

AT-146-1 42095122900 LOWER,MITSUBUSHI KK-FE53EBX6K2

PO1000127-01 INDICATION PLATES

PW1000109-01 ACCESSORIES & TOOLS

PX2000112-00 CARRIER UNIT

PX3000099-00 MOUNTING UNIT

PY1000680-01 OPTIONS,1

PY2000036-00 OPTIONS,2

ASSEMBLY

CLICK HERE TO **DOWNLOAD** THE COMPLETE MANUAL

- Thank you very much for reading the preview of the manual.
- You can download the complete manual from: www.heydownloads.com by clicking the link below



- Please note: If there is no response to CLICKING the link, please download this PDF first and then click on it.

CLICK HERE TO **DOWNLOAD** THE COMPLETE MANUAL

AT-146-1 42095122900 LOWER,MITSUBUSHI KK-FE53EBX6K2

Pos No.	Parts No	Parts Name	Qty	Unit	Technical Data	Serial No (Start)	Serial No (End)
1	(*****)	LAMP (O/R CONTROL PANEL)	1				
2	(*****)	LAMP (LEVEL)	1				
3	(*****)	LAMP (WORKING:BOOM REST LEFT)	1				
4	(*****)	LAMP (BOOM,WORKING)	1				
5	(*****)	LAMP (BOOM,WORKING)	1				
6	(*****)	BOX,TOOL (MOUNT,BOOM LEFT SIDE)	1				
7	(*****)	POWER SOURCE (24V)	1				
13	(*****)	REFLECTOR	1				
14	(*****)	OUTRIGGER	1				
15	(*****)	POWER SUPPLY (HYDRAULIC OUTLET)	1				
	(*****)	POWER SUPPLY (HYDR. OUTLET/WITH BOOST)	1				
18	(*****)	BOOSTER (HYDRAURIC OUTLET:L,STD)	1				
	(*****)	BOOSTER (HYDRAURIC OUTLET:B)	1				
20	(*****)	MOUNT,SUPPORT (BOOM SIDE,JIB STOWING)	1				
21	(*****)	VIEW SYSTEM (MONITER,YONDEN/MITSUBISHI)	1				
	(*****)	VIEW SYSTEM (MONITOR,YONDEN/MITHUBISHI)	1				
	(*****)	VIEW SYSTEM (MONITOR:ICHIKOH/TOYOTA)	1				
	(*****)	VIEW SYSTEM (MONITOR:ICHIKOH/MITSUBISHI)	1				2273
	(*****)	VIEW SYSTEM (MONITOR:CLARION/TOYOTA)	1				
	(*****)	VIEW SYSTEM (COLOR MONITOR:ICHIKOH/HINO)	1				
	(*****)	VIEW SYSTEM (MONITOR:ICHIKOH/MITSUBISHI)	1				
	(*****)	VIEW SYSTEM(COLOR MONITOR:ICHIKOH/ISUZU)	1				
	(*****)	VIEW SYSTEM (MONITOR:CLARION/MITHUBSHI)	1				
	(*****)	VIEW SYSTEM (MONITOR:ICHIKOH/MITSUBISHI)	1			227342	
22	(*****)	VIEW SYSTEM (CAMERA,FOR YONDEN)	1				
	(*****)	VIEW SYSTEM (CAMERA/CLARION)	1				
	(*****)	VIEW SYSTEM (CAMERA/ICHIKOH)	1				
23	(*****)	MOUNT,SUPPORT (COLOR CONE)	1				
25	(*****)	REEL,CORD (CONNECTOR WF7330/YONDENKOU)	1				
26	(*****)	LAMP (BOX,TOOL/YONDEN)	1				

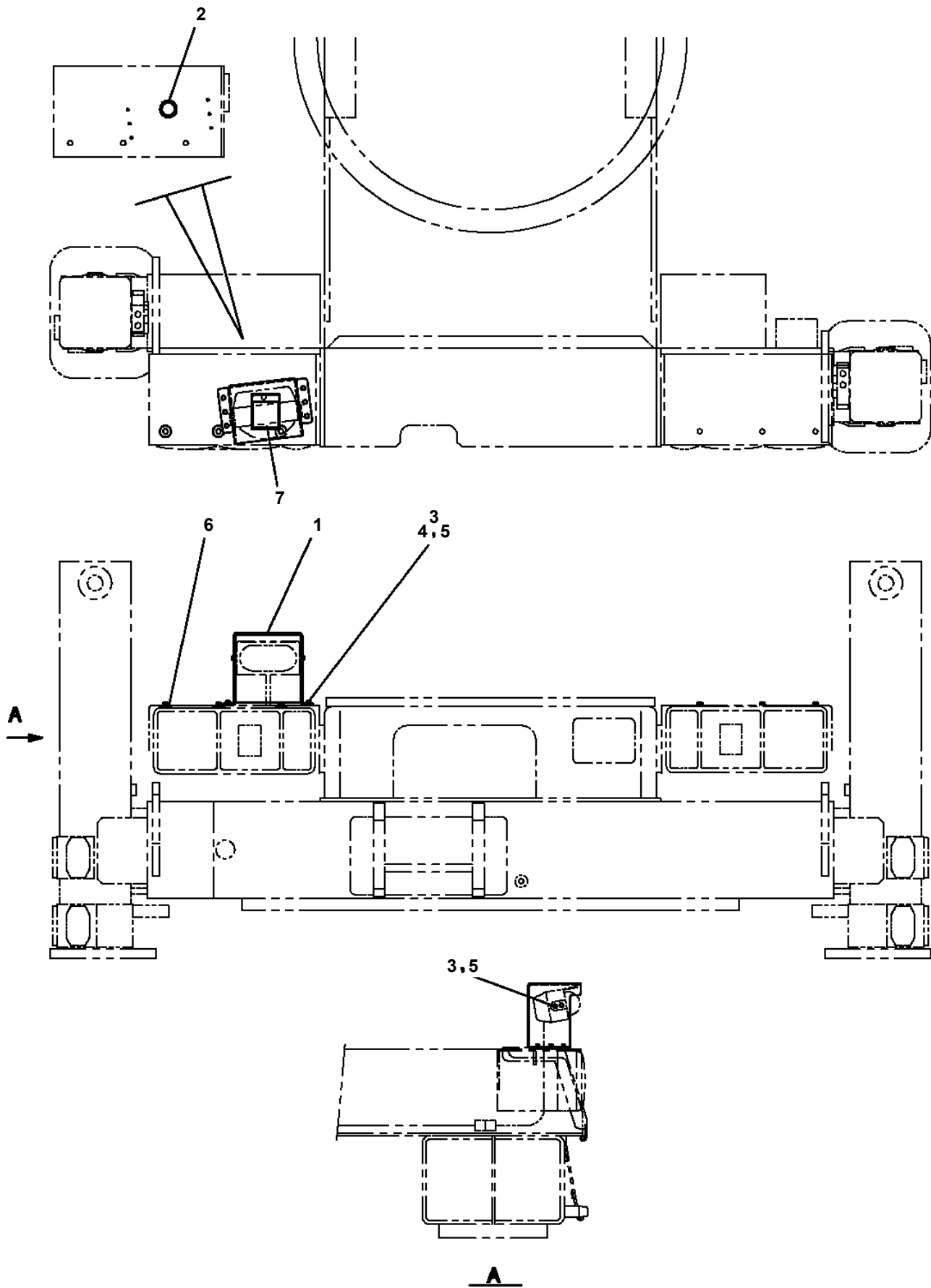
AT-146-1 42095122900 LOWER,MITSUBUSHI KK-FE53EBX6K2

Pos No.	Parts No	Parts Name	Qty	Unit	Technical Data	Serial No (Start)	Serial No (End)	Remarks	Pages
3	90302040601	WASHER,SPRING	1		6				
4	90201200600	NUT	1		M6				
6	37000504100	SUPPORT	1				227364		
7	90303070801	WASHER,PLAIN	2		8				
10	42790801000	SUPPORT	1			227370			
22	36401630000	POWER TAKE OFF	1				227369		00000
23	36401630001	POWER TAKE OFF	1			227370			00000

AT-146-1 42095122900 LOWER,MITSUBUSHI KK-FE53EBX6K2

Pos No.	Parts No	Parts Name	Qty	Unit	Technical Data	Serial No (Start)	Serial No (End)	
117	82105220112	SWITCH,TOGGLE	1					
121	91002801400	O-RING	1		1B P14			
134	82100002486	LAMP,PILOT	1					

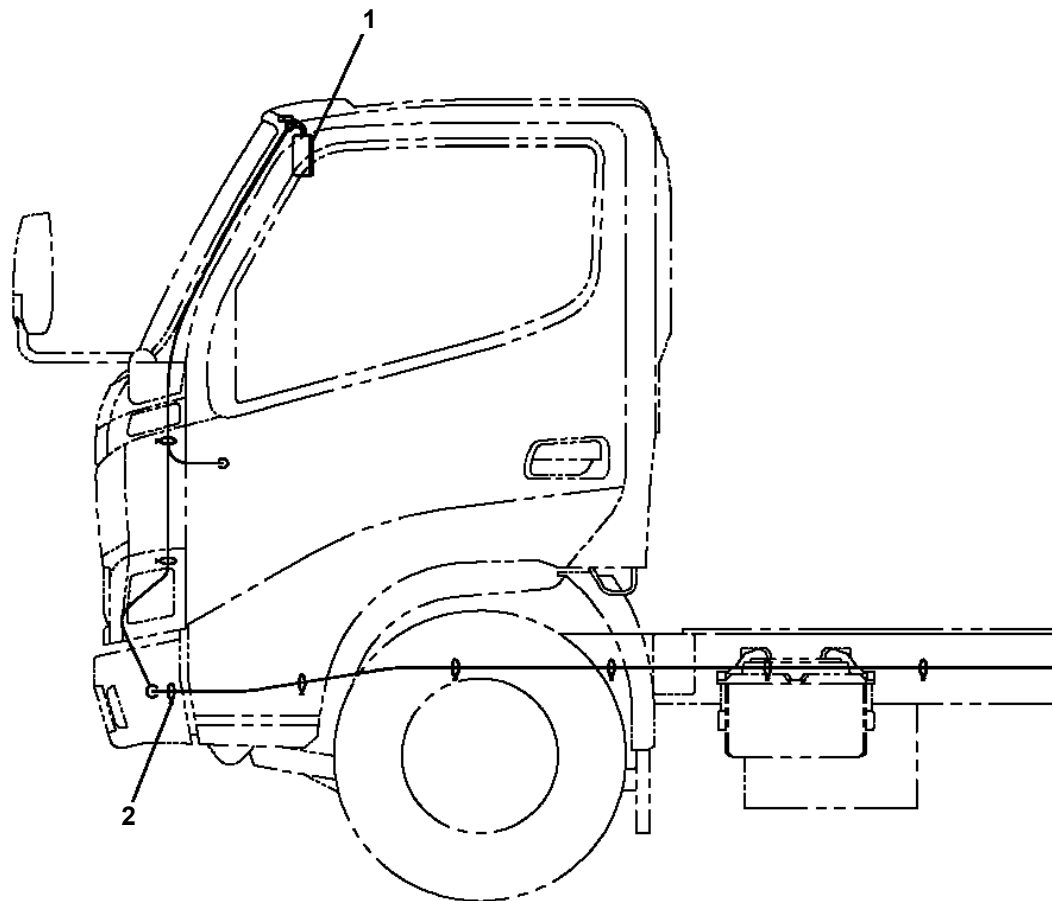
AT-146-1 42095122900 LOWER, MITSUBISHI KK-FE53EBX6K2
PH1700131-00 VIEW SYSTEM (CAMERA, FOR YONDEN)



AT-146-1 42095122900 LOWER,MITSUBUSHI KK-FE53EBX6K2

Pos No.	Parts No	Parts Name	Qty	Unit	Technical Data	Serial No (Start)	Serial No (End)	Remarks	P
1	42738382100	SUPPORT	1						
2	91810130240	FASTENER	20						
3	90101206016	BOLT	4		M6X16				
4	90302040601	WASHER,SPRING	6		6				
5	90201200600	NUT	4		M6				
6	90101206012	BOLT	2		M6X12				
7	42351280010	PLUG	1						
8	44350230400	PLUG (8 POLES,MALE)	1						

**AT-146-1 42095122900 LOWER, MITSUBISHI KK-FE53EBX6K2
PH1700166-00 VIEW SYSTEM (COLOR MONITOR: ICHIKOH/HINO)**



AT-146-1 42095122900 LOWER,MITSUBUSHI KK-FE53EBX6K2

Pos No.	Parts No	Parts Name	Qty	Unit	Technical Data	Serial No (Start)	Serial No (End)	Remarks	Pages
1	42737864000	VIEW SYSTEM	1						
2	90105225012	BOLT	1		1/4-20UNC L=12				
3	90303070601	WASHER,PLAIN	1		6				
4	42739211100	SUPPORT	1						
5	90101206016	BOLT	6		M6X16				
6	90302040601	WASHER,SPRING	6		6				
7	42739211200	SUPPORT	1						
8	42739211300	PLATE	2						
9	82400000202	GROMMET	1						
10	80172304010	SCREW,MACHINE	2		M4X10				
11	90201200400	NUT	2		M4				
12	90302040401	WASHER,SPRING	2		4				
13	90303070401	WASHER,PLAIN	2		4				
14	82100000192	TERMINAL	4						
15	82100000182	INSULATOR	4						
16	82100000191	TERMINAL	4						
17	82100000183	INSULATOR	4						
18	91810130240	FASTENER	20						

AT-146-1 42095122900 LOWER,MITSUBUSHI KK-FE53EBX6K2

Pos No.	Parts No	Parts Name	Qty	Unit	Technical Data	Serial No (Start)	Serial No (End)	Remarks	Pages
100	42475540010	HARNESS	1						

AT-146-1 42095122900 LOWER,MITSUBUSHI KK-FE53EBX6K2

Pos No.	Parts No	Parts Name	Qty	Unit	Technical Data	Serial No (Start)	Serial No (End)	Remarks	Pages
100	42960121400	HARNESS	1						

AT-146-1 42095122900 LOWER,MITSUBUSHI KK-FE53EBX6K2

Pos No.	Parts No	Parts Name	Qty	Unit	Technical Data	Serial No (Start)	Serial No (End)	Remarks	Pages
3	16025153030	SPRING	1						
4	91000501500	O-RING	1		AS568-015				
5	91002802200	O-RING	1		1B P22				
6	91002801001	O-RING	1		1B P10A				
10	16025153020	SPRING	1						
14	91001001600	O-RING	2		1A S16				
30	36604750000	VALVE,RELIEF	1						

AT-146-1 42095122900 LOWER,MITSUBUSHI KK-FE53EBX6K2

Pos No.	Parts No	Parts Name	Qty	Unit	Technical Data	Serial No (Start)	Serial No (End)	Remark
2	90101208020	BOLT	4		M8X20		227633	
	90101208014	BOLT	4		M8X14	227634		
3	90302040801	WASHER,SPRING	4		8			
4	90201200800	NUT	4		M8		227633	
5	42714372000	HARNES	1					
6	91810130240	FASTENER	10					
7	42714630100	SUPPORT	1				227633	
	42714640100	SUPPORT	1			227634		
8	90101210018	BOLT	2		M10X18			
9	90302041001	WASHER,SPRING	2		10			
10	82100002006	CLAMP	1		WR10			
11	90101206012	BOLT	1		M6X12			
12	90302040601	WASHER,SPRING	1		6			
13	42713630400	HARNES	1		L=2060			
31	42714371101	SUPPORT	1					
32	42714371201	COVER	1					
33	90101206012	BOLT	7		M6X12			
34	90302040601	WASHER,SPRING	9		6			
35	42714371400	MOTOR ASSY (ASSY ONLY)	1					
36	90101208035	BOLT	2		M8X35			
37	90201200800	NUT	2		M8			
38	90302040801	WASHER,SPRING	2		8			
39	37000105720	PIN	1					
40	80136320010	PIN,SPLIT	1		2X10			
41	90303070601	WASHER,PLAIN	1		6			
42	82100002006	CLAMP	1		WR10			
43	90201200600	NUT	2		M6			
44	42714491100	SUPPORT	1					
45	90101206025	BOLT	2		M6X25			
46	90303070801	WASHER,PLAIN	2		8			

CLICK HERE TO **DOWNLOAD** THE COMPLETE MANUAL

- Thank you very much for reading the preview of the manual.
- You can download the complete manual from: www.heydownloads.com by clicking the link below



- Please note: If there is no response to CLICKING the link, please download this PDF first and then click on it.

CLICK HERE TO **DOWNLOAD** THE COMPLETE MANUAL

AT-146-1 42095122900 LOWER,MITSUBUSHI KK-FE53EBX6K2

Pos No.	Parts No	Parts Name	Qty	Unit	Technical Data	Serial No (Start)	Serial No (End)	Rem
1	82100002253	LAMP	1					
2	80176304016	SCREW,MACHINE	2		M4X16			
3	42738200100	SWITCH ASSY	1					
4	42738270010	PLATE,NAME	1					
5	82197518119	CAP (PLUS ONE MFG./BLACK)	1					
	82197518114	CAP (MATSUSHITA/BLACK)	1					
6	82100000711	CLAMP	5					
7	90302040401	WASHER,SPRING	2		4			
8	90303070401	WASHER,PLAIN	2		4			
9	90201200400	NUT	2		M4			
21	82100000783	BULB,LAMP	1		24V 12W			
37	82105220112	SWITCH,TOGGLE	1					

AT-146-1 42095122900 LOWER,MITSUBUSHI KK-FE53EBX6K2

Pos No.	Parts No	Parts Name	Qty	Unit	Technical Data	Serial No (Start)	Serial No (End)	Remarks	Pages
1	42940060010	PLATE,NAME	1						
2	37002224450	PLATE,NAME	1						

AT-146-1 42095122900 LOWER,MITSUBUSHI KK-FE53EBX6K2

Pos No.	Parts No	Parts Name	Qty	Unit	Technical Data	Serial No (Start)	Serial No (End)	Rem
1	42460015010	BAG,TOOL	1					
2	91991510003	HEXAGON BARWRENCH (G3)	1					
3	91991510004	HEXAGON BARWRENCH (G4)	1					
4	91991510005	HEXAGON BARWRENCH (G5)	1					
5	91991510006	HEXAGON BARWRENCH (G6)	1					
6	91991510008	HEXAGON BARWRENCH (G8)	1					
7	91991510010	HEXAGON BARWRENCH (G10)	1					
8	91991310024	SPANNER	1		24			
50	42473401000	TOOLS	1					

AT-146-1 42095122900 LOWER,MITSUBUSHI KK-FE53EBX6K2

Pos No.	Parts No	Parts Name	Qty	Unit	Technical Data	Serial No (Start)	Serial No (End)	Remarks	Pages
1	42874141000	SUPPORT ASSY	1						
2	42872001100	CUSHION	1						
3	80182308016	SCREW,MACHINE	4		M8X16				
4	90171114035	BOLT	4		M14X35				
5	90302041401	WASHER,SPRING	4		14				
6	90302040801	WASHER,SPRING	4		8				

AT-146-1 42095122900 LOWER,MITSUBUSHI KK-FE53EBX6K2

Pos No.	Parts No	Parts Name	Qty	Unit	Technical Data	Serial No (Start)	Serial No (End)
1	42731680000	WOOD BLOCK (WITH RUBBER,T=80)	1				

AT-146-1 42095122900 LOWER,MITSUBUSHI KK-FE53EBX6K2

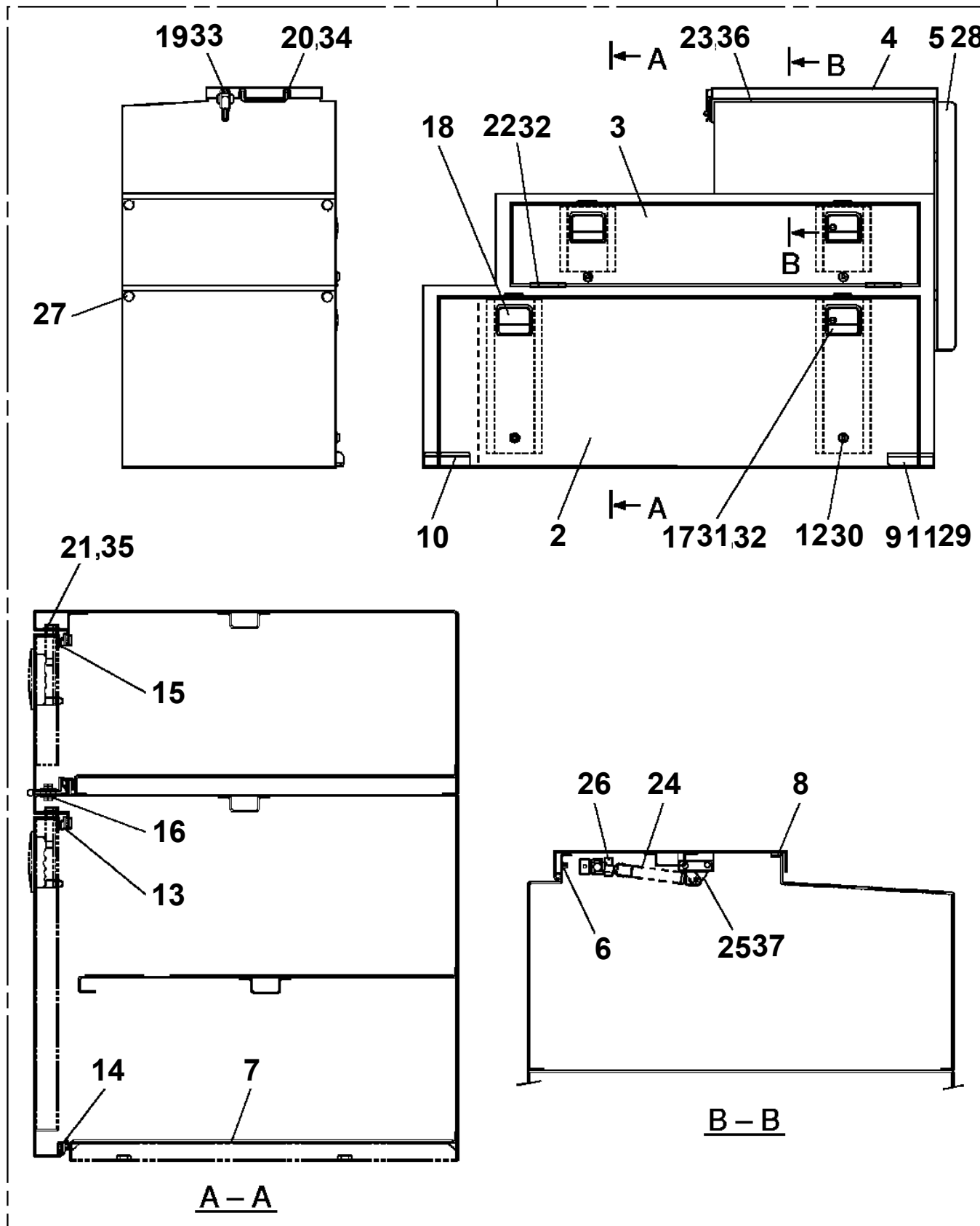
Pos No.	Parts No	Parts Name	Qty	Unit	Technical Data	Serial No (Start)	Serial No (End)	Remark
1	91810130240	FASTENER	10					
2	90186208014	BOLT,FLANGE	8		M8X14			
3	42807270100	SUPPORT	1					
4	42807270200	SUPPORT	1					
5	90186206016	BOLT,FLANGE	6		M6X16			
6	90280200800	NUT,FLANGE	2		M8			
7	42807270300	SUPPORT	1				227848	
	42809190100	SUPPORT	1			227849		
8	42895690100	HARNESS	1		L=1000		227744	
	42808000200	HARNESS	1			227745		
9	42895690200	HARNESS	1		L=1000		227536	
10	82111101510	TERMINAL	2			227745		
11	82121101050	PLUG (BLACK/AV0.3 TO 0.5)	4			227745		
12	82111101010	TERMINAL	2			227745		
13	82114102020	CONNECTOR	1			227745		
14	82121102020	HOLDER	2			227745		
15	82114101020	CONNECTOR (2P,MALE)	1			227745		

AT-146-1 42095122900 LOWER,MITSUBUSHI KK-FE53EBX6K2

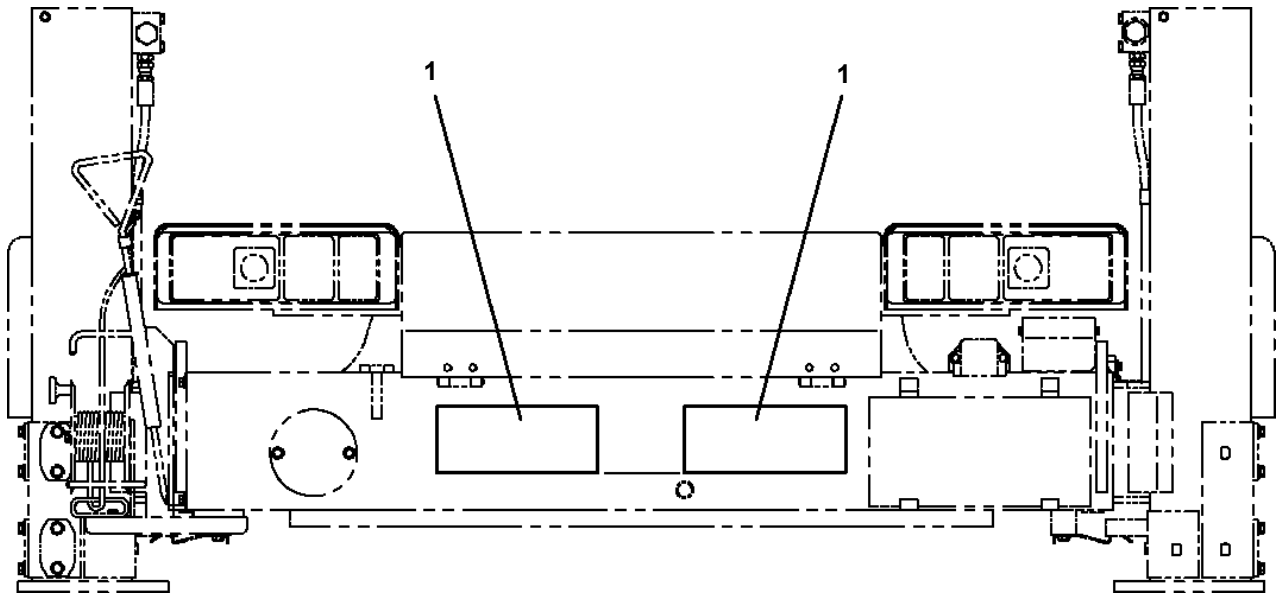
Pos No.	Parts No	Parts Name	Qty	Unit	Technical Data	Serial No (Start)	Serial No (End)	Remarks	Page
1	42833781000	BOX,TOOL (RIGHT)	1						00008
2	90101210025	BOLT	6		M10X25				
3	90302041001	WASHER,SPRING	6		10				
5	37000505950	PLATE	6		T=3.2				
21	42394484020	PLATE (NON-SLIP)	3						
22	42833782010	PLATE (NON-SLIP)	3						
23	42833782020	PLATE (NON-SLIP)	1						

AT-146-1 42095122900 LOWER, MITSUBUSHI KK-FE53EBX6K2
PX1350501-00 BOX, TOOL

100

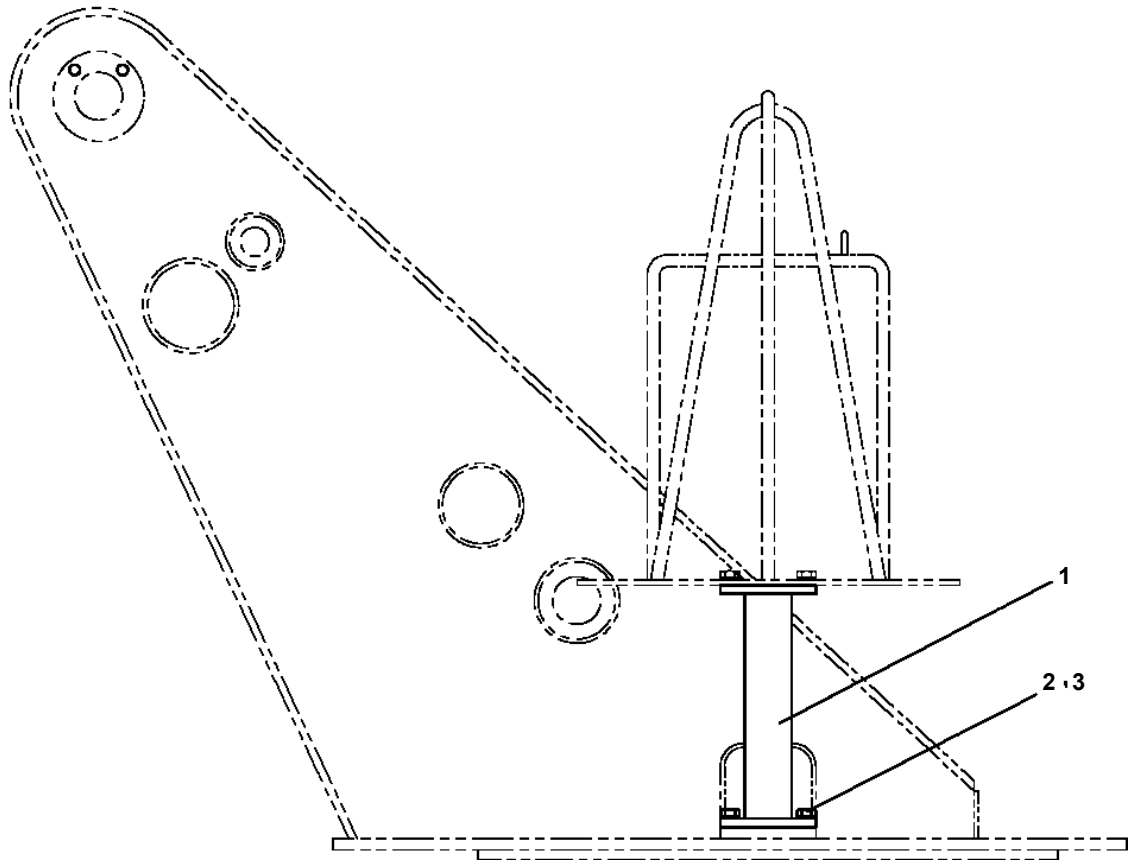


AT-146-1 42095122900 LOWER, MITSUBISHI KK-FE53EBX6K2
PX1360040-00 REFLECTOR



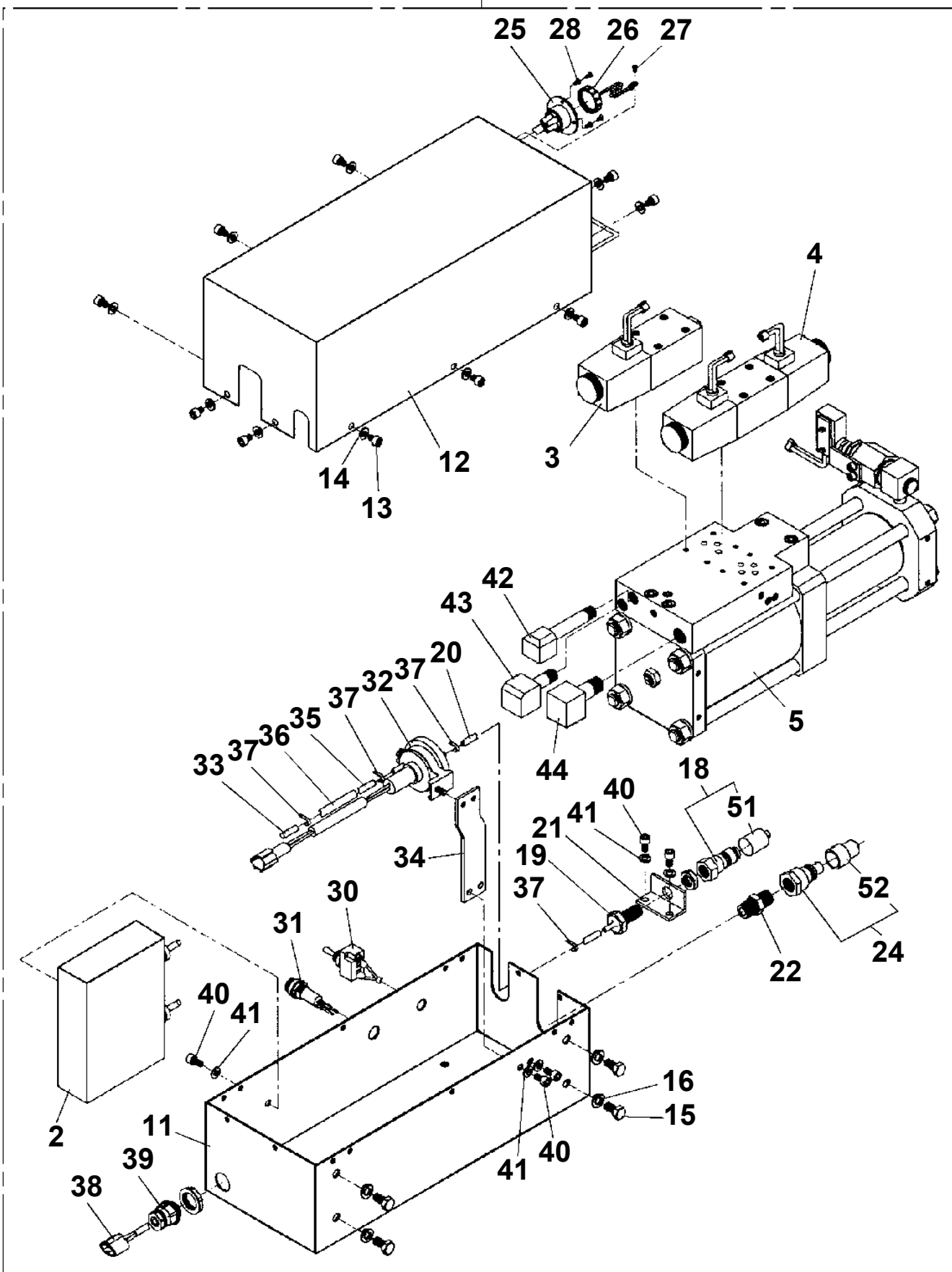
**AT-146-1 42095122900 LOWER, MITSUBUSHI KK-FE53EBX6K2
PX1810179-00 MOUNT, SUPPORT (COLOR CONE)**

→ FRONT

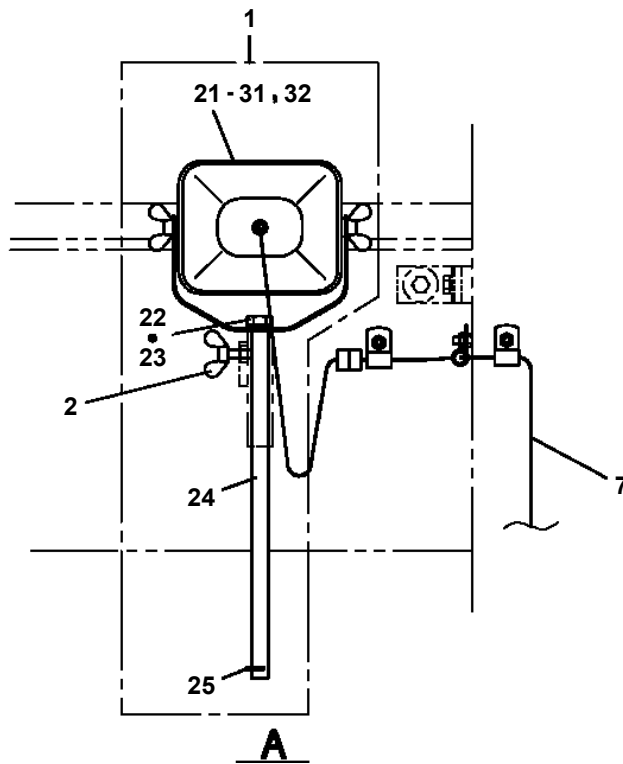
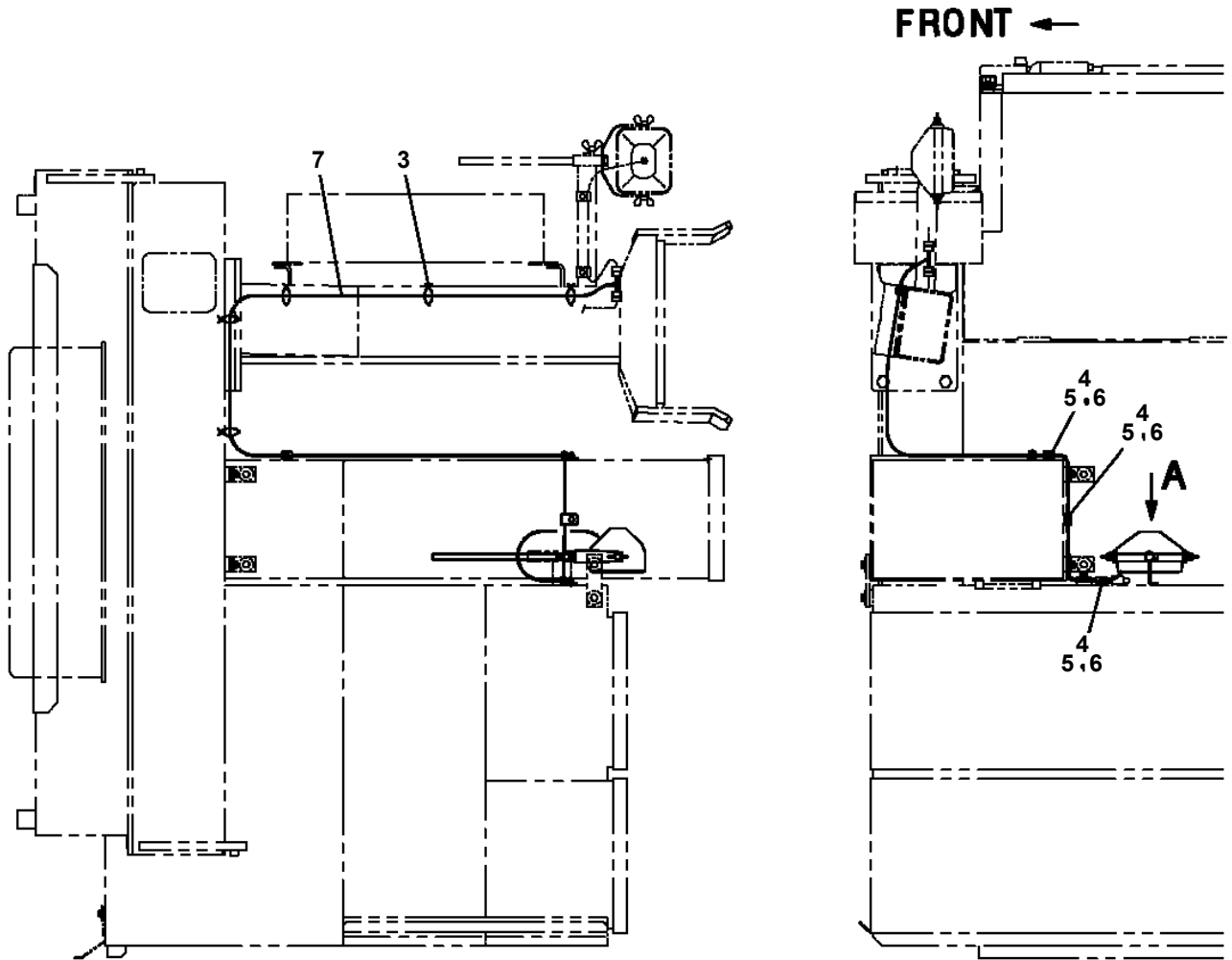


AT-146-1 42095122900 LOWER, MITSUBISHI KK-FE53EBX6K2
PY1170026-01 BOOSTER

50

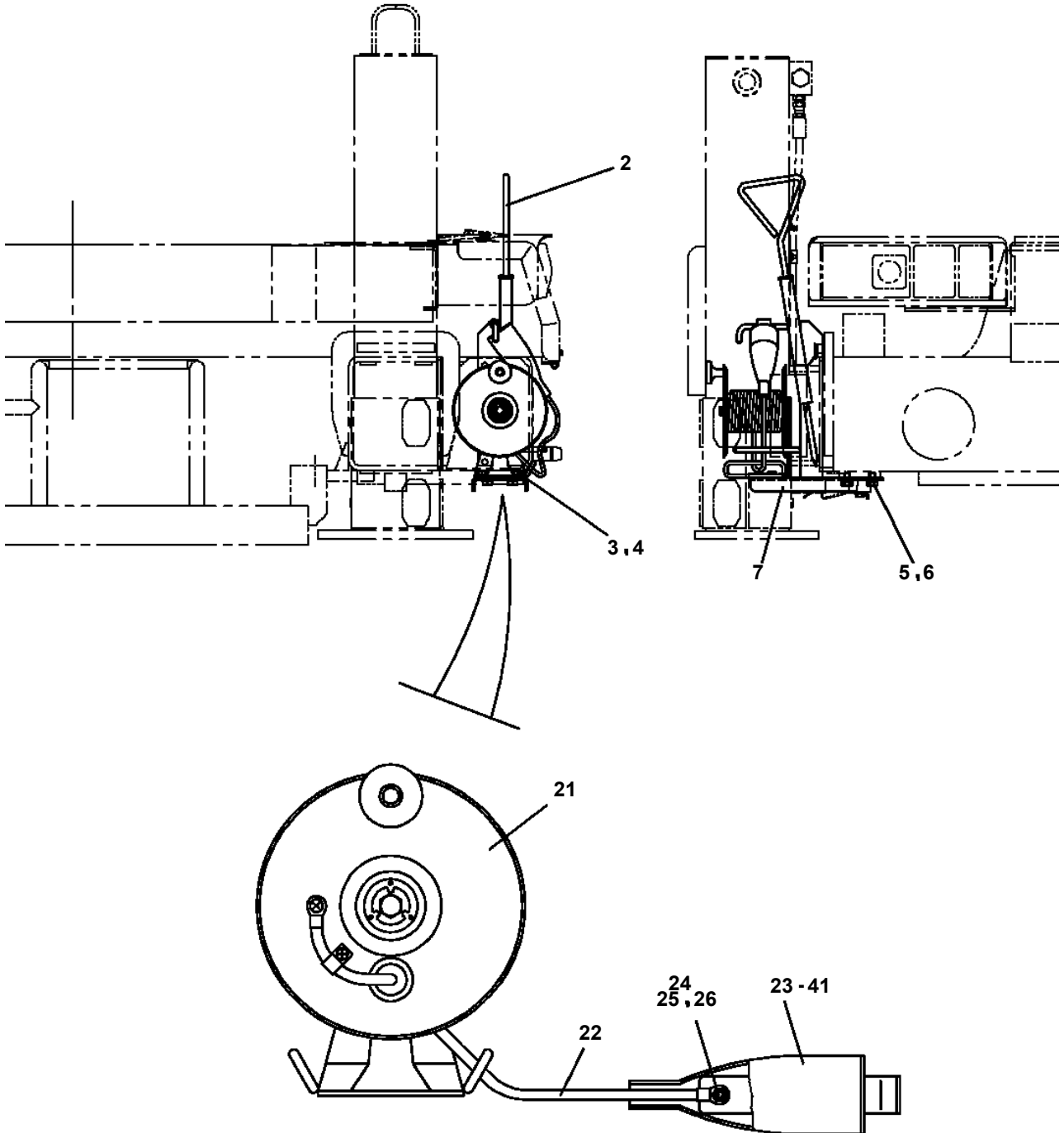


AT-146-1 42095122900 LOWER, MITSUBISHI KK-FE53EBX6K2
PY1180304-00 LAMP (BOX, TOOL/YONDEN)



AT-146-1 42095122900 LOWER, MITSUBISHI KK-FE53EBX6K2
PY1650081-00 EARTHING DEVICE

FRONT ←



CLICK HERE TO **DOWNLOAD** THE COMPLETE MANUAL

- Thank you very much for reading the preview of the manual.
- You can download the complete manual from: www.heydownloads.com by clicking the link below



- Please note: If there is no response to CLICKING the link, please download this PDF first and then click on it.

CLICK HERE TO **DOWNLOAD** THE COMPLETE MANUAL