

**AT-145-1 42043260100 LOWER,TOYOTA KC-FB4JCA-AC3**

PO1000131-03 INDICATION PLATES

PX2000250-00 CARRIER UNIT

PX3000175-00 MOUNTING UNIT

PY1000802-00 OPTIONS,1

ASSEMBLY

CLICK HERE TO **DOWNLOAD** THE COMPLETE MANUAL

- Thank you very much for reading the preview of the manual.
- You can download the complete manual from: [www.heydownloads.com](http://www.heydownloads.com) by clicking the link below



- Please note: If there is no response to CLICKING the link, please download this PDF first and then click on it.

CLICK HERE TO **DOWNLOAD** THE COMPLETE MANUAL

**AT-145-1 42043260100 LOWER,TOYOTA KC-FB4JCA-AC3**

PY1650064-01 EARTHING DEVICE (CLIP TYPE 8X20M)

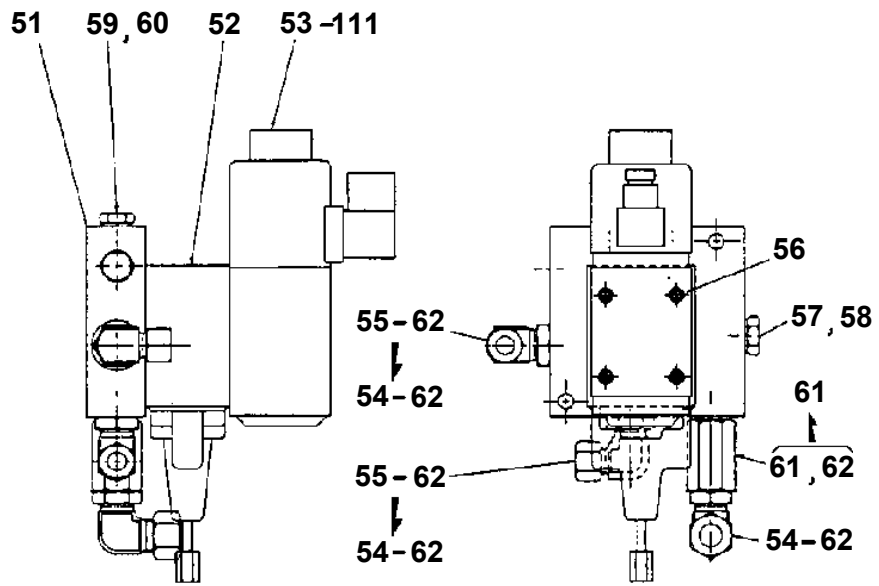
PY1930004-00 BLOCK,RUBBER (WAZUMI)

PY1930005-00 BLOCK,RUBBER (NAKAMURA)

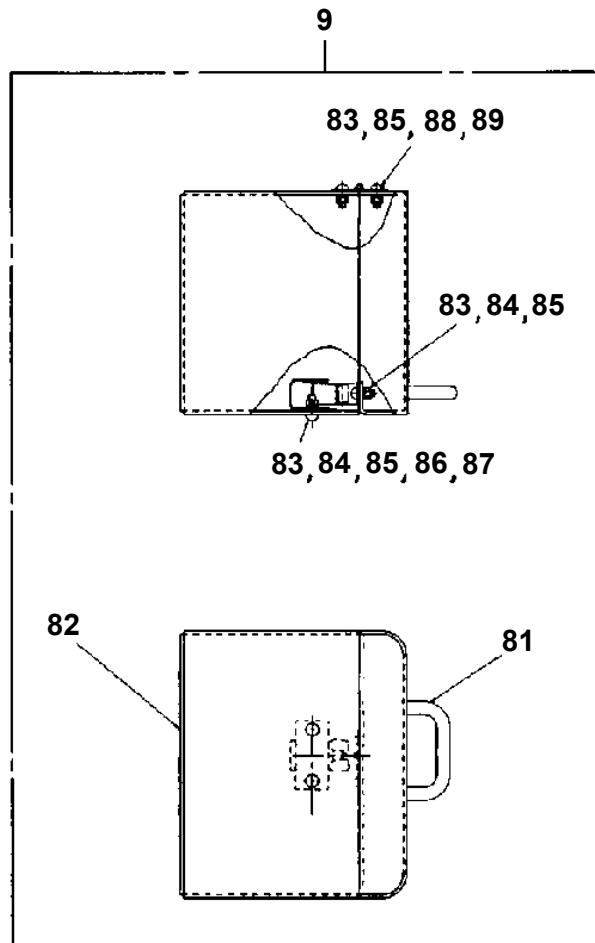
PY2340005-00 PLATE (FLOAT)

PY2350003-01 SWITCH,BOOSTER

**AT-145-1 42043260100 LOWER, TOYOTA KC-FB4JCA-AC3  
PB1380064-00 POWER SUPPLY (WITH BOOSTER, OPTION)**



B



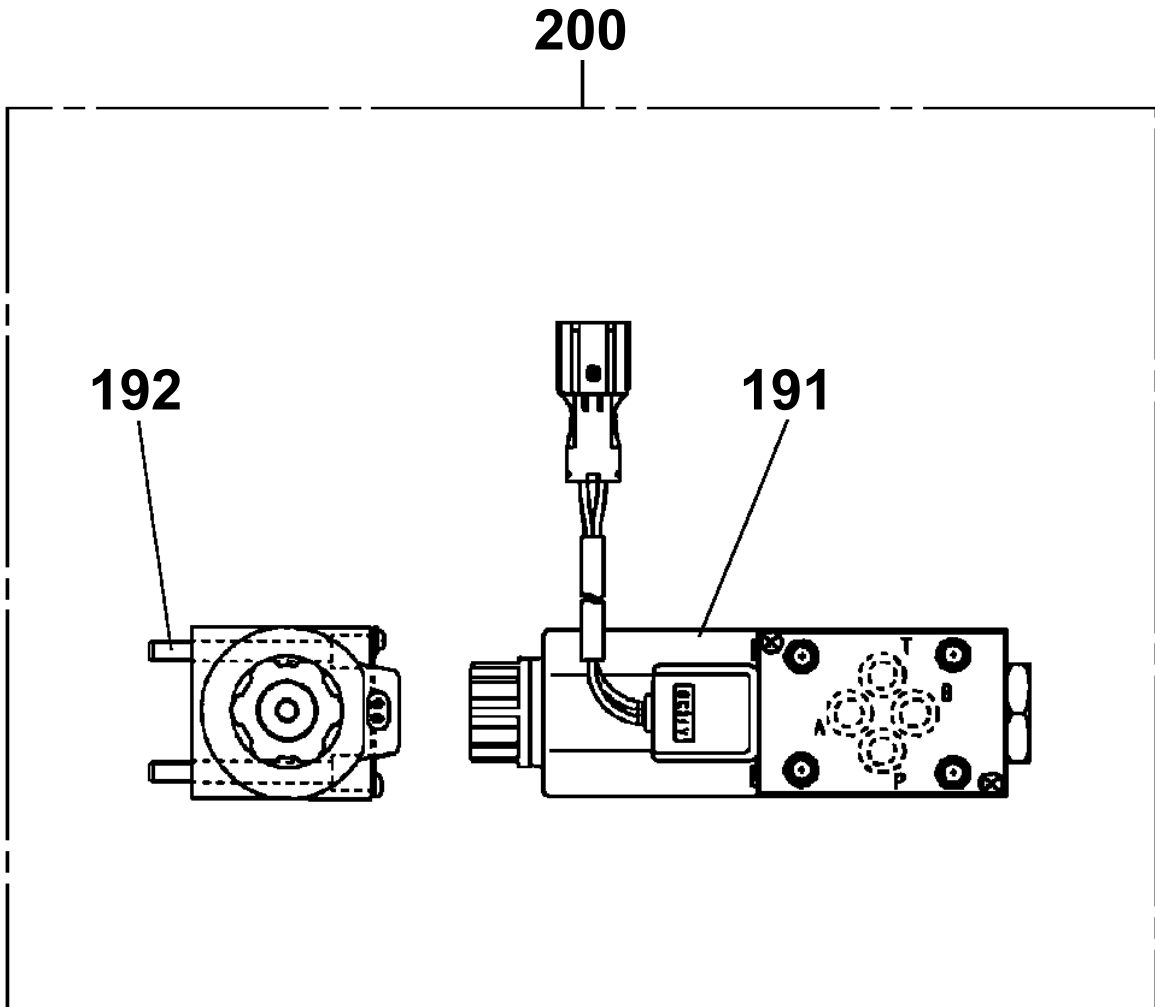
# AT-145-1 42043260100 LOWER,TOYOTA KC-FB4JCA-AC3

Pos No.	Parts No	Parts Name	Qty	Unit	Technical Data	Serial No (Start)	Serial No (End)	Remarks	Pages
1	90201202400	NUT	1		M24				
2	90302042401	WASHER,SPRING	1		24				
3	91684006000	PACKING	2						
4	91431205001	RING,BACKUP	2						
5	91002802100	O-RING	1		1B P21				
6	91302206000	BEARING,PLAIN	2						
7	36030590060	PISTON	1						
8	36034280011	ROD	1						
9	36034280101	CYLINDER	1						
10	91002905500	O-RING	1		1B G55				
11	91694004000	PACKING	1						
12	91410204001	RING,BACKUP	1						
13	91660004001	SEAL,DUST	1						
14	36032910030	COVER,ROD	1						
30	36034289901	PACKING SET	1		40X60				
50	36034280001	CYLINDER,JACK	1						

# AT-145-1 42043260100 LOWER,TOYOTA KC-FB4JCA-AC3

Pos No.	Parts No	Parts Name	Qty	Unit	Technical Data	Serial No (Start)	Serial No (End)	Remarks	Pages
100	42612141110	HARNESS	1						

AT-145-1 42043260100 LOWER,TOYOTA KC-FB4JCA-AC3  
PI1120150-02 VALVE,SOLENOID



# AT-145-1 42043260100 LOWER,TOYOTA KC-FB4JCA-AC3

Pos No.	Parts No	Parts Name	Qty	Unit	Technical Data	Serial No (Start)	Serial No (End)	Remarks	Page
2	36641687510	PLUG	1						
4	36641687520	RETAINER (A)	2				229651		
	36641687520	RETAINER (A)	1			229652			
5	36641687530	RETAINER (B)	2				229651		
	36641687530	RETAINER (B)	1			229652			
6	36641687540	RETAINER (C)	1				229651		
7	36640175040	SPACER	4						
8	36641687550	SPRING (A)	1						
9	36641687560	SPRING (C)	1				229651		
10	36642915020	NUT	1						
11	36641687570	ROD	1						
12	36648285010	GUIDE (SOLENOID)	1				229651		
	36740455010	GUIDE (SOLENOID)	1			229652			
13	36646375050	COIL,SOLENOID	1						
16	91000501200	O-RING	4						
17	91001102000	O-RING	1		1A P20		229651		
	36740455020	O-RING	1			229652			
18	91002801800	O-RING	2		1B P18				
19	91001002500	O-RING	1		S25		229651		
	36740455040	O-RING	1			229652			
36	36740075020	PIN,SPRING	1			229652			
50	36648281000	VALVE,SOLENOID	1						

CLICK HERE TO **DOWNLOAD** THE COMPLETE MANUAL

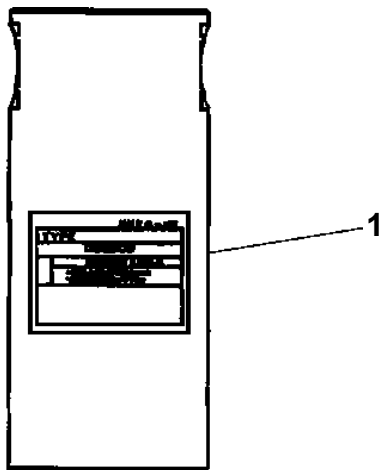
- Thank you very much for reading the preview of the manual.
- You can download the complete manual from: [www.heydownloads.com](http://www.heydownloads.com) by clicking the link below



- Please note: If there is no response to CLICKING the link, please download this PDF first and then click on it.

CLICK HERE TO **DOWNLOAD** THE COMPLETE MANUAL

**AT-145-1 42043260100 LOWER,TOYOTA KC-FB4JCA-AC3  
PI1340005-00 ACCUMULATOR**



# AT-145-1 42043260100 LOWER,TOYOTA KC-FB4JCA-AC3

Pos No.	Parts No	Parts Name	Qty	Unit	Technical Data	Serial No (Start)	Serial No (End)	Remarks	Pages
1	42942691020	PLATE,CAUTION	2						

**AT-145-1 42043260100 LOWER,TOYOTA KC-FB4JCA-AC3**

Pos No.	Parts No	Parts Name	Qty	Unit	Technical Data	Serial No (Start)	Serial No (End)	Rem
1	42460015010	BAG,TOOL	1					
2	91991510003	HEXAGON BARWRENCH (G3)	1					
3	91991510004	HEXAGON BARWRENCH (G4)	1					
4	91991510005	HEXAGON BARWRENCH (G5)	1					
5	91991510006	HEXAGON BARWRENCH (G6)	1					
6	91991510008	HEXAGON BARWRENCH (G8)	1					
7	91991510010	HEXAGON BARWRENCH (G10)	1					
8	91991310024	SPANNER	1		24			
50	42473401000	TOOLS	1					

**AT-145-1 42043260100 LOWER,TOYOTA KC-FB4JCA-AC3**

Pos No.	Parts No	Parts Name	Qty	Unit	Technical Data	Serial No (Start)	Serial No (End)	Remarks	Pages
1	90101210018	BOLT	8		M10X18				
2	90302041001	WASHER,SPRING	8		10				
3	90303071001	WASHER,PLAIN	2		10				
4	90201201000	NUT	6		M10				
5	42694260100	FENDER	1						
6	42694260200	FENDER	1						
7	42692270700	FENDER	1						
8	42694260300	FENDER	1						
9	42694260400	FENDER	1						
10	42692270800	FENDER	1						
11	90101212022	BOLT	14		M12X22				
12	90302041201	WASHER,SPRING	14		12				
13	90101208018	BOLT	6		M8X18				
14	90302040801	WASHER,SPRING	6		8				
15	42693800500	SUPPORT	1						

# AT-145-1 42043260100 LOWER,TOYOTA KC-FB4JCA-AC3

Pos No.	Parts No	Parts Name	Qty	Unit	Technical Data	Serial No (Start)	Serial No (End)	Remarks	Pages
1	42772680100	GUARD,SIDE	1						
2	42772680200	STEP	1						
3	42772680300	GUARD,SIDE	1						
4	42772680400	GUARD,SIDE	1						
5	42772680500	SUPPORT	1						
6	37000521610	PLATE	1						
7	90302041001	WASHER,SPRING	6		10				
8	90101210025	BOLT	4		M10X25				
9	90201201000	NUT	2		M10				
10	90303071001	WASHER,PLAIN	2		10				
11	90101210035	BOLT	2		M10X35				
33	56360013000	PLATE	1						
	56360013000	PLATE	1				226976		
34	90101210025	BOLT	4		M10X25				
35	90302041001	WASHER,SPRING	8		10				
42	90101210020	BOLT	2		M10X20				
51	90101210016	BOLT	2		M10X16				

# AT-145-1 42043260100 LOWER,TOYOTA KC-FB4JCA-AC3

Pos No.	Parts No	Parts Name	Qty	Unit	Technical Data	Serial No (Start)	Serial No (End)	Remarks	Page
1	42832971000	BOX,TOOL (RIGHT)	1						00005
2	42832182002	BOX,TOOL (LEFT)	1						00005
3	42832970100	STEP	1						
4	42832970200	LADDER	1						
5	90101210025	BOLT	13		M10X25				
6	90302041001	WASHER,SPRING	22		10				
7	90303071001	WASHER,PLAIN	7		10				
8	37000505950	PLATE	9		T=3.2				
9	90101212022	BOLT	4		M12X22				
10	90302041201	WASHER,SPRING	4		12				
11	90201201000	NUT	4		M10				
12	90101210018	BOLT	2		M10X18				
13	42832970301	GUARD	1						
14	90101208012	BOLT	9		M8X12				
15	90302040801	WASHER,SPRING	11		8				
16	42832970401	SUPPORT	1						
17	42832180200	SUPPORT	2						
18	90201200800	NUT	2		M8				
19	42832650200	SUPPORT	2						
20	90303070801	WASHER,PLAIN	6		8				
21	90101208016	BOLT	2		M8X16				
22	56360013000	PLATE	1						
23	90101210030	BOLT	7		M10X30				

**AT-145-1 42043260100 LOWER,TOYOTA KC-FB4JCA-AC3**

Pos No.	Parts No	Parts Name	Qty	Unit	Technical Data	Serial No (Start)	Serial No (End)	Remarks	Pages
1	42782840100	SUPPORT	2						
2	42782840200	SUPPORT	1						
3	82400000205	GROMMET	1						
4	90171110025	BOLT	12		M10X25				
5	90302041001	WASHER,SPRING	12		10				
6	90201201000	NUT	12		M10				
7	82459103000	NIPPLE,GREASE	1		C-PT1/8		226613		
	82459103000	NIPPLE,GREASE	5		C-PT1/8	226614			
8	37002512600	HOSE	2		L=800				
9	91803600160	CLIP	4		D=11-16				

# AT-145-1 42043260100 LOWER,TOYOTA KC-FB4JCA-AC3

Pos No.	Parts No	Parts Name	Qty	Unit	Technical Data	Serial No (Start)	Serial No
1	42474530100	LAMP ASSY	1				
2	90813108020	BOLT,WING	1		M8X20		
3	91810130240	FASTENER	5				
4	82100002002	CLAMP	7		WR6		
5	90201200600	NUT	7		M6		
6	90302040601	WASHER,SPRING	7		6		
7	42735480200	HARNESS	1				
8	90101206010	BOLT	1		M6X1.0		
31	82165904020	LAMP	1		24V 60W		
32	90101212020	BOLT	1		M12X20		
33	90302041201	WASHER,SPRING	1		12		
34	37000159530	PIN	1				
35	80620210160	PIN,SNAP	1				
40	82100000054	BULB,LAMP	1		24V 60W		
46	82100002838	SWITCH ASSY (WITH HARNESS,TERMINAL)	1				

CLICK HERE TO **DOWNLOAD** THE COMPLETE MANUAL

- Thank you very much for reading the preview of the manual.
- You can download the complete manual from: [www.heydownloads.com](http://www.heydownloads.com) by clicking the link below



- Please note: If there is no response to CLICKING the link, please download this PDF first and then click on it.

CLICK HERE TO **DOWNLOAD** THE COMPLETE MANUAL