

**AT-145-1 42043221000 LOWER,MITSUBISHI KC-FE538B6K**

PO1000131-03 INDICATION PLATES

PX2000250-00 CARRIER UNIT

PX3000172-00 MOUNTING UNIT

PY1000803-00 OPTIONS,1

PY1000807-00 OPTIONS,2

ASSEMBLY

CLICK HERE TO **DOWNLOAD** THE COMPLETE MANUAL

- Thank you very much for reading the preview of the manual.
- You can download the complete manual from: [www.heydownloads.com](http://www.heydownloads.com) by clicking the link below



- Please note: If there is no response to CLICKING the link, please download this PDF first and then click on it.

CLICK HERE TO **DOWNLOAD** THE COMPLETE MANUAL

**AT-145-1 42043221000 LOWER,MITSUBISHI KC-FE538B6K**

Pos No.	Parts No	Parts Name	Qty	Unit	Technical Data	Serial No (Start)	Serial No (End)
1	(*****)	LAMP (O/R FLICKER)	1				
2	42731680000	WOOD BLOCK (WITH RUBBER,T=80)	1				
	(*****)	WOOD BLOCK (W=350,H=80)	1				
3	(*****)	EARTHING DEVICE	1				
5	(*****)	STEP (FOR ENTRY INTO CAB)	1				

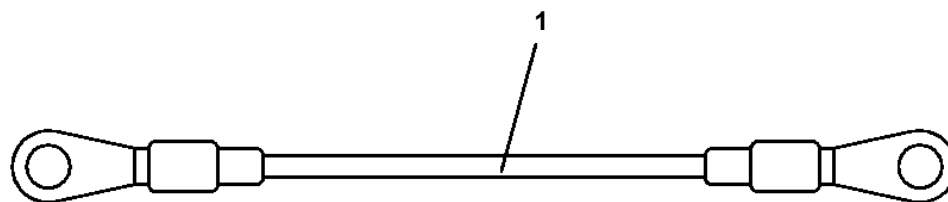
# AT-145-1 42043221000 LOWER,MITSUBISHI KC-FE538B6K

Pos No.	Parts No	Parts Name	Qty	Unit	Technical Data	Serial No (Start)	Serial No (End)	Remarks	Pages
1	42790800300	SUPPORT	1				226792		
2	36401420000	POWER TAKE OFF	1				226792		00000
3	90302040601	WASHER,SPRING	1						
4	90201200600	NUT	1		6 M6				
5	42790800400	SUPPORT	1				226792		
6	37000504100	SUPPORT	1				227364		
7	90303070801	WASHER,PLAIN	2		8	226793			
10	42790801000	SUPPORT	1			227370			
22	36401630000	POWER TAKE OFF	1			226793	227369		00000
23	36401630001	POWER TAKE OFF	1			227370			00000

# AT-145-1 42043221000 LOWER,MITSUBISHI KC-FE538B6K

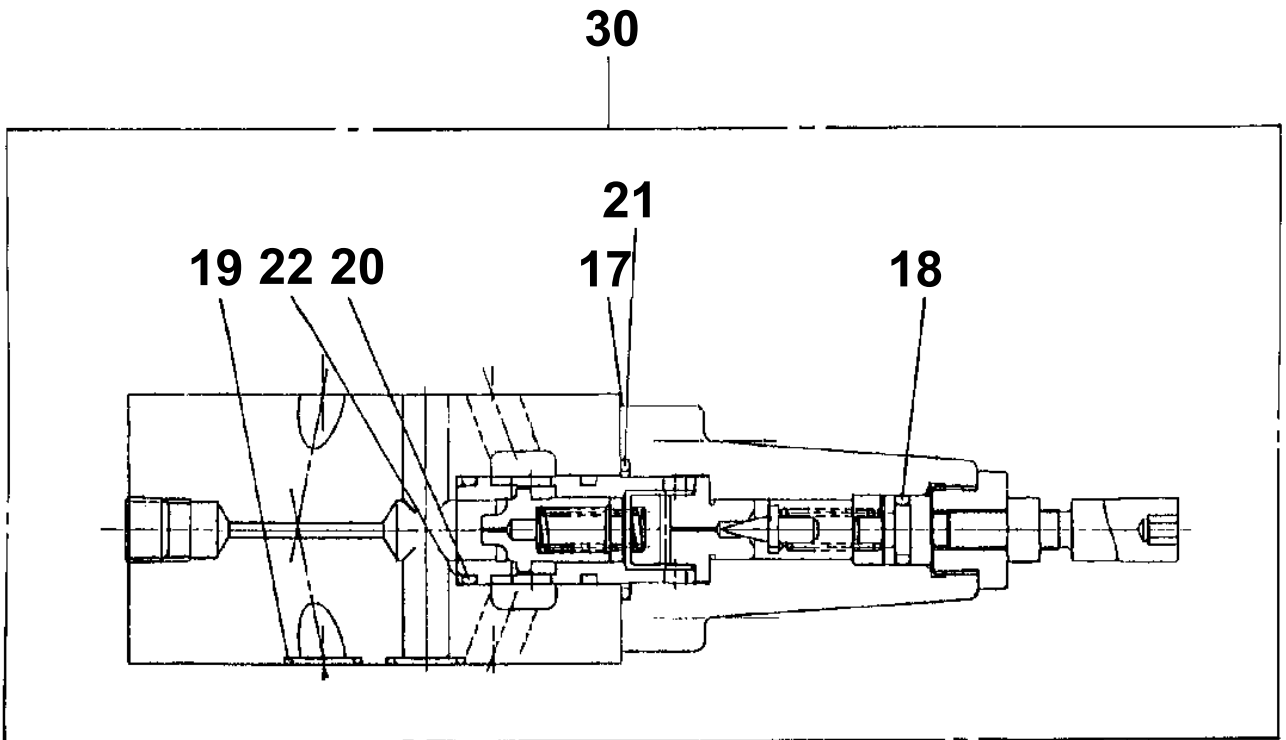
Pos No.	Parts No	Parts Name	Qty	Unit	Technical Data	Serial No (Start)	Serial No (End)	Remarks	Pages
1	42736002100	SWITCH ASSY	1						
2	42736002010	PLATE,NAME	1						
3	42736002020	PLATE,NAME	1						
4	42801710200	LAMP ASSY (RED)	1						
21	82100005004	LENS (RED)	1						

AT-145-1 42043221000 LOWER,MITSUBISHI KC-FE538B6K  
PC5020050-00 CABLE ASSY



**AT-145-1 42043221000 LOWER, MITSUBISHI KC-FE538B6K**  
**PI1100051-00 VALVE, RELIEF**

Assembly Name VALVE, RELIEF



# AT-145-1 42043221000 LOWER,MITSUBISHI KC-FE538B6K

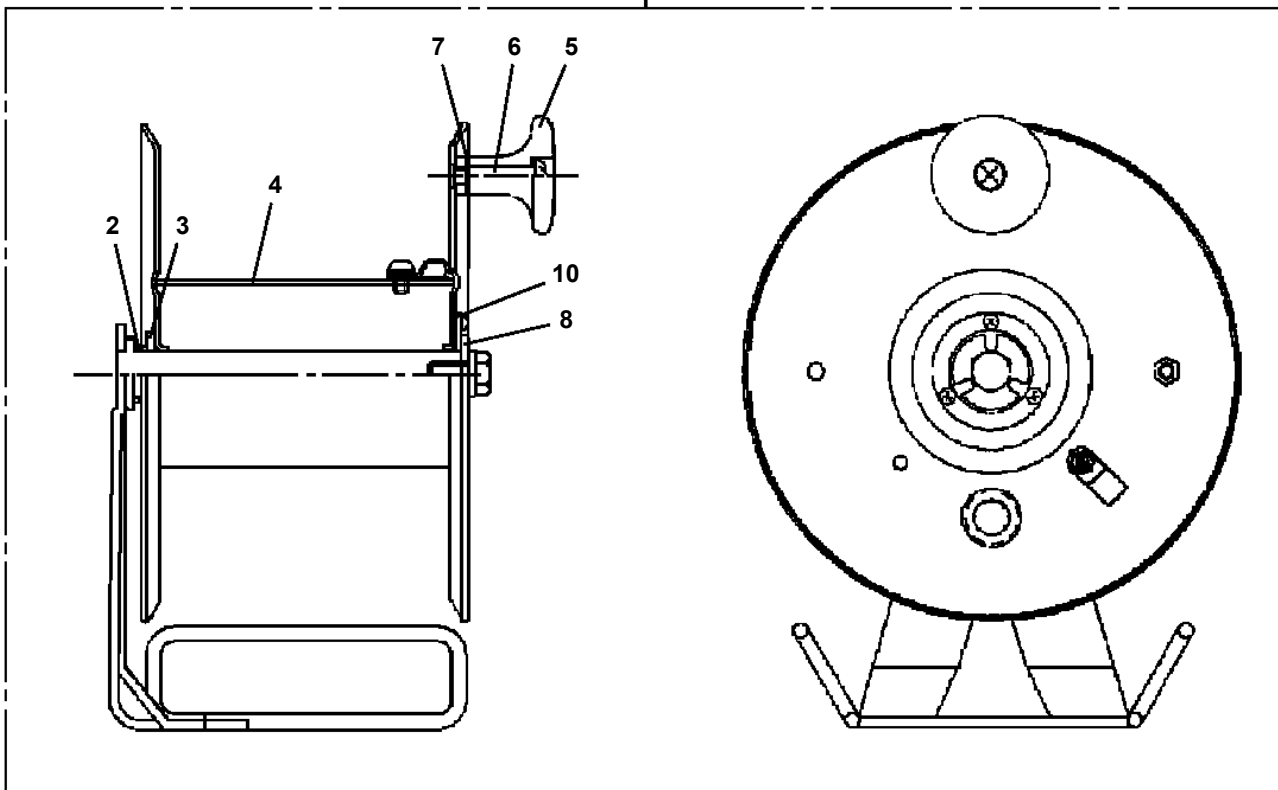
Pos No.	Parts No	Parts Name	Qty	Unit	Technical Data	Serial No (Start)	Serial No (End)	Remarks
1	36642765010	NUT	2				226589	
2	91001102100	O-RING	2		1A P21		226589	
3	36642765020	CORE ASSY (SOLENOID)	2				226589	
4	36645925010	COIL,SOLENOID	2				226589	
5	36642765080	SPRING	2					
6	36642765040	PACKING	2				226589	
7	36642765050	O-RING	2					
8	36642765060	WASHER (CENTER)	2					
10	91000501200	O-RING	4					
21	36643435030	NUT	2			226590	227728	
22	91000501900	O-RING	2			226590	227728	
23	36642765090	CORE ASSY (SOLENOID)	2			226590	227728	
24	36645925020	COIL,SOLENOID	2			226590	227728	
25	36643435070	PACKING	2			226590	227728	
32	36643435040	PIN,SPRING	4			226590		
41	36741765010	NUT	2			227729		
42	36741765020	O-RING	2			227729		
43	36741765030	CORE ASSY (SOLENOID)	2			227729		
44	36741765040	COIL,SOLENOID	2			227729		
45	36648475110	O-RING	2			227729		
100	36645930000	VALVE,SOLENOID	1					

**AT-145-1 42043221000 LOWER,MITSUBISHI KC-FE538B6K**

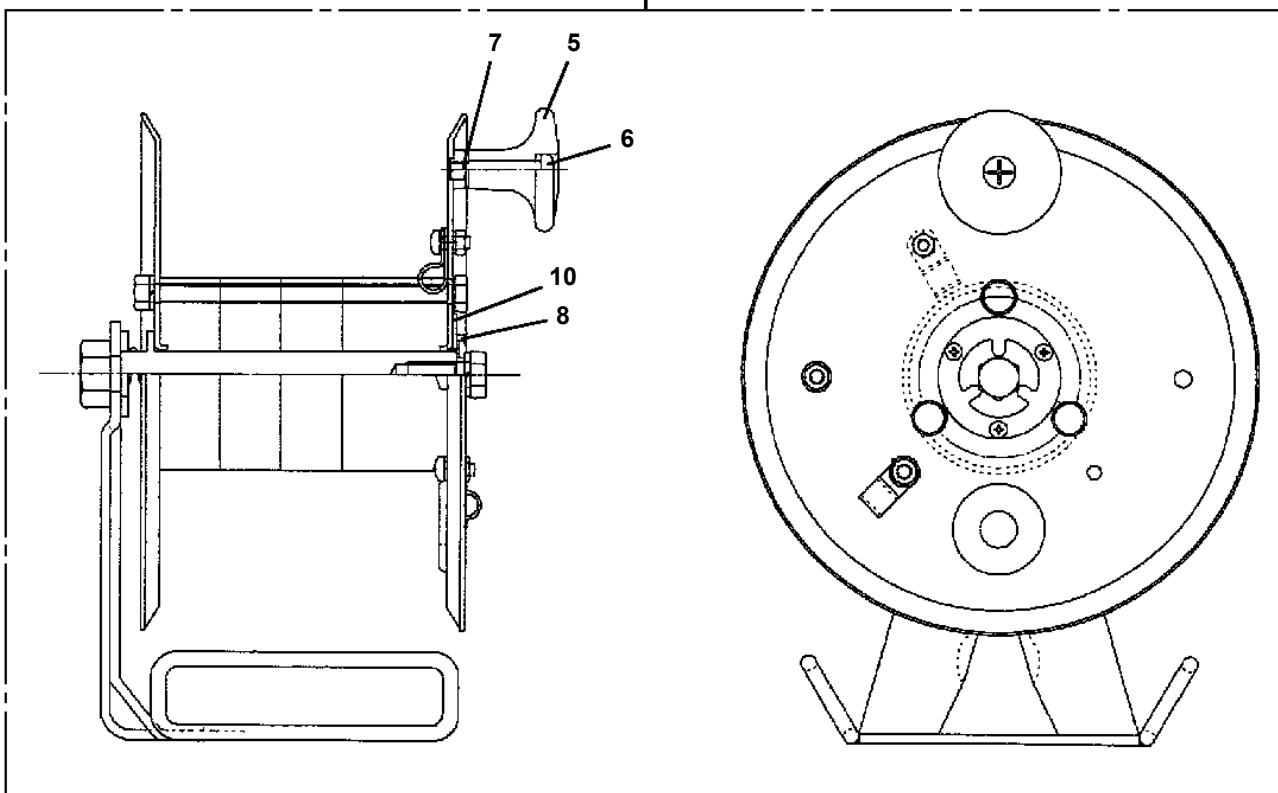
Pos No.	Parts No	Parts Name	Qty	Unit	Technical Data	Serial No (Start)	Serial No (End)	Remarks
1	36670105000	HEAD ASSY	1					
2	36672580000	FILTER,CARTRIDGE	1					
10	36670100000	FILTER,OIL (YAMASHIN)	1					

AT-145-1 42043221000 LOWER, MITSUBISHI KC-FE538B6K  
PN1350032-02 REEL, CORD

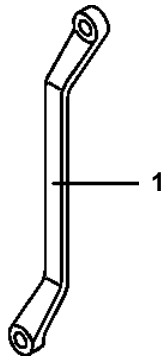
50



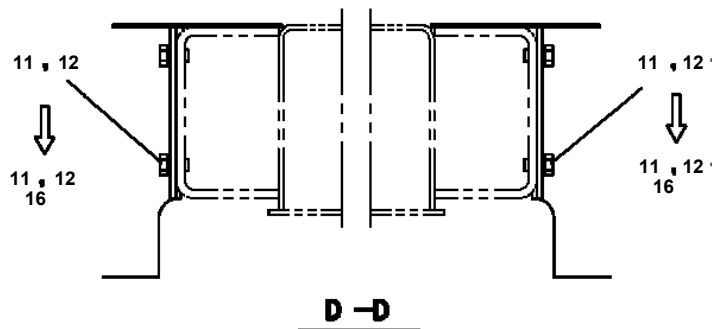
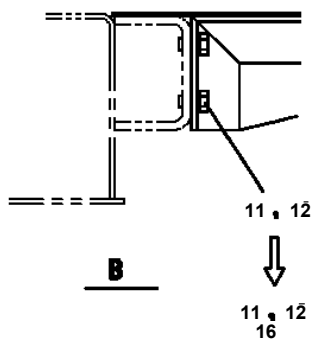
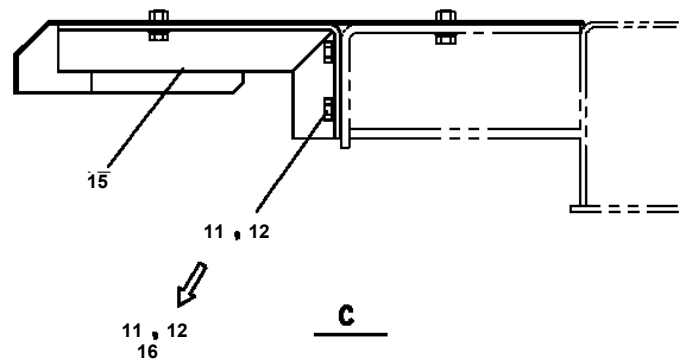
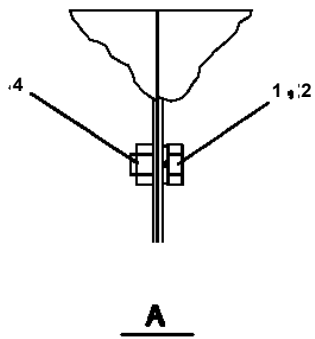
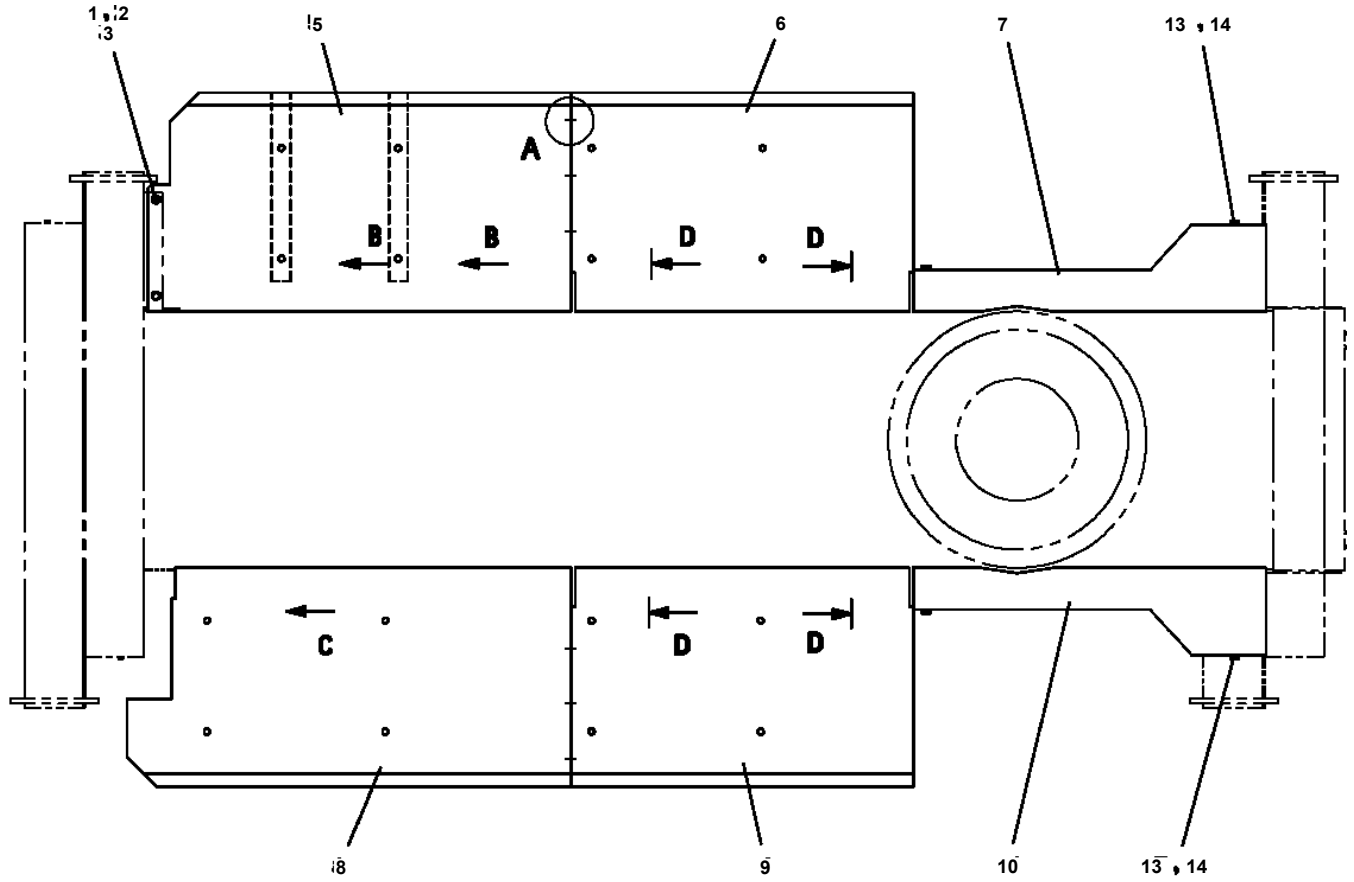
50



**AT-145-1 42043221000 LOWER, MITSUBISHI KC-FE538B6K  
PW1010381-00 ACCESSORIES (WRENCH)**



**AT-145-1 42043221000 LOWER, MITSUBISHI KC-FE538B6K  
PX1030325-00 FENDER**



CLICK HERE TO **DOWNLOAD** THE COMPLETE MANUAL

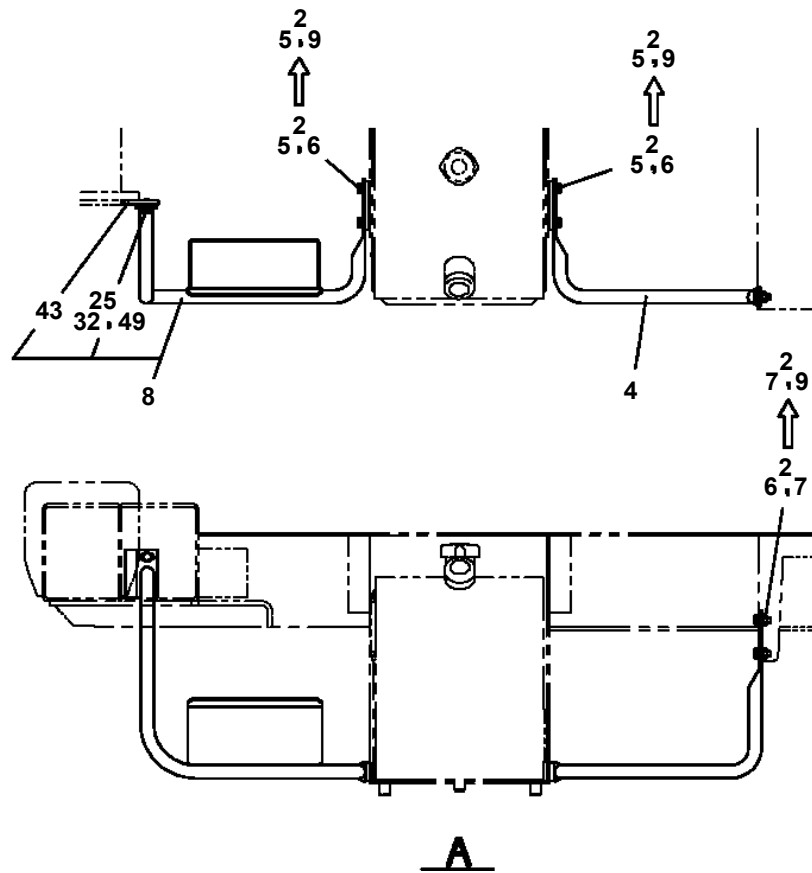
- Thank you very much for reading the preview of the manual.
- You can download the complete manual from: [www.heydownloads.com](http://www.heydownloads.com) by clicking the link below



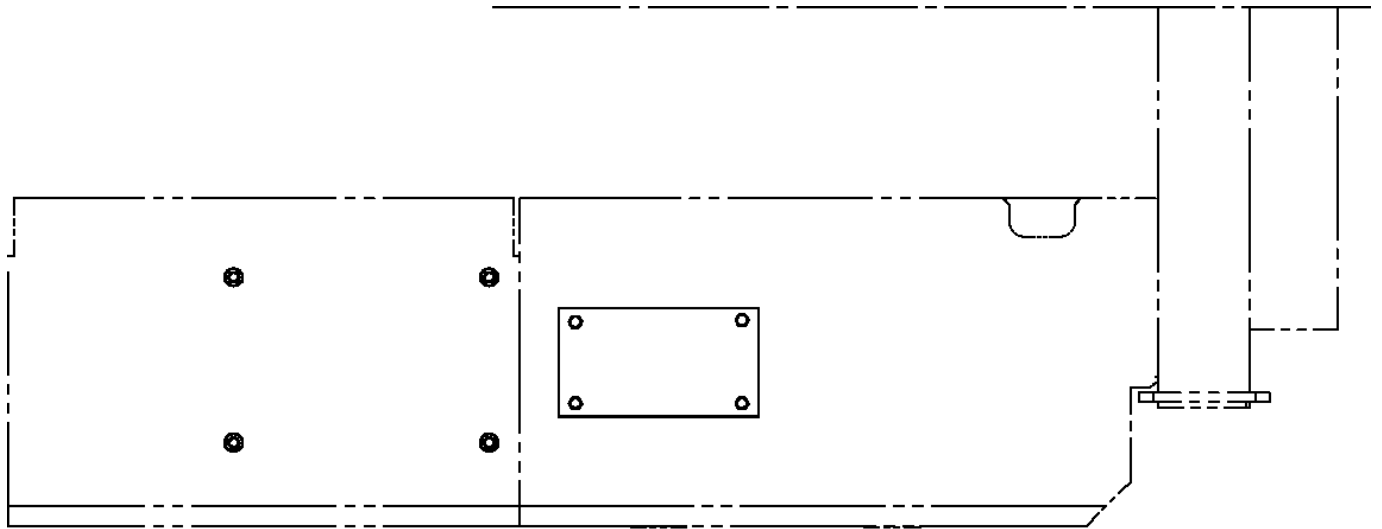
- Please note: If there is no response to CLICKING the link, please download this PDF first and then click on it.

CLICK HERE TO **DOWNLOAD** THE COMPLETE MANUAL

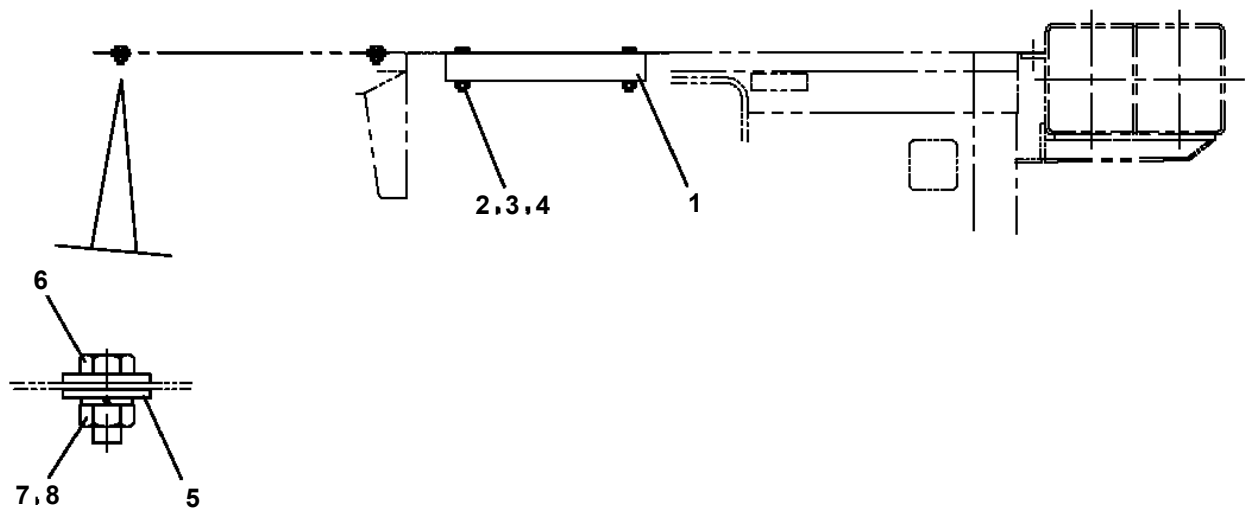
AT-145-1 42043221000 LOWER, MITSUBISHI KC-FE538B6K  
PX1200284-02 GUARD, SIDE (FRONT)



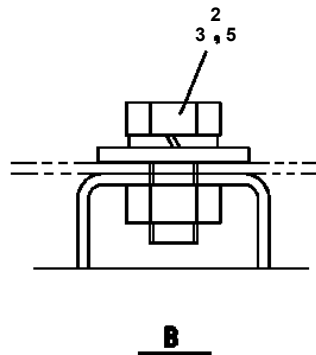
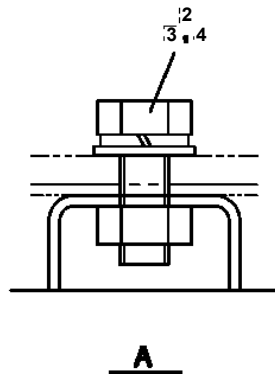
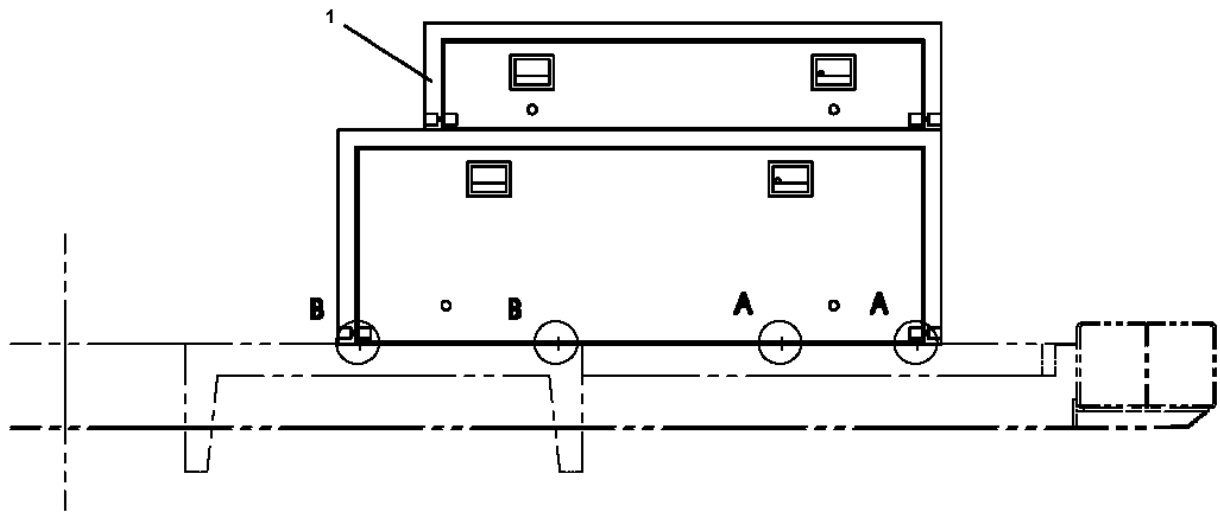
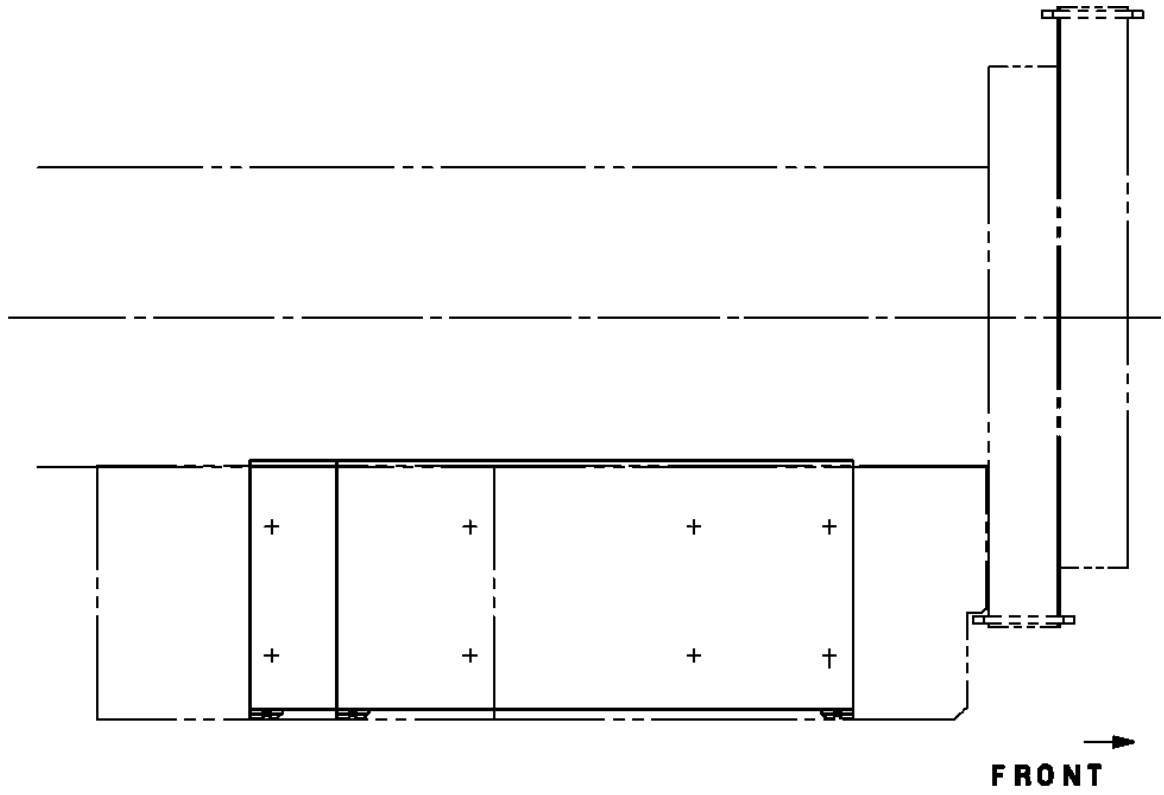
AT-145-1 42043221000 LOWER, MITSUBISHI KC-FE538B6K  
PX1290089-01 WEIGHT (WITHOUT TOOL BOX R.)



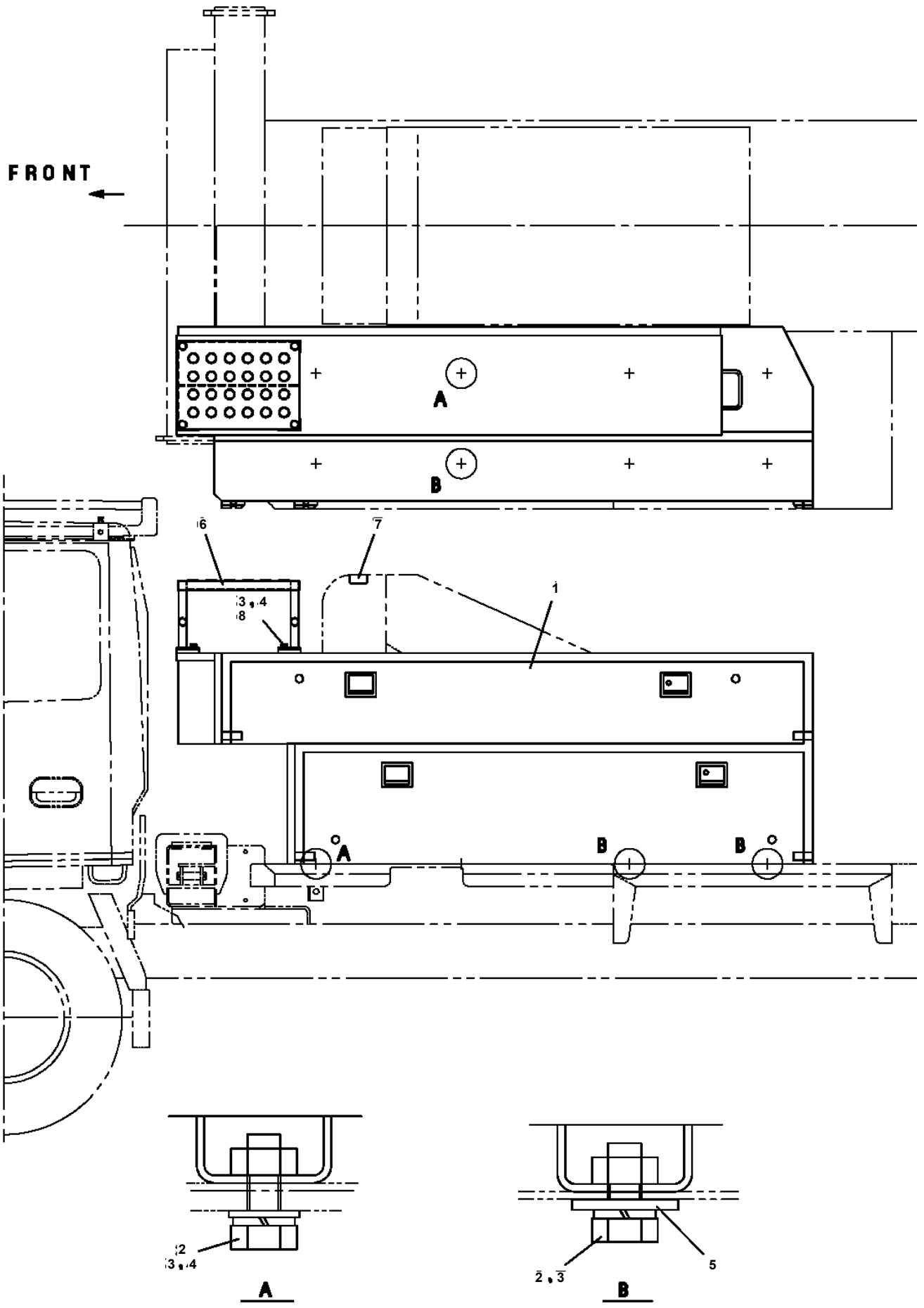
→ FRONT



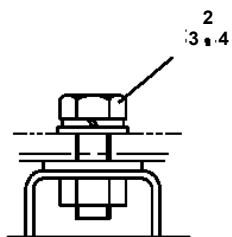
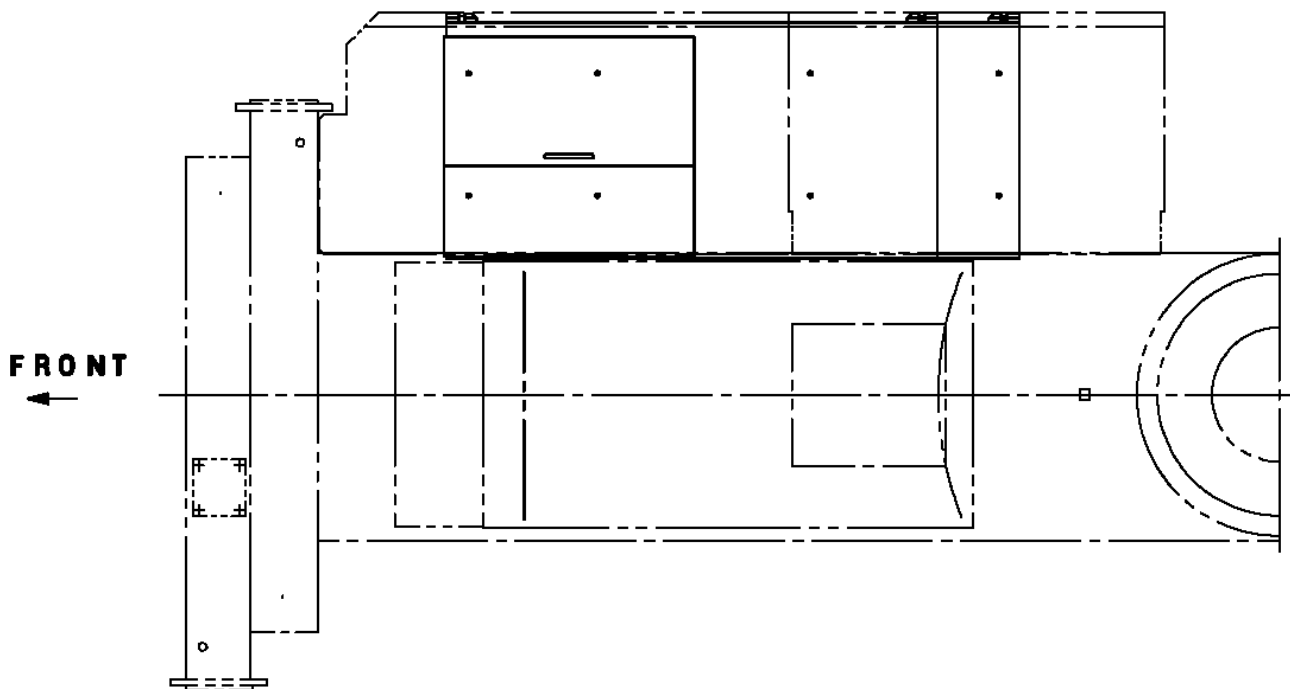
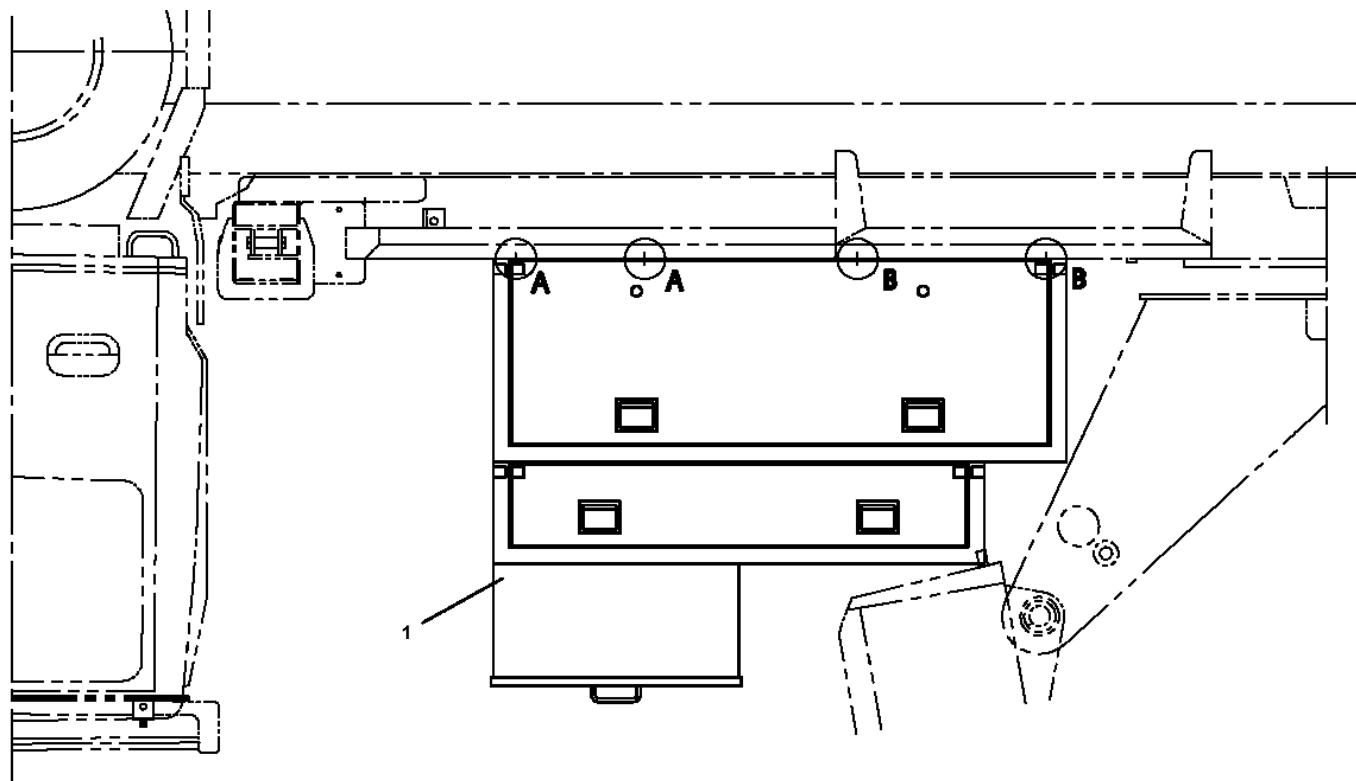
AT-145-1 42043221000 LOWER, MITSUBISHI KC-FE538B6K  
PX1350214-01 BOX, TOOL (RIGHT)



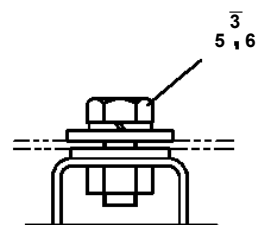
AT-145-1 42043221000 LOWER, MITSUBISHI KC-FE538B6K  
PX1350234-00 BOX, TOOL (FUJIDENN)



AT-145-1 42043221000 LOWER, MITSUBISHI KC-FE538B6K  
PX1350244-00 BOX, TOOL (RIGHT, TOCHIDE)



A

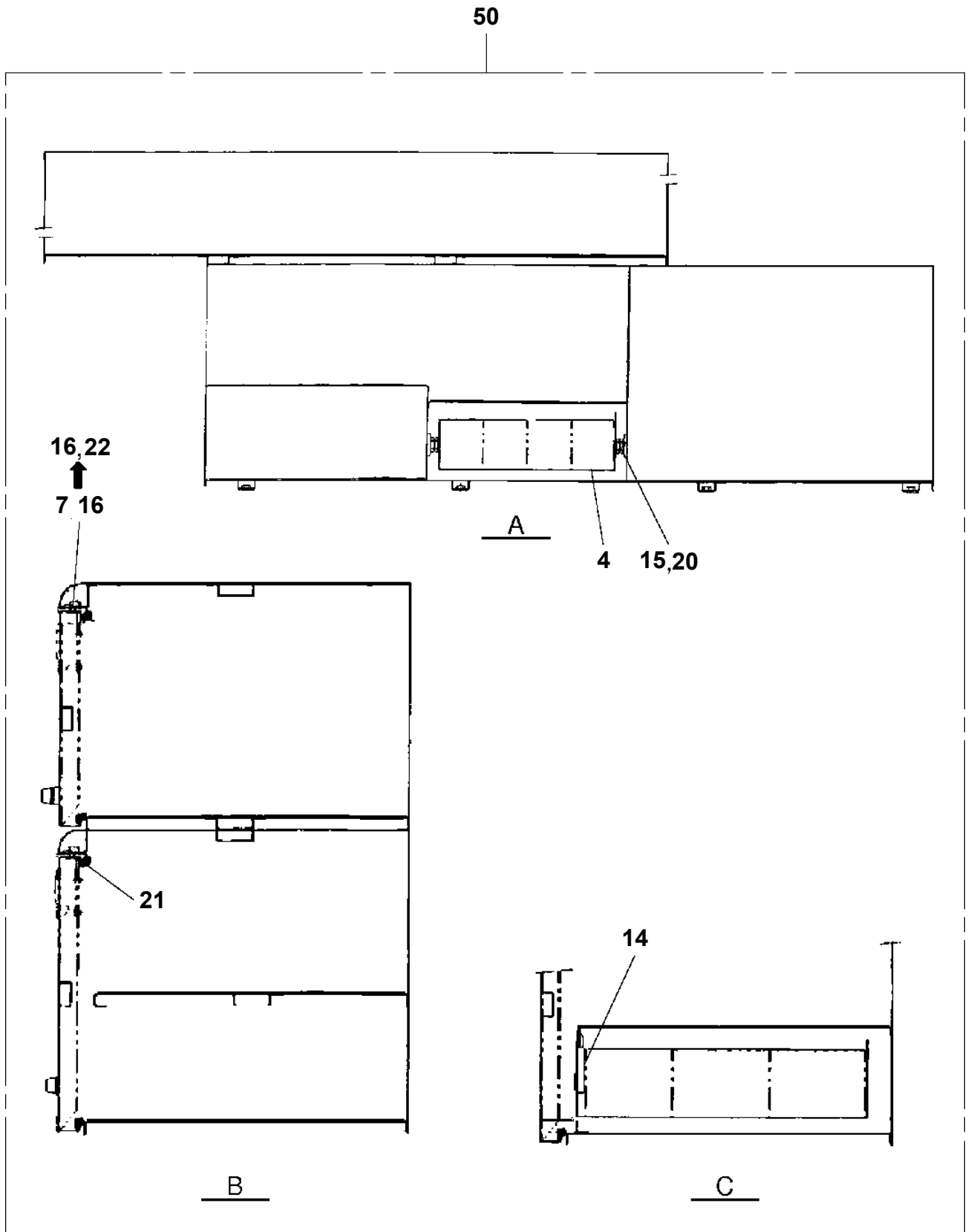


B

# AT-145-1 42043221000 LOWER,MITSUBISHI KC-FE538B6K

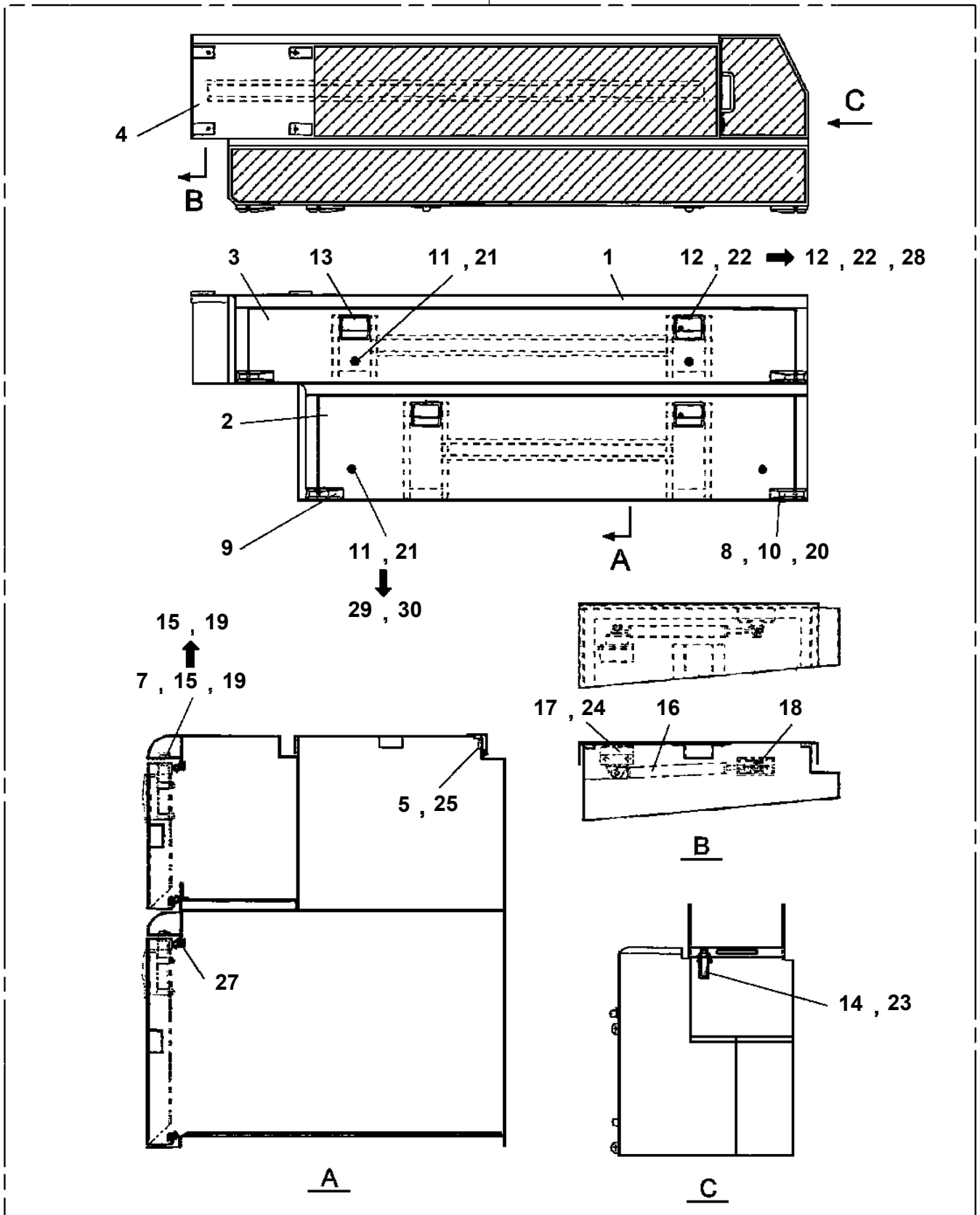
Pos No.	Parts No	Parts Name	Qty	Unit	Technical Data	Serial No (Start)	Serial No (End)	Remarks
1	42833231000	BOX,TOOL (RIGHT,FOR NTT)	1					
2	42833232000	INVERTER	1					
3	42833230100	SUPPORT	1					
4	42833230200	COVER	1					
5	42833230300	CABLE	1					
6	42833230400	CABLE	1					
7	42833230500	CABLE	2					
8	82119412100	CONNECTOR	2					
9	42392655050	PLATE,NAME (AC100V)	1					
10	82100002036	CLAMP	3		WEC8			
11	90101210030	BOLT	4		M10X30			
12	91810130240	FASTENER	20					
13	90201200800	NUT	3		M8			
14	90302040801	WASHER,SPRING	7		8			
15	90101208016	BOLT	4		M8X16			
16	42833233000	FENDER	1					
17	90101210025	BOLT	4		M10X25			
18	90302041001	WASHER,SPRING	8		10			
19	90303071001	WASHER,PLAIN	4		10			
20	37000505950	PLATE	4		T=3.2			
21	90101206010	BOLT	4		M6X1.0			
22	90302040601	WASHER,SPRING	4		6			
23	82100001802	TUBE,CORRUGATE	4	M	10			
31	42693800100	FENDER	1					
32	82100001019	GROMMET	1					

AT-145-1 42043221000 LOWER, MITSUBISHI KC-FE538B6K  
PX1350279-02 BOX, TOOL (LEFT, FOR SHINDEN)

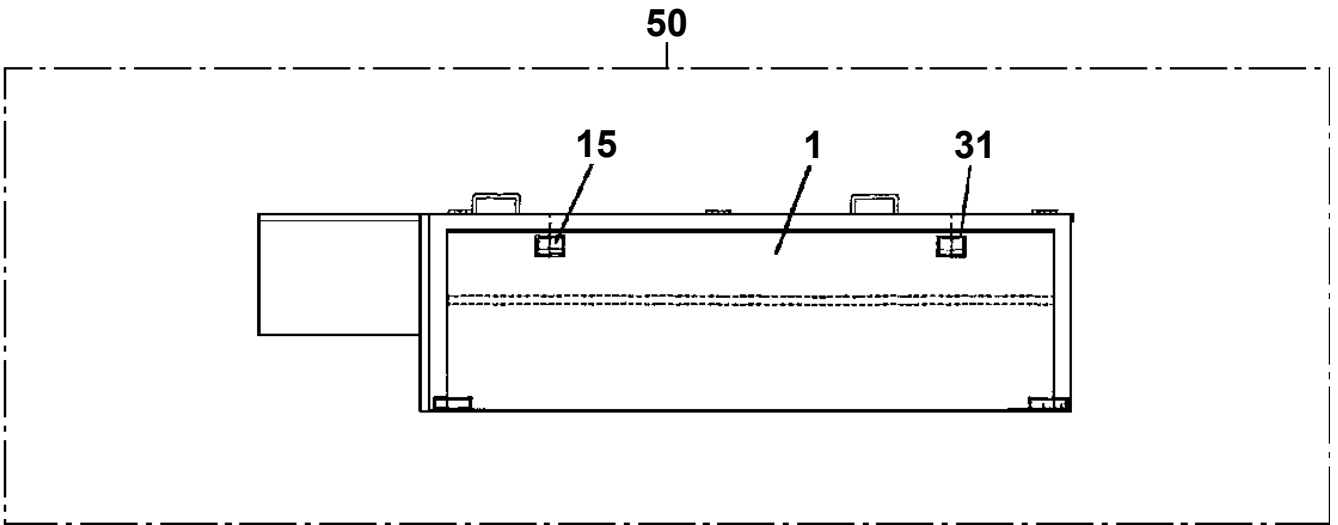


AT-145-1 42043221000 LOWER, MITSUBISHI KC-FE538B6K  
PX1350291-02 BOX, TOOL (LEFT, FOR FUJIDEN)

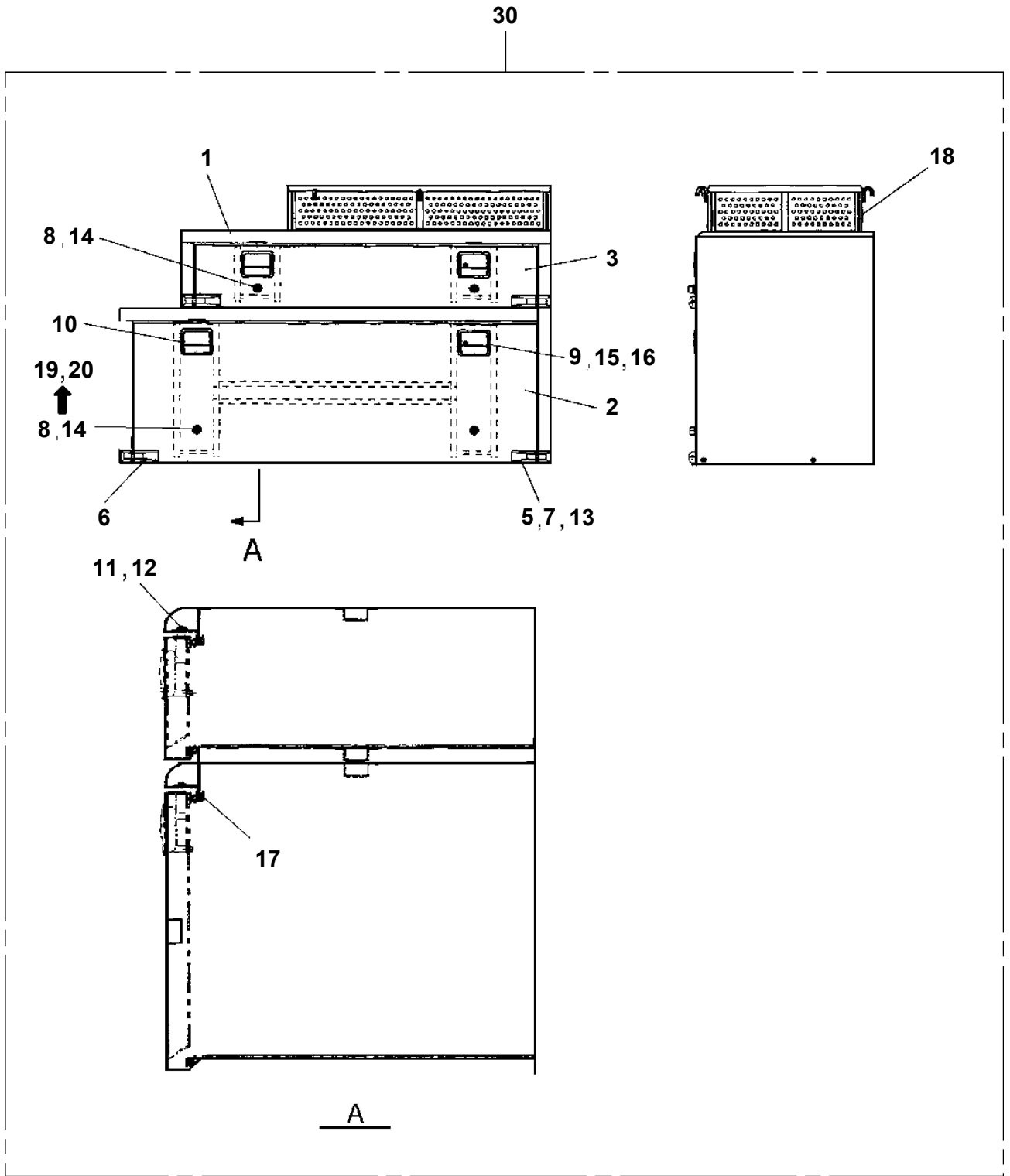
50



**AT-145-1 42043221000 LOWER, MITSUBISHI KC-FE538B6K  
PX1350296-00 BOX, TOOL (LEFT, WITH JIB SUPPORT)**

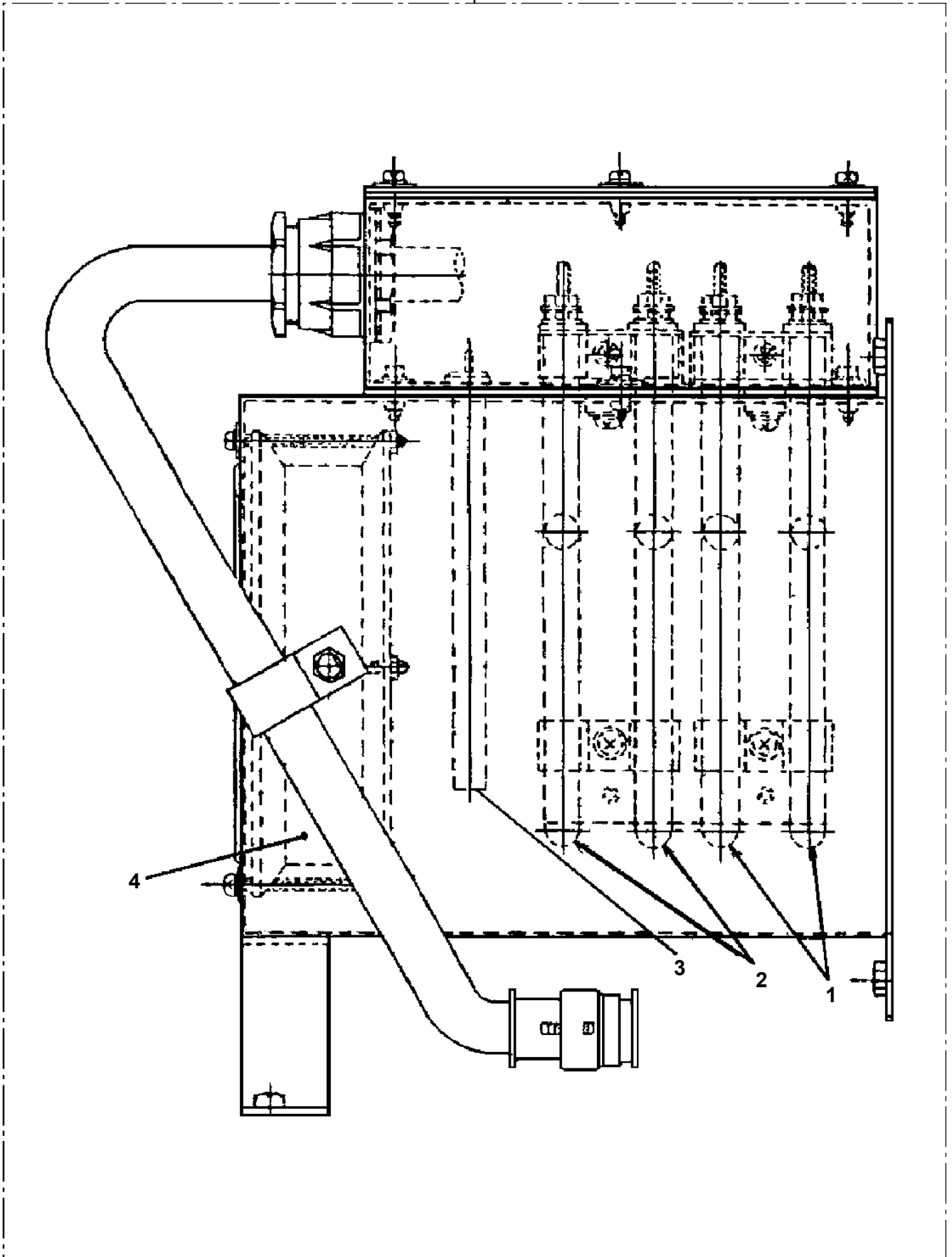


AT-145-1 42043221000 LOWER, MITSUBISHI KC-FE538B6K  
PX1350302-02 BOX, TOOL (RIGHT, FOR SHIKOKUDENRYOKU)

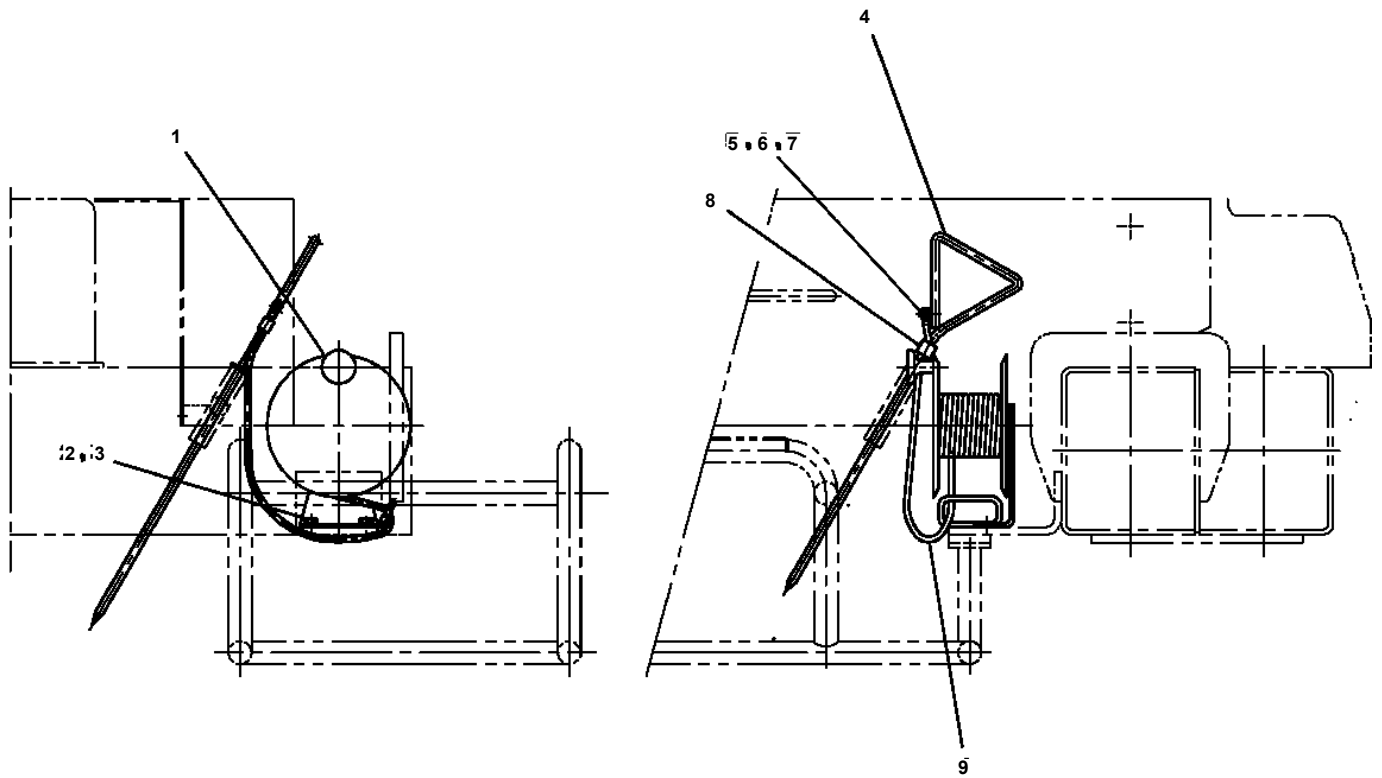


AT-145-1 42043221000 LOWER, MITSUBISHI KC-FE538B6K  
PY1120021-00 HEATER

30



**AT-145-1 42043221000 LOWER, MITSUBISHI KC-FE538B6K  
PY1650022-00 EARTHING DEVICE (BOLT TYPE 8X10M)**



CLICK HERE TO **DOWNLOAD** THE COMPLETE MANUAL

- Thank you very much for reading the preview of the manual.
- You can download the complete manual from: [www.heydownloads.com](http://www.heydownloads.com) by clicking the link below



- Please note: If there is no response to CLICKING the link, please download this PDF first and then click on it.

CLICK HERE TO **DOWNLOAD** THE COMPLETE MANUAL