

## **AT-142-1 42020100012 UPPER**

PD2000164-00 SWING UNIT  
PF1000562-00 WINCH SYSTEM  
PG2000195-00 BOOM UNIT  
PH1000545-00 SAFETY DEVICES (MOMENT LIMITER)  
PJ3000436-00 BUCKET SYSTEM  
PJ5000003-00 BOOSTER UNIT  
PK2000766-00 FRAME UNIT  
PO1000149-00 INDICATION PLATES  
PY1001014-00 OPTIONS,1  
PY2000157-00 OPTIONS,2  
ASSEMBLY

CLICK HERE TO **DOWNLOAD** THE COMPLETE MANUAL

- Thank you very much for reading the preview of the manual.
- You can download the complete manual from: [www.heydownloads.com](http://www.heydownloads.com) by clicking the link below



- Please note: If there is no response to CLICKING the link, please download this PDF first and then click on it.

CLICK HERE TO **DOWNLOAD** THE COMPLETE MANUAL

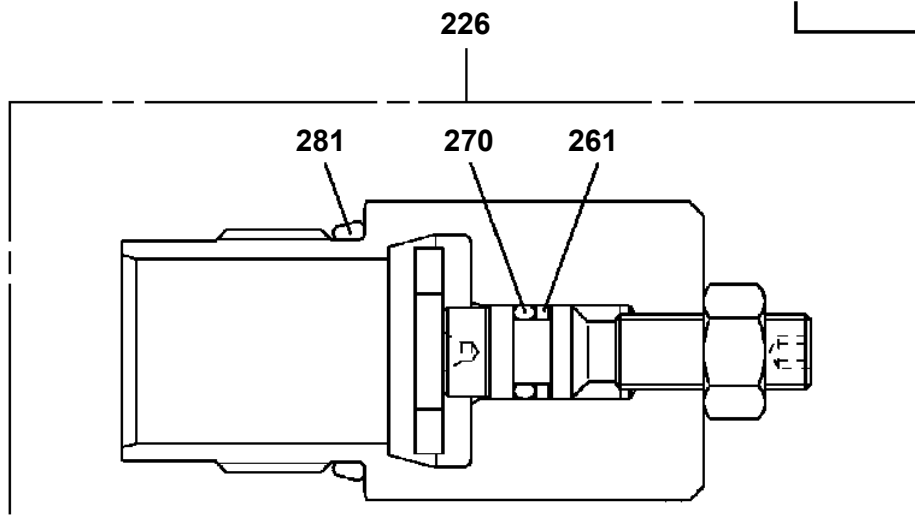
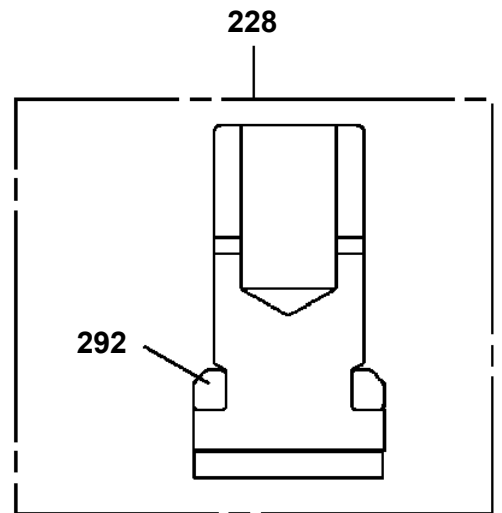
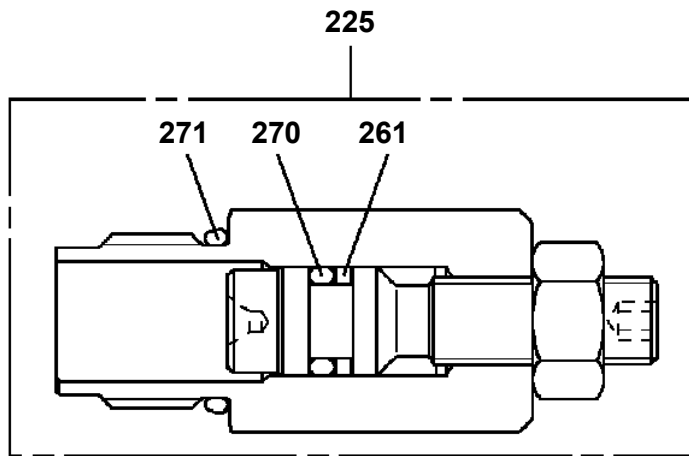
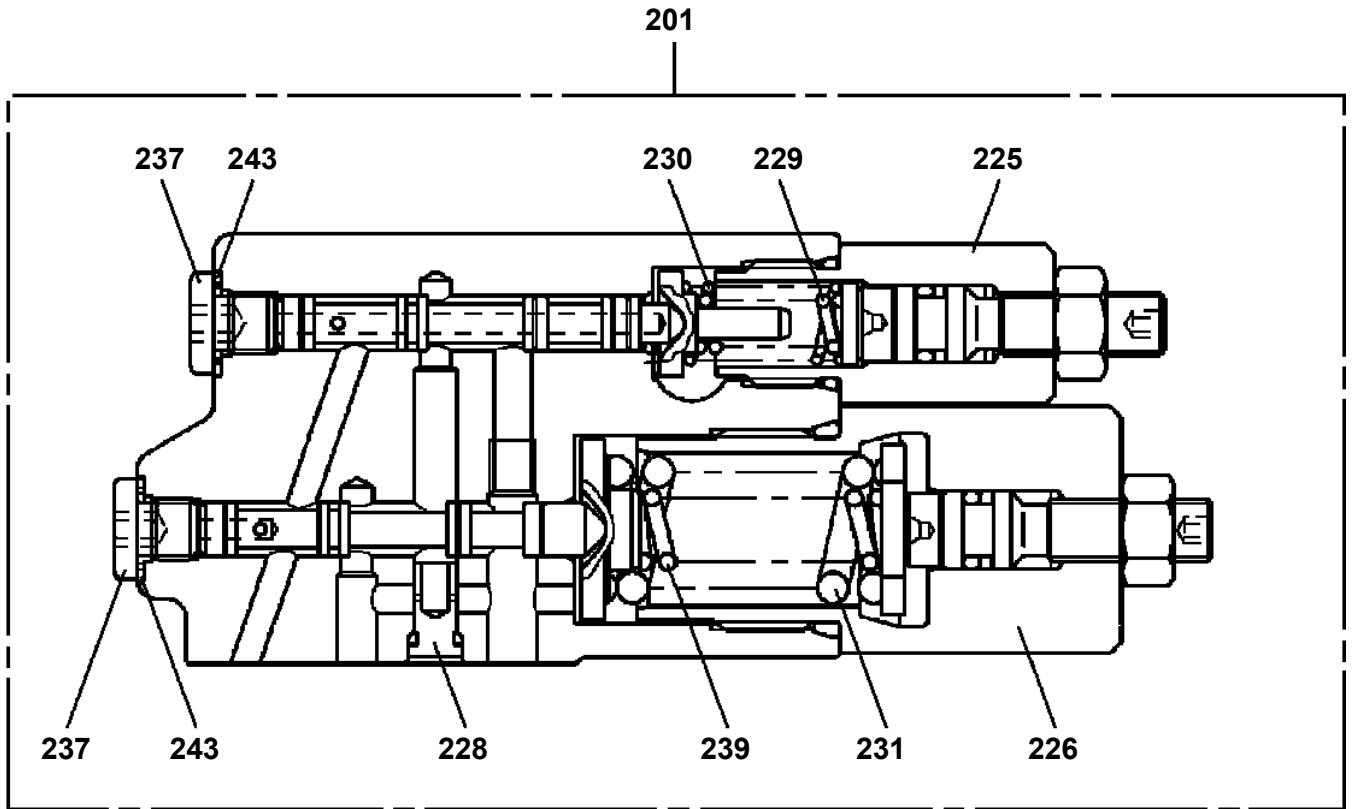
# AT-142-1 42020100012 UPPER

Pos No.	Parts No	Parts Name	Qty	Unit	Technical Data	Serial No (Start)	Serial No (End)
1	(*****)	BUCKET (BUCKT FRAME)	1				
2	42262891000	BUCKET	1				
3	(*****)	BUCKET (INNER CASE)	1				
4	(*****)	BUCKET (COVER,BLUE)	1				
5	(*****)	PIPING,BUCKET	1				
6	(*****)	PIPING,ARM	1				
7	(*****)	PIPING,GREASE	1				
8	(*****)	ELEC.ASSY (BUCKET)	1				
9	(*****)	ELEC.ASSY (ARM)	1				
10	(*****)	ARM,BUCKET	1				
11	(*****)	ARM,BUCKET (COVER,BLUE)	1				
12	(*****)	COVER,BOOM (BLUE, TOP BOOM)	1				
13	42263254000	COVER,BUCKET (BLUE)	1				
14	42262824000	COVER,WINCH (FOR POWER JIB,BLUE)	1				
15	(*****)	ACCESSORIES (BUCKET INNER MAT)	1				
17	(*****)	OPERATION SYSTEM, BUCKET	1				

# AT-142-1 42020100012 UPPER

Pos No.	Parts No	Parts Name	Qty	Unit	Technical Data	Serial No (Start)
1	42473340000	STEP,BUCKET	2			
2	42473190000	CUTTER HEAD (IZUMI 6.4TON 2.5M ELECTRICSANWA)	1			
3	42473850000	CLAMP HEAD (IZUMI 8TO,3.5M)	1			
4	(*****)	SUPPORT	1			
5	42475930000	HANGER (FOR BUCKET,FRP)	2			
6	42470050000	ROPE (SAFETY,1.5M,WITH HOOK)	2			
7	42472670000	ROPE (SAFETY,WHITE)	2			
	42470330000	ROPE (SAFETY,YELLOW:TD-TYPE)	2			
8	42472990000	BOX,TOOL (FOR BUCKET)	1			
	42472530000	BOX,TOOL (FOR BUCKET)	1			

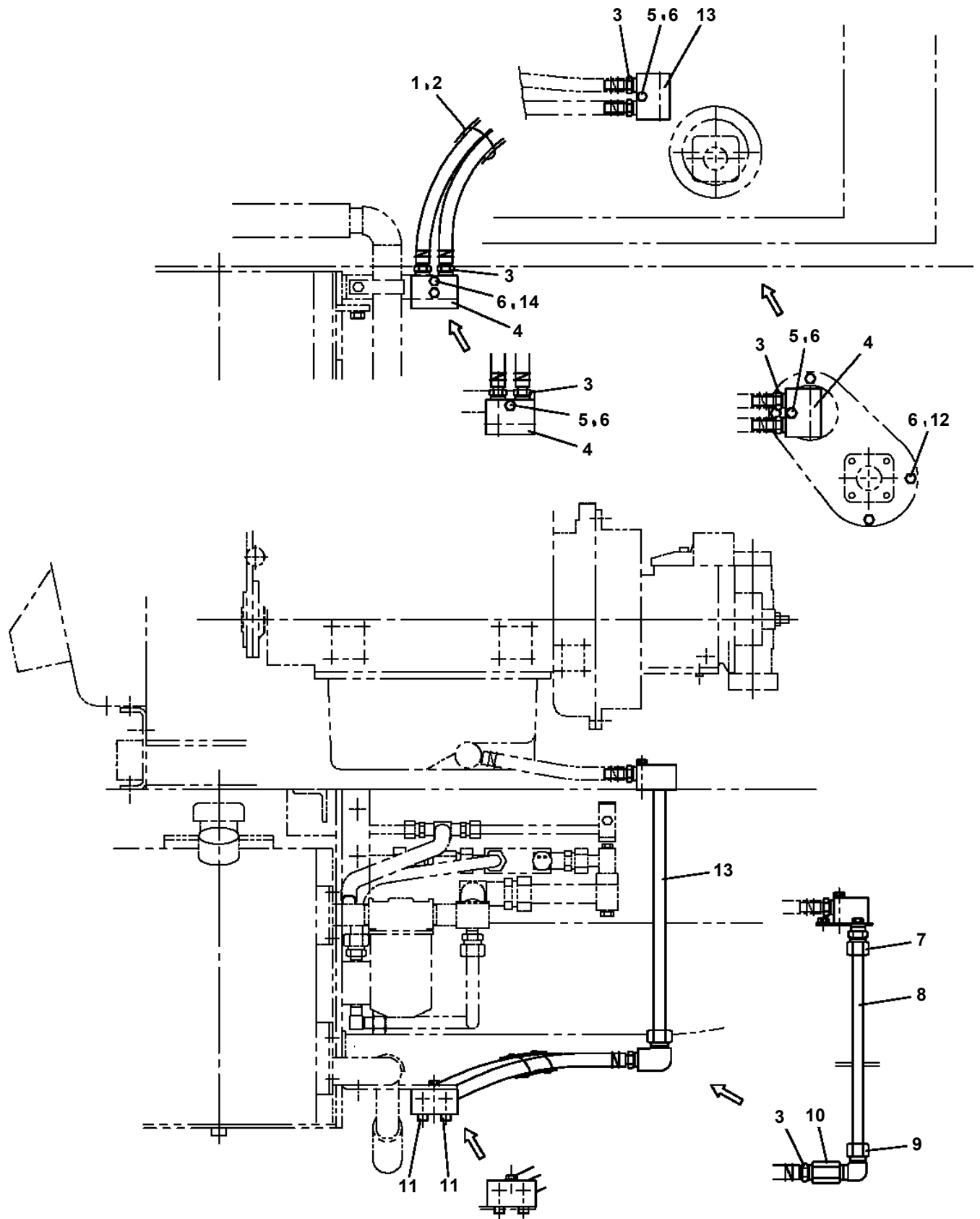
AT-142-1 42020100012 UPPER  
PB1100380-01 PUMP, HYDRAULIC



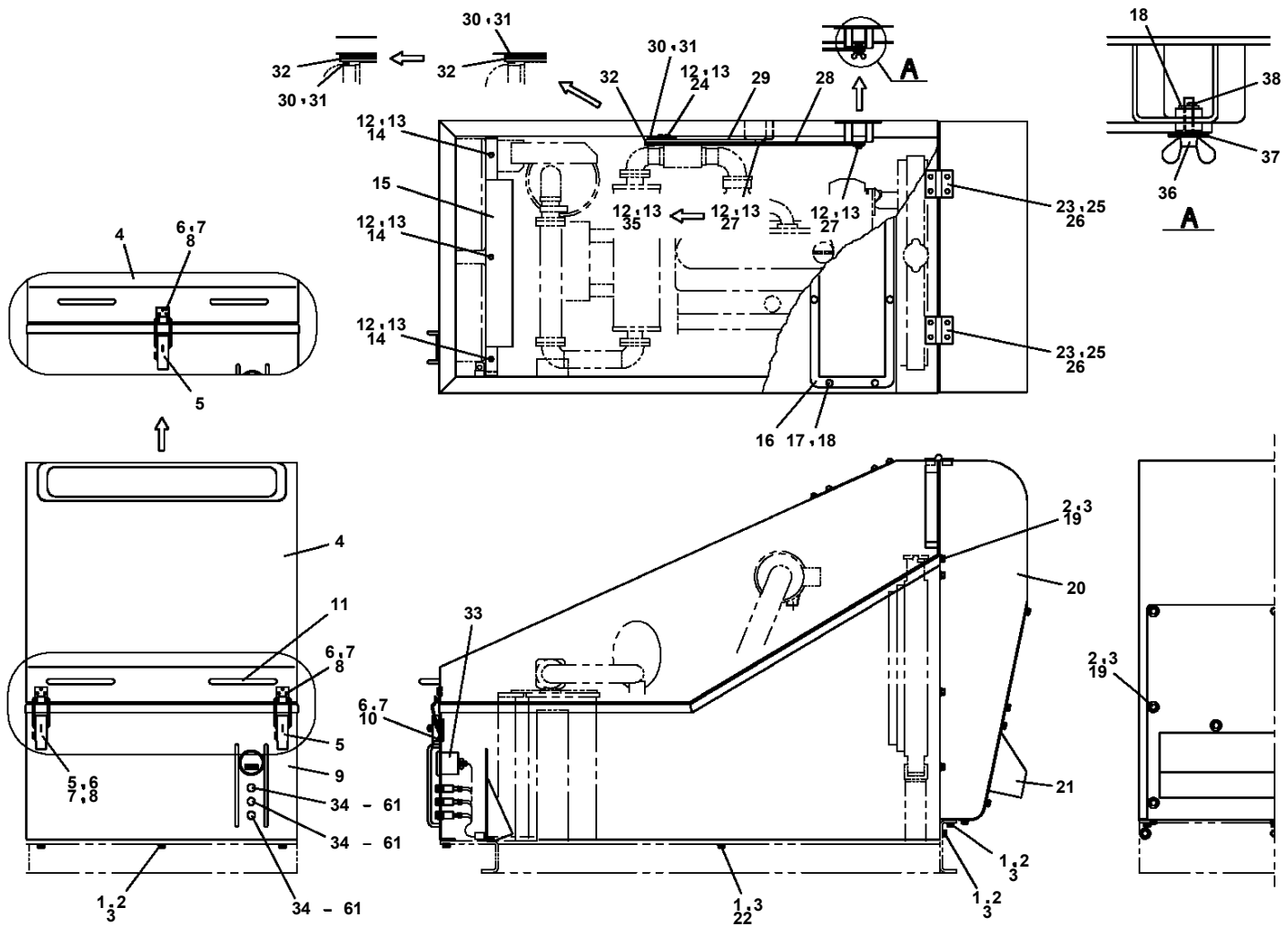
# AT-142-1 42020100012 UPPER

Pos No.	Parts No	Parts Name	Qty	Unit	Technical Data	Serial No (Start)	Serial No (End)	Rem
14	34630003000	HOLDER,BRUSH (BROWN CAP)	5					
26	33630817510	POTENTIOMETER	1					
28	42630557510	SWITCH (WITHOUT HARNESS)	1					
41	34630007510	BRUSH	10					
100	42630552000	BRUSH,ROTARY JOINT	1					

AT-142-1 42020100012 UPPER  
PB1370073-00 POWER SUPPLY (DRAIN)



**AT-142-1 42020100012 UPPER  
PB1370085-04 POWER SUPPLY (COVER)**



# AT-142-1 42020100012 UPPER

Pos No.	Parts No	Parts Name	Qty	Unit	Technical Data	Serial No (Start)	Serial No (End)	Remark
1	37002436290	HOSE	1		L=2000			
2	37002451510	HOSE	1		L=2300 TO 2180			
3	37002442350	HOSE	1		L=1550			
4	37002420320	HOSE	1		L=1700			
5	37002411990	HOSE	1		L=2500			
6	37002411980	HOSE	1		L=2430			
9	81408000130	PIPE,STEEL	1	M	10X1.8T			
10	81408000130	PIPE,STEEL	1	M	10X1.8T			
11	81408000130	PIPE,STEEL	1	M	10X1.8T			
12	89640201000	HOSE	1		660-NFK,1M			
13	80400160109	FITTING,ELBOW	1		20369-U3/8X1/4		590060	
	80441030604	FITTING,ELBOW	1			590061		
15	37000908730	JOINT (WITH O-RING)	2		L,G3/8-G1/4			
17	37000711080	CLAMP ASSY	2		12-2		590073	
	37000714020	CLAMP ASSY	2		12X2	590074		
18	91810132530	FASTENER	15					
19	80481102030	JOINT	1		L G1/4-G3/8			
20	91002801100	O-RING	2		1B P11			
21	80400160127	JOINT	1					
22	81408000160	PIPE,STEEL	1	M	12X1.4T			
23	81408000160	PIPE,STEEL	1	M	12X1.4T			
25	80430620400	JOINT	2					
27	90101208060	BOLT	2		M8X60			
28	90302040801	WASHER,SPRING	5		8			
29	37002435190	HOSE	2		L=2080			
30	37002458780	HOSE	1		L=1100			
31	37002418140	HOSE	1		L=1900			
33	37002403520	HOSE	1		L=1000			
34	82100001411	TUBE,SPIRAL	2	M	SE-08BK			
35	82100002535	TUBE,SPIRAL	2	M	SE-29BK			
36	82100002039	CLAMP	1					
37	90101208012	BOLT	1		M8X12			
38	37002423460	HOSE	2		L=650			
39	37002408410	HOSE	1		L=475			
40	37002445210	HOSE	1		L=420			
42	90101208016	BOLT	2		M8X16			
51	36636340000	VALVE,MANUAL CONTROL	2					
52	80302090101	FITTING	2		KCO10-020N			
53	91002801100	O-RING	14		1B P11			
	91002801100	O-RING	1		1B P11	590061		
54	37000908730	JOINT (WITH O-RING)	1		L,G3/8-G1/4			
55	80430620400	JOINT	4					
56	80303130161	FITTING,ELBOW	2		KLO12-030E			
64	80481103030	JOINT	2		L,G3/8-G3/8			
67	91002801400	O-RING	19		1B P14			
71	80400160128	JOINT	4		S,G3/8-G1/4			
73	80302090161	FITTING	2		KCO12-030N			
74	80302090121	FITTING	4		KCO10-030N			
75	80400160130	JOINT	1		S,G1/2-G3/8			
76	91002801800	O-RING	4		1B P18			
77	80430620800	JOINT	1					
83	42340240500	FILTER,OIL	3					
84	36601610001	VALVE,RELIEF	1					
91	80400160131	JOINT	1					
93	80471020504	JOINT	1		HL205-04			
94	80471020503	JOINT	2		45,G3/8-G3/8			
96	80441010604	FITTING	1					
101	42343590500	FITTING,FLANGE	1					
102	36624690000	VALVE,PILOT CHECK	1					
103	90172110060	BOLT,HEXAGON SOCKET	4		M10X60			
104	80400160127	JOINT	2					

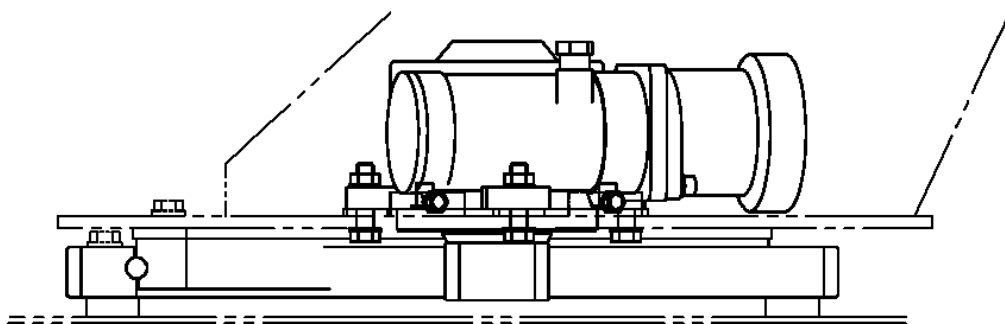
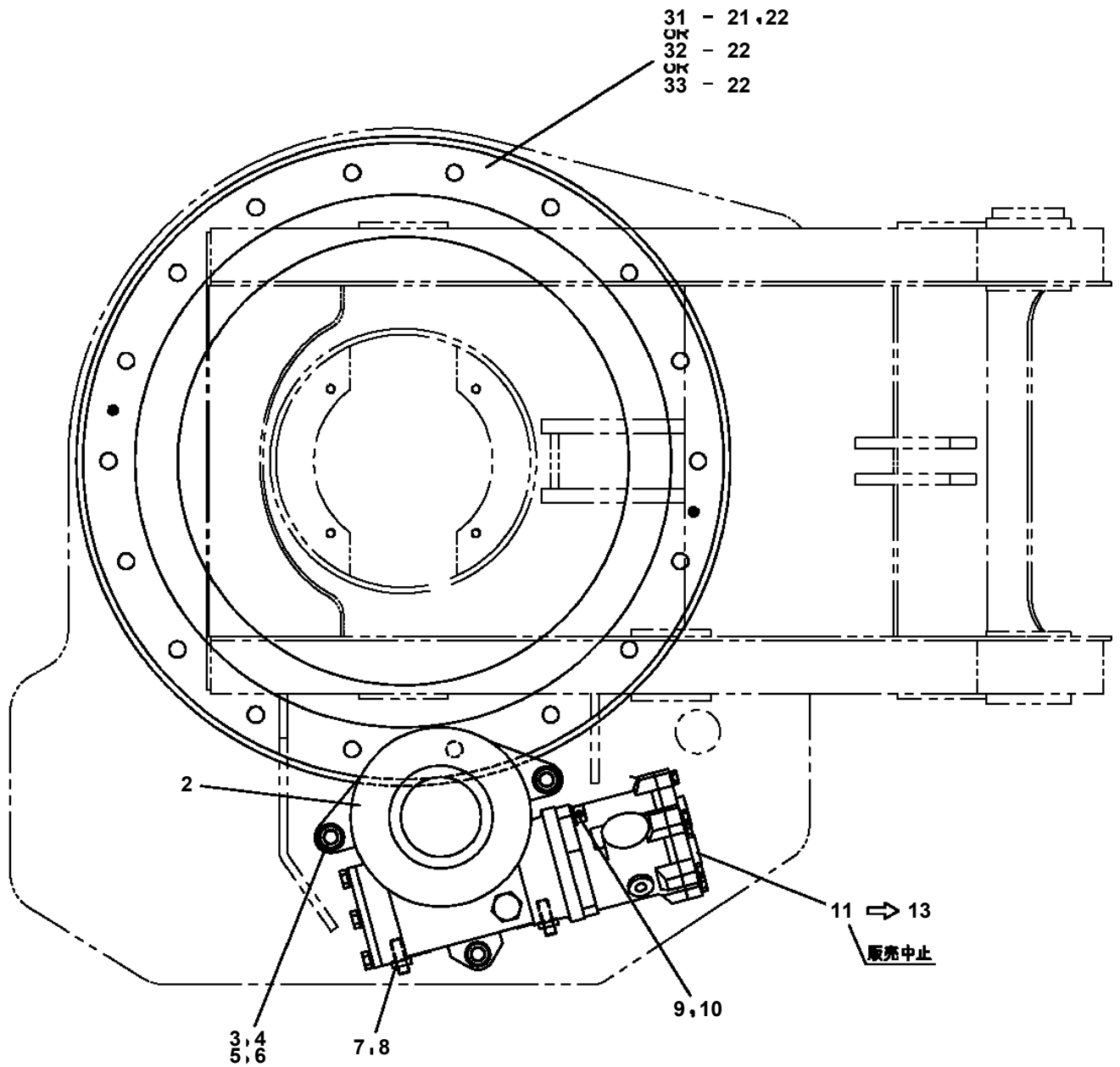
# AT-142-1 42020100012 UPPER

Pos No.	Parts No	Parts Name	Qty	Unit	Technical Data	Serial No (Start)	Serial No (End)	Rem
1	42612142001	CASE,INNER (REAR)	1					
2	42612131101	CASE,INNER (JACK)	1				590087	
	42612131102	CASE,INNER (JACK)	1			590088		
3	90302040801	WASHER,SPRING	3		8			
5	36034280001	CYLINDER,JACK	1					
6	37000600920	CLAMP	1		L=90			
7	37000300710	SLEEVE	1		12-8			
8	37000138750	PIN	1		18			
9	80601110250	RING,RITAINING	2		S25			
10	42730072000	COVER	1					
11	90101206012	BOLT	6		M6X12			
12	90302040601	WASHER,SPRING	7		6			
13	37000169010	PIN	1		30			
14	80601110300	RING,RITAINING	2		S30			
15	80601110120	RING,RITAINING	2		S12			
16	37000112950	PIN	1					
17	37000168300	PIN	1				590087	
	37000171720	PIN	1			590088		
19	36623930000	VALVE,PILOT CHECK	1					
20	90172110035	BOLT,HEXAGON SOCKET	2		M10X35			
21	90101206016	BOLT	1		M6X16			
22	90201200600	NUT	1		M6			
23	82100002005	CLAMP	1		WRC8			
24	90101208010	BOLT	3		M8X10			
25	91002801000	O-RING	2		1B P10			
26	80400160127	JOINT	2				590101	
	80400160127	JOINT	1			590102		
27	91002801100	O-RING	2		1B P11		590101	
	91002801100	O-RING	1		1B P11	590102		
28	80136332036	PIN,SPLIT	2		3.2X36			
30	42612131300	FLOAT ASSY	1					
31	31201770100	PLATE,SLIDE	8		T=3.0			
32	42612060010	CHOKE	1					
35	36672460000	FILTER (NIPPLE TYPE)	1			590102		
41	36042410000	CYLINDER,EXTENSION (REAR)	1					
42	42612141110	HARNESS	1					
43	37002403580	HOSE	2		L=2000			
44	91810130240	FASTENER	18					
45	80400160127	JOINT	2					
46	91002801100	O-RING	2		1B P11			
	91002801100	O-RING	1		1B P11	590102		
51	82100002034	CLAMP	1		WEC6			
52	90101208010	BOLT	1		M8X10			
53	90302040801	WASHER,SPRING	3		8			
54	90101208014	BOLT	2		M8X14			
55	42950011010	PLATE	1					
56	42950203010	BOLT	1		M6X18			
57	90201200600	NUT	1		M6			
58	82104502010	SWITCH,LIMIT	1					
59	90101204030	BOLT	2		M4X30			
60	90302040401	WASHER,SPRING	2		4			
61	42611483300	PLATE	1		T=3			
62	42611483200	PLATE	1		T=3			
73	42612131500	TRUNNION	1					
200	42612141001	OUTRIGGER (INNER,REAR)	1					

# AT-142-1 42020100012 UPPER

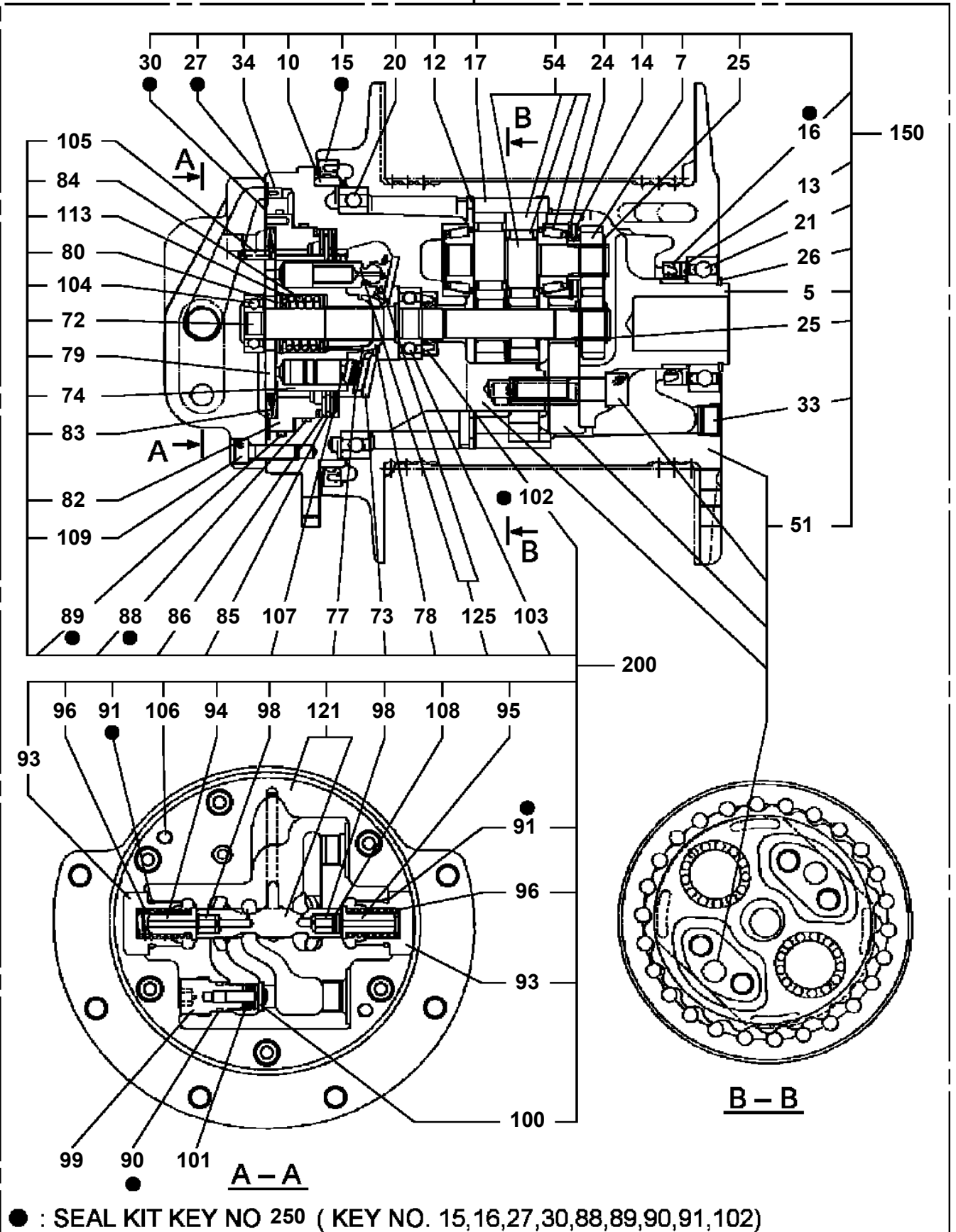
Pos No.	Parts No	Parts Name	Qty	Unit	Technical Data	Serial No (Start)	Serial No (End)	Rema
1	42651097510	CASE ASSY (WITH HARENSS)	1					
2	42651097520	PACKING (COVER)	1					
3	42651097530	COVER (CASE)	1					
4	42651093600	BOARD,CIRCUIT	1					
5	42651097560	BUSHING	2					
8	42651093400	PLATE,NAME	1					
9	42651093500	PLATE,NAME	1					
20	42651097570	CAP	34					
31	(*****)	P-ROM	1					
50	42651093000	INDICATOR,OUTRIGGER	1					

**AT-142-1 42020100012 UPPER  
PD1020026-01 SWING UNIT**

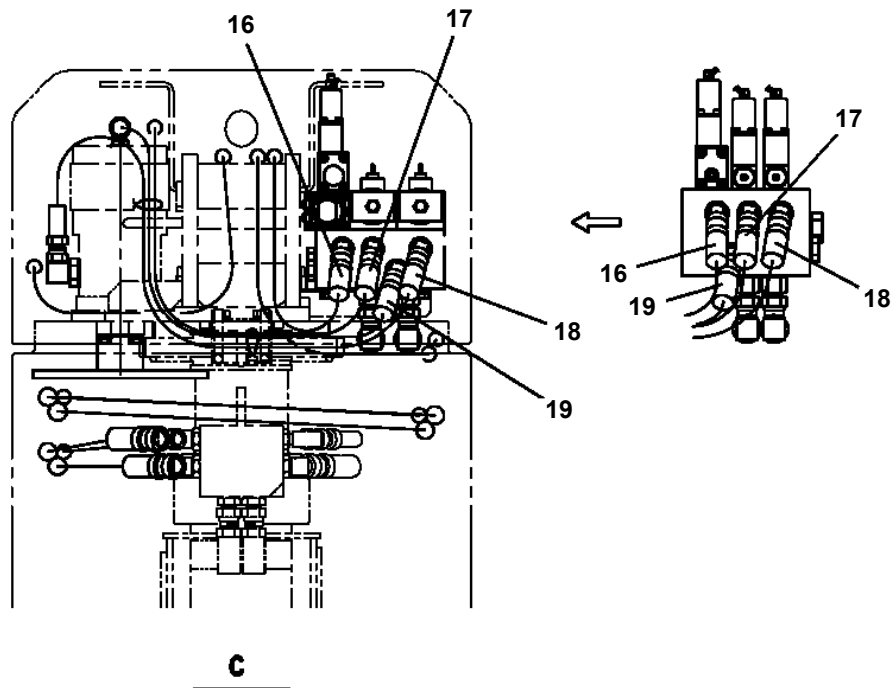
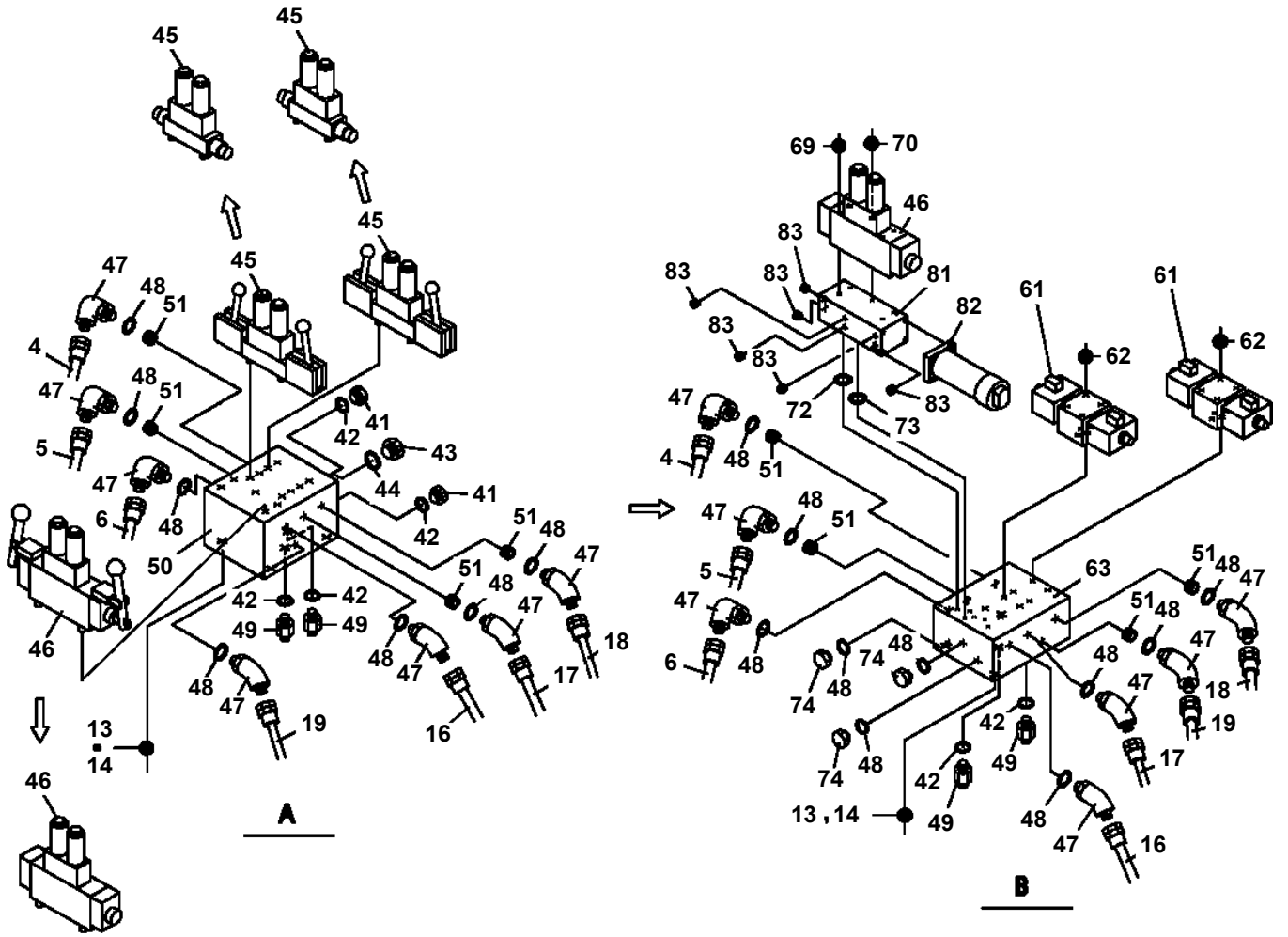


AT-142-1 42020100012 UPPER  
 PF1010168-01 WINCH

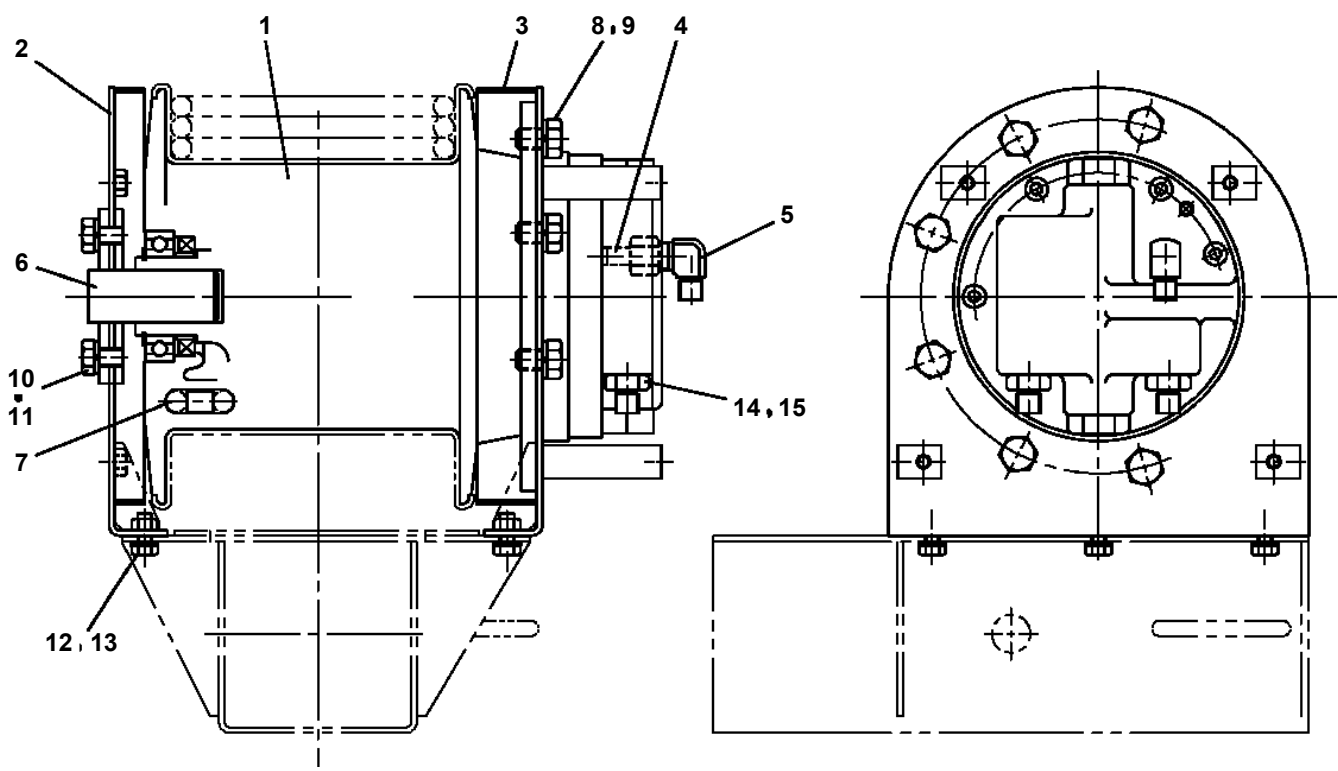
300



**AT-142-1 42020100012 UPPER  
PF1200228-01 PIPING,WINCH**



**AT-142-1 42020100012 UPPER  
PF1400249-00 MOUNT,WINCH (WITHOUT JIB STOWING)**



# AT-142-1 42020100012 UPPER

Pos No.	Parts No	Parts Name	Qty	Unit	Technical Data	Serial No (Start)	Serial No (End)	F
1	36130235010	PLATE (BASE)	1					
2	36130235020	CASE	1					
3	36130235030	DRUM ASSY	1					
4	36131345010	COVER	1					
5	31370105030	PACKING	1					
6	31370005030	PACKING	1					
7	36130235090	WASHER,SEAL	1					
8	36130235050	BRACKET	1					
9	82100001155	CONNECTOR	1					
10	36131195030	POTENTIOMETER	1					
11	36130235100	CLAMP (CORD)	1					
12	36130045090	CLIP (NYLON)	1					
13	32360005150	CLIP (NYLON)	1					
14	36130235070	GEAR (A)	1					
15	36130235080	GEAR (B)	1					
18	36130235110	CABLE ASSY (WITH CONNECTOR)	1		L=710			
19	31370005080	GUIDE (CORD)	1					
20	31370005050	RING ASSY (CONTACT)	1					
23	32360005240	LOCK (CORD)	1					
25	82100000080	CORD (1-LINE)	7	M				
60	36130230000	DETECTOR,BOOM LENGTH	1					

# AT-142-1 42020100012 UPPER

Pos No.	Parts No	Parts Name	Qty	Unit	Technical Data	Serial No (Start)	Serial No (End)	Remarks	Pages
1	82100002004	CLAMP	1		WR8				
2	90201200600	NUT	3		M6				
3	90302040601	WASHER,SPRING	3		6				
5	42441280100	HARNES	1				590071		00009
6	82100002001	CLAMP	2		WR5				
7	42351611100	SWITCH ASSY	1						
8	90101210018	BOLT	2		M10X18		590075		
	90101210018	BOLT	4		M10X18	590076			
9	90302041001	WASHER,SPRING	2		10		590075		
	90302041001	WASHER,SPRING	4		10	590076			
10	90303071001	WASHER,PLAIN	2		10		590075		
	90303071001	WASHER,PLAIN	4		10	590076			
11	42432561100	CAM	2						
12	42432561400	SUPPORT	1						
13	90101208020	BOLT	4		M8X20				
14	90302040801	WASHER,SPRING	4		8				
15	90303070801	WASHER,PLAIN	4		8				
18	42801710200	LAMP ASSY (RED)	1				590071		
19	42350220400	SWITCH ASSY	1						
20	91810130240	FASTENER	1						
21	42420623600	LAMP ASSY (RED)	1			590072			
41	42351611200	SUPPORT	1						
42	82104501200	SWITCH,LIMIT	2						
55	82100005004	LENS (RED)	1						

# AT-142-1 42020100012 UPPER

Pos No.	Parts No	Parts Name	Qty	Unit	Technical Data	Serial No (Start)	Serial No (End)	Remarks	Pages
100	42651090200	HARNESS	1						

# AT-142-1 42020100012 UPPER

Pos No.	Parts No	Parts Name	Qty	Unit	Technical Data	Serial No (Start)	Serial No (End)	Remarks	Pages
100	42351690550	HARNESS	1						

# AT-142-1 42020100012 UPPER

Pos No.	Parts No	Parts Name	Qty	Unit	Technical Data	Serial No (Start)	Serial No (End)	Rem
3	82105410110	SWITCH,TOGGLE	1					
5	82197518119	CAP (PLUS ONE MFG./BLACK)	1					
	82197518114	CAP (MATSUSHITA/BLACK)	1					
100	42473740011	HARNESS	1					

# AT-142-1 42020100012 UPPER

Pos No.	Parts No	Parts Name	Qty	Unit	Technical Data	Serial No (Start)	Serial No (End)	Remarks	Pages
100	42420471011	HARNESS	1						

# AT-142-1 42020100012 UPPER

Pos No.	Parts No	Parts Name	Qty	Unit	Technical Data	Serial No (Start)	Serial No (End)	Remarks	Pages
100	42475532200	HARNESS	1						

CLICK HERE TO **DOWNLOAD** THE COMPLETE MANUAL

- Thank you very much for reading the preview of the manual.
- You can download the complete manual from: [www.heydownloads.com](http://www.heydownloads.com) by clicking the link below



- Please note: If there is no response to CLICKING the link, please download this PDF first and then click on it.

CLICK HERE TO **DOWNLOAD** THE COMPLETE MANUAL

# AT-142-1 42020100012 UPPER

Pos No.	Parts No	Parts Name	Qty	Unit	Technical Data	Serial No (Start)	Serial No (End)	Remarks	Pages
100	42800040030	HARNESS	1						

# AT-142-1 42020100012 UPPER

Pos No.	Parts No	Parts Name	Qty	Unit	Technical Data	Serial No (Start)	Serial No (End)	R
3	36662985010	HOUSING (WITH OUTPUT SHAFT)	1					
11	36662985020	WHEEL SET (GEAR)	1					
30	36661645010	SEAL KIT	1					
50	36662980000	MOTOR, HYDRAULIC	1					

# AT-142-1 42020100012 UPPER

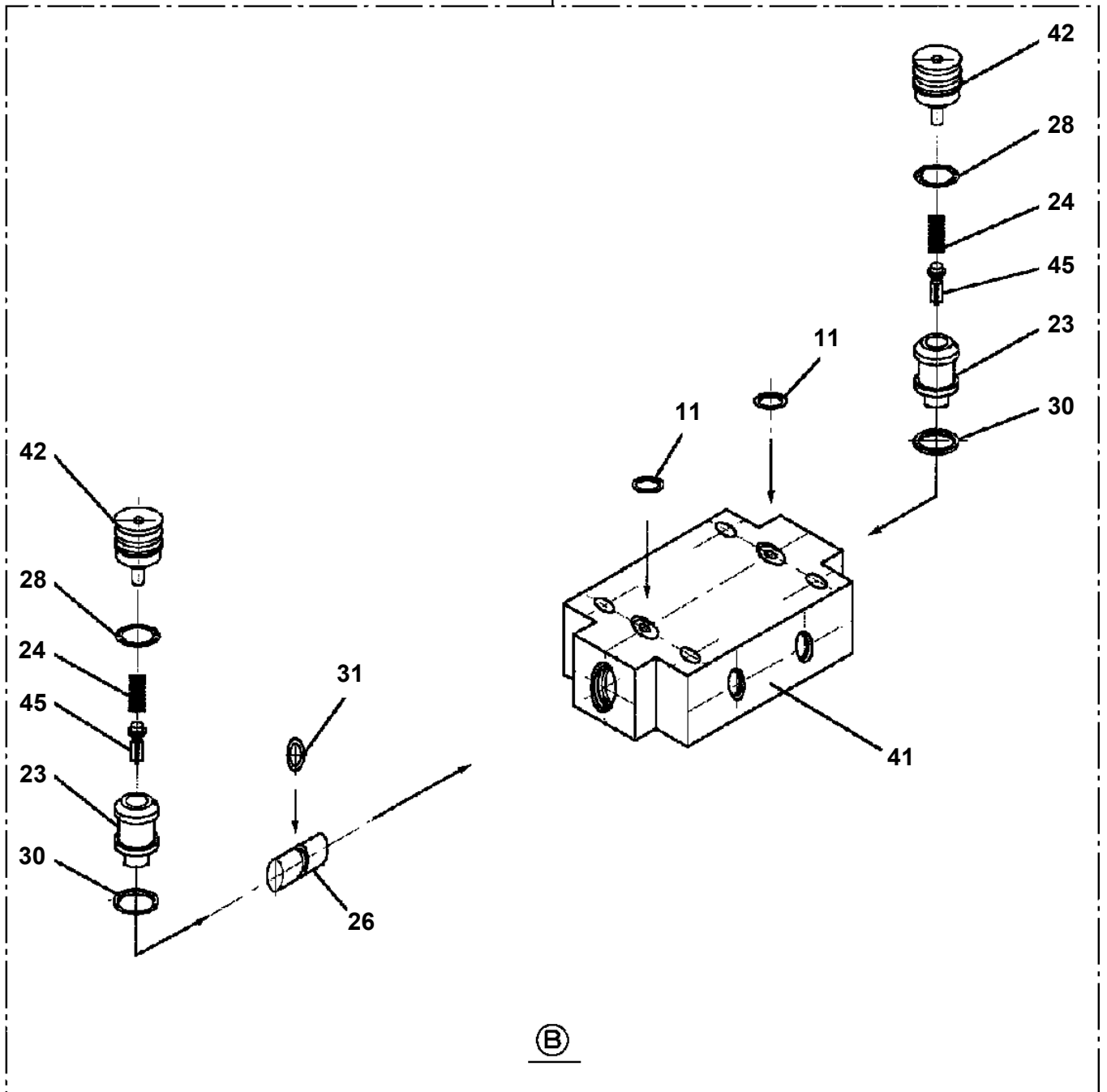
Pos No.	Parts No	Parts Name	Qty	Unit	Technical Data	Serial No (Start)	Serial No (End)	Remarks	Pages
8	36643035010	COIL,SOLENOID	1						
12	91000501200	O-RING	1						
17	59251502170	O-RING	1						
18	36622285050	O-RING	4						
30	36643030000	VALVE,SOLENOID	1						

# AT-142-1 42020100012 UPPER

Pos No.	Parts No	Parts Name	Qty	Unit	Technical Data	Serial No (Start)	Serial No (End)	Remarks
3	36646945010	PIN	2					
4	36646945020	COVER	2					
5	36646945030	WASHER	2					
6	36646905010	SPRING	2					
21	91000501200	O-RING	5					
22	91000500700	O-RING	2					
24	91002800300	O-RING	2		1B P3			
25	91000501000	O-RING	2		AS568-010			
26	91000501600	O-RING	2					
27	36646945070	COVER	2					
29	90131505040	BOLT,HEXAGON SOCKET	4		M5X40			
30	90131504015	BOLT,HEXAGON SOCKET	1		M4X15			
31	90131505025	BOLT,HEXAGON SOCKET	8		M5X25			
50	36646900000	VALVE,SOLENOID	1					

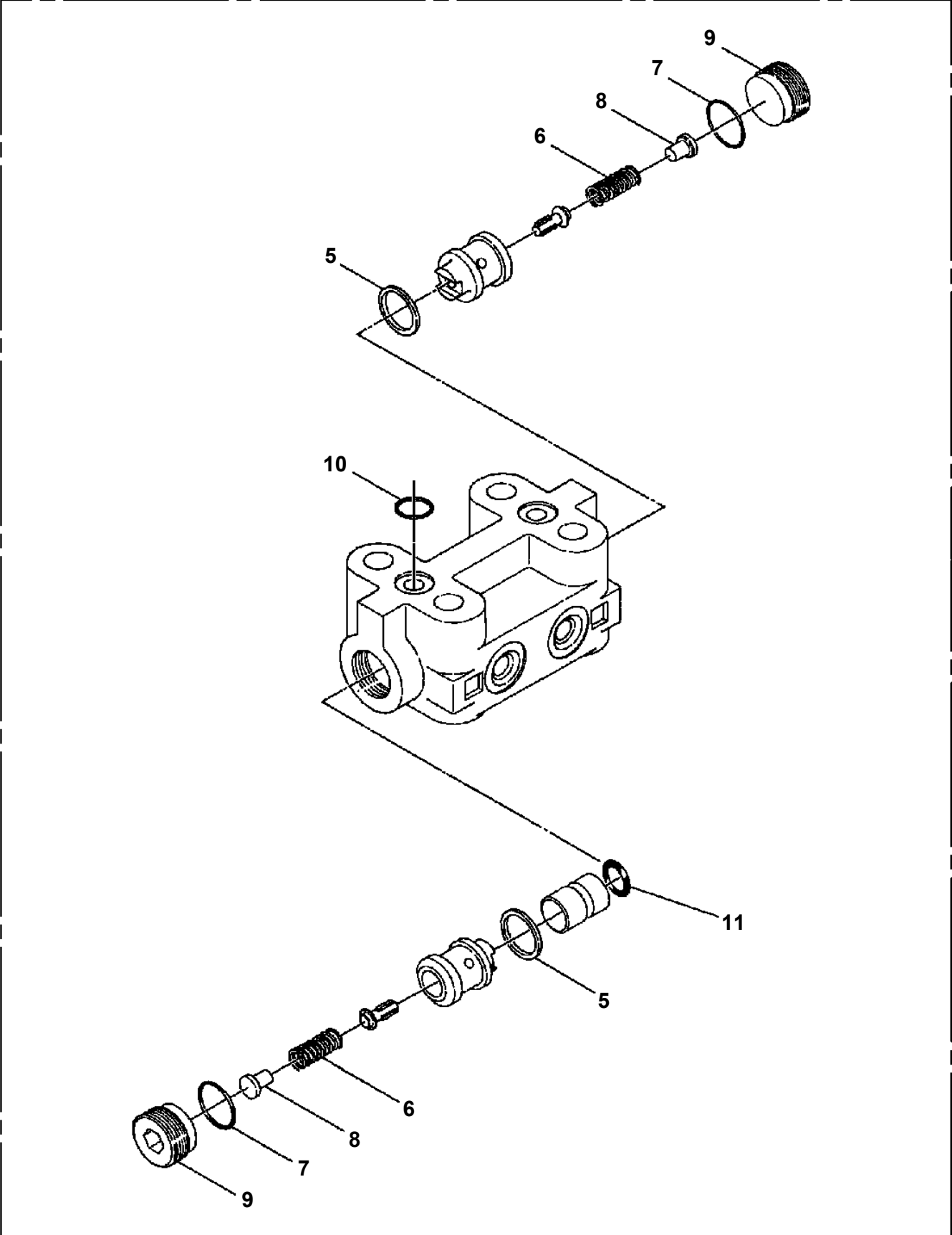
AT-142-1 42020100012 UPPER  
PI1140133-01 VALVE,CHECK

100



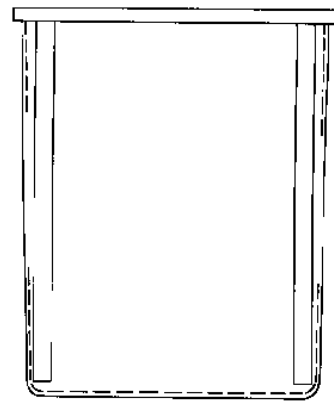
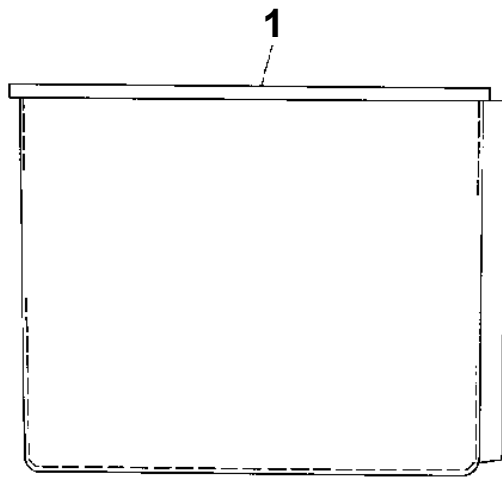
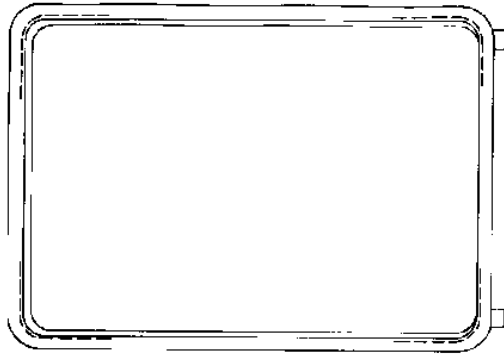
AT-142-1 42020100012 UPPER  
PI1280067-01 VALVE,PILOT CHECK

100

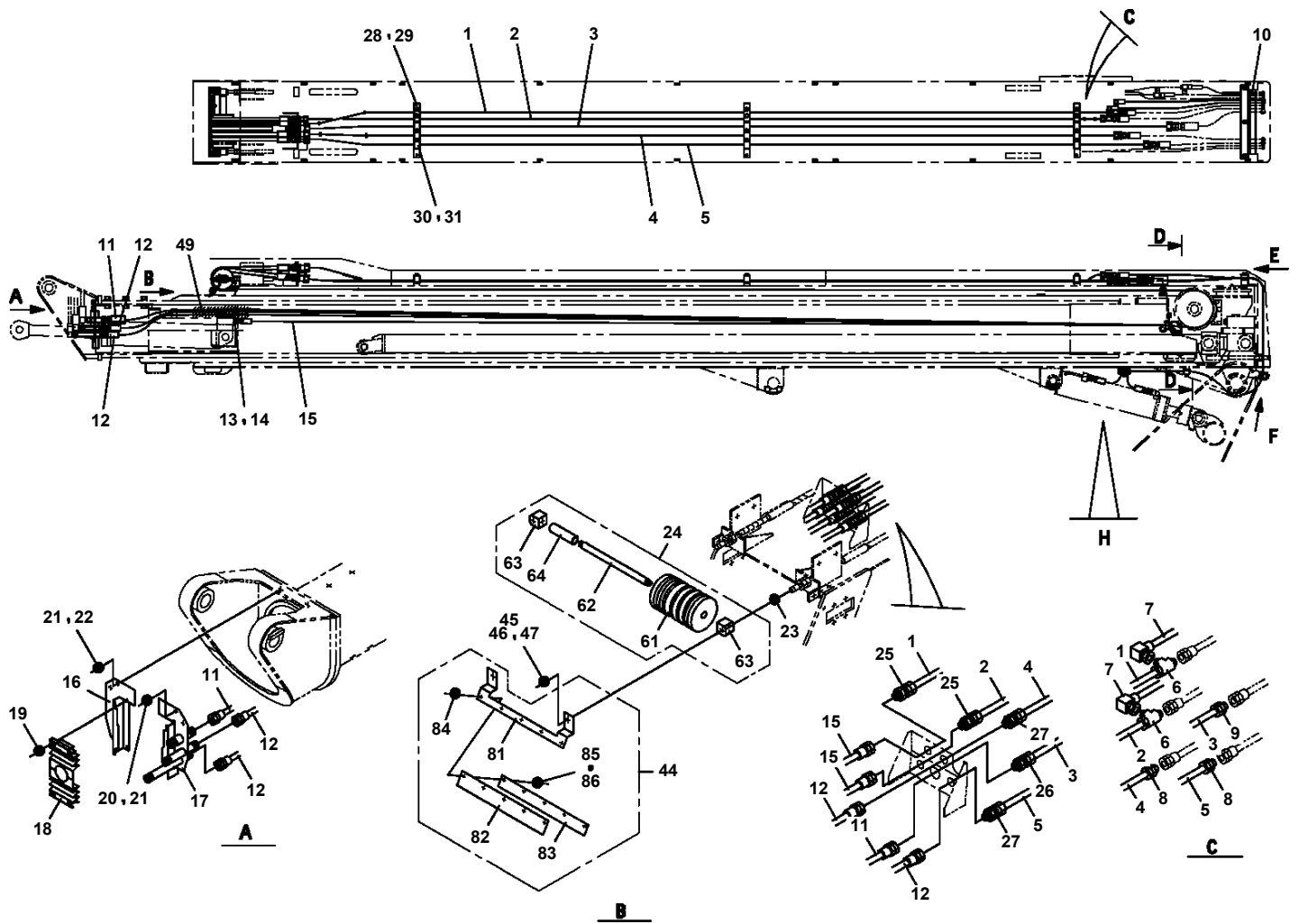


**AT-142-1 42020100012 UPPER**  
**PJ3010133-00 BUCKET**

Assembly Name BUCKET



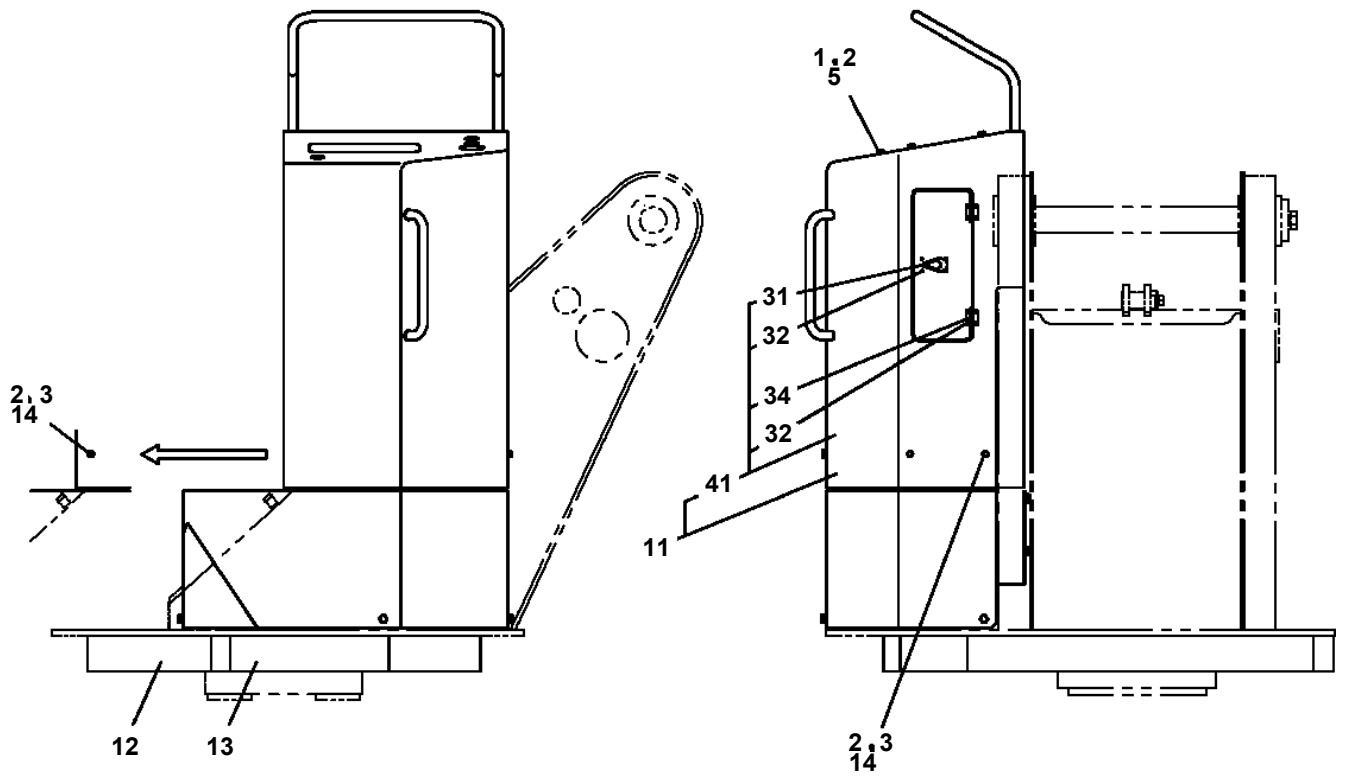
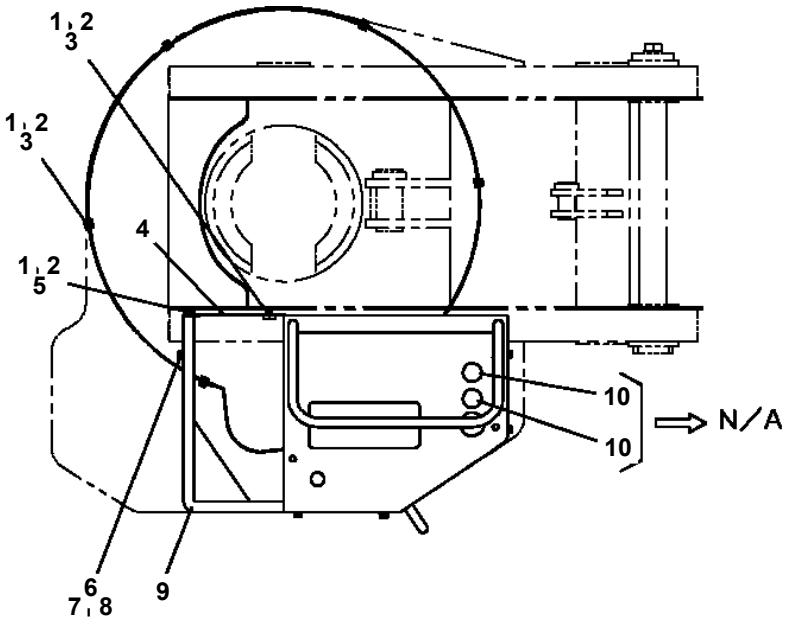
**AT-142-1 42020100012 UPPER  
PJ3100084-03 PIPING,BOOM**



# AT-142-1 42020100012 UPPER

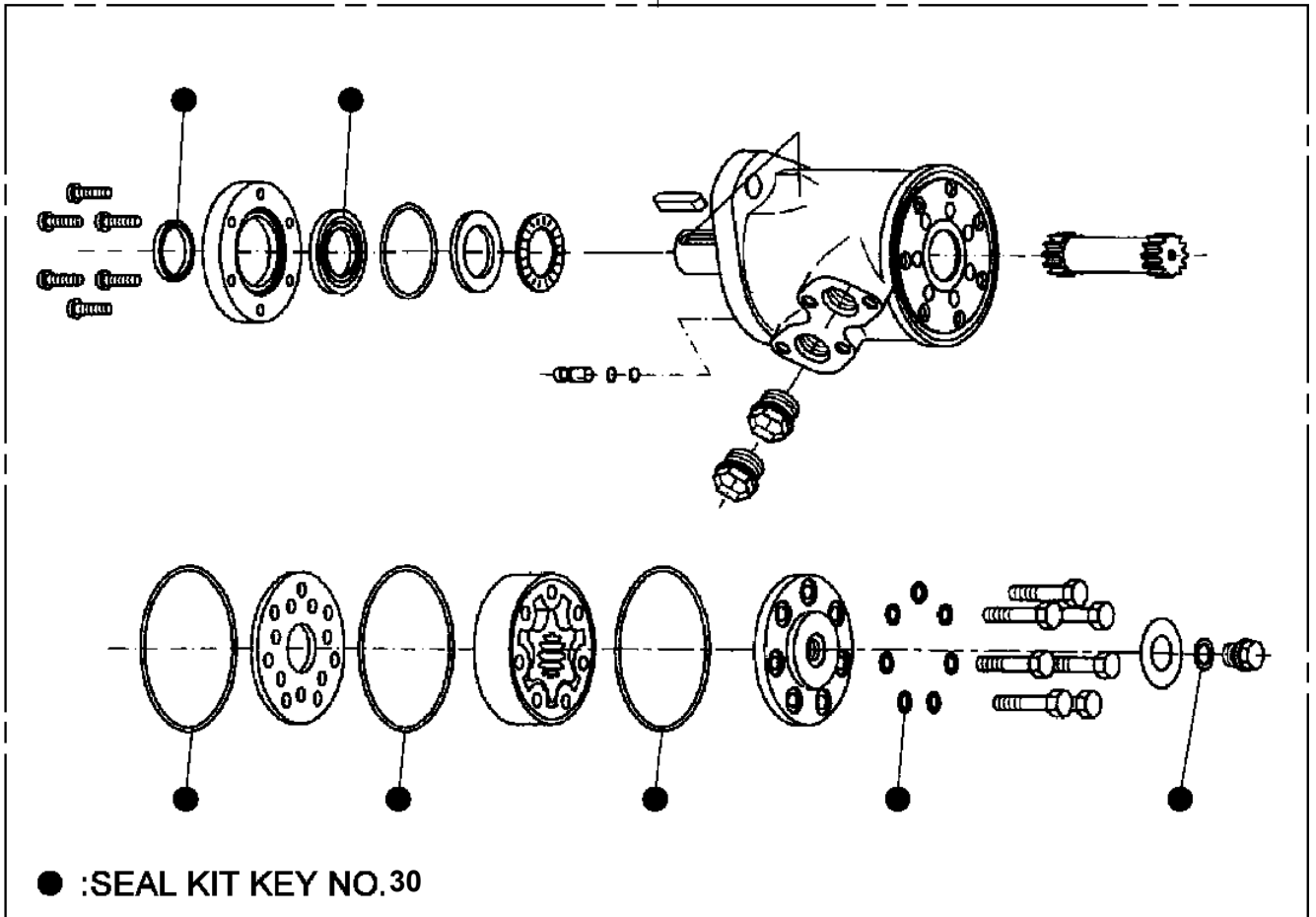
Pos No.	Parts No	Parts Name	Qty	Unit	Technical Data	Serial No (Start)	Serial No (End)	R
1	42343750100	GUARD	1				590078	
2	90101208014	BOLT	10		M8X14		590078	
	90101208014	BOLT	8		M8X14	590079		
3	90302040801	WASHER,SPRING	10		8		590078	
	90302040801	WASHER,SPRING	8		8	590079		
4	37002460350	HOSE	1		L=260			
5	37002459270	HOSE	1		L=300			
7	81408000160	PIPE,STEEL	1	M	12X1.4T			
8	81408000160	PIPE,STEEL	1	M	12X1.4T			
10	37000711080	CLAMP ASSY	1		12-2			
11	81408000160	PIPE,STEEL	1	M	12X1.4T			
13	37002445170	HOSE	2		L=235			
14	37000921890	JOINT	1					
15	80313020060	GASKET	2					
16	37000908730	JOINT (WITH O-RING)	2		L,G3/8-G1/4			
17	91002801400	O-RING	2		1B P14	590091		
18	37000920980	JOINT	1		PF3/8-PF3/8			
19	37002461860	HOSE	2		L=425			
20	37000908460	JOINT	2					
21	80456020610	JOINT,SELF SEALING	1					
22	42340013200	JOINT,SELF SEALING (WITH CAP)	1					
23	37000917210	FITTING	4		PF1/4XPF1/4			
24	37001600810	NUT	4		PF1/4			
25	37002433320	HOSE	1		L=430			
26	37002445210	HOSE	1		L=420			
27	37002448950	HOSE	2		L=400			
28	80320020075	FITTING	2		KUF12-020N			
29	80320020080	FITTING	1		KUF12-030N			
30	37002460360	HOSE	2		L=780			
31	37002460370	HOSE	1		L=800			
32	37000917220	FITTING	1		PF3/8XPF3/8			
33	37001600820	NUT	1		PF3/8			
34	91810132530	FASTENER	5					
35	82100001735	SLEEVE	4					
36	42310040050	ROPE (TETORON)	2					
37	91810130230	FASTENER	2					
38	82100001412	TUBE,SPIRAL	1	M	SE-12BK			
39	42343750200	SUPPORT	1					
40	80320010075	FITTING	1		KUD12-020N			
41	91001001400	O-RING	2		1A S14	590076		
51	80471020502	JOINT	2					
52	91002801100	O-RING	5		1B P11		590064	
	91002801100	O-RING	7		1B P11			
	91002801100	O-RING	9		1B P11	590065		
53	80430620600	JOINT (WITH O-RING)	1		L,G3/8-G3/8			
54	80430620400	JOINT	4					
55	37000923950	JOINT	1				590064	
56	91002801800	O-RING	2		1B P18		590064	
57	80400160127	JOINT	2					
58	36604750000	VALVE,RELIEF	1					
59	36646890000	VALVE,SOLENOID	1				590064	
60	36646900000	VALVE,SOLENOID	1				590064	
61	80316070080	PLUG	1		PF1/2		590064	
62	42343752010	FITTING,FLANGE	1				590064	
75	37000921300	JOINT	1		S,PF1/4-PF1/4			
	37000921300	JOINT	3		S,PF1/4-PF1/4	590065		
	37000924180	JOINT	3			590172		
76	90172106040	BOLT,HEXAGON SOCKET	4		M6X40		590065	
79	42342842000	VALVE ASSY,SOLENOID	1				590065	
80	36647480000	VALVE,SOLENOID	1				590065	
81	80316070040	PLUG	1		PF1/4		590065	
82	42343753010	FITTING,FLANGE	1				590065	
91	36647410000	VALVE,SOLENOID	2					

AT-142-1 42020100012 UPPER  
PK1200285-02 COVER, SWING FRAME



AT-142-1 42020100012 UPPER  
PM5210024-00 MOTOR ASSY,OIL

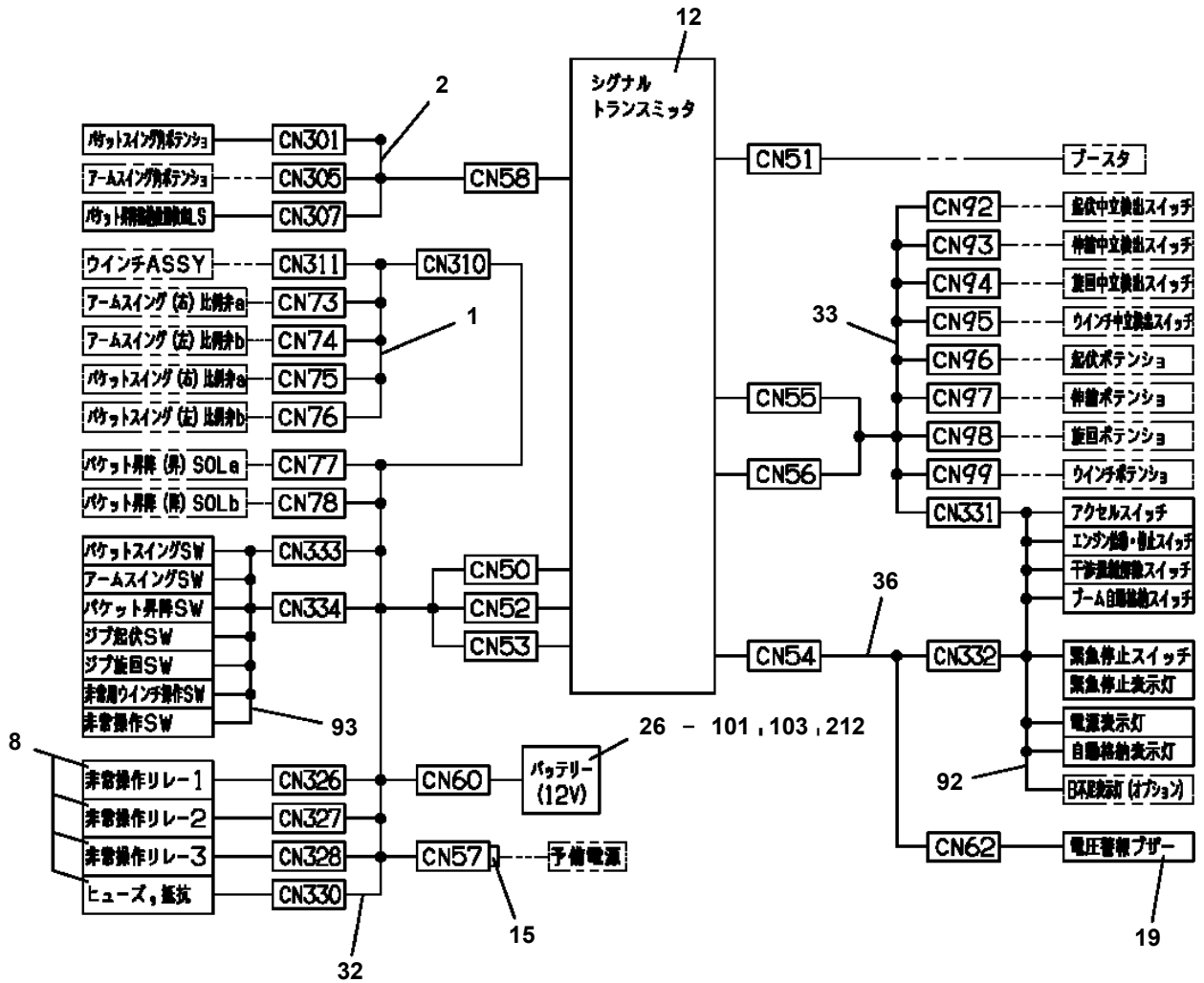
100



# AT-142-1 42020100012 UPPER

Pos No.	Parts No	Parts Name	Qty	Unit	Technical Data	Serial No (Start)	Serial No
1	42651090101	HARNESS	1				
2	42651090200	HARNESS	1				
4	42651091001	RELAY BOX ASSY	1				
5	90101210014	BOLT	4		M10X14		
6	90302041001	WASHER,SPRING	4		10		
7	42474530100	LAMP ASSY	1				
8	42650600300	SWITCH ASSY (WITH HARNESS,1 SW)	1				
9	90172105014	BOLT,HEXAGON SOCKET	2		M5X14		
10	82100002018	CLAMP	9		WR35		
11	90201200800	NUT	11		M8		
12	90302040801	WASHER,SPRING	11		8		
13	82100002010	CLAMP	5		WR15		
14	90201200600	NUT	15		M6		
15	90302040601	WASHER,SPRING	15		6		
16	90303070801	WASHER,PLAIN	1		8		
17	82100002007	CLAMP	1		WRC10		
18	91810130240	FASTENER	15				
19	82100002002	CLAMP	6		WR6		
20	82100002012	CLAMP	1		WR18		
21	80182406014	SCREW,MACHINE	6		M6X14		
22	90302350601	WASHER,SPRING (6)	4				
23	37000549450	PLATE	4				
24	82100002014	CLAMP	1		WR20		
25	82104103010	SWITCH,LIMIT	1				
27	42651092000	PANEL,CONTROL	1				
28	42433330020	PLUG (2 POLES,FEMALE)	1				
29	90813108020	BOLT,WING	1		M8X20		
30	42651090300	HARNESS	1		L=1060		
31	82100002006	CLAMP	1		WR10		
32	44430680200	BUZZER ASSY (WITH HARNESS)	1				
33	82100002596	RELAY	1				
51	42650993100	CASE	1				
52	42650993300	COVER	1				
53	80182306014	SCREW,MACHINE	12		M6X14		
54	90302040601	WASHER,SPRING	26		6		
55	90303070601	WASHER,PLAIN	14		6		
56	82161202010	RELAY	2				
57	90101206014	BOLT	9		M6X14		
58	82100002596	RELAY	3				590092
	82100002596	RELAY	4			590093	590095
	82100002596	RELAY	3			590096	
59	82161201010	RELAY	3				590095
	82161201010	RELAY	4			590096	
60	82100002597	RELAY	2				590092
	82100002597	RELAY	1			590093	
61	42650801700	TERMINAL ASSY	1				
62	80172303016	SCREW,MACHINE	2		M3X16		
63	90302040301	WASHER,SPRING	8		3		
64	90303070301	WASHER,PLAIN	8		3		
65	80172303008	SCREW,MACHINE	6		M3X8		
66	42651132400	RELAY ASSY	1				
67	82100002014	CLAMP	1		WR20		
68	90201200600	NUT	5		M6		
69	42735530100	FLASHER UNIT	1				
70	42651091100	RELAY ASSY	2				
87	34351562510	BOX,FUSE	1				
88	82100001841	FUSE	4		20A,YELLOW		
89	82100001839	FUSE	10		10A.RED		
91	42650331300	SWITCH ASSY (WITH 3 SWITCH)	4				590084
92	42950161150	COVER	4				
93	42950421100	SUPPORT	4				
94	80182308012	SCREW,MACHINE	8		M8X12		
95	90302040801	WASHER,SPRING	20		8		

AT-142-1 42020100012 UPPER  
 PN1011889-03 ELEC.ASSY (BUCKET)

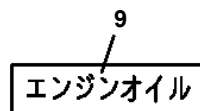
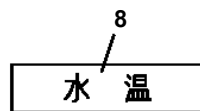
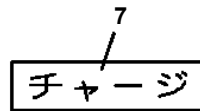
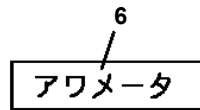
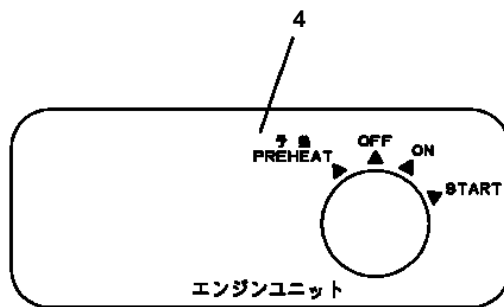
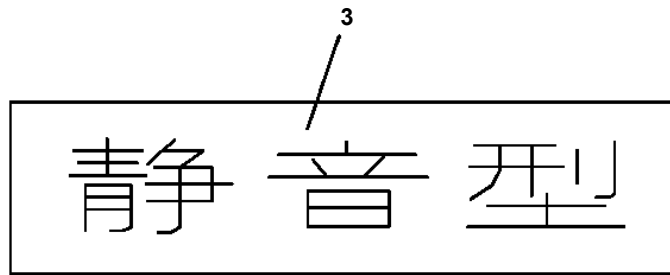


配線詳細図

# AT-142-1 42020100012 UPPER

Pos No.	Parts No	Parts Name	Qty	Unit	Technical Data	Serial No (Start)	Serial No (End)	Remarks	Pages
1	42433851000	CABLE,SIGNAL	1						
2	37000711000	CLAMP ASSY	5		12-1				
3	37000300710	SLEEVE	4		12-8				
5	91810130240	FASTENER	20						
6	82100001410	TUBE,SPIRAL	1	M	SE-04BK				
11	91810132530	FASTENER	30						
12	82100001410	TUBE,SPIRAL	1	M	SE-04BK				
13	82100002006	CLAMP	2		WR10	590065			
14	90302040601	WASHER,SPRING	2		6	590065			
15	90201200600	NUT	2		M6	590065			
16	80192483010	SCREW,MACHINE	3		M3X10	590086			

AT-142-1 42020100012 UPPER  
 PO1012235-01 PLATE ASSY,NAME (ENGINE UNIT)

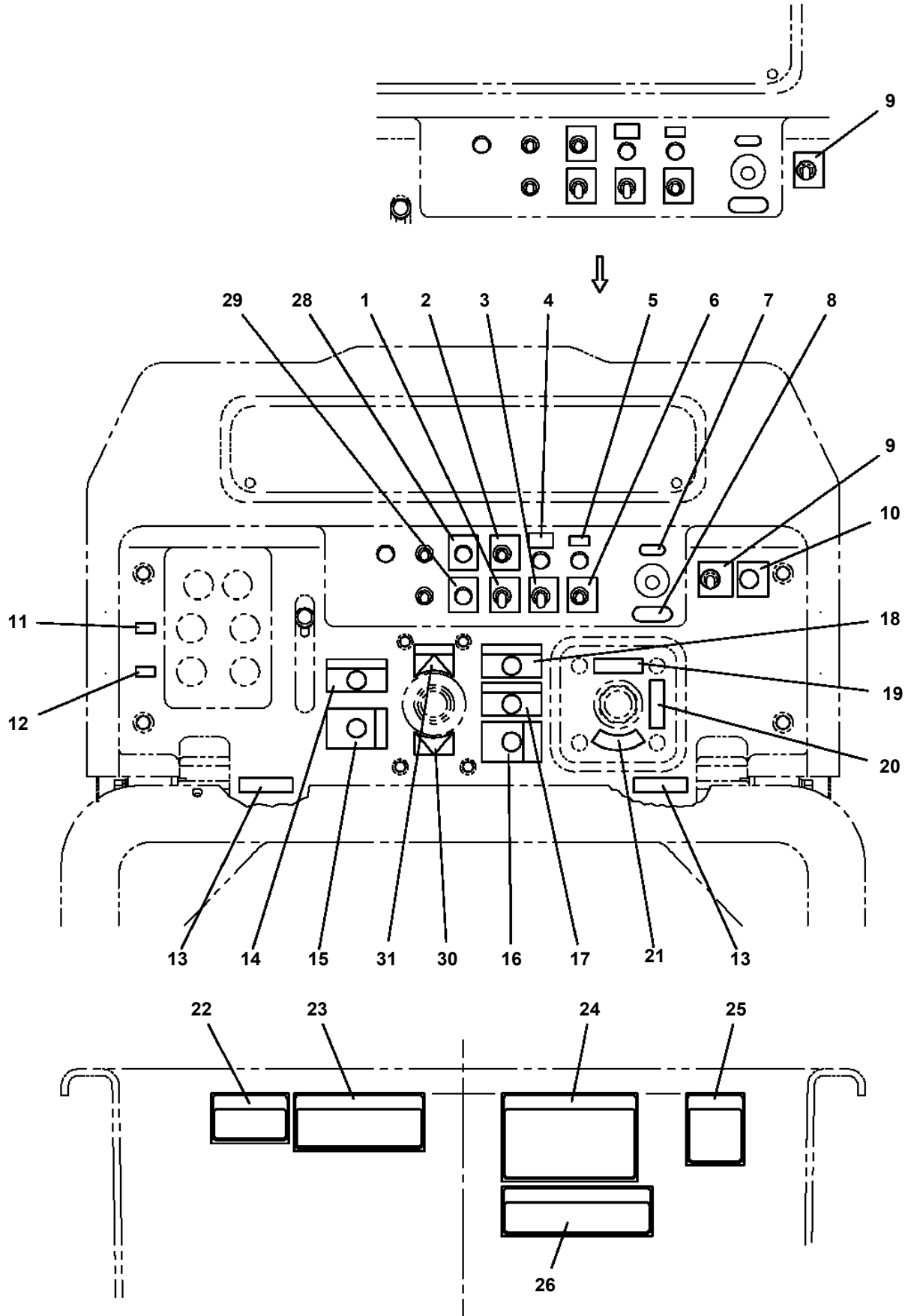


10

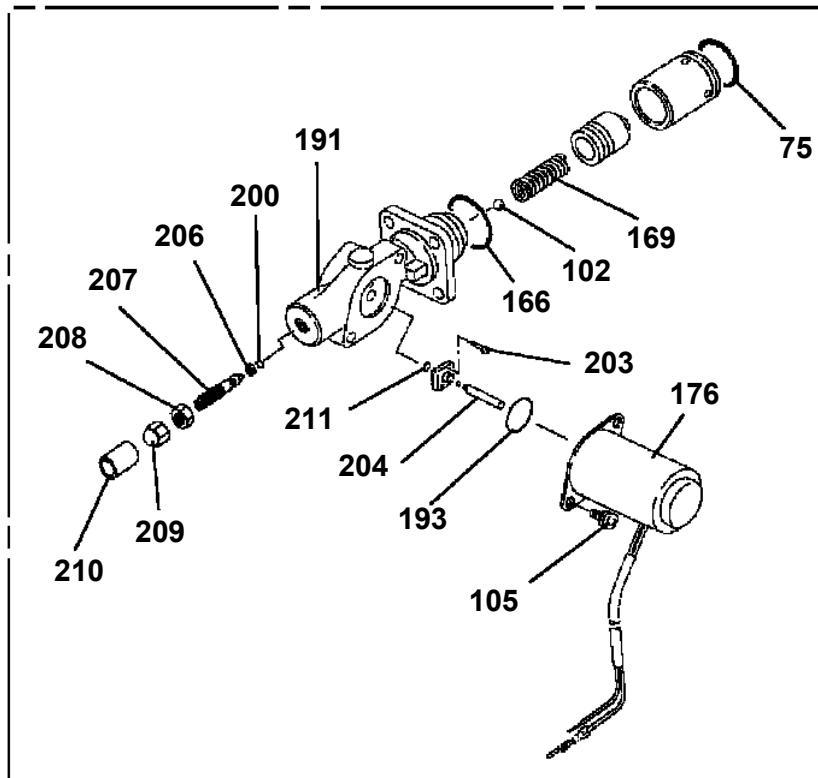
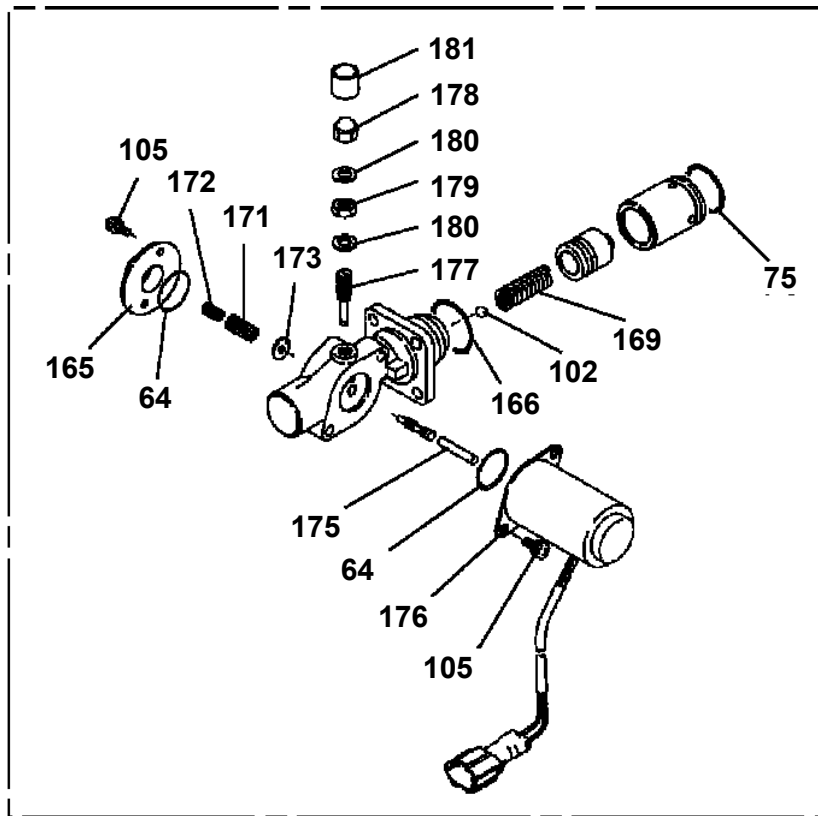
電圧	30A	リレー回路 燃料供給ポンプ	10A
		リレー回路 アクセルSOL	10A
		アワメータ ランプ電圧	10A
		予備電圧	10A
		スベア	10A
		スベア	10A

420-020-02000

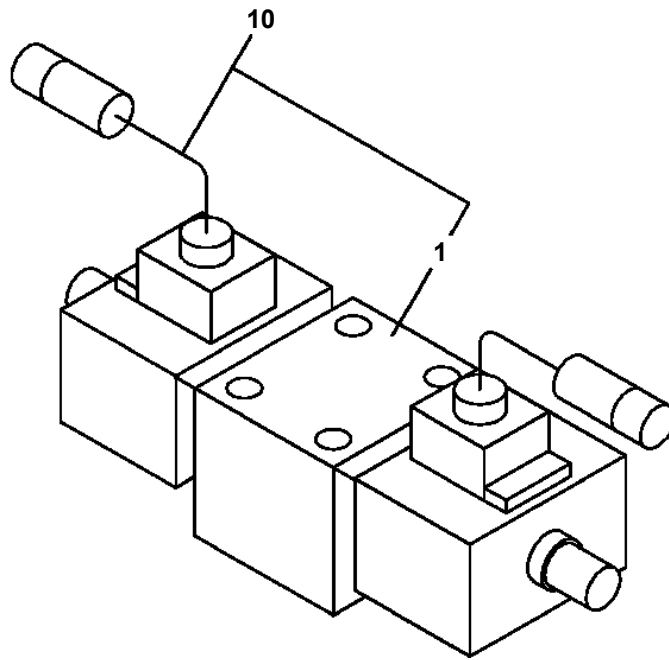
**AT-142-1 42020100012 UPPER  
PO1012421-00 PLATE ASSY,NAME (BUCKET)**



AT-142-1 42020100012 UPPER  
PV1020127-05 VALVE,REMOTE CONTROL

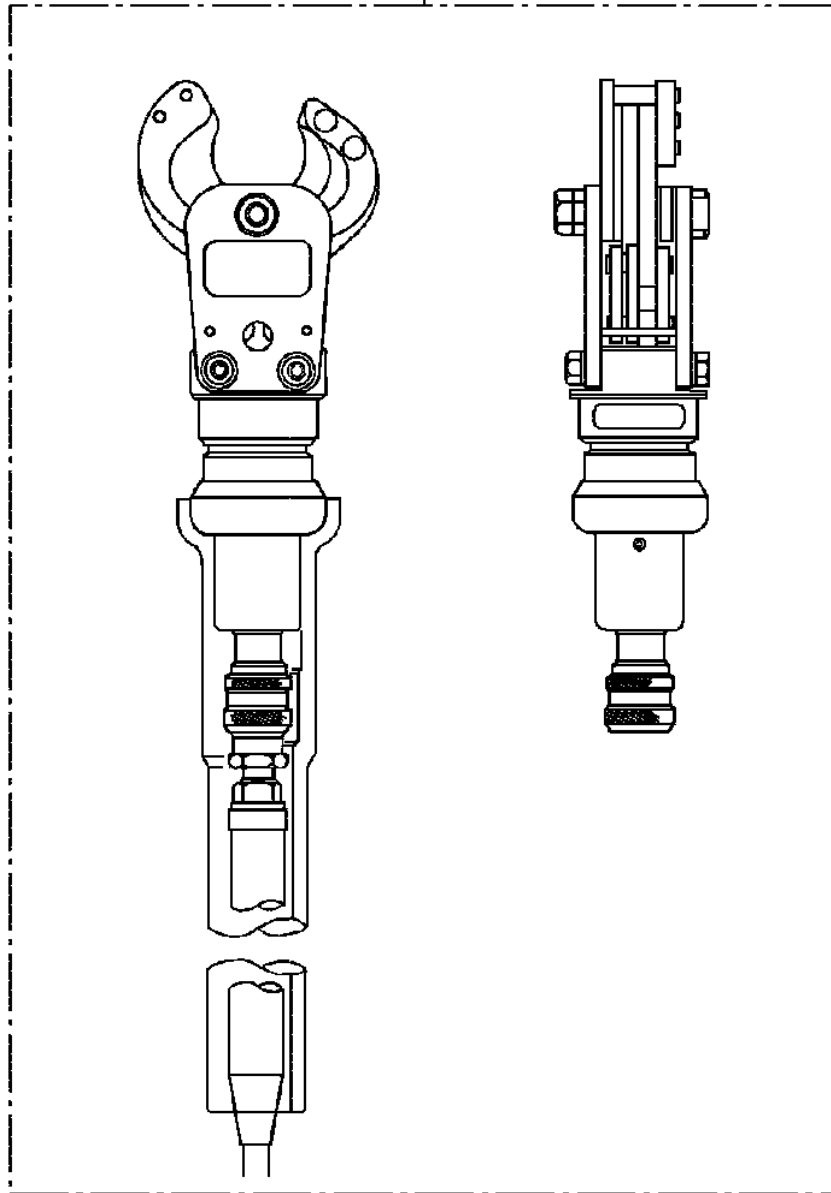


**AT-142-1 42020100012 UPPER  
PV5240012-00 VALVE ASSY,SOLENOID**

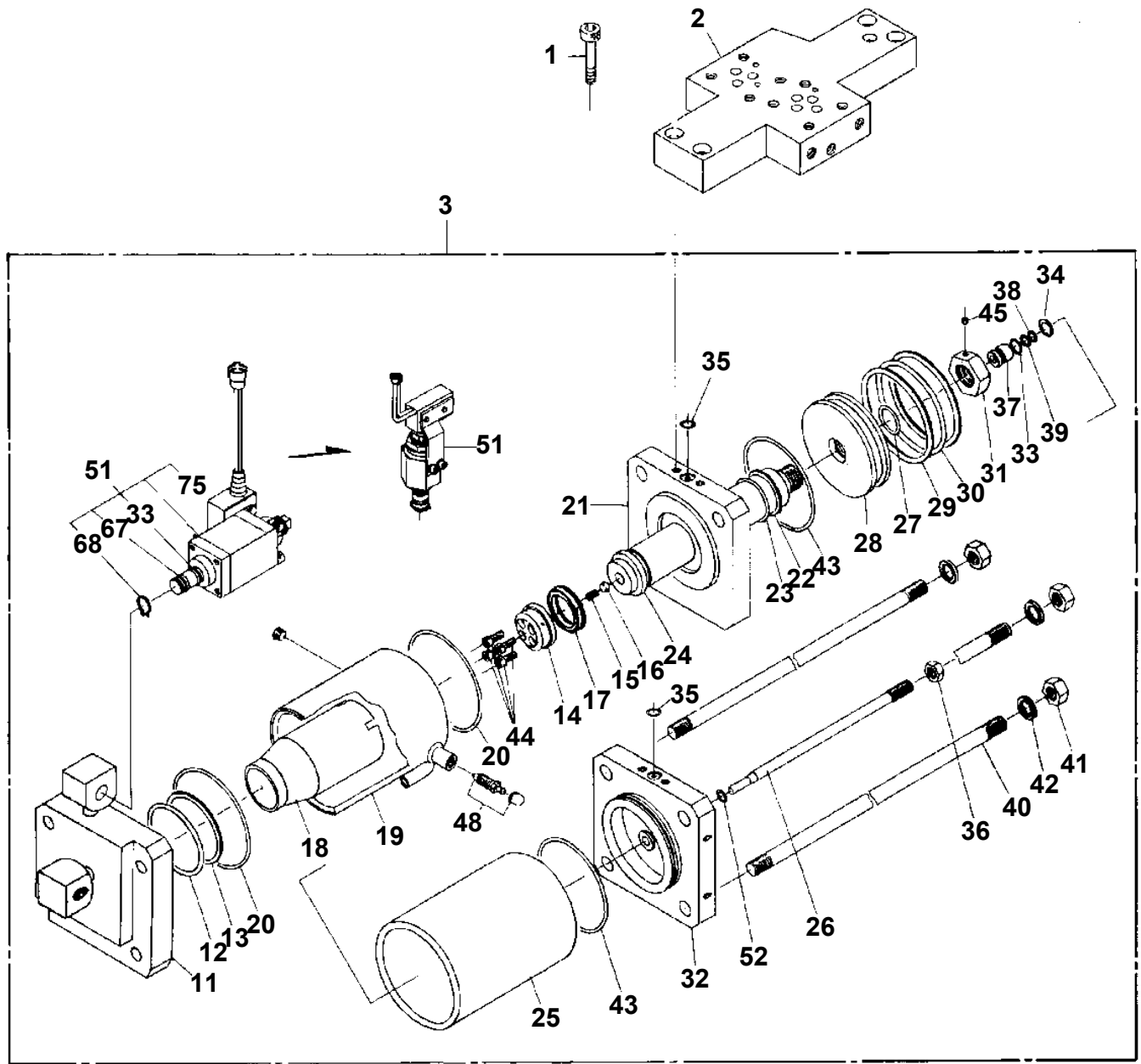


**AT-142-1 42020100012 UPPER  
PY1060004-01 CUTTER HEAD (IZUMI 6.4TON 2.5M ELECTRICSANWA)**

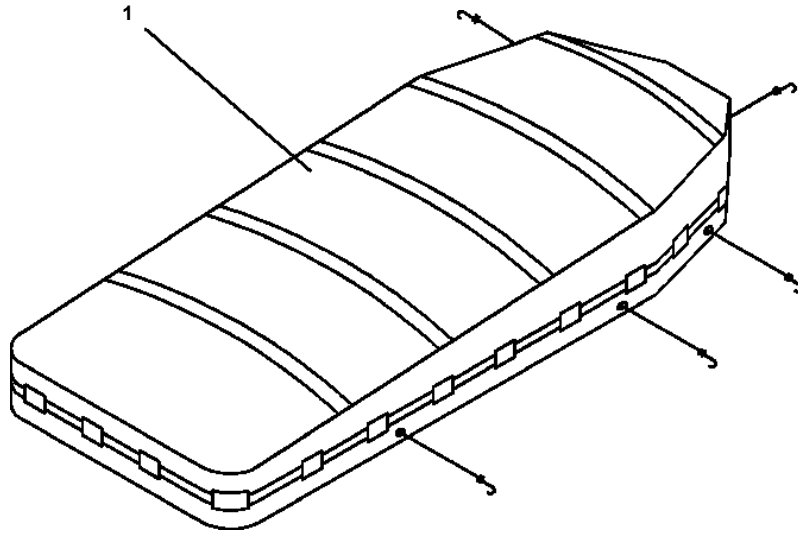
1



AT-142-1 42020100012 UPPER  
PY1170016-01 BOOSTER (700KG/CM2)



AT-142-1 42020100012 UPPER  
PY1540035-00 COVER,BUCKET (BLUE)



CLICK HERE TO **DOWNLOAD** THE COMPLETE MANUAL

- Thank you very much for reading the preview of the manual.
- You can download the complete manual from: [www.heydownloads.com](http://www.heydownloads.com) by clicking the link below



- Please note: If there is no response to CLICKING the link, please download this PDF first and then click on it.

CLICK HERE TO **DOWNLOAD** THE COMPLETE MANUAL