

**AT-142-1 42020140500 LOWER,ISUZU U-NPR66GYN**  
**PX1000268-01 MOUNTING PARTS**  
**ASSEMBLY**

CLICK HERE TO **DOWNLOAD** THE COMPLETE MANUAL

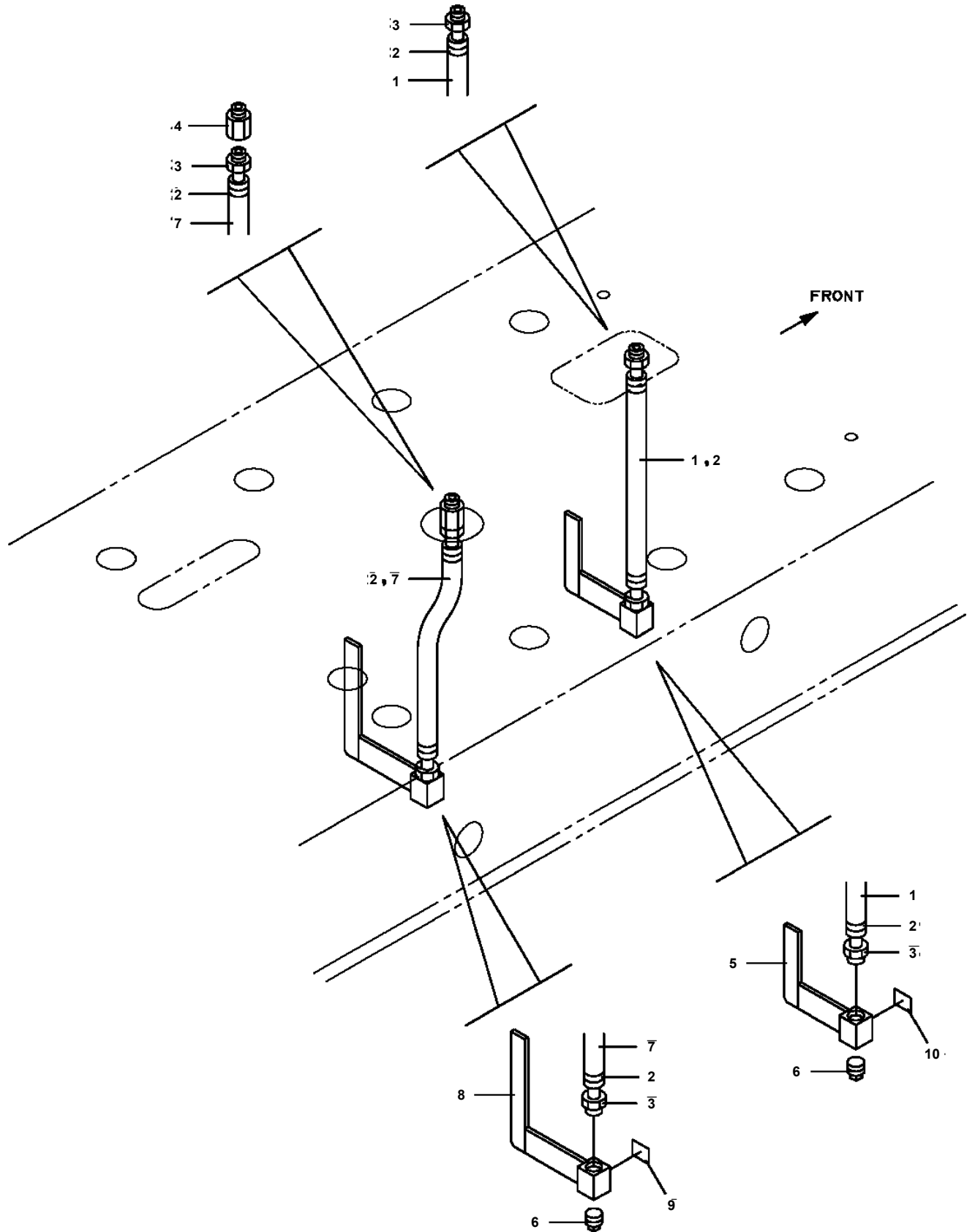
- Thank you very much for reading the preview of the manual.
- You can download the complete manual from: [www.heydownloads.com](http://www.heydownloads.com) by clicking the link below



- Please note: If there is no response to CLICKING the link, please download this PDF first and then click on it.

CLICK HERE TO **DOWNLOAD** THE COMPLETE MANUAL

AT-142-1 42020140500 LOWER,ISUZU U-NPR66GYN  
PB1270045-00 PIPING,DRAIN (POWER SUPPLY)



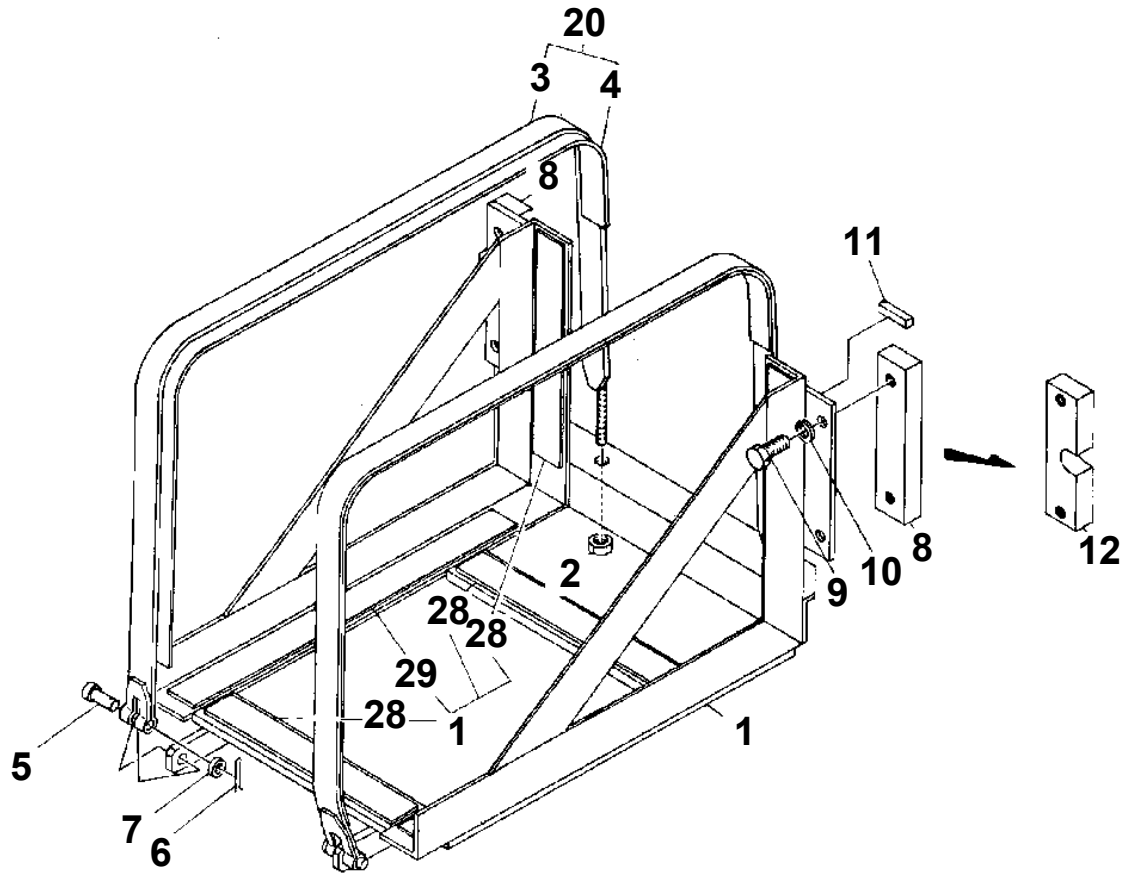
**AT-142-1 42020140500 LOWER,ISUZU U-NPR66GYN**

Pos No.	Parts No	Parts Name	Qty	Unit	Technical Data	Serial No (Start)	Serial No (End)	Remarks	Pages
1	42800861000	SWITCH ASSY	1						
2	42800860010	SUPPORT	1						
3	90101206016	BOLT	4		M6X16				
4	90302040601	WASHER,SPRING	7		6				
5	90190000008	BOLT,STUD	3		M6X20				
6	90201200600	NUT	3		M6				
7	82100002012	CLAMP	3		WR18				
8	42700330100	HARNESS	1						
21	42800861100	SWITCH,LIMIT	1						

# AT-142-1 42020140500 LOWER,ISUZU U-NPR66GYN

Pos No.	Parts No	Parts Name	Qty	Unit	Technical Data	Serial No (Start)	Serial No (End)	Remark
1	91810132530	FASTENER	20					
2	(*****)	HOUR METER	1					
3	42802380200	SUPPORT	1					
4	37000508600	PLATE	1					
5	82100002017	CLAMP	4		WR30			
6	82100001216	CAP	1					
7	82100002038	CLAMP	2		WEC10			
8	42802774000	HARNESS	1					
9	82100002039	CLAMP	1					
10	90101208014	BOLT	24		M8X14			
11	90302040801	WASHER,SPRING	24		8			
12	90201200800	NUT	18		M8			
13	42805650010	HARNESS	1					
15	42805651000	RELAY BOX ASSY	1					
16	37000500690	PLATE	2					
17	90303070801	WASHER,PLAIN	1		8			
18	82420506412	TRIM	N					
19	82100002673	CONNECTOR (0.5-0.85,RED)	2					
20	37002705220	CABLE ASSY	1					
21	82100001807	TUBE,CORRUGATE	1	M	28			
22	82100001322	CONNECTOR	1					
23	82100002011	CLAMP	4		WRC15			
24	82100000192	TERMINAL	2					
25	82100000182	INSULATOR	2					
26	82100002009	CLAMP	4		WRC12			
27	82100000191	TERMINAL	2					
28	82100000183	INSULATOR	2					
29	82119901038	CONNECTOR	1					
40	82100002233	LAMP,PILOT	1					
41	82100000665	CAP (BLACK)	1					
42	82100002483	SWITCH,TOGGLE	1					
43	82100001382	SWITCH,PUSH (BLACK)	1					
51	80172303008	SCREW,MACHINE	4		M3X8			
52	80172304008	SCREW,MACHINE	4		M4X8			
53	90302040301	WASHER,SPRING	4		3			
54	42711230200	RELAY ASSY (ASSY ONLY)	1					
55	82100002441	BOX,FUSE	1					
56	80172305012	SCREW,MACHINE	2		M5X12			
57	90303070501	WASHER,PLAIN	2		5			
58	90302040501	WASHER,SPRING	2		5			
59	42805651100	RELAY BOX	1					
60	80182306014	SCREW,MACHINE	6		M6X14			
61	90303070601	WASHER,PLAIN	9		6			
62	90302040601	WASHER,SPRING	21		6			
63	82161202010	RELAY	3					
64	82161201010	RELAY	2					
65	42802771200	COVER	1					
66	80182306016	SCREW,MACHINE	13		M6X16			
67	90201200600	NUT	2		M6			
68	82100002008	CLAMP	1		WR12			
69	82100002014	CLAMP	1		WR20			
70	91810130240	FASTENER	5					
71	42650335602	CONVERTER (DC-DC,12V)	1					
72	90302040401	WASHER,SPRING	4		4			
73	42802772200	RELAY ASSY	1					
74	82100002596	RELAY	1					
82	82400000201	GROMMET	1		KG-016			
91	42930460110	SUPPORT	1					
92	42801710200	LAMP ASSY (RED)	1					
93	42800500060	SWITCH,TOGGLE	1					
94	82100001060	PLATE,NAME (ON/OFF)	1					
95	42800500130	PLATE,NAME	1					
101	82100000895	SWITCH,TOGGLE	1					

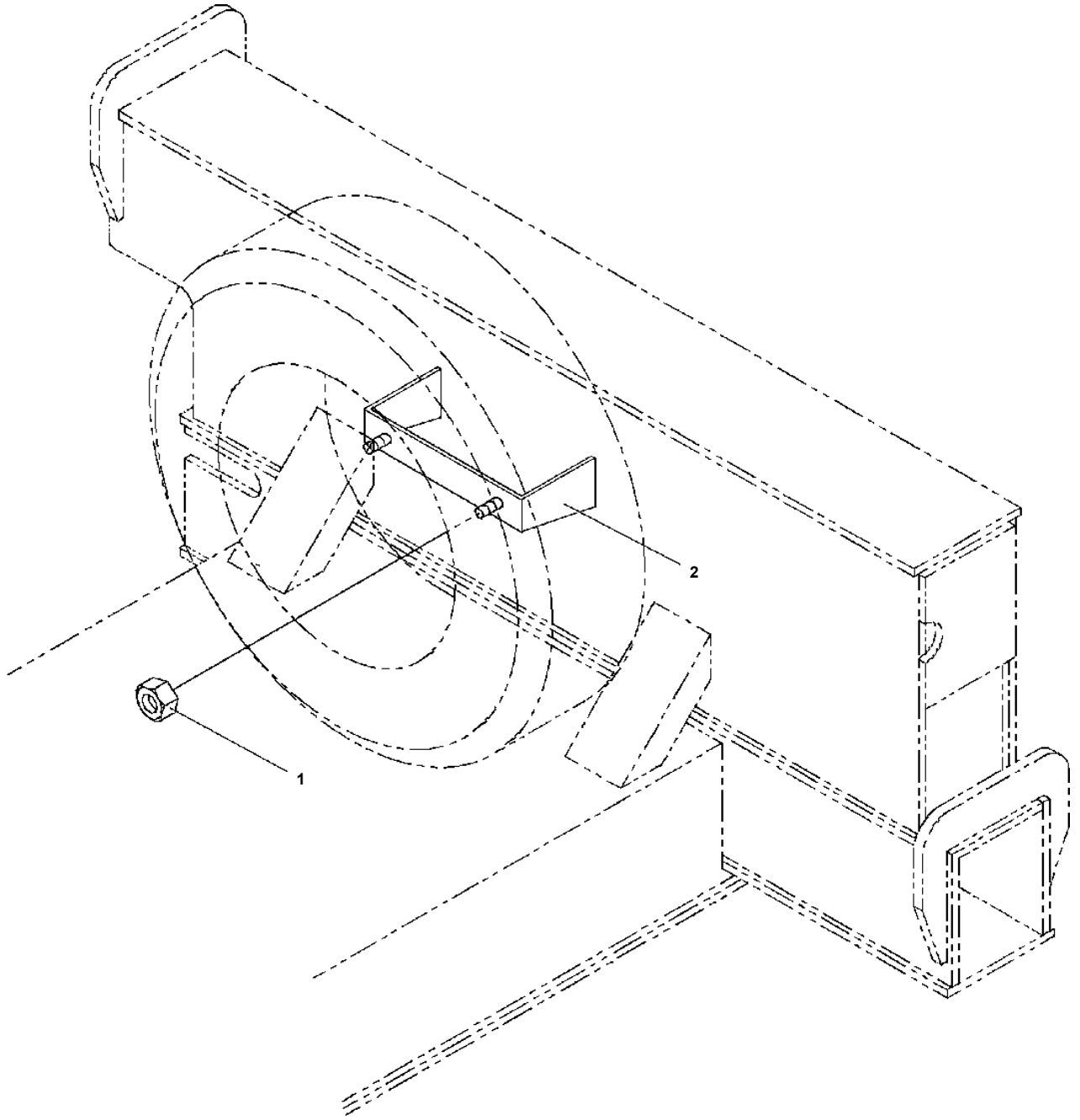
AT-142-1 42020140500 LOWER, ISUZU U-NPR66GYN  
PX1100001-01 TANK SUPPORT INSTALLATION



# AT-142-1 42020140500 LOWER,ISUZU U-NPR66GYN

Pos No.	Parts No	Parts Name	Qty	Unit	Technical Data	Serial No (Start)	Serial No (End)	Remarks	Pa
1	42810360300	STEP	1						
2	90190000049	BOLT	1		M12X25				
3	90302511201	WASHER,SPRING (12)	5						
4	42340013400	GASKET	10						
5	90303521201	WASHER,PLAIN	10		12				
6	42810310230	PLATE	2						
7	42810360200	STEP	1						
8	42810310220	PIPE	1						
9	90190208016	BOLT	8		M8X16				
10	90302510801	WASHER,SPRING (8)	8						
11	90303520801	WASHER,PLAIN	16		8				
12	37000520080	PLATE	8						
13	90190212030	BOLT	4		M12X30				
14	42810361000	CUSHION	1						

**AT-142-1 42020140500 LOWER,ISUZU U-NPR66GYN  
PX1410048-00 MOUNT,TIRE**



CLICK HERE TO **DOWNLOAD** THE COMPLETE MANUAL

- Thank you very much for reading the preview of the manual.
- You can download the complete manual from: [www.heydownloads.com](http://www.heydownloads.com) by clicking the link below



- Please note: If there is no response to CLICKING the link, please download this PDF first and then click on it.

CLICK HERE TO **DOWNLOAD** THE COMPLETE MANUAL