

AT-142-1 42020121000 LOWER,MITSUBISHI U-FE538B6K
PX1000366-00 MOUNTING PARTS
ASSEMBLY

CLICK HERE TO **DOWNLOAD** THE COMPLETE MANUAL

- Thank you very much for reading the preview of the manual.
- You can download the complete manual from: www.heydownloads.com by clicking the link below



- Please note: If there is no response to CLICKING the link, please download this PDF first and then click on it.

CLICK HERE TO **DOWNLOAD** THE COMPLETE MANUAL

AT-142-1 42020121000 LOWER,MITSUBISHI U-FE538B6K

Pos No.	Parts No	Parts Name	Qty	Unit	Technical Data	Serial No (Start)	Serial No (End)	Remarks	Page
1	37002700550	CABLE	1		L=2000				
2	82100001803	TUBE,CORRUGATE	2	M	13				
3	82100002019	CLAMP	1		WR40				
4	90302040801	WASHER,SPRING	2		8				
5	90201200800	NUT	2		M8				
6	82100001216	CAP	1						
7	91810132530	FASTENER	10						
8	82100002011	CLAMP	1		WRC15				
9	90101208020	BOLT	1		M8X20				

AT-142-1 42020121000 LOWER,MITSUBISHI U-FE538B6K

Pos No.	Parts No	Parts Name	Qty	Unit	Technical Data	Serial No (Start)	Serial No (End)	Remarks	Pages
3	90101208012	BOLT	2		M8X12				
4	90302040801	WASHER,SPRING	6		8				
5	90101208020	BOLT	4		M8X20				
6	90303070801	WASHER,PLAIN	2		8	590061			
11	42893870300	PIPE	1				590111		
12	42893870400	COVER	1						
17	42894110100	PIPE	1			590112			

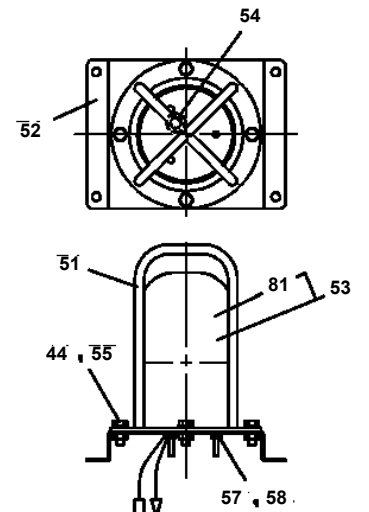
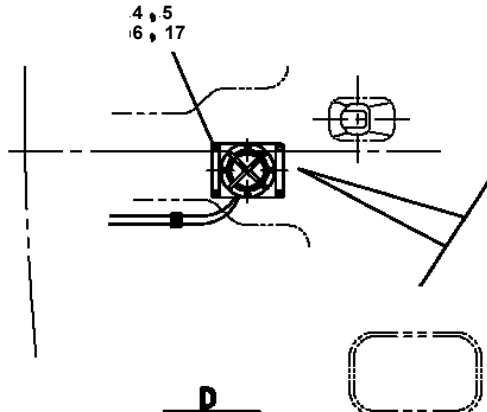
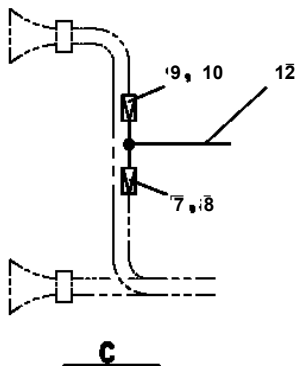
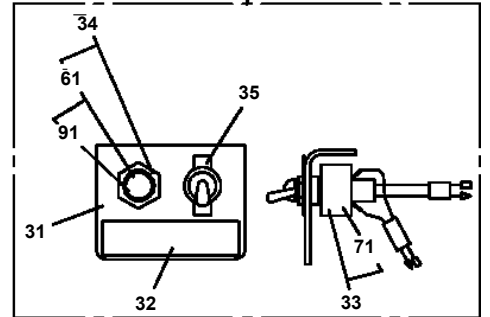
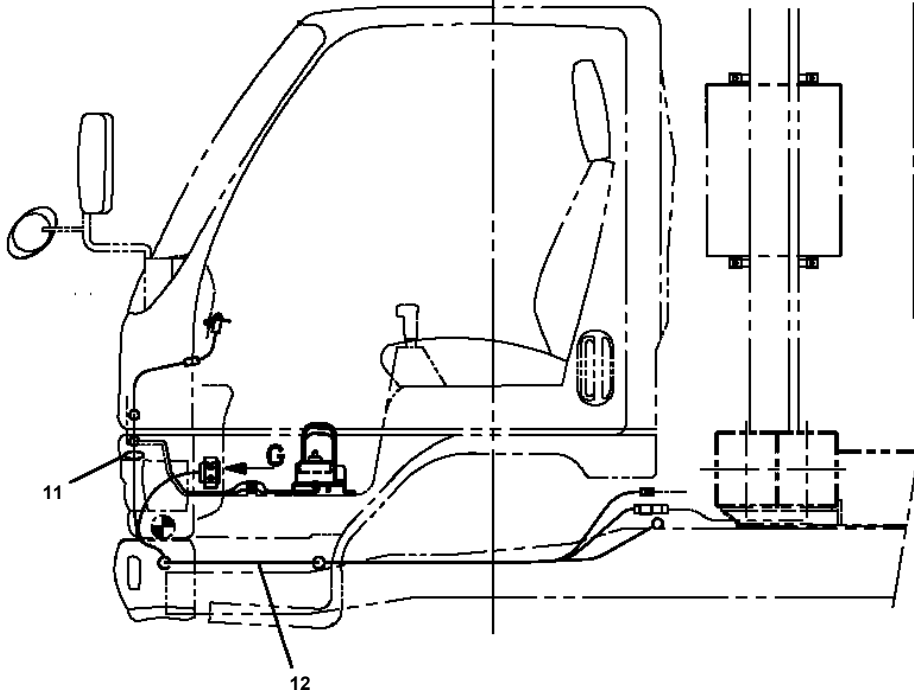
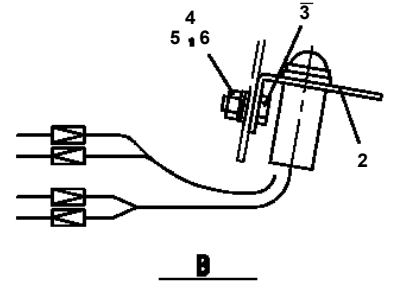
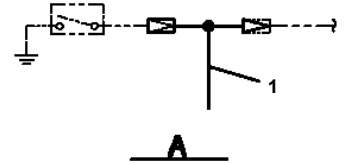
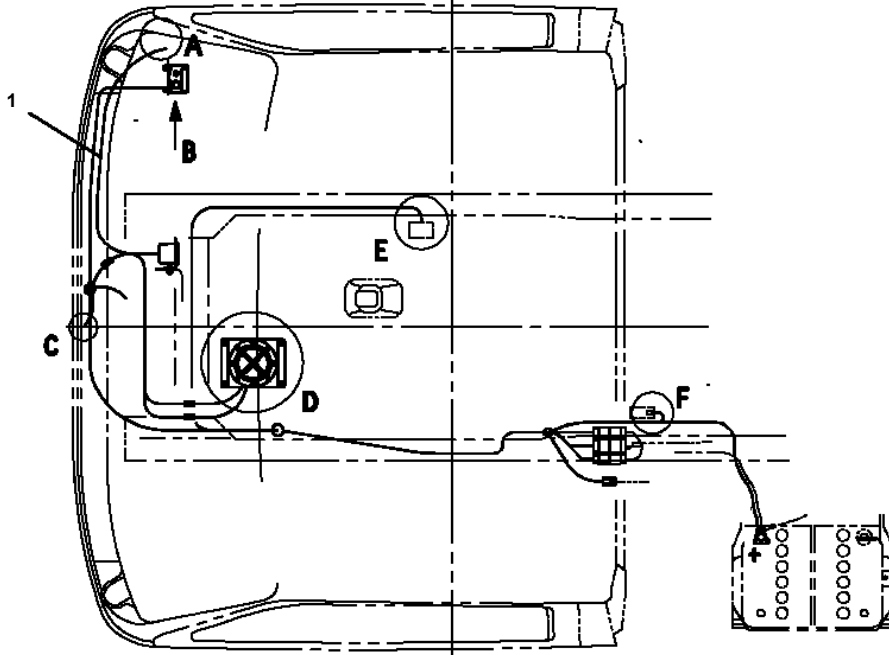
AT-142-1 42020121000 LOWER,MITSUBISHI U-FE538B6K

Pos No.	Parts No	Parts Name	Qty	Unit	Technical Data	Serial No (Start)	Serial No (End)	Remarks	Pages
100	42735900010	HARNESS	1						

AT-142-1 42020121000 LOWER,MITSUBISHI U-FE538B6K

Pos No.	Parts No	Parts Name	Qty	Unit	Technical Data	Serial No (Start)	Serial No (End)	Remarks	Page
102	36641687510	PLUG	1						
104	36641687520	RETAINER (A)	2						
105	36641687530	RETAINER (B)	2						
106	36641687540	RETAINER (C)	1						
107	36640175040	SPACER	4						
108	36641687550	SPRING (A)	1						
109	36641687560	SPRING (C)	1						
110	36642915020	NUT	1						
111	36641687570	ROD	1						
112	36641687580	GUIDE (SOLENOID)	1						
113	36646375050	COIL,SOLENOID	1						
116	91000501200	O-RING	4						
117	91001102000	O-RING	1		1A P20				
118	91002801800	O-RING	2		1B P18				
119	91001002500	O-RING	1		S25				
200	36645881000	VALVE,SOLENOID	1						

**AT-142-1 42020121000 LOWER, MITSUBISHI U-FE538B6K
PN1011916-00 ELEC.ASSY (CARRIER)**



AT-142-1 42020121000 LOWER,MITSUBISHI U-FE538B6K

Pos No.	Parts No	Parts Name	Qty	Unit	Technical Data	Serial No (Start)	Serial No (End)
1	42391165010	PLATE,NAME (INTER LOCK)	1				
2	42391165020	PLATE,NAME (ACCELERATOR)	1				
3	42391165030	PLATE,NAME (ENGINE)	1				
4	37002202100	PLATE,NAME (OUTRIGGER LEFT)	1				
5	37002202090	PLATE,NAME (OUTRIGGER LEFT)	1				
6	37002202080	PLATE,NAME (OUTRIGGER RIGHT)	1				
7	37002202070	PLATE,NAME (OUTRIGGER RIGHT)	1				
8	37002202060	PLATE,NAME (OUTRIGGER)	1				

AT-142-1 42020121000 LOWER,MITSUBISHI U-FE538B6K

Pos No.	Parts No	Parts Name	Qty	Unit	Technical Data	Serial No (Start)	Serial No (End)	Remarks	Pages
1	37000524530	PLATE	12						
2	42860580010	SUPPORT	3						
3	42860580030	SUPPORT	2						
4	42861250100	PLATE	2						
5	42861250200	SUPPORT	1						

AT-142-1 42020121000 LOWER,MITSUBISHI U-FE538B6K

Pos No.	Parts No	Parts Name	Qty	Unit	Technical Data	Serial No (Start)	Serial No (End)	Remarks	Pages
1	42840030020	WEIGHT	1						
2	90101512065	BOLT	4		M12X65				
3	90302041201	WASHER,SPRING	8		12				
4	90101516120	BOLT	4		M16X120				
5	90302041601	WASHER,SPRING	8		16				
6	42842200100	WEIGHT	1						
7	42842200200	WEIGHT	1						
8	90101516080	BOLT	4		M16X80				

AT-142-1 42020121000 LOWER,MITSUBISHI U-FE538B6K

Pos No.	Parts No	Parts Name	Qty	Unit	Technical Data	Serial No (Start)	Serial No (End)	Remarks	Pages
1	80172304012	SCREW,MACHINE	1		M4X12				
2	90302040401	WASHER,SPRING	2		4				
3	90201200400	NUT	1		M4				
4	42782120200	SUPPORT	1						
5	90101210025	BOLT	1		M10X25		590060		
6	90302041001	WASHER,SPRING	1		10				
7	42782120400	SUPPORT	1						
8	90101208022	BOLT	2		M8X22				
9	90302040801	WASHER,SPRING	2		8				
10	90201200800	NUT	2		M8				
11	90101206016	BOLT	2		M6X16				
12	42782120300	SUPPORT	1						
13	82459203000	NIPPLE,GREASE	2		C-PT1/8				
14	42782120500	SUPPORT	1						
15	90201201000	NUT	1		M10				
17	42782480100	SUPPORT	1						
18	42782480200	SUPPORT	1						
19	90101512100	BOLT	3		M12X100				
20	90201201200	NUT	4		M12				
21	90303071201	WASHER,PLAIN	8		12				
22	90302041201	WASHER,SPRING	4		12				
23	90101512125	BOLT	1		M12X125				

CLICK HERE TO **DOWNLOAD** THE COMPLETE MANUAL

- Thank you very much for reading the preview of the manual.
- You can download the complete manual from: www.heydownloads.com by clicking the link below



- Please note: If there is no response to CLICKING the link, please download this PDF first and then click on it.

CLICK HERE TO **DOWNLOAD** THE COMPLETE MANUAL