

AT-141-1 42043110700 LOWER,NISSAN U-LG2YH41

PB3000287-00 POWER UNIT
PO1000149-00 INDICATION PLATES
PX2001301-00 CARRIER UNIT
PX3000693-00 MOUNTING UNIT
PY1001507-00 OPTIONS
ASSEMBLY

CLICK HERE TO **DOWNLOAD** THE COMPLETE MANUAL

- Thank you very much for reading the preview of the manual.
- You can download the complete manual from: www.heydownloads.com by clicking the link below



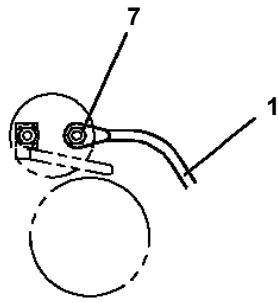
- Please note: If there is no response to CLICKING the link, please download this PDF first and then click on it.

CLICK HERE TO **DOWNLOAD** THE COMPLETE MANUAL

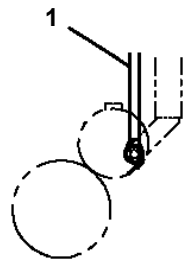
AT-141-1 42043110700 LOWER,NISSAN U-LG2YH41

Pos No.	Parts No	Parts Name	Qty	Unit	Technical Data	Serial No (Start)	Serial No (End)
1	(*****)	POWER SUPPLY (LOWER HYD.OUTLET/BOOS&13L)	1				
2	(*****)	POWER SUPPLY (24V/POWER SOURCE)	1				
3	(*****)	HOUR METER	1				
4	(*****)	POWER SUPPLY (LOWER HYD.OUTLET/13L)	1				
5	(*****)	BOOSTER	1				
6	(*****)	BOX,TOOL (BOOM LEFT SIDE)	1				
11	(*****)	LAMP (FLICKER)	1				

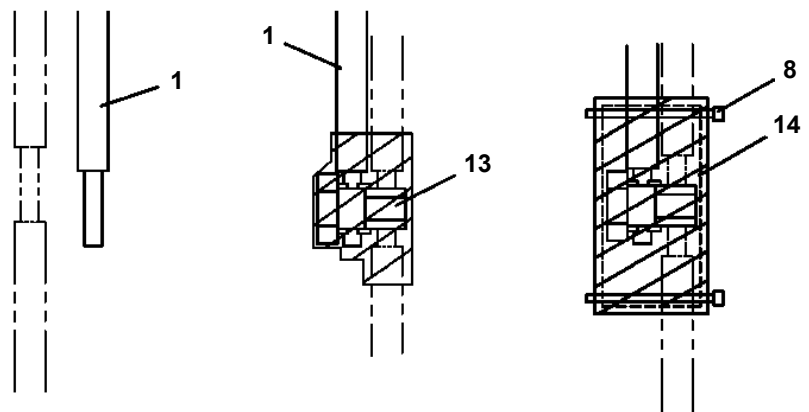
**AT-141-1 42043110700 LOWER,NISSAN U-LG2YH41
PB1370017-04 POWER SUPPLY (WIRING)**



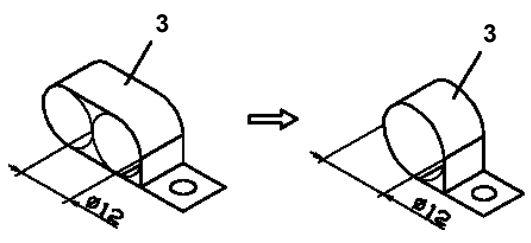
A



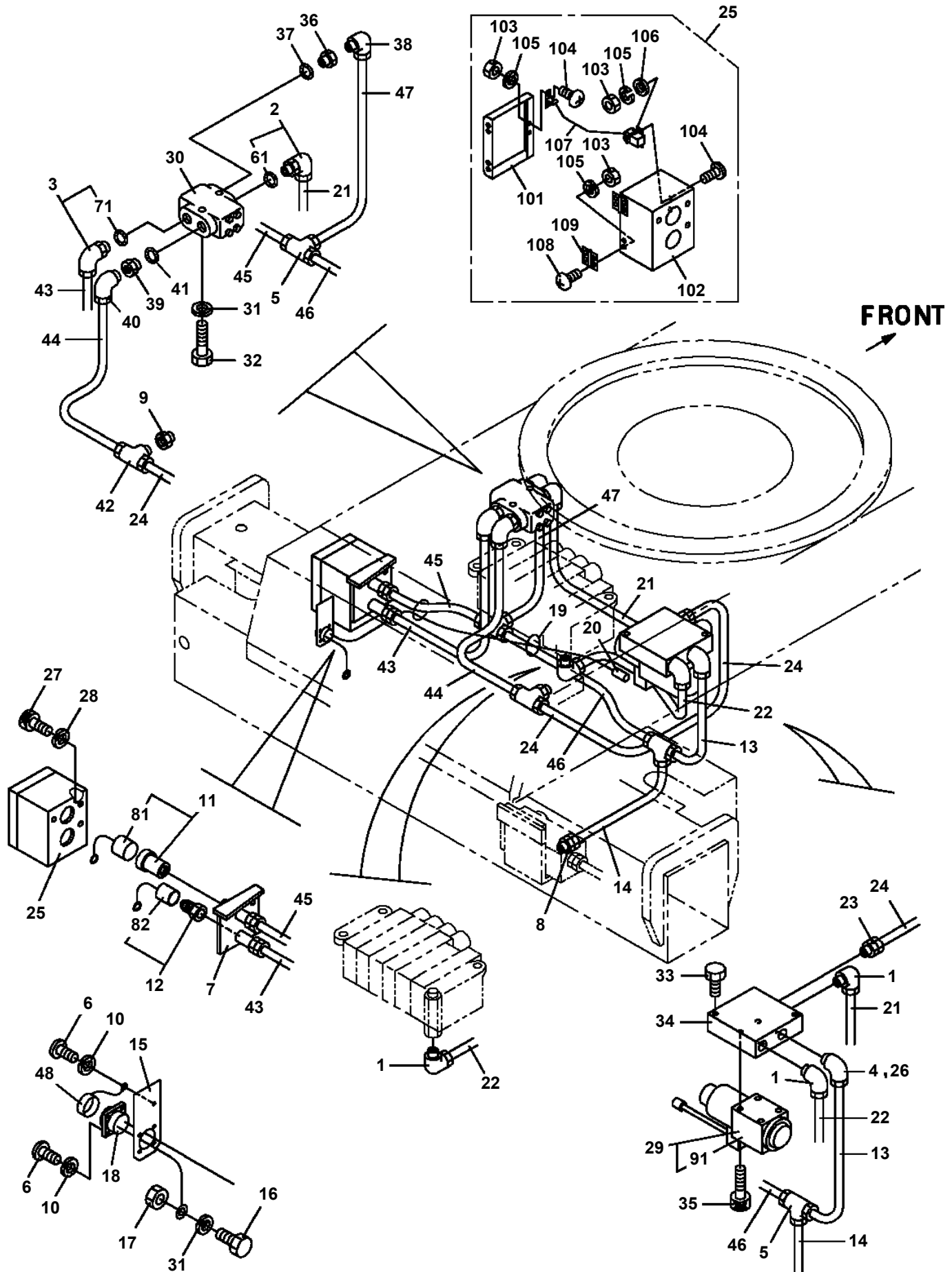
B



C



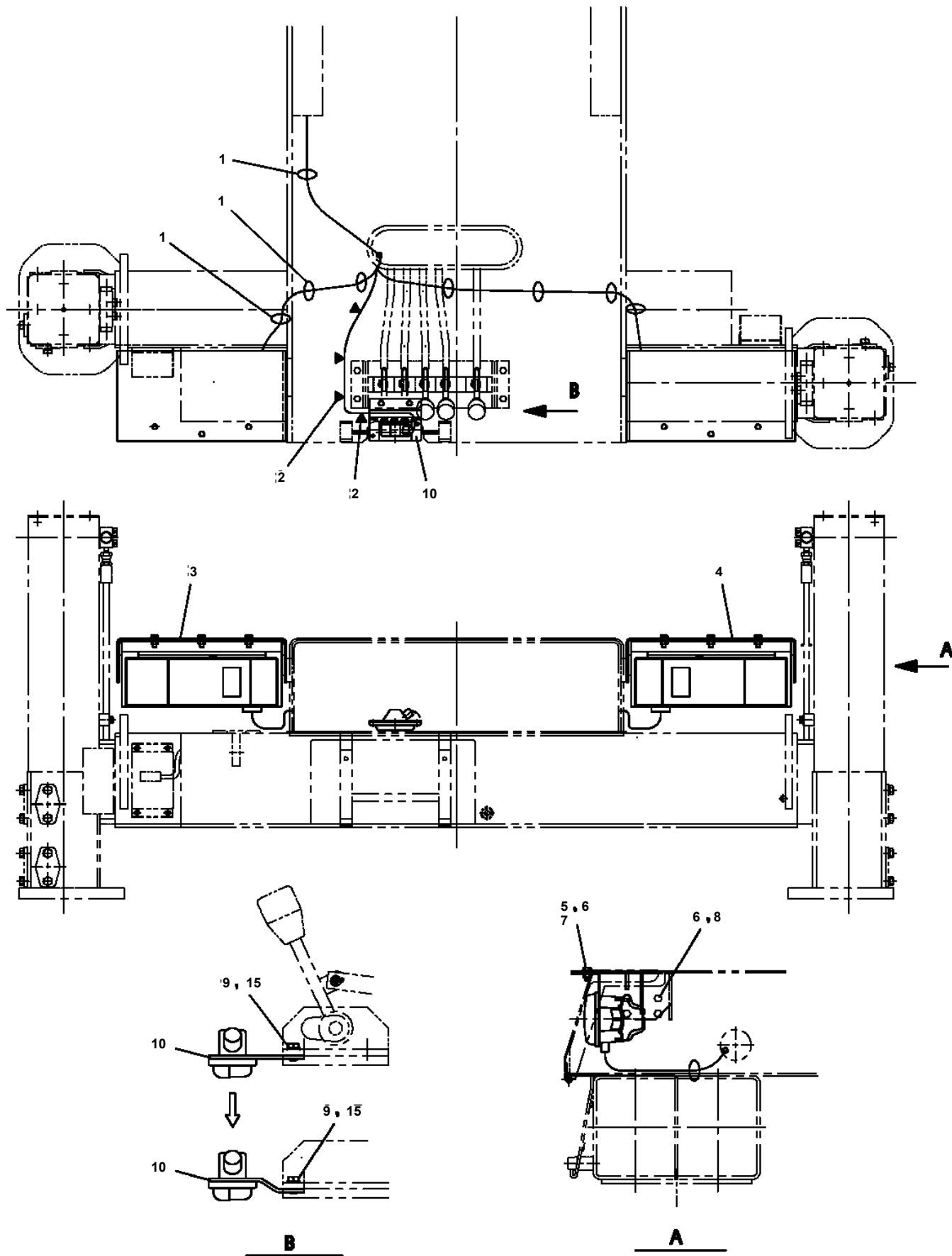
**AT-141-1 42043110700 LOWER,NISSAN U-LG2YH41
PB1380029-02 POWER SUPPLY (LOWER HYD.OUTLET PIPING)**



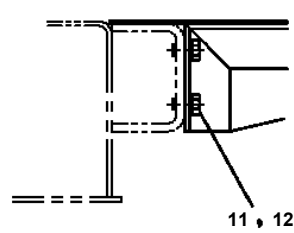
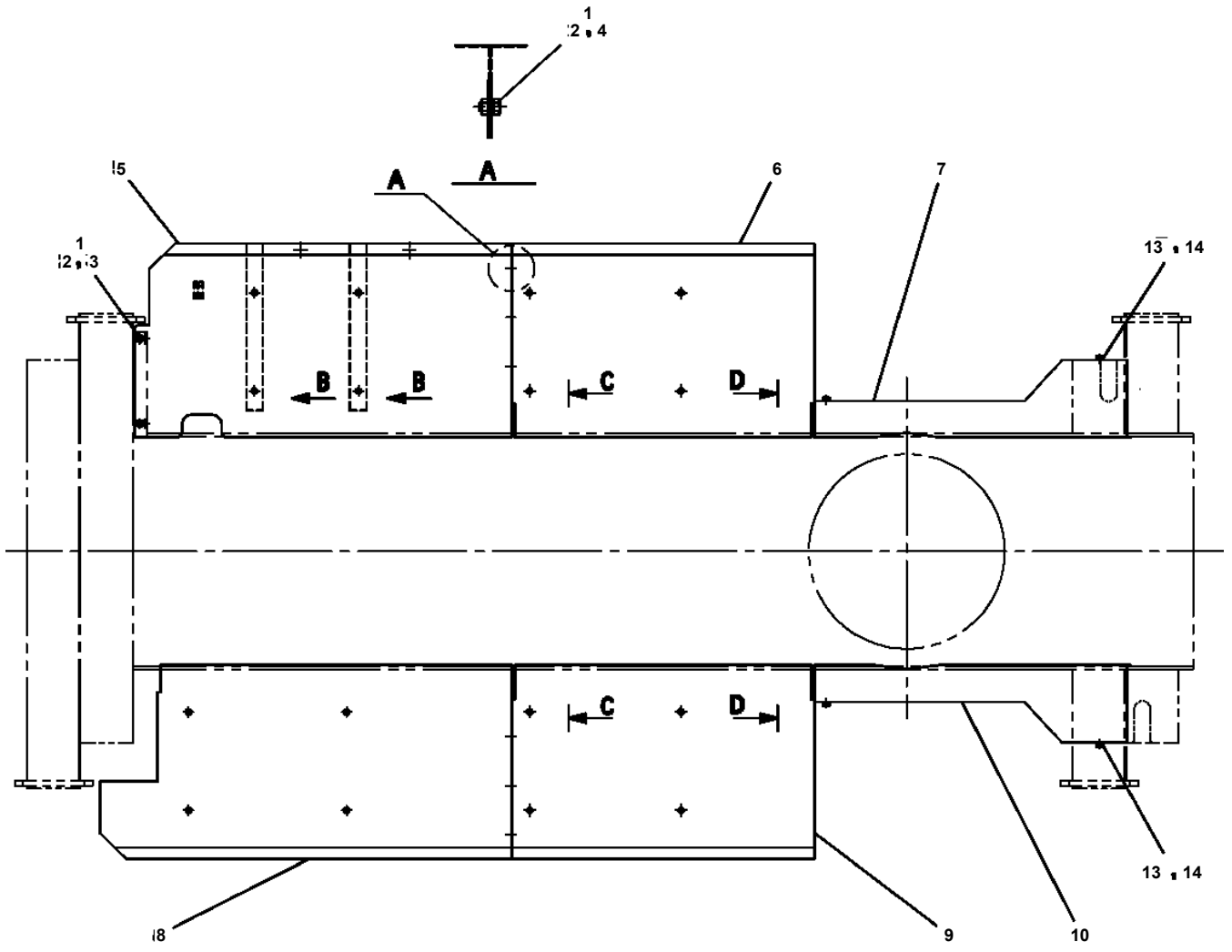
AT-141-1 42043110700 LOWER,NISSAN U-LG2YH41

Pos No.	Parts No	Parts Name	Qty	Unit	Technical Data	Serial No (Start)	Serial No (End)
1	(*****)	POWER SUPPLY (LOWER HYDRAULIC OUTLET SW)	1				
2	(*****)	POWER SUPPLY (LOWER HYD.OUTLET PIPING)	1				
3	(*****)	POWER SUPPLY (LOWER HYDRAULIC OUTLET)	1				
4	(*****)	POWER SUPPLY (LOWER HYD.OUTLET PIPING)	1				

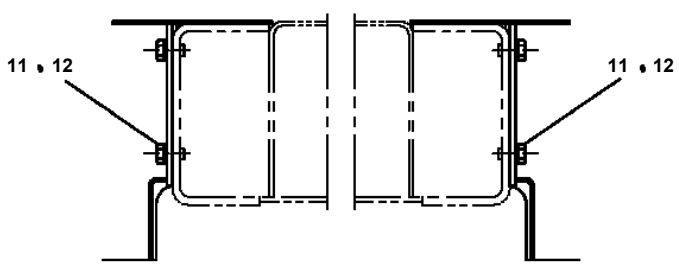
AT-141-1 42043110700 LOWER,NISSAN U-LG2YH41
PN1010945-00 ELEC.ASSY (TAIL LAMP)



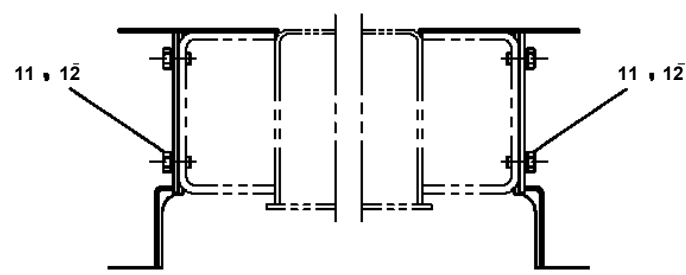
**AT-141-1 42043110700 LOWER,NISSAN U-LG2YH41
PX1030152-00 FENDER (WITHOUT MOTOR UNIT)**



B



C-C



D-D

**AT-141-1 42043110700 LOWER,NISSAN U-LG2YH41
PX1210083-00 GUARD**

①	ツール ボックス インスタレーション TOOL BOX INSTALLATION
②	ウェイト インスタレーション WEIGHT INSTALLATION

CLICK HERE TO **DOWNLOAD** THE COMPLETE MANUAL

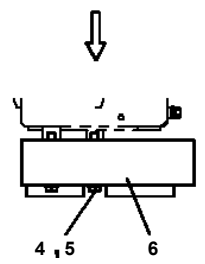
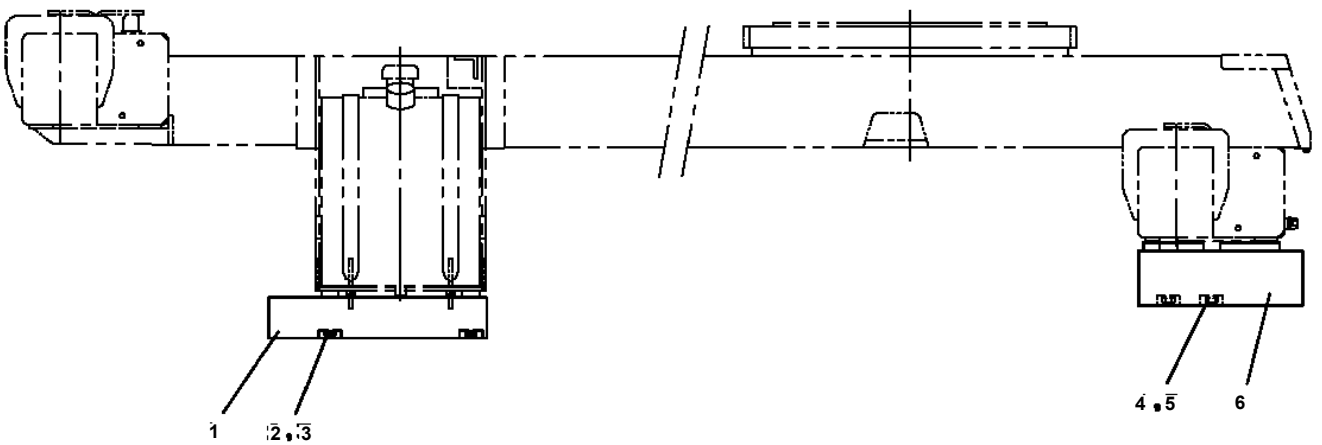
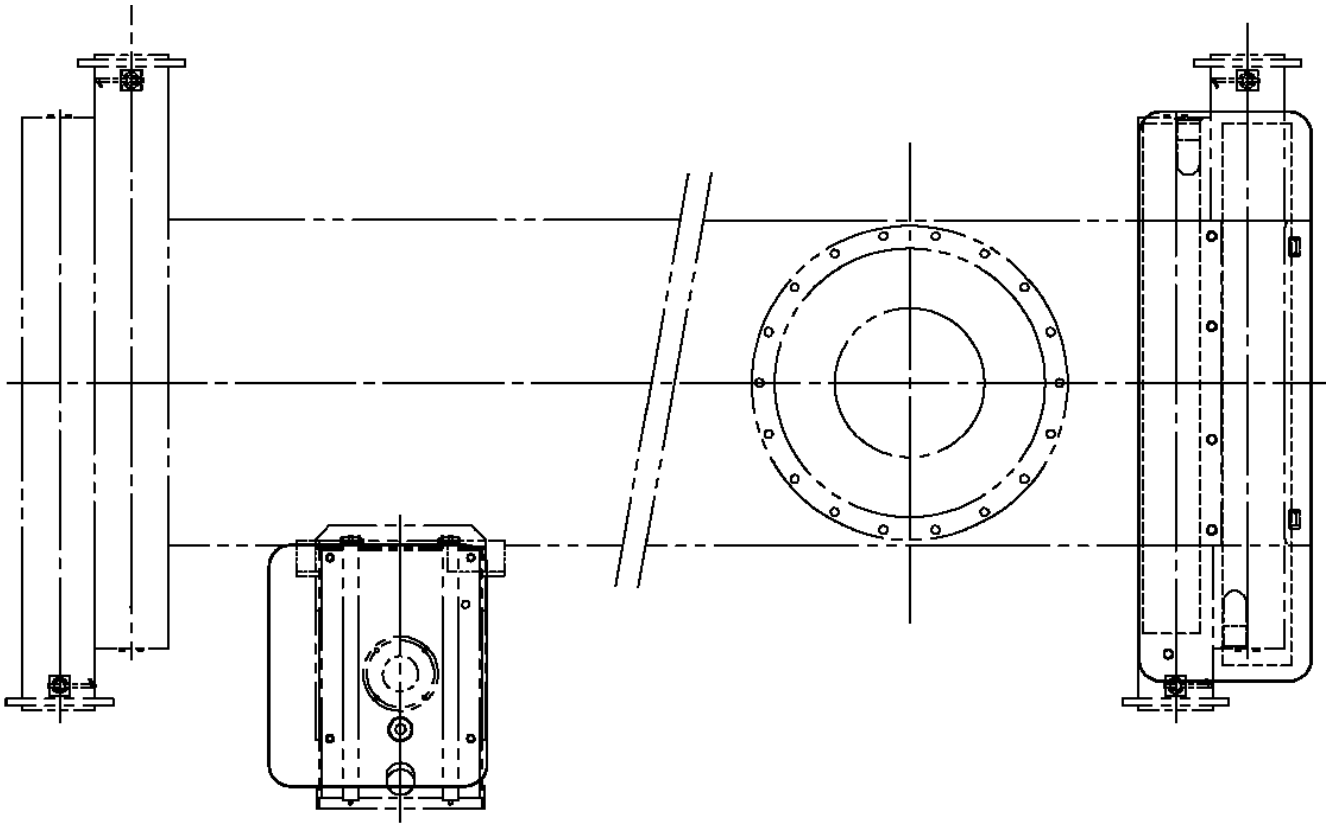
- Thank you very much for reading the preview of the manual.
- You can download the complete manual from: www.heydownloads.com by clicking the link below



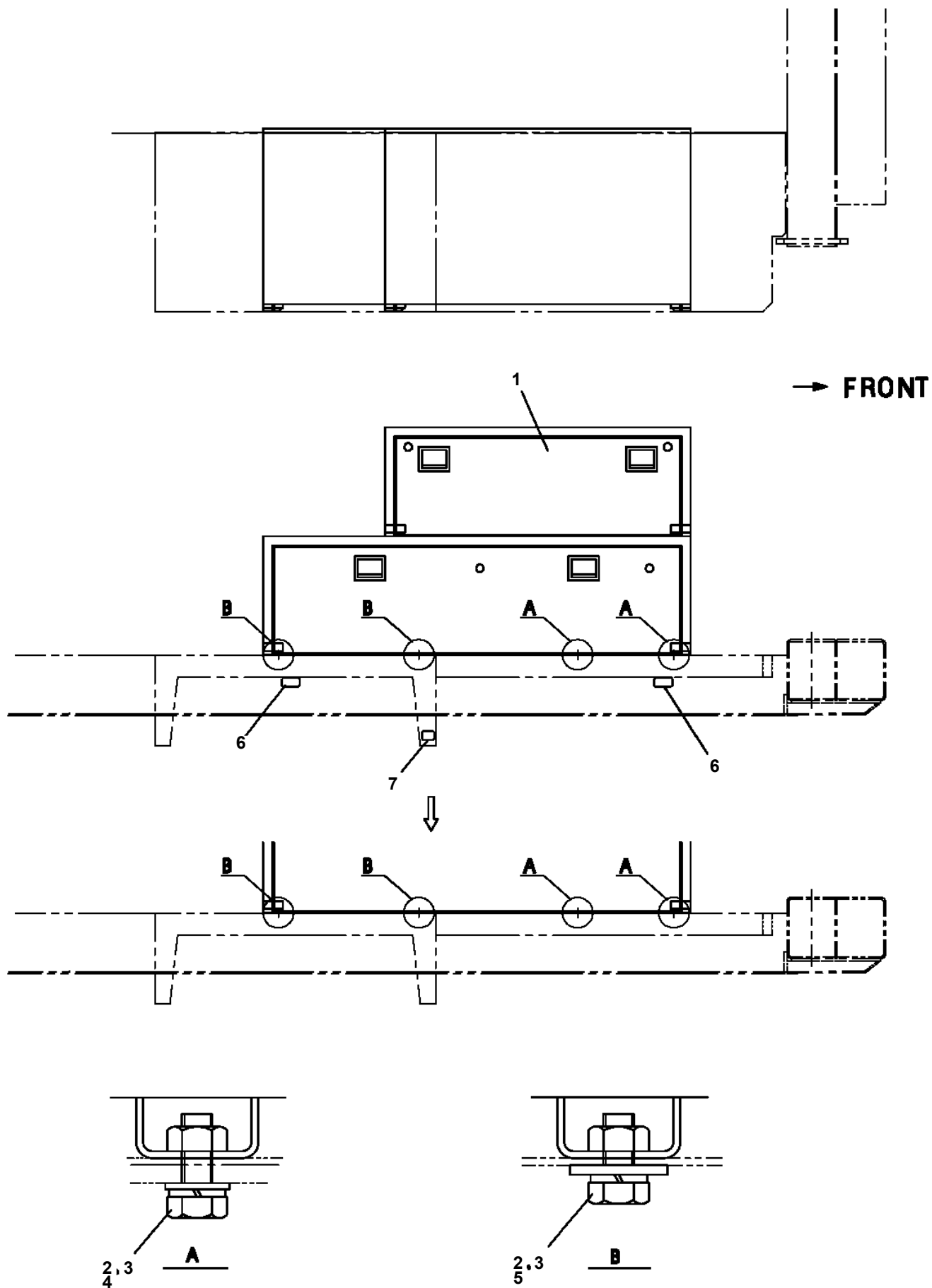
- Please note: If there is no response to CLICKING the link, please download this PDF first and then click on it.

CLICK HERE TO **DOWNLOAD** THE COMPLETE MANUAL

**AT-141-1 42043110700 LOWER,NISSAN U-LG2YH41
PX1290087-01 WEIGHT INSTALLATION**



AT-141-1 42043110700 LOWER,NISSAN U-LG2YH41
PX1350099-03 BOX,TOOL (RIGHT.YONDENKO)



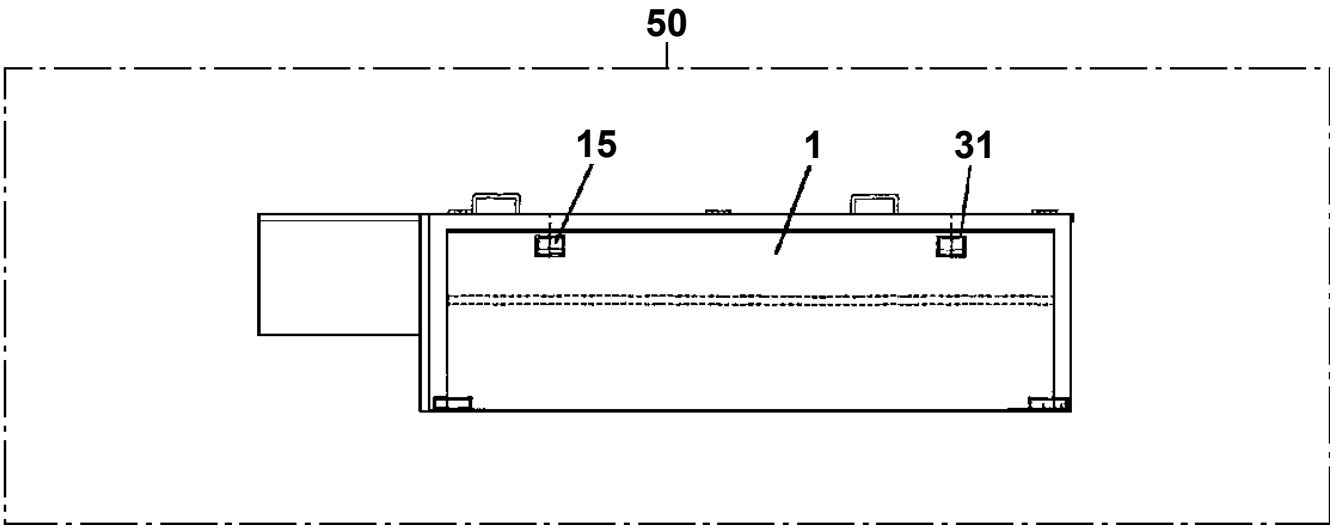
AT-141-1 42043110700 LOWER,NISSAN U-LG2YH41

Pos No.	Parts No	Parts Name	Qty	Unit	Technical Data	Serial No (Start)	Serial No (End)	Remark
1	42831252200	CONTROL BOX	1					
2	82100002018	CLAMP	2		WR35			
3	90201200800	NUT	2		M8			
4	90302040801	WASHER,SPRING	6		8			
5	90101208014	BOLT	6		M8X14			
6	42831691100	BOX,TOOL (KYUDENKOU)	1					
7	42831252300	CABLE	1					
8	91810130240	FASTENER	10					
9	90101210025	BOLT	6		M10X25			
10	90302041001	WASHER,SPRING	6		10			
11	90303071001	WASHER,PLAIN	2		10			
12	82100002673	CONNECTOR (0.5-0.85,RED)	2					
13	82100002597	RELAY	1					
14	42831690010	HARNES	1					
15	90101206012	BOLT	6		M6X12			
16	90302040601	WASHER,SPRING	7		6			
17	42831252100	HEATER	1					
18	37002201980	PLATE,NAME	1					
19	37000505950	PLATE	4		T=3.2			
20	37000517150	PLATE	1					
21	80182306010	SCREW,MACHINE	1		M6X10			

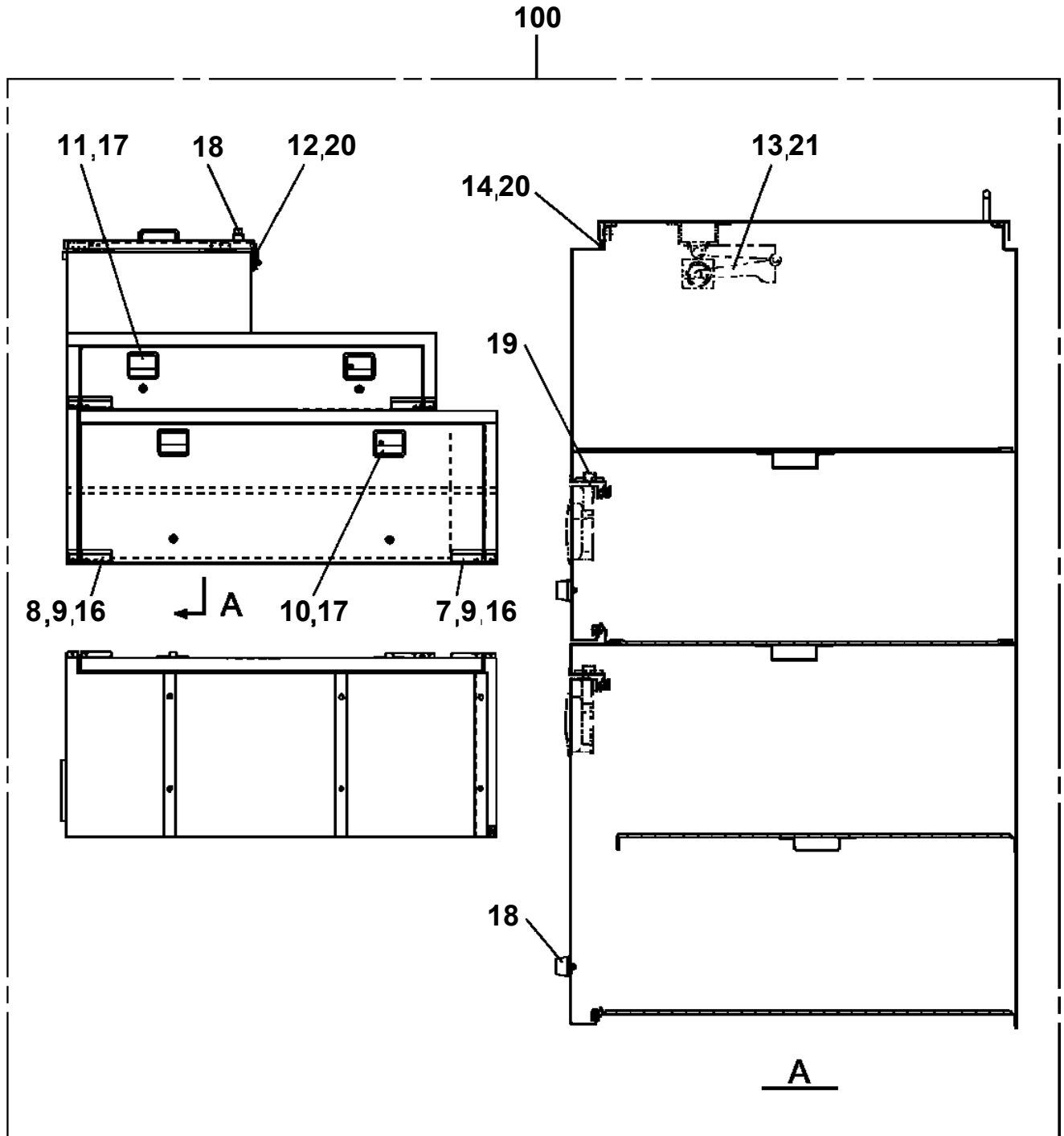
AT-141-1 42043110700 LOWER,NISSAN U-LG2YH41

Pos No.	Parts No	Parts Name	Qty	Unit	Technical Data	Serial No (Start)	Serial No (End)	Re
1	42832471000	BOX,TOOL (LEFT,FOR SHINDEN)	1					
2	90101210025	BOLT	5		M10X25			
3	90302041001	WASHER,SPRING	8		10			
4	90303071001	WASHER,PLAIN	4		10			
5	37000505950	PLATE	4		T=3.2			
6	90101210030	BOLT	3		M10X30			

**AT-141-1 42043110700 LOWER,NISSAN U-LG2YH41
PX1350296-00 BOX,TOOL (LEFT,WITH JIB SUPPORT)**



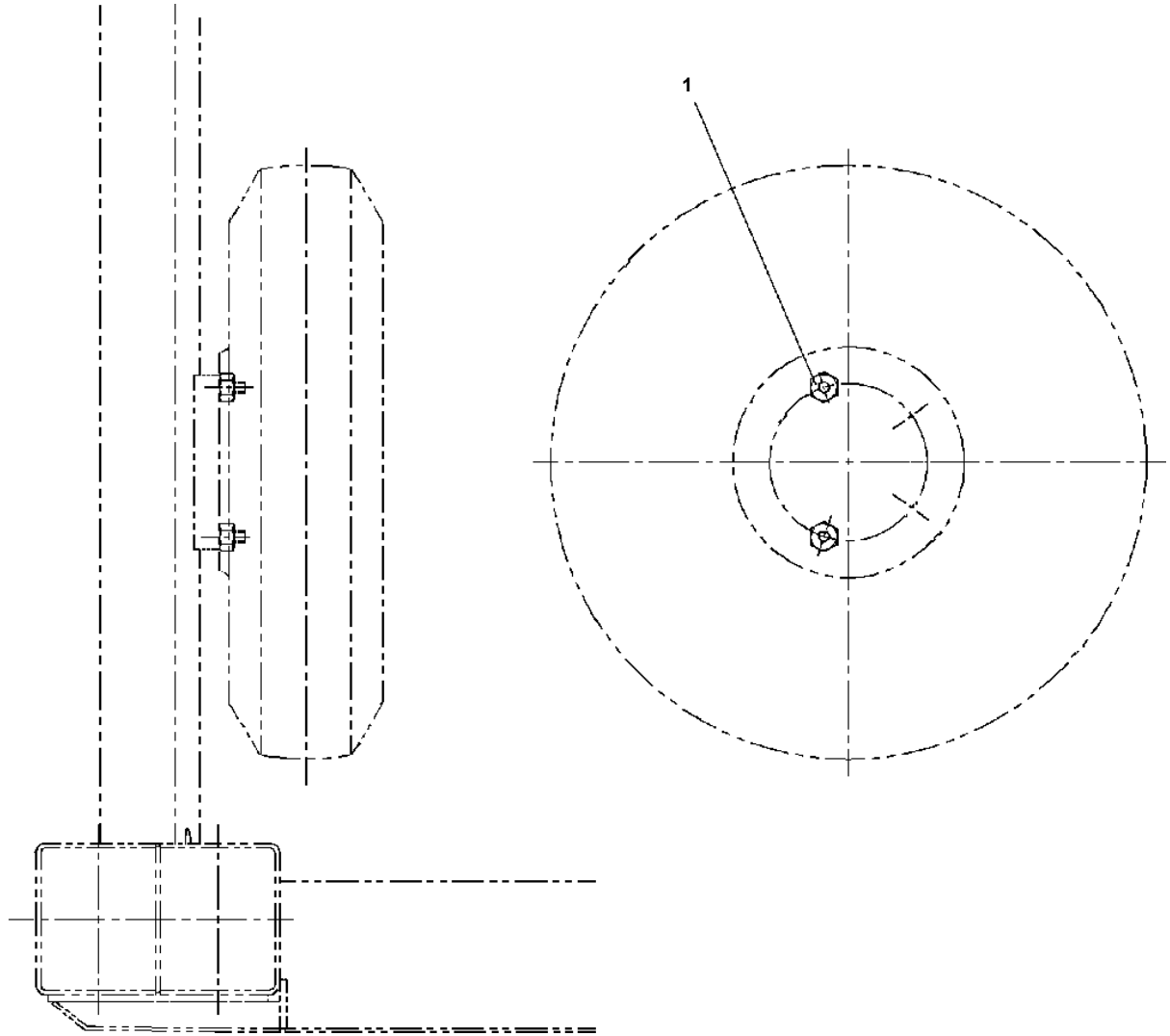
AT-141-1 42043110700 LOWER,NISSAN U-LG2YH41
PX1350661-00 BOX,TOOL (LEFT)



**AT-141-1 42043110700 LOWER,NISSAN U-LG2YH41
PX1350682-00 BOX,TOOL**

①	ツールボックス インスタレーション TOOL BOX INSTALLATION
②	ステップ インスタレーション STEP INSTALLATION

**AT-141-1 42043110700 LOWER,NISSAN U-LG2YH41
PX1410102-00 MOUNT,TIRE**



AT-141-1 42043110700 LOWER,NISSAN U-LG2YH41

Pos No.	Parts No	Parts Name	Qty	Unit	Technical Data	Serial No (Start)	Serial No (E
2	42733883000	CONTROL UNIT (BOOSTER)	1				
3	36644970000	VALVE,SOLENOID	1				
5	42733724000	BOOSTER	1				
17	80303080020	JOINT	3		SSTL1/4		
18	80456240600	JOINT,SELF SEALING (WITH DUST CAP)	1				
19	80306030040	JOINT,NIPPLE	1		3/8		
20	42470400100	JOINT,SELF SEALING (WITH CAP)	1				
21	42470627520	NIPPLE (REDUCING)	1				
22	42470407540	RELAY	1				
27	82100001654	CONNECTOR	1				
28	82100001655	CAP	1				
29	82100002474	SWITCH,TOGGLE	1				
30	82100001696	SWITCH,TOGGLE	1				
31	82100000745	FUSE	1		10A,6.5X30		
32	82100001406	CONNECTOR (SEAL)	1				
33	42733727510	HARNESS	1		VCTF 1.25MM2		
126	91002800900	O-RING	4		1B P9		
131	42471437520	CAP	1				
141	42470407570	CAP	1				
200	42733722000	BOOSTER	1				

CLICK HERE TO **DOWNLOAD** THE COMPLETE MANUAL

- Thank you very much for reading the preview of the manual.
- You can download the complete manual from: www.heydownloads.com by clicking the link below



- Please note: If there is no response to CLICKING the link, please download this PDF first and then click on it.

CLICK HERE TO **DOWNLOAD** THE COMPLETE MANUAL