

AT-141-1 42043100026 UPPER

PD2000240-00 SWING UNIT

PG2000113-00 BOOM UNIT

PH1000545-00 SAFETY DEVICES (MOMENT LIMITER)

PJ3000602-00 BUCKET SYSTEM

PK2001404-00 FRAME UNIT

PO1000149-00 INDICATION PLATES

PY1000852-01 OPTIONS,2

PY1001576-00 OPTIONS,1

ASSEMBLY

CLICK HERE TO **DOWNLOAD** THE COMPLETE MANUAL

- Thank you very much for reading the preview of the manual.
- You can download the complete manual from: www.heydownloads.com by clicking the link below



- Please note: If there is no response to CLICKING the link, please download this PDF first and then click on it.

CLICK HERE TO **DOWNLOAD** THE COMPLETE MANUAL

AT-141-1 4204310026 UPPER

Pos No.	Parts No	Parts Name	Qty	Unit	Technical Data	Serial No (Start)	Serial No (End)	Re
1	(***** *****)	FRAME (WITH ENGINE UNIT)	1				226216	
	(***** *****)	FRAME	1			226217		
2	(***** *****)	OUTRIGGER (FRONT)	1					
3	(***** *****)	OUTRIGGER (REAR)	1					
4	(***** *****)	PIPING,LOWER (FRAME)	1					
5	(***** *****)	OPE.ASSY,OUTRIGGER	1					
6	(***** *****)	ELEC.ASSY (SUB FRAME)	1					
7	(***** *****)	TANK,OIL (SUPPORT)	1					
31	(***** *****)	POWER SUPPLY (ENGINE)	1				226216	
	(***** *****)	POWER SUPPLY (ENGINE,MOUNT)	1			226217		
32	(***** *****)	POWER SUPPLY (DRAIN)	1				226216	
	(***** *****)	POWER SUPPLY (DRAIN)	1			226217		
33	(***** *****)	POWER SUPPLY (STARTER)	1				226216	
	(***** *****)	POWER SUPPLY (WIRING)	1			226217		
34	(***** *****)	POWER SUPPLY (COVER)	1				226216	
	(***** *****)	POWER SUPPLY (COVER,ENGINE)	1			226217		

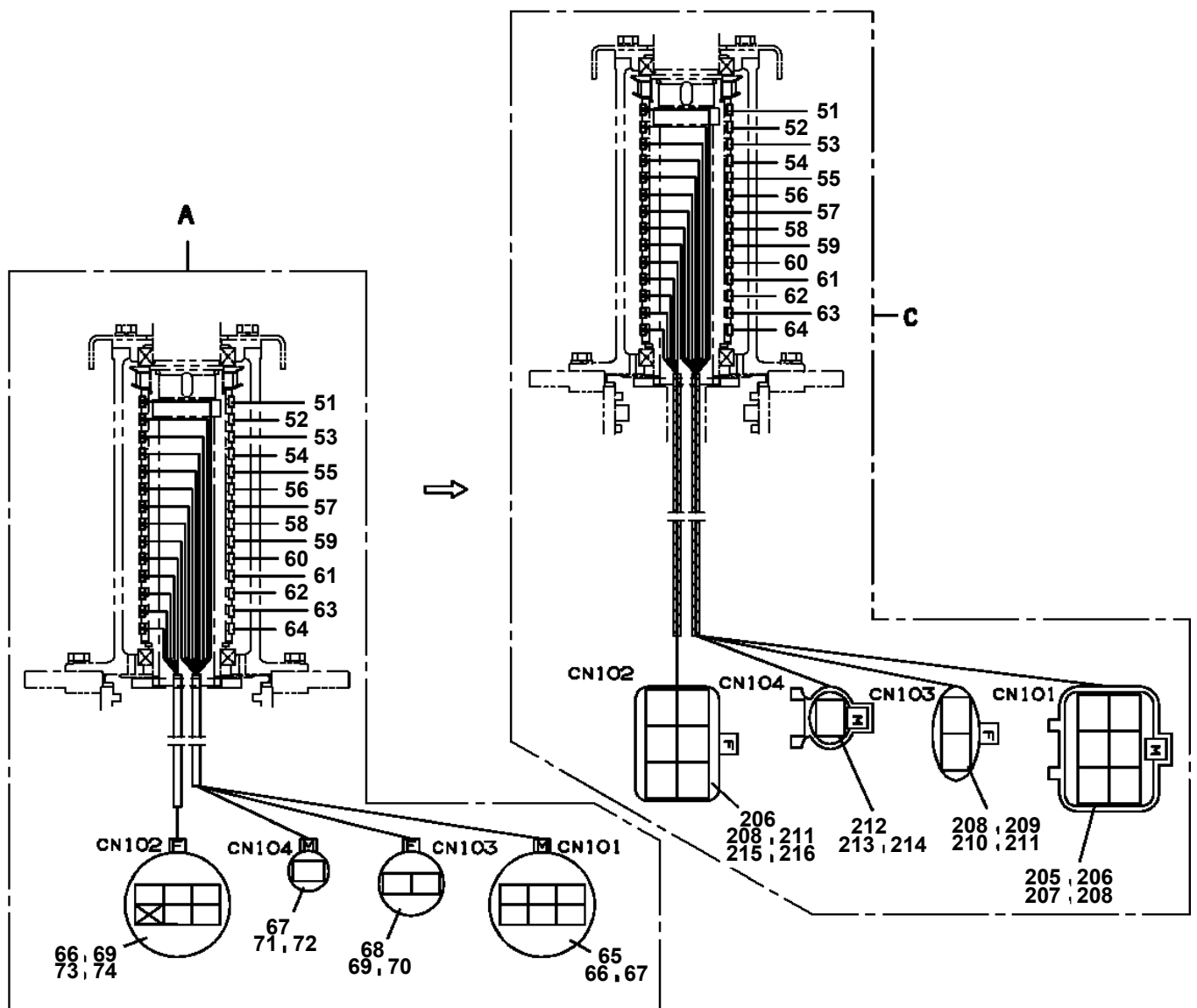
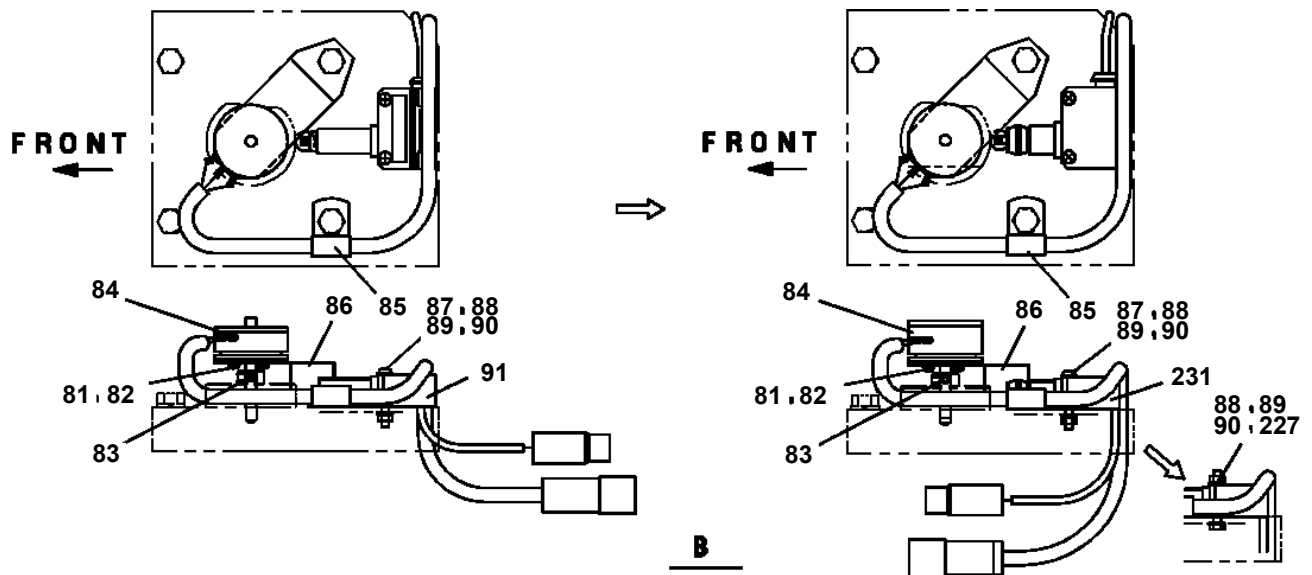
AT-141-1 42043100026 UPPER

PP5450003-00 PUMP,GREASE (240CC)
PR5010001-00 RADIATOR
PS5150001-00 SHACKLE
PV1030001-00 SWITCH BOX (FOR BOOSTER)
PV1030109-00 SWITCH BOX (ELECTRIC BOOSTER, 3M,NANABOSI,SINKOU DENKI)
PV1030110-00 SWITCH BOX (ELECTRIC BOOSTER, 5M,NANABOSI,SINKOU DENKI)
PV1030111-00 SWITCH BOX (ELECTRIC BOOSTER, 8M,NANABOSI,SINKOU DENKI)
PV5240011-00 VALVE ASSY,SOLENOID
PV5240012-00 VALVE ASSY,SOLENOID
PW1010091-04 ACCESSORIES
PW1010092-00 ACCESSORIES (BUCKET INNER MAT)
PW1010381-00 ACCESSORIES (WRENCH)
PW1030015-01 TOOLS
PW1030047-01 TOOLS
PW1050018-01 WEDGE (STOPPER FOR TIRE/JUSTIN)
PW5110002-00 WEDGE (STOPPER FOR TIRE/WAZUMI)
PW5110003-00 WEDGE (STOPPER FOR TIRE/NAKAMURA KIKI)
PX1250065-00 COVER (OUTRIGGER SIDE)
PY1050000-00 CLAMP HEAD (IZUMI 12TON 2.5M)
PY1050001-01 CLAMP HEAD (IZUMI 8TON,2.5M)
PY1050002-00 CLAMP HEAD (IZUMI 12TON 3.5M)
PY1050004-00 CLAMP HEAD (O.D.K 7.5TON 3M)
PY1050005-00 CLAMP HEAD (O.D.K 10TON ELECTRIC)
PY1050006-00 CLAMP HEAD (IZUMI 7.5TON 3M ELECTRIC)
PY1050007-00 CLAMP HEAD (SANWA,12TON)
PY1050008-01 CLAMP HEAD (IZUMI 8TON 3.5M ELECTRIC)
PY1050012-00 CLAMP HEAD (SANWA,12TON,TITANIUM)
PY1060000-01 CUTTER HEAD (IZUMI 6.4TON AIR)
PY1060001-00 CUTTER HEAD (IZUMI 6.4TON 2.5M ELECTRIC)
PY1060002-00 CUTTER HEAD (SANWA 6.5TON)
PY1070000-00 ROPE (SAFETY,YELLOW:TD-TYPE)
PY1070001-00 ROPE (SAFETY,1.5M,WITH HOOK)
PY1080000-02 ARM (STD JIB/WITHOUT INSULATOR)
PY1080002-02 ARM
PY1080003-02 ARM
PY1080004-02 ARM
PY1080005-01 ARM (STD-JIB)
PY1080006-01 ARM
PY1080007-01 ARM (INSULATION JIB)
PY1080017-01 ARM (MECHANICAL ARM JIB)
PY1080023-00 ARM (REPLACE PLATE,SLIDE)
PY1080027-00 ARM (STD JIB/WITHOUT INSULATOR/PLASTIC)
PY1160030-03 BOOSTER (ELECTRICAL,WITHOUT LIFT)
PY1160032-03 BOOSTER (AIR,WITHOUT BUCKET LIFT)
PY1160052-03 BOOSTER (AIR,WITHOUT BUKET LIFT)
PY1160054-03 BOOSTER (ELECTRICAL,WITHOUT LIFT)
PY1170013-02 BOOSTER (24V.ELECTRIC TYPE.40TON)
PY1170016-01 BOOSTER (700KG/CM2)
PY1180127-01 LAMP (FOR BUCKET OPERATION)
PY1180146-02 LAMP (FOR BUCKET OPERATION)
PY1180158-00 LAMP (AML)
PY1500005-02 SELECTOR,BOOSTER (ELECTRIC)
PY1500007-03 SELECTOR,BOOSTER (AIR.WITHOUT LIFT)
PY1500009-02 SELECTOR,BOOSTER (VALVE)
PY1500016-02 SELECTOR,BOOSTER (ELECTRIC)
PY1540007-00 COVER,BUCKET (INNER CASE)
PY1540010-02 COVER,BUCKET
PY1590000-02 HOSE,BOOSTER (WITH AIR BALLOON)
PY1590001-01 HOSE,BOOSTER (FEMALE-FEMALE,3M)
PY1590002-02 HOSE,BOOSTER (MAIL-FEMALE,3M)
PY1590007-00 HOSE,BOOSTER (FEMALE-FEMALE,5M)
PY1590008-00 HOSE,BOOSTER (MALE-FEMALE,5M)
PY1590009-00 HOSE,BOOSTER (MALE-FEMALE,8M)
PY1590010-00 HOSE,BOOSTER (WITH AIR BALLOON,2M)

AT-141-1 42043100026 UPPER

Pos No.	Parts No	Parts Name	Qty	Unit	Technical Data	Serial No (Start)	Serial No (End)	P
906	36654365190	RETAINER (BOWL)	1					
907	36654365200	SPRING	1					
909	36654365210	PIN (PRESSURE)	3					
910	36654365220	RING (V)	1					
911	36654365230	PLATE (BACKUP)	1					
999	36654740000	PUMP, HYDRAULIC	1					

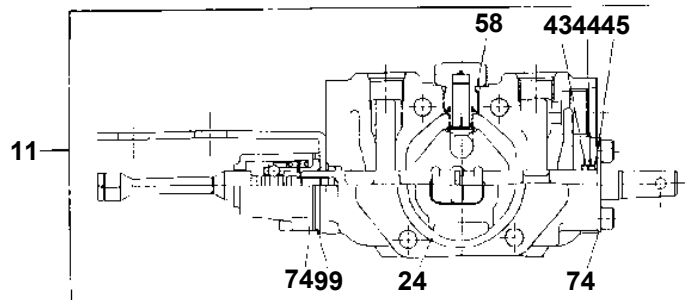
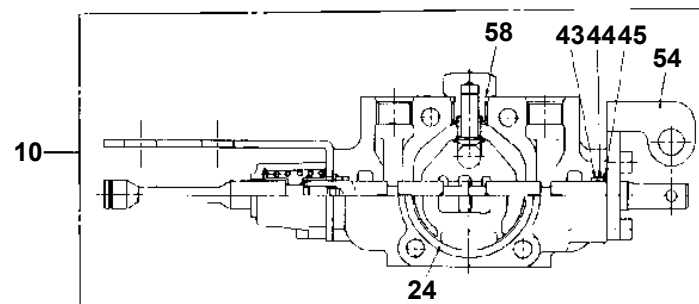
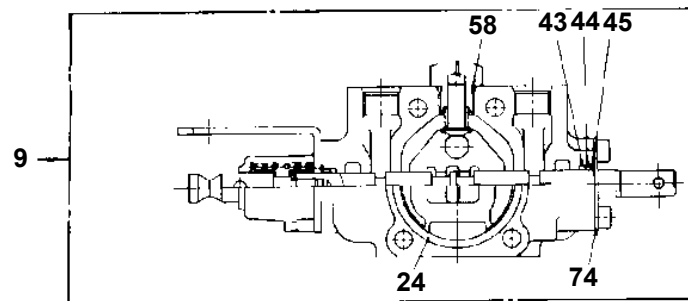
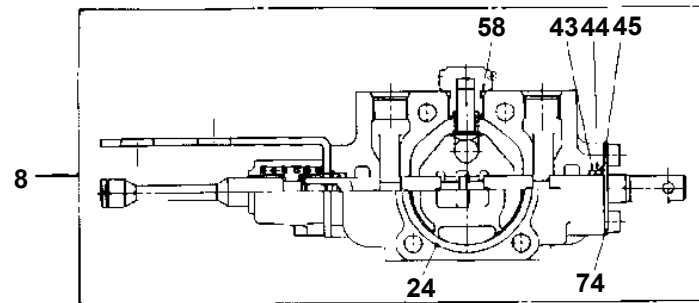
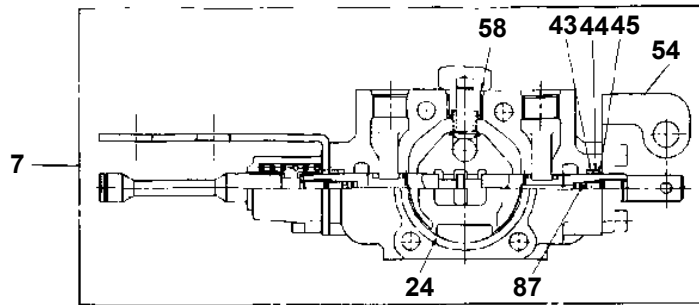
**AT-141-1 42043100026 UPPER
PB1300106-05 JOINT, ROTARY**



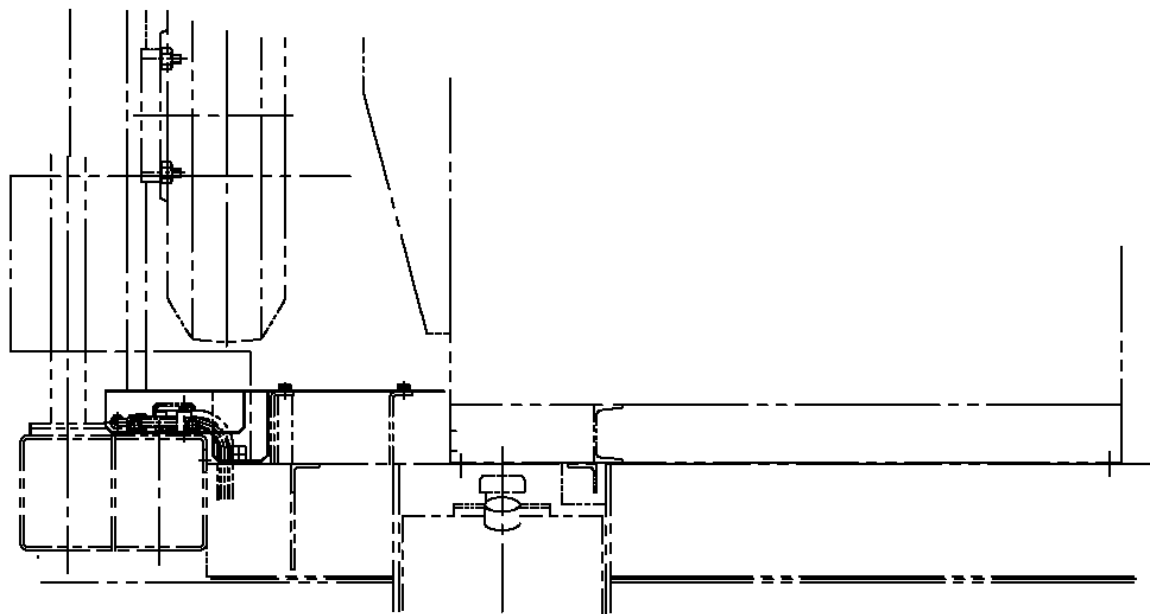
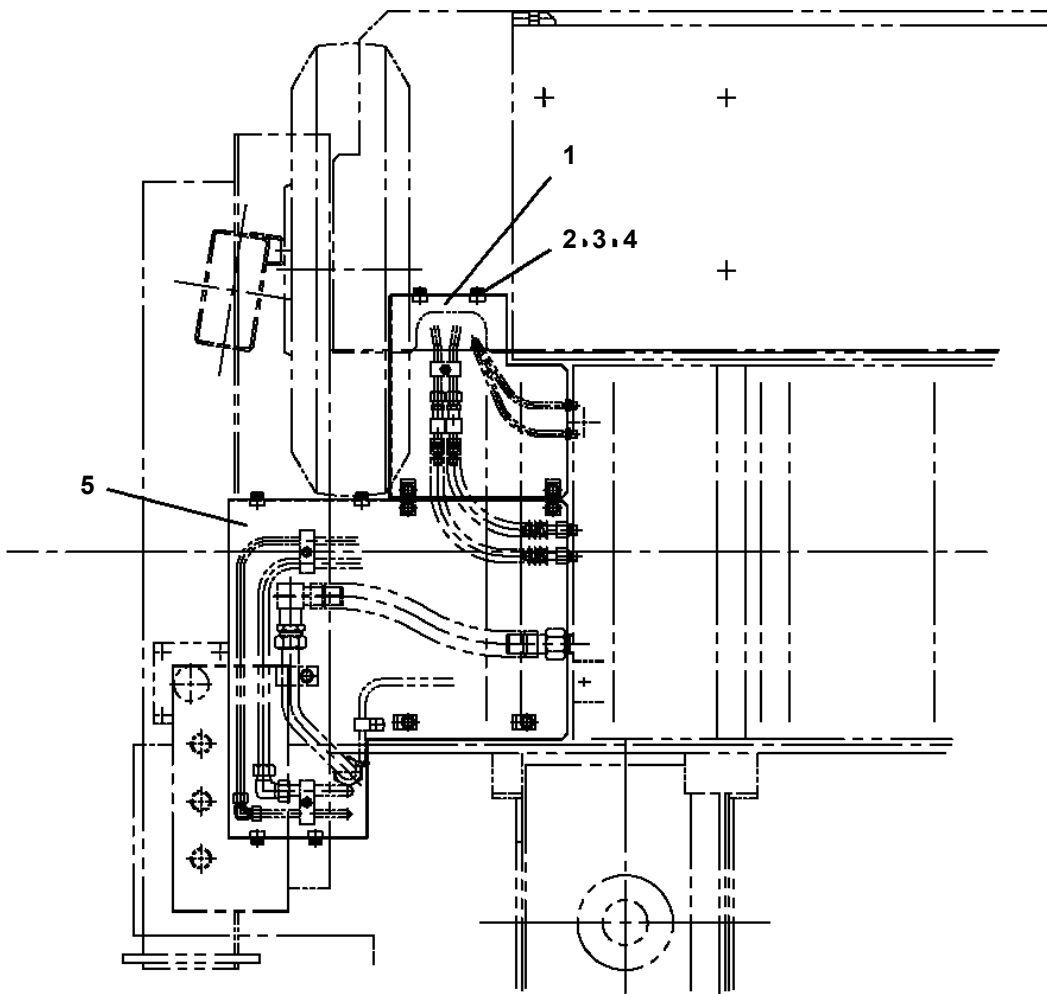
AT-141-1 4204310026 UPPER

Pos No.	Parts No	Parts Name	Qty	Unit	Technical Data	Serial No (Start)	Serial No (End)
2	36634515010	PLUG ASSY	1				
4	36634445020	VALVE,CONTROL (BUCKET SWING)	1				
5	36634445030	VALVE,CONTROL (ELEVATING)	1				
6	36634445040	VALVE,CONTROL (SWING)	1				
7	36634445050	VALVE,CONTROL (TELESCOPING)	1				
8	36634445060	VALVE,CONTROL (WINCH)	1				
9	36634445070	VALVE,CONTROL (JIB ELEVATING)	1				
10	36634445080	VALVE,CONTROL (JIB SWING)	1				
11	36634445090	VALVE,CONTROL (ATTACHMENT)	1				
12	36634445100	VALVE,RELIEF	1				
24	91002905500	O-RING	9		1B G55		
32	91000501500	O-RING	1		AS568-015		
33	91002802200	O-RING	1		1B P22		
43	56051331100	SEAL,OIL	16				
52	36630045150	COVER	3				
55	91002801400	O-RING	8		1B P14		
64	91001100300	O-RING	2		1A P3		
75	91001101001	O-RING	1		1A P10A		
76	36634365100	RING,BACKUP	1				
77	19215101010	O-RING	2				
83	91001001600	O-RING	2		1A S16		
85	36634365110	RING,BACKUP	1				
86	91001100600	O-RING	1		1A P6		
100	36634440000	VALVE,MANUAL CONTROL (BUCKET)	1				

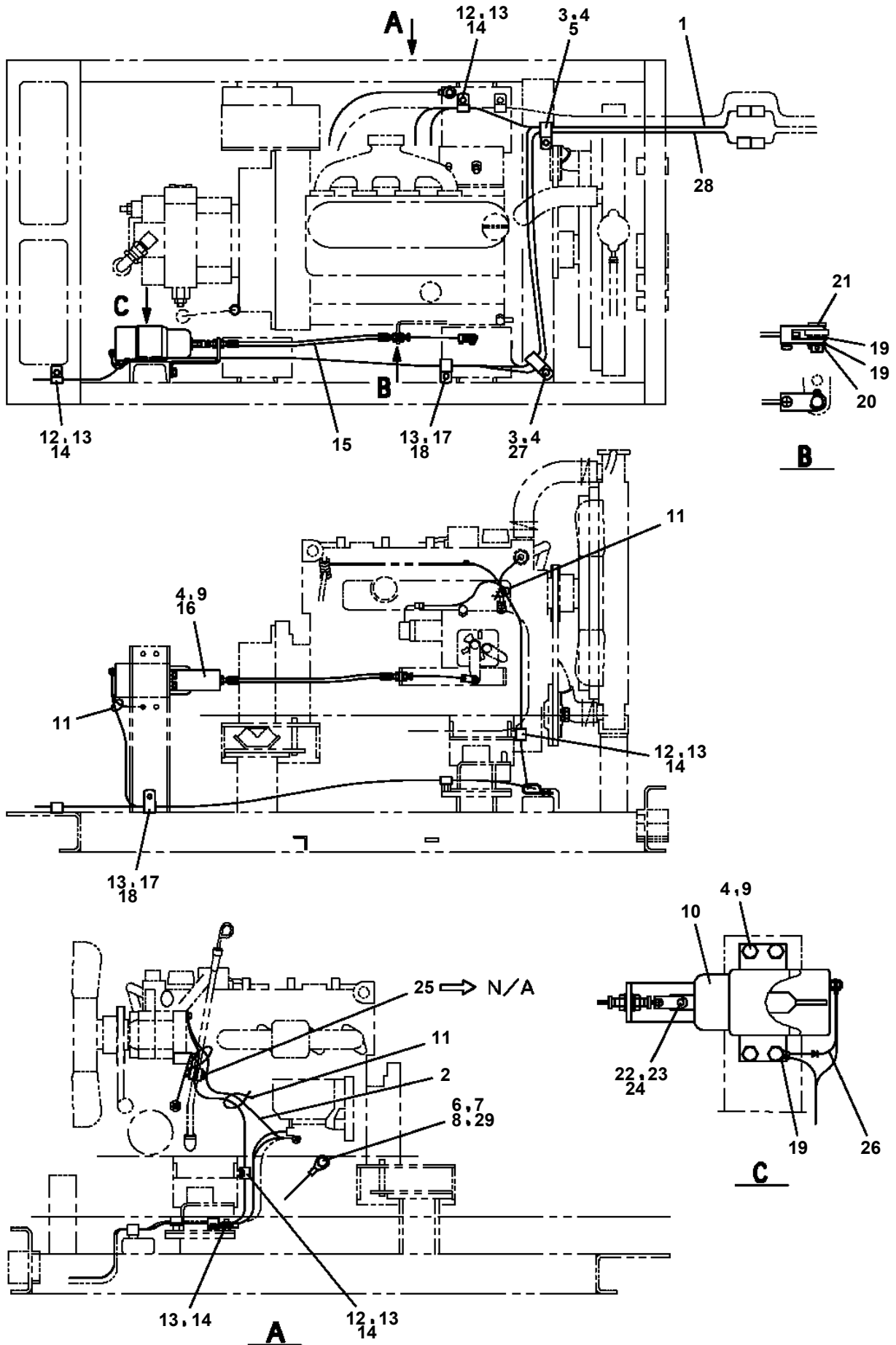
AT-141-1 42043100026 UPPER
PB1320282-00 VALVE, MANUAL CONTROL (BUCKET)
VALVE, MANUAL CONTROL (BUCKET)



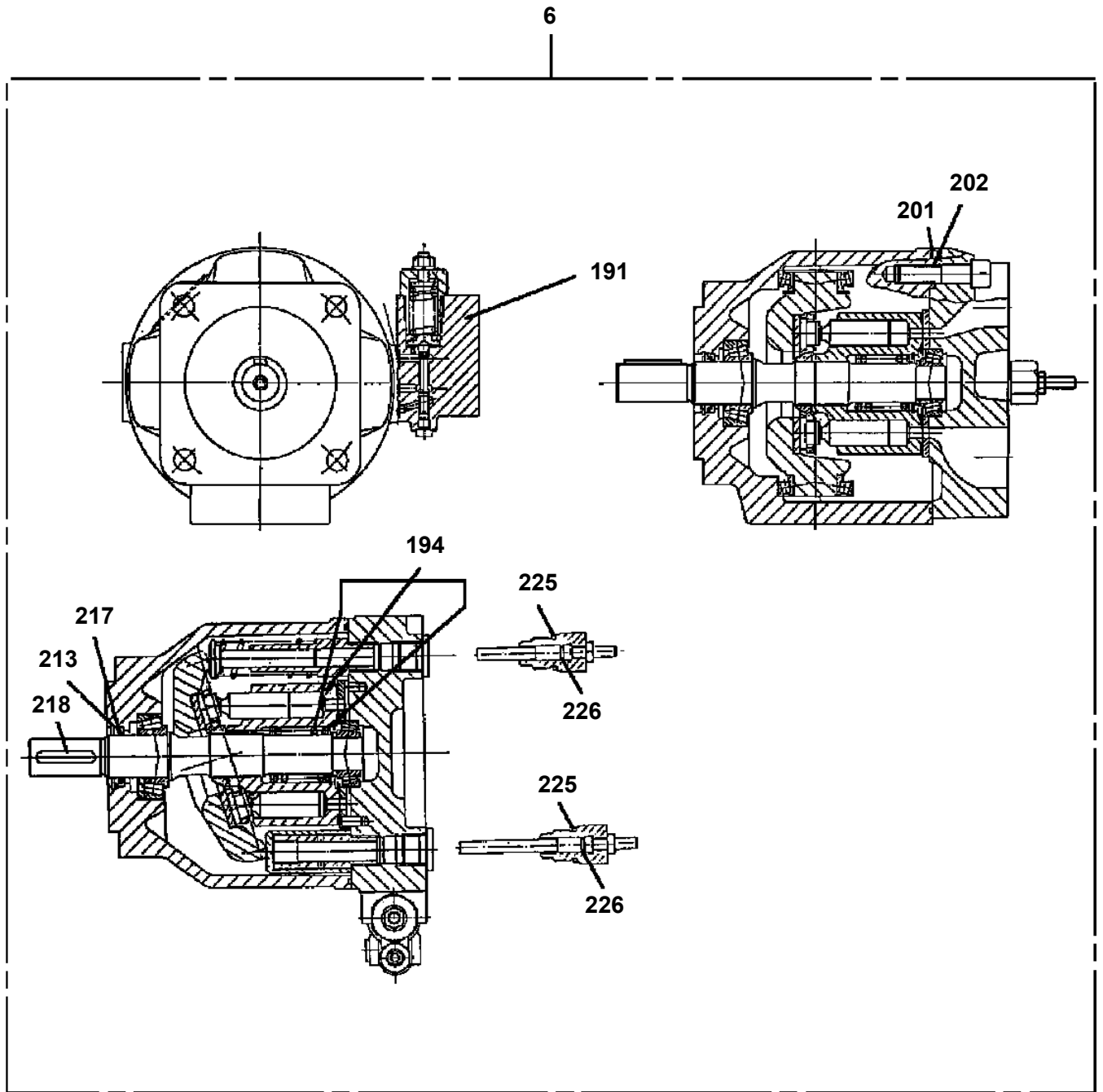
**AT-141-1 42043100026 UPPER
PB1370012-00 POWER SUPPLY (COVER)**



**AT-141-1 42043100026 UPPER
PB1370084-04 POWER SUPPLY (WIRING)**



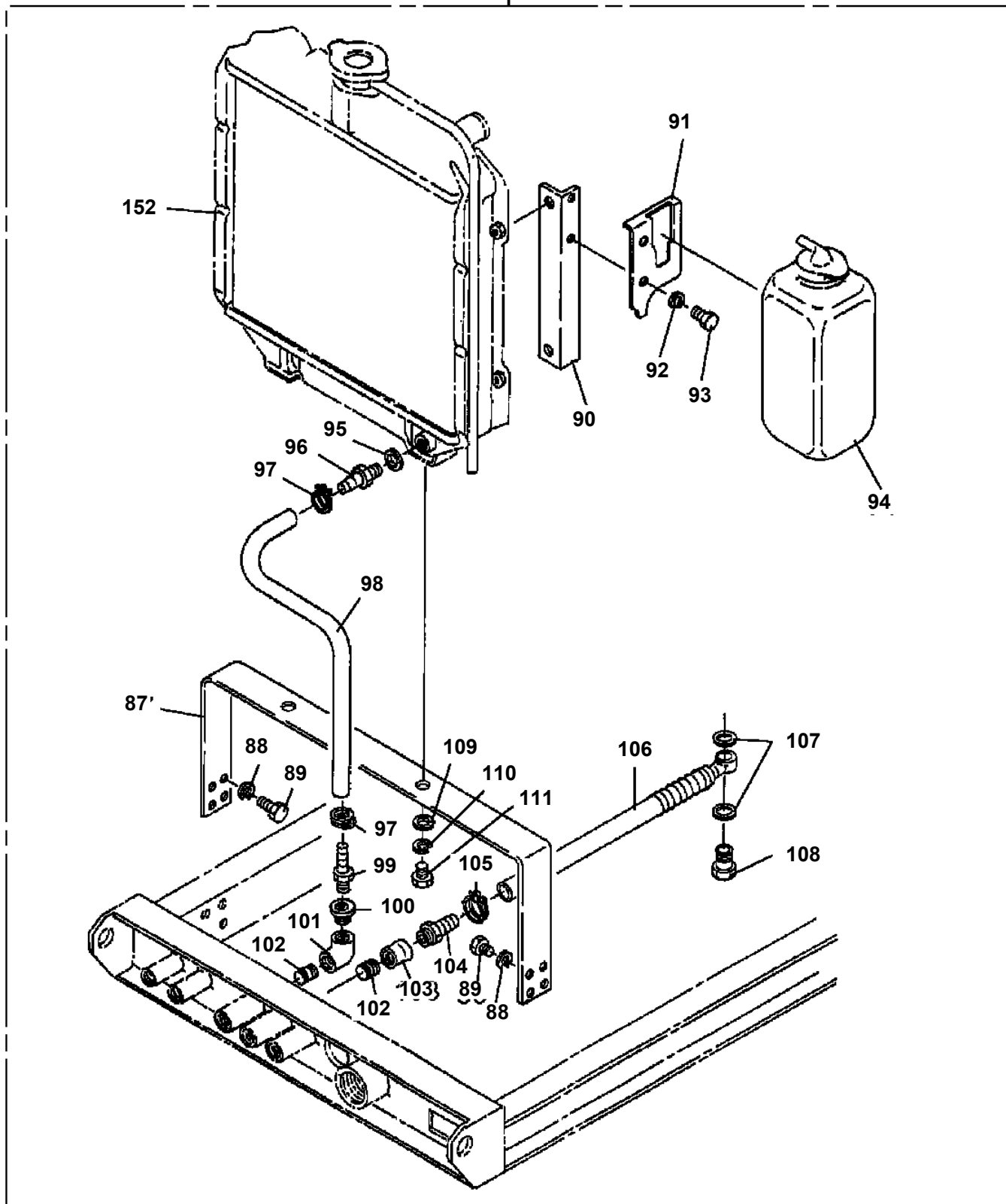
AT-141-1 42043100026 UPPER
PB1380017-03 POWER SUPPLY (ENGINE UNIT)



展開図有
ILLUSTRATED BREAKDOWN NO. 191

AT-141-1 42043100026 UPPER
PB1380038-06 POWER SUPPLY (ENGINE TYPE)

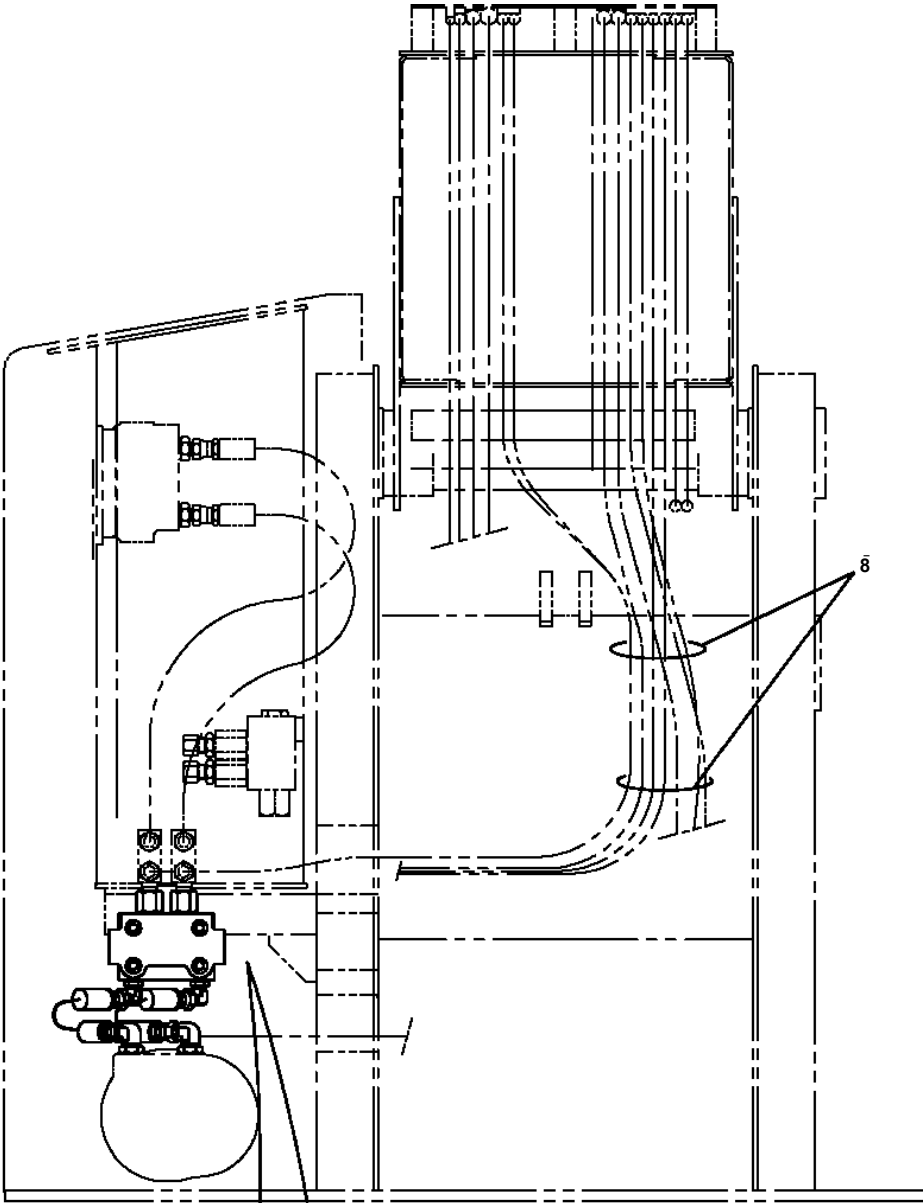
400



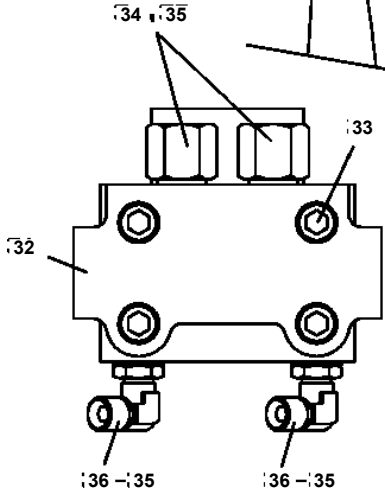
AT-141-1 4204310026 UPPER

Pos No.	Parts No	Parts Name	Qty	Unit	Technical Data	Serial No (Start)	Serial No (End)	Rem
1	90171310025	BOLT	16		M10X25			
2	90303071001	WASHER,PLAIN	16		10			
3	42420381100	SUPPORT	1					
4	42420381320	CUSHION	2					
5	42420381150	SUPPORT	2					
6	90101208020	BOLT	10		M8X20			
7	90302040801	WASHER,SPRING	10		8			
8	42420381200	SUPPORT	1					
9	42420381250	SUPPORT	1					
10	42420381300	CUSHION ASSY	2					
11	90102210060	BOLT	4		M10X60			
12	90201201000	NUT	4		M10			
13	36360940000	ENGINE	1					
14	42420381400	FRAME	1					
15	(*****)	MOUNT,PUMP	1					
16	42420380100	SUPPORT	1					
31	36360825010	ELEMENT,FILTER	1					
32	36360945010	ELEMENT,FILTER	1					
33	36360945020	FILTER ASSY (OIL CARTRIDGE)	1					

AT-141-1 42043100026 UPPER
PB1400398-00 PIPING,UPPER



A

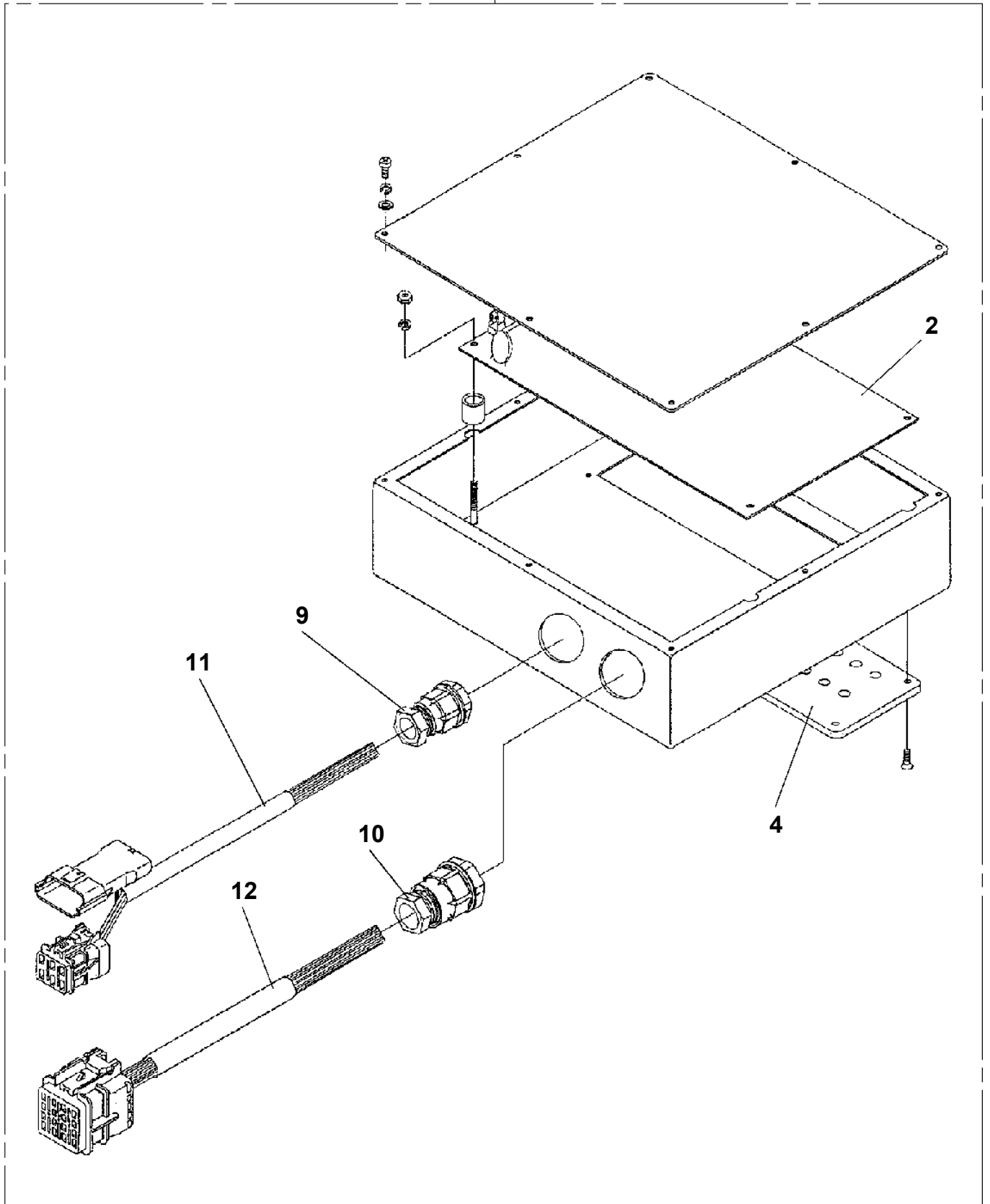


**AT-141-1 42043100026 UPPER
PC1011117-00 OUTRIGGER (FRONT)**

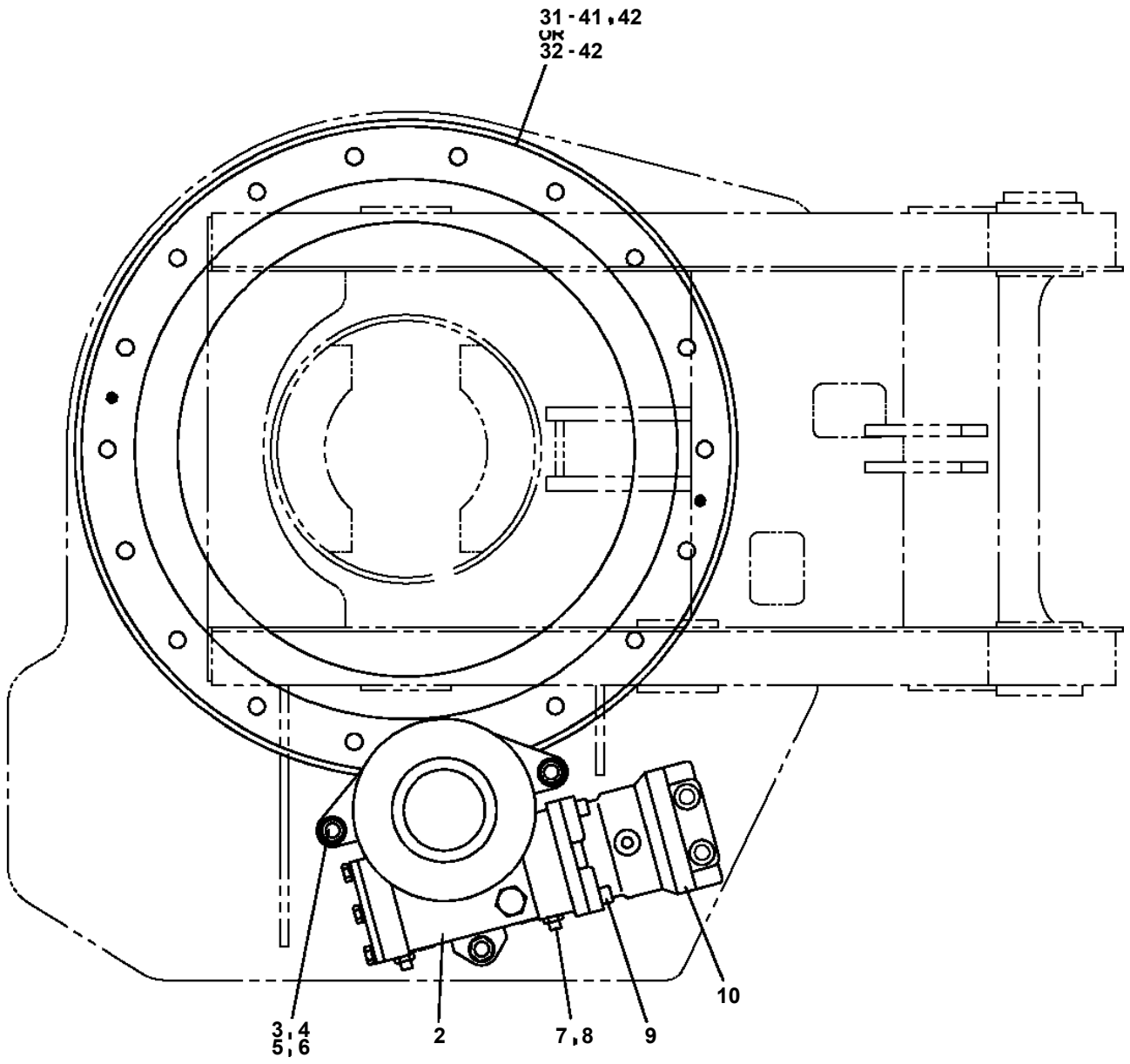
1	アウトリカ ^o OUTRIGGER
3	カバー - インスタレーション COVER INSTALLATION

AT-141-1 42043100026 UPPER
PC1190004-01 INDICATOR,OUTRIGGER

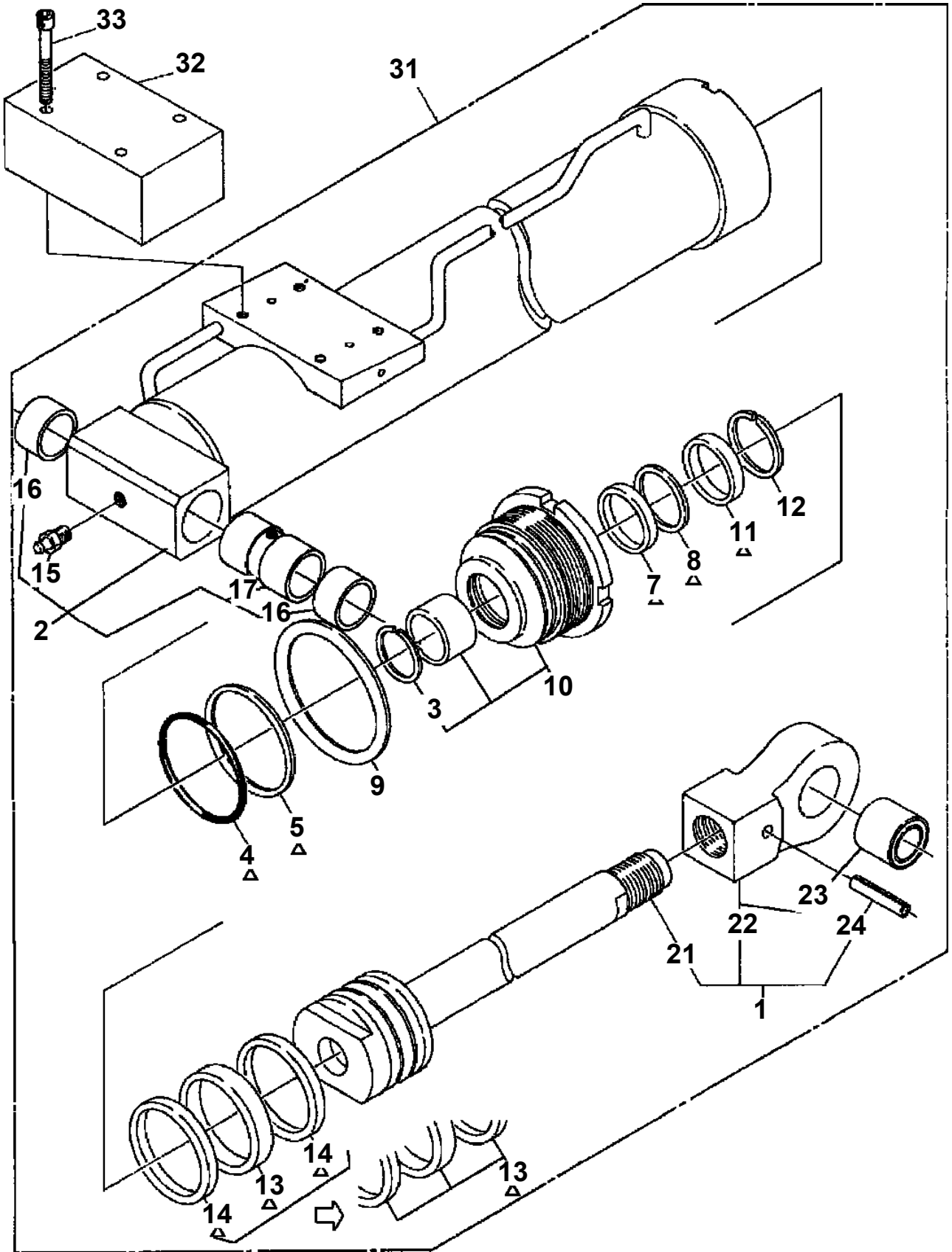
50



**AT-141-1 42043100026 UPPER
PD1010105-01 REDUCER, SWING SPEED**



**AT-141-1 42043100026 UPPER
PE1050015-03 CYLINDER,LEVELING**

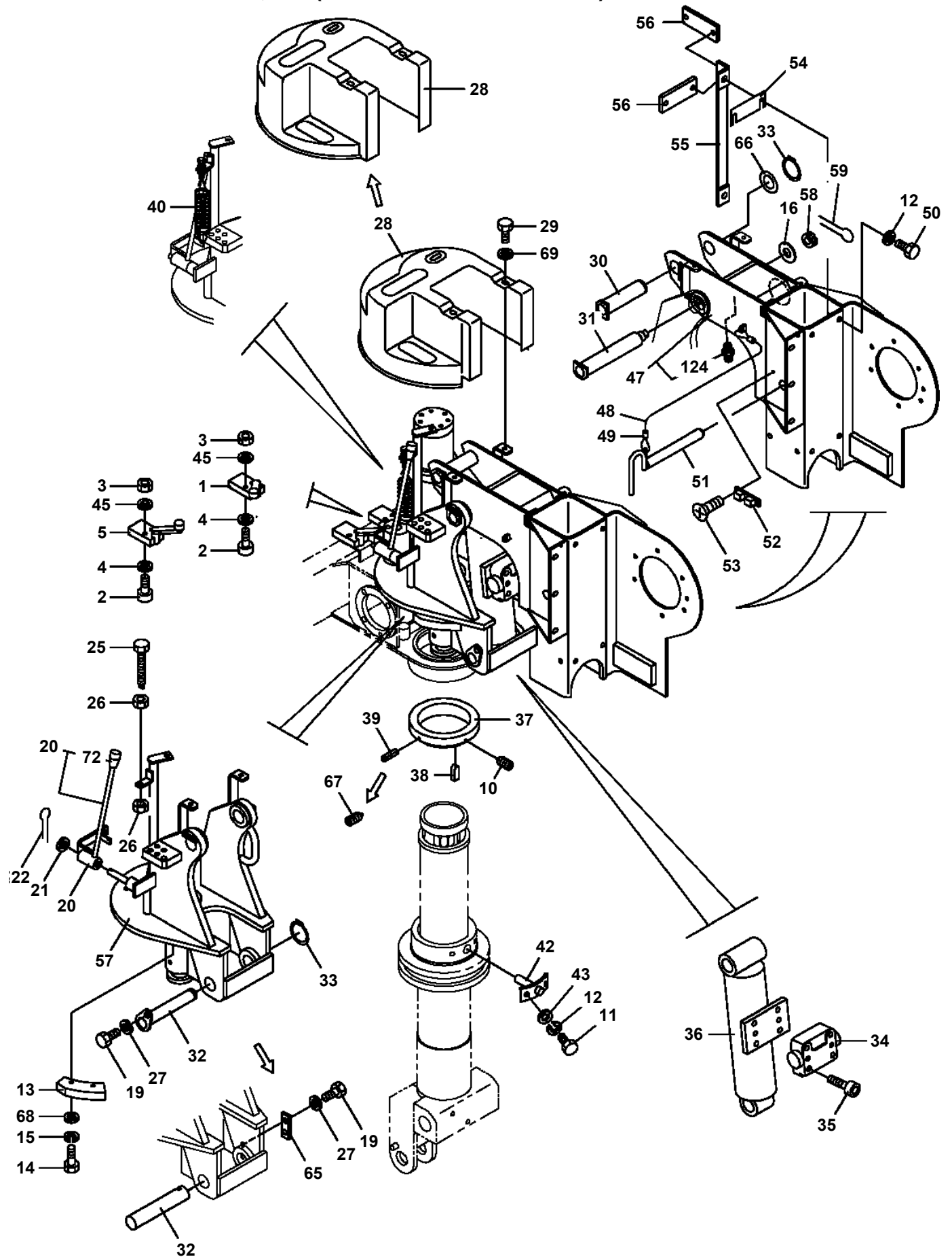


△: PACKING SET KEY NO.40 (KEY NO. 4, 5, 7, 8, 11, 13, 14)

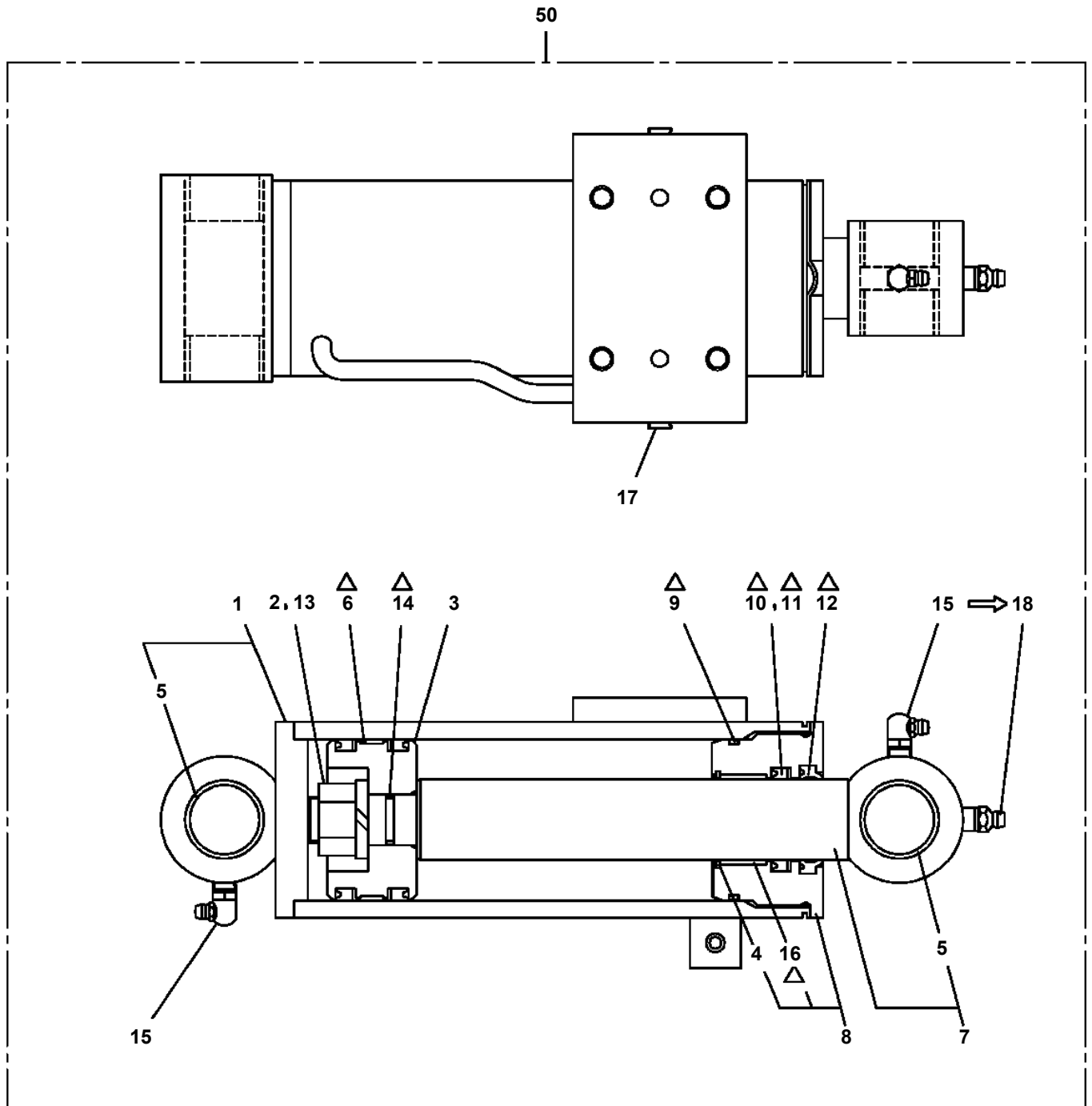


△: PACKING SET KEY NO.41 (KEY NO. 4, 5, 7, 8, 11, 13)

**AT-141-1 42043100026 UPPER
PF1350016-03 WINCH, JIB (SUPPORT. POWER JIB)**

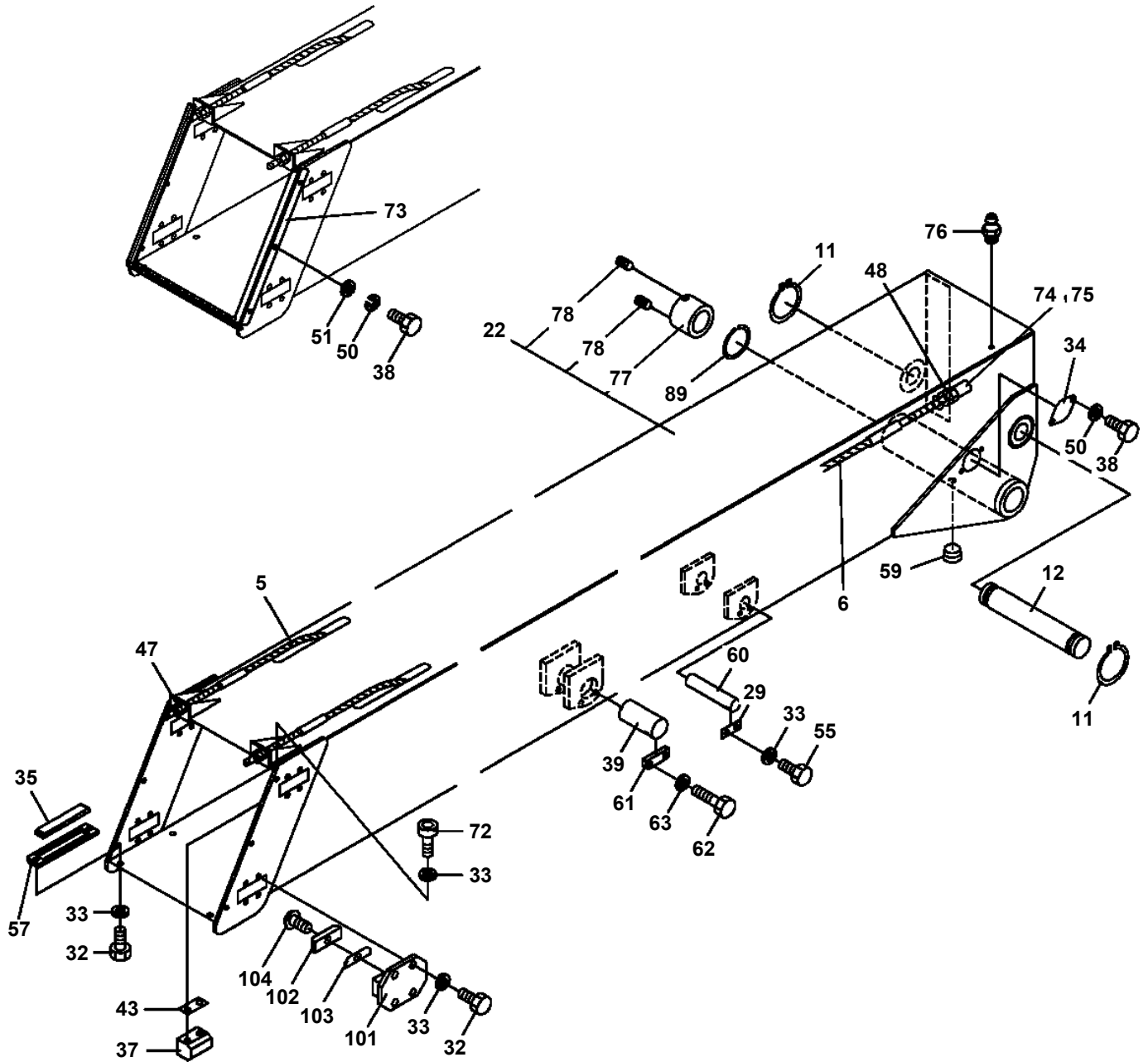


**AT-141-1 42043100026 UPPER
PF1360002-03 CYLINDER,WINCH JIB (POWER)**

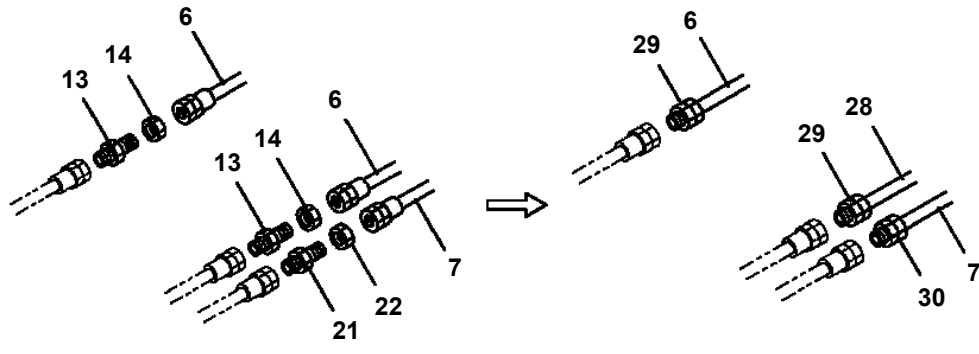


△:PACKING SET KEY NO.30 (KEY NO.6,9,10,11,12,14,16)

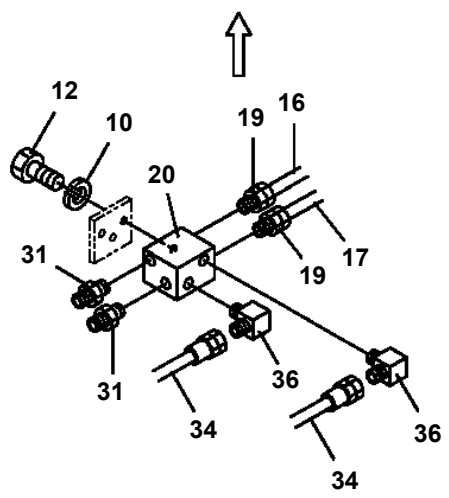
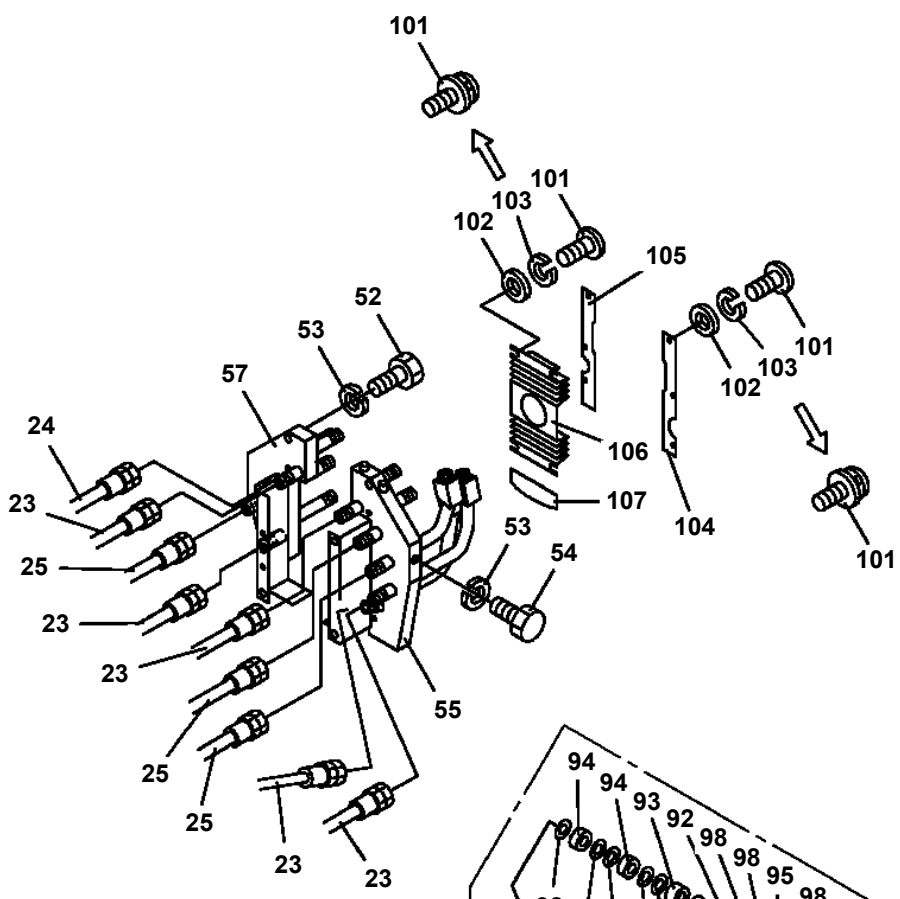
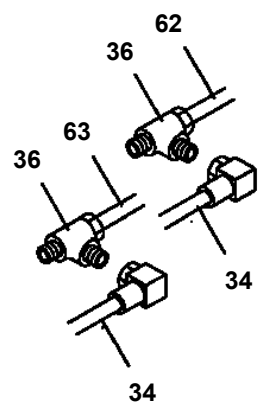
**AT-141-1 42043100026 UPPER
PG1010314-01 BOOM (FOR KINDEN)**



**AT-141-1 42043100026 UPPER
PG1200085-03 PIPING,TELESCOPING**

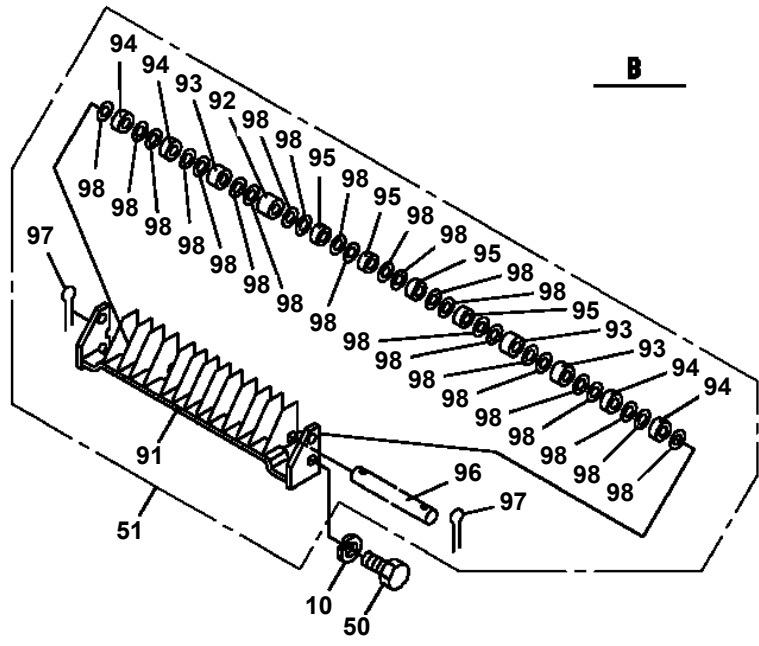


A



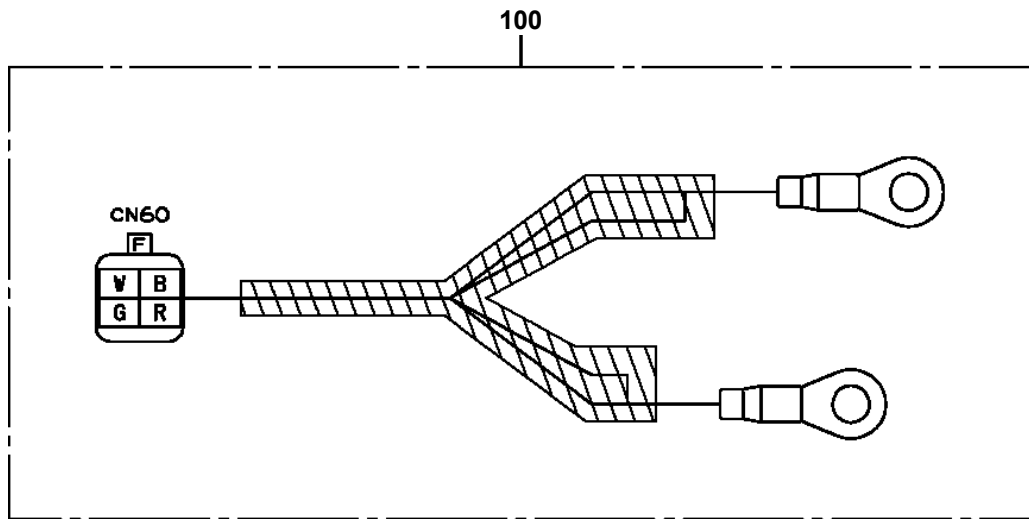
B

D

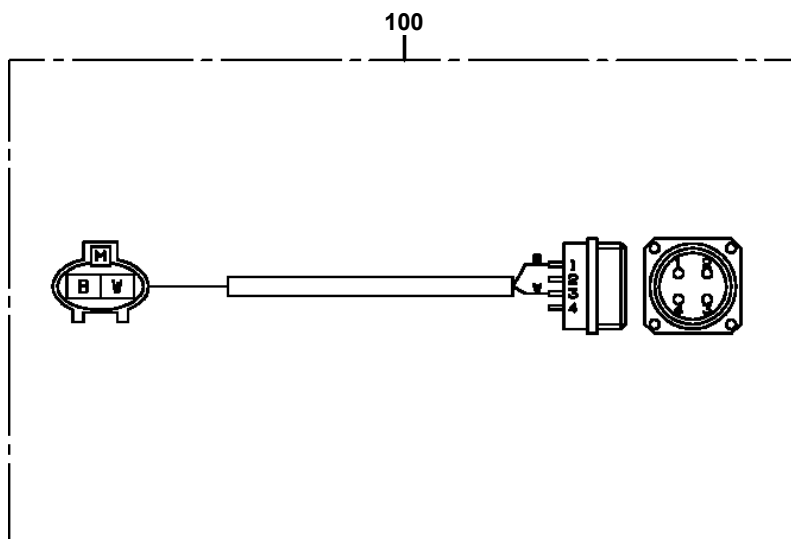


E

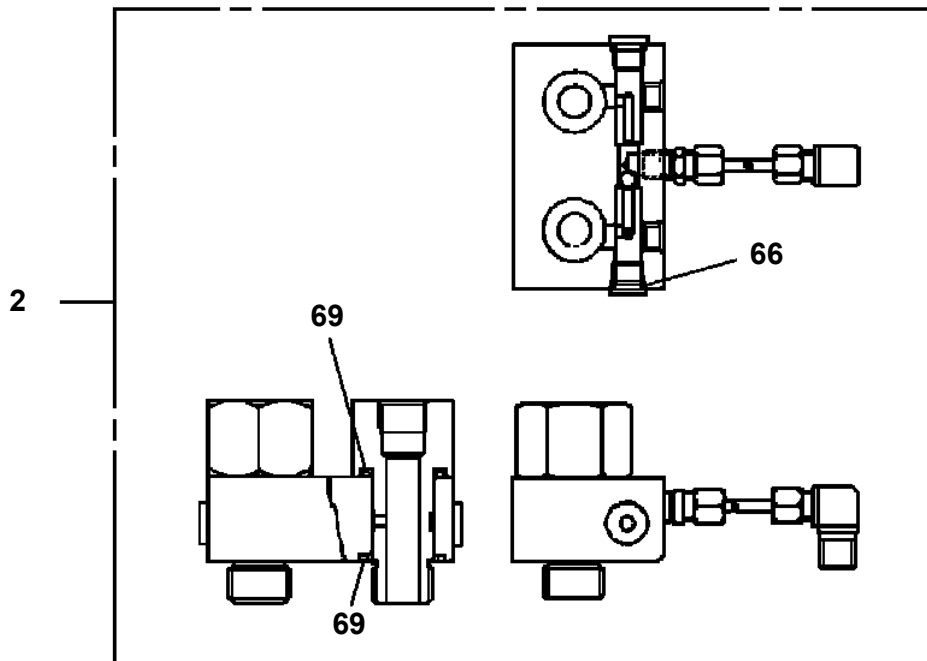
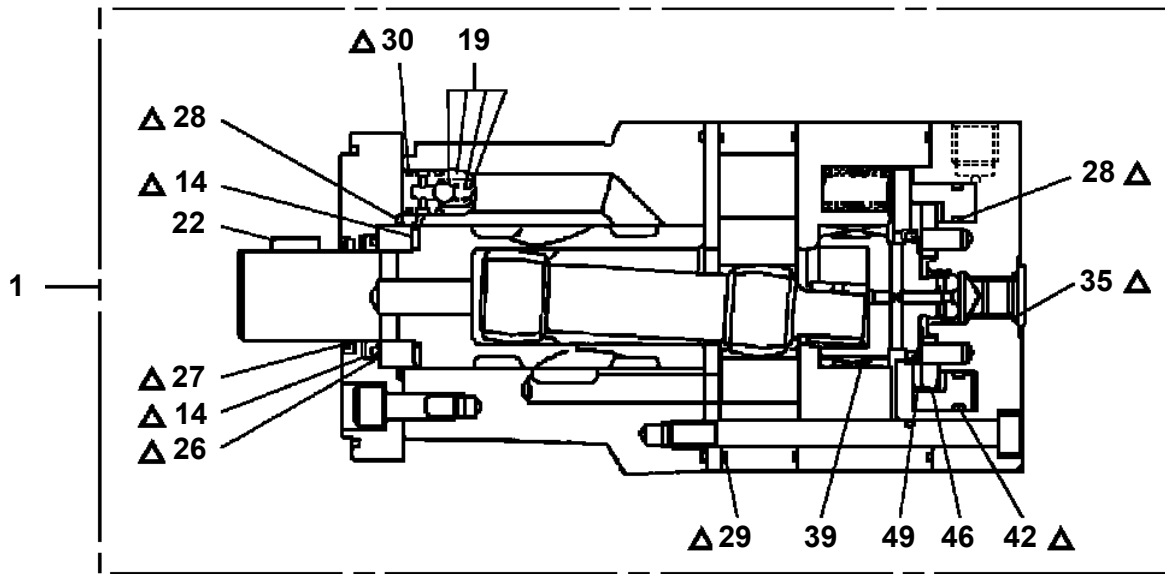
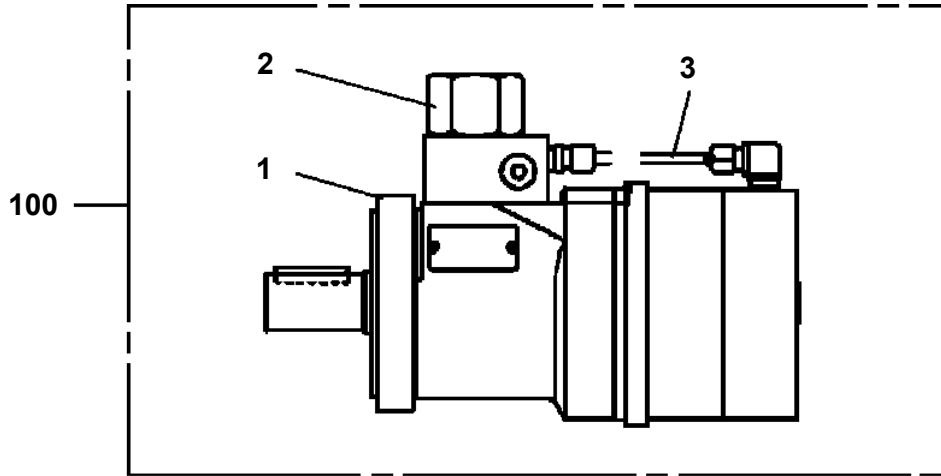
AT-141-1 42043100026 UPPER
PH5031064-00 HARNESS



**AT-141-1 42043100026 UPPER
PH5032820-00 HARNESS**



**AT-141-1 42043100026 UPPER
PI1010063-02 MOTOR, HYDRAULIC (POWER JIB SWING)**



△ : SEAL KIT KEY NO. 81 (KEY NO.14,26,27,28,29,30,35,42)

AT-141-1 42043100026 UPPER

Pos No.	Parts No	Parts Name	Qty	Unit	Technical Data	Serial No (Start)	Serial No (End)	Remarks	Pages
1	36100255010	RESERVOIR	1						
2	36102225020	CAP	1						
3	36102225030	NET	1						
4	36100255020	BAND	1						
30	36100250000	RESERVOIR,OIL	1						

CLICK HERE TO **DOWNLOAD** THE COMPLETE MANUAL

- Thank you very much for reading the preview of the manual.
- You can download the complete manual from: www.heydownloads.com by clicking the link below



- Please note: If there is no response to CLICKING the link, please download this PDF first and then click on it.

CLICK HERE TO **DOWNLOAD** THE COMPLETE MANUAL

AT-141-1 42043100026 UPPER

Pos No.	Parts No	Parts Name	Qty	Unit	Technical Data	Serial No (Start)	Serial No (End)	Remarks	Pages
2	50815054020	GASKET	2						
3	50815054030	SEAT,VALVE	2						
5	36620635010	SPRING	2						
6	50815054060	SEAT,SPRING	2						
7	50815054070	O-RING	2						
8	50815054090	PLUG	2						
11	91001101200	O-RING	2		1A P12				
14	36620635020	O-RING	1						
20	36621350000	VALVE,CHECK	1						

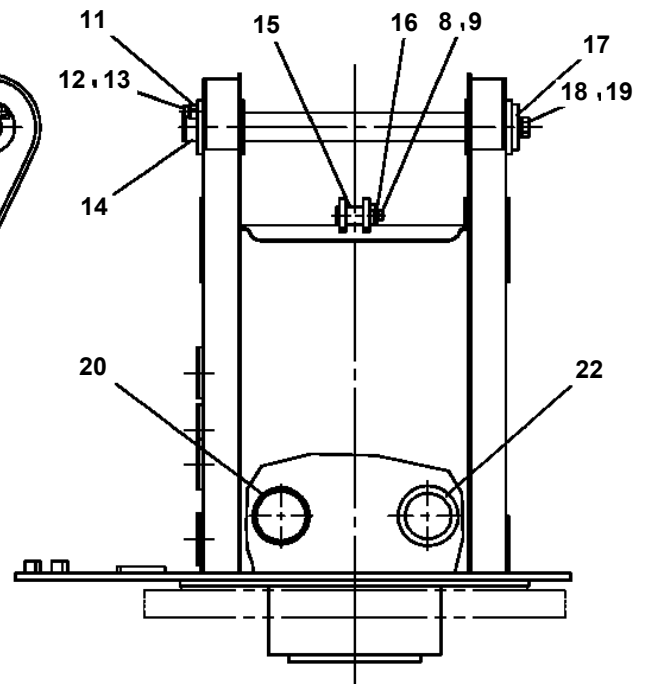
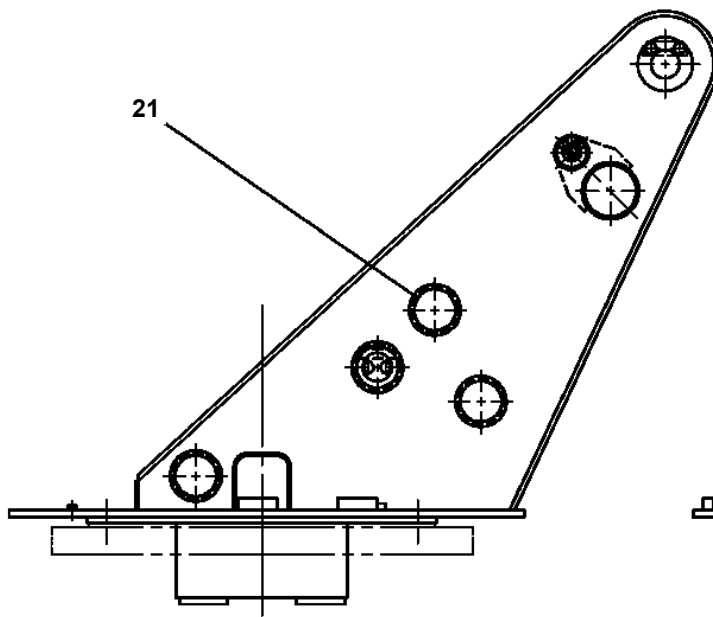
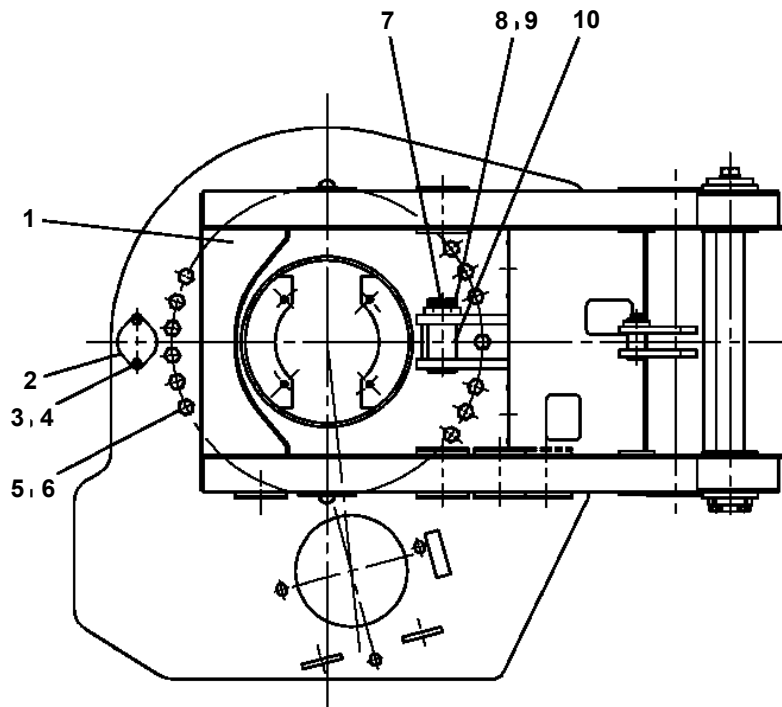
AT-141-1 42043100026 UPPER

Pos No.	Parts No	Parts Name	Qty	Unit	Technical Data	Serial No (Start)	Serial No (End)	Remark
3	91001203500	O-RING	1		1A G35			
8	91002801600	O-RING	1		1B P16			
13	91001101200	O-RING	2		1A P12			
14	91002801800	O-RING	1		1B P18			
20	36603090000	VALVE,COUNTERBALANCE	1					

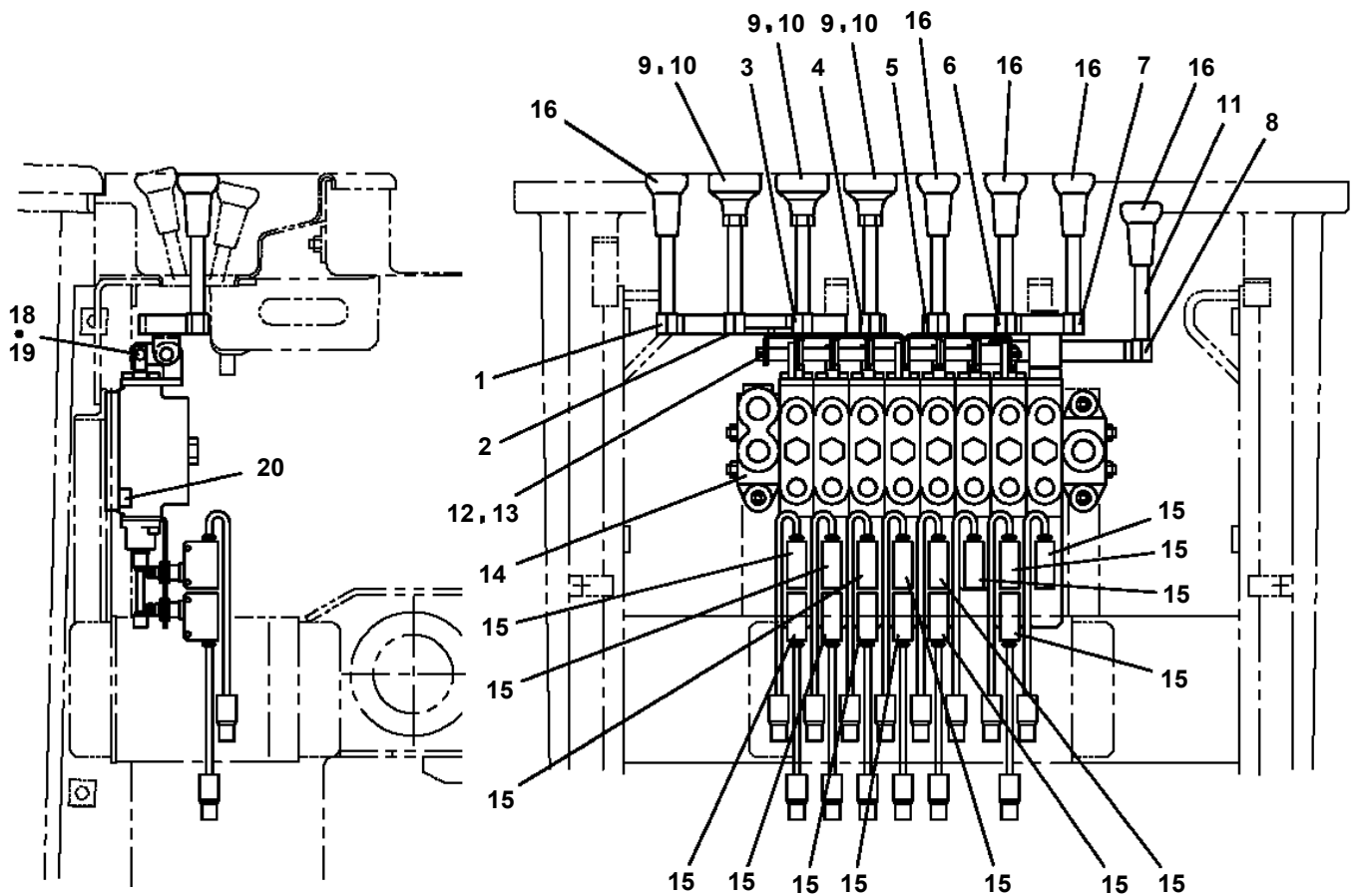
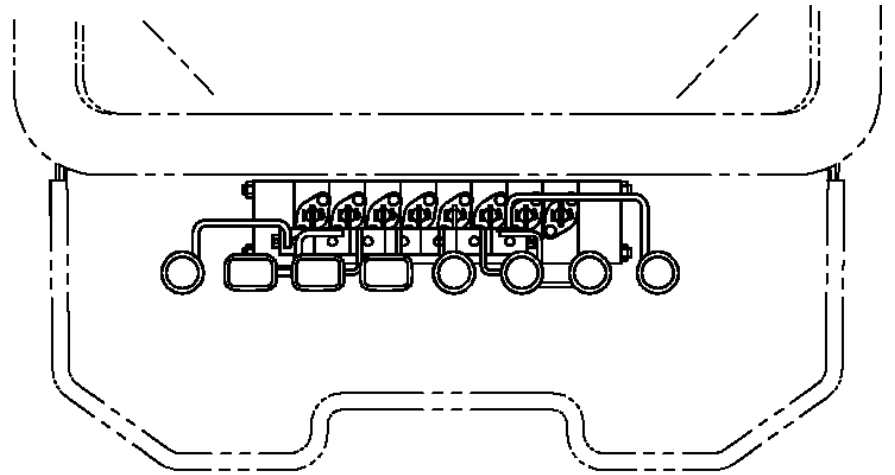
AT-141-1 4204310026 UPPER

Pos No.	Parts No	Parts Name	Qty	Unit	Technical Data	Serial No (Start)	Serial No (End)
1	42261172001	BUCKET (WHITE)	1				
2	42260171500	CASE,INNER	1				
3	90101512065	BOLT	8		M12X65		226067
	90171112065	BOLT	8		M12X65	226068	
4	90302041201	WASHER,SPRING	12		12		226315
	90302041201	WASHER,SPRING	4		12	226316	
5	90303071201	WASHER,PLAIN	8		12		226315
	90303071201	WASHER,PLAIN	4		12	226316	
6	90101210016	BOLT	4		M10X16		
7	90302041001	WASHER,SPRING	4		10		
8	90303071001	WASHER,PLAIN	4		10		
9	42261490010	PLATE	2				
10	42261620020	PIN	1				
11	82456106000	NIPPLE,GREASE	1		1/4-28UNF		
12	80175303008	SCREW,MACHINE	4		M3X8		226067
13	42261490100	PANEL	1				
14	37001505350	BOLT	6		M6X20		
15	42261490201	COVER	1				
16	90101204010	BOLT	4		M4X10		
17	91001211000	O-RING	1		1A G110		
18	42261491002	FRAME	1				
19	42261420080	BEARING,PLAIN	1				226067
20	42261420701	WHEEL,WORM	1				225525
	42261490050	WHEEL,WORM	1			225526	226067
	42261490060	WHEEL,WORM	1			226068	226297
	42261490070	WHEEL,WORM	1			226298	
21	42261490800	GUIDE	1				
22	36662070000	MOTOR,HYDRAULIC (BUCKET SWING)	1				
23	90131712030	BOLT,HEXAGON SOCKET	2		M12X30		225724
24	90309341203	WASHER,SPRING	2		12		
25	42260663750	WORM	1				
26	42261420400	HOLDER ASSY	1				
27	90131712035	BOLT,HEXAGON SOCKET	4		M12X35		225724
	90131712035	BOLT,HEXAGON SOCKET	6		M12X35	225725	226067
	90172112035	BOLT,HEXAGON SOCKET	6		M12X35	226068	
28	42260663760	COVER	1				
29	90236402409	NUT,CASTLE	1		M24		
30	80136350045	PIN,SPLIT	1		5X45		
31	37000308110	SPACER	1				
32	42260663700	SPACER	1				
33	37001506520	BOLT	2		M8X15		
34	42261490301	COVER	1				
35	90131712020	BOLT,HEXAGON SOCKET	2		M12X20		226067
	90172112020	BOLT,HEXAGON SOCKET	2		M12X20	226068	
36	90101206016	BOLT	4		M6X16		
37	90302040601	WASHER,SPRING	4		6		
38	80136363050	PIN,SPLIT	1		6.3X50		
39	90101208014	BOLT	6		M8X14		225670
	90101208014	BOLT	2		M8X14	225671	
40	90302040801	WASHER,SPRING	6		8		
41	42261490600	SUPPORT	1				
42	42261493500	GUIDE	1				225529
	42261493501	GUIDE	1			225530	
43	82459203000	NIPPLE,GREASE	1		C-PT1/8		
44	42261622011	COVER	1				
45	42261490401	COVER	1				
46	37001505800	BOLT	1		M8X30		
47	37001505790	BOLT	6		M8X20		
48	82400000422	FASTENER	3				
49	42262151000	POST ASSY	1				
50	42261370010	PIN ASSY	1				
51	42261490700	SUPPORT	1				
52	90131510020	BOLT,HEXAGON SOCKET	2		M10X20		226067

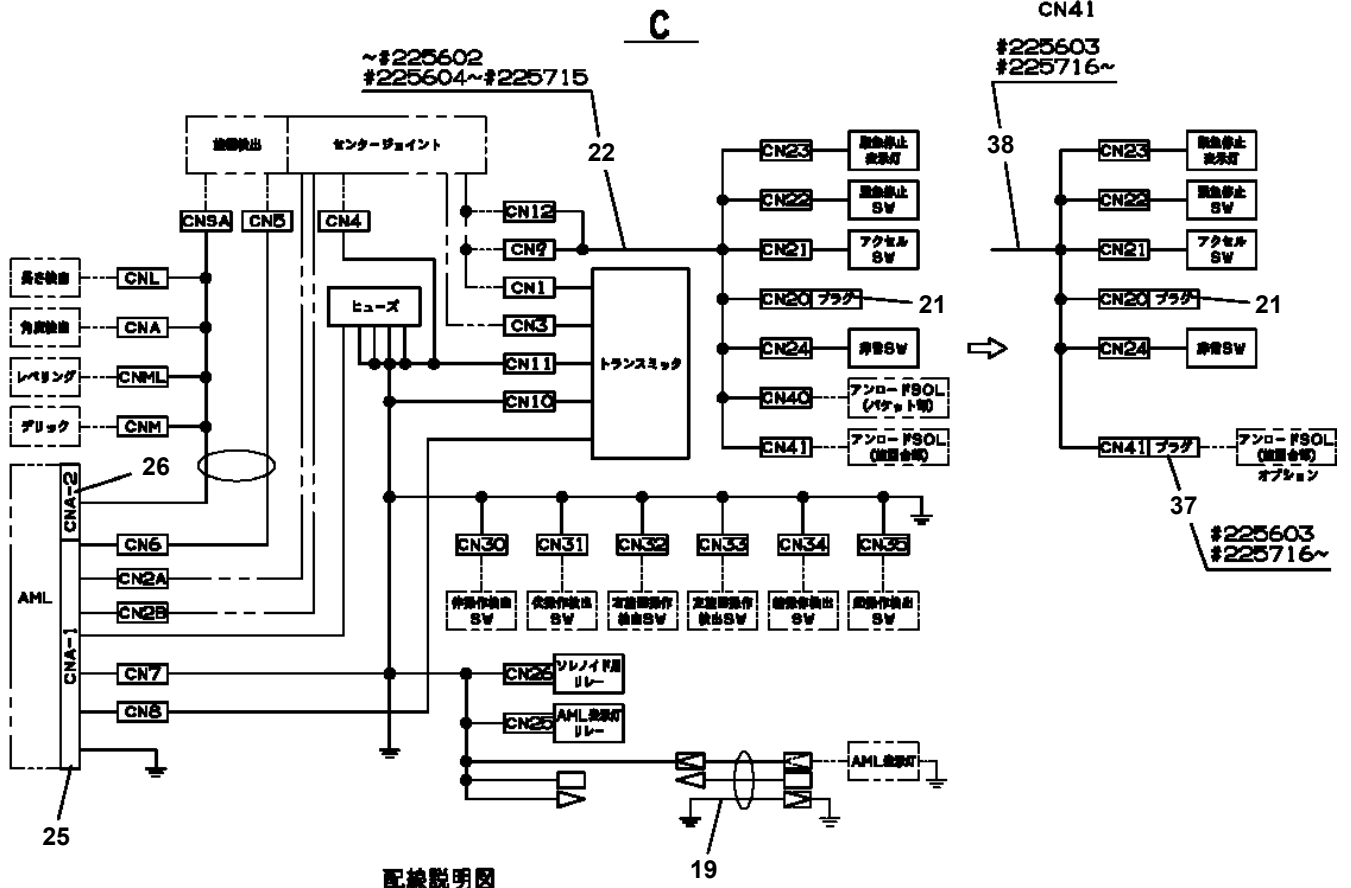
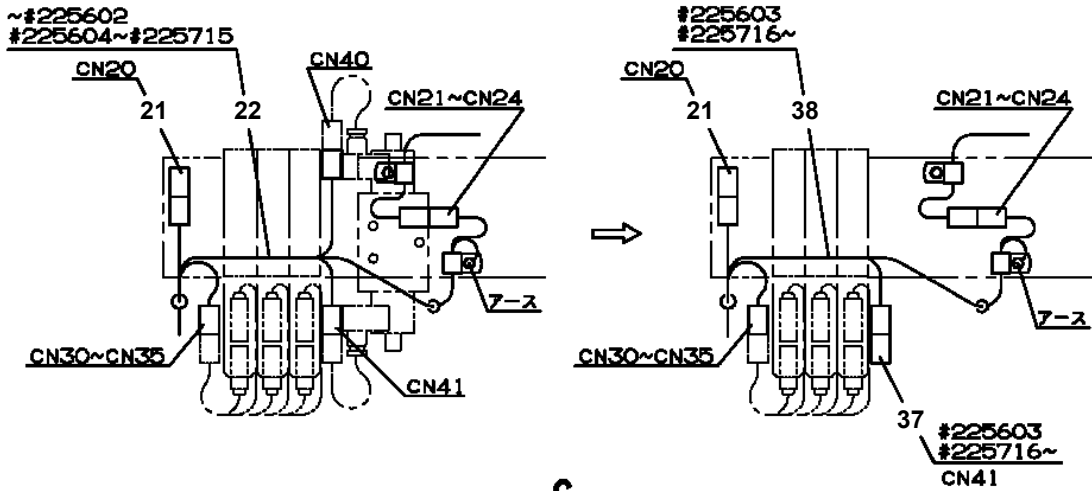
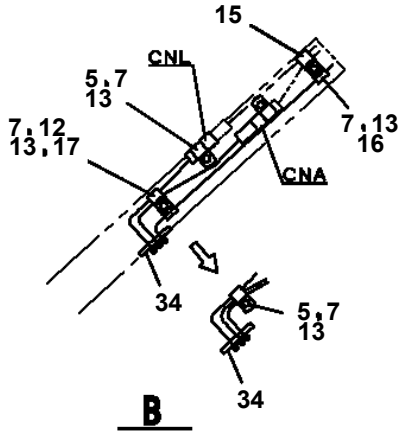
**AT-141-1 42043100026 UPPER
PK1100117-00 SWING FRAME**



AT-141-1 42043100026 UPPER
PL1010603-00 OPE.ASSY,CONT.VALVE (BUCKET)

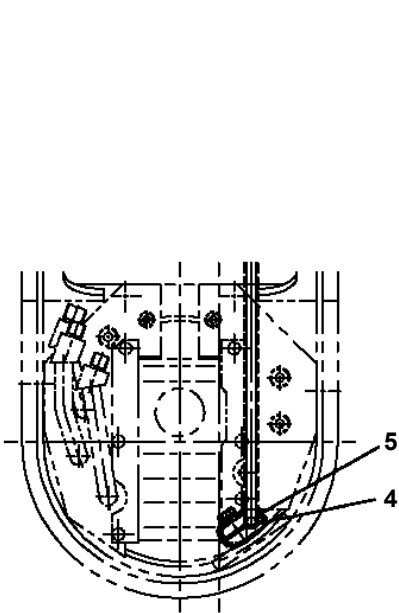
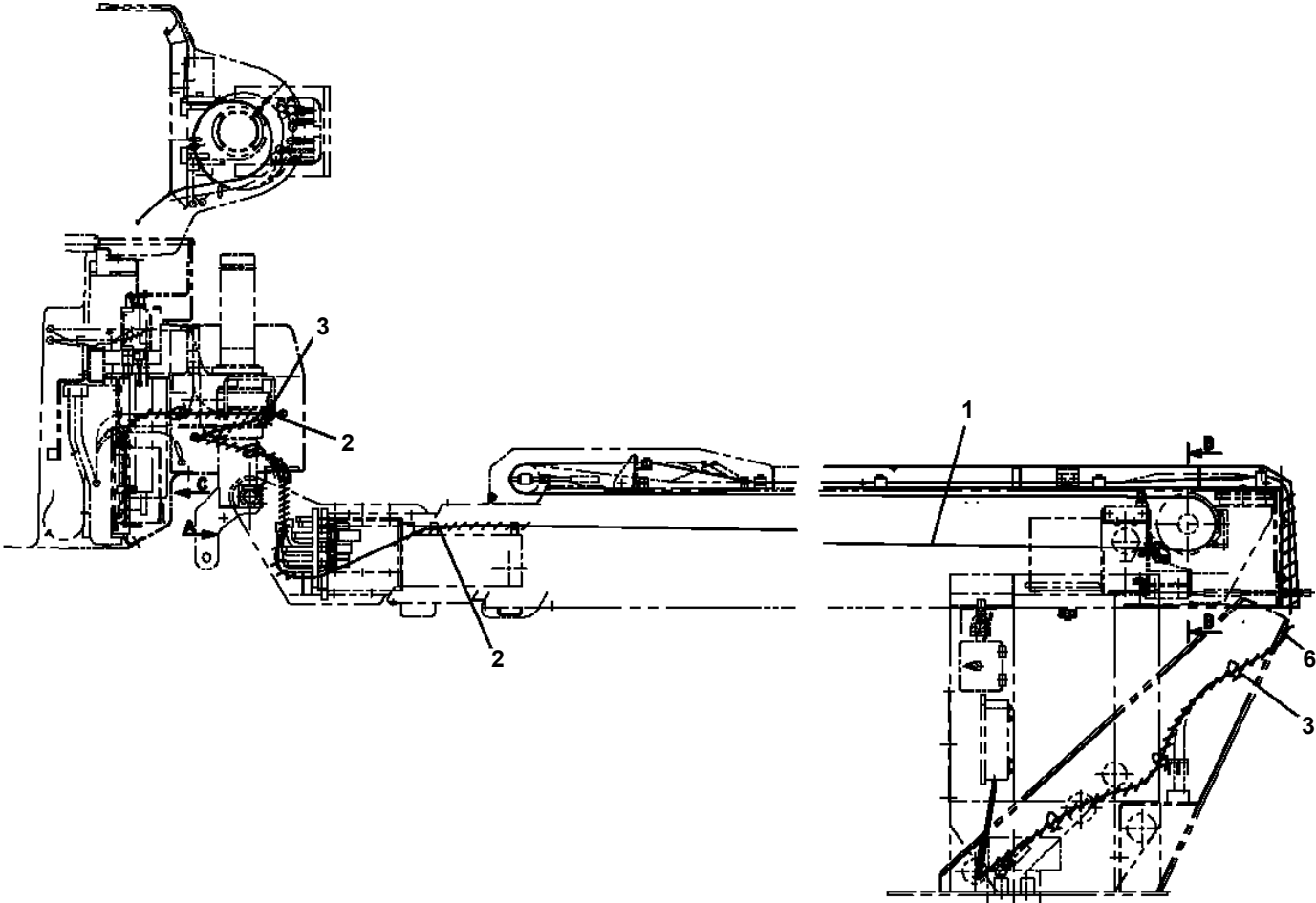


AT-141-1 42043100026 UPPER
 PN1010736-07 ELEC.ASSY (SWING FRAME)

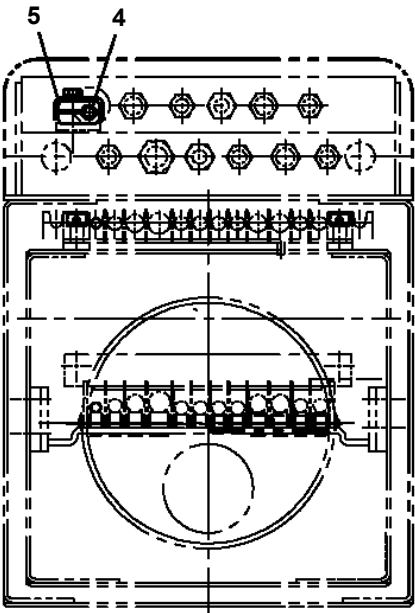


配線説明図

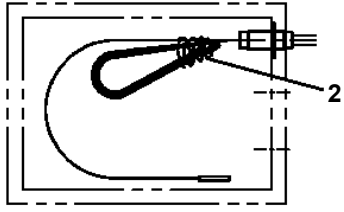
**AT-141-1 42043100026 UPPER
PN1030014-00 OPTICAL CABLE**



A



B-B



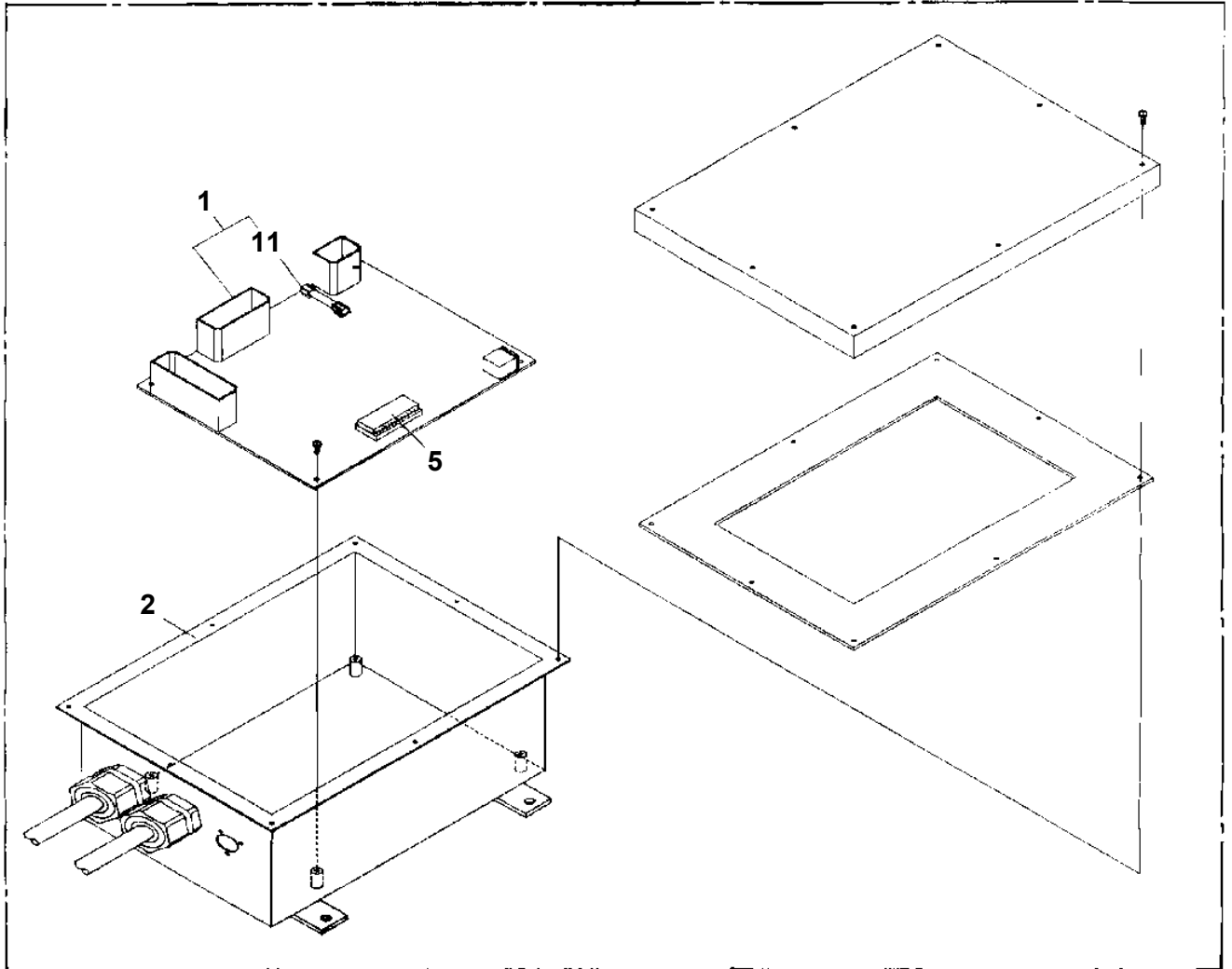
C

AT-141-1 42043100026 UPPER

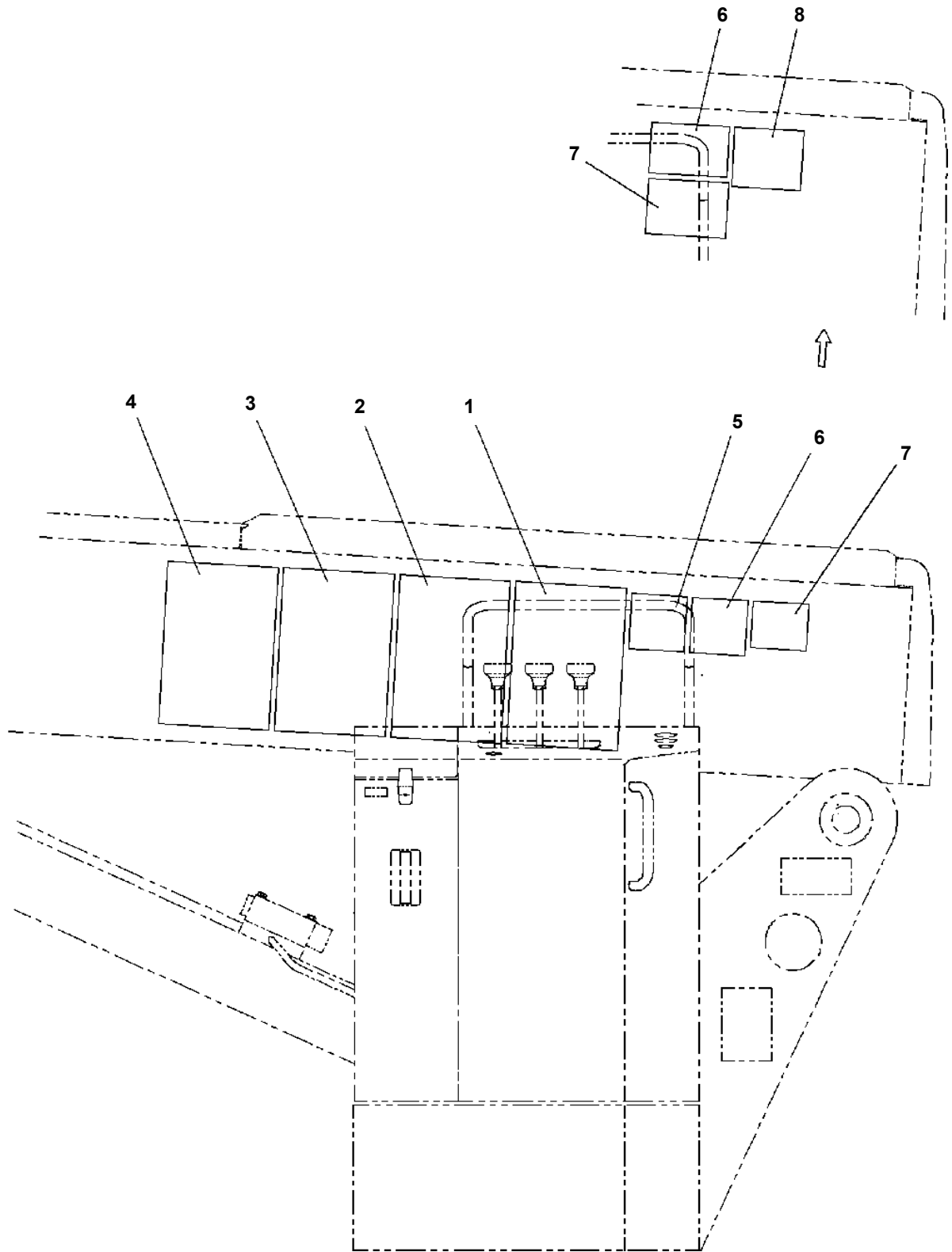
PN1210024-00 TRANSMITTER, SIGNAL (SWING FRAME)

ASSEMBLY NAME TRANSMITTER, SIGNAL (SWING FRAME)

20

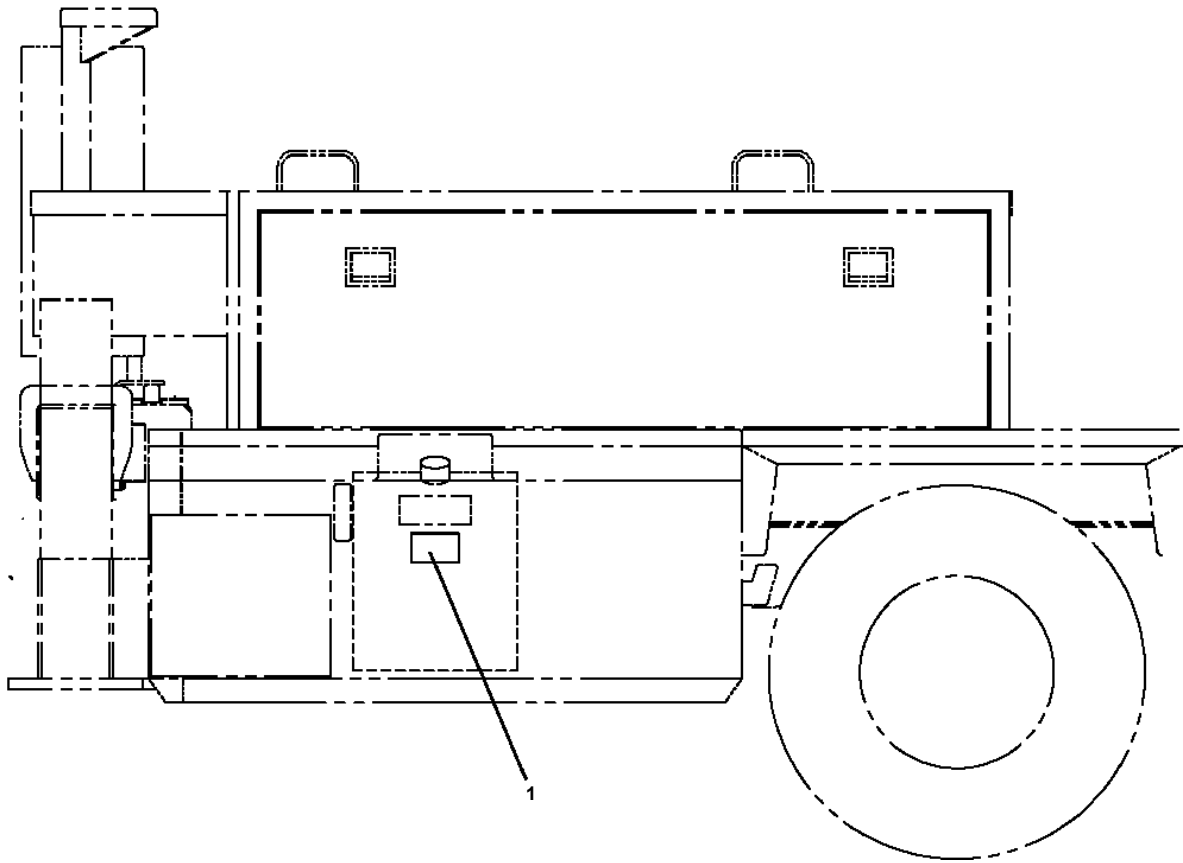


AT-141-1 42043100026 UPPER
PO1010779-01 PLATE ASSY,NAME (WORKING RANGE.L)



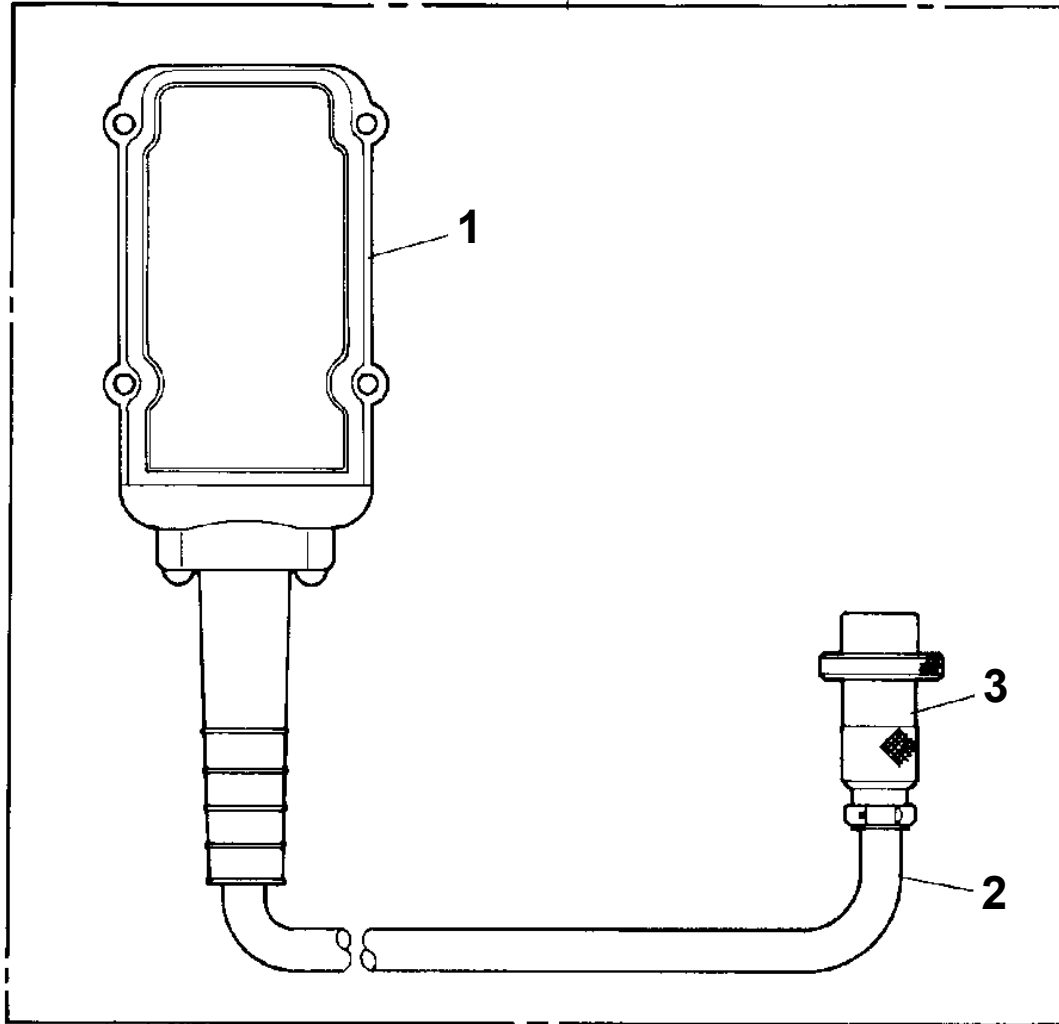
**AT-141-1 42043100026 UPPER
PO1014252-00 PLATE ASSY,NAME (HYDRAULIC OIL)**

FRONT ←

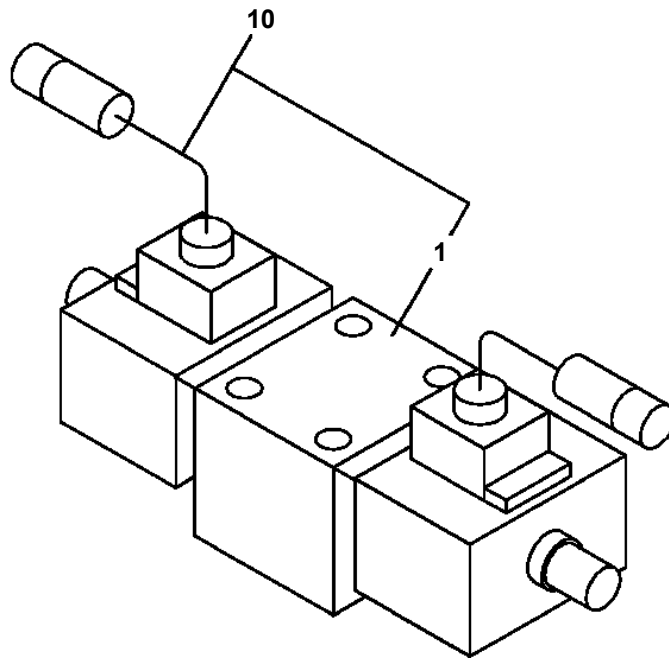


**AT-141-1 42043100026 UPPER
PV1030001-00 SWITCH BOX (FOR BOOSTER)**

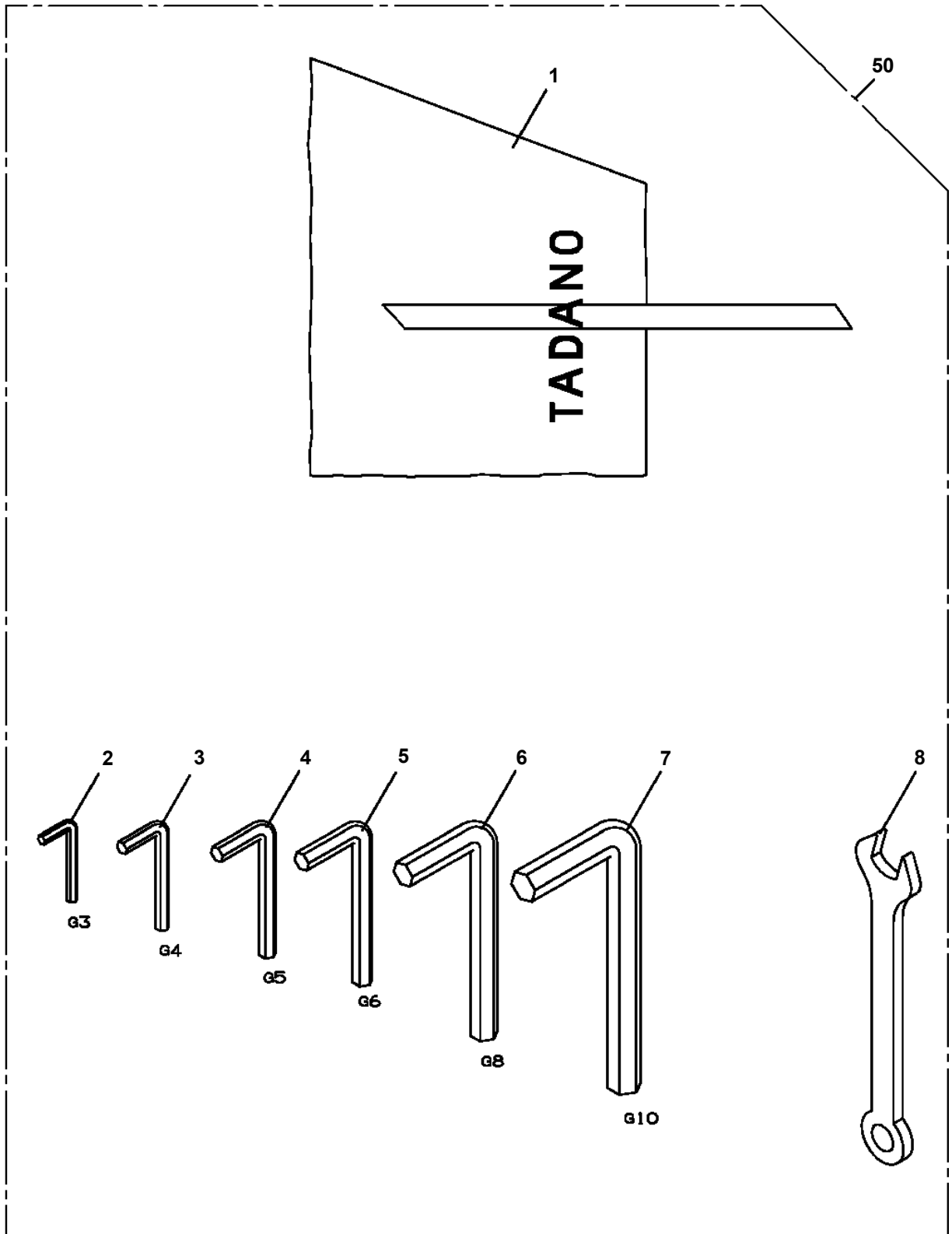
10



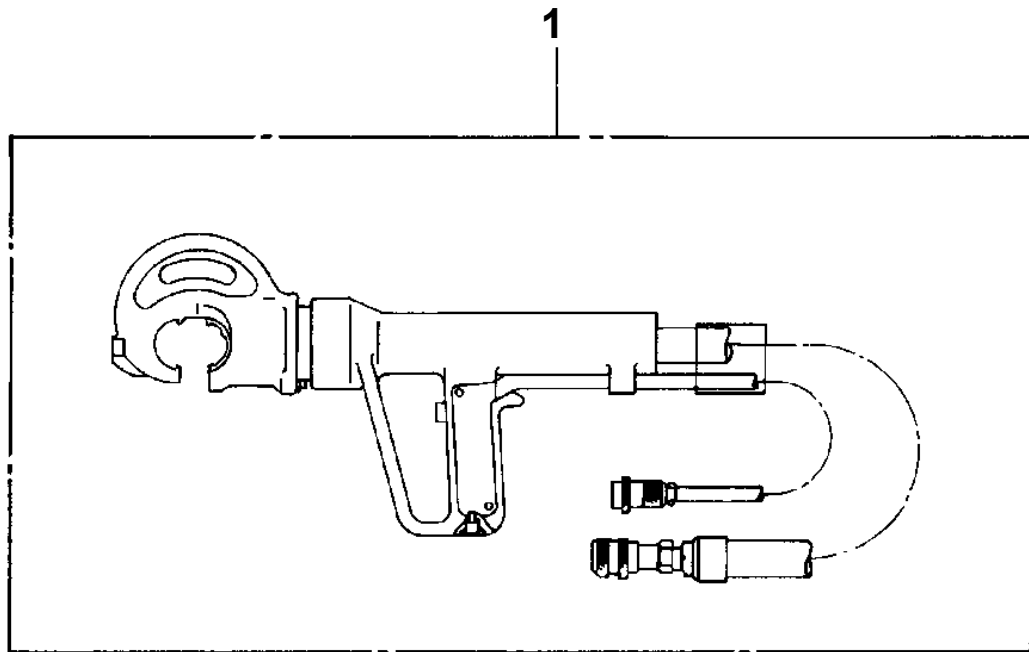
**AT-141-1 42043100026 UPPER
PV5240012-00 VALVE ASSY,SOLENOID**



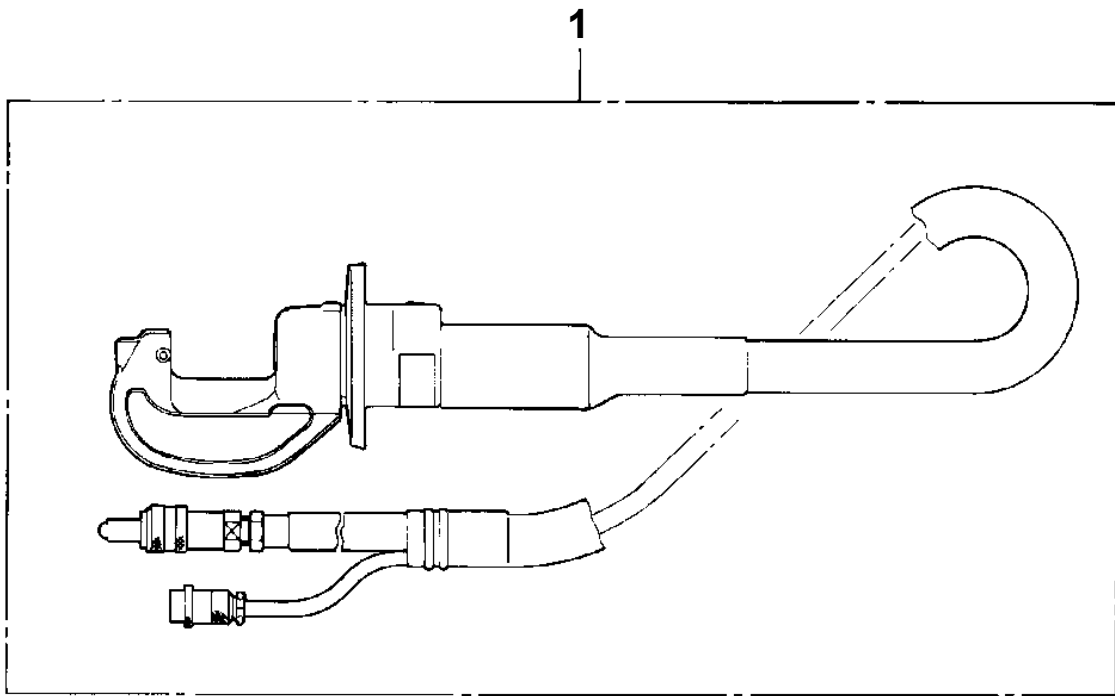
AT-141-1 42043100026 UPPER
PW1030047-01 TOOLS



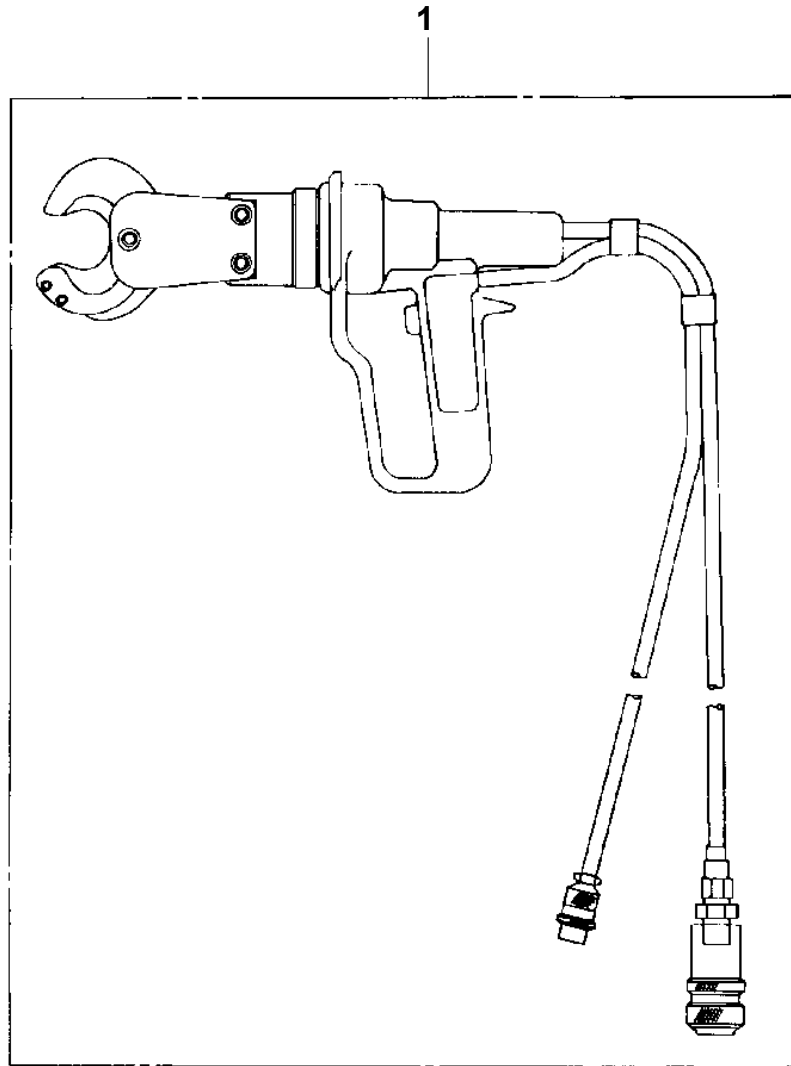
**AT-141-1 42043100026 UPPER
PY1050000-00 CLAMP HEAD (IZUMI 12TON 2.5M)**



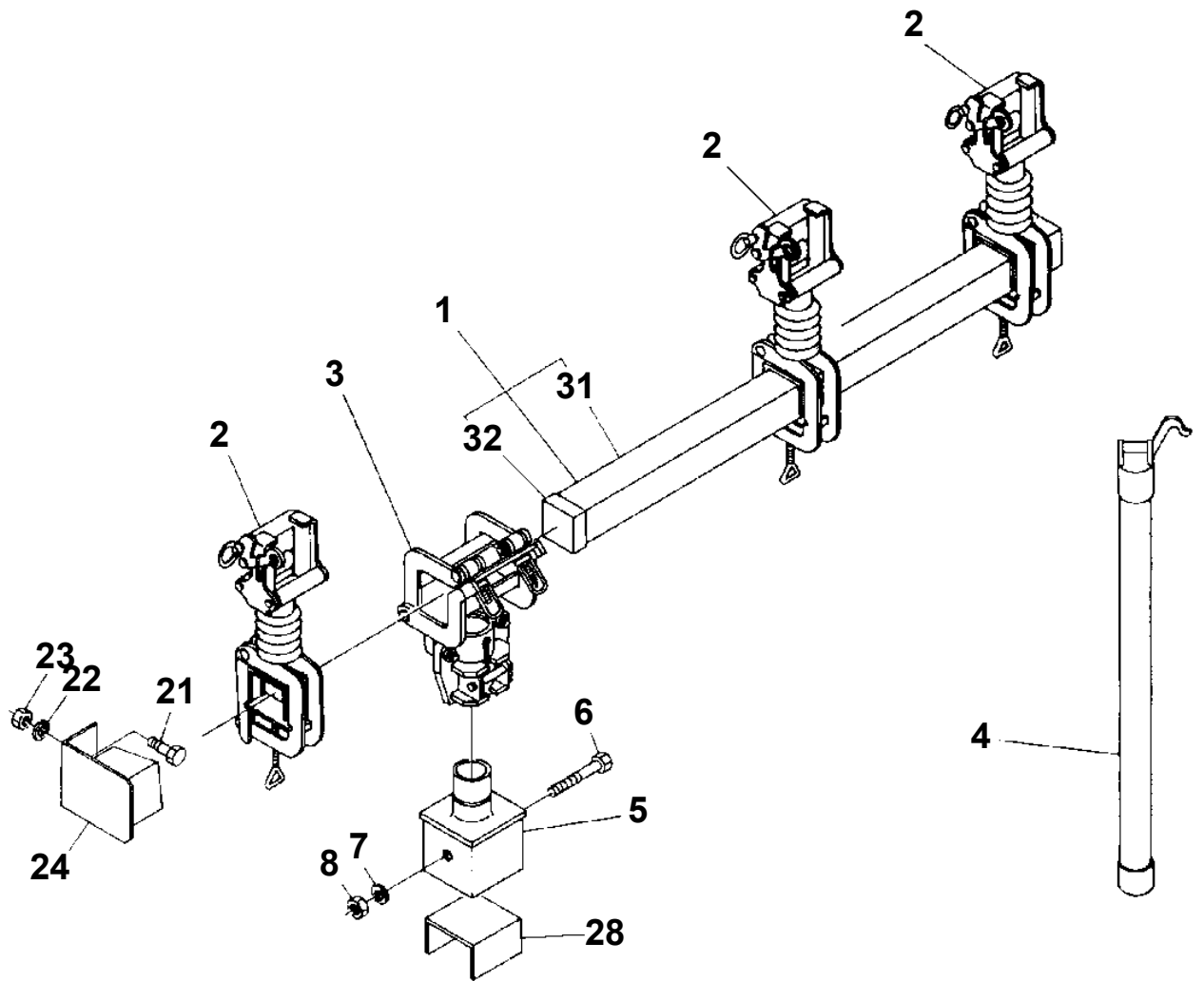
AT-141-1 42043100026 UPPER
PY1050006-00 CLAMP HEAD (IZUMI 7.5TON 3M ELECTRIC)



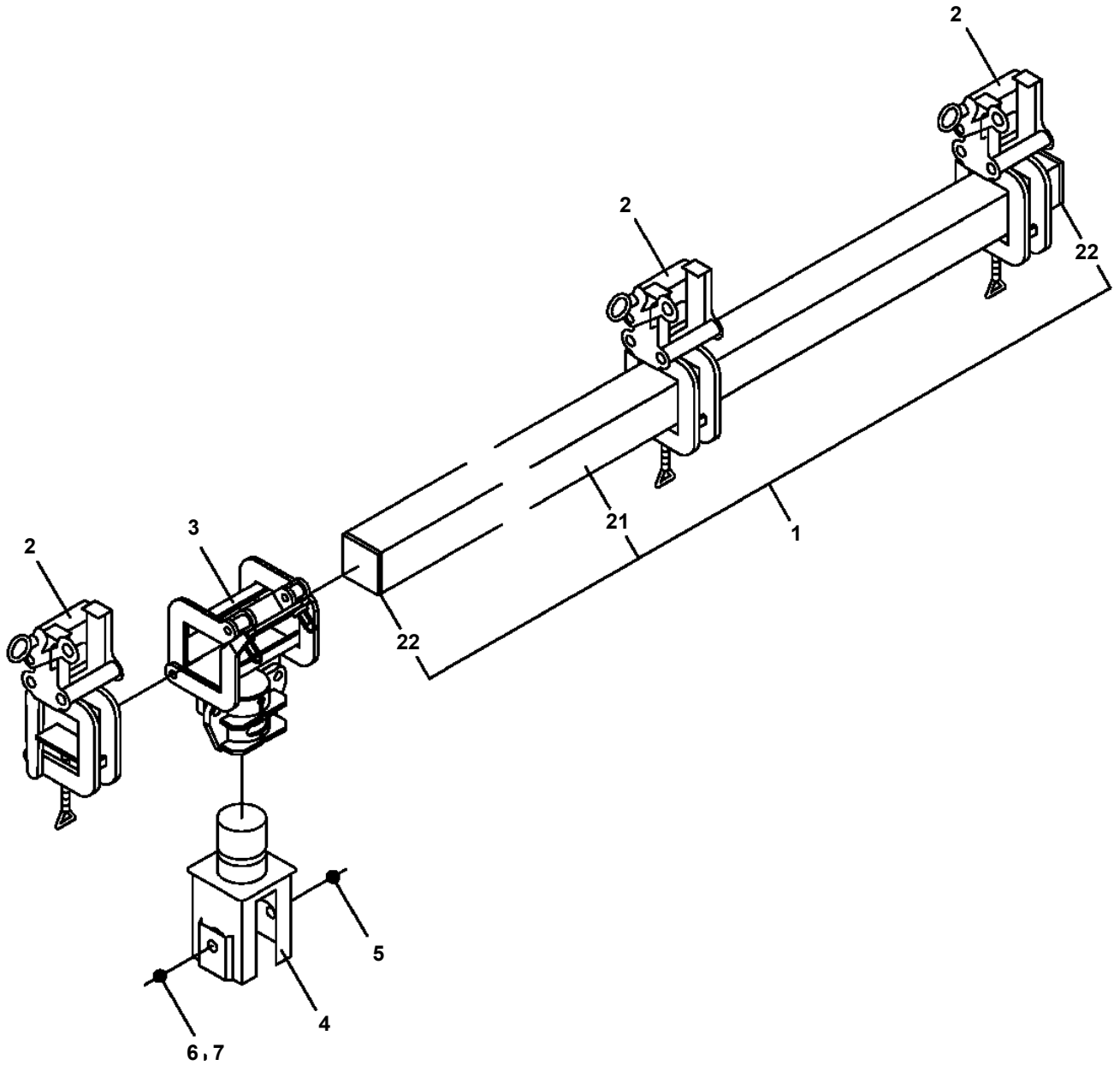
**AT-141-1 42043100026 UPPER
PY1060001-00 CUTTER HEAD (IZUMI 6.4TON 2.5M ELECTRIC)**



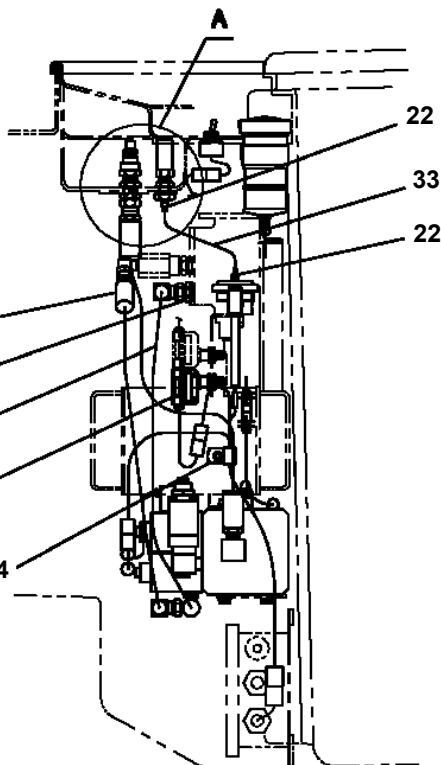
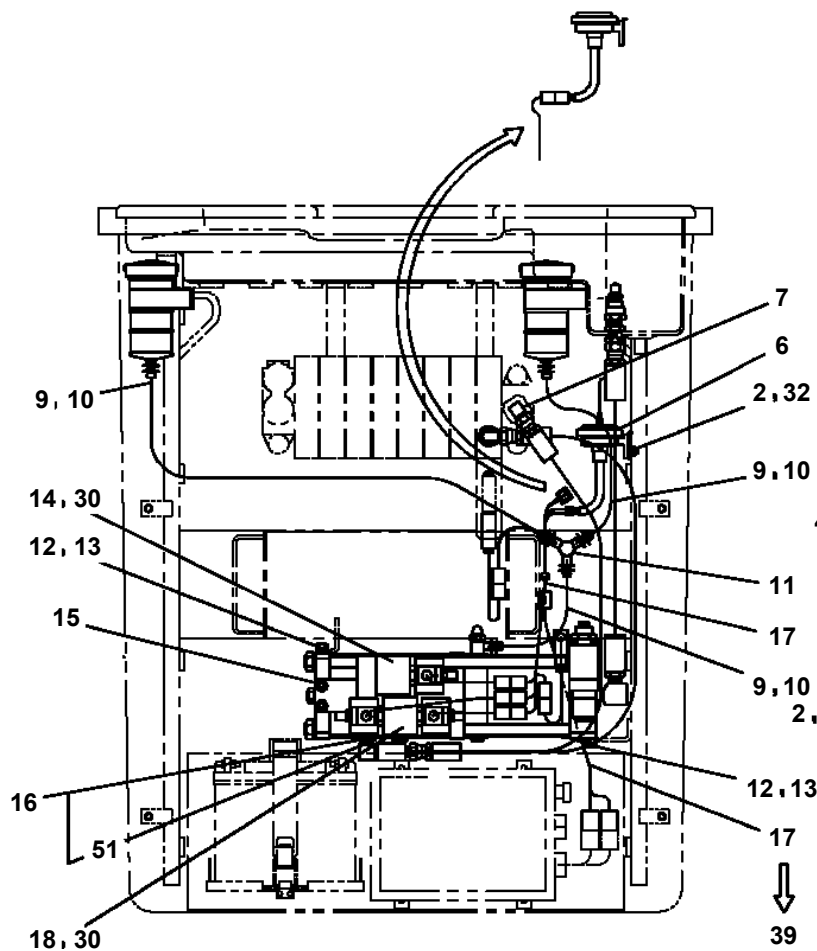
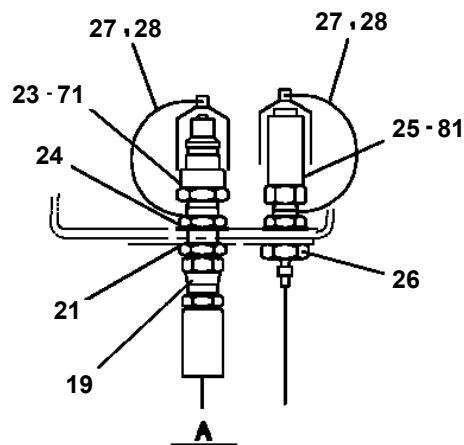
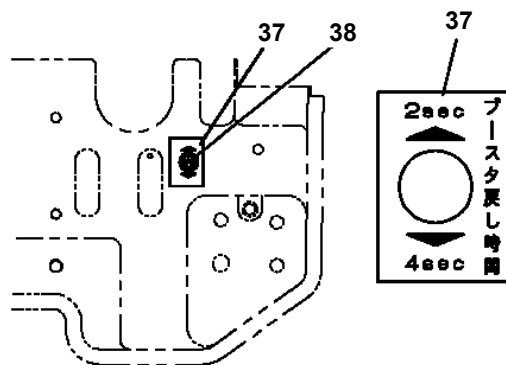
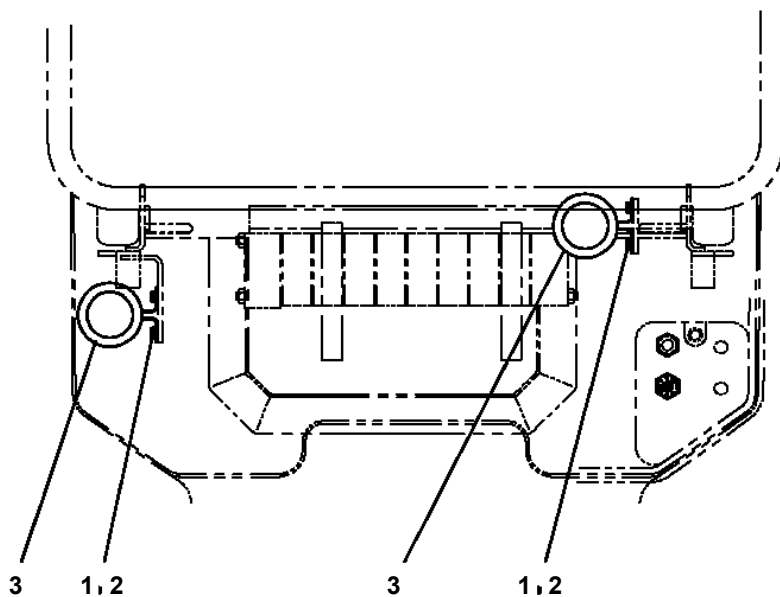
AT-141-1 42043100026 UPPER
PY1080002-02 ARM



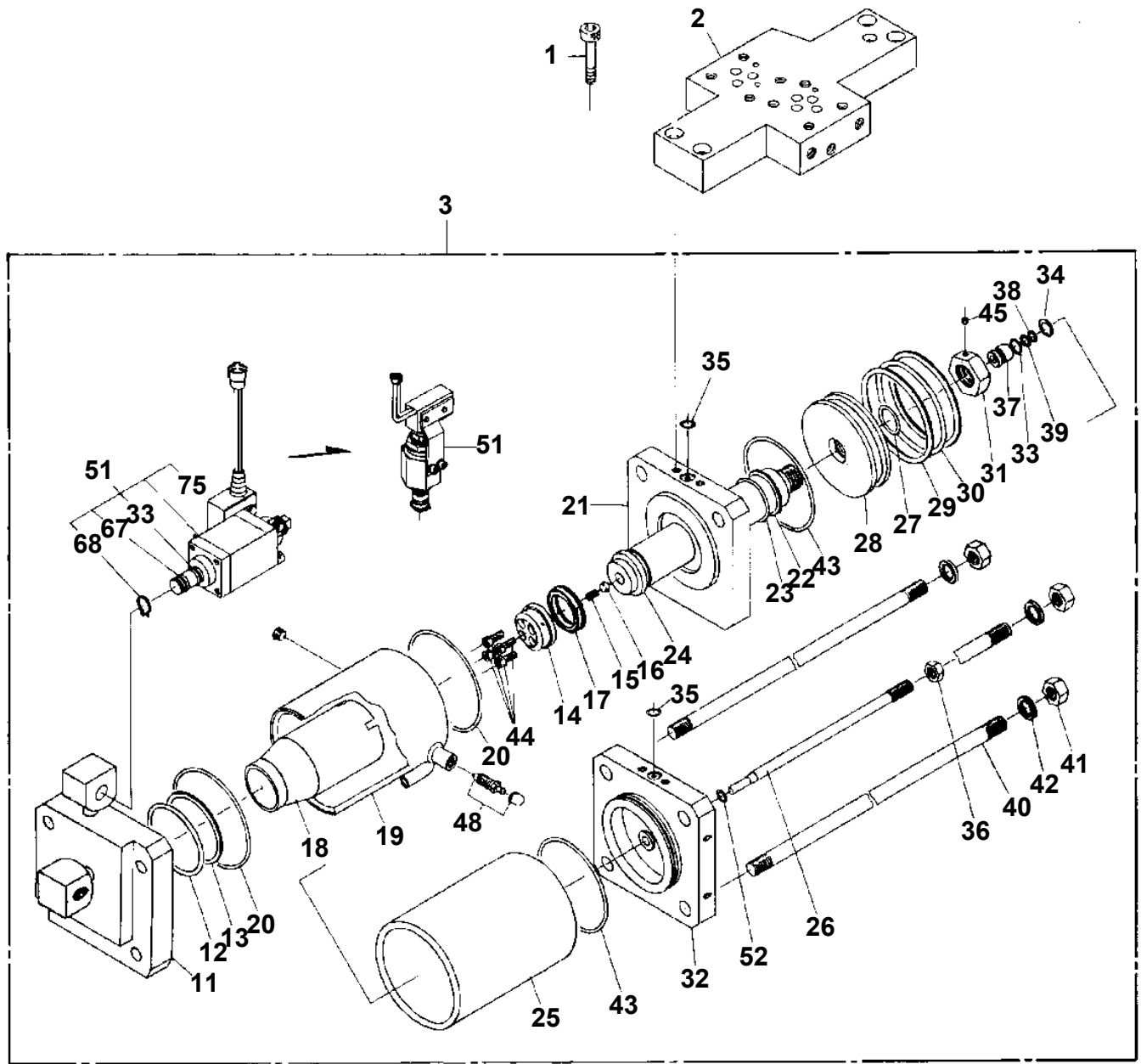
**AT-141-1 42043100026 UPPER
PY1080007-01 ARM (INSULATION JIB)**



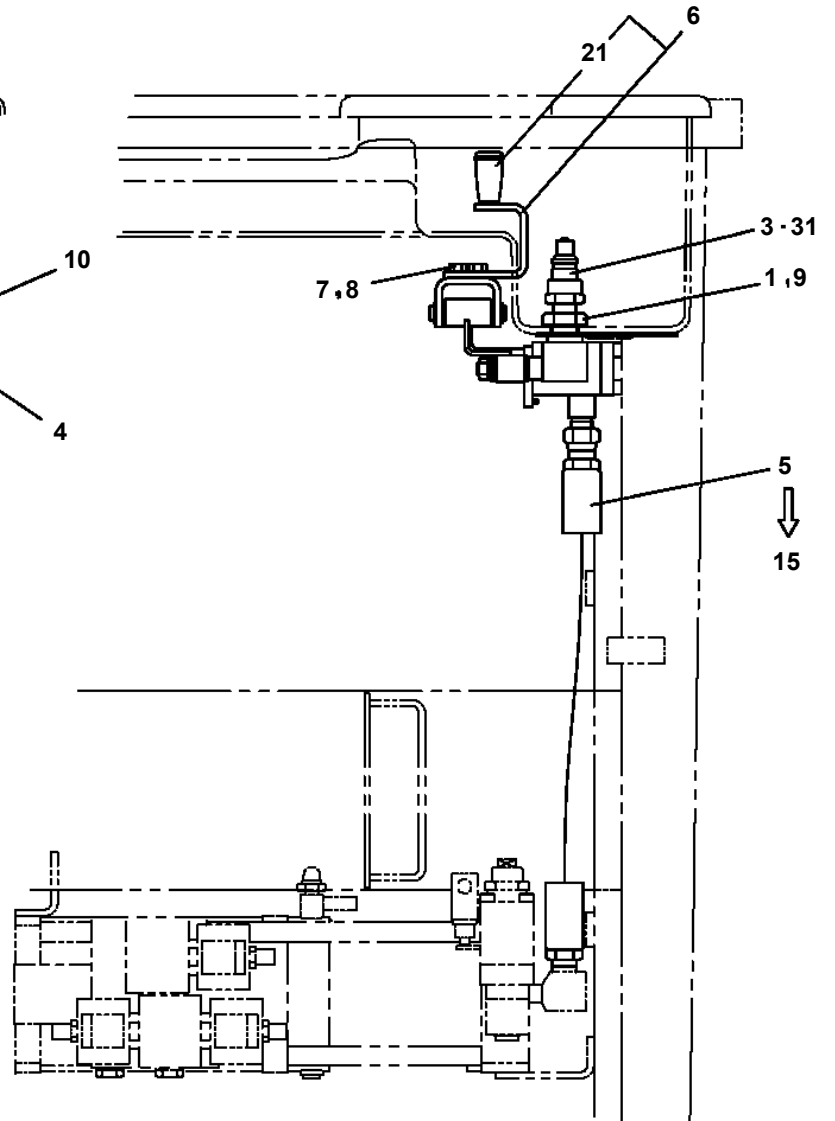
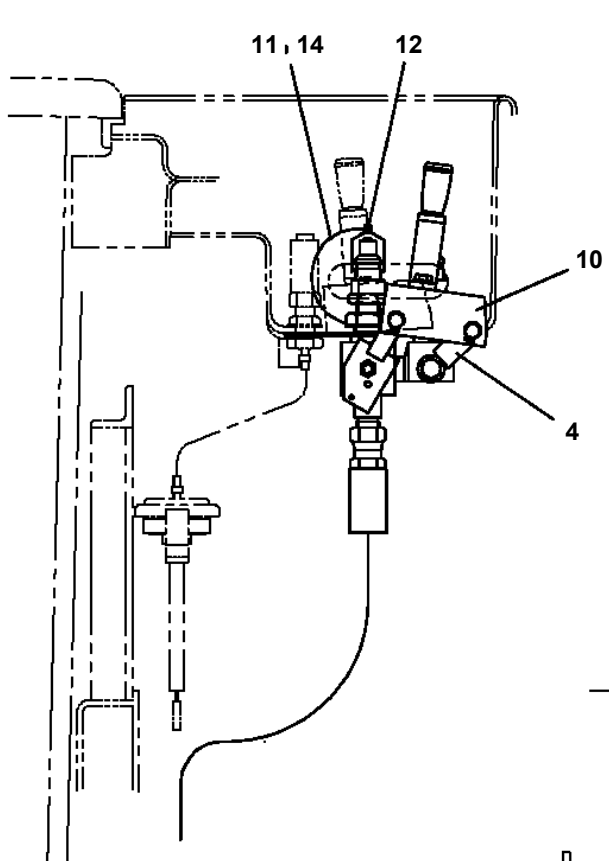
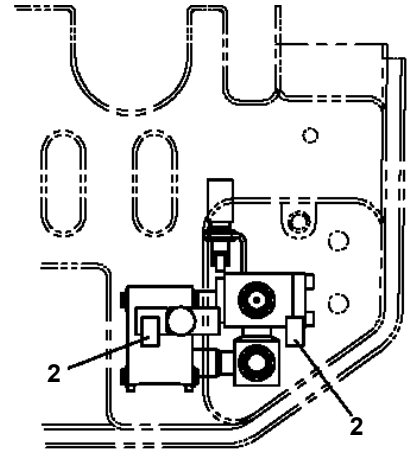
**AT-141-1 42043100026 UPPER
PY1160032-03 BOOSTER (AIR,WITHOUT BUCKET LIFT)**



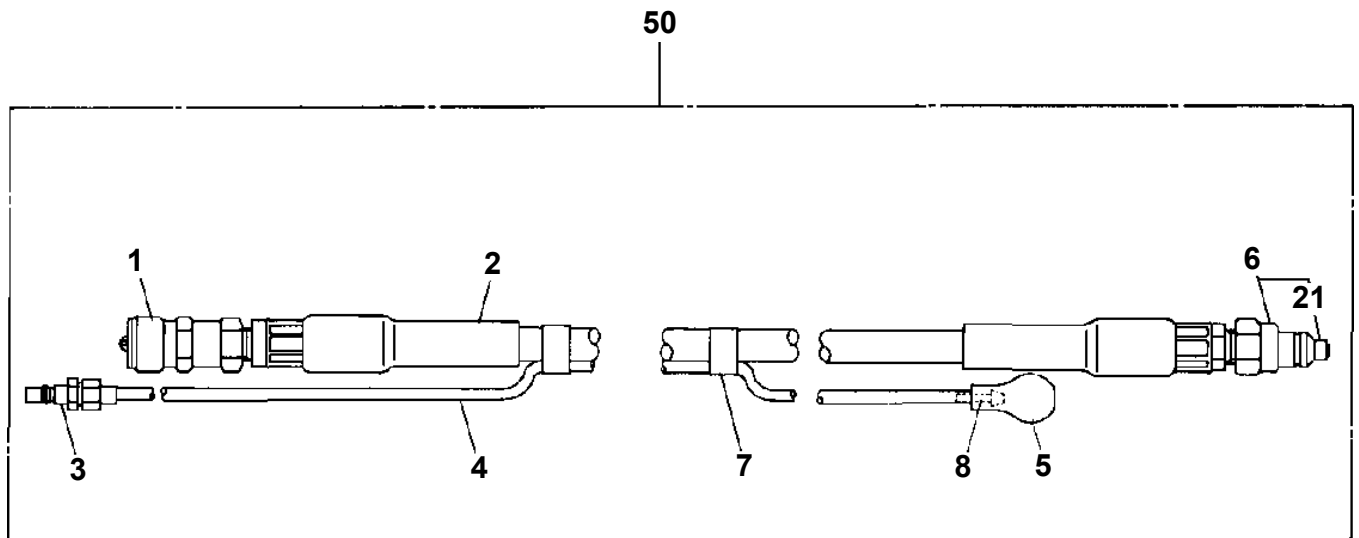
AT-141-1 42043100026 UPPER
PY1170016-01 BOOSTER (700KG/CM2)



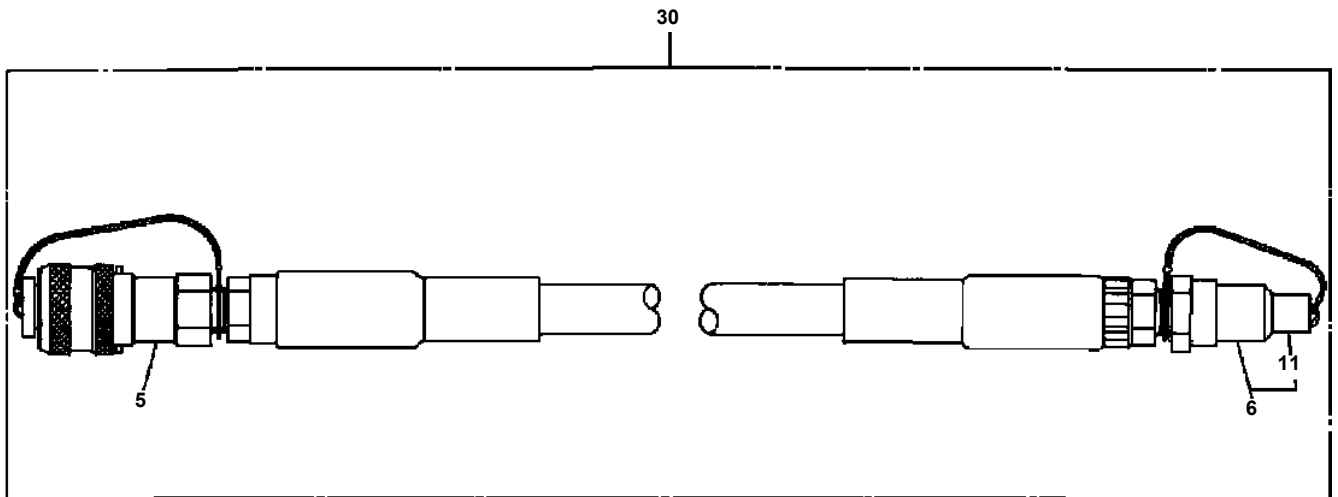
**AT-141-1 42043100026 UPPER
PY1500007-03 SELECTOR,BOOSTER (AIR.WITHOUT LIFT)**



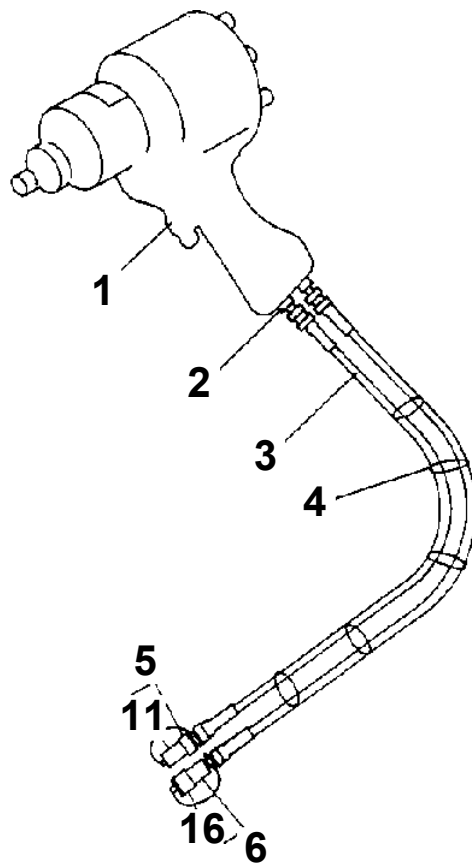
**AT-141-1 42043100026 UPPER
PY1590000-02 HOSE,BOOSTER (WITH AIR BALLOON)**



**AT-141-1 42043100026 UPPER
PY1590009-00 HOSE,BOOSTER (MALE-FEMALE,8M)**



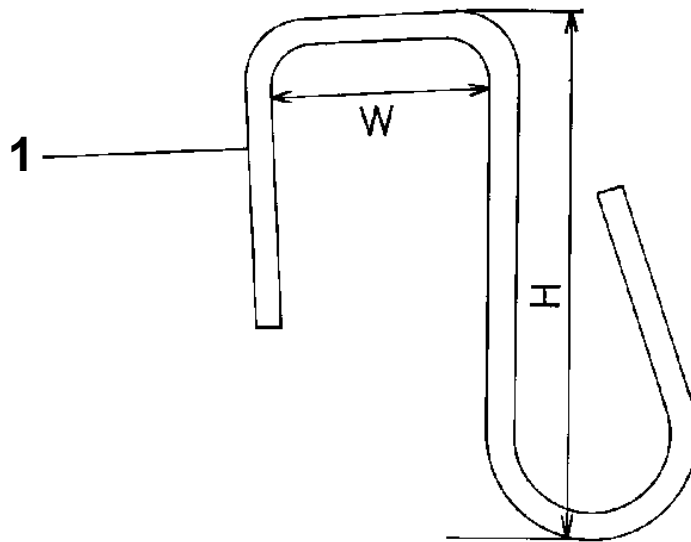
**AT-141-1 42043100026 UPPER
PY1680000-02 WRENCH,IMPACT (HYDRAULIC)**



**AT-141-1 42043100026 UPPER
PY1790001-00 HANGER (FOR BUCKET)**

Assembly Name HANGER

1117 0001 00



CLICK HERE TO **DOWNLOAD** THE COMPLETE MANUAL

- Thank you very much for reading the preview of the manual.
- You can download the complete manual from: www.heydownloads.com by clicking the link below



- Please note: If there is no response to CLICKING the link, please download this PDF first and then click on it.

CLICK HERE TO **DOWNLOAD** THE COMPLETE MANUAL