

AT-141-1 42043145900 LOWER,ISUZU KC-NKR66E2N5HXH

PB3000040-00 POWER UNIT
PO1000149-00 INDICATION PLATES
PX2000326-00 CARRIER UNIT
PX3000252-00 MOUNTING UNIT
PY1000863-00 OPTIONS
ASSEMBLY

CLICK HERE TO **DOWNLOAD** THE COMPLETE MANUAL

- Thank you very much for reading the preview of the manual.
- You can download the complete manual from: www.heydownloads.com by clicking the link below



- Please note: If there is no response to CLICKING the link, please download this PDF first and then click on it.

CLICK HERE TO **DOWNLOAD** THE COMPLETE MANUAL

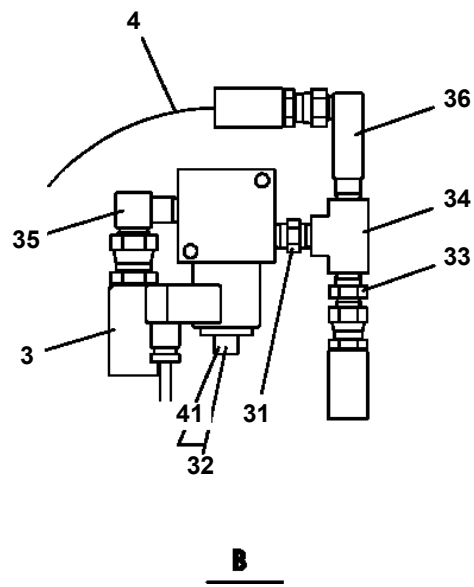
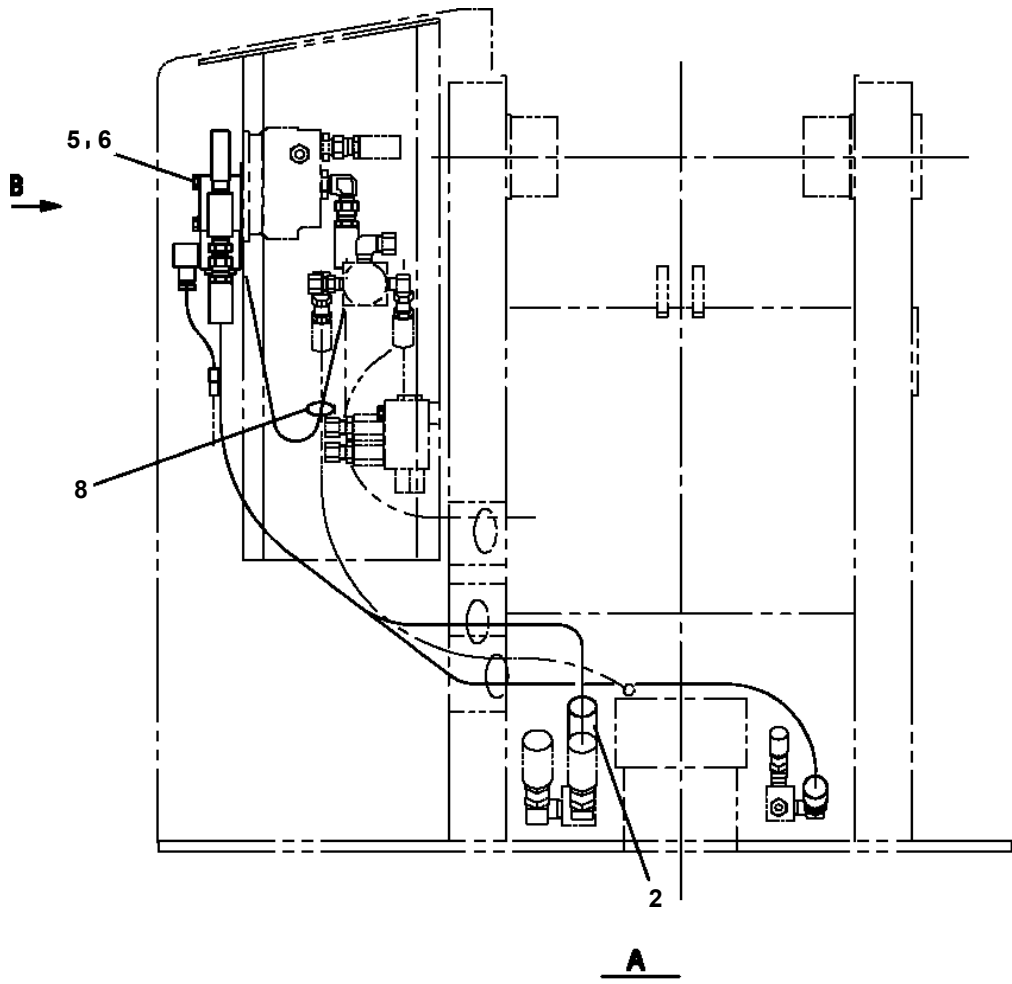
AT-141-1 42043145900 LOWER,ISUZU KC-NKR66E2N5HXH

Pos No.	Parts No	Parts Name	Qty	Unit	Technical Data	Serial No (Start)	Serial No (End)
1	(***** *****)	HOUR METER	1				
2	(***** *****)	POWER SUPPLY (24V/POWER SOURCE)	1				
3	(***** *****)	POWER SUPPLY (LOWER HYD.OUTLET/BOOS&13L)	1				
	(***** *****)	POWER SUPPLY (LOWER HYD.OUTLET/13L)	1				
4	(***** *****)	BOX,TOOL (BOOM LEFT SIDE)	1				
6	(***** *****)	BOOSTER	1				
7	(***** *****)	VIEW SYSTEM(BACK MONITOR/ISUZU NKR66E2N)	1				
8	(***** *****)	LAMP (BOOM)	1				
11	(***** *****)	LAMP (FLICKER)	1				

AT-141-1 42043145900 LOWER,ISUZU KC-NKR66E2N5HXH

Pos No.	Parts No	Parts Name	Qty	Unit	Technical Data	Serial No (Start)	Serial No (End)	Re
1	42733650010	HARNESS	1					
2	91810130240	FASTENER	10					
3	82100002004	CLAMP	3		WR8			
4	90201200600	NUT	3		M6			
5	90302040601	WASHER,SPRING	7		6			
6	42731731000	BOX ASSY (CONNECTOR)	2					
7	90101206016	BOLT	7		M6X16			
8	42733650020	SUPPORT	1					
9	42733650030	SUPPORT	1					
10	90101208016	BOLT	2		M8X16			
11	90302040801	WASHER,SPRING	2		8			
12	82420102413	TRIM	1	M				
13	42733650040	PLATE,NAME (POWER SOURCE)	2					
21	82100002399	CONNECTOR	2					
22	82100002129	PLATE	2					
23	80172304008	SCREW,MACHINE	4		M4X8			
24	90302040401	WASHER,SPRING	4		4			
25	42731731010	CASE	2					
26	42731731050	HARNESS	2					
27	42731731060	HARNESS	2					
28	82400000072	GROMMET	2					

**AT-141-1 42043145900 LOWER,ISUZU KC-NKR66E2N5HXH
PB1380041-00 POWER SUPPLY (LOWER HYD.OUTLET PIPING)**



AT-141-1 42043145900 LOWER,ISUZU KC-NKR66E2N5HXX

Pos No.	Parts No	Parts Name	Qty	Unit	Technical Data	Serial No (Start)	Serial No (End)	Remarks
1	42960061201	VIEW SYSTEM (MONITOR)	1					
2	37000561860	PLATE	1					
3	42960061500	HARNESS	1					
4	91810130240	FASTENER	10					
5	82401600506	CLAMP	5		D6.5			
6	82400000078	GROMMET	1					

AT-141-1 42043145900 LOWER,ISUZU KC-NKR66E2N5HXH

Pos No.	Parts No	Parts Name	Qty	Unit	Technical Data	Serial No (Start)	Serial No (End)	Remarks	Pages
100	42711650300	HARNESS	1						

AT-141-1 42043145900 LOWER,ISUZU KC-NKR66E2N5HXH

Pos No.	Parts No	Parts Name	Qty	Unit	Technical Data	Serial No (Start)	Serial No (End)	Remarks	Pages
1	42733682210	COVER	1						
2	42733682240	COVER	1						
3	90201200300	NUT	12		M3				
4	80172303008	SCREW,MACHINE	4		M3X8				
5	90302040301	WASHER,SPRING	12		3				
6	90303070301	WASHER,PLAIN	2		3				
7	82480001103	CATCH	1						
8	80176803008	SCREW,MACHINE	8		M3X8				
9	82464102700	HINGE	2						
100	42733682200	COVER ASSY	1						

AT-141-1 42043145900 LOWER,ISUZU KC-NKR66E2N5HXH

Pos No.	Parts No	Parts Name	Qty	Unit	Technical Data	Serial No (Start)	Serial No (End)	Remarks	Pac
1	42940280010	PLATE,NAME (3.25M)	1						

AT-141-1 42043145900 LOWER,ISUZU KC-NKR66E2N5HXX

Pos No.	Parts No	Parts Name	Qty	Unit	Technical Data	Serial No (Start)	Serial No (End)	Remarks	Pages
1	37000524530	PLATE	12						
2	42860250030	SUPPORT	2						
3	42860580030	SUPPORT	4						
4	42860490011	SPACER	2						

CLICK HERE TO **DOWNLOAD** THE COMPLETE MANUAL

- Thank you very much for reading the preview of the manual.
- You can download the complete manual from: www.heydownloads.com by clicking the link below



- Please note: If there is no response to CLICKING the link, please download this PDF first and then click on it.

CLICK HERE TO **DOWNLOAD** THE COMPLETE MANUAL

AT-141-1 42043145900 LOWER,ISUZU KC-NKR66E2N5HXH

Pos No.	Parts No	Parts Name	Qty	Unit	Technical Data	Serial No (Start)	Serial No (End)	Remarks	Pages
1	42810441000	SUPPORT	1						
2	90101212022	BOLT	4		M12X22				
3	90302041201	WASHER,SPRING	4		12				

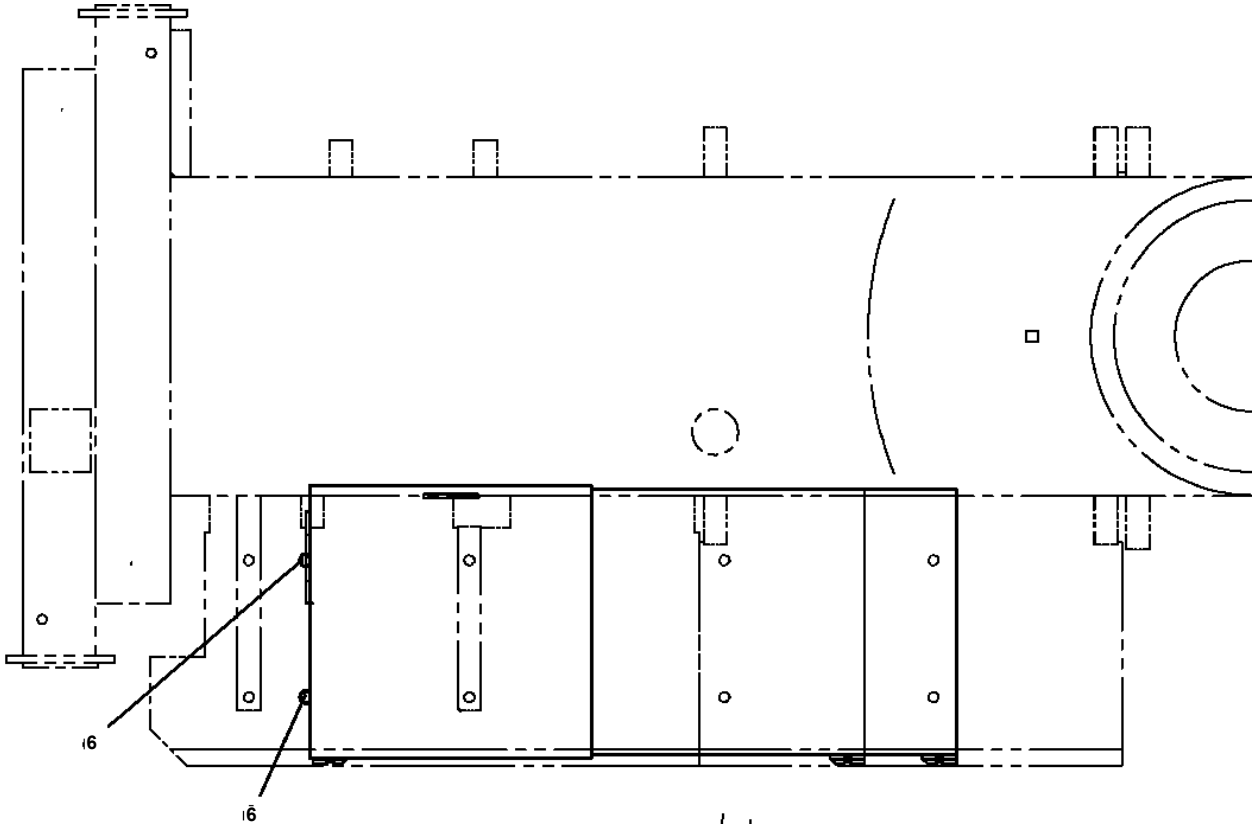
AT-141-1 42043145900 LOWER,ISUZU KC-NKR66E2N5HXH

Pos No.	Parts No	Parts Name	Qty	Unit	Technical Data	Serial No (Start)	Serial No (End)	Remarks	Pages
1	42830071000	GUARD	1						
2	37000504970	PLATE	8						
3	90101210012	BOLT	8		M10X12				
4	90302041001	WASHER,SPRING	8		10				

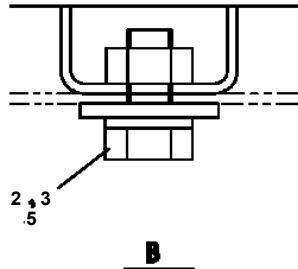
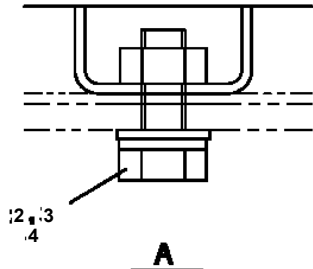
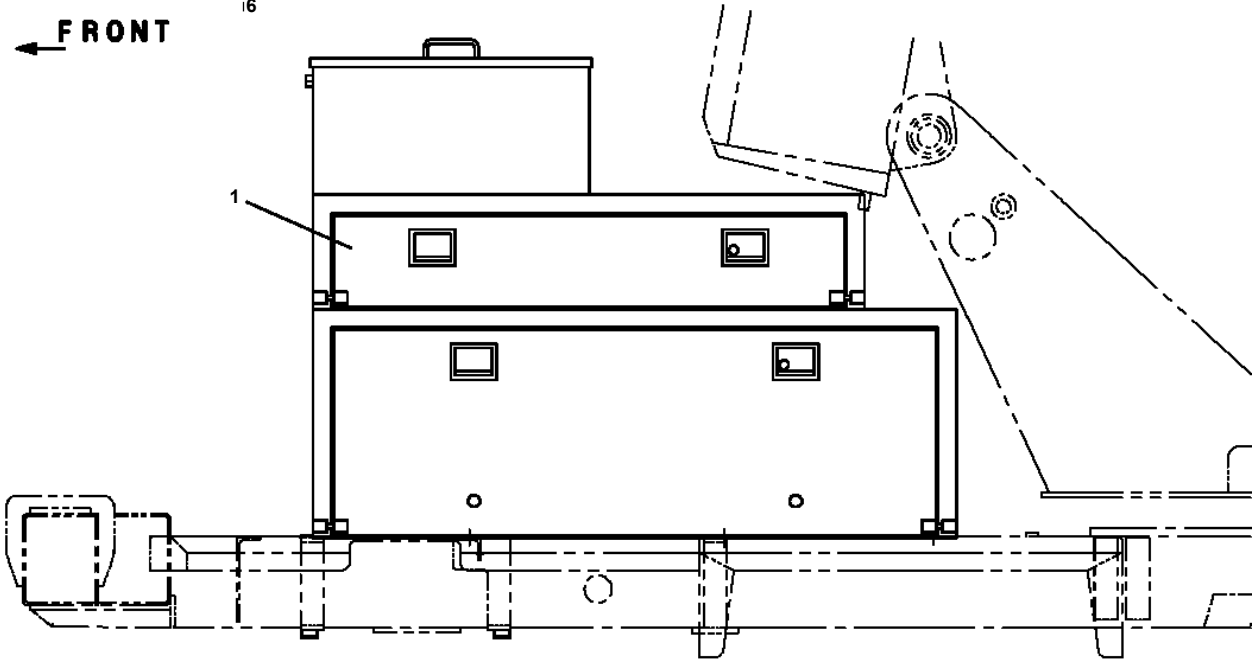
AT-141-1 42043145900 LOWER,ISUZU KC-NKR66E2N5HXH

Pos No.	Parts No	Parts Name	Qty	Unit	Technical Data	Serial No (Start)	Serial No (End)	Rem
1	37000505120	PLATE	3					
2	90101210020	BOLT	4		M10X20			
3	90302041001	WASHER,SPRING	4		10			
4	90303071001	WASHER,PLAIN	4		10			
5	42831401000	BOX,TOOL (BOOM,LEFT SIDE)	1					
6	12515253000	PLATE	1					

**AT-141-1 42043145900 LOWER,ISUZU KC-NKR66E2N5HXH
PX1350192-01 TOOL BOX INSTALLATION**



FRONT
←



AT-141-1 42043145900 LOWER,ISUZU KC-NKR66E2N5HXH

Pos No.	Parts No	Parts Name	Qty	Unit	Technical Data	Serial No (Start)	Serial No (End)
1	42831017510	DOOR ASSY (SET 1,15,17,25)	1				
15	82461015111	CATCH (WITH KEY)	2				
31	82461015112	CATCH (WITHOUT KEY)	1				
50	42831011000	BOX,TOOL (LEFT,WITH JIB SUPPORT)	1				

AT-141-1 42043145900 LOWER,ISUZU KC-NKR66E2N5HXH

Pos No.	Parts No	Parts Name	Qty	Unit	Technical Data	Serial No (Start)	Serial No (End)	Remarks	P
7	42833077570	HINGE SET	2						
8	42833077580	HINGE SET	2						
9	42833157580	PIN	4						
10	82461015111	CATCH (WITH KEY)	2						
11	82461015112	CATCH (WITHOUT KEY)	2						
12	82466115200	CATCH	1						
13	42832327590	STAY (WITH STOPPER)	1						
14	82464110007	HINGE	2						
16	80192435010	SCREW,MACHINE	12		M5X10				
17	80192435016	SCREW,MACHINE	16		M5X16				
18	80192484016	SCREW,MACHINE	5		M4X16				
19	80175805008	SCREW,MACHINE	8		M5X8				
20	80172805008	SCREW,MACHINE	4		M5X8				
21	80175803010	SCREW,MACHINE	5		M3X8				
100	42832321000	BOX,TOOL (LEFT)	1						

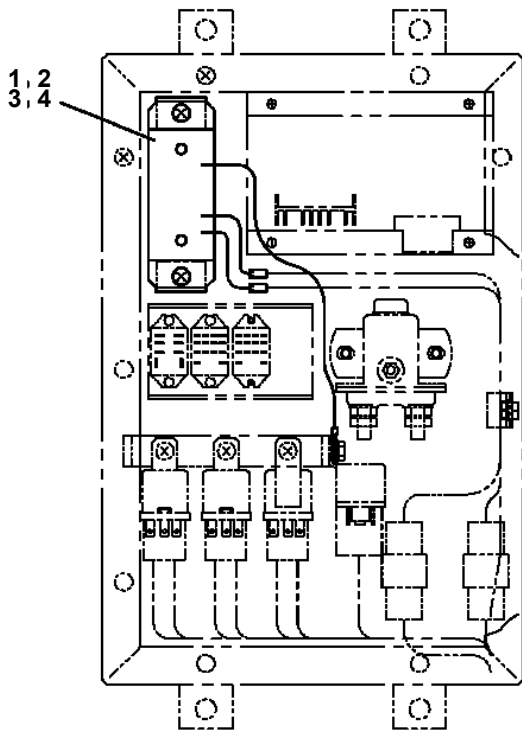
AT-141-1 42043145900 LOWER,ISUZU KC-NKR66E2N5HXH

Pos No.	Parts No	Parts Name	Qty	Unit	Technical Data	Serial No (Start)	Serial No (End)	Remarks	Pages
1	(*****)	BOX, TOOL (LEFT)	1						00005
2	(*****)	STEP INSTALLATION	1						00004

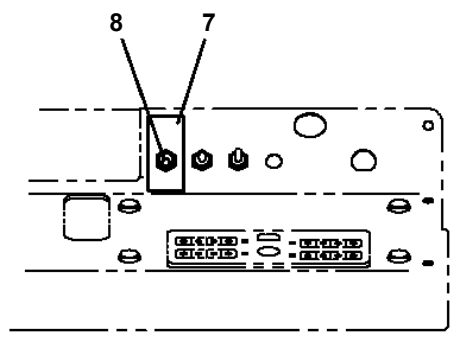
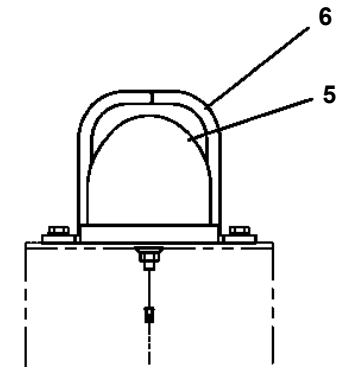
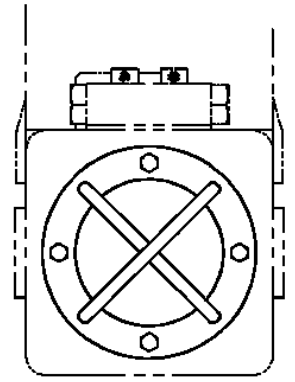
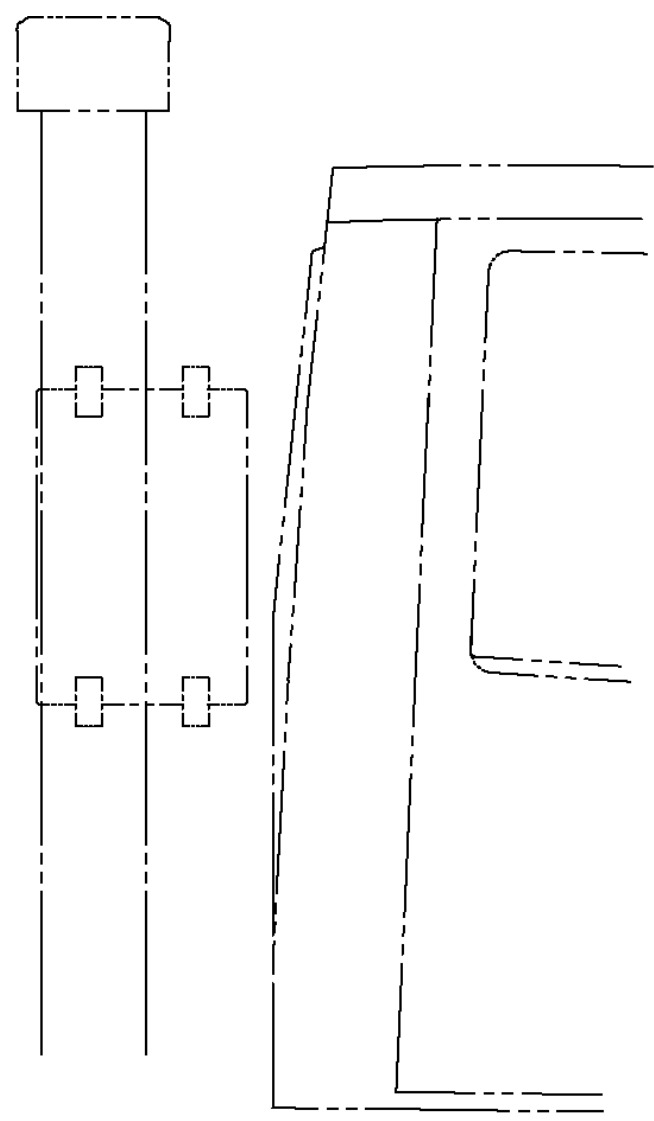
AT-141-1 42043145900 LOWER,ISUZU KC-NKR66E2N5HXH

Pos No.	Parts No	Parts Name	Qty	Unit	Technical Data	Serial No (Start)	Serial No (End)	Rema
1	42831257630	HEATER ASSY (DC)	1					
2	42831257640	HEATER ASSY (AC)	1					
3	42831257650	THERMOSTAT (WITH GUARD)	1					
4	42831257660	FAN ASSY (WITH GUARD)	1					
30	42831252100	HEATER	1					

AT-141-1 42043145900 LOWER, ISUZU KC-NKR66E2N5HXH
PY1180094-03 LAMP (FLICKER)



RELAY BOX



CLICK HERE TO **DOWNLOAD** THE COMPLETE MANUAL

- Thank you very much for reading the preview of the manual.
- You can download the complete manual from: www.heydownloads.com by clicking the link below



- Please note: If there is no response to CLICKING the link, please download this PDF first and then click on it.

CLICK HERE TO **DOWNLOAD** THE COMPLETE MANUAL