

AT-141-1 42043143100 LOWER,ISUZU NKR66E2N

PB300040-00 POWER UNIT

PO1000149-00 INDICATION PLATES

PX2001305-00 CARRIER UNIT

PX3000240-00 MOUNTING UNIT

PY1000890-00 OPTIONS

ASSEMBLY

CLICK HERE TO **DOWNLOAD** THE COMPLETE MANUAL

- Thank you very much for reading the preview of the manual.
- You can download the complete manual from: www.heydownloads.com by clicking the link below



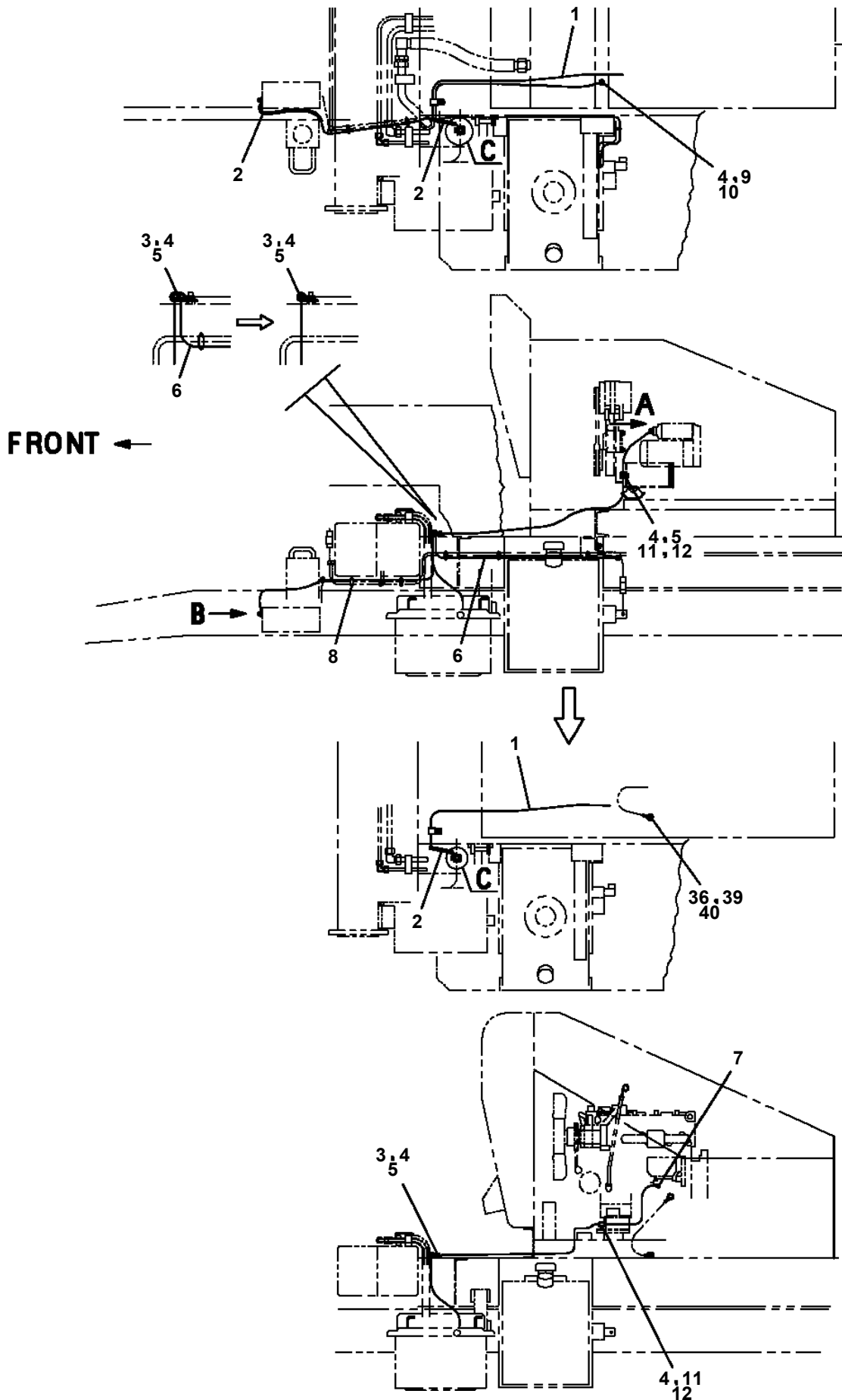
- Please note: If there is no response to CLICKING the link, please download this PDF first and then click on it.

CLICK HERE TO **DOWNLOAD** THE COMPLETE MANUAL

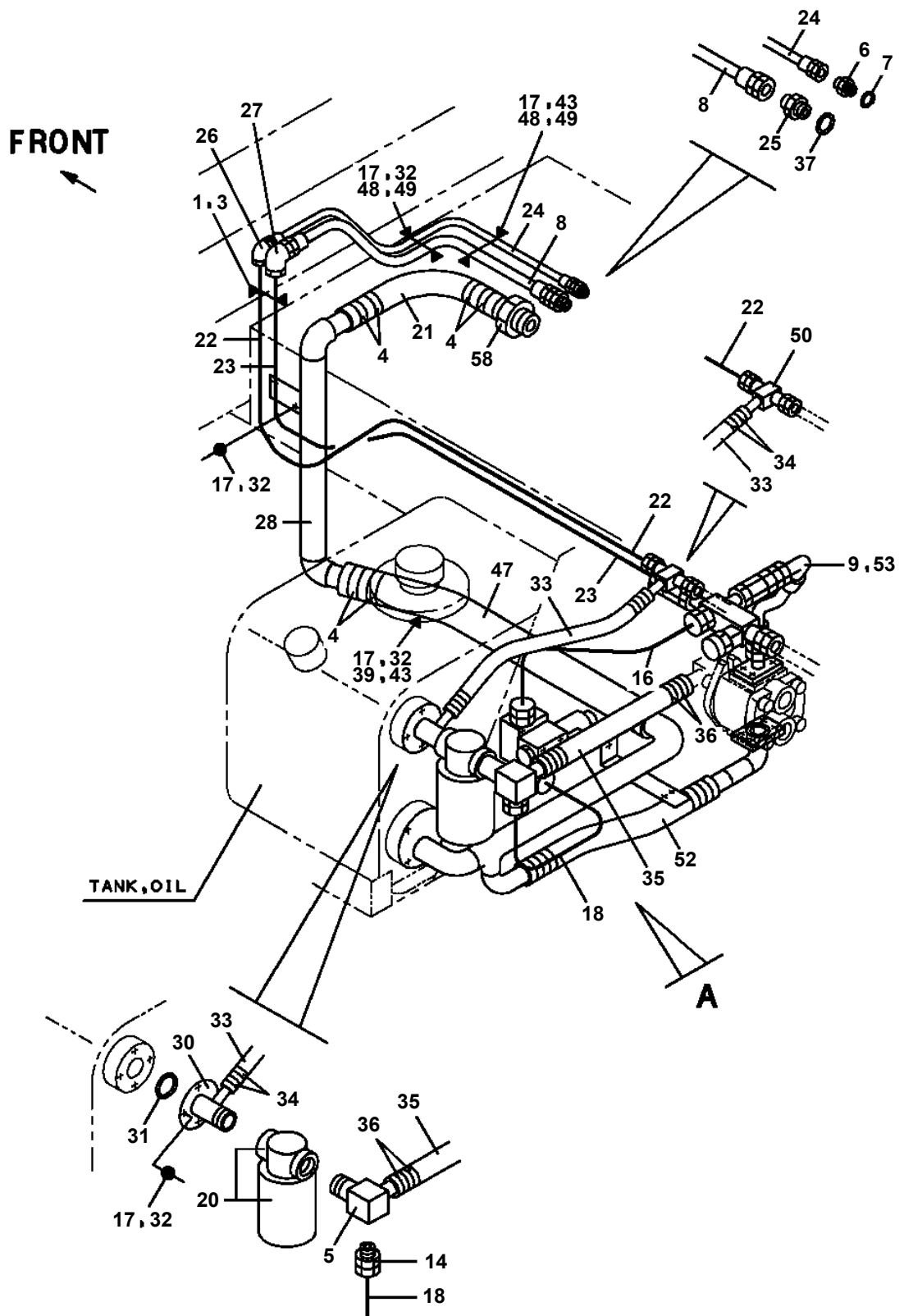
AT-141-1 42043143100 LOWER,ISUZU NKR66E2N

Pos No.	Parts No	Parts Name	Qty	Unit	Technical Data	Serial No (Start)	Serial No (End)	Remarks	Pages
1	(*****)	LAMP (FLICKER)	1						000041

AT-141-1 42043143100 LOWER,ISUZU NKR66E2N
PB1370017-04 POWER SUPPLY (WIRING)

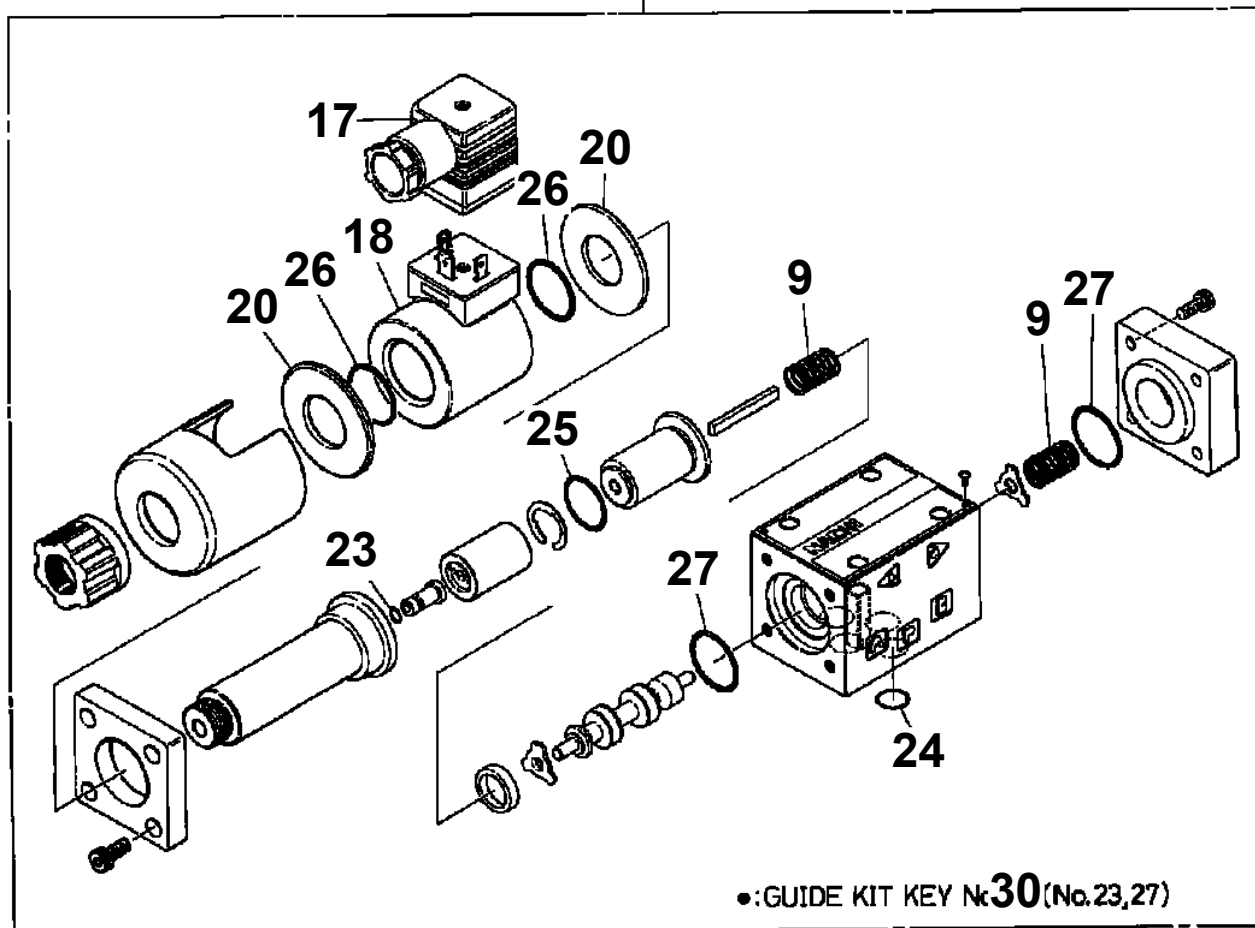


AT-141-1 42043143100 LOWER,ISUZU NKR66E2N
PB1410830-01 PIPING,HYDRAULIC LOWER

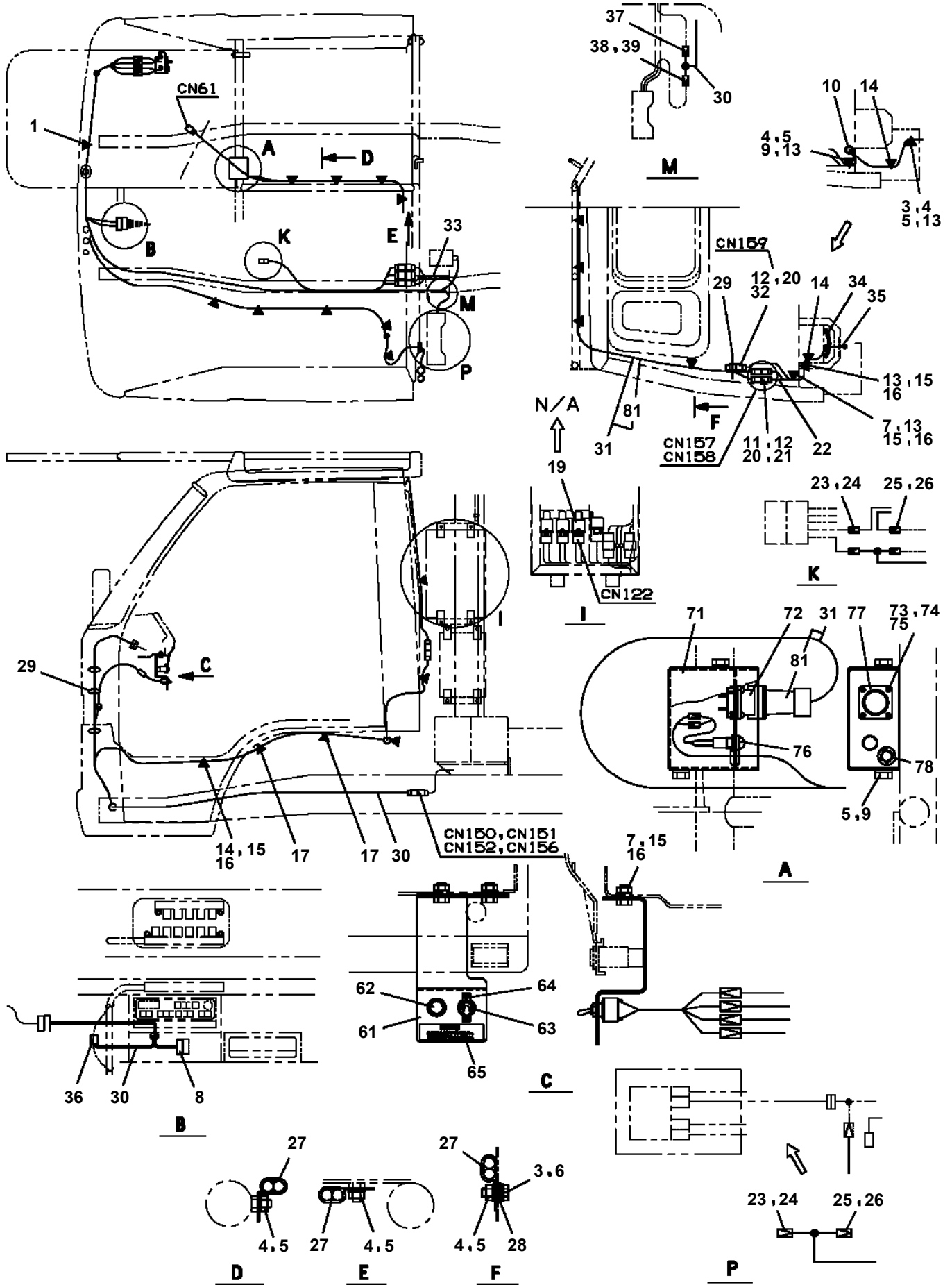


AT-141-1 42043143100 LOWER,ISUZU NKR66E2N
PI1120150-02 VALVE,SOLENOID

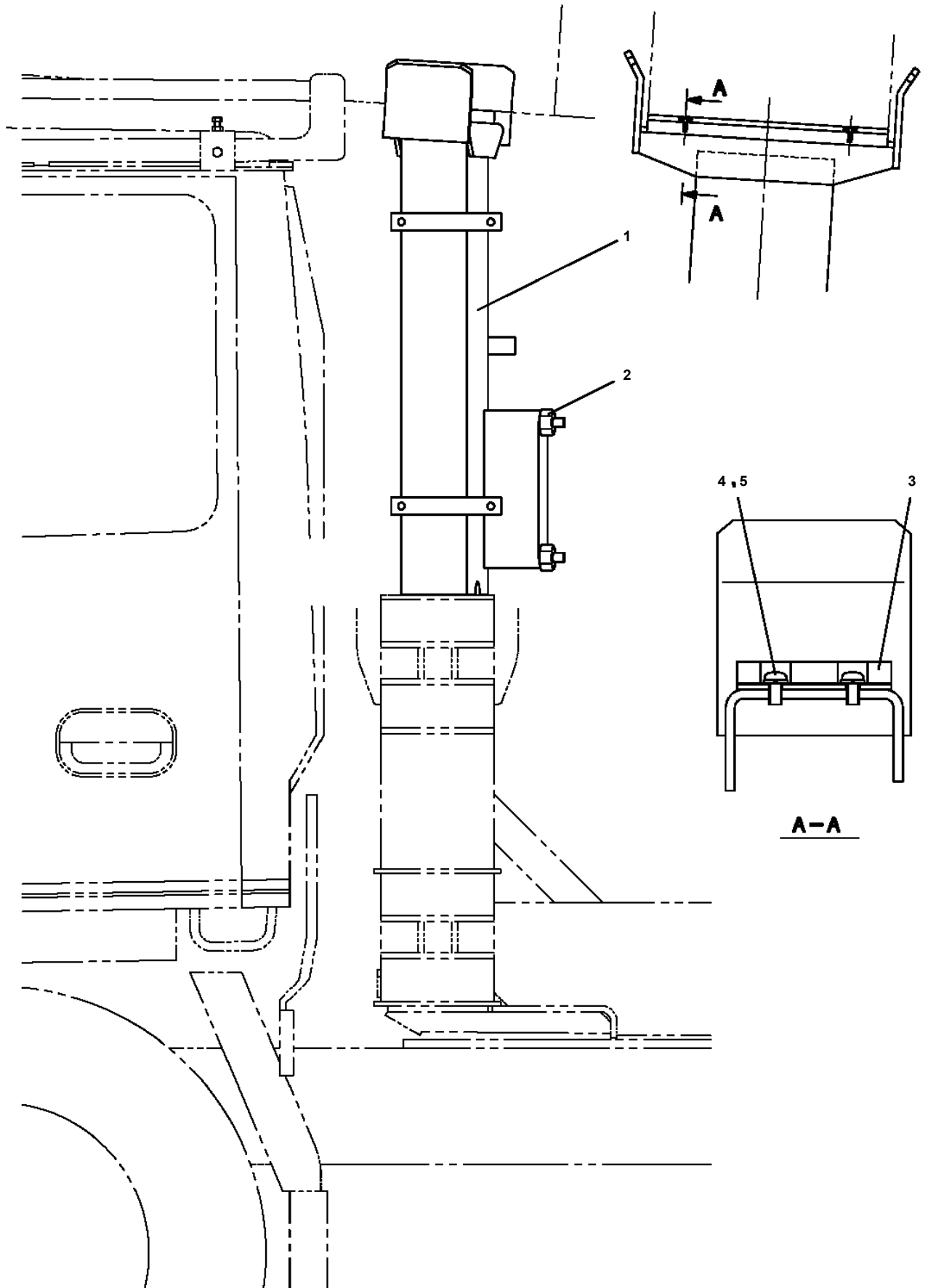
200



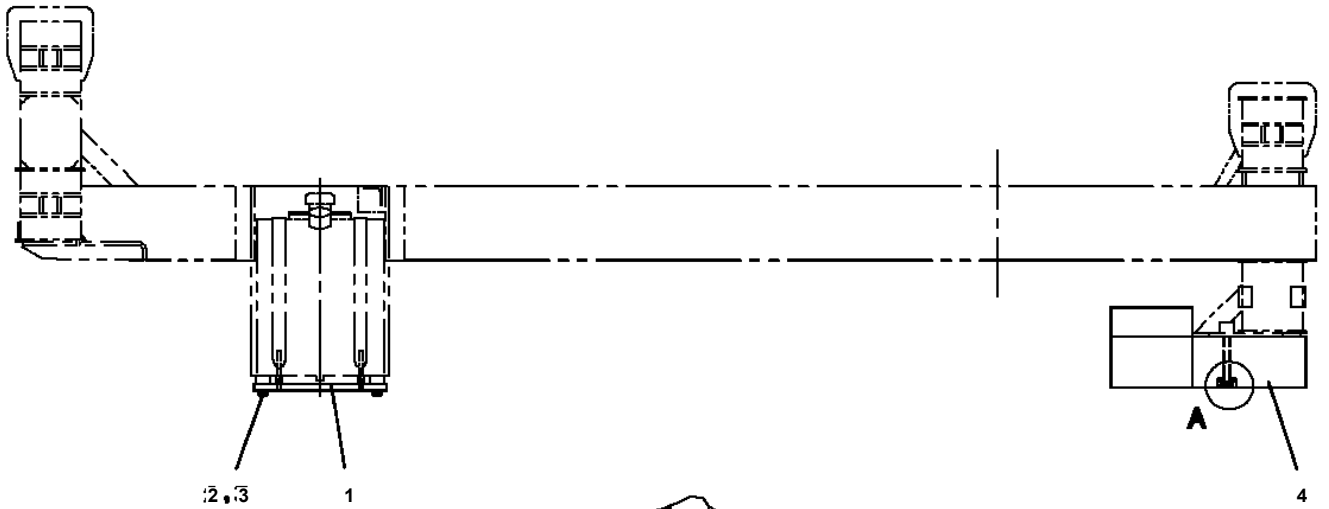
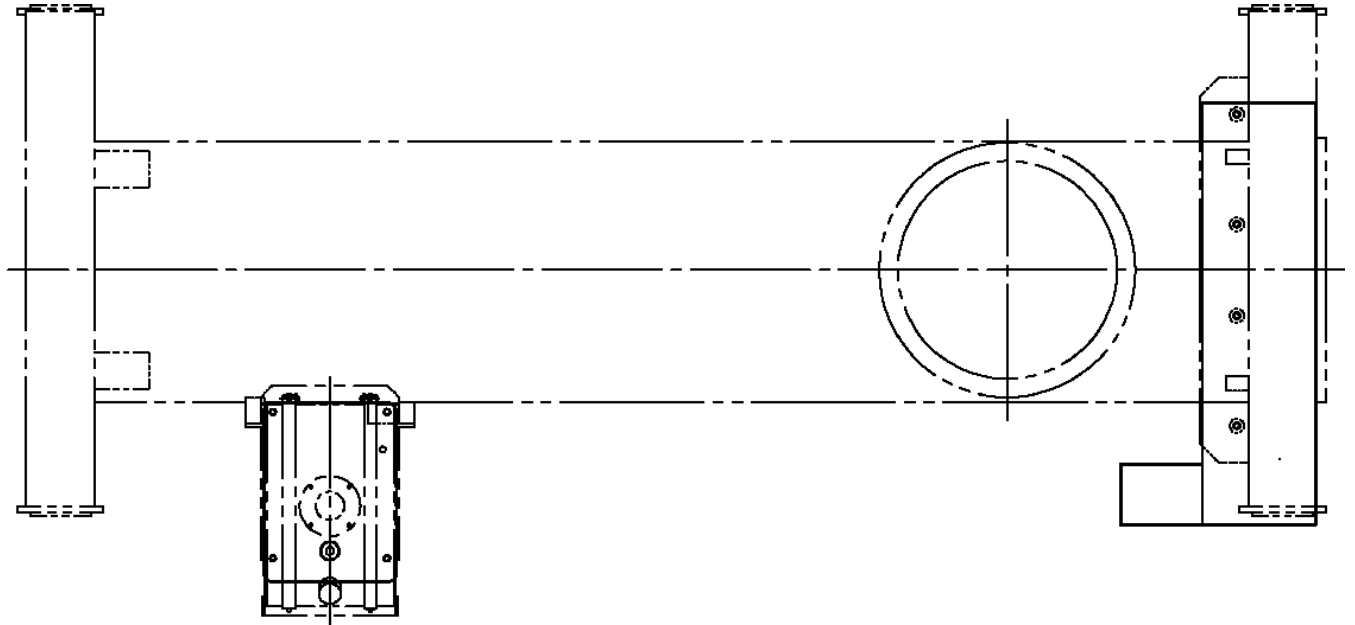
**AT-141-1 42043143100 LOWER,ISUZU NKR66E2N
PN1011560-01 ELECTRICAL ACCESSORIES**



**AT-141-1 42043143100 LOWER,ISUZU NKR66E2N
PX1120254-00 BOOM REST INSTALLATION**



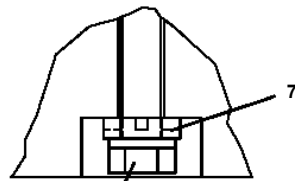
**AT-141-1 42043143100 LOWER,ISUZU NKR66E2N
PX1290206-00 WEIGHT INSTALLATION**



2,3 1

A

4



5,6

A

AT-141-1 42043143100 LOWER,ISUZU NKR66E2N

Pos No.	Parts No	Parts Name	Qty	Unit	Technical Data	Serial No (Start)	Serial No (End)	Remarks	P
11	82460015181	CATCH (WITH KEY)	2						
12	82460015182	CATCH (WITHOUT KEY)	1						
30	42831737510	CATCH	2						
100	42831732001	BOX,TOOL(LEFT)	1						

CLICK HERE TO **DOWNLOAD** THE COMPLETE MANUAL

- Thank you very much for reading the preview of the manual.
- You can download the complete manual from: www.heydownloads.com by clicking the link below



- Please note: If there is no response to CLICKING the link, please download this PDF first and then click on it.

CLICK HERE TO **DOWNLOAD** THE COMPLETE MANUAL