

AT-121-3 43007341702 UPPER,LOWER,ISUZU TPG-NKR85AN-EE5AHY-JD

PB0000275-02 UPPER STRUCTURE SYSTEM

PB0000500-02 LOWER STRUCTURE SYSTEM

ASSEMBLY

CLICK HERE TO **DOWNLOAD** THE COMPLETE MANUAL

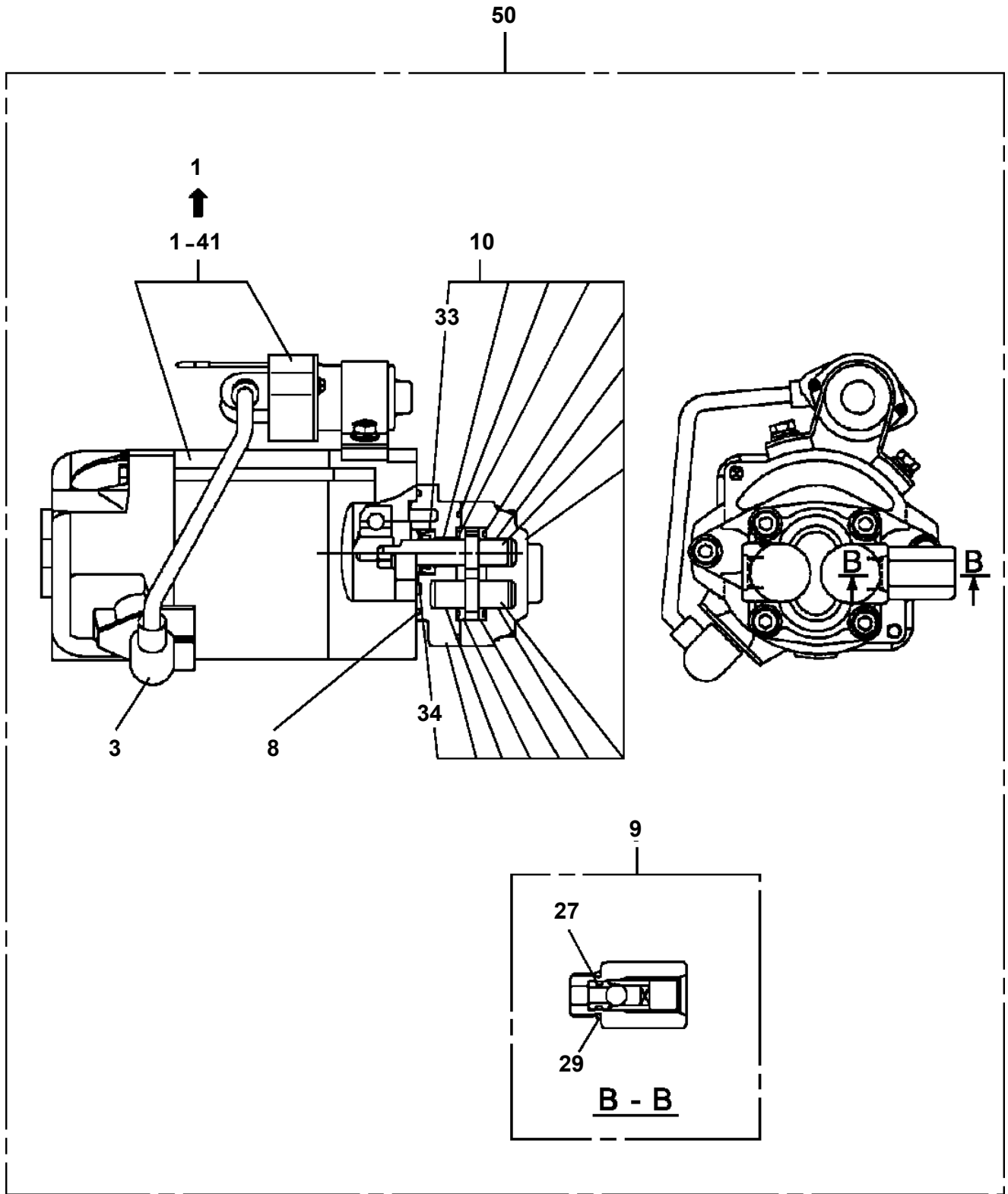
- Thank you very much for reading the preview of the manual.
- You can download the complete manual from: www.heydownloads.com by clicking the link below



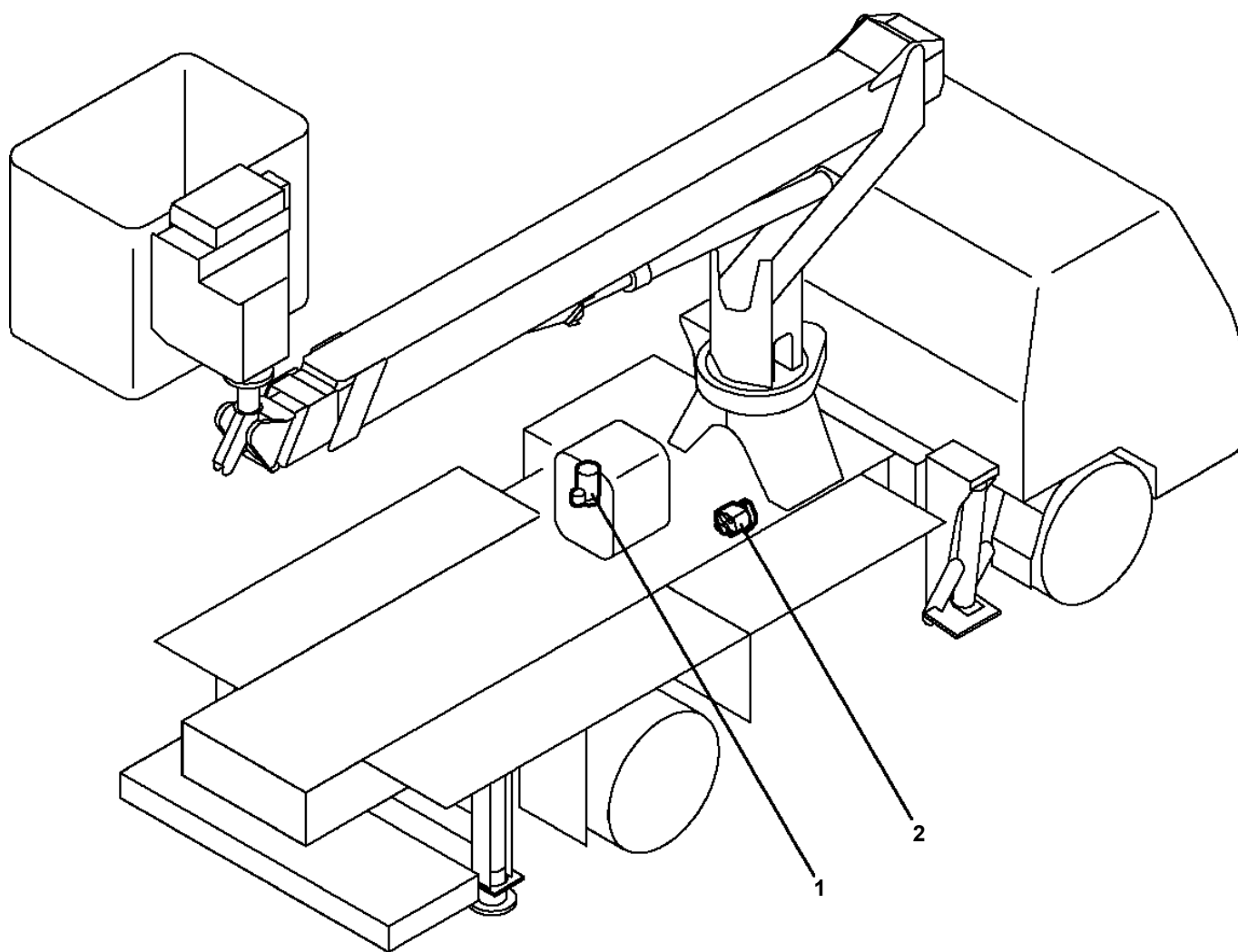
- Please note: If there is no response to CLICKING the link, please download this PDF first and then click on it.

CLICK HERE TO **DOWNLOAD** THE COMPLETE MANUAL

AT-121-3 43007341702 UPPER,LOWER,ISUZU TPG-NKR85AN-EE5AHY-JD
PB1100101-02 PUMP,HYDRAULIC (EMERGENCY)



**AT-121-3 43007341702 UPPER,LOWER,ISUZU TPG-NKR85AN-EE5AHY-JD
PB3000305-00 POWER UNIT**



AT-121-3 43007341702 UPPER,LOWER,ISUZU TPG-NKR85AN-EE5AHY-JD

Pos No.	Parts No	Parts Name	Qty	Unit	Technical Data	Serial No (Start)	Serial No (End)	Remarks	Pages
1	82119417515	CONNECTOR	1						
2	42654790310	HARNESS	1				HJ4382		000070
	42654790311	HARNESS	1			HJ4383			000072
3	42474472100	BOX	1						
4	82100002006	CLAMP	1		WR10				
5	90101206014	BOLT	1		M6X14				
6	90201200600	NUT	1		M6				
7	90302040601	WASHER,SPRING	1		6				
8	90303070601	WASHER,PLAIN	1		6				
50	42654790300	BOX ASSY	1						

AT-121-3 43007341702 UPPER,LOWER,ISUZU TPG-NKR85AN-EE5AHY-JD

Pos No.	Parts No	Parts Name	Qty	Unit	Technical Data	Serial No (Start)	Serial No (End)	Remarks	Pages
1	36035840100	CYLINDER	1						
2	36035740200	ROD	1						
3	36035290300	PISTON	1						
4	91684007501	PACKING	2						
5	91431206201	RING,BACKUP	2						
6	91002903000	O-RING	1		1B G30				
7	91332207500	BEARING,PLAIN	2						
8	90202203000	NUT	1		M30				
9	80612110680	RING,RITAINING	1		AR68				
10	80801006030	BEARING,PLAIN	1						
11	36034979510	COVER,ROD	1						
12	91694006000	PACKING	1						
13	91410206002	RING,BACKUP	1						
14	91002908000	O-RING	1		1B G80				
15	91660006001	SEAL,DUST	1						
16	91002907500	O-RING	1		1B G75				
17	90303073001	WASHER,PLAIN	1		30				
18	90302043001	WASHER,SPRING	1		30				
41	36035299900	PACKING SET	1		60X75				
100	36035840000	CYLINDER,JACK	1						

AT-121-3 43007341702 UPPER,LOWER,ISUZU TPG-NKR85AN-EE5AHY-JD

Pos No.	Parts No	Parts Name	Qty	Unit	Technical Data	Serial No (Start)	Serial No (End)	Remarks	Pages
1	42507970100	COVER	2						
2	37001510870	BOLT	4		M8X18				

AT-121-3 43007341702 UPPER,LOWER,ISUZU TPG-NKR85AN-EE5AHY-JD

Pos No.	Parts No	Parts Name	Qty	Unit	Technical Data	Serial No (Start)	Serial No (End)	Remarks	P
1	90730008120	SCREW,SET	1		M8X12				
2	91684007501	PACKING	2						
3	91431206201	RING,BACKUP	2						
4	91002903500	O-RING	1		1B G35				
5	36035920300	PISTON	1						
6	36036732001	ROD	1						
7	91332207500	BEARING,PLAIN	2						
8	36036821001	CYLINDER	1						
9	91002907000	O-RING	1		1B G70				
10	91694006000	PACKING	1						
11	91430206002	RING,BACKUP	1						
12	36036739511	COVER,ROD	1						
13	91660006000	SEAL,DUST	1						
14	91002907500	O-RING	1		1B G75				
15	80612110680	RING,RITAINING	1		AR68				
16	80801006060	BEARING,PLAIN	1						
18	80622000600	RING,RITAINING	1		SP60				
51	36036739901	PACKING SET	1		60X75				
100	36036820001	CYLINDER ASSY,JACK	1						

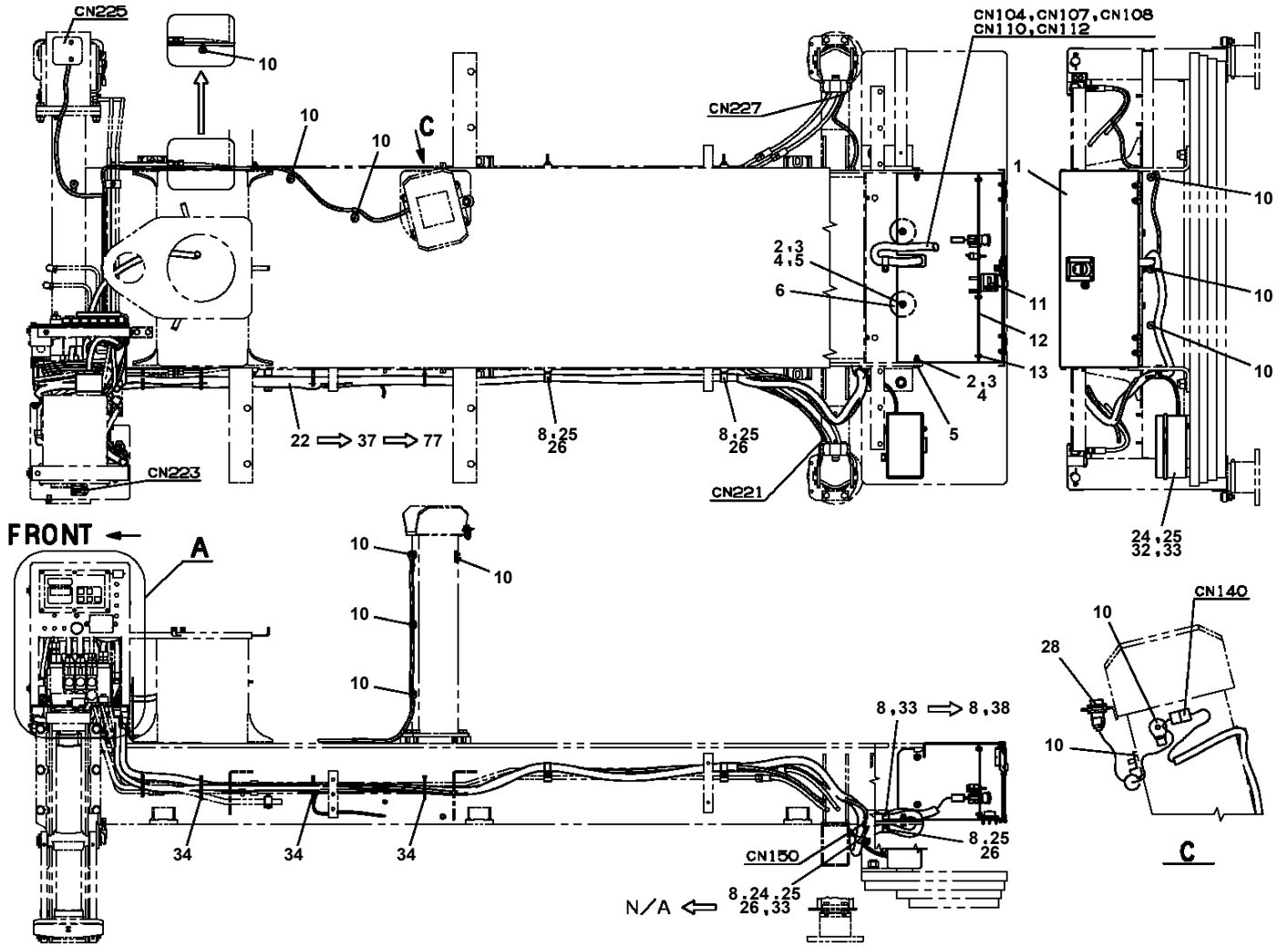
AT-121-3 43007341702 UPPER,LOWER,ISUZU TPG-NKR85AN-EE5AHY-JD

Pos No.	Parts No	Parts Name	Qty	Unit	Technical Data	Serial No (Start)	Serial No (End)
1	(*****)	SWING FRAME ASSY	1				
2	(*****)	REDUCER,SWING SPEED (MOUNT)	1				
3	(*****)	DERRICK ASSY	1				
4	(*****)	PIPING ASSY,SWING FRAME	1				
5	(*****)	ELEC.ASSY,SWING FRAME	1				
6	(*****)	MOUNT ASSY,SWIVEL JOINT	1				
11	36028370000	CYLINDER ASSY,LEVELING (LOWER)	1				

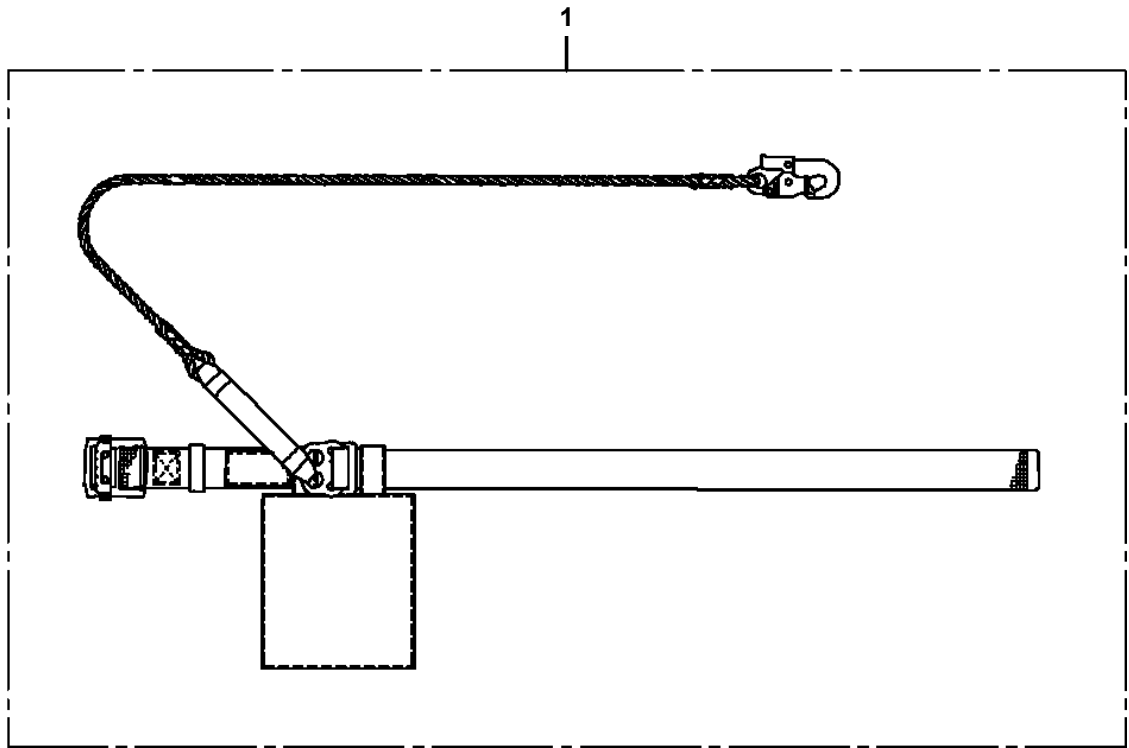
AT-121-3 43007341702 UPPER,LOWER,ISUZU TPG-NKR85AN-EE5AHY-JD

Pos No.	Parts No	Parts Name	Qty	Unit	Technical Data	Serial No (Start)	Serial N
1	42614770010	PLATE	2				
2	42614770300	SUPPORT	2				
3	90750005081	SCREW,SET	2		M5X8		
4	90302040601	WASHER,SPRING	8		6		
5	90101206010	BOLT	4		M6X1.0		
7	90155306015	BOLT,WELD	4		M6X15		
8	82100002006	CLAMP	4		WR10		
9	82100002010	CLAMP	1		WR15		
10	42654640200	HARNES (FRONT JACK EXTEND/STOWING)	1				
11	90201200600	NUT	4		M6		
12	91810132530	FASTENER	10				
31	42614770020	PLATE	2				
32	82187400010	DETECTOR ASSY,ANGLE	2				
33	90302040401	WASHER,SPRING	4		4		
34	80172304010	SCREW,MACHINE	4		M4X10		
35	42614770400	SUPPORT	2				
36	90302040801	WASHER,SPRING	4		8		
37	90101208016	BOLT	4		M8X16		
38	82100002006	CLAMP	2		WR10		
39	90101206012	BOLT	6		M6X12		
40	42614770600	COVER	2				
41	90303070401	WASHER,PLAIN	4		4		
42	90302040601	WASHER,SPRING	6		6		

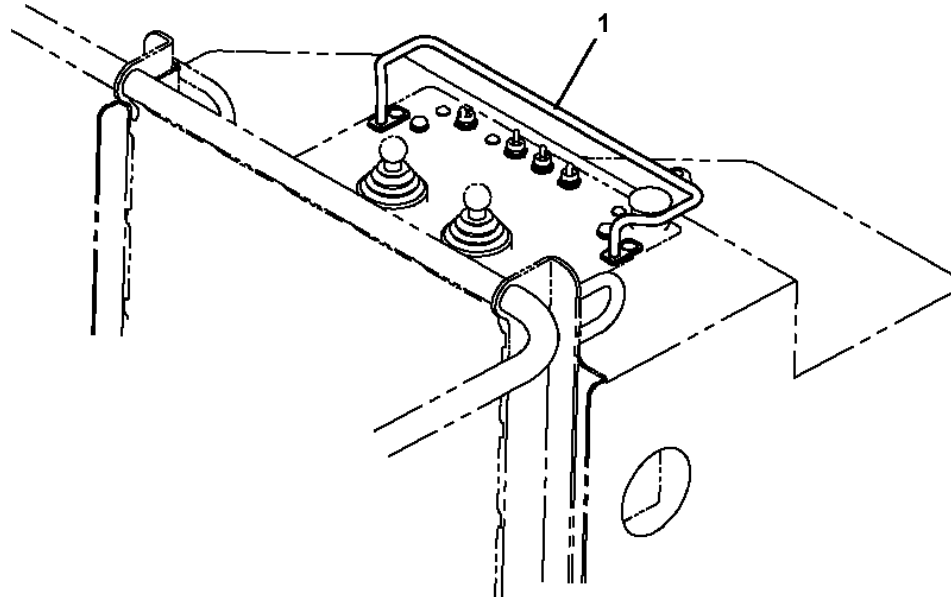
**AT-121-3 43007341702 UPPER,LOWER,ISUZU TPG-NKR85AN-EE5AHY-JD
PE5110022-04 ELEC.ASSY,FRAME**



AT-121-3 43007341702 UPPER,LOWER,ISUZU TPG-NKR85AN-EE5AHY-JD
PF5190001-00 FALL ARREST SYSTEM (TB-LSA-550/FUJII-DENKO)

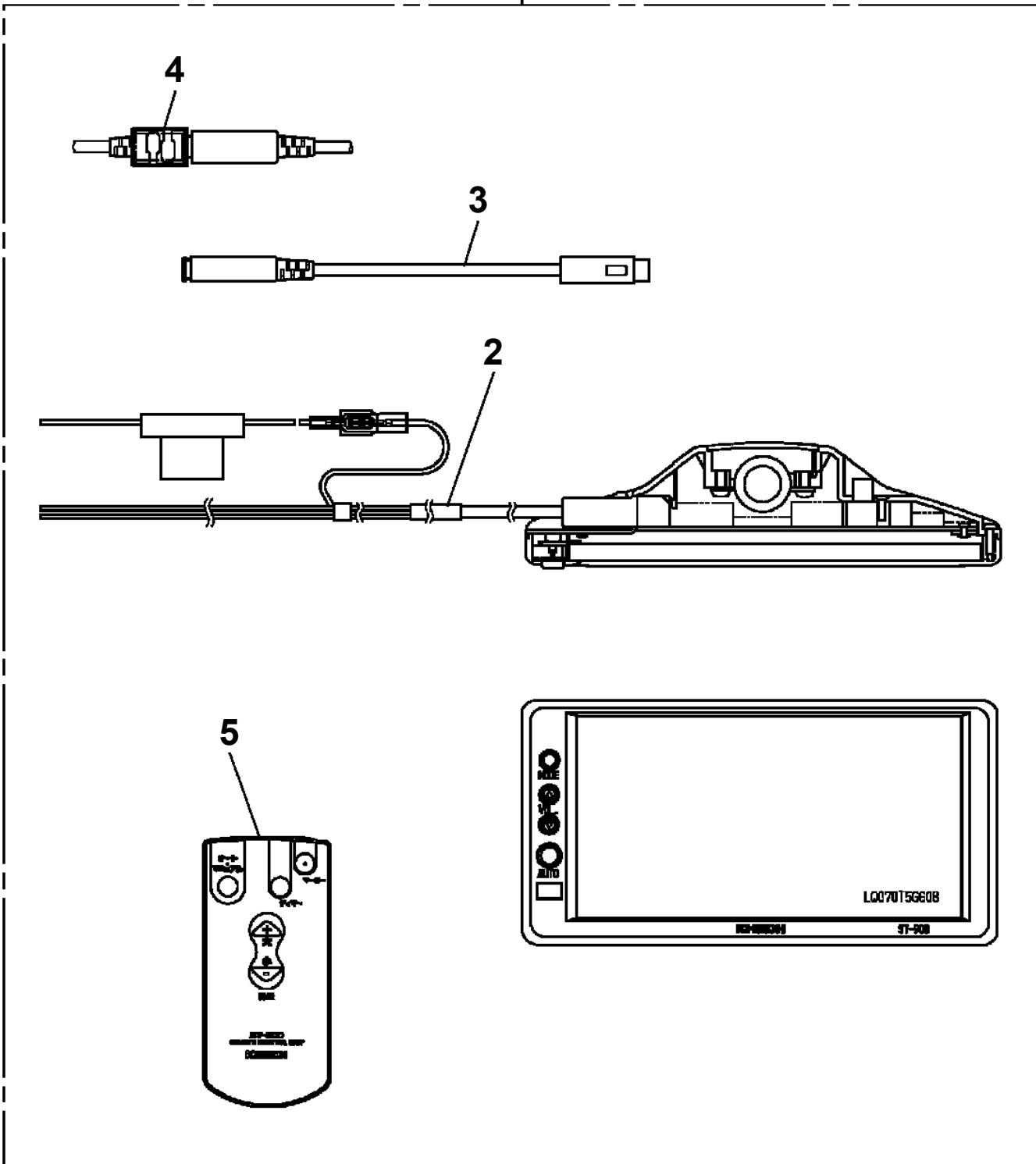


AT-121-3 43007341702 UPPER,LOWER,ISUZU TPG-NKR85AN-EE5AHY-JD
PG5200017-00 GUARD ASSY (BUCKET CONTROL SWITCH)

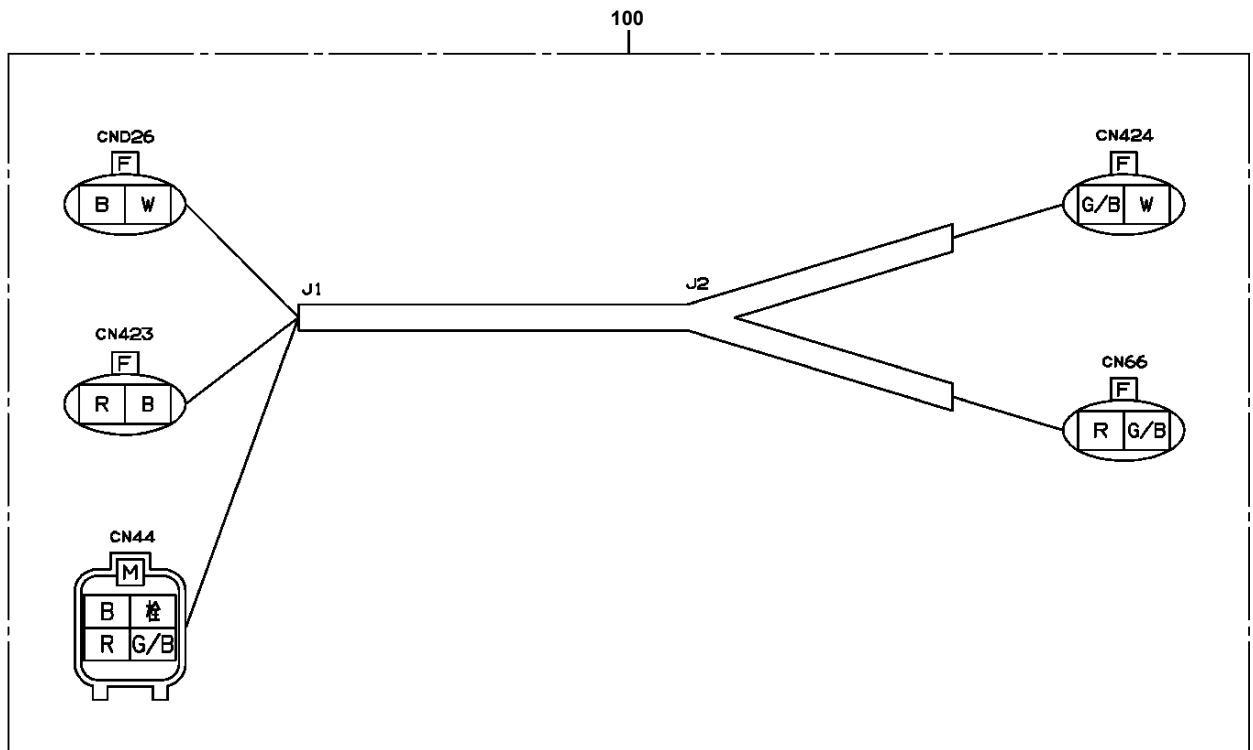


AT-121-3 43007341702 UPPER,LOWER,ISUZU TPG-NKR85AN-EE5AHY-JD
PH1710015-00 DISPLAY

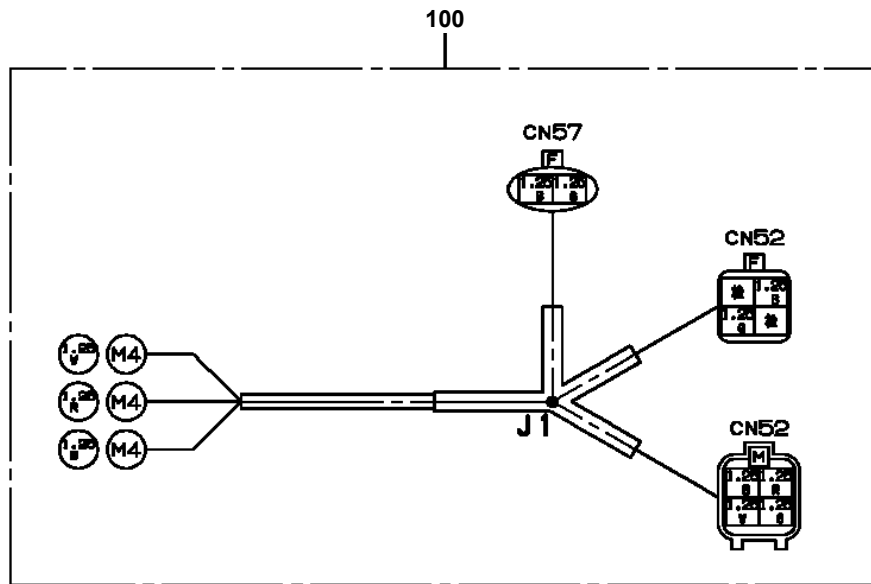
100



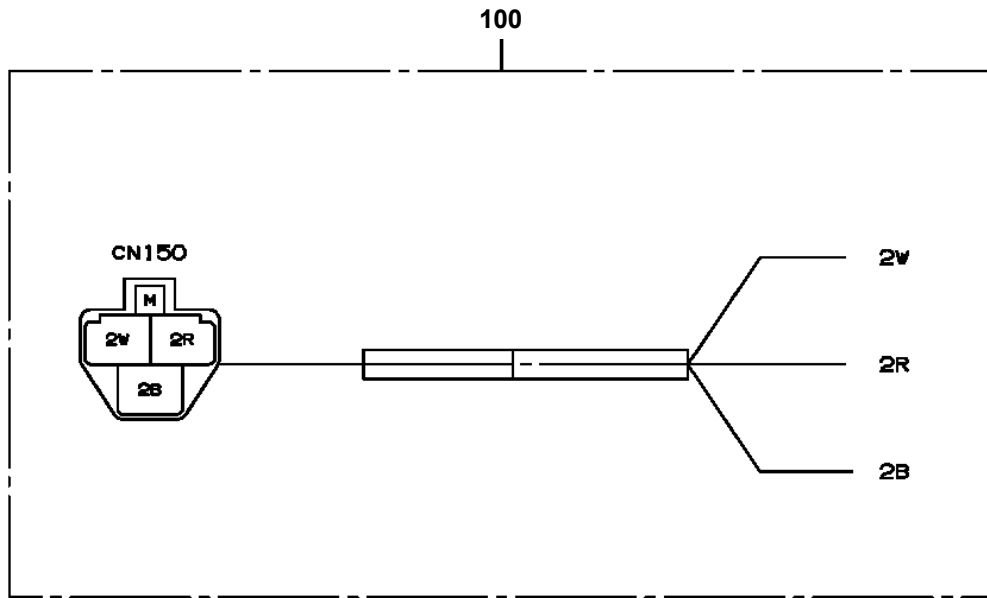
AT-121-3 43007341702 UPPER,LOWER,ISUZU TPG-NKR85AN-EE5AHY-JD
PH5030828-00 HARNESS



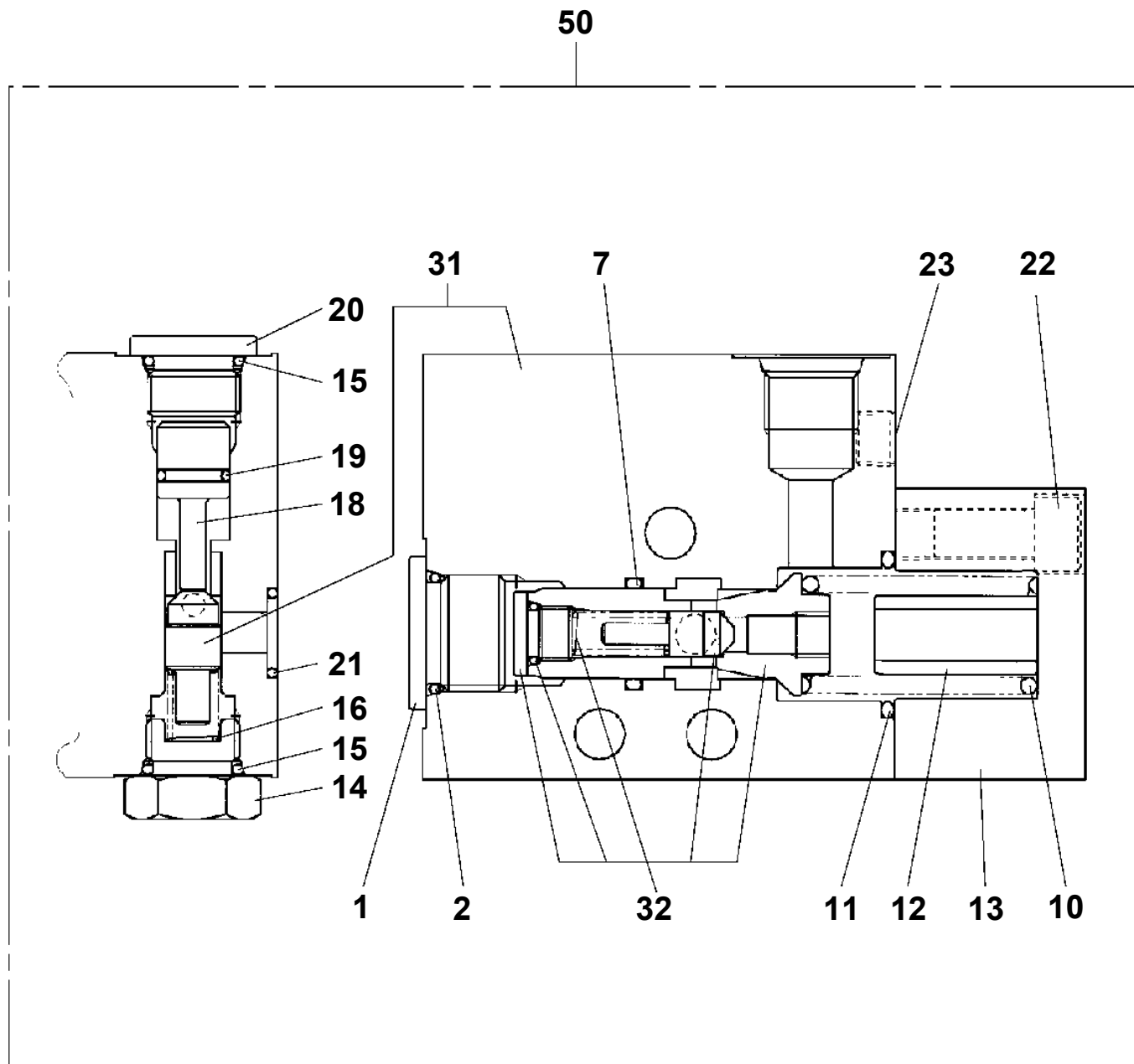
AT-121-3 43007341702 UPPER,LOWER,ISUZU TPG-NKR85AN-EE5AHY-JD
PH5032117-00 HARNESS



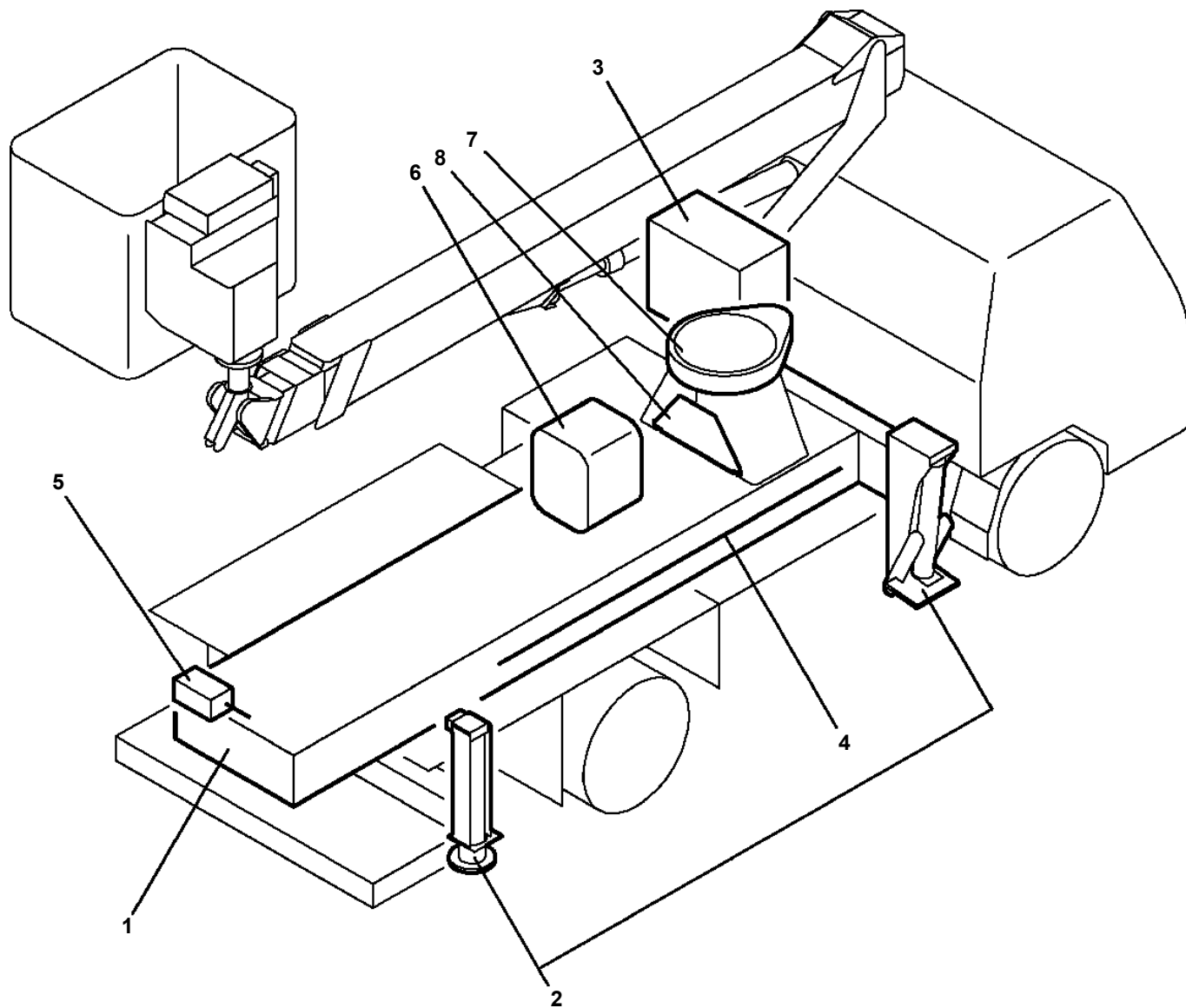
**AT-121-3 43007341702 UPPER,LOWER,ISUZU TPG-NKR85AN-EE5AHY-JD
PH5033686-00 HARNESS**



AT-121-3 43007341702 UPPER,LOWER,ISUZU TPG-NKR85AN-EE5AHY-JD
PI1250137-00 VALVE,COUNTERBALANCE



**AT-121-3 43007341702 UPPER,LOWER,ISUZU TPG-NKR85AN-EE5AHY-JD
PK2001479-01 FRAME UNIT**



適用製造番号によっては取り付けがないものもあります。

MACHINES OF SOME SERIAL NO. ARE NOT EQUIPPED WITH THESE PARTS.

CLICK HERE TO **DOWNLOAD** THE COMPLETE MANUAL

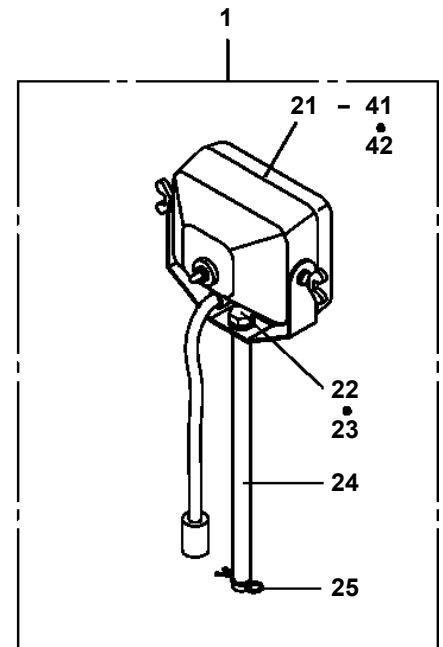
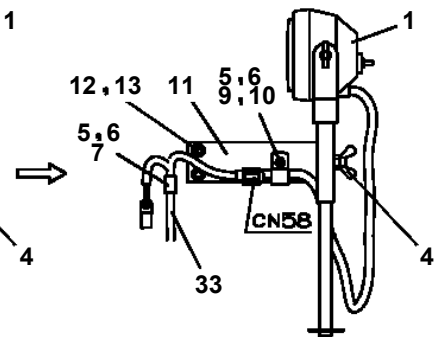
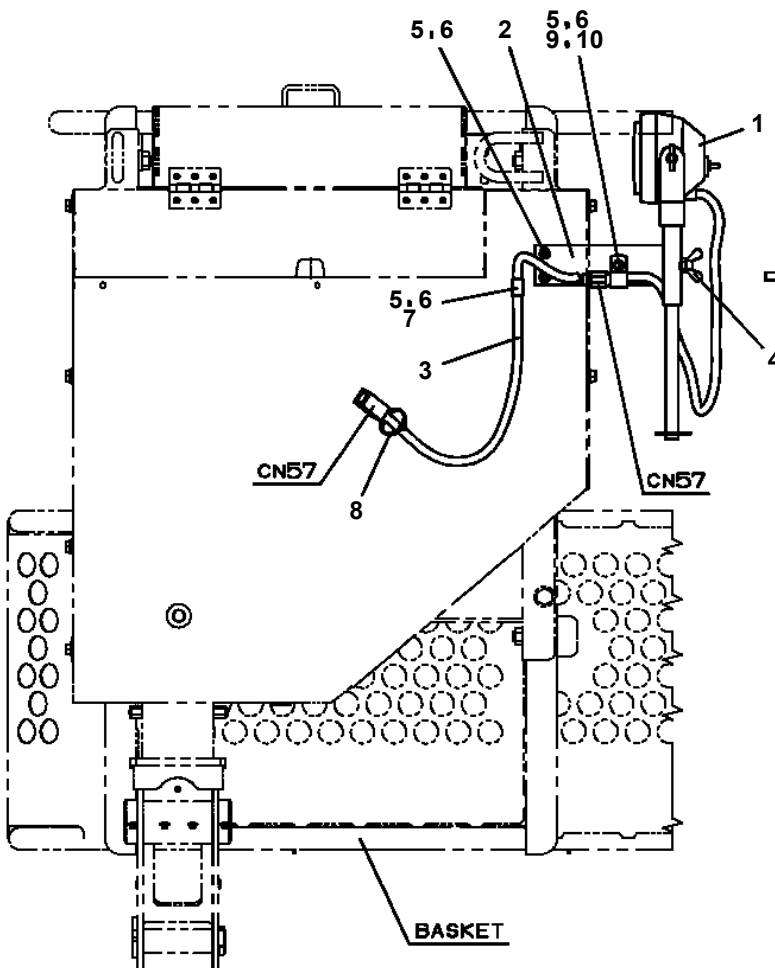
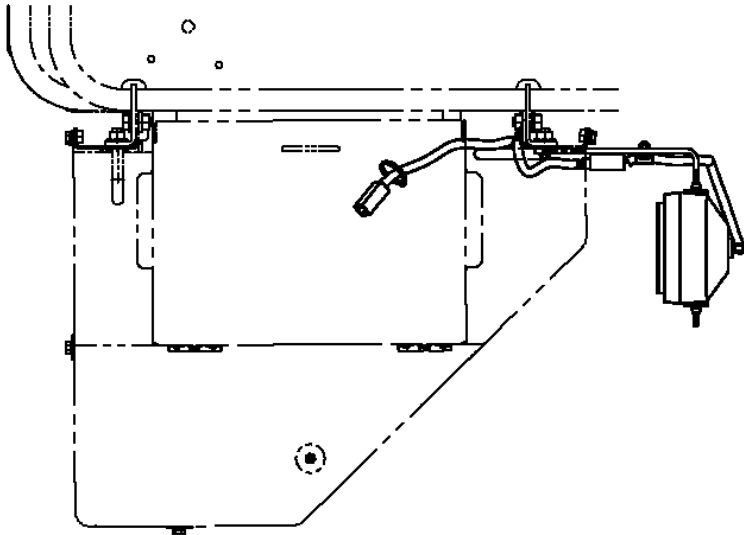
- Thank you very much for reading the preview of the manual.
- You can download the complete manual from: www.heydownloads.com by clicking the link below



- Please note: If there is no response to CLICKING the link, please download this PDF first and then click on it.

CLICK HERE TO **DOWNLOAD** THE COMPLETE MANUAL

**AT-121-3 43007341702 UPPER,LOWER,ISUZU TPG-NKR85AN-EE5AHY-JD
 PL5140004-02 LAMP ASSY,WORKING (BUCKET OR BASKET:HALOGEN)**

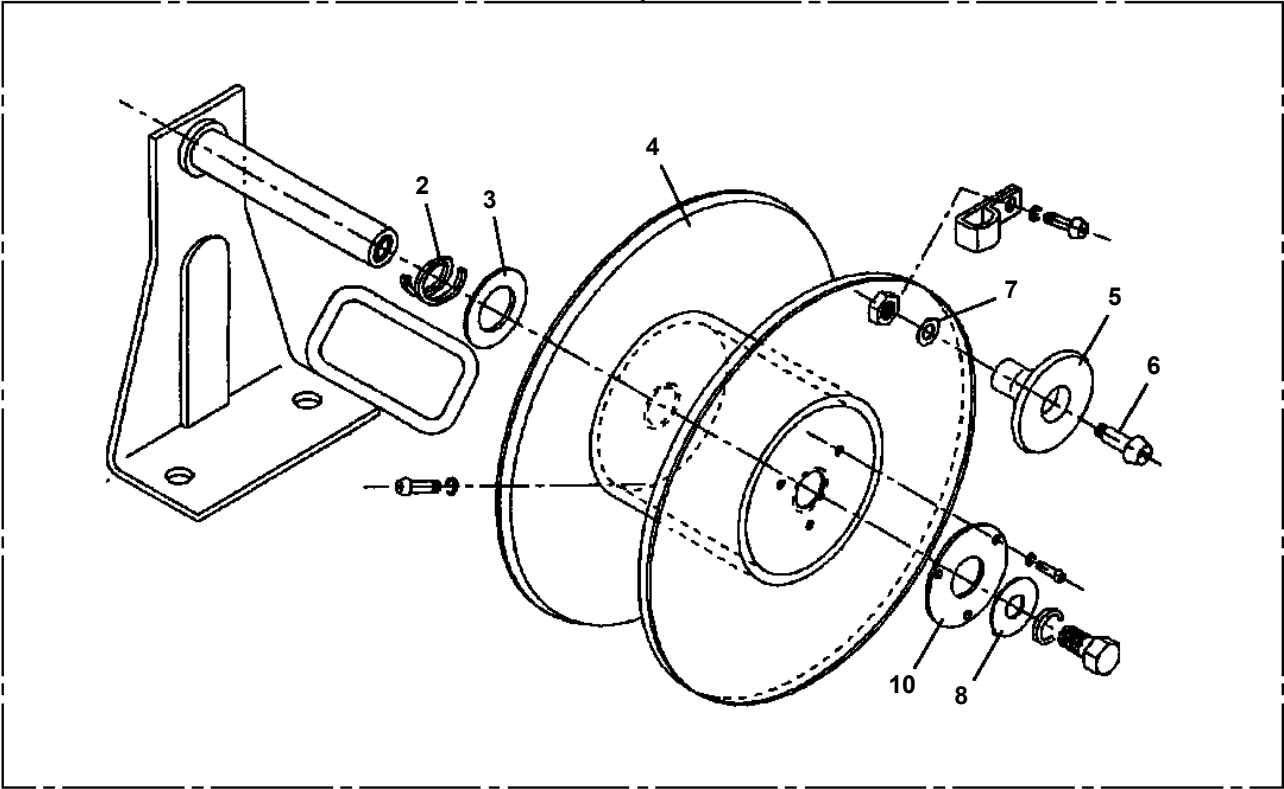


AT-121-3 43007341702 UPPER,LOWER,ISUZU TPG-NKR85AN-EE5AHY-JD

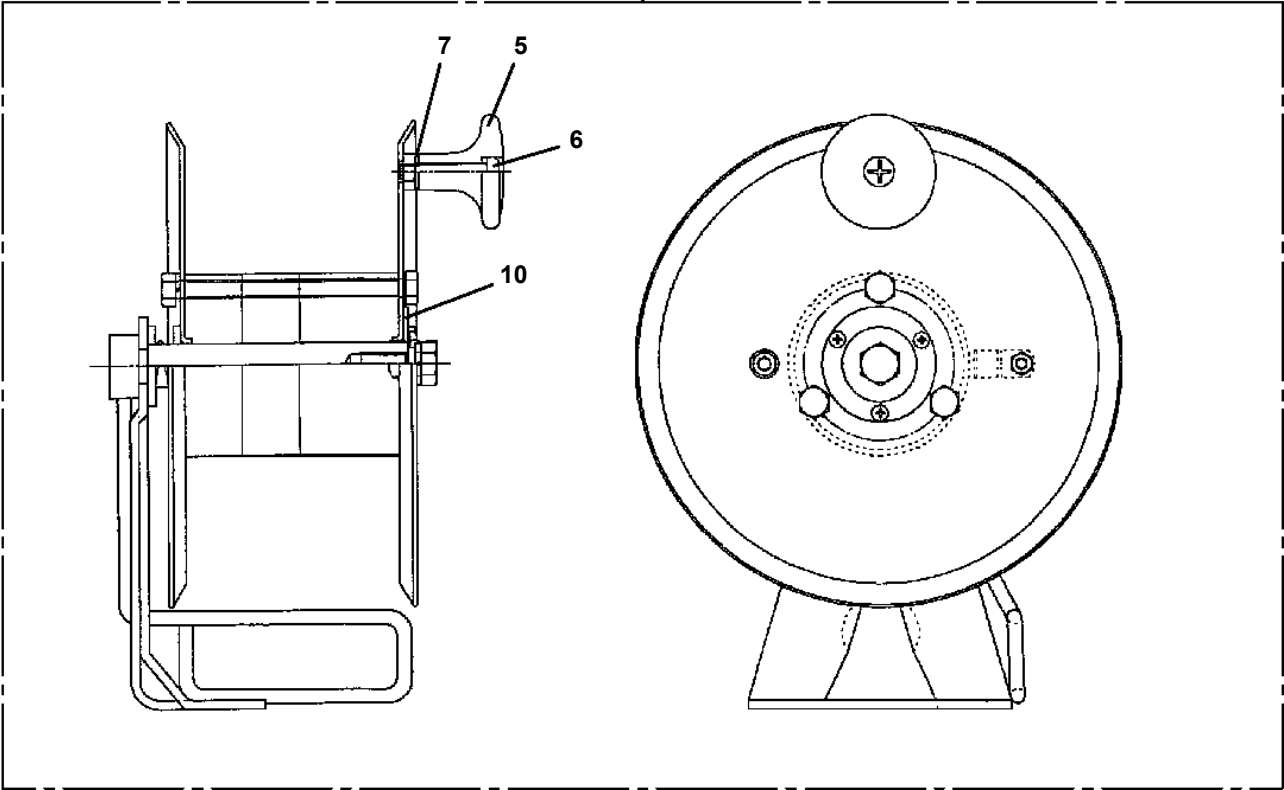
Pos No.	Parts No	Parts Name	Qty	Unit	Technical Data	Serial No (Start)	Serial No (End)	Remarks	Pages
1	90101208045	BOLT	4		M8X45				
2	90302040801	WASHER,SPRING	4		8				
3	90303070801	WASHER,PLAIN	4		8				
4	37000553000	PLATE	8						
5	90201201000	NUT	8		M10				

AT-121-3 43007341702 UPPER,LOWER,ISUZU TPG-NKR85AN-EE5AHY-JD
PN1350029-01 REEL,CORD (FOR EARTHING)

50

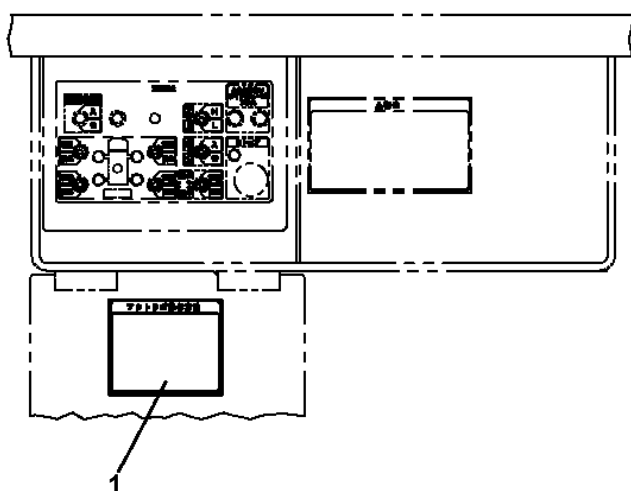


50

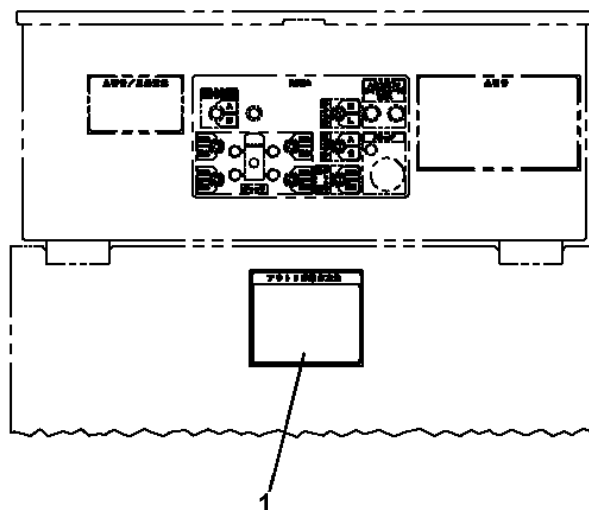


AT-121-3 43007341702 UPPER,LOWER,ISUZU TPG-NKR85AN-EE5AHY-JD
 PN5010640-01 NAME PLATE ASSY (OUTRIGGER OPERATION)

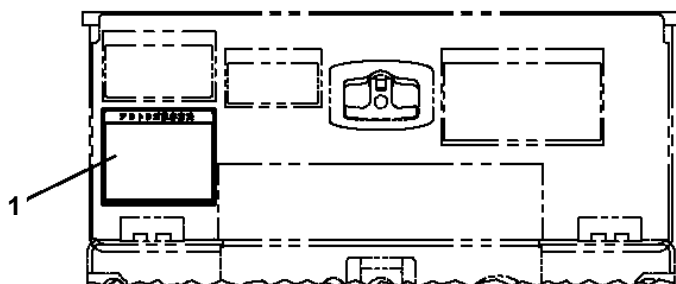
フレーム後端アウトリガ操作部
 操作扉を開いた状態



AT-121TG (F) の場合



AT-121TG (R) の場合
 AT-121TTE (~#HJ3050) の場合



AT-121TTE (#HJ3051~) の場合

アウトリガ操作方法	
アウトリガ突出操作	
1.	ジャッキ自動スイッチを「突出」側に操作してください。ジャッキが地面手前で停止します。
2.	ジャッキフロートが中央となるように車体を置いてください。
3.	再度ジャッキ自動スイッチを「突出」側に操作してください。フロント、リヤの両方に伸長します。
アウトリガ縮退操作	
1.	ジャッキ自動スイッチを「縮退」側に操作してください。リヤ、フロントの両方に縮小します。

AT-121-3 43007341702 UPPER,LOWER,ISUZU TPG-NKR85AN-EE5AHY-JD

Pos No.	Parts No	Parts Name	Qty	Unit	Technical Data	Serial No (Start)	Serial No (End)
1	42510262010	PLATE,NAME (JACK HORIZONTAL)	1				

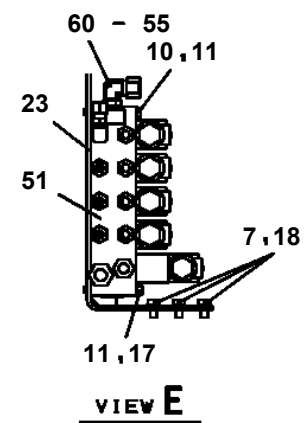
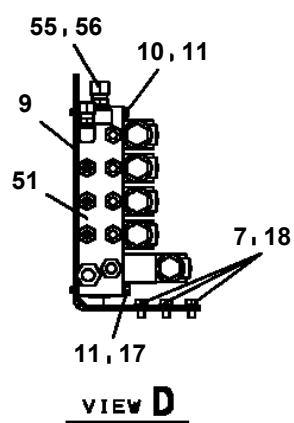
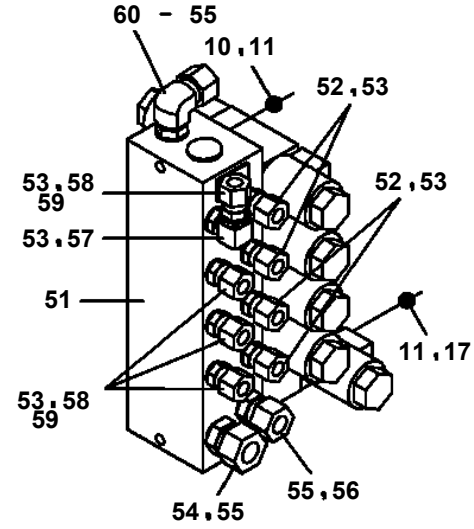
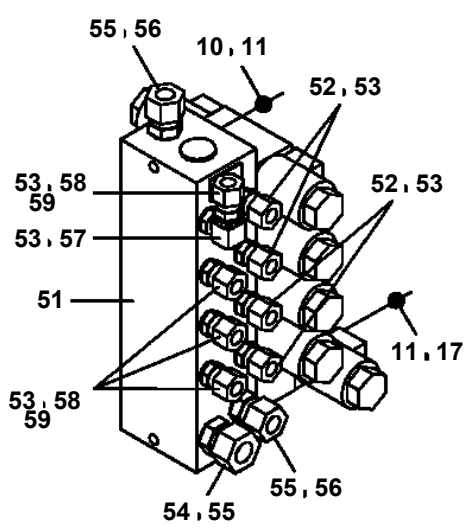
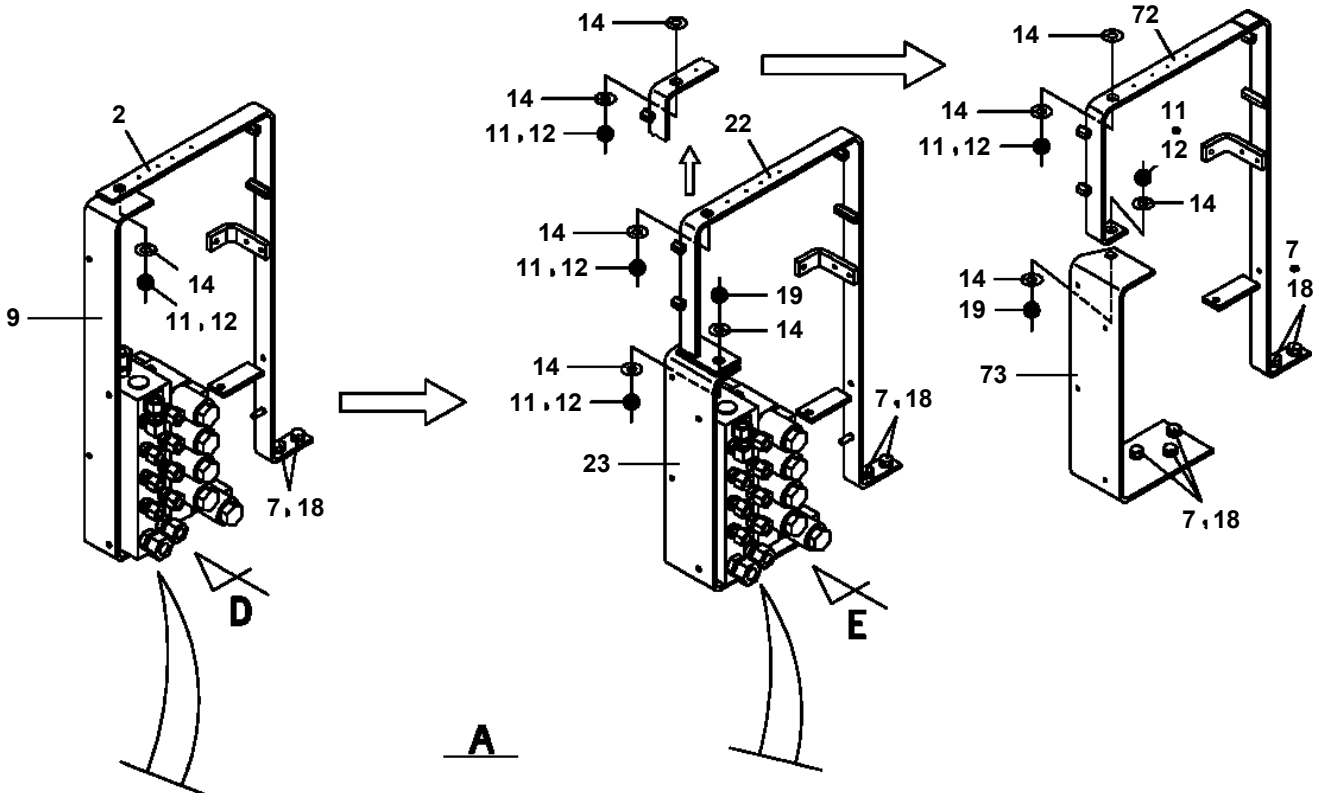
AT-121-3 43007341702 UPPER,LOWER,ISUZU TPG-NKR85AN-EE5AHY-JD

Pos No.	Parts No	Parts Name	Qty	Unit	Technical Data	Serial No (Start)	Serial No (End)	Remarks	Pages
1	42511910200	PLATE (NON-SLIP)	3						
2	42511810100	PLATE (NON-SLIP)	3						

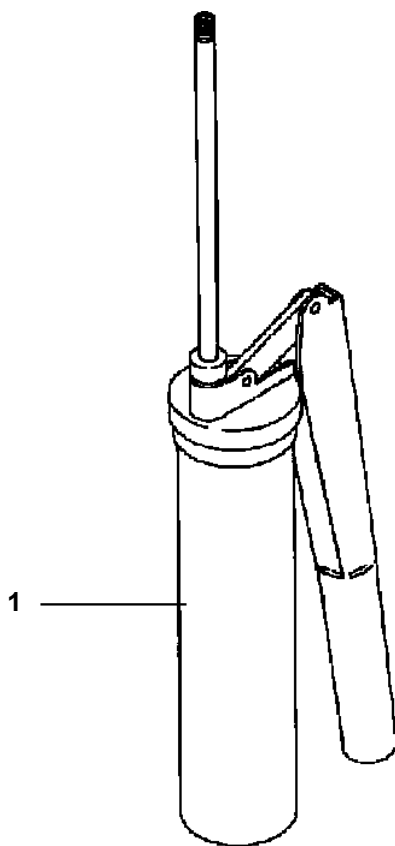
AT-121-3 43007341702 UPPER,LOWER,ISUZU TPG-NKR85AN-EE5AHY-JD

Pos No.	Parts No	Parts Name	Qty	Unit	Technical Data	Serial No (Start)	Serial No (End)
1	42940090010	PLATE,NAME	1				
2	42942152130	PLATE,CAUTION	1				
3	42947040100	PLATE,CAUTION (PTO OPERATION)	1				
4	37002224450	PLATE,NAME	1				

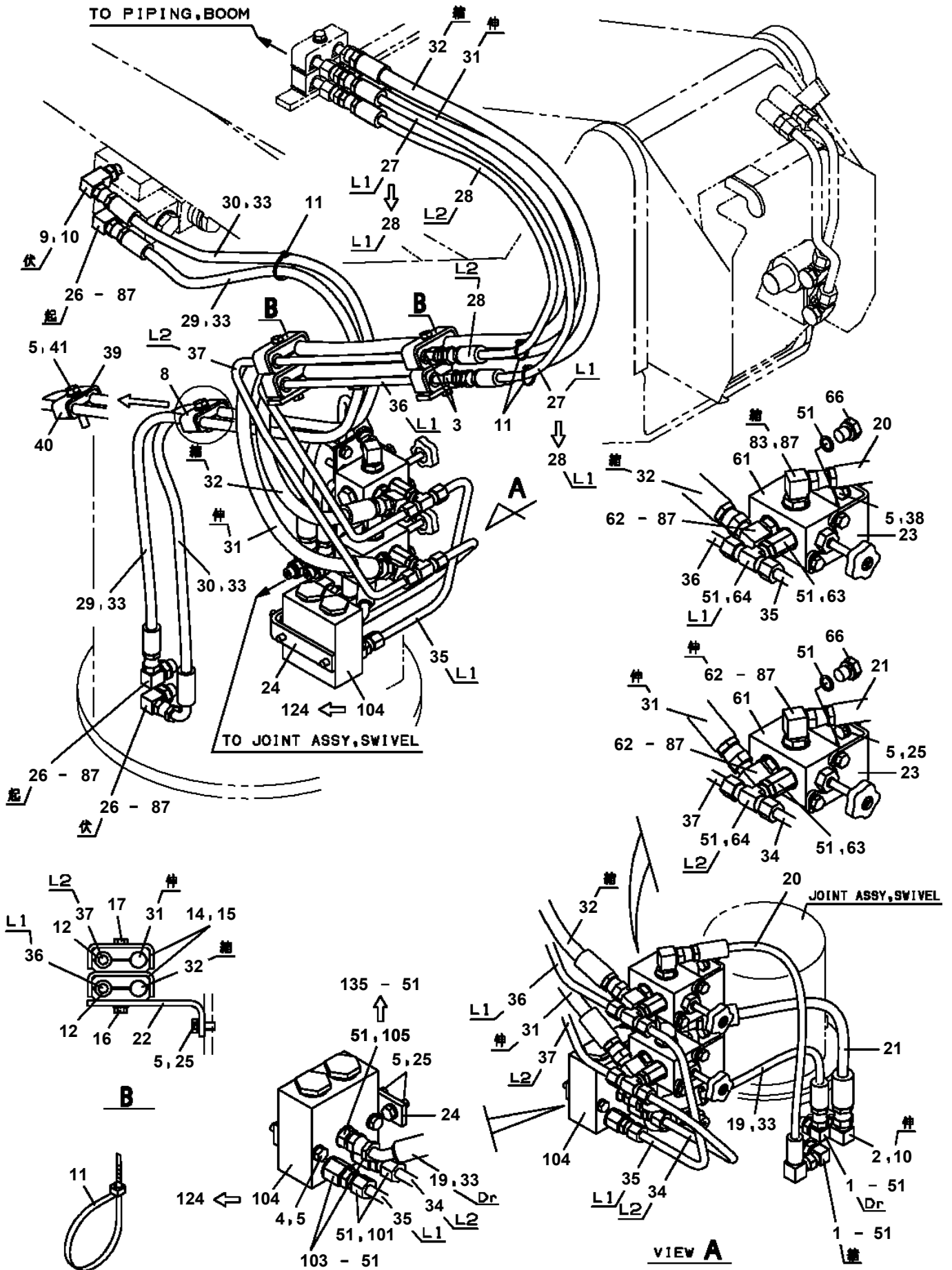
**AT-121-3 43007341702 UPPER,LOWER,ISUZU TPG-NKR85AN-EE5AHY-JD
PO5080073-05 OPE.ASSY,CONT.VALVE**



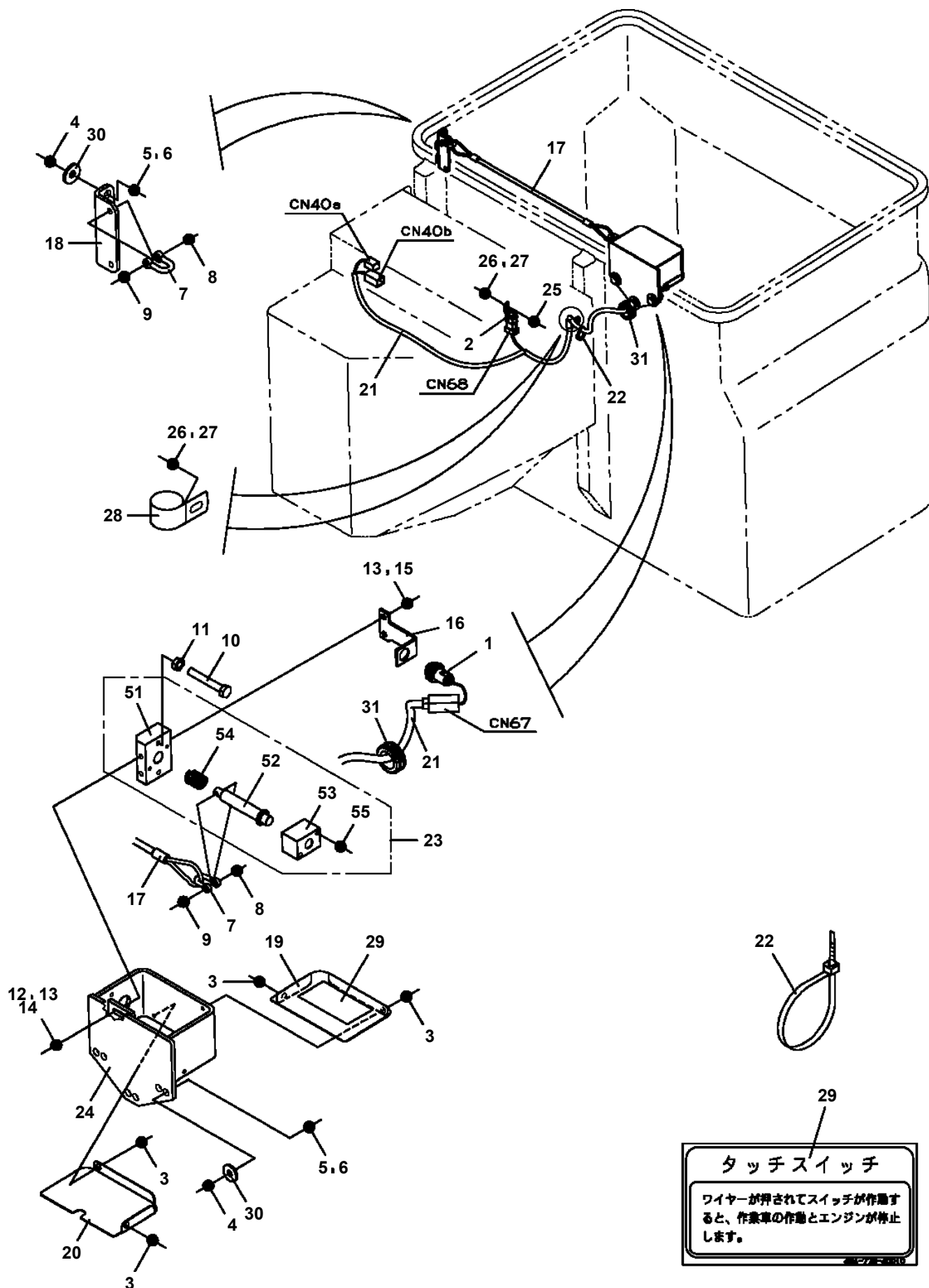
AT-121-3 43007341702 UPPER,LOWER,ISUZU TPG-NKR85AN-EE5AHY-JD
PP5450004-00 PUMP, GREASE (400CC)



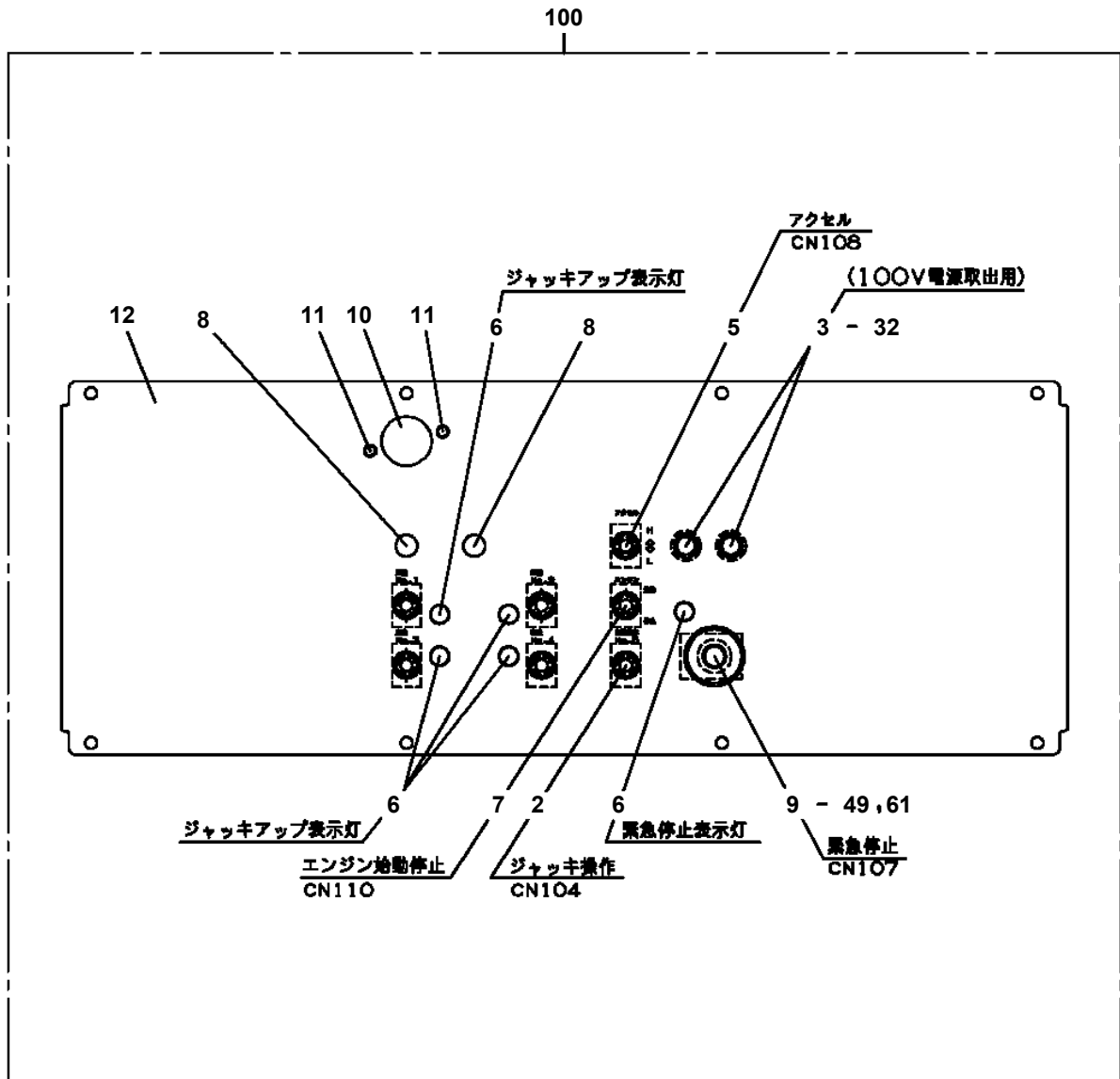
**AT-121-3 43007341702 UPPER,LOWER,ISUZU TPG-NKR85AN-EE5AHY-JD
PP6330005-03 PIPING ASSY,SWING FRAME**



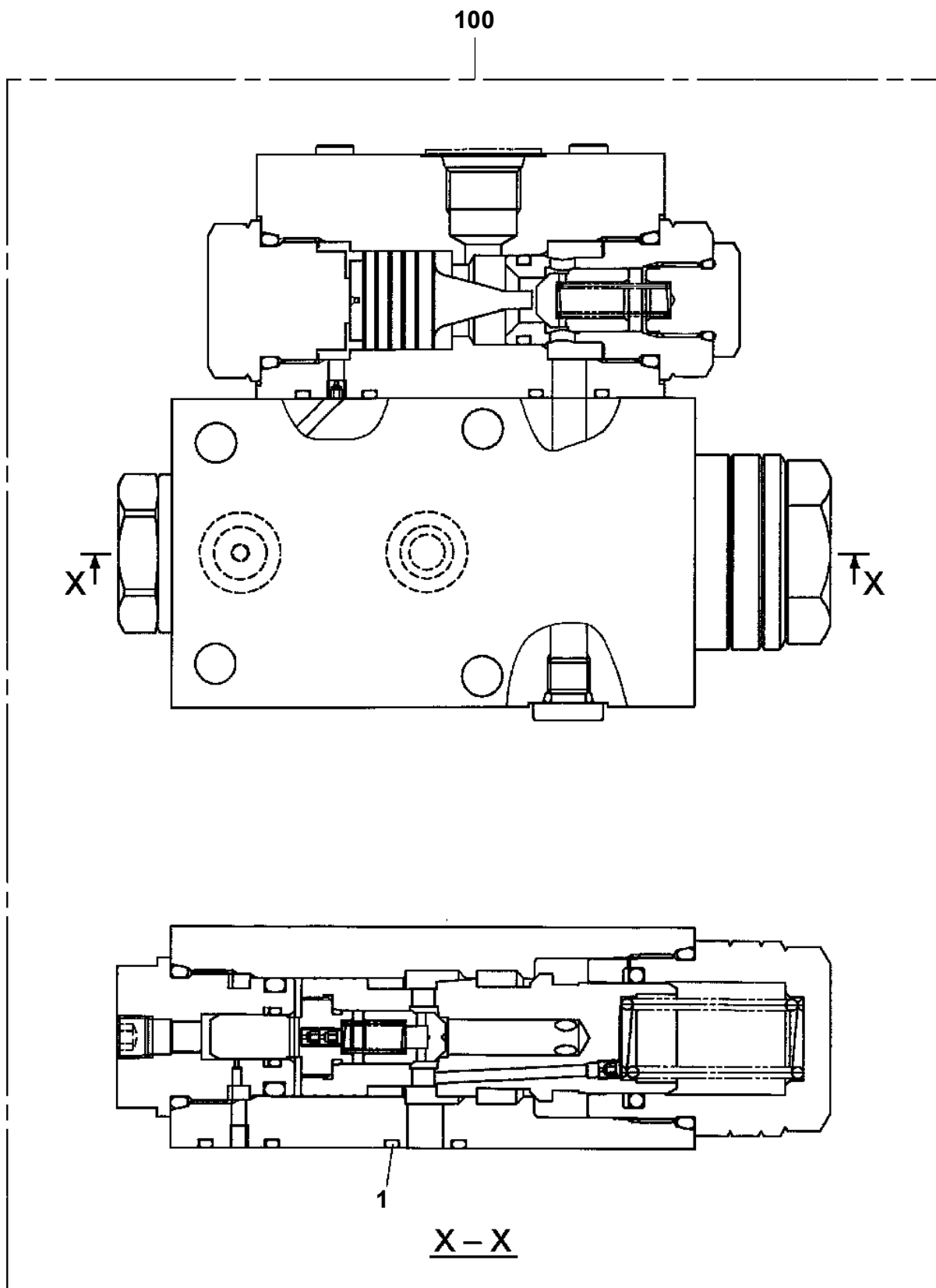
AT-121-3 43007341702 UPPER,LOWER,ISUZU TPG-NKR85AN-EE5AHY-JD
 PS5010018-00 SAFETY ASSY (BUCKET TOUCH SWITCH/WIRE TYPE)



AT-121-3 43007341702 UPPER,LOWER,ISUZU TPG-NKR85AN-EE5AHY-JD
 PS5530264-00 SWITCH ASSY



AT-121-3 43007341702 UPPER,LOWER,ISUZU TPG-NKR85AN-EE5AHY-JD
PV5070007-00 VALVE ASSY,COUNTERBALANCE

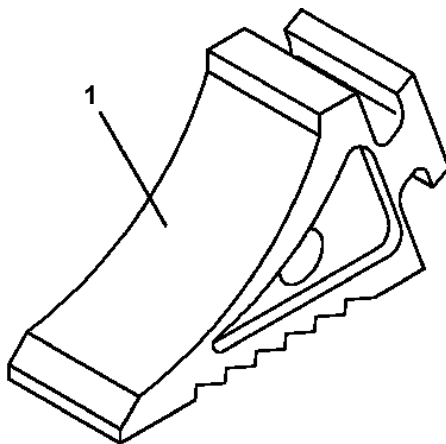


**AT-121-3 43007341702 UPPER,LOWER,ISUZU TPG-NKR85AN-EE5AHY-JD
PW1000118-00 ACCESSORIES & TOOLS**

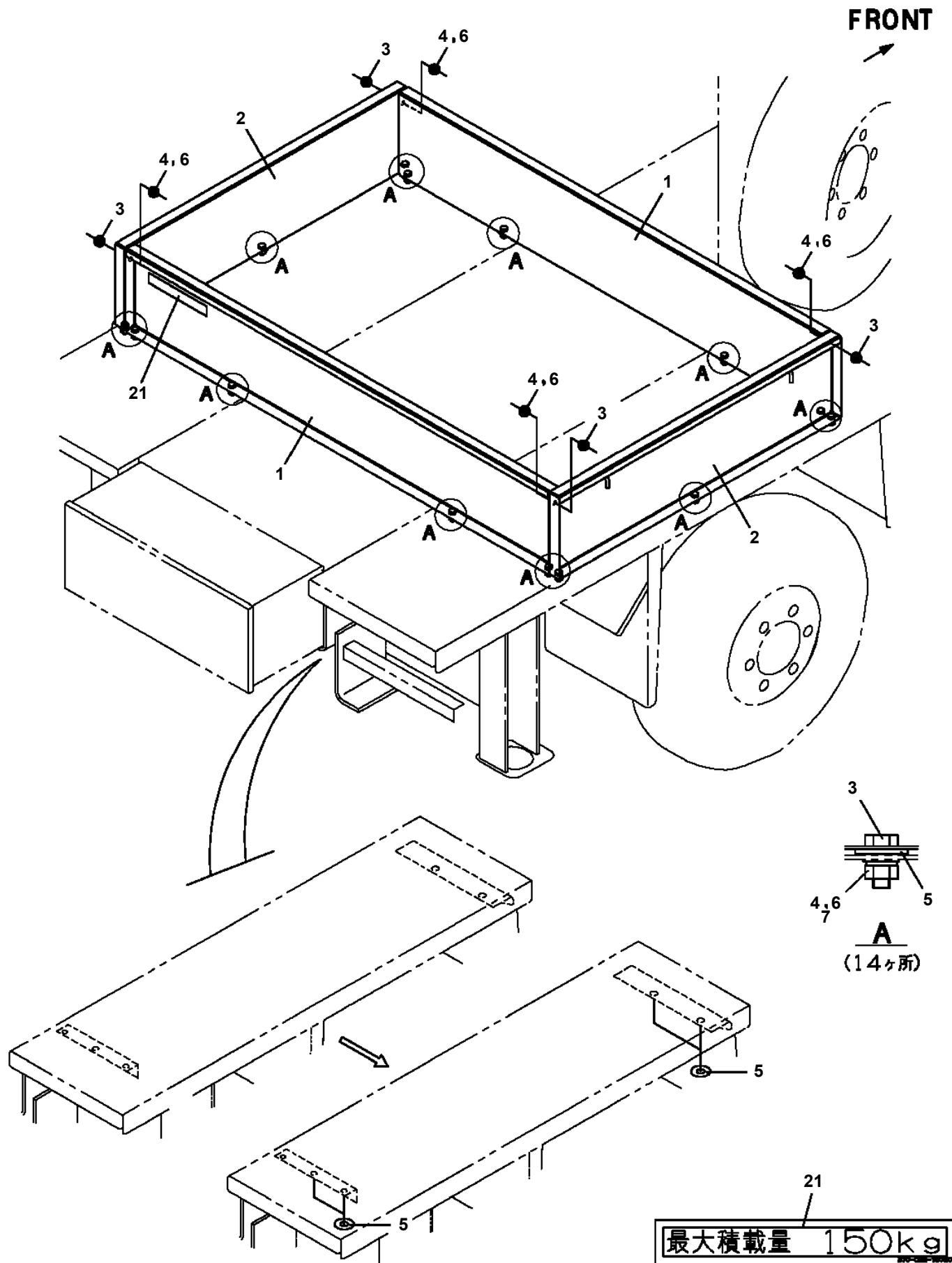
フソク ア ヒン
ACCESSORIES & TOOLS

【組立名称一覧】より選択してください。
SEE THE CORRESPONDING "ASSEMBLY NAME" LIST.

**AT-121-3 43007341702 UPPER,LOWER,ISUZU TPG-NKR85AN-EE5AHY-JD
PW1050018-01 WEDGE (STOPPER FOR TIRE/JUSTIN)**



AT-121-3 43007341702 UPPER,LOWER,ISUZU TPG-NKR85AN-EE5AHY-JD
 PX5010222-01 MOUNT ASSY (LOADING/150KG)



AT-121-3 43007341702 UPPER,LOWER,ISUZU TPG-NKR85AN-EE5AHY-JD

Pos No.	Parts No	Parts Name	Qty	Unit	Technical Data	Serial No (Start)	Serial No (End)	Remarks	Pages
1	42990050500	FENDER	1						
2	42990050400	FENDER	1						
3	42990050300	FENDER	1						
4	42990050200	FENDER	1						
5	42990050101	FENDER	1						
6	42696871800	SUPPORT	1						
7	90101208020	BOLT	4		M8X20				
8	90302040801	WASHER,SPRING	4		8				
9	90201200800	NUT	4		M8				
10	42699971000	SUPPORT	4						
11	90101210025	BOLT	40		M10X25				
12	90302041001	WASHER,SPRING	51		10				
13	90201201000	NUT	33		M10				
14	37000505950	PLATE	12		T=3.2				
15	90180210025	BOLT,BUTTON	9		M10X25				
16	90303071001	WASHER,PLAIN	22		10				
18	42990050600	SUPPORT	1						
19	42990050700	SUPPORT	1						
20	42990050800	SUPPORT	1						
21	42990050900	SUPPORT	1						
22	90101210018	BOLT	2		M10X18				
23	42990050010	SUPPORT	1						
24	82467300107	PLUG	14						

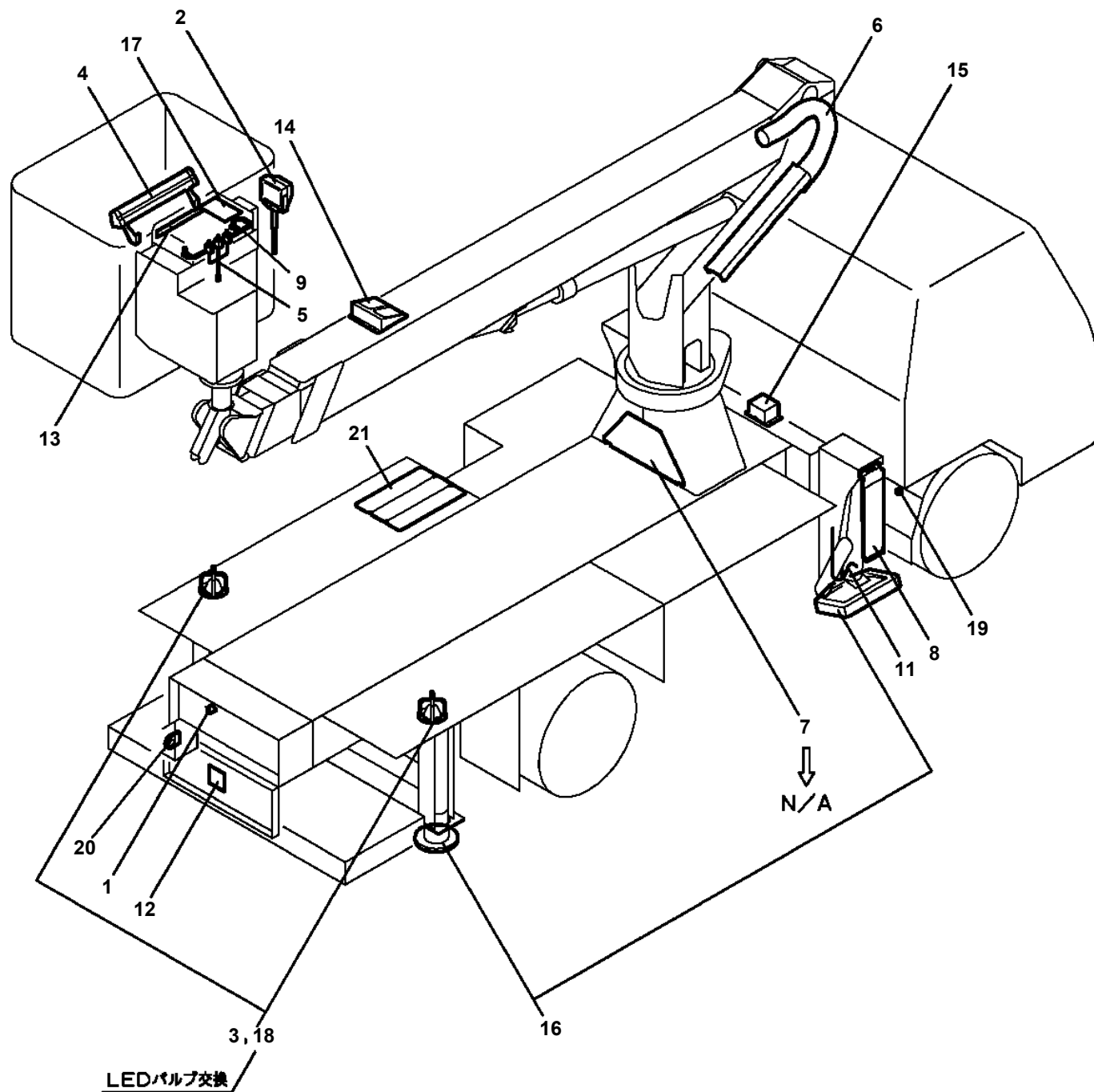
AT-121-3 43007341702 UPPER,LOWER,ISUZU TPG-NKR85AN-EE5AHY-JD

Pos No.	Parts No	Parts Name	Qty	Unit	Technical Data	Serial No (Start)	Serial No (End)	Remarks	Pages
1	42443970200	STEP	1						
2	90101208014	BOLT	4		M8X14				
3	90302040801	WASHER,SPRING	4		8				
4	90303070801	WASHER,PLAIN	4		8				
5	90201200800	NUT	4		M8				
6	42396552010	PLATE (NON-SLIP)	2						

AT-121-3 43007341702 UPPER,LOWER,ISUZU TPG-NKR85AN-EE5AHY-JD

Pos No.	Parts No	Parts Name	Qty	Unit	Technical Data	Serial No (Start)	Serial No (End)	Remarks	Pages
1	90302041001	WASHER,SPRING	2		10				
2	90303071001	WASHER,PLAIN	2		10				
3	42839100010	SUPPORT	1						
4	90201201000	NUT	2		M10				

AT-121-3 43007341702 UPPER,LOWER,ISUZU TPG-NKR85AN-EE5AHY-JD
PY1001626-09 OPTIONS,1 (UPPER)



適用製造番号によっては取り付けがないものもあります。

MACHINES OF SOME SERIAL NO. ARE NOT EQUIPPED WITH THESE PARTS.

CLICK HERE TO **DOWNLOAD** THE COMPLETE MANUAL

- Thank you very much for reading the preview of the manual.
- You can download the complete manual from: www.heydownloads.com by clicking the link below



- Please note: If there is no response to CLICKING the link, please download this PDF first and then click on it.

CLICK HERE TO **DOWNLOAD** THE COMPLETE MANUAL