

AT-121-3 43007332251 UPPER,LOWER,HINO TKG-XZU600E-TKTQC6

PB0000276-02 UPPER STRUCTURE SYSTEM

PB0000500-02 LOWER STRUCTURE SYSTEM

ASSEMBLY

CLICK HERE TO **DOWNLOAD** THE COMPLETE MANUAL

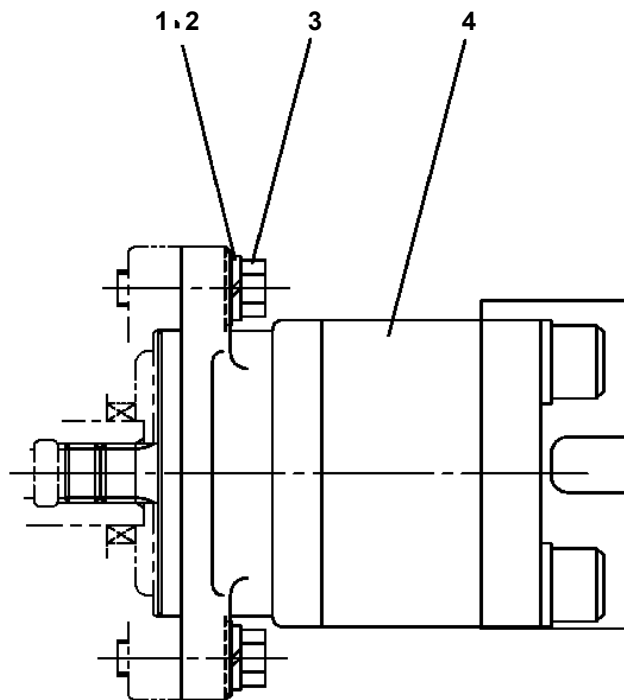
- Thank you very much for reading the preview of the manual.
- You can download the complete manual from: www.heydownloads.com by clicking the link below



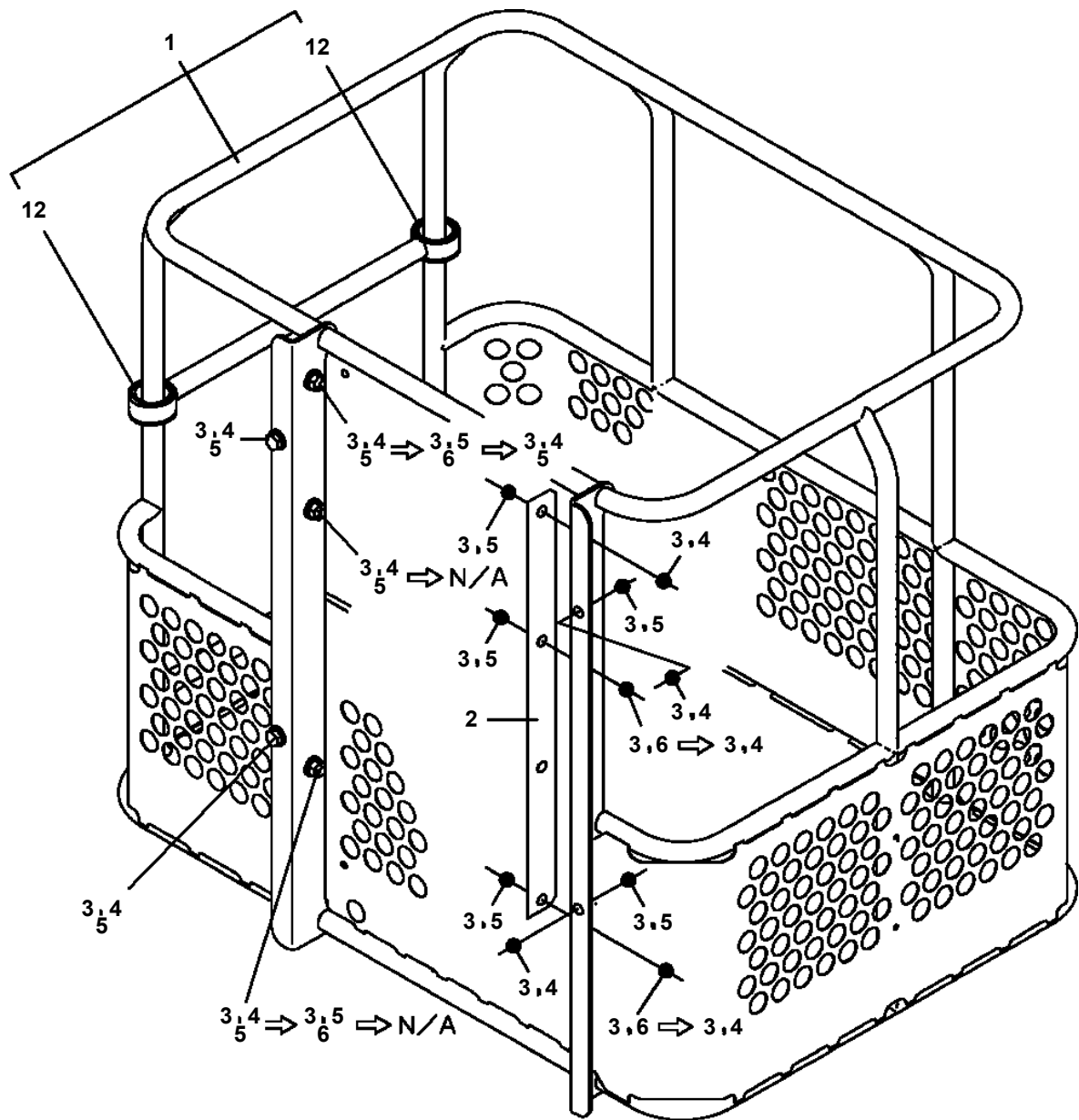
- Please note: If there is no response to CLICKING the link, please download this PDF first and then click on it.

CLICK HERE TO **DOWNLOAD** THE COMPLETE MANUAL

**AT-121-3 43007332251 UPPER,LOWER,HINO TKG-XZU600E-TKTQC6
PB1110007-01 PUMP INSTALLATION**



AT-121-3 43007332251 UPPER,LOWER,HINO TKG-XZU600E-TKTQC6
PB5040014-01 BASKET ASSY (PIPE)



AT-121-3 43007332251 UPPER,LOWER,HINO TKG-XZU600E-TKTQC6

Pos No.	Parts No	Parts Name	Qty	Unit	Technical Data	Serial No (Start)	Serial No (End)	Remarks
1	42266611000	POST ASSY	1					
2	42268191001	FRAME ASSY	1					
4	37000159360	PIN	1					
5	80136363050	PIN,SPLIT	1		6.3X50			
6	82456101000	NIPPLE,GREASE	1		A-PT1/8			
7	42262252100	WHEEL,WORM	1					
8	80601110750	RING,RITAINING	1		S75			
9	37000586760	WASHER,PLAIN	8		12			
10	90171112055	BOLT	4		M12X55			
11	90201781200	NUT	4		M12			
12	90102212040	BOLT	1		M12X40			
13	90201201200	NUT	1		M12			
14	90303071001	WASHER,PLAIN	4		10			
15	90302041001	WASHER,SPRING	4		10			
16	90171110030	BOLT	4		M10X30			
17	42264154600	SHIM	N		T=0.2			
32	80820003540	BEARING,PLAIN	2					
42	80513006015	BEARING,BALL	2					
51	42262053400	MOTOR,ELECTRIC	1					
52	90172105045	BOLT,HEXAGON SOCKET	3		M5X45			
53	90302040501	WASHER,SPRING	3		5			
54	42268192101	GEAR ASSY	1					
55	90303070501	WASHER,PLAIN	3		5			
71	42264040800	WHEEL,WORM	1					
72	42265680200	STOPPER	1					
73	90172110035	BOLT,HEXAGON SOCKET	2		M10X35			
74	90309341003	WASHER,SPRING (10)	2					
91	42262053410	MOTOR,ELECTRIC	1					
92	44260301150	COVER	1					
93	91810132530	FASTENER	2					
101	44260307510	GEAR ASSY (WHEEL)	1					
102	44260307530	WASHER,TOOTH	1					

AT-121-3 43007332251 UPPER,LOWER,HINO TKG-XZU600E-TKTQC6

Pos No.	Parts No	Parts Name	Qty	Unit	Technical Data	Serial No (Start)	Serial No (E
1	(*****)	COVER ASSY (SWING BEARING/BLACK)	1				
2	42898720100	COVER	1				
3	90303070801	WASHER,PLAIN	4		8		
4	90302040801	WASHER,SPRING	8		8		
5	90101208016	BOLT	8		M8X16		
6	42898720200	SUPPORT	2				

AT-121-3 43007332251 UPPER,LOWER,HINO TKG-XZU600E-TKTQC6

Pos No.	Parts No	Parts Name	Qty	Unit	Technical Data	Serial No (Start)	Serial No (End)	Remarks	Pages
1	42507970100	COVER	4						
2	37001510870	BOLT	8		M8X18				

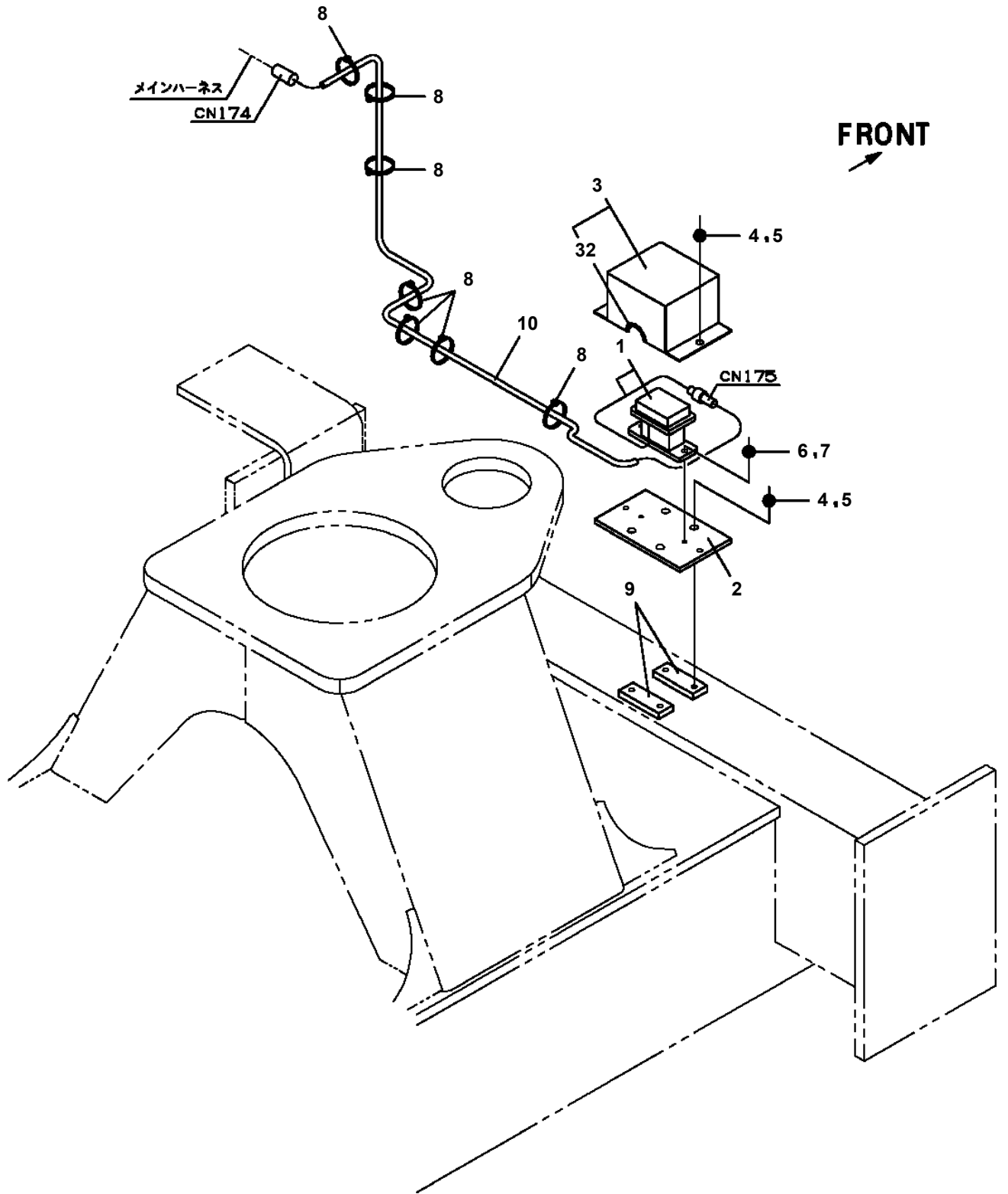
AT-121-3 43007332251 UPPER,LOWER,HINO TKG-XZU600E-TKTQC6

Pos No.	Parts No	Parts Name	Qty	Unit	Technical Data	Serial No (Start)	Serial No (End)
2	90302042401	WASHER,SPRING	1		24		
3	90209402400	NUT	1		M24		
4	36028370010	PISTON	1				
5	91350207500	BEARING,PLAIN (WITH PACKINGX2)	1				
6	91002802000	O-RING	1		1B P20		
7	36027519520	ROD ASSY	1				
8	36026159530	COVER,ROD	1				
9	80612110400	RING,RITAINING	1		AR40		
10	91002907000	O-RING	1		1B G70		
11	80801003525	BEARING,PLAIN	1				
12	91694003500	PACKING	1				
13	91410203501	RING,BACKUP	1				
14	91660003501	SEAL,DUST	1				
15	82455106000	NIPPLE,GREASE	1		A-M6F FE		
17	80820003020	BEARING,PLAIN	4				
18	91002907500	O-RING	1		1B G75		
20	90303072401	WASHER,PLAIN	1		24		
21	36027519512	CYLINDER ASSY	1				
41	36026489900	PACKING SET	1		35X75		
100	36027510000	CYLINDER ASSY,LEVELING	1				

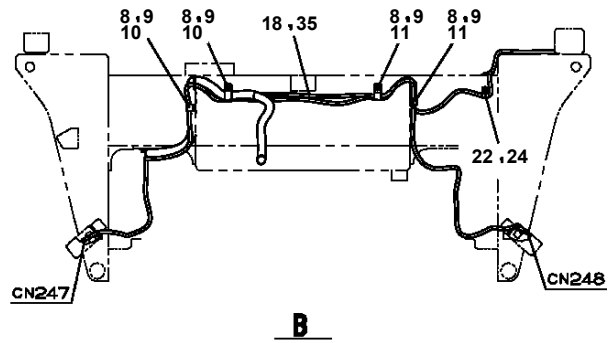
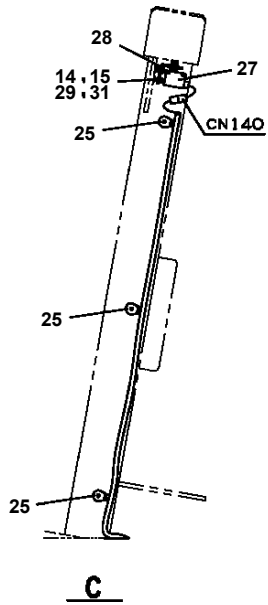
AT-121-3 43007332251 UPPER,LOWER,HINO TKG-XZU600E-TKTQC6

Pos No.	Parts No	Parts Name	Qty	Unit	Technical Data	Serial No (Start)	Serial No (End)	R
1	36028380000	CYLINDER ASSY,DERRICK	1					
2	36606450000	VALVE ASSY,COUNTERBALANCE	1					
3	90302040801	WASHER,SPRING	4		8			
4	90171108060	BOLT	4		M8X70			

AT-121-3 43007332251 UPPER,LOWER,HINO TKG-XZU600E-TKTQC6
PE5020970-00 ELEC.ASSY (JACK HORIZONTAL)



AT-121-3 43007332251 UPPER,LOWER,HINO TKG-XZU600E-TKTQC6
PE5110074-00 ELEC.ASSY,FRAME



AT-121-3 43007332251 UPPER,LOWER,HINO TKG-XZU600E-TKTQC6

Pos No.	Parts No	Parts Name	Qty	Unit	Technical Data	Serial No (Start)	S
1	42461162000	FALL ARREST SYSTEM (TB-LSA-550/FUJII-DENKO)	1				

AT-121-3 43007332251 UPPER,LOWER,HINO TKG-XZU600E-TKTQC6

Pos No.	Parts No	Parts Name	Qty	Unit	Technical Data	Serial No (Start)	Serial No (End)	Remarks	Pages
1	42507950201	GUARD	1						

AT-121-3 43007332251 UPPER,LOWER,HINO TKG-XZU600E-TKTQC6

Pos No.	Parts No	Parts Name	Qty	Unit	Technical Data	Serial No (Start)	Serial No (End)	Remarks	Pages
100	42356790200	HARNESS	1						

AT-121-3 43007332251 UPPER,LOWER,HINO TKG-XZU600E-TKTQC6

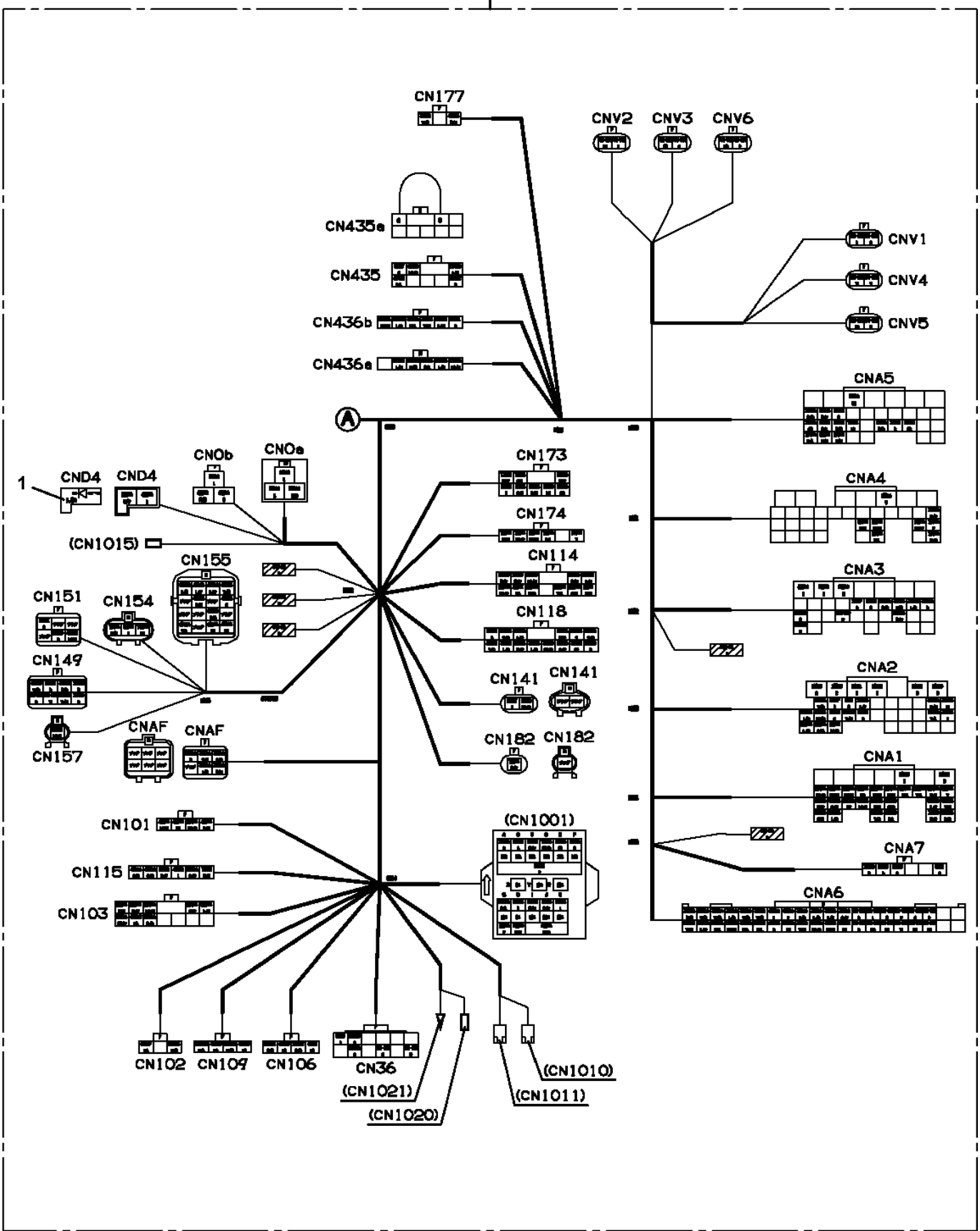
Pos No.	Parts No	Parts Name	Qty	Unit	Technical Data	Serial No (Start)	Serial No (End)	Remarks	Pages
100	42937120300	HARNESS	1						

AT-121-3 43007332251 UPPER,LOWER,HINO TKG-XZU600E-TKTQC6

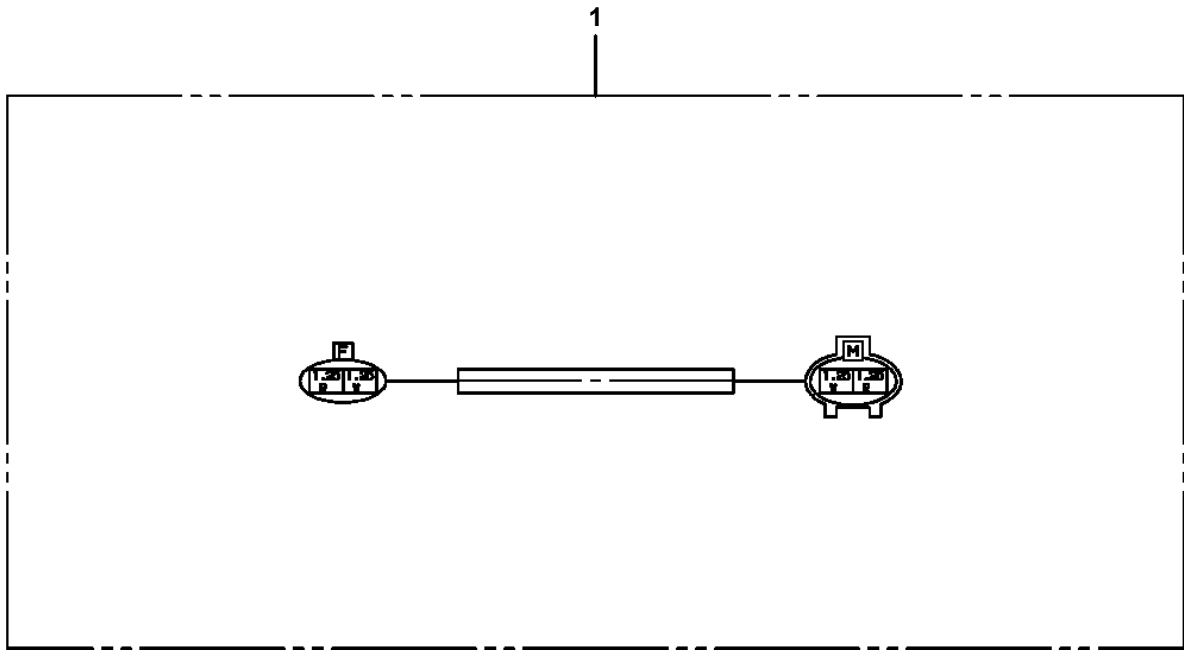
Pos No.	Parts No	Parts Name	Qty	Unit	Technical Data	Serial No (Start)	Serial No (End)	Remarks	Pages
21	82182819823	DIODE	1		1.5A				
100	42512640100	HARNESS	1						

AT-121-3 43007332251 UPPER,LOWER,HINO TKG-XZU600E-TKTQC6
 PH5033325-00 HARNESS (FRAME)

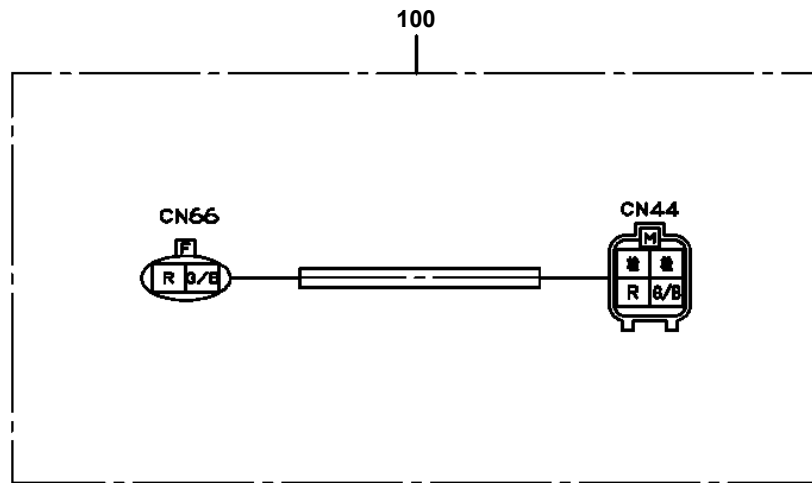
100



AT-121-3 43007332251 UPPER,LOWER,HINO TKG-XZU600E-TKTQC6
PH5034138-00 HARNESS



AT-121-3 43007332251 UPPER,LOWER,HINO TKG-XZU600E-TKTQC6
PH5034355-00 HARNESS



CLICK HERE TO **DOWNLOAD** THE COMPLETE MANUAL

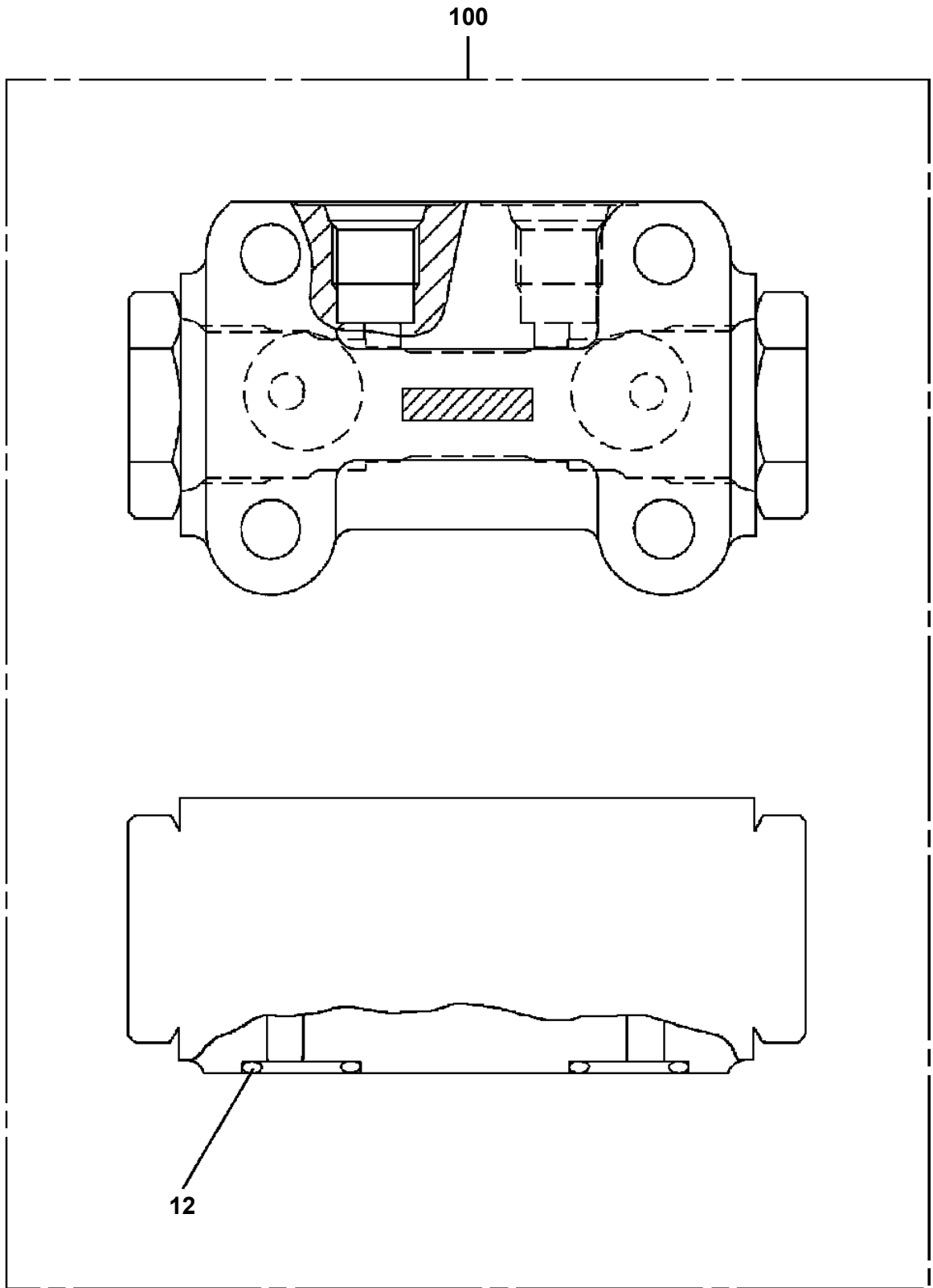
- Thank you very much for reading the preview of the manual.
- You can download the complete manual from: www.heydownloads.com by clicking the link below



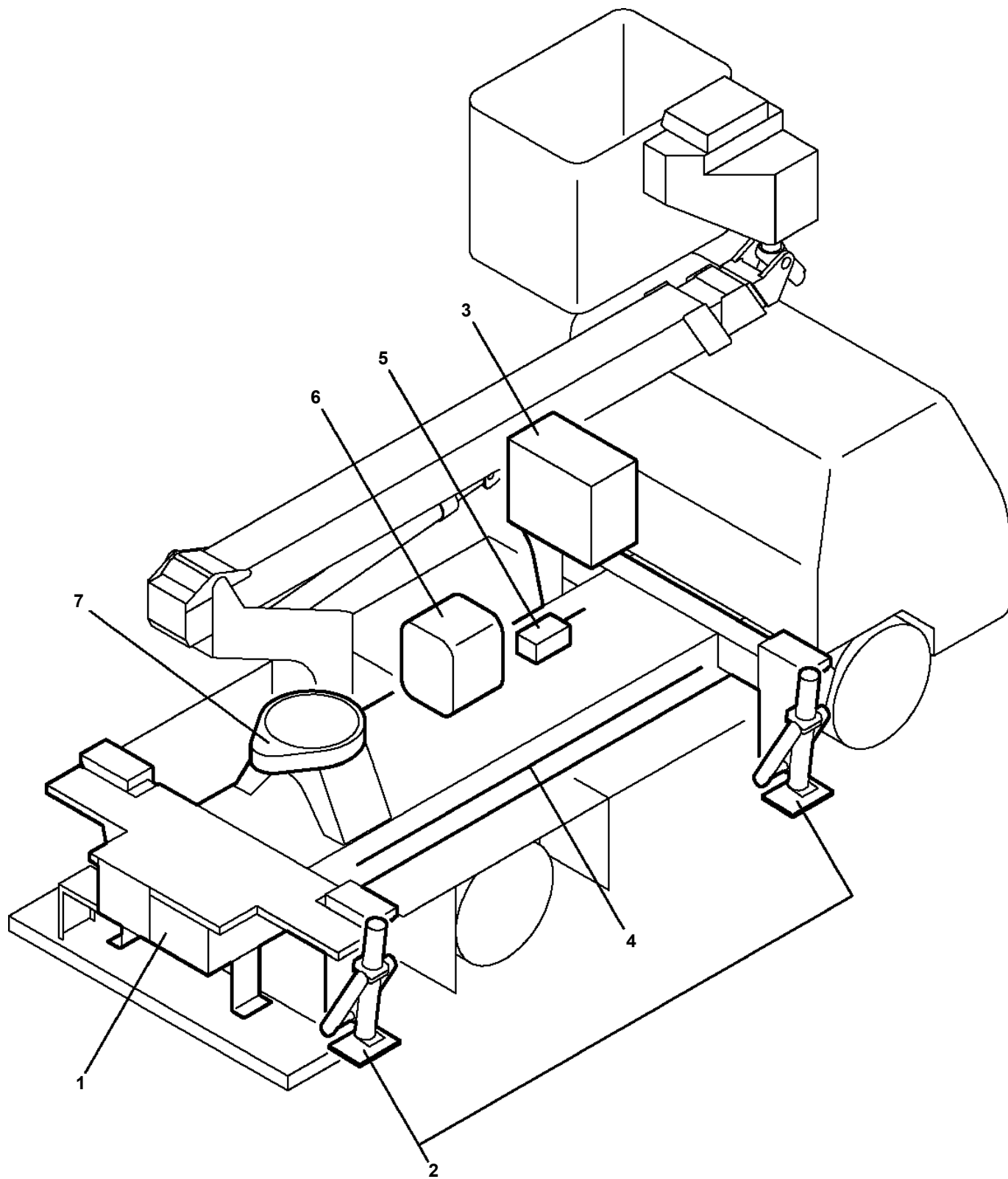
- Please note: If there is no response to CLICKING the link, please download this PDF first and then click on it.

CLICK HERE TO **DOWNLOAD** THE COMPLETE MANUAL

AT-121-3 43007332251 UPPER,LOWER,HINO TKG-XZU600E-TKTQC6
PI1140227-00 VALVE,CHECK



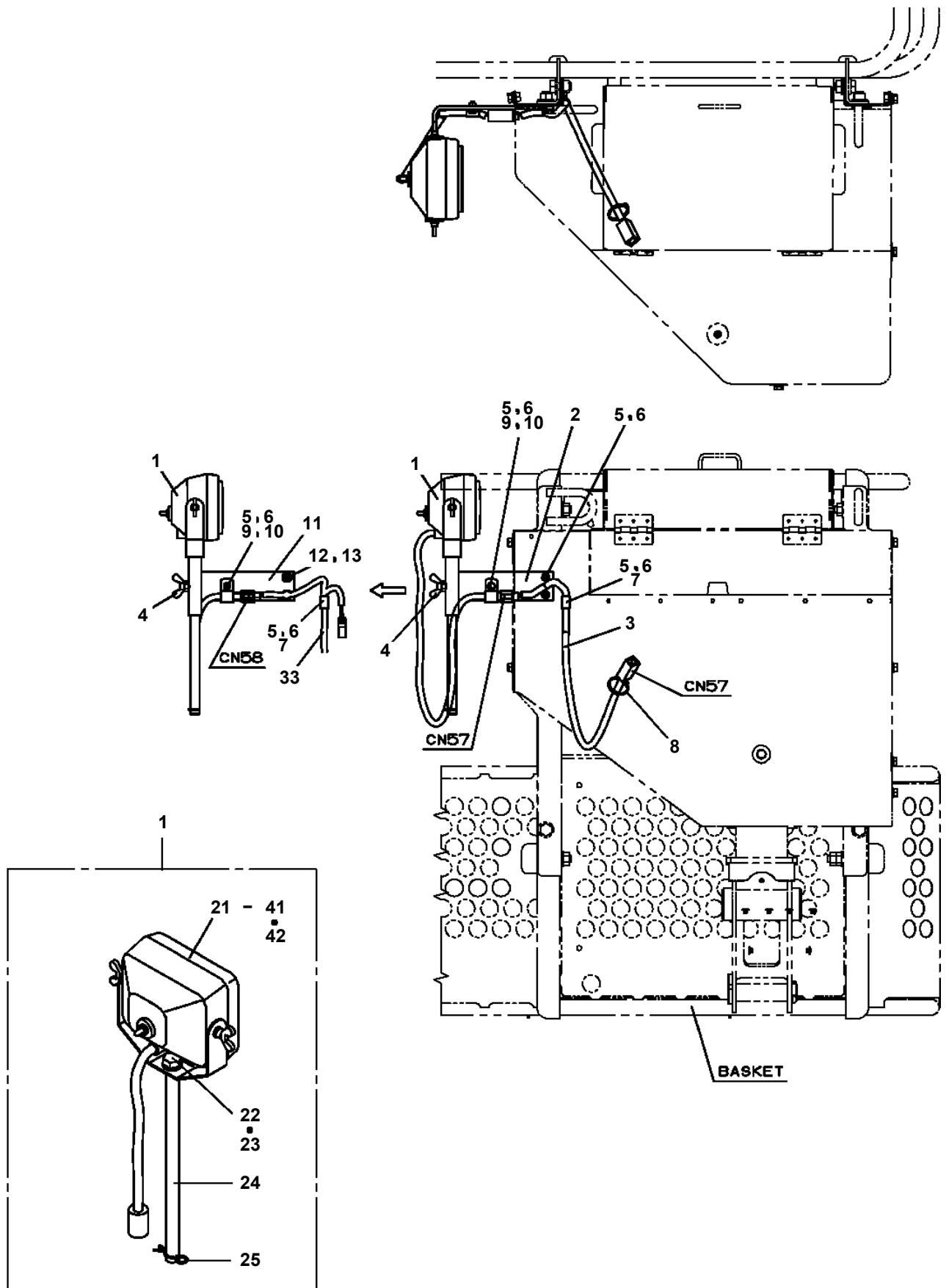
**AT-121-3 43007332251 UPPER,LOWER,HINO TKG-XZU600E-TKTQC6
PK2002026-00 FRAME UNIT**



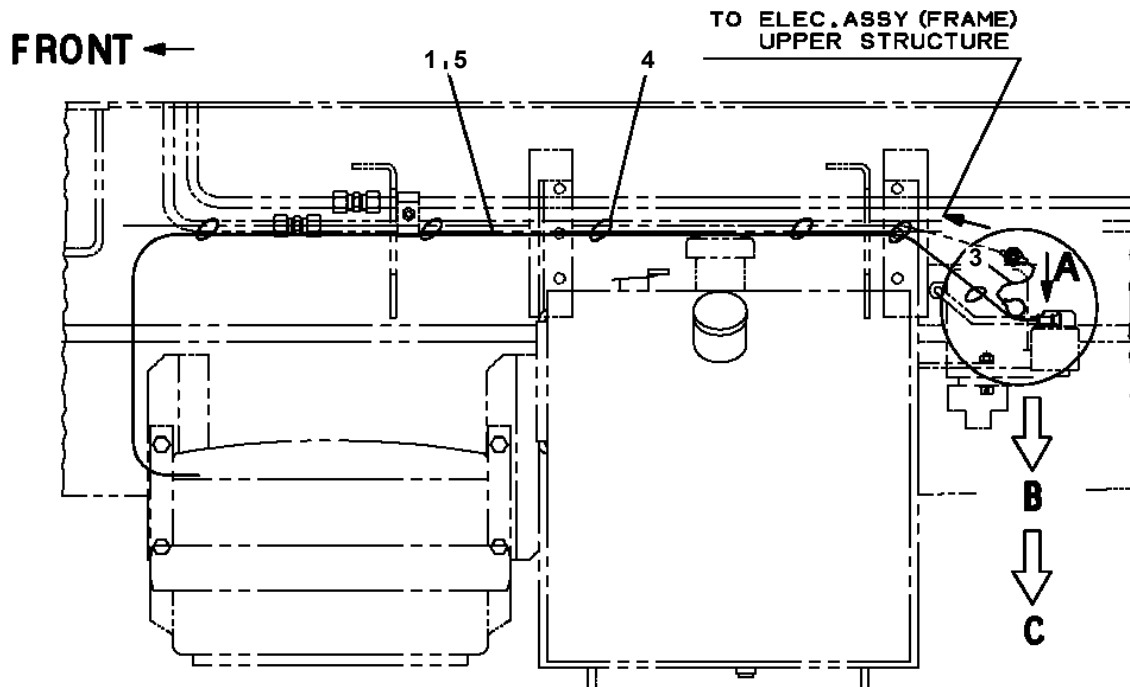
適用製造番号によっては取り付けがないものもあります。

MACHINES OF SOME SERIAL NO. ARE NOT EQUIPPED WITH THESE PARTS.

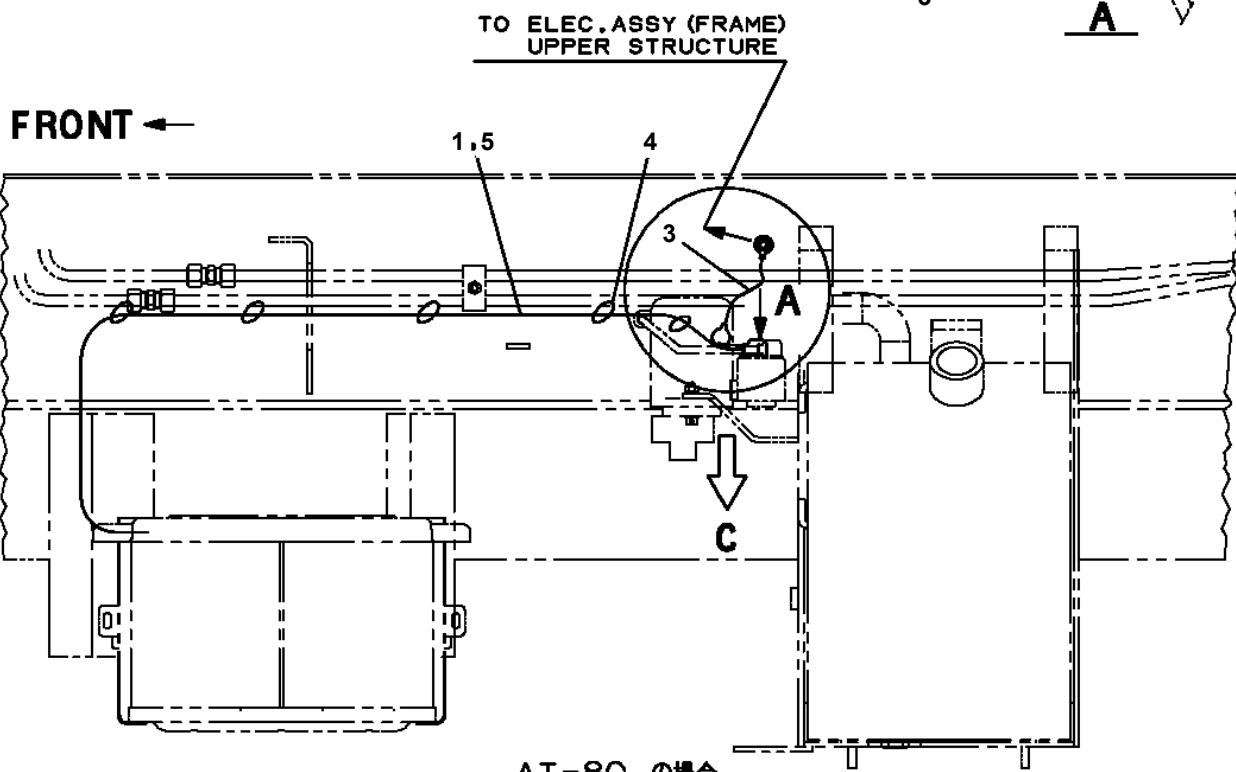
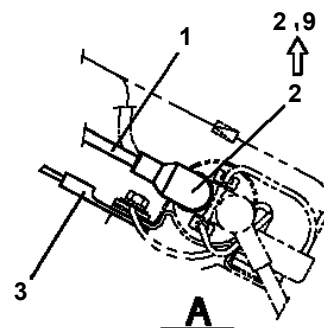
AT-121-3 43007332251 UPPER,LOWER,HINO TKG-XZU600E-TKTQC6
PL5140003-02 LAMP ASSY,WORKING (BASKET:HALOGEN)



AT-121-3 43007332251 UPPER,LOWER,HINO TKG-XZU600E-TKTQC6
 PN1013988-05 ELEC.ASSY (BATTERY & EMERGENCY PUMP)

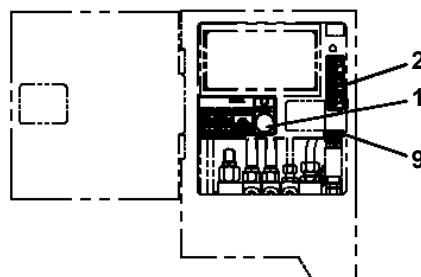
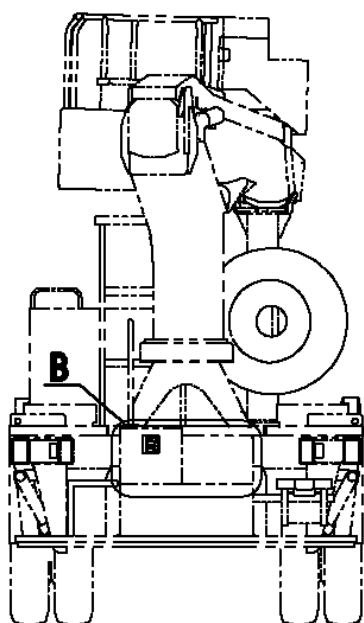
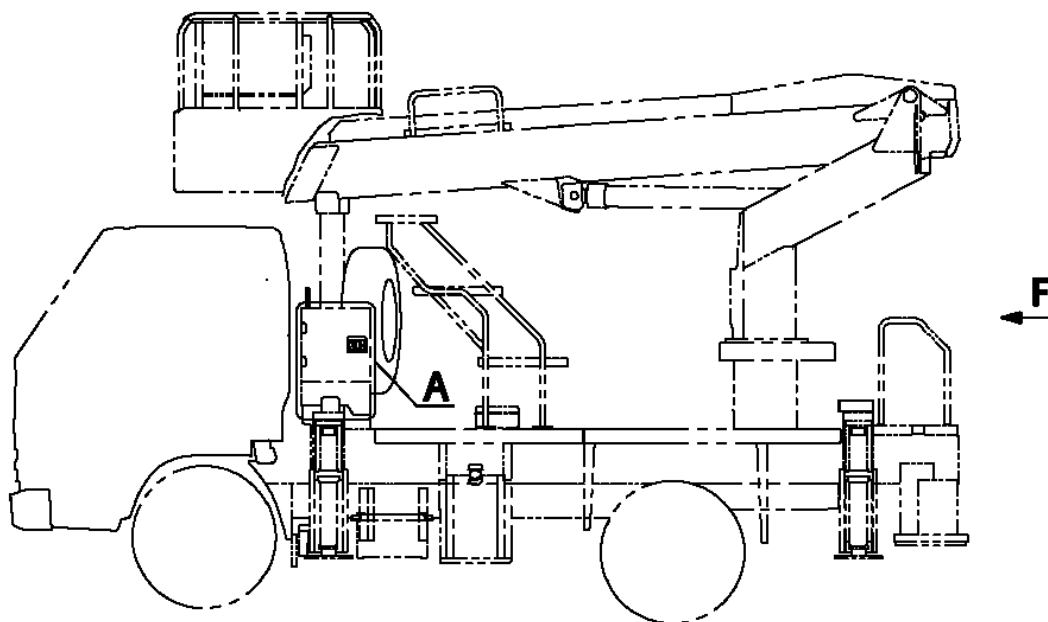
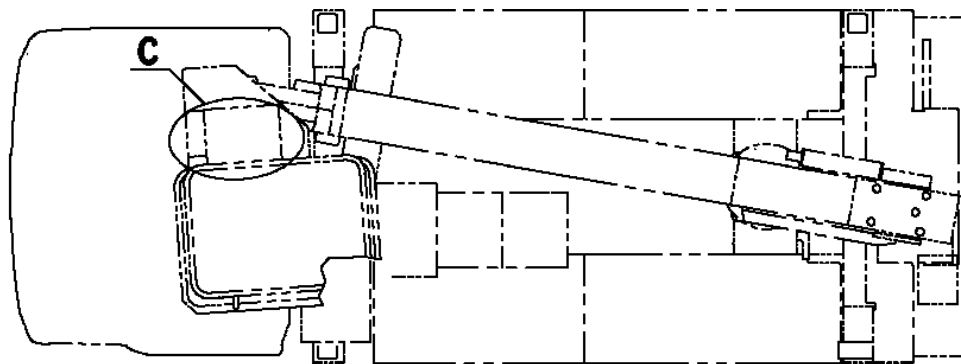


AT-100-4, AT-100-5
 AT-110-4, AT-110-5
 AT-121-2, AT-121-3 の場合

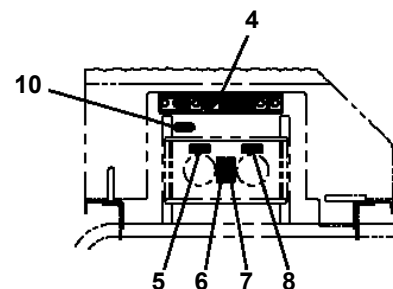


AT-80 の場合

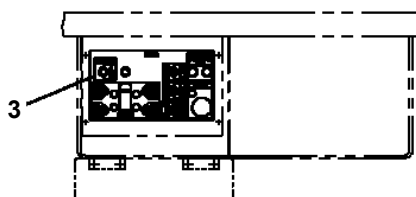
AT-121-3 43007332251 UPPER,LOWER,HINO TKG-XZU600E-TKTQC6
 PN5010633-00 NAME PLATE ASSY (OPERATION)



A
 扉を開いた状態



C
 操作カバーを開いた状態



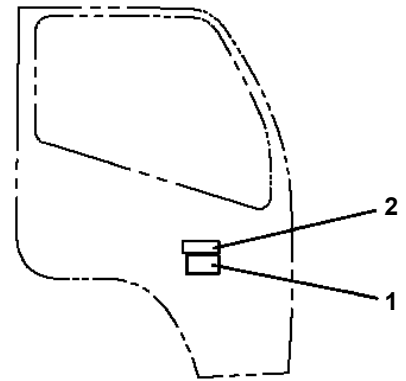
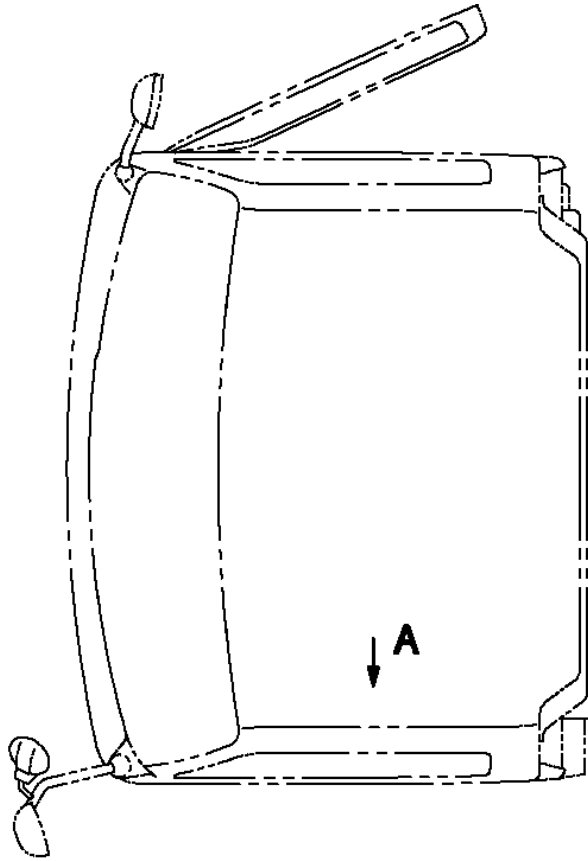
B
 扉を開いた状態

F

AT-121-3 43007332251 UPPER,LOWER,HINO TKG-XZU600E-TKTQC6

Pos No.	Parts No	Parts Name	Qty	Unit	Technical Data	Serial No (Start)	Serial No (End)
1	42510262010	PLATE,NAME (JACK HORIZONTAL)	1				

AT-121-3 43007332251 UPPER,LOWER,HINO TKG-XZU600E-TKTQC6
 PN5011627-00 NAME PLATE ASSY (TELEMATICS)



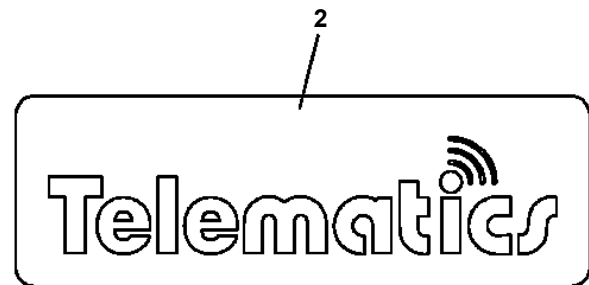
A
 左側ドア部 内側 貼付位置参考

1

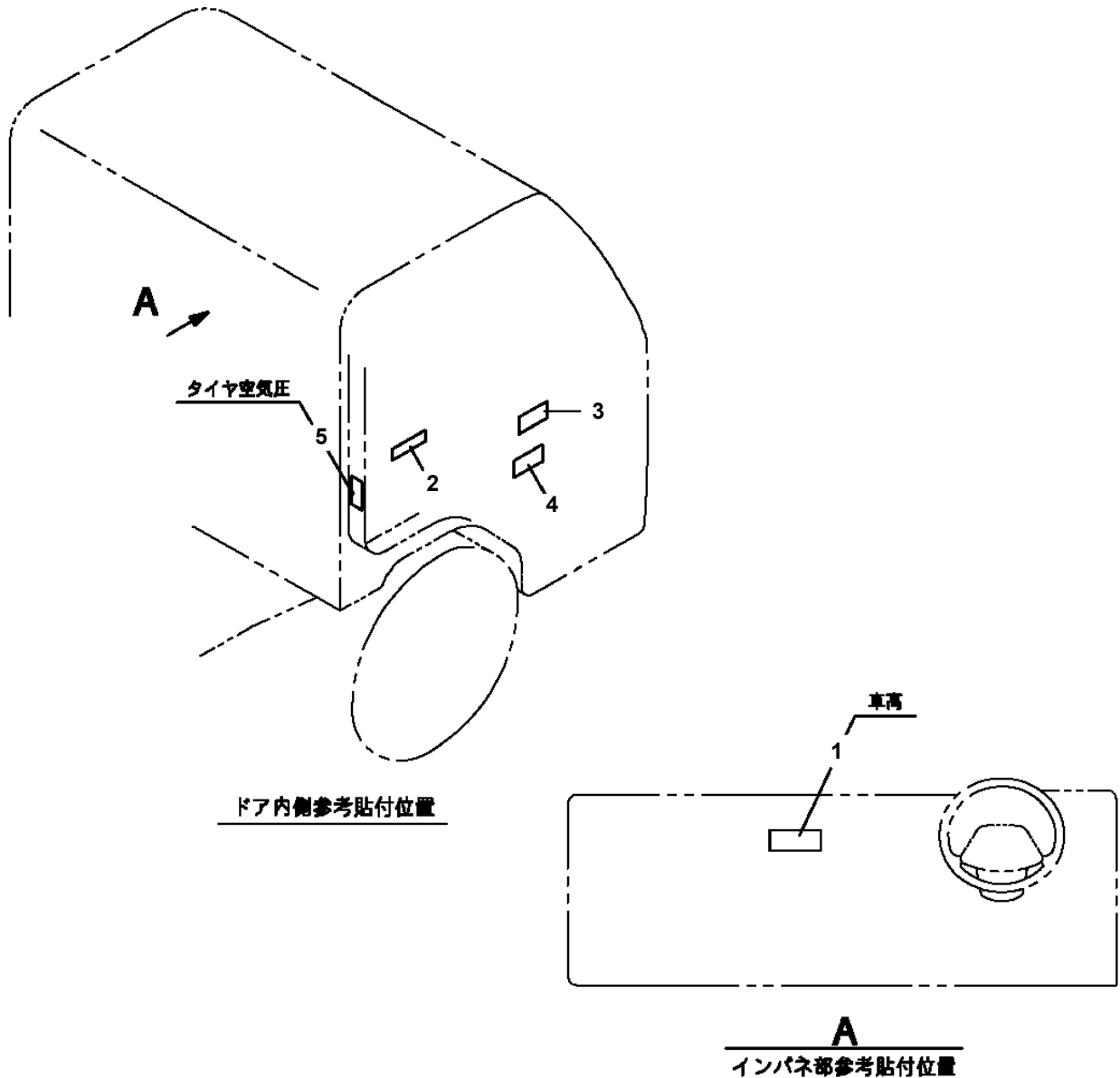
本機は日本国内の規格や法規に基づいた仕様になっています。
 (携帯/衛星通信端末含む)
 日本国外においては、本機がその国の規格や法規に適合することが
 確認されるまでは、使用、又は輸出しないでください。

This machine is Japanese specifications,
 conforming to Japanese laws and standards.
 (Including mobile / satellite
 communication system)
 When using the machine outside Japan,
 make sure that it conforms to the laws and
 standards of the area beforehand and
 observe laws and regulations there.

343-988-87400



AT-121-3 43007332251 UPPER,LOWER,HINO TKG-XZU600E-TKTQC6
 PO1014962-02 PLATE ASSY,NAME (IN CAB)



1
 車高 3.2^m

3
警告
 ○作業時にはパーキングブレーキを引いてください。
 ○作業時にはシフトレバーを下記にしてください。
 ・マニュアル車は「N」中立
 ・オートマチック車は「P」パーキング
 ○作業終了時にはPTOを留めてください。

2
ラジオアンテナ張出し注意
 アンテナを全伸にすると、デッキやブームと干渉します。
 伸ばしすぎに注意してください。

4
注意
 ○パーキングブレーキを引かないでPTOを入れるとブザーが鳴ります。
 ○シフトレバーをマニュアル車は中立（オートマチック車はP）にしないでPTOを入れるとブザーが鳴ります。

5

タイヤ空気圧 kPa (kgf/cm ²)	前輪	後輪
195/85R16	600	600
114/112L	(6.00)	(6.00)
205/80R17.5	600	600
120/118L	(6.00)	(6.00)
205/80R16	600	600
117/118L	(6.00)	(6.00)
215/70R17.5	775	775
123/121J	(7.75)	(7.75)
215/85R16	600	600
120/118L	(6.00)	(6.00)
225/70R16	600	600
118/116L	(6.00)	(6.00)
225/80R16	600	600
121/119L	(6.00)	(6.00)
225/80R17.5	700	700
123/122L (14PRL)	(7.00)	(7.00)
7.00-16-12PRL	575	575
	(5.75)	(5.75)
7.50-16-10PRL	525	525
	(5.25)	(5.25)
7.50-16-12PRL	600	600
	(6.00)	(6.00)
7.50-16-14PRL	650	650
	(6.50)	(6.50)
7.50R16-12PRL	650	650
	(6.50)	(6.50)
7.50R16-14PRL	700	700
	(7.00)	(7.00)

○上記の空気圧を基準してください。
 370-002-24400

AT-121-3 43007332251 UPPER,LOWER,HINO TKG-XZU600E-TKTQC6

Pos No.	Parts No	Parts Name	Qty	Unit	Technical Data	Serial No (Start)	Serial No (End)	R
1	42321270100	SUPPORT	1				HJ4422	
	42321270101	SUPPORT	1			HJ4423		
2	42321270200	SUPPORT	1					
3	42321151001	COVER ASSY	1					
4	42321210400	COVER	1					
6	90101210035	BOLT	4		M10X35			
7	90302041001	WASHER,SPRING	10		10			
9	42321210600	SUPPORT	1				HJ4422	
	42321280100	SUPPORT	1			HJ4423		
10	90101208080	BOLT	1		M8X80			
11	90302040801	WASHER,SPRING	14		8			
12	90201200800	NUT	3		M8			
13	90101208020	BOLT	9		M8X20			
14	37000549940	PLATE	7		T=3.2			
15	42356400030	PLATE	3					
16	37000547660	PLATE	6		T=2.3			
17	90172108080	BOLT,HEXAGON SOCKET	1		M8X80			
18	90101210020	BOLT	6		M10X20			
19	90101208030	BOLT	3		M8X30			
41	36742150000	VALVE ASSY,REMOTE CONTROL	1					
42	80303130161	FITTING,ELBOW	2		KLO12-030E			
43	37000925870	JOINT	2		PF1/2-PF3/8			
44	91002801800	O-RING	8		1B P18			
45	80302090151	FITTING	4		KCO12-040N			
46	37000925660	JOINT	1		S,G3/4-G1/2			
47	80302090251	FITTING	1		KCO018-060N			
48	91002802400	O-RING	2		1B P24			
50	80302090201	FITTING	1		KCO15-040N			
51	80303130201	FITTING,ELBOW	1		KLO15-040E			
61	36742170000	VALVE ASSY (JACK CONTROL)	1					
62	80302090141	FITTING	4		KCO12-020N			
63	91002801100	O-RING	9		1B P11			
64	80302090231	FITTING	1		KCO18-030N			
65	91002801400	O-RING	5		1B P14			
66	80302090181	FITTING	1		KCO15-030N			
67	80481702020	JOINT	1		L,G1/4-G1/4			
68	42343356020	FITTING	4		S,G1/4-12			
69	42645290500	ORIFICE	4		1.6			
70	80303130181	FITTING,ELBOW	1		KLO15-030E			

AT-121-3 43007332251 UPPER,LOWER,HINO TKG-XZU600E-TKTQC6

Pos No.	Parts No	Parts Name	Qty	Unit	Technical Data	Serial No (Start)	Serial No (End)	Remarks	Pages
1	81408000160	PIPE,STEEL	2	M	12X1.4T				
2	81408000160	PIPE,STEEL	2	M	12X1.4T				
3	81408000160	PIPE,STEEL	1	M	12X1.4T				
4	81408000160	PIPE,STEEL	1	M	12X1.4T				
5	37000711080	CLAMP ASSY	2		12-2				
6	37000300740	SLEEVE	4		18-12				
7	37000711430	CLAMP ASSY	1		18X4				
8	81408000160	PIPE,STEEL	1	M	12X1.4T				
9	81408000160	PIPE,STEEL	1	M	12X1.4T				
10	80303130161	FITTING,ELBOW	2		KLO12-030E				
11	80400160127	JOINT	4				HJ4627		
	80400160127	JOINT	2			HJ4628			
12	91002801100	O-RING	4		1B P11				
13	37002415760	HOSE	2		L=7290				
14	42347333000	SUPPORT	1						
15	90302040801	WASHER,SPRING	8		8				
16	80306010105	NUT	6		KKN12-000E				
17	90101208018	BOLT	8		M8X18				
18	80320010075	FITTING	2		KUD12-020N				
19	42347332000	ROLLER ASSY	1						
20	42347331000	SHEAVE ASSY	1						
21	90203201200	NUT	4		M12				
22	90303071201	WASHER,PLAIN	4		12				
23	37000312510	SPACER	2		L=27.5				
24	90102212120	BOLT	2		M12X120				
25	90201201200	NUT	2		M12				
26	90302041201	WASHER,SPRING	2		12				
27	80320020075	FITTING	2		KUF12-020N				
28	81408000160	PIPE,STEEL	1	M	12X1.4T				
29	81408000160	PIPE,STEEL	1	M	12X1.4T				
30	80305010100	FITTING,TEE	2		KTA12-000N				
31	37000922870	JOINT	2				HJ4627		
	37000934260	JOINT	2			HJ4628			
32	37002413200	HOSE	1		L=680		HJ4627		
	37012409060	HOSE	1		L=670	HJ4628			
33	37002410430	HOSE	1		L=630		HJ4627		
	37012409070	HOSE	1		L=600	HJ4628			
35	37002485420	HOSE	1		L=460				
36	37002485410	HOSE	1		L=460				
37	80309010105	SLEEVE	6		KK012-000E				
38	37000714020	CLAMP ASSY	1		12X2				
39	91810132530	FASTENER	1						
40	91000501100	O-RING	4			HJ4628			
41	80461002216	JOINT	2			HJ4628			
51	91002801400	O-RING	2		1B P14				
64	91810130230	FASTENER	6						
71	42347332100	SUPPORT	1						
72	37010101740	PIN	1		8				
73	42347332010	ROLLER	2						
74	90303100801	WASHER,PLAIN	4		8				
75	80136320016	PIN,SPLIT	2		2X16				
91	42347331100	SHEAVE	1						
92	42346462200	PIN	1		27.2X2.8				
93	80136363050	PIN,SPLIT	2		6.3X50				

AT-121-3 43007332251 UPPER,LOWER,HINO TKG-XZU600E-TKTQC6

Pos No.	Parts No	Parts Name	Qty	Unit	Technical Data	Serial No (Start)	Serial No (End)	Remarks
1	42654793200	SUPPORT	2					
2	90101208014	BOLT	4		M8X14			
3	90302040801	WASHER,SPRING	4		8			
4	90101206010	BOLT	14		M6X1.0			
5	90302040601	WASHER,SPRING	14		6			
6	34354781710	RELAY (WITH BRACKET)	14					
7	82161324080	RELAY	1					
8	80197585012	SCREW,MACHINE	1		M5X12			
9	82161300010	RELAY	1					
10	91810132530	FASTENER	5					

AT-121-3 43007332251 UPPER,LOWER,HINO TKG-XZU600E-TKTQC6

Pos No.	Parts No	Parts Name	Qty	Unit	Technical Data	Serial No (Start)	Serial No (End)
1	82105900060	SWITCH,TOGGLE	1				
2	82105220193	SWITCH,TOGGLE	1				
3	82105900010	SWITCH,TOGGLE	1				
10	42509311100	SWITCH ASSY (WITH HARNESS,3 SW)	1				

AT-121-3 43007332251 UPPER,LOWER,HINO TKG-XZU600E-TKTQC6

Pos No.	Parts No	Parts Name	Qty	Unit	Technical Data	Serial No (Start)	Serial No (End)	Remarks	Pa
1	44550527580	SWITCH,MICRO	1						
2	44550527570	COVER	1						
3	44350247560	SPRING (FOR PEDAL)	1						
4	82109901050	PEDAL	1						
5	82109905010	PACKING	1						
6	44350247580	PLATE (WITH SCREW)	1						
100	44350240100	SWITCH ASSY	1						

AT-121-3 43007332251 UPPER,LOWER,HINO TKG-XZU600E-TKTQC6

Pos No.	Parts No	Parts Name	Qty	Unit	Technical Data	Serial No (Start)	Serial No (End)	Remarks	Page
5	91002902500	O-RING	4		1B G25				
8	80316090020	PLUG	4		KKT PT1/8				
9	36606975020	PLUG	1						
10	91002801400	O-RING	1		1B P14				
12	16066241000	SPRING	1						
100	36606970000	VALVE ASSY,RELIEF	1						

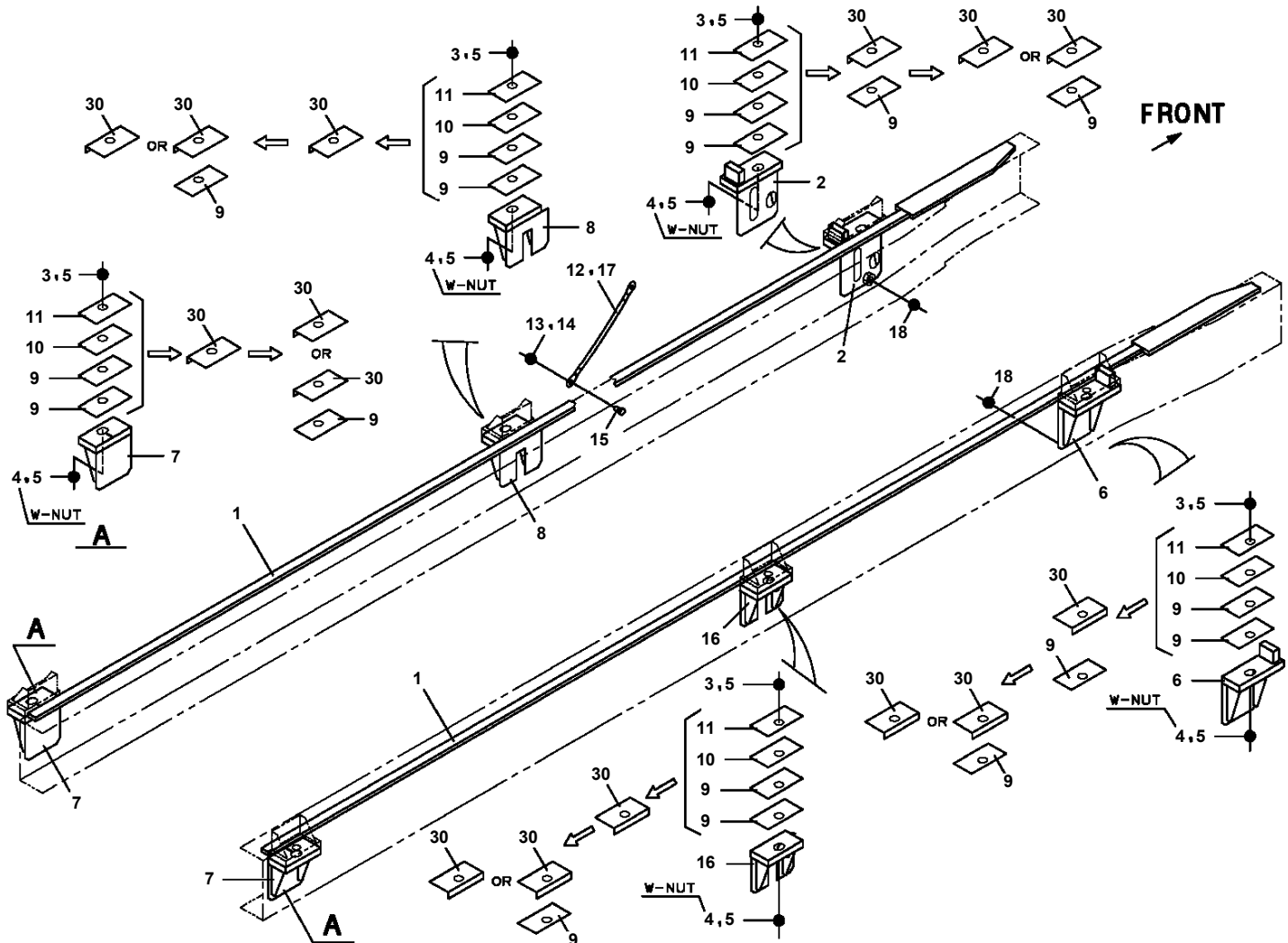
AT-121-3 43007332251 UPPER,LOWER,HINO TKG-XZU600E-TKTQC6

Pos No.	Parts No	Parts Name	Qty	Unit	Technical Data	Serial No (Start)	Serial No (End)	Remarks	Pages
2	42461050200	STOPPER,TIRE	1						

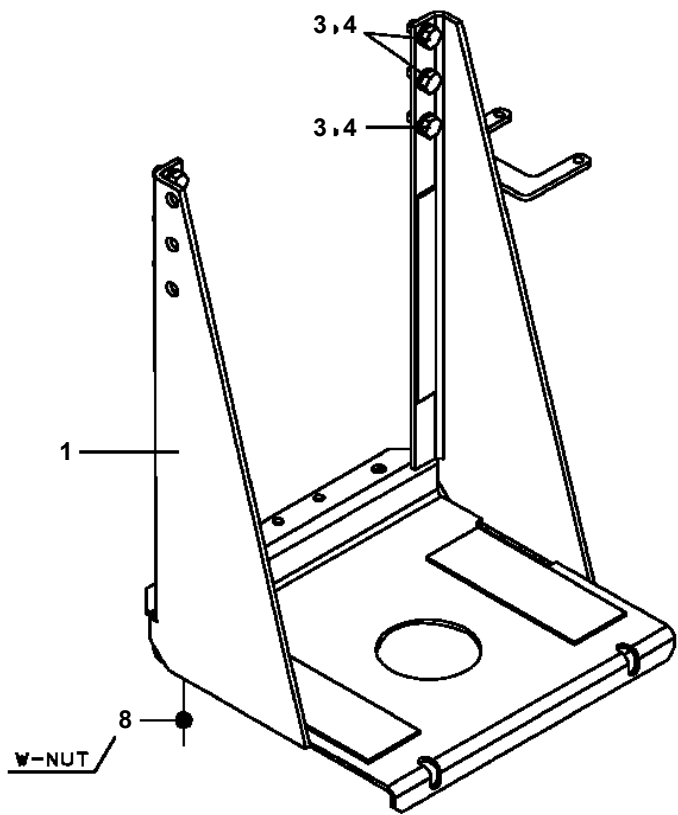
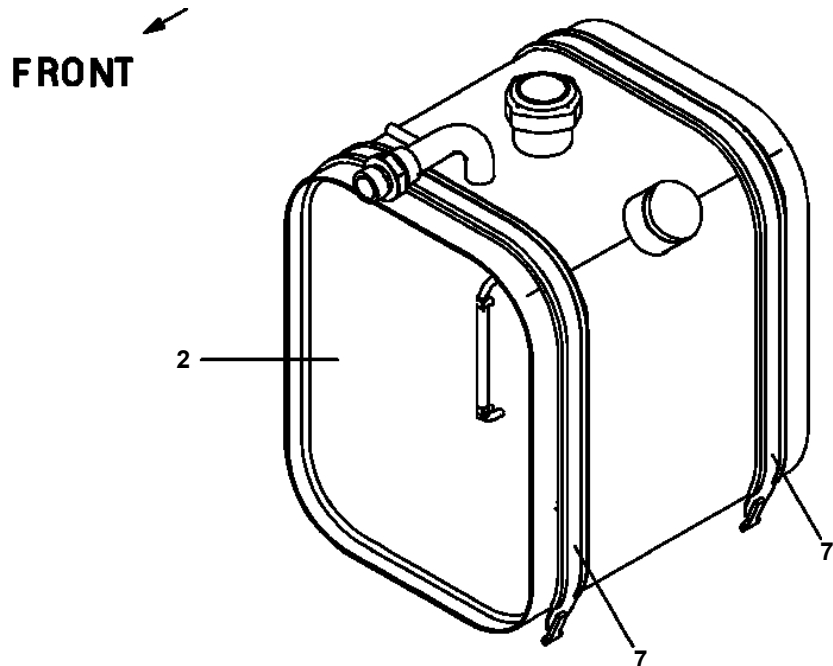
AT-121-3 43007332251 UPPER,LOWER,HINO TKG-XZU600E-TKTQC6

Pos No.	Parts No	Parts Name	Qty	Unit	Technical Data	Serial No (Start)	Serial No (End)	Remarks	Pages
1	42972500100	SUPPORT	1						
2	42972500200	SUPPORT	1						
3	42972500300	SUPPORT	1						
4	42972500400	SUPPORT	1						
5	90101210025	BOLT	16		M10X25				
6	90302041001	WASHER,SPRING	16		10				
7	90201201000	NUT	14		M10				
8	37000505950	PLATE	11		T=3.2				
9	90303071001	WASHER,PLAIN	8		10				
10	90201200800	NUT	3		M8				
11	90302040801	WASHER,SPRING	3		8				
12	90303070801	WASHER,PLAIN	3		8				
13	90155308020	BOLT,WELD	3		M8X20				

**AT-121-3 43007332251 UPPER,LOWER,HINO TKG-XZU600E-TKTQC6
PX5360043-02 MOUNT ASSY,FRAME**



AT-121-3 43007332251 UPPER,LOWER,HINO TKG-XZU600E-TKTQC6
PX5760011-00 MOUNT ASSY,TANK SUPPORT



AT-121-3 43007332251 UPPER,LOWER,HINO TKG-XZU600E-TKTQC6

Pos No.	Parts No	Parts Name	Qty	Unit	Technical Data	Serial No (Start)
1	(*****)	LAMP ASSY (LOWER O/R OPERATION)	1			
2	(*****)	LAMP ASSY,WORKING (BASKET:HALOGEN)	1			
3	(*****)	SAFETY ASSY (BASKET TOUCH SWITCH/WIRE)	1			
4	(*****)	SWITCH ASSY (INTERFERENCE PREVENTION CANCEL)	1			
5	(*****)	COVER ASSY (HOSE OF SWING TABLE)	1			
6	(*****)	COVER ASSY (SWING MOTOR)	1			
7	(*****)	COVER ASSY (FRAME PEDESTAL)	1			
8	(*****)	COVER ASSY (OUTRIGGER JACK)	1			
9	(*****)	GUARD ASSY (BUCKET CONTROL SWITCH)	1			
10	(*****)	NAME PLATE ASSY (UNDER5)	1			
11	(*****)	LAMP ASSY (MARKER LAMP/YELLOW)	1			
13	(*****)	GUARD ASSY (BASKET)	1			
14	(*****)	NAME PLATE ASSY (UPPER/IDLING STOP)	1			
15	(*****)	LAMP ASSY,WORKING (BASKET:LED)	1			
16	(*****)	FLOAT ASSY	1			
18	(*****)	NAME PLATE ASSY (BUSKET:WORKING RANGE CHART)	1			
19	(*****)	MODIFICATION ASSY (YELLOW MARKER LAMP/LED)	1			
20	(*****)	NAME PLATE ASSY (NON-SLIP/YELLOW)	1			
41	(*****)	ELEC.ASSY (JACK HORIZONTAL)	1			
42	(*****)	NAME PLATE ASSY (JACK HORIZONTAL)	1			

CLICK HERE TO **DOWNLOAD** THE COMPLETE MANUAL

- Thank you very much for reading the preview of the manual.
- You can download the complete manual from: www.heydownloads.com by clicking the link below



- Please note: If there is no response to CLICKING the link, please download this PDF first and then click on it.

CLICK HERE TO **DOWNLOAD** THE COMPLETE MANUAL