

**AT-120S-1 42081120500 LOWER,MITSUBISHI KK-FE73EC 6KA1**

PO1000149-00 INDICATION PLATES

PX1000419-03 MOUNTING PARTS

PY1000738-01 OPTIONS,1

ASSEMBLY

CLICK HERE TO **DOWNLOAD** THE COMPLETE MANUAL

- Thank you very much for reading the preview of the manual.
- You can download the complete manual from: [www.heydownloads.com](http://www.heydownloads.com) by clicking the link below

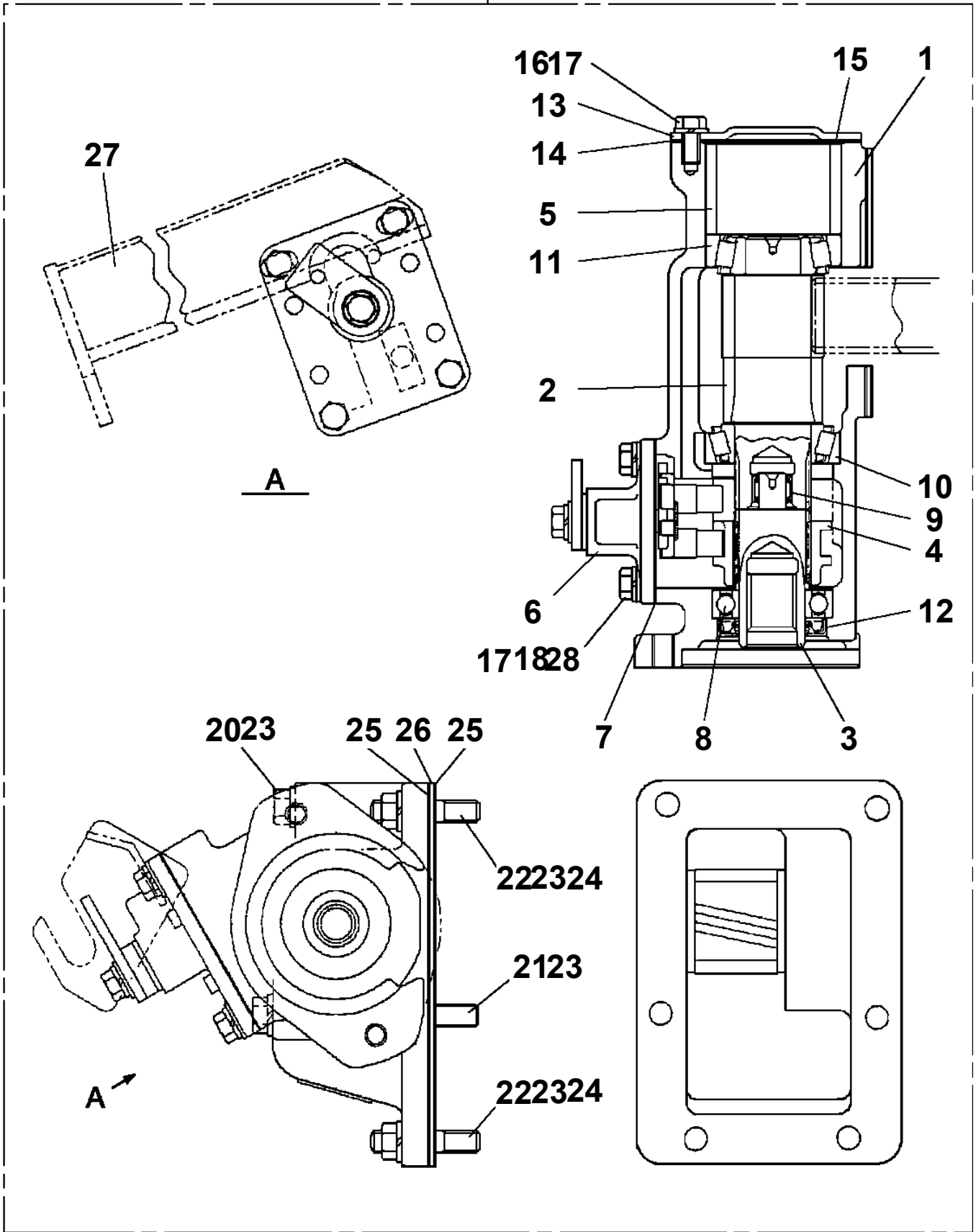


- Please note: If there is no response to CLICKING the link, please download this PDF first and then click on it.

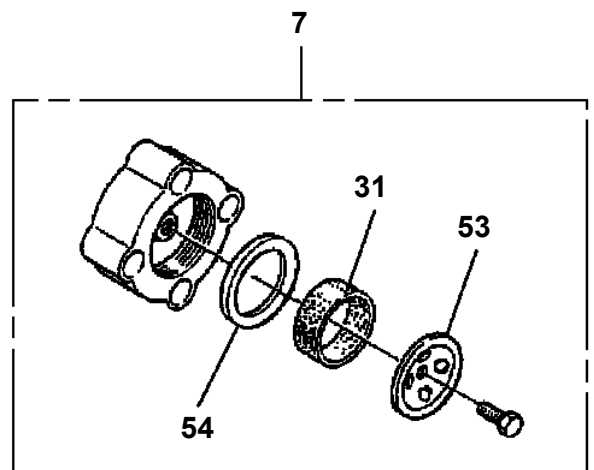
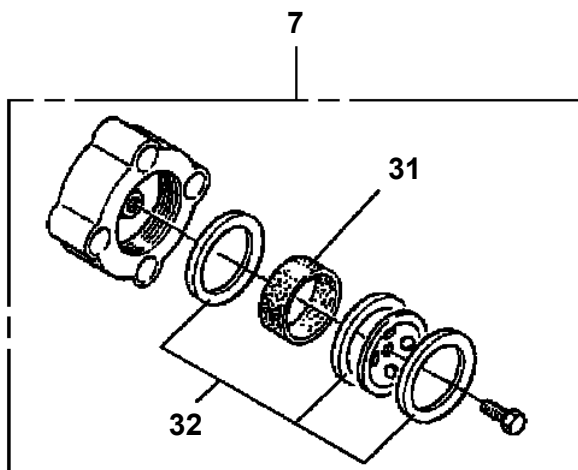
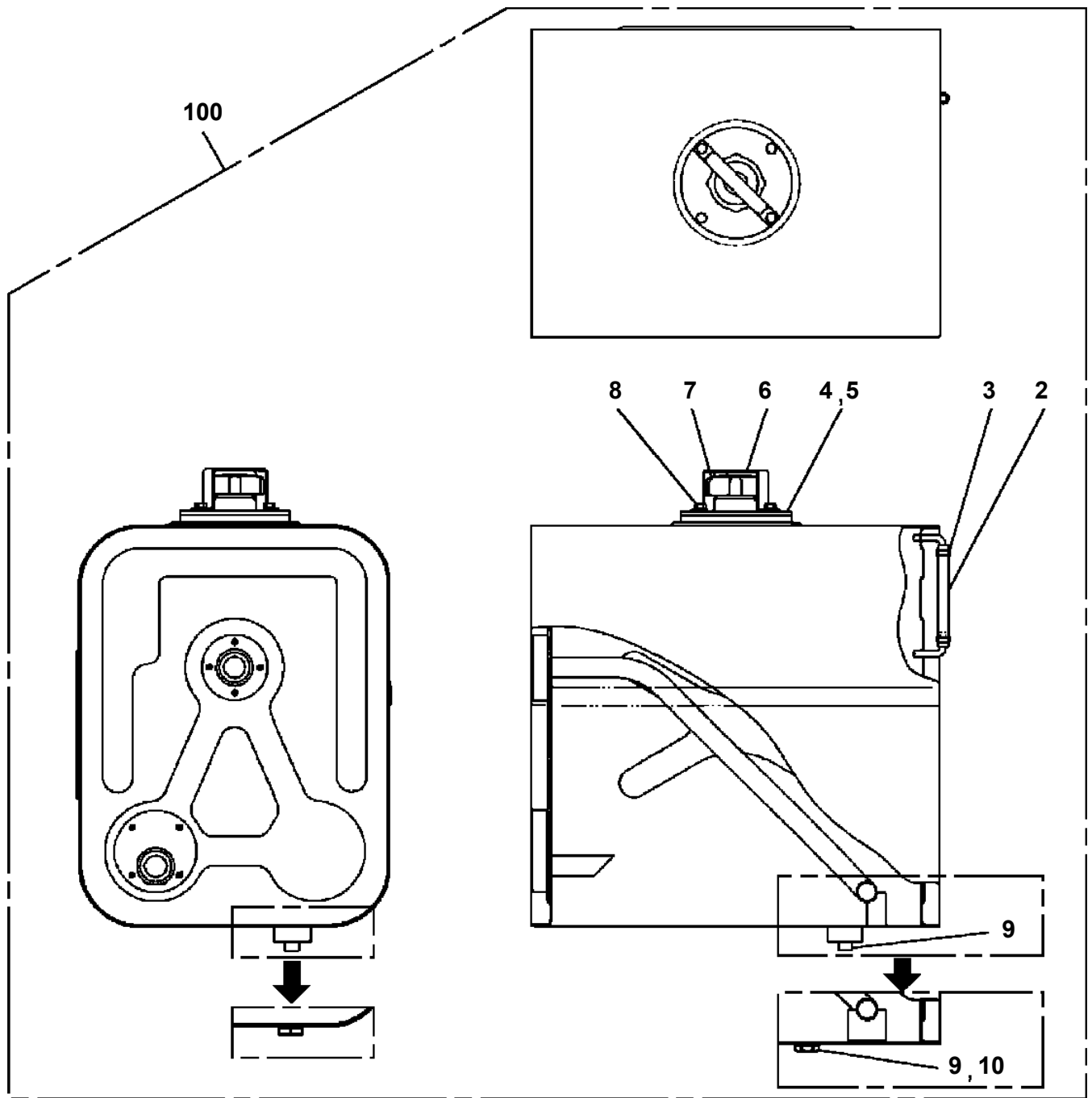
CLICK HERE TO **DOWNLOAD** THE COMPLETE MANUAL

AT-120S-1 42081120500 LOWER, MITSUBISHI KK-FE73EC 6KA1  
PB1030194-00 POWER TAKE OFF

100



AT-120S-1 42081120500 LOWER, MITSUBISHI KK-FE73EC 6KA1  
PB1130185-02 TANK, OIL



# AT-120S-1 42081120500 LOWER, MITSUBISHI KK-FE73EC 6KA1

Pos No.	Parts No	Parts Name	Qty	Unit	Technical Data	Serial No (Start)	Serial No (End)	Remarks	Pages
100	42933550400	HARNESS	1						

**AT-120S-1 42081120500 LOWER,MITSUBISHI KK-FE73EC 6KA1**

Pos No.	Parts No	Parts Name	Qty	Unit	Technical Data	Serial No (Start)	Serial No (End)	Remarks
1	36672285010	HEAD ASSY	1					
2	36670109511	FILTER,CARTRIDGE	1				HA6887	
	36672580000	FILTER,CARTRIDGE	1			HA6888		
10	36672280000	FILTER,OIL (YAMASHIN)	1					

# AT-120S-1 42081120500 LOWER,MITSUBISHI KK-FE73EC 6KA1

Pos No.	Parts No	Parts Name	Qty	Unit	Technical Data	Serial No (Start)	Serial No (E
1	42943330010	PLATE,NAME	3				
2	37002202100	PLATE,NAME (OUTRIGGER LEFT)	1				
3	37002202090	PLATE,NAME (OUTRIGGER LEFT)	1				
4	37002202080	PLATE,NAME (OUTRIGGER RIGHT)	1				
5	37002202070	PLATE,NAME (OUTRIGGER RIGHT)	1				
6	37002202060	PLATE,NAME (OUTRIGGER)	1				
7	42392584020	PLATE,NAME	1				
8	42392584010	PLATE,NAME	1				
9	31642171550	PLATE,NAME	3				
10	42392350150	PLATE,CAUTION	1				
11	42942152070	PLATE,CAUTION	1				
12	42392672020	PLATE,CAUTION	1				
13	42943330020	PLATE,NAME (FUSE)	1				
14	37002217330	PLATE,CAUTION (TADANO HYDRAULIC)	1				
15	42940170010	PLATE,NAME	1				
16	42392584040	PLATE	1				
17	37002203600	PLATE,NAME	1				
18	12117140000	PLATE,NAME (GREASE)	2				
19	42940280010	PLATE,NAME (3.25M)	1				
20	42942152130	PLATE,CAUTION	1				
21	37002221080	PLATE,CAUTION	1				
22	37002220410	PLATE,CAUTION	1				
23	42475910010	PLATE,NAME	1				
24	42942580030	PLATE,CAUTION	1				
25	42942580040	PLATE,NAME	1				
26	34393926540	PLATE (NON-SLIP)	2				
28	37002224450	PLATE,NAME	1				

# AT-120S-1 42081120500 LOWER,MITSUBISHI KK-FE73EC 6KA1

Pos No.	Parts No	Parts Name	Qty	Unit	Technical Data	Serial No (Start)	Serial No (End)	Remarks	Pages
1	42773221000	GUARD,SIDE	1						
2	42773222000	GUARD,SIDE	1						
3	42773223000	GUARD,SIDE	1						
4	42773224000	GUARD,SIDE	1						
5	90303071001	WASHER,PLAIN	12		10				
6	90101210020	BOLT	10		M10X20				
7	90101210030	BOLT	8		M10X30				
8	90201201000	NUT	14		M10				
9	90302041001	WASHER,SPRING	20		10				
10	90101210025	BOLT	2		M10X25				

CLICK HERE TO **DOWNLOAD** THE COMPLETE MANUAL

- Thank you very much for reading the preview of the manual.
- You can download the complete manual from: [www.heydownloads.com](http://www.heydownloads.com) by clicking the link below



- Please note: If there is no response to CLICKING the link, please download this PDF first and then click on it.

CLICK HERE TO **DOWNLOAD** THE COMPLETE MANUAL