

AT-120-1 42024130100 LOWER,HINO KC-BU102E

PX1000557-01 MOUNTING PARTS

PY1000702-00 OPTIONS,1

PY1000708-00 OPTIONS,2

ASSEMBLY

CLICK HERE TO **DOWNLOAD** THE COMPLETE MANUAL

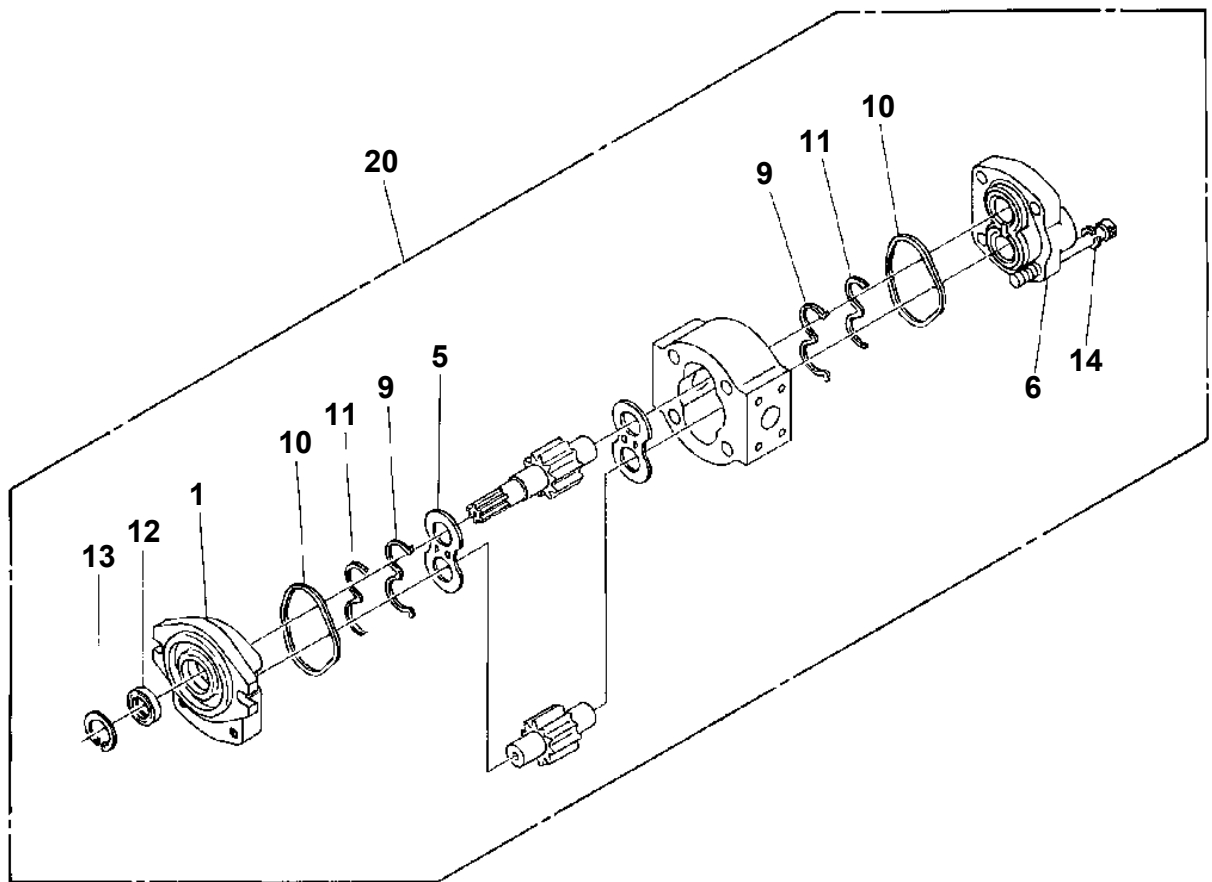
- Thank you very much for reading the preview of the manual.
- You can download the complete manual from: www.heydownloads.com by clicking the link below



- Please note: If there is no response to CLICKING the link, please download this PDF first and then click on it.

CLICK HERE TO **DOWNLOAD** THE COMPLETE MANUAL

AT-120-1 42024130100 LOWER,HINO KC-BU102E
PB1100006-00 PUMP,HYDRAULIC



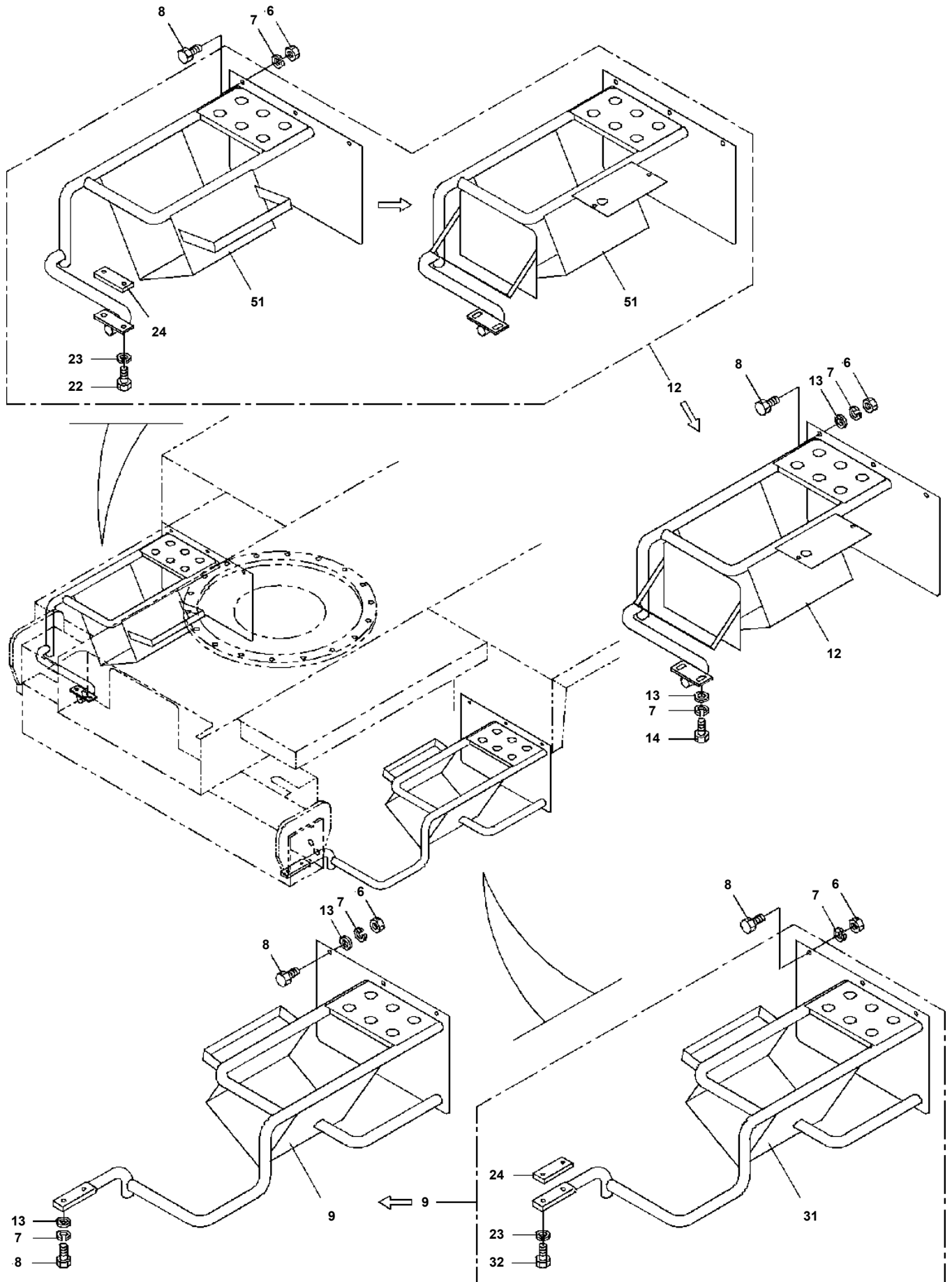
AT-120-1 42024130100 LOWER,HINO KC-BU102E

Pos No.	Parts No	Parts Name	Qty	Unit	Technical Data	Serial No (Start)	Serial No (End)	Remarks
1	36672285010	HEAD ASSY	1					
2	36670109511	FILTER,CARTRIDGE	1					
10	36672280000	FILTER,OIL (YAMASHIN)	1					

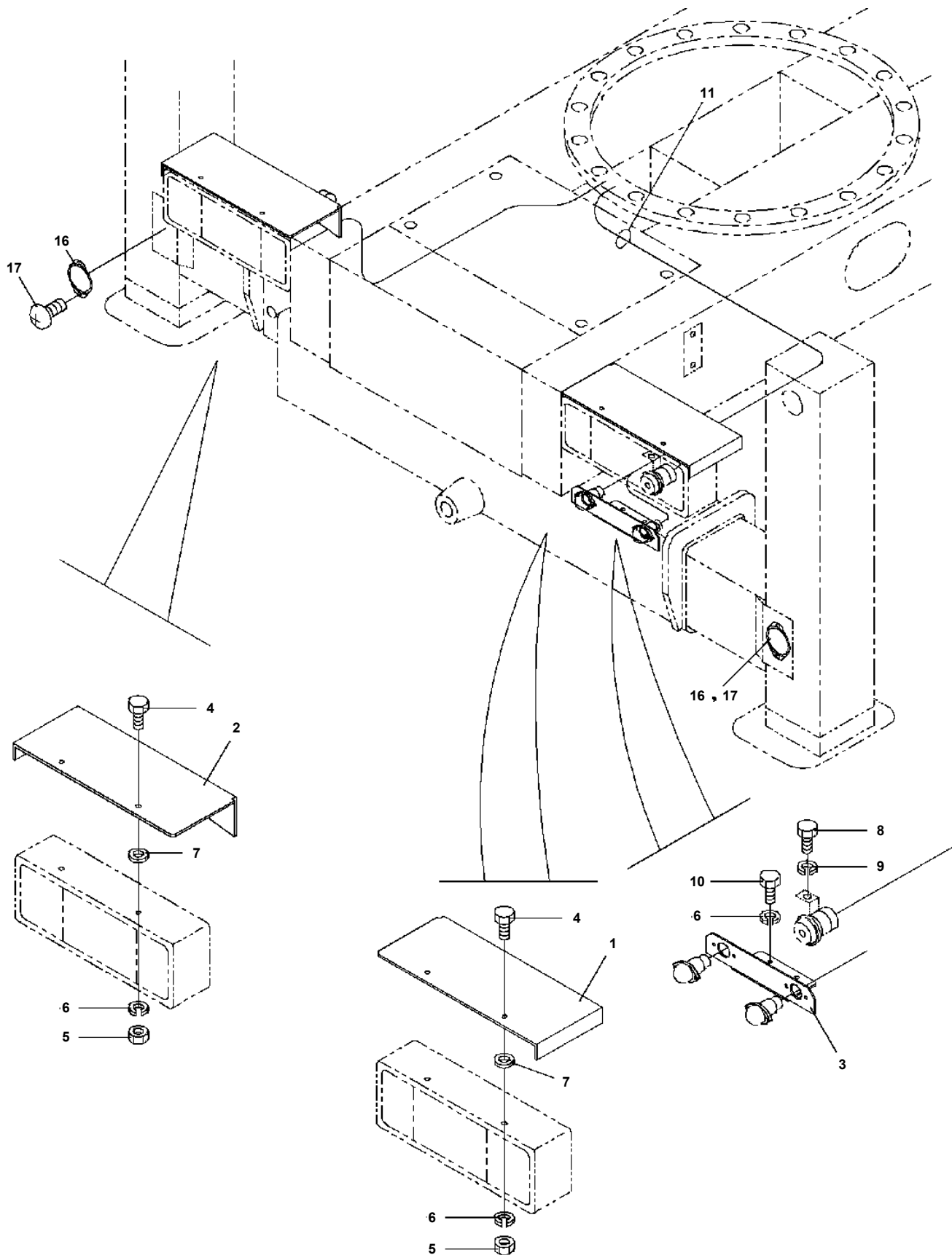
AT-120-1 42024130100 LOWER,HINO KC-BU102E

Pos No.	Parts No	Parts Name	Qty	Unit	Technical Data	Serial No (Start)	Serial No (End)	Rema
2	36160017530	WASHER,SPRING	1					
3	36160017540	WASHER,PLAIN	1					
4	36160017520	DRUM ASSY	1					
5	36160017550	HANDLE	1					
6	36160655020	SHAFT	1					
7	36160017560	WASHER,PLAIN	1					
8	36160017570	PLATE (RING)	1					
9	36160017580	CORD ASSY (MAIN)	1					
11	36160017590	PLATE (CONTACT)	1					
50	36160010000	REEL,CORD (FOR EARTHING)	1					

AT-120-1 42024130100 LOWER, HINO KC-BU102E PX1200153-01 SIDE GUARD INSTALLATION



**AT-120-1 42024130100 LOWER,HINO KC-BU102E
PX1310037-01 MOUNT,LAMP (TAIL)**



IF THE CABLE LENGTH IS NOT ENOUGH,USE 12,13,14,15

AT-120-1 42024130100 LOWER,HINO KC-BU102E

Pos No.	Parts No	Parts Name	Qty	Unit	Technical Data	Serial No (Start)	Serial No (End)	Remarks	Pages
1	37001601660	NUT	2		M14/B=41				

CLICK HERE TO **DOWNLOAD** THE COMPLETE MANUAL

- Thank you very much for reading the preview of the manual.
- You can download the complete manual from: www.heydownloads.com by clicking the link below



- Please note: If there is no response to CLICKING the link, please download this PDF first and then click on it.

CLICK HERE TO **DOWNLOAD** THE COMPLETE MANUAL