

AT-115S-1 42053141313 UPPER,LOWER,ISUZU KK-NPR72GY

**PD2000021-01 SWING UNIT
PG2000030-00 BOOM UNIT
PH1000462-00 SAFETY DEVICES (AMC)
PJ3000187-00 PLATFORM SYSTEM
PK2000099-01 FRAME UNIT
PO1000149-00 INDICATION PLATES
PW1000118-00 ACCESSORIES & TOOLS
PX2000022-01 CARRIER UNIT
PX3000025-03 MOUNTING UNIT
PY1001764-00 OPTIONS
ASSEMBLY**

CLICK HERE TO **DOWNLOAD** THE COMPLETE MANUAL

- Thank you very much for reading the preview of the manual.
- You can download the complete manual from: www.heydownloads.com by clicking the link below



- Please note: If there is no response to CLICKING the link, please download this PDF first and then click on it.

CLICK HERE TO **DOWNLOAD** THE COMPLETE MANUAL

AT-115S-1 42053141313 UPPER,LOWER,ISUZU KK-NPR72GY

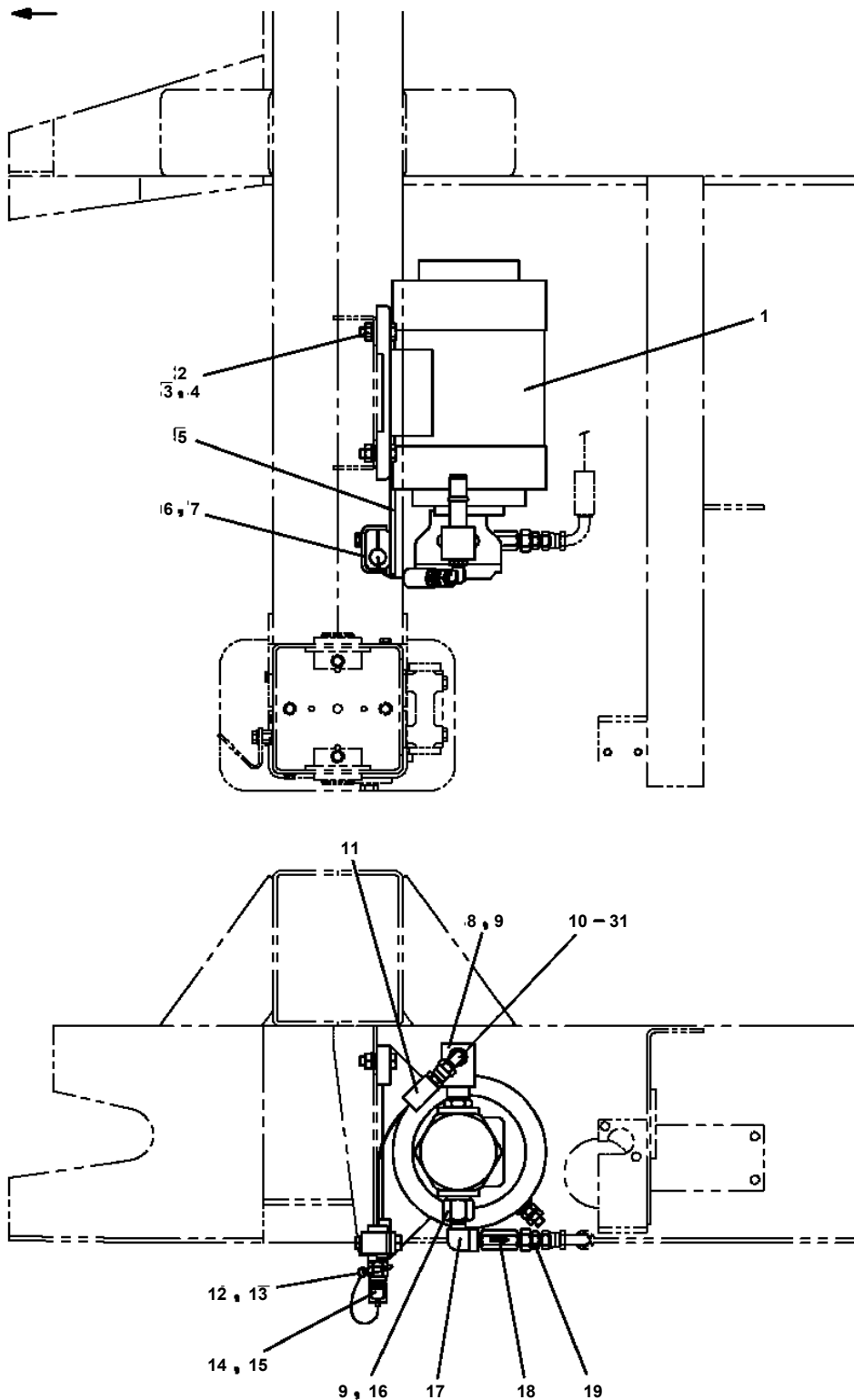
Pos No.	Parts No	Parts Name	Qty	Unit	Technical Data	Serial No (Start)	Serial No (End)	Remarks	Pa
1	(*****)	OUTRIGGER (FRONT)	1						000
2	(*****)	OUTRIGGER (REAR)	1						000
3	(*****)	OPE.ASSY,OUTRIGGER	1						000
4	(*****)	PIPING,OUTRIGGER	1						000
5	(*****)	FRAME	1						000
6	(*****)	COVER,BEARING	1						000
7	(*****)	ELEC.ASSY (FRAME.1)	1						000
10	(*****)	ELEC.ASSY (FRAME.2)	1						000

AT-115S-1 42053141313 UPPER,LOWER,ISUZU KK-NPR72GY

Pos No.	Parts No	Parts Name	Qty	Unit	Technical Data	Serial No (Start)	Serial No (End)	Remark
1	(*****)	MODIFICATION ASSY (AMC)	1					
2	42479420100	SUPPORT	1					
3	(*****)	LAMP (O/R)	1					

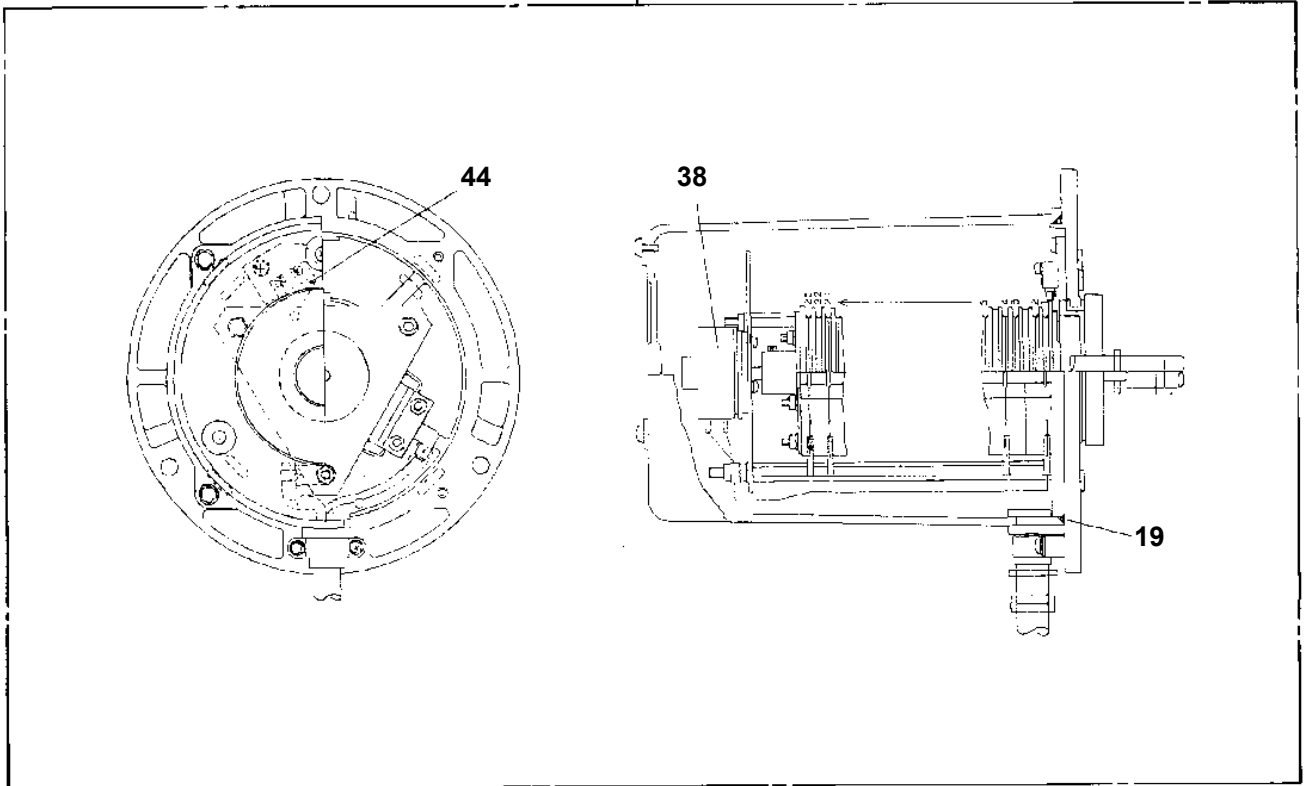
AT-115S-1 42053141313 UPPER,LOWER,ISUZU KK-NPR72GY
PB1100215-00 PUMP,HYDRAULIC (MOUNT,EMERGENCY)

FRONT ←



AT-115S-1 42053141313 UPPER,LOWER,ISUZU KK-NPR72GY
PB1310011-00 BRUSH,ROTARY JOINT

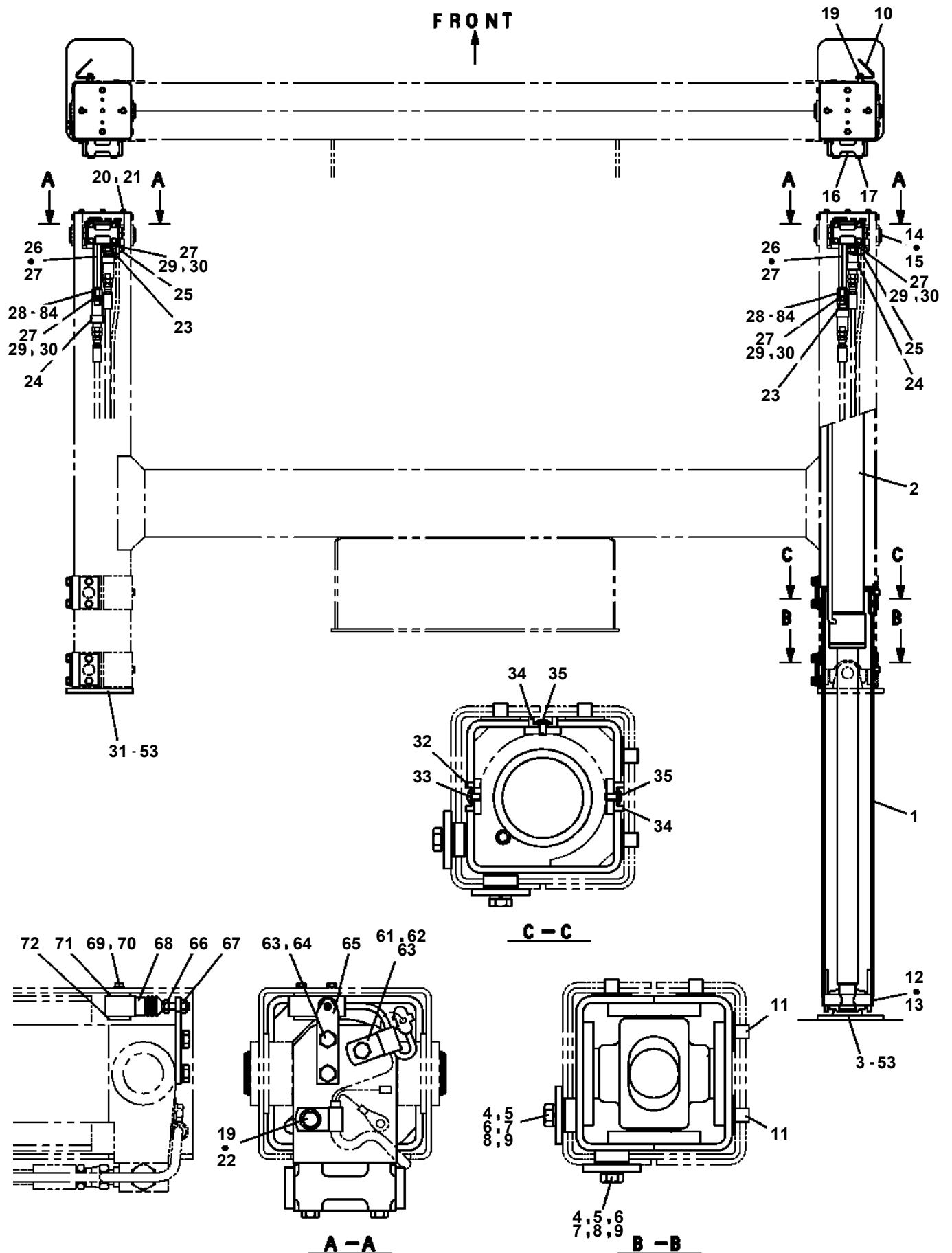
50



AT-115S-1 42053141313 UPPER,LOWER,ISUZU KK-NPR72GY

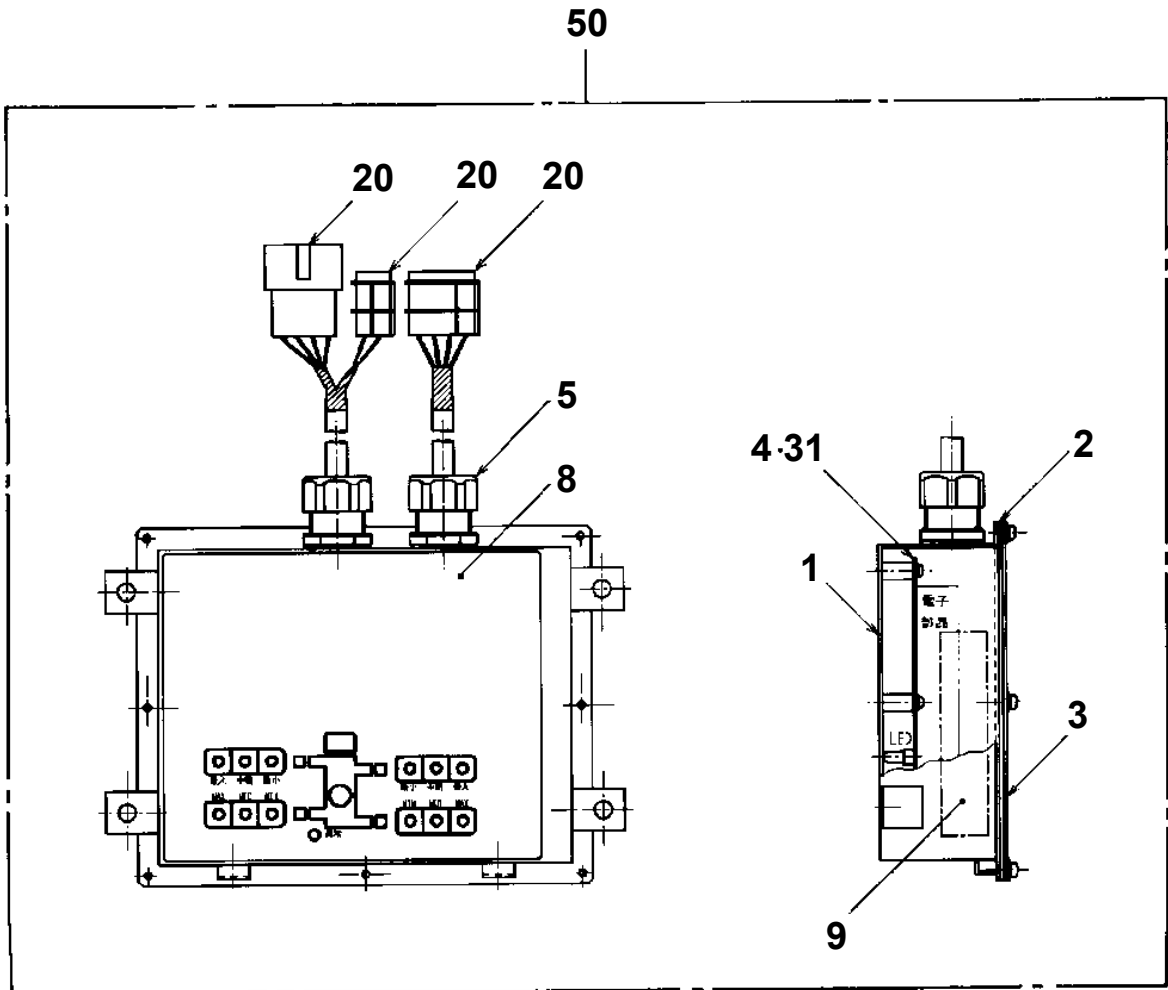
Pos No.	Parts No	Parts Name	Qty	Unit	Technical Data	Serial No (Start)	Serial No (End)	Remarks
91	36636435090	SHIM (T=0.3)	1					
92	36636435100	SHIM (T=0.5)	1					
93	36636435110	SHIM (T=0.7)	1					
105	36635045040	RETAINER (VALVE)	4					
108	13115102010	RETAINER (SEAL)	8					
109	36630875070	END,SPOOL	4					
110	13115102030	CASE (BALL)	4					
111	80560005000	BALL,STEEL	8		5			
112	13115102050	RETAINER (BALL)	4					
113	13115102040	SPRING	4					
114	36630875080	COVER (SPRING)	4					
116	90131506015	BOLT,HEXAGON SOCKET	8		M6X15			
117	90131506025	BOLT,HEXAGON SOCKET	8		M6X25			
200	36637490000	VALVE,MANUAL CONTROL	1					

**AT-115S-1 42053141313 UPPER,LOWER,ISUZU KK-NPR72GY
PC1010886-01 OUTRIGGER (FRONT)**



AT-115S-1 42053141313 UPPER,LOWER,ISUZU KK-NPR72GY
PC1190014-00 INDICATOR,OUTRIGGER

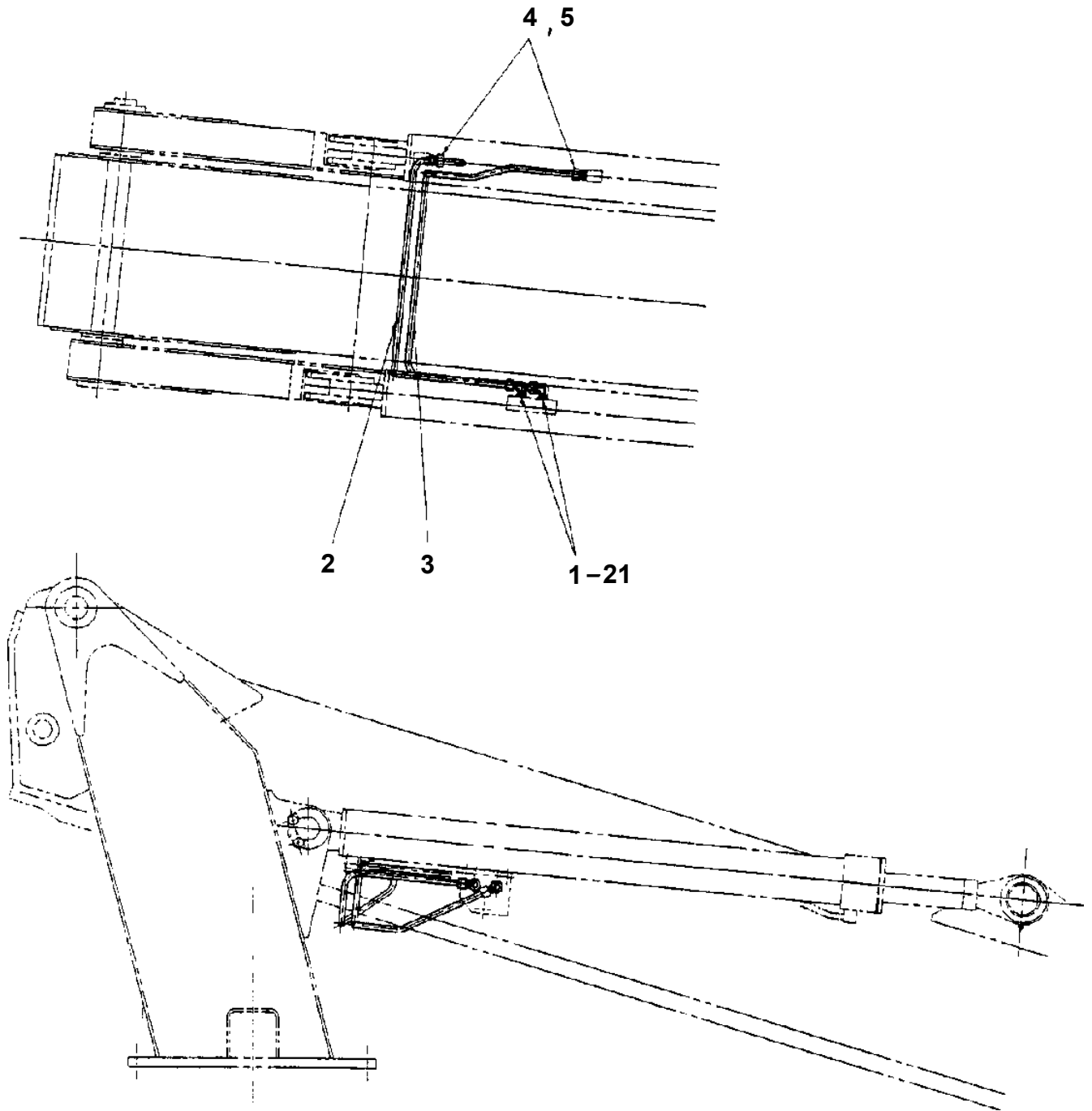
Assembly Name INDICATOR, OUTRIGGER



AT-115S-1 42053141313 UPPER,LOWER,ISUZU KK-NPR72GY

Pos No.	Parts No	Parts Name	Qty	Unit	Technical Data	Serial No (Start)	Serial No (End)	Rema
2	37001505390	BOLT	25		M20X80			
3	37001500560	BOLT	12		M18X55			
4	90171116040	BOLT	4		M16X40			
5	90302041601	WASHER,SPRING	4		16			
6	36081080000	REDUCER,SWING SPEED	1					
7	91001208500	O-RING	1		1A G85			
8	90174112035	BOLT	2		M12X35			
9	90302041201	WASHER,SPRING	2		12			
10	36662600000	MOTOR,HYDRAULIC (SWING)	1					
11	42300340100	SUPPORT	1					
12	42300810100	SHIM	1		T=1.2	HA5413		
21	37002302810	BEARING,SWING (NSK)	1					
22	37002304770	BEARING,SWING (KOYO)	1					

AT-115S-1 42053141313 UPPER,LOWER,ISUZU KK-NPR72GY
PE1200108-00 PIPING,ELEVATING



AT-115S-1 42053141313 UPPER,LOWER,ISUZU KK-NPR72GY

Pos No.	Parts No	Parts Name	Qty	Unit	Technical Data	Serial No (Start)	Serial No (End)	Remark
1	36015850000	CYLINDER ASSY	1					
2	90101210090	BOLT	3		M10X90			
3	36604150000	VALVE,COUNTERBALANCE	1					
4	36623810000	VALVE,CHECK	1					
21	36015851000	ROD	1					
22	91660006501	SEAL,DUST	1					
23	36014740200	COVER,ROD	1					
24	91002909500	O-RING	1		1B G95			
25	91301106500	BEARING,PLAIN	1					
26	91410206503	RING,BACKUP	1					
27	91694106500	PACKING	1					
28	91251100650	RING,DAMPER	1					
29	91411108500	RING,BACKUP	1		G85			
30	91002908500	O-RING	1		1B G85			
31	90750004121	SCREW,SET	1		M4X12			
32	36015852000	CYLINDER	1					
33	36014740300	PISTON	1					
34	91002903500	O-RING	1		1B G35			
35	91684008501	PACKING	2					
36	91411207002	RING,BACKUP	2					
37	91302208500	BEARING,PLAIN	2					
38	36014740400	NUT	1					
39	36014180200	PLATE	1					
52	80612110720	RING,RITAINING	1		AR72			
53	80801006530	BEARING,PLAIN	1					
72	37000159790	PIN	1				HA5542	
	37000186420	PIN	1			HA5543		
73	80601110500	RING,RITAINING	2		S50			
74	37000557720	PLATE	2					
75	37001100380	ROLLER ASSY	1					
76	37000303270	SPACER	2		L=9.5			
77	37000123030	PIN	1					
78	80601110200	RING,RITAINING	1		S20			
79	36014382700	GUIDE	2					
91	80516006204	BEARING,BALL	1					
92	80602110470	RING,RITAINING	1		R47			
100	36014749900	PACKING SET	1		65X85			

AT-115S-1 42053141313 UPPER,LOWER,ISUZU KK-NPR72GY

Pos No.	Parts No	Parts Name	Qty	Unit	Technical Data	Serial No (Start)	Serial No (End)	Remarks	Pages
1	42352411200	HARNESS	1						

AT-115S-1 42053141313 UPPER,LOWER,ISUZU KK-NPR72GY

Pos No.	Parts No	Parts Name	Qty	Unit	Technical Data	Serial No (Start)	Serial No (End)	Remarks	Pages
100	42352420030	HARNESS	1						

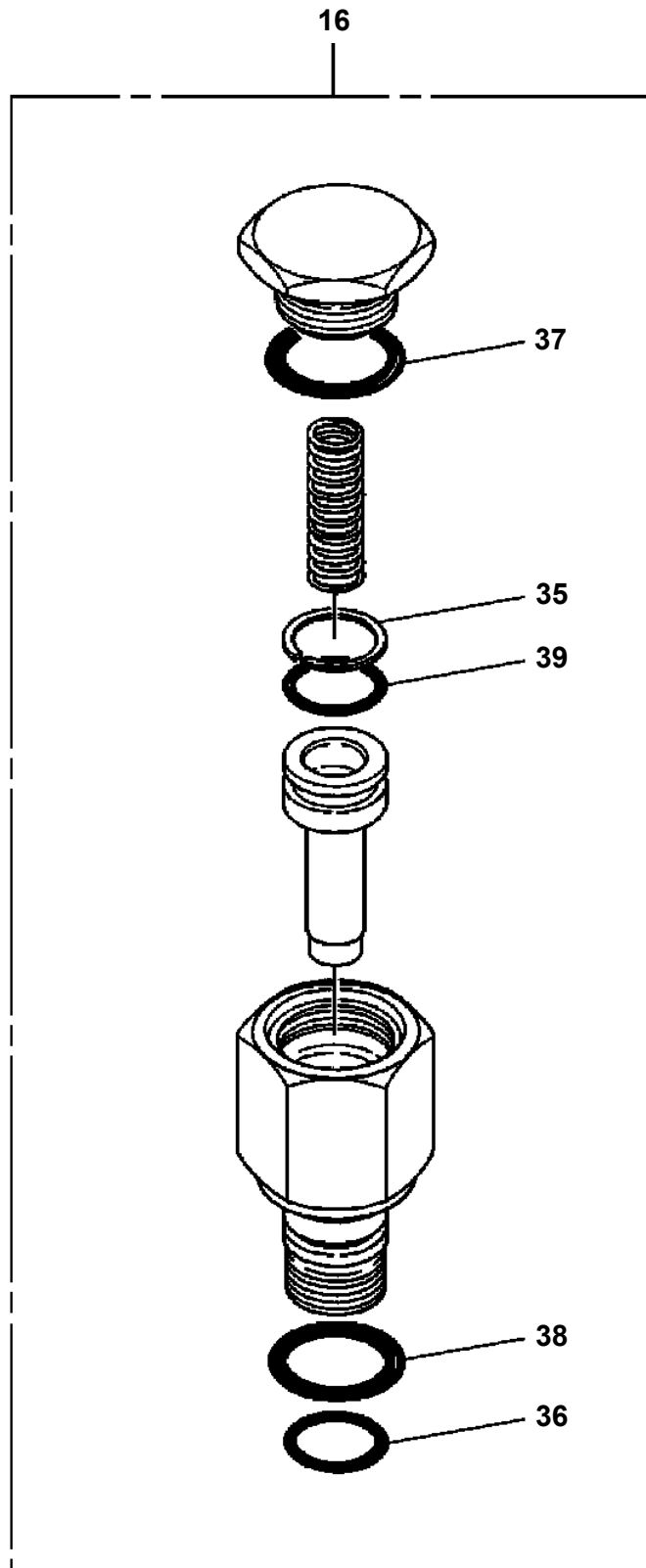
AT-115S-1 42053141313 UPPER,LOWER,ISUZU KK-NPR72GY

Pos No.	Parts No	Parts Name	Qty	Unit	Technical Data	Serial No (Start)	Serial No (End)	Remarks	Pages
100	42477390200	HARNESS	1						

AT-115S-1 42053141313 UPPER,LOWER,ISUZU KK-NPR72GY

Pos No.	Parts No	Parts Name	Qty	Unit	Technical Data	Serial No (Start)	Serial No (End)	Remarks	Pages
100	42479420200	HARNESS	1						

AT-115S-1 42053141313 UPPER,LOWER,ISUZU KK-NPR72GY
PI1010088-01 MOTOR,HYDRAULIC (SWING)



CLICK HERE TO **DOWNLOAD** THE COMPLETE MANUAL

- Thank you very much for reading the preview of the manual.
- You can download the complete manual from: www.heydownloads.com by clicking the link below



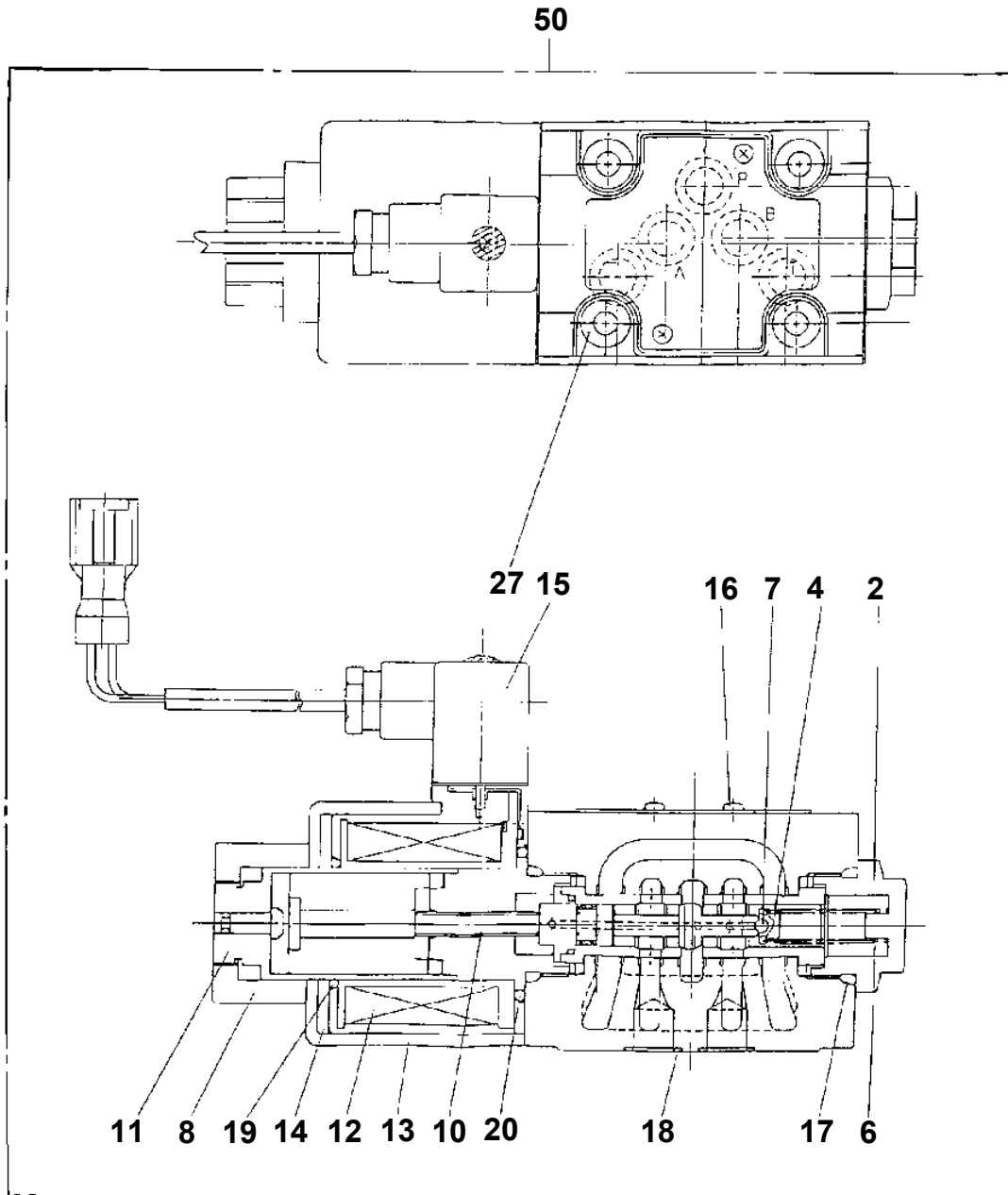
- Please note: If there is no response to CLICKING the link, please download this PDF first and then click on it.

CLICK HERE TO **DOWNLOAD** THE COMPLETE MANUAL

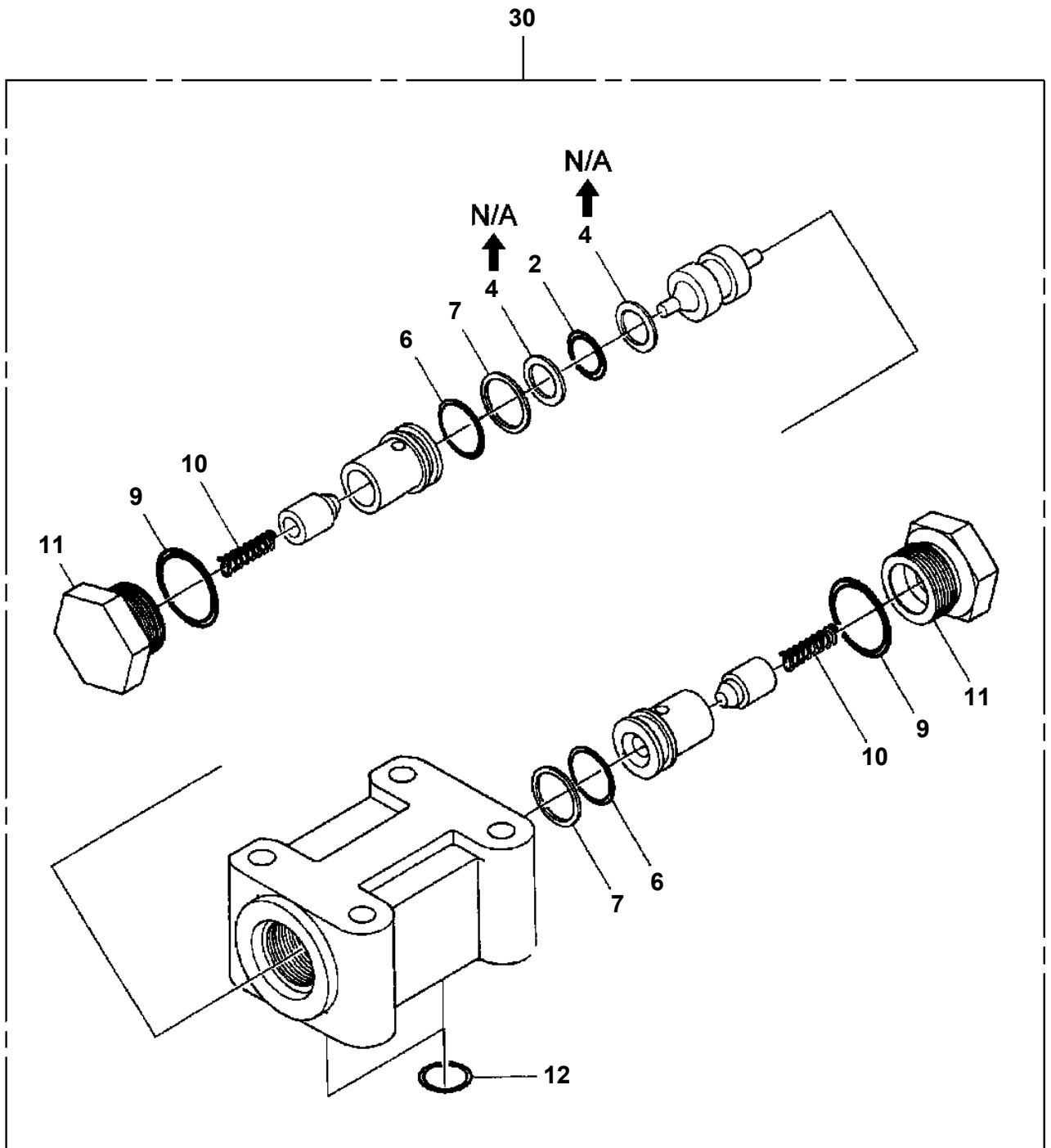
AT-115S-1 42053141313 UPPER,LOWER,ISUZU KK-NPR72GY
PI1120183-00 VALVE,SOLENOID

Assembly Name VALVE, SOLENOID

1112-0105-00



AT-115S-1 42053141313 UPPER,LOWER,ISUZU KK-NPR72GY
PI1140094-01 VALVE,CHECK



AT-115S-1 42053141313 UPPER,LOWER,ISUZU KK-NPR72GY

Pos No.	Parts No	Parts Name	Qty	Unit	Technical Data	Serial No (Start)	Serial No (End)	Remarks	P
4	42264221000	PLATFORM	1						
5	42263160010	FLOOR	1						
6	80183808014	SCREW,MACHINE	4		M8X14				
7	(*****)	PIPING ASSY,GREASE	1						00
8	37000100880	PIN	8						
9	80136332022	PIN,SPLIT	16		3.2X22				
10	42263960010	COVER	1						
11	42263960020	COVER	1						
12	82464100251	HINGE	4						
13	80172805016	SCREW,MACHINE	20		M5X16				
14	90201500500	NUT	8		M5				
15	90302510501	WASHER,SPRING	20		5				
16	90303520501	WASHER,PLAIN	20		5				
17	90303071201	WASHER,PLAIN	16		12				
31	42263966200	GUARD	1						
32	42263966400	GUARD	1						
33	80175804008	SCREW,MACHINE	6		M4X8				
34	82400000389	LOCK	1						
35	90101208020	BOLT	42		M8X20				
36	90201200800	NUT	36		M8				
37	90302040801	WASHER,SPRING	42		8				
38	90303070801	WASHER,PLAIN	78		8				
39	42263965800	SUPPORT	6						
40	42310191290	PIN	6						
41	80136340022	PIN,SPLIT	12		4X22				
42	42263966110	PIN	6						
43	42263966150	PIN ASSY	6						
45	42263965850	SUPPORT	3						
46	42263965520	SUPPORT	3						
61	42263966600	GUARD	1						
62	42263966700	GUARD	1						
63	42263966800	GUARD	1						
64	42263966900	GUARD	1						
75	37000105450	PIN	2						
76	80136332028	PIN,SPLIT	4		3.2X28				
77	42263966510	PIN	2						
78	42263966550	PIN ASSY	2						
79	82400000392	HINGE (RIGHT TYPE)	1						
80	82464156301	HINGE (LEFT TYPE)	1						
91	42263965600	GUARD	1						
92	42263965700	GUARD	1						
123	42263965830	BEARING,PLAIN	12						
131	42263965910	PIN	3						
132	37001201740	SPRING	3						
133	80613110120	RING,RETAINING	3						
134	42263965920	PIN	3						
135	42263965930	SUPPORT	3						
141	82400000322	RING	24						
142	82400000339	CHAIN	8	M					
143	37000200590	PIN,SNAP	8						
161	42264223100	FLOOR	1						
162	42263963500	FLOOR	1						
163	80147360640	RIVET	41						
173	42263965860	BEARING,PLAIN	6						
200	42264220000	PLATFORM	1						

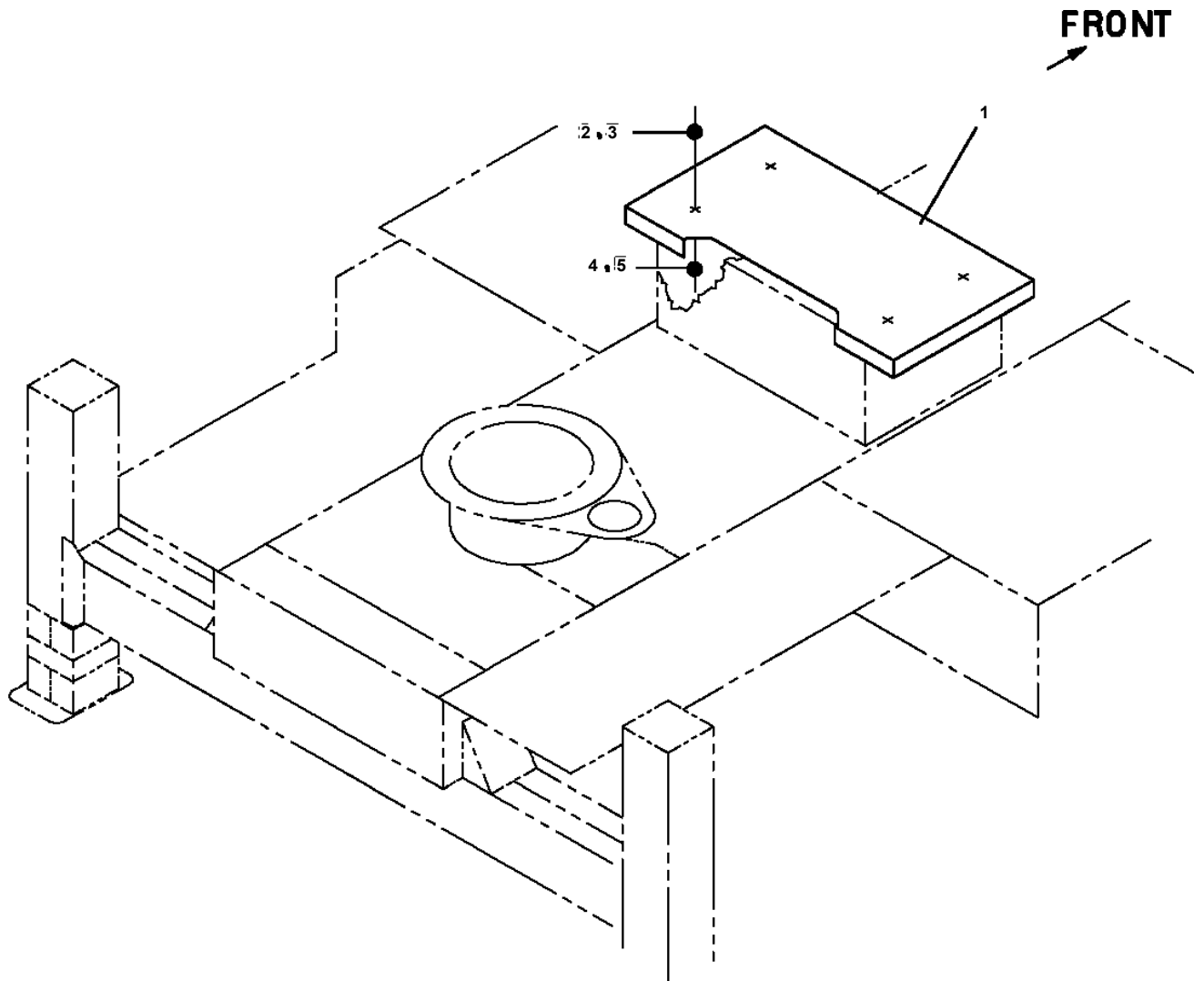
AT-115S-1 42053141313 UPPER,LOWER,ISUZU KK-NPR72GY

Pos No.	Parts No	Parts Name	Qty	Unit	Technical Data	Serial No (Start)	Serial No (End)	Re
1	90172105085	BOLT,HEXAGON SOCKET	4		M5X85			
2	36647110000	VALVE,SOLENOID	1					
3	36604490000	VALVE,RELIEF	1					
4	42344710200	COVER	1					
5	90101208014	BOLT	4		M8X14			
6	90302040801	WASHER,SPRING	10		8			
7	90303070801	WASHER,PLAIN	7		8			
8	42344710100	JOINT	1					
9	90101208065	BOLT	3		M8X65			
10	80430620600	JOINT (WITH O-RING)	1		L,G3/8-G3/8			
11	37002420310	HOSE	1		L=1320			
12	80400160129	JOINT	3					
13	91002801400	O-RING	5		1B P14			
14	37002443950	HOSE	1		L=800			
15	37002462240	HOSE	1		L=650			
16	81408000160	PIPE,STEEL	1	M	12X1.4T			
17	81408000160	PIPE,STEEL	1	M	12X1.4T			
18	80303130161	FITTING,ELBOW	2		KLO12-030E			
19	37000714050	CLAMP ASSY	1		18X3			
20	37000300740	SLEEVE	3		18-12			
21	81408000160	PIPE,STEEL	1	M	12X1.4T			
22	80456120610	JOINT,SELF SEALING (PLUG)	1					
23	80456110610	JOINT,SELF SEALING (SOCKET)	1					
24	37000714010	CLAMP ASSY	1		12X1			
25	80400160130	JOINT	1		S,G1/2-G3/8			
26	91002801800	O-RING	1		1B P18			
27	80302090161	FITTING	2		KCO12-030N			
28	80320010080	FITTING	1		KUD12-030N			
29	82100001735	SLEEVE	6					
30	42310040050	ROPE (TETORON)	3					
31	91810130230	FASTENER	3					
32	82100001412	TUBE,SPIRAL	3	M	SE-12BK			
33	80303130141	FITTING,ELBOW	1		KLO12-020E			
34	80456110410	JOINT,SELF SEALING (SOCKET)	1					
35	90191208014	BOLT	3		M8X14			
36	42344710300	COVER ASSY	1					
37	82100001834	TUBE	1	M				
38	80400160210	CAP	1					
39	80400160209	CAP	1					
40	80400160211	CAP	1					
61	91002801400	O-RING	3		1B P14			
81	91002801100	O-RING	1		1B P11			
91	91071011500	O-RING	1		Y22550-115-A			
92	91470000600	RING,BACKUP	1		Y22021-06			
101	91071011300	O-RING	1		Y22550-113-A			
102	91470000400	RING,BACKUP	1		Y22021-04			

AT-115S-1 42053141313 UPPER,LOWER,ISUZU KK-NPR72GY

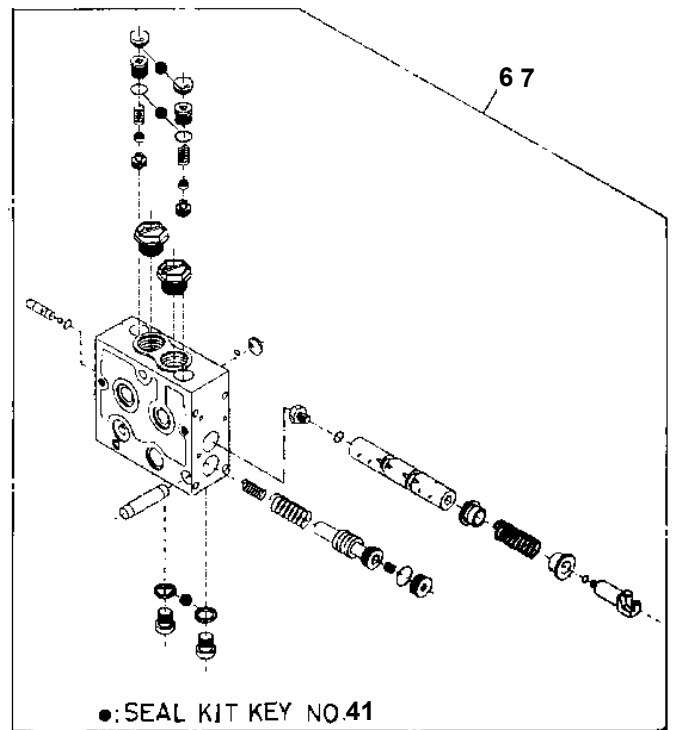
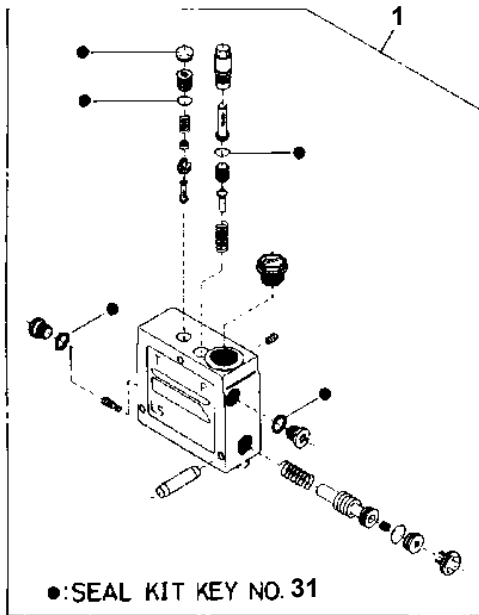
Pos No.	Parts No	Parts Name	Qty	Unit	Technical Data	Serial No (Start)	Serial No (End)	Remarks	Pages
1	42623031000	FRAME ASSY	1						
2	42621860200	COVER ASSY	1						
3	80175305016	SCREW,MACHINE	6		M5X16				
4	90201200500	NUT	6		M5				
5	90302040501	WASHER,SPRING	6		5				
6	82400000393	INSULATOR	1						
7	80172303014	SCREW,MACHINE	1		M3X14				
8	90303070301	WASHER,PLAIN	1		3				
21	42621860210	COVER	1						
22	37000568430	PLATE	1						
23	90201200500	NUT	4		M5				
24	90302040501	WASHER,SPRING	4		5				
25	82400000314	HINGE	2						
26	80163005012	SCREW,MACHINE	4		M5X12				
27	37000568440	PLATE	2						
28	37000568450	PLATE	2						
42	82400000357	CATCH	1						

AT-115S-1 42053141313 UPPER,LOWER,ISUZU KK-NPR72GY
PK1330182-00 COVER

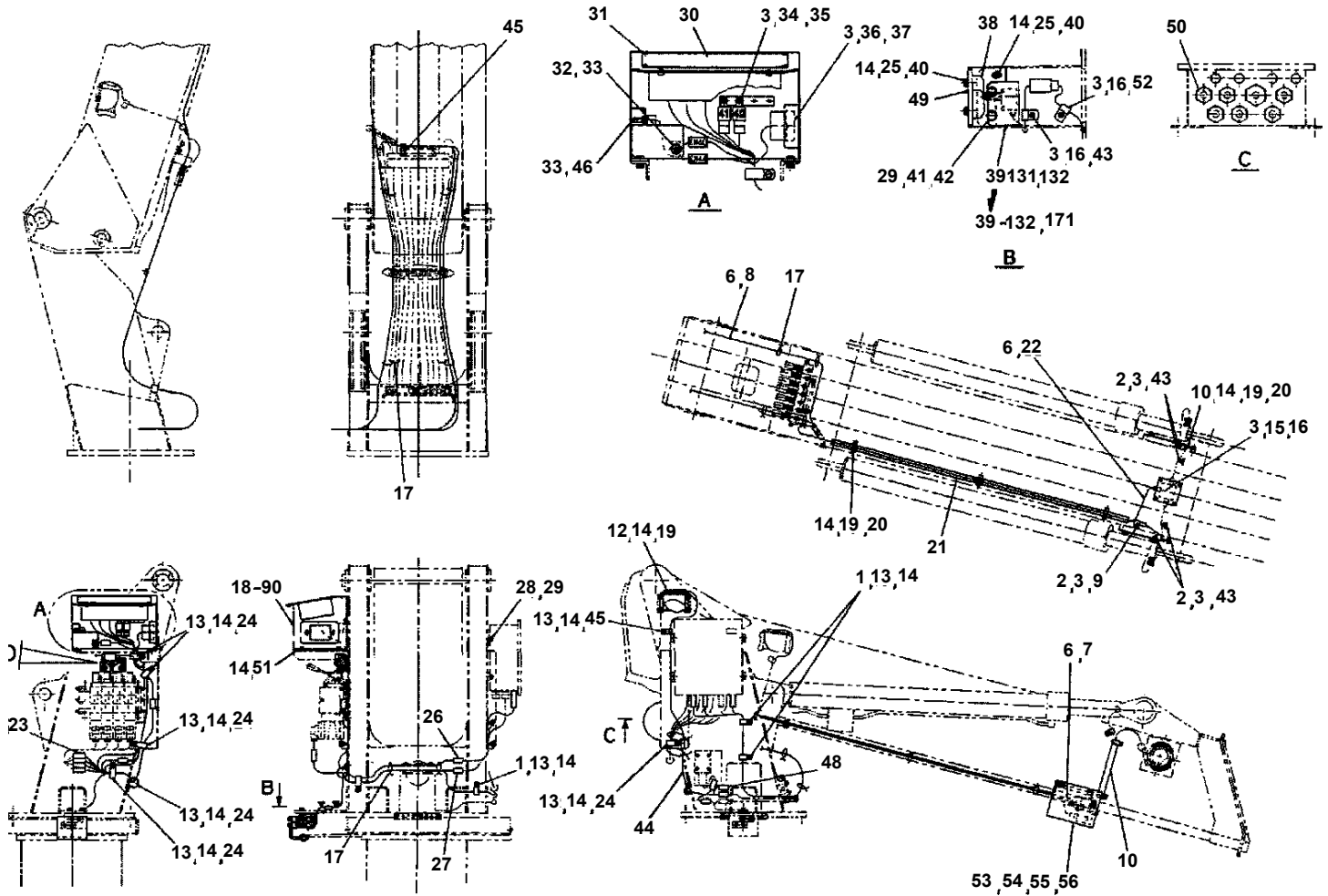


AT-115S-1 42053141313 UPPER,LOWER,ISUZU KK-NPR72GY
PL1250022-01 VALVE,CONTROL

ASSEMBLY NAME VALVE, CONTROL



**AT-115S-1 42053141313 UPPER,LOWER,ISUZU KK-NPR72GY
PN1012283-02 ELEC.ASSY (SWING FRAME)**



AT-115S-1 42053141313 UPPER,LOWER,ISUZU KK-NPR72GY

Pos No.	Parts No	Parts Name	Qty	Unit	Technical Data	Serial No (Start)	Serial No (End)
1	42652250100	HARNESS	1				
2	42652250200	HARNESS	1				
3	90303070601	WASHER,PLAIN	7		6		
4	42652251000	RELAY BOX ASSY	1				
6	90303520601	WASHER,PLAIN	2		6		
7	80182406014	SCREW,MACHINE	2		M6X14		
8	90303520801	WASHER,PLAIN	6		8		
9	90201200800	NUT	5		M8		
10	90302040801	WASHER,SPRING	15		8		
11	82100002006	CLAMP	15		WR10		
12	90201200600	NUT	20		M6		
13	90302040601	WASHER,SPRING	36		6		
14	82100002010	CLAMP	2		WR15		
15	90101206014	BOLT	12		M6X14		
16	42651550300	SWITCH ASSY (WITH HARNESS,1 SW)	1				
17	90172105014	BOLT,HEXAGON SOCKET	2		M5X14		
18	36180100000	DETECTOR,ANGLE	1				
19	36180090000	DETECTOR,ANGLE	1				
20	42651550450	COVER	1				
21	42350250090	PLUG (4 POLES,MALE)	1				
22	42433330020	PLUG (2 POLES,FEMALE)	1				
23	42652250500	SWITCH ASSY	1				
24	42652250600	SWITCH ASSY	1				
25	42651133500	INDICATOR,OUTRIGGER	1				
26	91810132530	FASTENER	30				
27	42652250700	SWITCH ASSY	1				
28	42651552000	RELAY BOX ASSY	1				
29	44350230400	PLUG (8 POLES,MALE)	1				
30	42350250070	PLUG (2 POLES,MALE)	1				
31	37002707560	CABLE ASSY	1				HA5457
	37002709150	CABLE ASSY	1		L=1500	HA5458	
32	37002708530	CABLE ASSY	1		L=2600		HA5457
	37002709120	CABLE ASSY	1		L=2600	HA5458	
33	42650680600	CAP	1				
34	37002707550	CABLE ASSY	1		L=500		
35	90101208014	BOLT	2		M8X14		
36	90101206012	BOLT	6		M6X12		
37	82100002002	CLAMP	1		WR6		
38	90101208020	BOLT	8		M8X20		
39	90101208016	BOLT	4		M8X16		
40	82100001807	TUBE,CORRUGATE	1	M	28		
41	82119901038	CONNECTOR	1				
42	90303070801	WASHER,PLAIN	1		8		
43	82100001801	TUBE,CORRUGATE	4	M	7		
44	42651550800	SWITCH ASSY	2				
45	82100002014	CLAMP	1		WR20		
46	82100002016	CLAMP	2		WR25		
81	42652252100	SUPPORT	2				
82	42652252200	SWITCH ASSY	2				
83	90172105016	BOLT,HEXAGON SOCKET	4		M5X16		
84	90101206014	BOLT	4		M6X14		
85	90302040601	WASHER,SPRING	4		6		
86	90303070601	WASHER,PLAIN	4		6		
102	82400000200	GROMMET	1		KG-012,L=250		
121	42652250710	SUPPORT	1				
131	42651550810	SUPPORT	2				
148	82100002308	COVER	2				

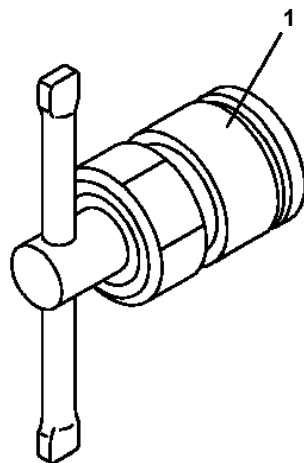
AT-115S-1 42053141313 UPPER,LOWER,ISUZU KK-NPR72GY

Pos No.	Parts No	Parts Name	Qty	Unit	Technical Data	Serial No (Start)
1	42651553000	RELAY ASSY (FOR EMERGENCY HYDRAULIC PUMP)	1			

AT-115S-1 42053141313 UPPER,LOWER,ISUZU KK-NPR72GY

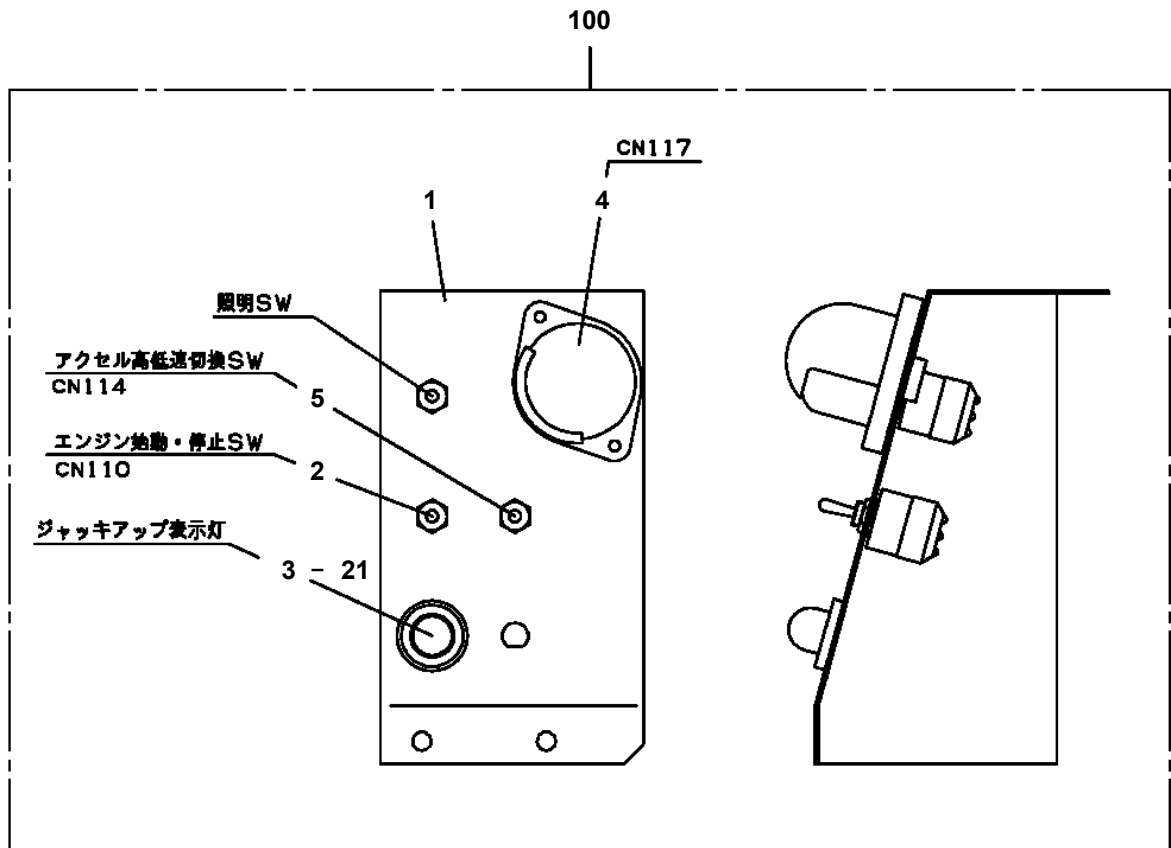
Pos No.	Parts No	Parts Name	Qty	Unit	Technical Data	Serial No (Start)	Serial No (End)
1	42391860700	REFLECTOR (RED)	1				
2	42391860600	REFLECTOR (RED)	3				
3	42391860500	REFLECTOR (RED)	2				
5	90451700100	SCREW,TAPPING	4		M4X6.4		
6	42393810010	PLATE,NAME	1				
7	42393810020	PLATE,CAUTION	1				
8	12117140000	PLATE,NAME (GREASE)	12				
9	37002212700	PLATE,NAME	1				
10	42393390150	PLATE,NAME	1				
11	42391770070	PLATE,NAME	1				
12	42393390160	PLATE,NAME	1				
13	42394370050	PLATE,CAUTION	2				
14	42943240070	PLATE,NAME	2				
15	42393810050	PLATE,NAME	1				
16	42942152140	PLATE,CAUTION	1				
17	42393250010	PLATE,NAME	1				
18	42390780040	PLATE,NAME (WORKING SWITCH)	1				
19	42393810060	PLATE,NAME	1				
20	42392893030	PLATE,NAME	1				
21	42942152100	PLATE,CAUTION	1				
22	42392920030	PLATE,CAUTION	2				
23	37002201980	PLATE,NAME	9				
24	42391860100	PLATE,NAME	1				
25	42941460700	PLATE,NAME (AT-115S)	1				
26	37002209560	PLATE,NAME (TADANO)	2				
27	42393810030	PLATE,NAME	2				
28	42393810040	PLATE,CAUTION	1				
30	42392330210	PLATE,NAME	1				
31	42393390110	PLATE,NAME	1				
32	42393390200	PLATE,CAUTION	1				
33	42392350160	PLATE,CAUTION	1				
34	42393810080	PLATE,NAME	1				HA5512
	42397171040	PLATE,NAME	1			HA5513	
35	(*****)	PLATE ASSY,NAME (BOX,OPERATION)	1				
36	42395520020	PLATE,NAME	1				
37	42393810090	PLATE,NAME	1				
38	42393810070	PLATE,NAME	1				
40	42393810120	PLATE,NAME	1				
41	42393810130	PLATE,NAME	1				
42	42393810140	PLATE,NAME	1				
43	42393810150	PLATE,NAME	1				
44	42393810160	PLATE,NAME	1				
45	42395520010	PLATE,NAME	1				
46	42393810200	PLATE,NAME	1				
47	42393810210	PLATE,NAME	1				
48	42393810220	PLATE,CAUTION	1				
49	42393810240	PLATE,NAME	1				
50	42393810250	PLATE,NAME	1				
51	37002226560	PLATE,NAME	1			HA5546	
52	42506191100	PLATE,CAUTION	1				
71	37002218870	PLATE,NAME (GRAY/BLUE/YELLOW)	2				HA5334
72	37002218880	PLATE,NAME (DECK,GRAY ONLY)	2				HA5334
73	37002218890	PLATE,NAME (DECK,WHITE ONLY)	2				HA5334

AT-115S-1 42053141313 UPPER,LOWER,ISUZU KK-NPR72GY
PP5550001-00 PRESSURE DEJECTA (MAIL,3/8)

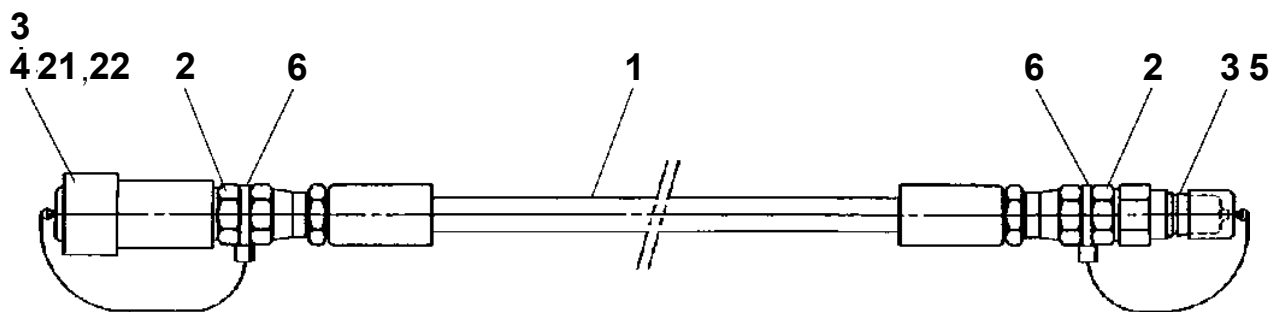


圧抜き工具 3/8オス用

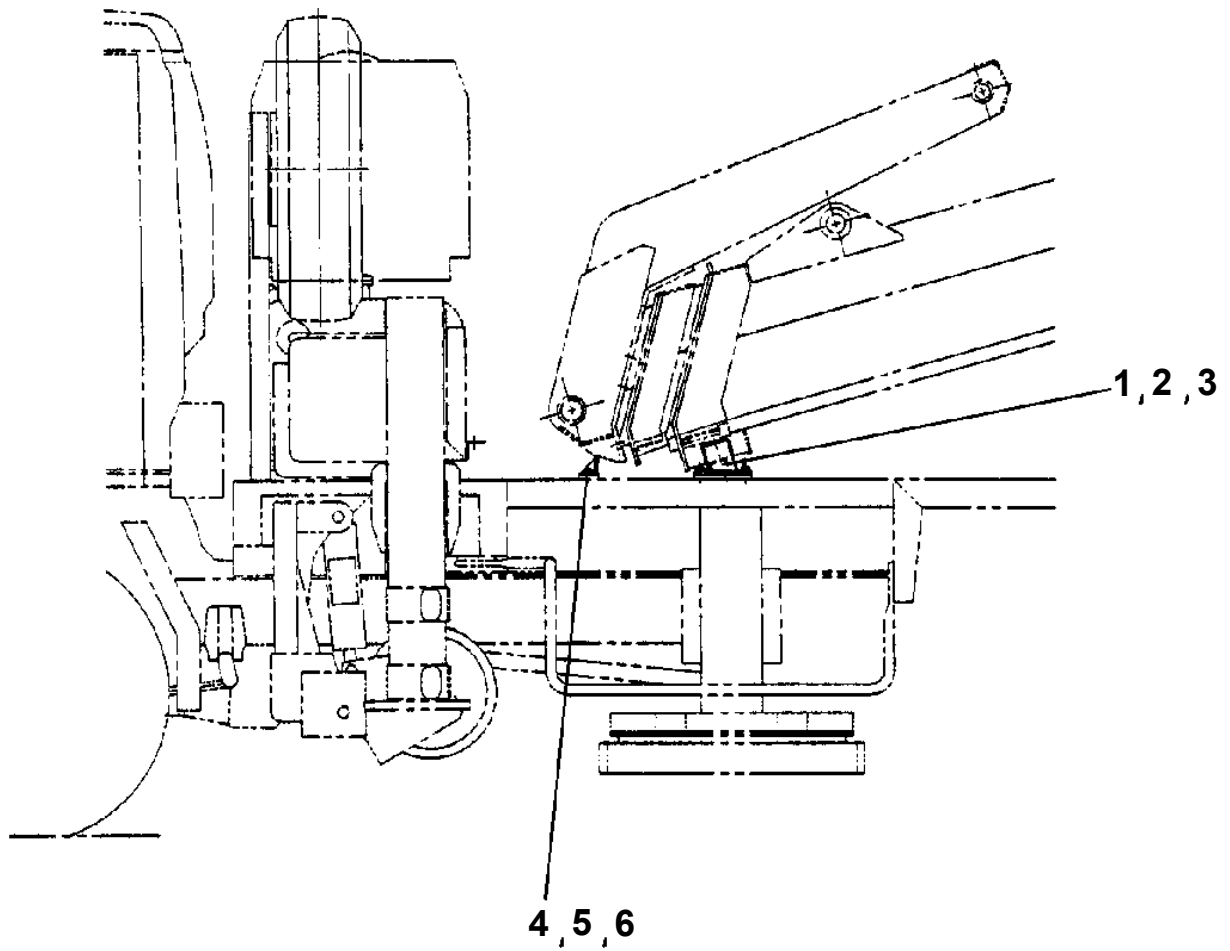
AT-115S-1 42053141313 UPPER,LOWER,ISUZU KK-NPR72GY
PS5530311-00 SWITCH ASSY



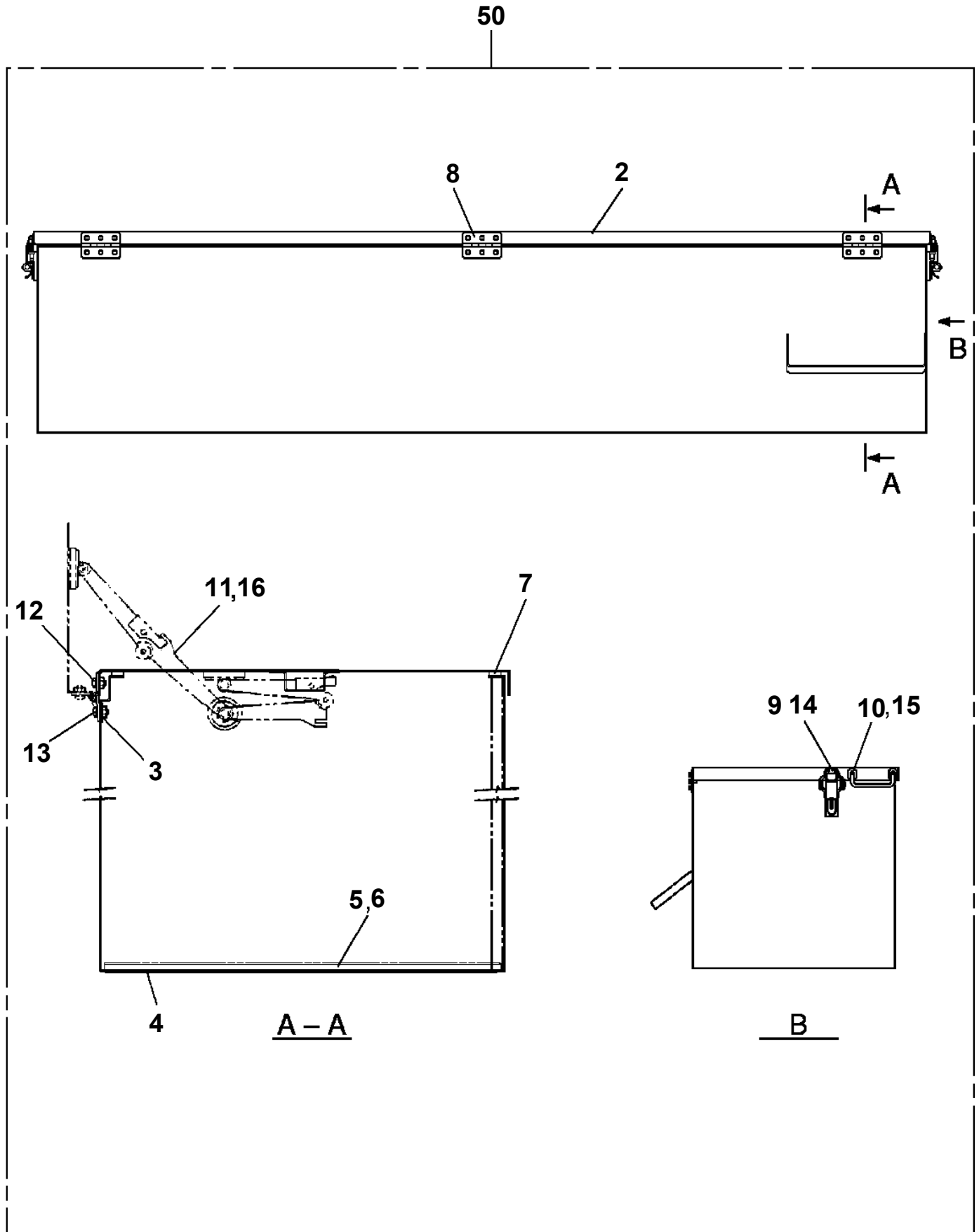
AT-115S-1 42053141313 UPPER,LOWER,ISUZU KK-NPR72GY
PW1010234-01 ACCESSORIES (HOSE)



**AT-115S-1 42053141313 UPPER,LOWER,ISUZU KK-NPR72GY
PX1120352-00 BOOM REST INSTALLATION**



AT-115S-1 42053141313 UPPER,LOWER,ISUZU KK-NPR72GY
PX1350516-00 BOX,TOOL



CLICK HERE TO **DOWNLOAD** THE COMPLETE MANUAL

- Thank you very much for reading the preview of the manual.
- You can download the complete manual from: www.heydownloads.com by clicking the link below



- Please note: If there is no response to CLICKING the link, please download this PDF first and then click on it.

CLICK HERE TO **DOWNLOAD** THE COMPLETE MANUAL