

AT-115S-1 42053141212 UPPER,LOWER,ISUZU KK-NPR72GDR 5LXPYT

PD2000079-00 SWING UNIT
PG2000030-00 BOOM UNIT
PH1000462-00 SAFETY DEVICES (AMC)
PJ3000271-00 PLATFORM SYSTEM
PK2000288-00 FRAME UNIT
PO1000149-00 INDICATION PLATES
PW1000118-00 ACCESSORIES & TOOLS
PX2000197-00 CARRIER UNIT
PX3000160-00 MOUNTING UNIT
PY1000742-00 OPTIONS (UPPER)
PY2000061-00 OPTIONS (LOWER)
ASSEMBLY

CLICK HERE TO **DOWNLOAD** THE COMPLETE MANUAL

- Thank you very much for reading the preview of the manual.
- You can download the complete manual from: www.heydownloads.com by clicking the link below



- Please note: If there is no response to CLICKING the link, please download this PDF first and then click on it.

CLICK HERE TO **DOWNLOAD** THE COMPLETE MANUAL

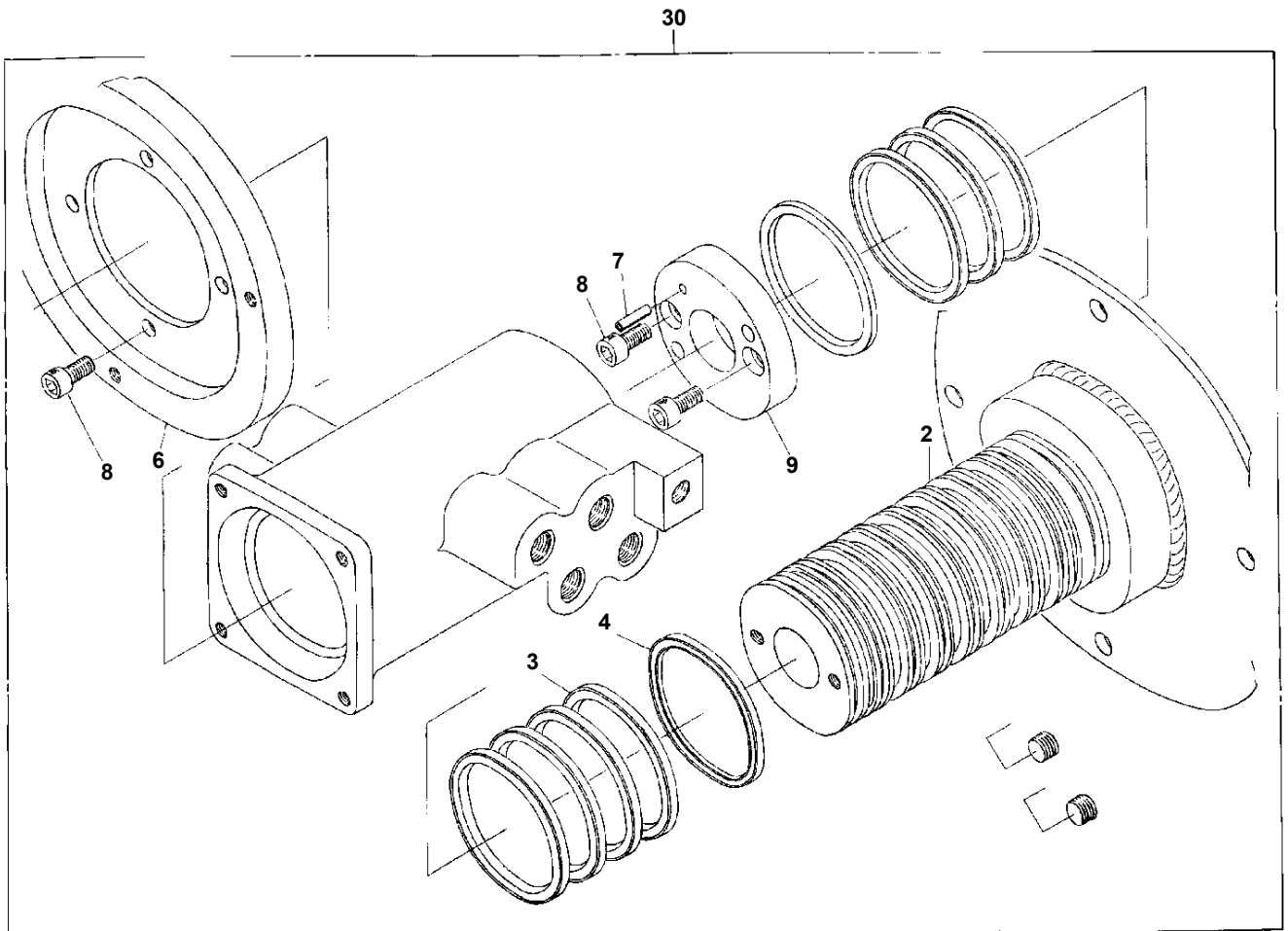
AT-115S-1 42053141212 UPPER,LOWER,ISUZU KK-NPR72GDR 5LXPYT

Pos No.	Parts No	Parts Name	Qty	Unit	Technical Data	Serial No (Start)	Serial No (End)	Re
1	(*****)	FRAME	1					
2	(*****)	PIPING,OUTRIGGER	1					
3	(*****)	ELEC.ASSY (FRAME)	1					
4	(*****)	OPERATION SYSTEM, OUTRIGGER	1					
5	(*****)	COVER,BEARING	1					
6	(*****)	OUTRIGGER (FRONT)	1					
7	(*****)	OUTRIGGER (REAR)	1					

AT-115S-1 42053141212 UPPER,LOWER,ISUZU KK-NPR72GDR 5LXPYT

Pos No.	Parts No	Parts Name	Qty	Unit	Technical Data	Serial No (Start)	Serial No (End)	Remarks
1	(*****)	MOUNT,WINCH (PLATFORM)	1					

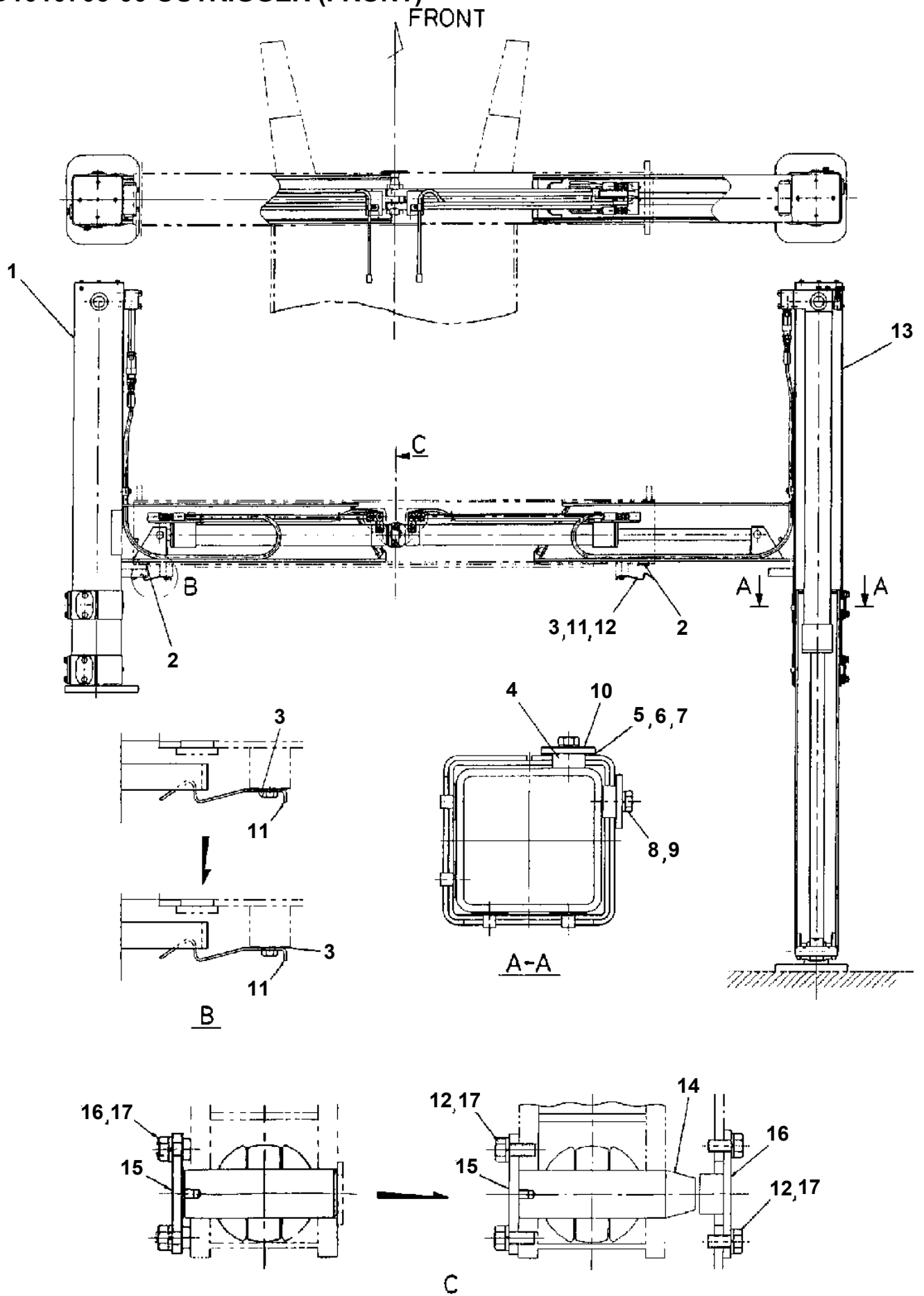
AT-115S-1 42053141212 UPPER,LOWER,ISUZU KK-NPR72GDR 5LXPYT
PB1300216-00 JOINT,ROTARY



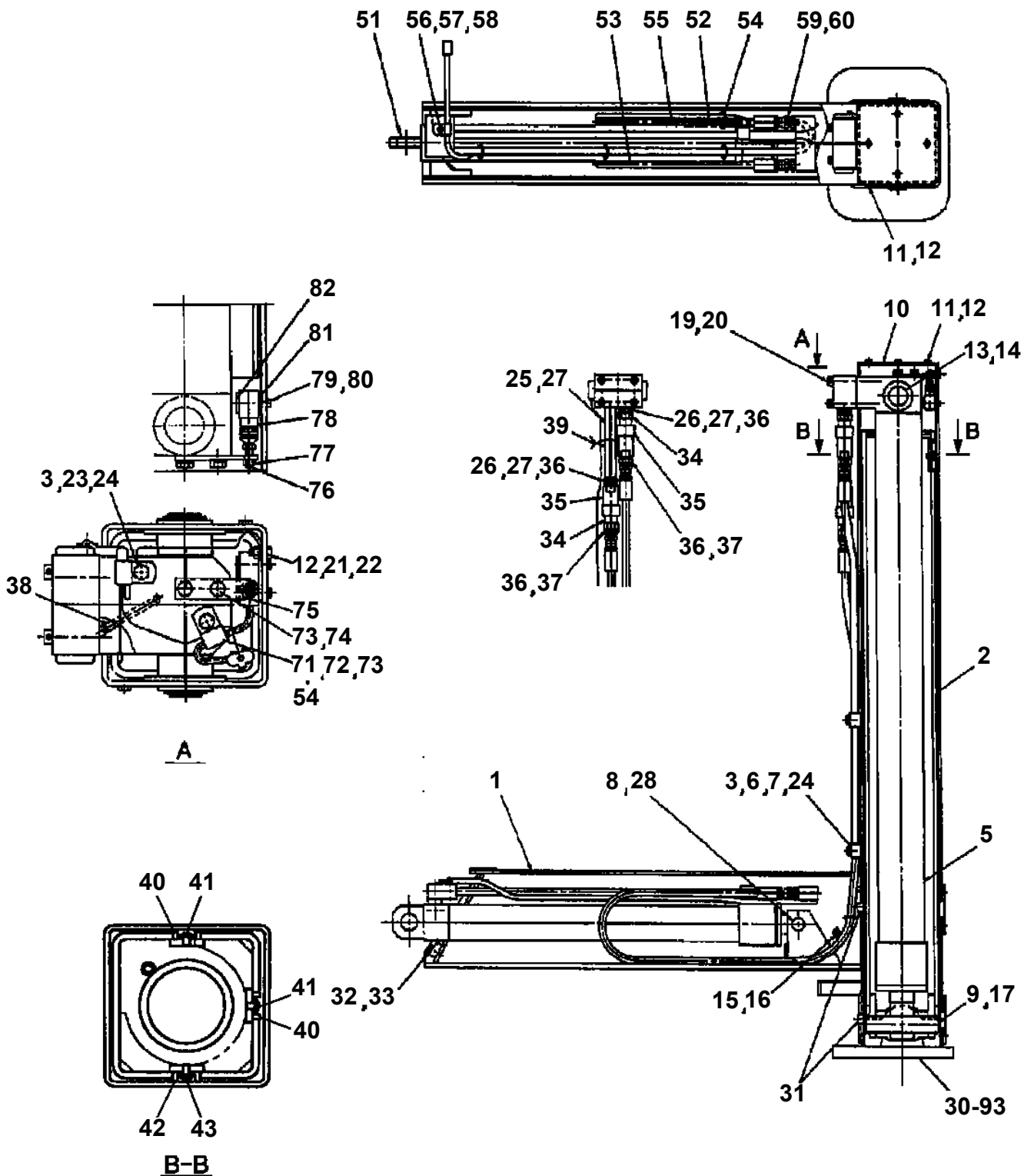
AT-115S-1 42053141212 UPPER,LOWER,ISUZU KK-NPR72GDR 5LXPYT

Pos No.	Parts No	Parts Name	Qty	Unit	Technical Data	Serial No (Start)	Serial No (End)	Remarks
1	36636655010	BODY,VALVE	1					
3	36633375020	VALVE,PILOT CHECK	1					
4	36636655020	VALVE,CONTROL	1					
5	36636655030	VALVE,CONTROL	1					
6	36636655040	VALVE,CONTROL	3					
7	36636655050	VALVE,CONTROL	1					
8	36634195060	VALVE,RELIEF	1					
11	36636655060	VALVE,OVERLOAD RELIEF	1					
22	91002905500	O-RING	8		1B G55			
23	36634535210	PLUG	1		PF1/4			
24	91002801100	O-RING	2		1B P11			
35	56051331180	SPRING	1					
39	91000501500	O-RING	2		AS568-015			
40	91002802200	O-RING	2		1B P22			
41	19215101010	O-RING	3					
54	56051331100	SEAL,OIL	12					
55	36635045040	RETAINER (VALVE)	6					
56	91002801400	O-RING	6		1B P14			
57	12435101180	RETAINER (SEAL)	9					
58	13115102010	RETAINER (SEAL)	10					
59	36636655070	END,SPOOL	1					
60	13115102030	CASE (BALL)	5					
61	80560005000	BALL,STEEL	10		5			
62	13115102050	RETAINER (BALL)	5					
63	13115102040	SPRING	5					
64	36630965150	COVER (SPRING)	2					
65	56051331120	COVER	6					
66	36634395080	BRACKET	2					
67	90131506015	BOLT,HEXAGON SOCKET	12		M6X15			
68	90131506025	BOLT,HEXAGON SOCKET	10		M6X25			
75	91002800500	O-RING	1		1B P5			
79	36630875060	END,SPOOL	1					
80	12435101170	RETAINER (SPRING)	2					
81	12435101120	SPRING	1					
86	90131506020	BOLT,HEXAGON SOCKET	2		M6X20			
99	36630875070	END,SPOOL	4					
104	36630875080	COVER (SPRING)	4					
134	91001001600	O-RING	4		1A S16			
136	91002801001	O-RING	1		1B P10A			
144	91001100600	O-RING	1		1A P6			
145	36634365110	RING,BACKUP	1					
146	36634915330	SPRING	1					
148	91001101001	O-RING	1		1A P10A			
149	36634365100	RING,BACKUP	1					
152	16025153020	SPRING	1					
153	36630045200	SCREW (ADJUSTING)	1		M10X25			
155	36630045220	NUT	1		M10			
156	36630045210	NUT,CAP	1					
200	36636650000	VALVE,MANUAL CONTROL	1					

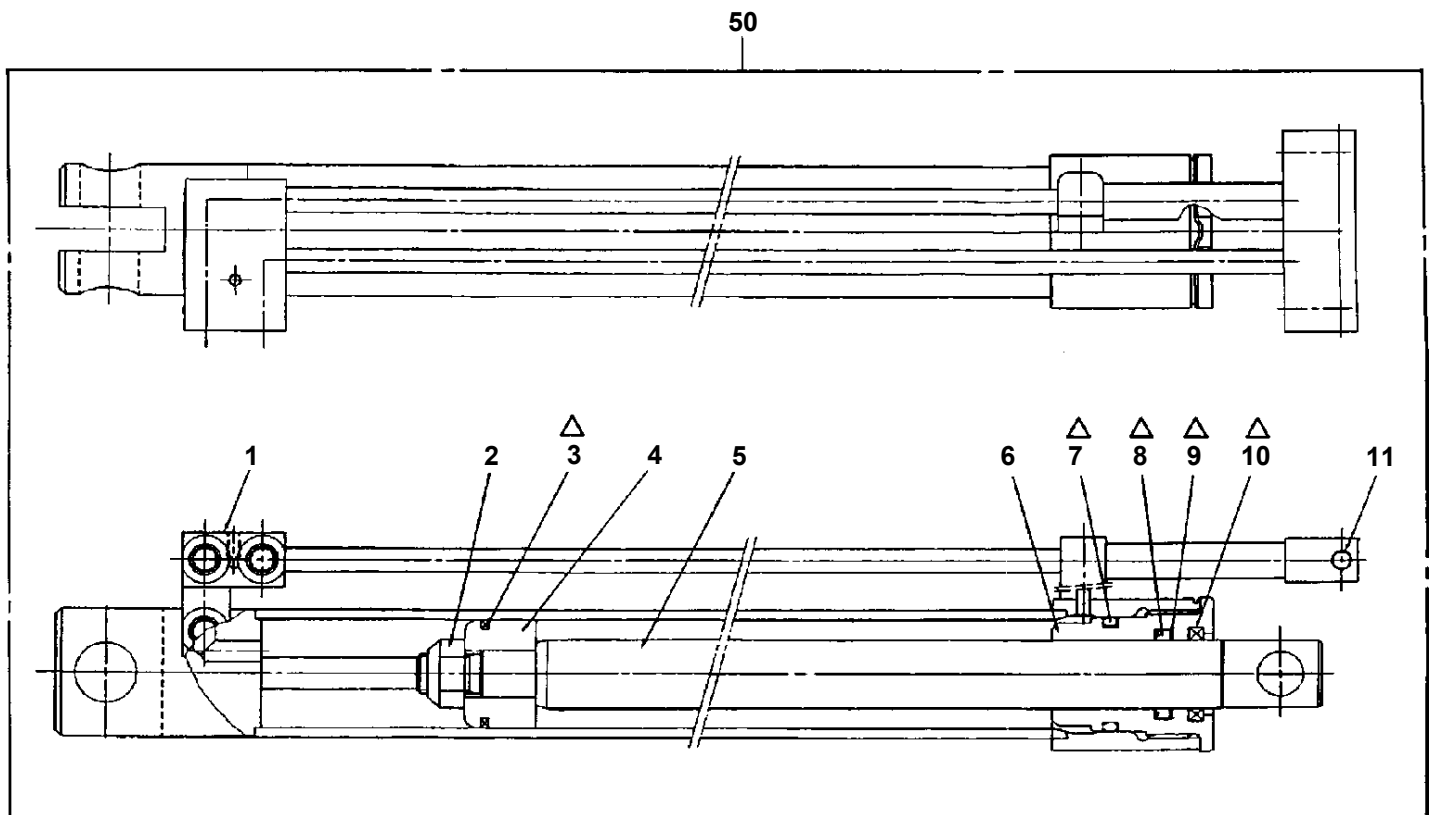
AT-115S-1 42053141212 UPPER,LOWER,ISUZU KK-NPR72GDR 5LXPYT
PC1010703-00 OUTRIGGER (FRONT)



AT-115S-1 42053141212 UPPER,LOWER,ISUZU KK-NPR72GDR 5LXPYT
 PC1010707-01 OUTRIGGER (REAR,LEFT)



AT-115S-1 42053141212 UPPER,LOWER,ISUZU KK-NPR72GDR 5LXPYT
PC1050216-00 CYLINDER,EXTENSION



△: PACKING KIT KEY NO. 30 (KEY NO. 3, 7, 8, 9, 10)

AT-115S-1 42053141212 UPPER,LOWER,ISUZU KK-NPR72GDR 5LXPYT

Pos No.	Parts No	Parts Name	Qty	Unit	Technical Data	Serial No (Start)	Serial No (End)	R
68	37002408070	HOSE	4		L=1120			
69	37002413810	HOSE	1		L=1500			
70	37002462440	HOSE	1		L=1300			
71	82100001411	TUBE, SPIRAL	4	M	SE-08BK			
72	37002457630	HOSE	2		L=1100			
74	81408000210	PIPE, STEEL	1	M	15X2.0T			
75	81408000210	PIPE, STEEL	1	M	15X2.0T			
76	80305010241	FITTING, TEE	1		KTA28-000N			
77	80311010390	FITTING	1		KRE28-180N			
78	80311010240	FITTING	2		KRE18-150E			
79	80305010160	FITTING, TEE	1		KTA18-000E			
80	81408000341	PIPE, STEEL	1	M	28X3.1T			
81	91810132530	FASTENER	10					
82	80430620400	JOINT	6					
84	80430620600	JOINT (WITH O-RING)	2		L, G3/8-G3/8			
85	80456110610	JOINT, SELF SEALING (SOCKET)	1					
86	80456120610	JOINT, SELF SEALING (PLUG)	1					
87	37002445600	HOSE	1		L=1300			
88	80320030210	FITTING, ELBOW	1		KLE28-060N			
89	82100001412	TUBE, SPIRAL	2	M	SE-12BK			
101	91002801400	O-RING	23		1B P14			
111	91002801100	O-RING	25		1B P11			
121	80303130141	FITTING, ELBOW	3		KLO12-020E			
122	31474594210	JOINT	2		3-G1/4			
124	80481602030	JOINT	2					
125	36624250000	VALVE, SHUTTLE	1					
126	80302090141	FITTING	4		KCO12-020N			
128	80456110610	JOINT, SELF SEALING (SOCKET)	1					
129	80456120610	JOINT, SELF SEALING (PLUG)	1					
141	80303130241	FITTING, ELBOW	2		KLO18-040E			
142	80316070060	PLUG	1		PF3/8			
144	80303130171	FITTING, ELBOW	1		KLO12-040E			
145	80400160128	JOINT	9		S, G3/8-G1/4			
146	80302090161	FITTING	1		KCO12-030N			
147	37000926040	JOINT	2					
148	91002801800	O-RING	8		1B P18			
149	80305151203	FITTING, TEE	1		T, G3/8-D12X2			
150	80430620800	JOINT	1					
151	80315040040	JOINT	1					
152	80456950401	JOINT, SELF SEALING (COUPLER)	1					
161	42644742100	JOINT	1					
162	80302090151	FITTING	1		KCO12-040N			
164	80400160129	JOINT	3					
166	80302090241	FITTING	1		KCO18-040N			
167	80400160134	JOINT	1					
168	91002802900	O-RING	1		1B P29			
181	80400160127	JOINT	4					
182	80430620400	JOINT	2					
185	42644011010	FITTING, FLANGE	1					
186	36645920000	VALVE, SOLENOID	2					
187	90172105050	BOLT, HEXAGON SOCKET	12		M5X50			
188	36646540000	VALVE, SOLENOID	1					
189	42475711010	ORIFICE	1		1.5			
190	37000926020	JOINT	1					
201	80303130181	FITTING, ELBOW	2		KLO15-030E			
202	36645880000	VALVE, SOLENOID	1					
203	42643770400	FITTING, FLANGE	1					
291	91071011500	O-RING	2		Y22550-115-A			
292	91470000600	RING, BACKUP	2		Y22021-06			

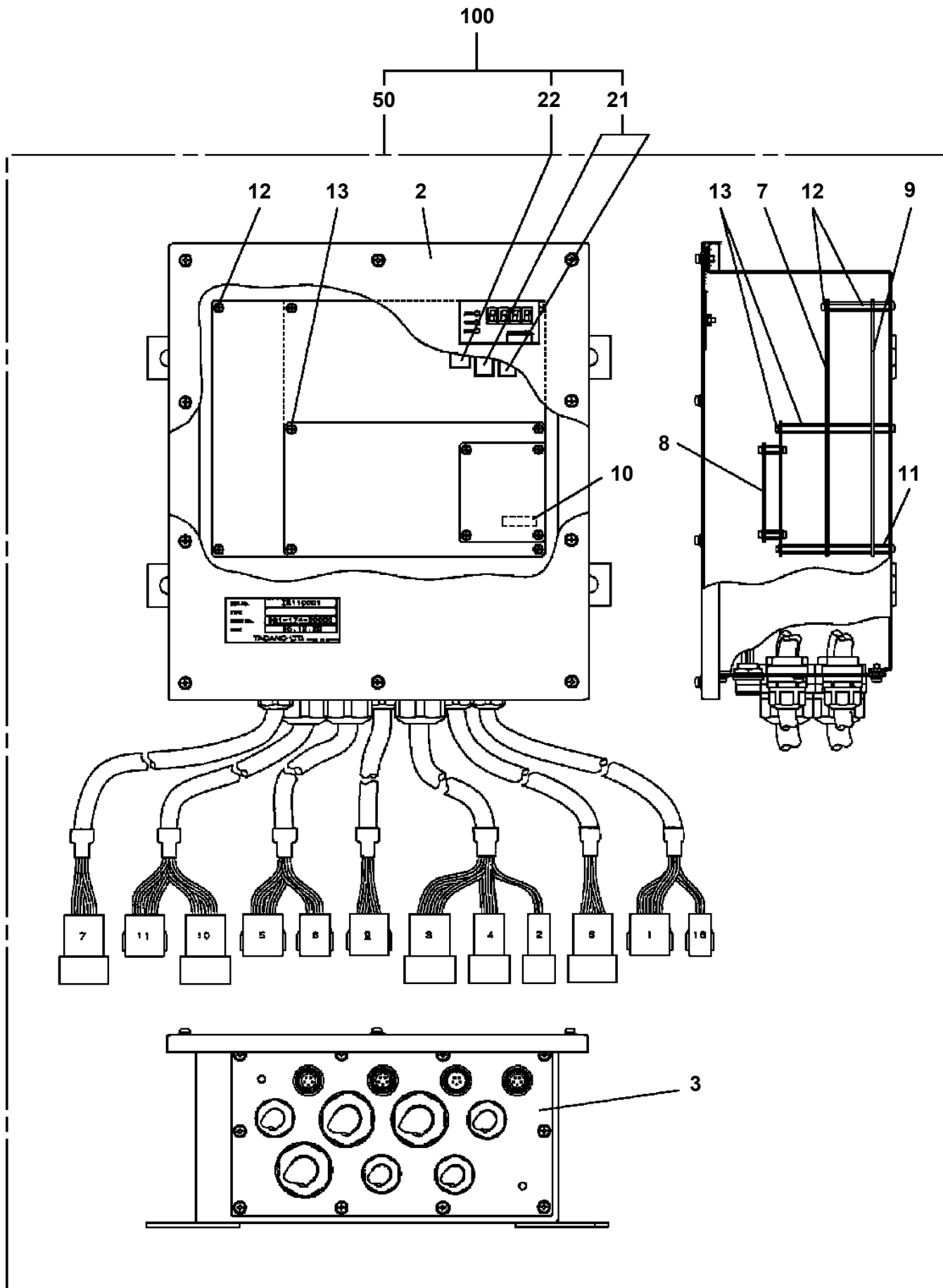
AT-115S-1 42053141212 UPPER,LOWER,ISUZU KK-NPR72GDR 5LXPYT

Pos No.	Parts No	Parts Name	Qty	Unit	Technical Data	Serial No (Start)	Serial No (End)	Remarks	P
1	36025901000	CYLINDER	1						
2	80136363063	PIN,SPLIT	1		6.3X63				
3	90236203309	NUT,CASTLE	1		M33				
4	91684009001	PACKING	2						
5	91002903000	O-RING	1		1B G30				
6	36024460200	PISTON	1						
7	36024462000	ROD	1						
8	80612110720	RING,RITAINING	1		AR72				
9	80801006540	BEARING,PLAIN	1						
10	36023789520	COVER,ROD	1						
11	91002910000	O-RING	1		1B G100				
12	91694106500	PACKING	1						
13	91410206503	RING,BACKUP	1						
14	91660006500	SEAL,DUST	1						
15	80622000650	RING,RITAINING	1		SP65				
16	80316030020	PLUG	2		PT1/8				
17	82456101000	NIPPLE,GREASE	1		A-PT1/8				
18	36024463000	END,ROD	1						
19	91001204500	O-RING	1		1A G45				
20	80720104020	PIN,SPRING	1		4X20				
21	91302209000	BEARING,PLAIN	2						
22	91411207502	RING,BACKUP	2						
41	36020542020	RETAINER	2						
42	80541500050	BEARING,SPHERICAL	1						
46	82100001411	TUBE,SPIRAL	1	M	SE-08BK				
67	82100000548	CONNECTOR	1						
81	82100001155	CONNECTOR	1						
100	36025779900	PACKING SET (65X90)	1						
150	36025900000	CYLINDER,ELEVATING	1						

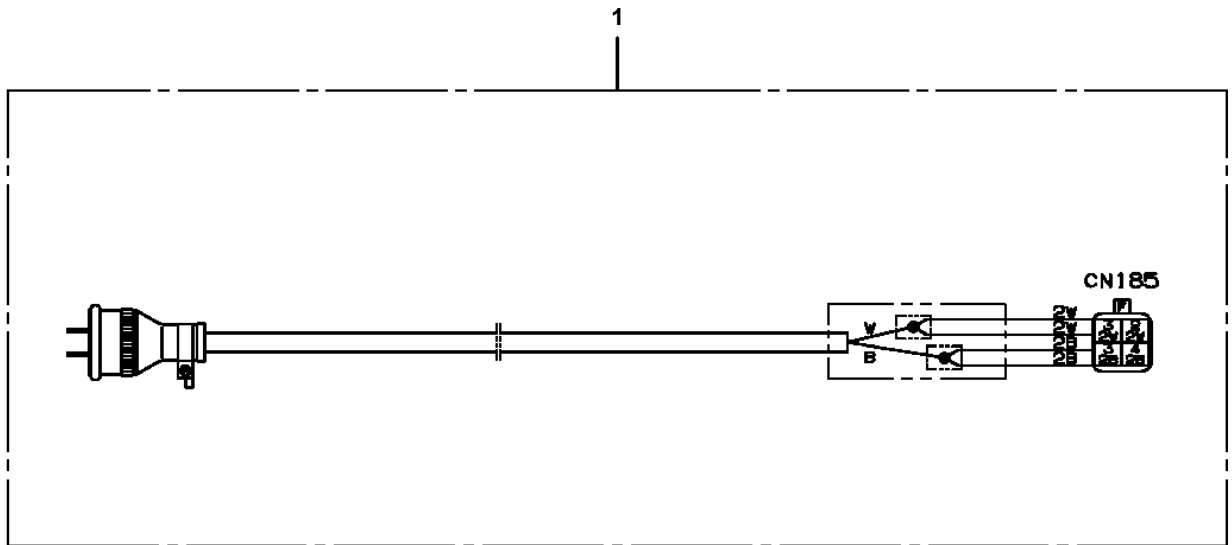
AT-115S-1 42053141212 UPPER,LOWER,ISUZU KK-NPR72GDR 5LXPYT

Pos No.	Parts No	Parts Name	Qty	Unit	Technical Data	Serial No (Start)	Serial No (End)	Remarks	Pages
1	42479181100	SUPPORT	1						
2	42479181200	SUPPORT	1						
3	42479181400	WINCH	1						000041
4	42479181010	BOLT	1						
5	42479181020	SHEAVE	1						
6	90201502200	NUT	4		M22				
7	37000105460	PIN	2						
8	42263966150	PIN ASSY	2						
9	90171116040	BOLT	4		M16X40				
10	90302041601	WASHER,SPRING	4		16				
31	42479182100	SUPPORT	4						
41	42479184010	PLATE,CAUTION	1						
42	42479184020	PLATE,CAUTION	1			HA5251			
51	82400000322	RING	6						
52	82400000339	CHAIN	2	M					
53	37000200590	PIN,SNAP	2						

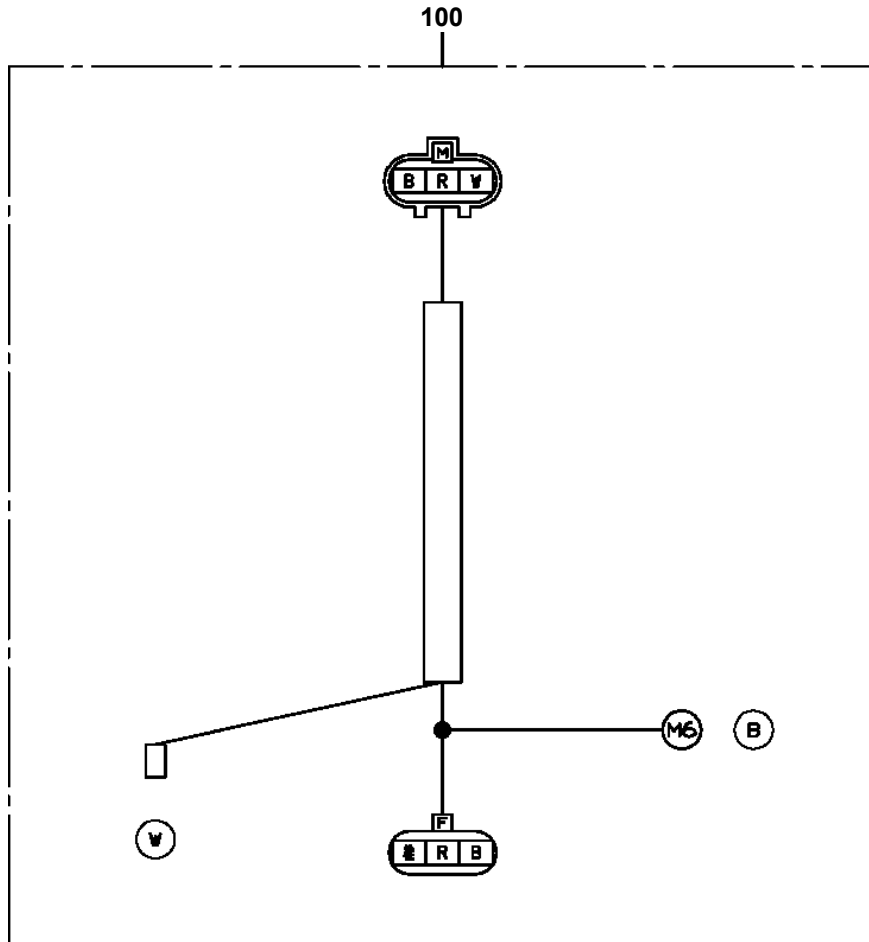
AT-115S-1 42053141212 UPPER,LOWER,ISUZU KK-NPR72GDR 5LXPYT
 PH1480017-03 MOTION CONTROLLER (AMC)



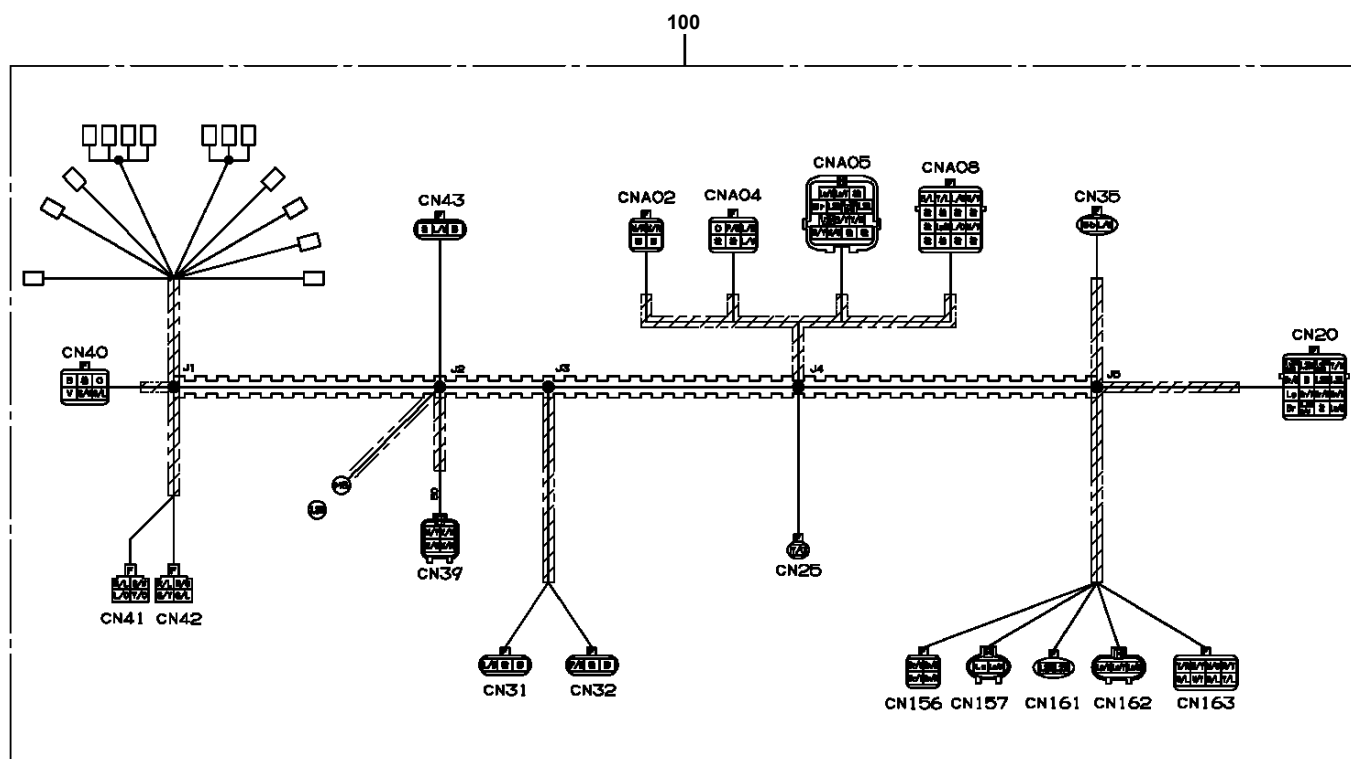
AT-115S-1 42053141212 UPPER,LOWER,ISUZU KK-NPR72GDR 5LXPYT
PH5031537-00 HARNESS (L=6000 TO 7100)



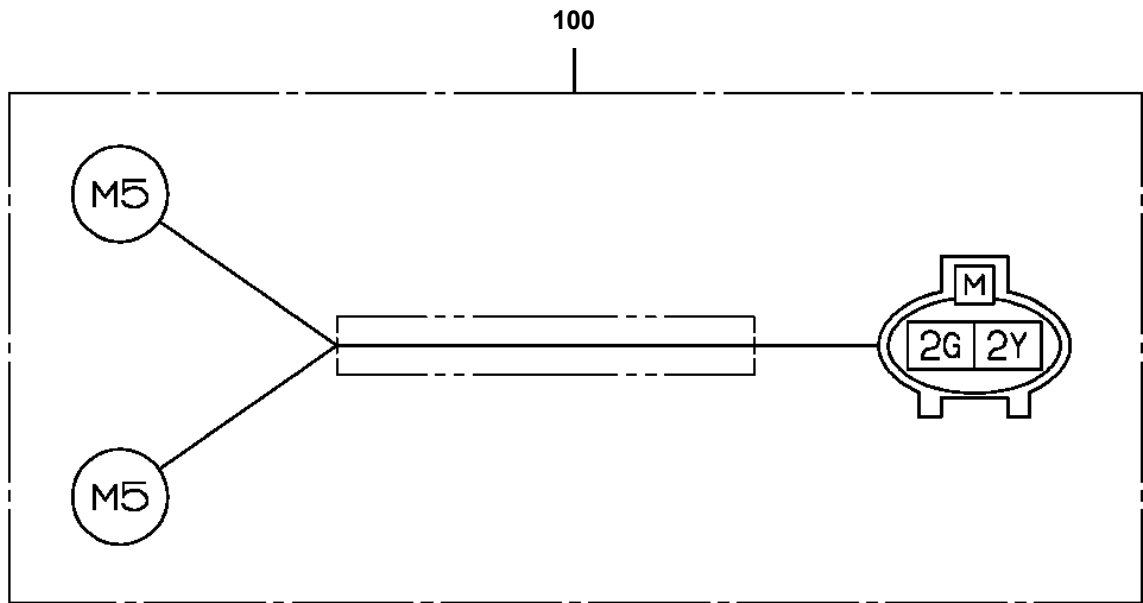
AT-115S-1 42053141212 UPPER,LOWER,ISUZU KK-NPR72GDR 5LXPYT
PH5032934-00 HARNESS



AT-115S-1 42053141212 UPPER,LOWER,ISUZU KK-NPR72GDR 5LXPYT
PH5032939-00 HARNESS



AT-115S-1 42053141212 UPPER,LOWER,ISUZU KK-NPR72GDR 5LXPYT
PH5034450-00 HARNESS



AT-115S-1 42053141212 UPPER,LOWER,ISUZU KK-NPR72GDR 5LXPYT

Pos No.	Parts No	Parts Name	Qty	Unit	Technical Data	Serial No (Start)	Serial No (End)	Rema
2	36660025130	BEARING,BALL	1					
4	91001206500	O-RING	1		1A G65			
5	36660025021	COVER (OIL SEAL)	1					
6	36660025140	SEAL,OIL	1					
7	80602110720	RING,RITAINING	1		R72			
14	36661925010	O-RING	1					
16	36661925021	CYLINDER ASSY (LOCK)	1					
19	14125151020	KEY	1					
35	91410001800	RING,BACKUP	1		P18			
36	91002801800	O-RING	1		1B P18			
37	91001102201	O-RING	1		1A P22A			
38	91001102200	O-RING	1		1A P22			
39	91001101800	O-RING	1		1A P18			
50	36662600000	MOTOR,HYDRAULIC (SWING)	1					

CLICK HERE TO **DOWNLOAD** THE COMPLETE MANUAL

- Thank you very much for reading the preview of the manual.
- You can download the complete manual from: www.heydownloads.com by clicking the link below



- Please note: If there is no response to CLICKING the link, please download this PDF first and then click on it.

CLICK HERE TO **DOWNLOAD** THE COMPLETE MANUAL

AT-115S-1 42053141212 UPPER,LOWER,ISUZU KK-NPR72GDR 5LXPYT

Pos No.	Parts No	Parts Name	Qty	Unit	Technical Data	Serial No (Start)	Serial No (End)	Remarks
7	36642765050	O-RING	2					
8	36642765060	WASHER (CENTER)	2					
10	91000501200	O-RING	4					
13	36643435020	SPRING	2					
14	36642765070	PLUG	1					
21	36643435030	NUT	1					
22	91000501900	O-RING	1					
23	36643435050	CORE ASSY (SOLENOID)	1					
24	36645925020	COIL,SOLENOID	1					
25	36643435070	PACKING	1					
34	36643435040	PIN,SPRING	4					
50	36645920000	VALVE,SOLENOID	1					

AT-115S-1 42053141212 UPPER,LOWER,ISUZU KK-NPR72GDR 5LXPYT

Pos No.	Parts No	Parts Name	Qty	Unit	Technical Data	Serial No (Start)	Serial No (End)	Remarks
8	36642765060	WASHER (CENTER)	2					
10	91000501200	O-RING	4					
12	36642765050	O-RING	2					
13	36642765080	SPRING	2					
14	36642765070	PLUG	1					
15	36643435040	PIN,SPRING	4					
21	36643435030	NUT	1					
22	91000501900	O-RING	1					
23	36642765090	CORE ASSY (SOLENOID)	1					
24	36645925020	COIL,SOLENOID	1					
25	36643435070	PACKING	1					
50	36647100000	VALVE,SOLENOID	1					

AT-115S-1 42053141212 UPPER,LOWER,ISUZU KK-NPR72GDR 5LXPYT

Pos No.	Parts No	Parts Name	Qty	Unit	Technical Data	Serial No (Start)	Serial No (End)	Remarks	Pages
2	91040101200	O-RING	1		P12				
4	91411001200	RING,BACKUP	2		P12				
6	91002801600	O-RING	2		1B P16				
7	91411001600	RING,BACKUP	2		P16				
9	91002802200	O-RING	2		1B P22				
10	36624166200	SPRING (A)	2						
11	36624166300	PLUG	2						
12	91002801400	O-RING	2		1B P14				
30	36624260000	VALVE,CHECK	1						

AT-115S-1 42053141212 UPPER,LOWER,ISUZU KK-NPR72GDR 5LXPYT

Pos No.	Parts No	Parts Name	Qty	Unit	Technical Data	Serial No (Start)	Serial No (End)	Remark
2	36600915010	PLUG	1					
5	36600915020	BUSH	1					
6	36602455010	GUIDE,SPRING	1					
7	36600915040	SPRING	1					
8	36600915050	SPRING	1					
10	36600915060	SPRING	1					
12	36600915070	PACKING	1					
13	36600915080	BOLT (ADJUSTING)	1					
14	36600915090	NUT	1					
16	36600915100	RING,RETAINING	1					
17	80316030010	PLUG	2		NPTF1-16			
18	80316030020	PLUG	1		PT1/8			
19	80316030080	PLUG	1		PT1/2			
20	91001100600	O-RING	1		1A P6			
21	91002801100	O-RING	1		1B P11			
22	91002801200	O-RING	2		1B P12			
23	91002801800	O-RING	2		1B P18			
24	91002802100	O-RING	1		1B P21			
25	91002802201	O-RING	1		1B P22A			
27	80316030060	PLUG	1		PT3/8			
50	36604160000	VALVE,COUNTERBALANCE	1					

AT-115S-1 42053141212 UPPER,LOWER,ISUZU KK-NPR72GDR 5LXPYT

Pos No.	Parts No	Parts Name	Qty	Unit	Technical Data	Serial No (Start)	Serial No (End)	Remarks	P
5	42263160010	FLOOR	1						
6	80183808014	SCREW,MACHINE	4		M8X14				
7	(*****)	PIPING ASSY,GREASE	1						00
8	37000100880	PIN	8						
9	80136332022	PIN,SPLIT	16		3.2X22				
10	42263960010	COVER	1						
11	42263960020	COVER	1						
12	82464100251	HINGE	4						
13	80172805016	SCREW,MACHINE	20		M5X16				
14	90201500500	NUT	8		M5				
15	90302510501	WASHER,SPRING	20		5				
16	90303520501	WASHER,PLAIN	20		5				
17	90303071201	WASHER,PLAIN	16		12				
31	42264801100	GUARD	1						
32	42264801300	GUARD	1						
33	80175804008	SCREW,MACHINE	12		M4X8				
34	82400000389	LOCK	2						
35	90101208020	BOLT	28		M8X20				
36	90201200800	NUT	24		M8				
37	90302040801	WASHER,SPRING	28		8				
38	90303070801	WASHER,PLAIN	52		8				
39	42263965800	SUPPORT	4						
40	42310191290	PIN	4						
41	80136340022	PIN,SPLIT	8		4X22				
42	42263966110	PIN	4						
43	42263966150	PIN ASSY	4						
45	42263965850	SUPPORT	2						
46	42263965520	SUPPORT	2						
51	42264802100	GUARD	1						
52	42264802200	GUARD	1						
53	42264802300	GUARD	1						
54	42264802400	GUARD	1						
65	37000105450	PIN	4						
66	80136332028	PIN,SPLIT	8		3.2X28				
67	42263966510	PIN	4						
68	42263966550	PIN ASSY	4						
69	82400000392	HINGE (RIGHT TYPE)	2						
70	82464156301	HINGE (LEFT TYPE)	2						
73	42264802500	GUARD	1						
74	42264802600	GUARD	1						
93	42263965830	BEARING,PLAIN	8						
101	42263965910	PIN	2						
102	37001201740	SPRING	2						
103	80613110120	RING,RETAINING	2						
104	42263965920	PIN	2						
105	42263965930	SUPPORT	2						
111	82400000322	RING	24						
112	82400000339	CHAIN	8	M					
113	37000200590	PIN,SNAP	8						
131	42264223100	FLOOR	1						
132	42264805100	FLOOR	1						
133	80147360640	RIVET	41						
143	42263965860	BEARING,PLAIN	4						
200	42264800000	PLATFORM	1						

AT-115S-1 42053141212 UPPER,LOWER,ISUZU KK-NPR72GDR 5LXPYT

Pos No.	Parts No	Parts Name	Qty	Unit	Technical Data	Serial No (Start)	Serial No
1	80561100080	NUT	1		AN08		
2	80602110800	RING,RITAINING	1		R80		
3	36080495210	SPACER	1				
4	80500006208	BEARING,BALL	1				
5	36080975010	WORM	1				
6	36080755030	BEARING,NEEDLE	1		BK3020+IR25*30*18		
7	36080495090	GAUGE,OIL	1				
8	36080235080	WASHER,SEAL	1		M16		
9	80316090060	PLUG	1		KKT PT3/8		
10	80561100070	NUT	1		AN07		
15	91206055002	SEAL,OIL	1				
16	36080495042	CASE,GEAR	1				
17	80513006308	BEARING,BALL	1				
18	36080495050	BOLT,SEMS (M10X25,WITH WASHER)	6				
19	36080015000	PIN	2				
20	36080495060	KEY	1				
21	36080975020	WHEEL,WORM	1				
22	36080495230	CASE,GEAR	1				
23	80500006207	BEARING,BALL	1				
24	36071675240	SHIM SET	1				
30	36080645100	GEAR,SPUR	1				
100	36080970000	REDUCER,PLATFORM SWING SPEED	1				

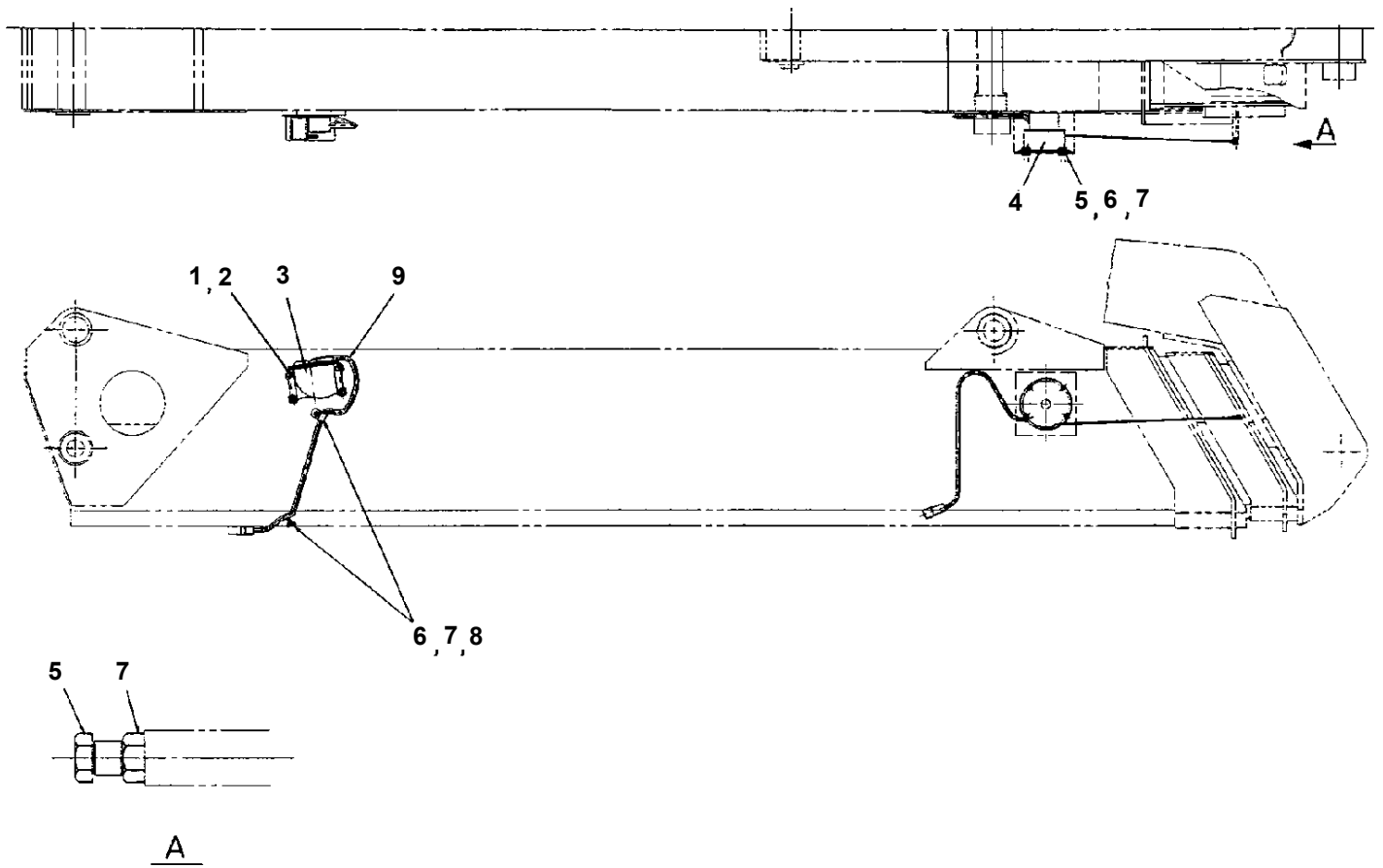
AT-115S-1 42053141212 UPPER,LOWER,ISUZU KK-NPR72GDR 5LXPYT

Pos No.	Parts No	Parts Name	Qty	Unit	Technical Data	Serial No (Start)	Serial No (End)	Remarks	Pages
1	42231241000	SWING FRAME	1						
2	37000151880	PIN	2						
3	37000509190	PLATE	2						
4	90191512025	BOLT	4		M12X25				
5	90302041201	WASHER,SPRING	4		12				
6	37000151870	PIN	1						
7	90236203608	NUT,CASTLE	1		M36				
8	80136363071	PIN,SPLIT	1		6.3X71				
9	90303073601	WASHER,PLAIN	1		36				
10	42230600500	COVER	1						
11	90101208012	BOLT	4		M8X12				
12	90302040801	WASHER,SPRING	4		8				
13	82459203000	NIPPLE,GREASE	1		C-PT1/8				
41	82400000205	GROMMET	2						

AT-115S-1 42053141212 UPPER,LOWER,ISUZU KK-NPR72GDR 5LXPYT

Pos No.	Parts No	Parts Name	Qty	Unit	Technical Data	Serial No (Start)	Serial No (End)	Rem
72	(*****)	P-ROM	1					
73	(*****)	P-ROM	1					
92	42331227700	BUTTON (FOR SWITCH)	1					
100	42331591001	BOX,OPERATION	1					

AT-115S-1 42053141212 UPPER,LOWER,ISUZU KK-NPR72GDR 5LXPYT
PN1012281-00 ELEC.ASSY (ANGLE/LENGTH)



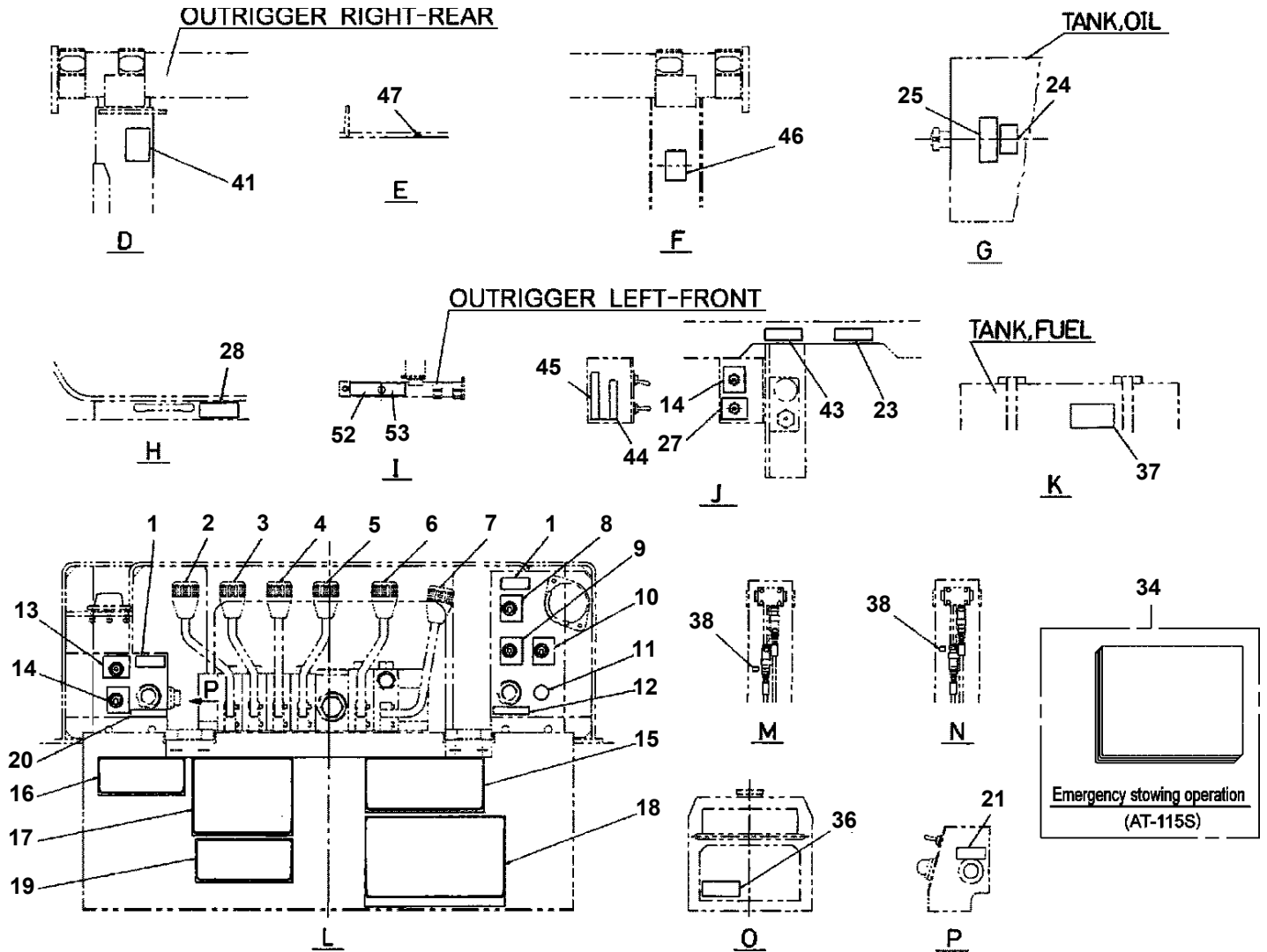
AT-115S-1 42053141212 UPPER,LOWER,ISUZU KK-NPR72GDR 5LXPYT

Pos No.	Parts No	Parts Name	Qty	Unit	Technical Data	Serial No (Start)	Serial No (End)	Remarks	Pages
1	82119444102	CONNECTOR	4						
2	37001504620	U-BOLT	6						
3	90201200800	NUT	24		M8				
4	42477390102	LAMP	3		FP-5				
5	82100002006	CLAMP	18		WR10				
6	90201200600	NUT	18		M6				
7	90302040601	WASHER,SPRING	18		6				
8	42477391000	BREAKER	1						000121
9	80172805014	SCREW,MACHINE	4		M5X14				
10	90302040501	WASHER,SPRING	4		5				
11	90101206016	BOLT	3		M6X16				
12	91810130250	FASTENER	22						
13	80172804014	SCREW,MACHINE	8		M4X14				
14	82113111003	TERMINAL	4						
15	80175804016	SCREW,MACHINE	8		M4X16				
16	42477390200	HARNESS	1						000063
17	90201200500	NUT	4		M5				
18	42477390300	COVER	1						
19	42435020101	GUARD	3						

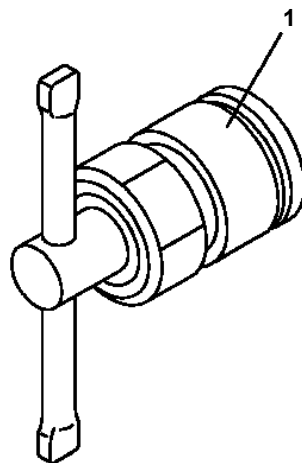
AT-115S-1 42053141212 UPPER,LOWER,ISUZU KK-NPR72GDR 5LXPYT

Pos No.	Parts No	Parts Name	Qty	Unit	Technical Data	Serial No (Start)	Serial No (End)	Remarks	Pages
1	82119444102	CONNECTOR	4						
2	37001504620	U-BOLT	8						
3	90201200800	NUT	32		M8				
4	42355830100	LAMP	4						
5	82100002006	CLAMP	15		WR10				
6	90201200600	NUT	15		M6				
7	90302040601	WASHER,SPRING	15		6				
8	42477391000	BREAKER	1						000121
9	80172805014	SCREW,MACHINE	4		M5X14				
10	90302040501	WASHER,SPRING	4		5				
11	90101206016	BOLT	3		M6X16				
12	91810130250	FASTENER	22						
13	80172804014	SCREW,MACHINE	8		M4X14				
14	82113111003	TERMINAL	4						
15	80175804016	SCREW,MACHINE	8		M4X16				
16	42355830200	PLATE	1						
17	90201200500	NUT	4		M5				
18	42477390300	COVER	1						
19	42263960360	BOX	2						
20	42435020101	GUARD	4						
23	42477390102	LAMP	4		FP-5				
54	82400000215	GROMMET	4						

**AT-115S-1 42053141212 UPPER,LOWER,ISUZU KK-NPR72GDR 5LXPYT
PO1012987-02 PLATE ASSY,NAME (LOWER)**



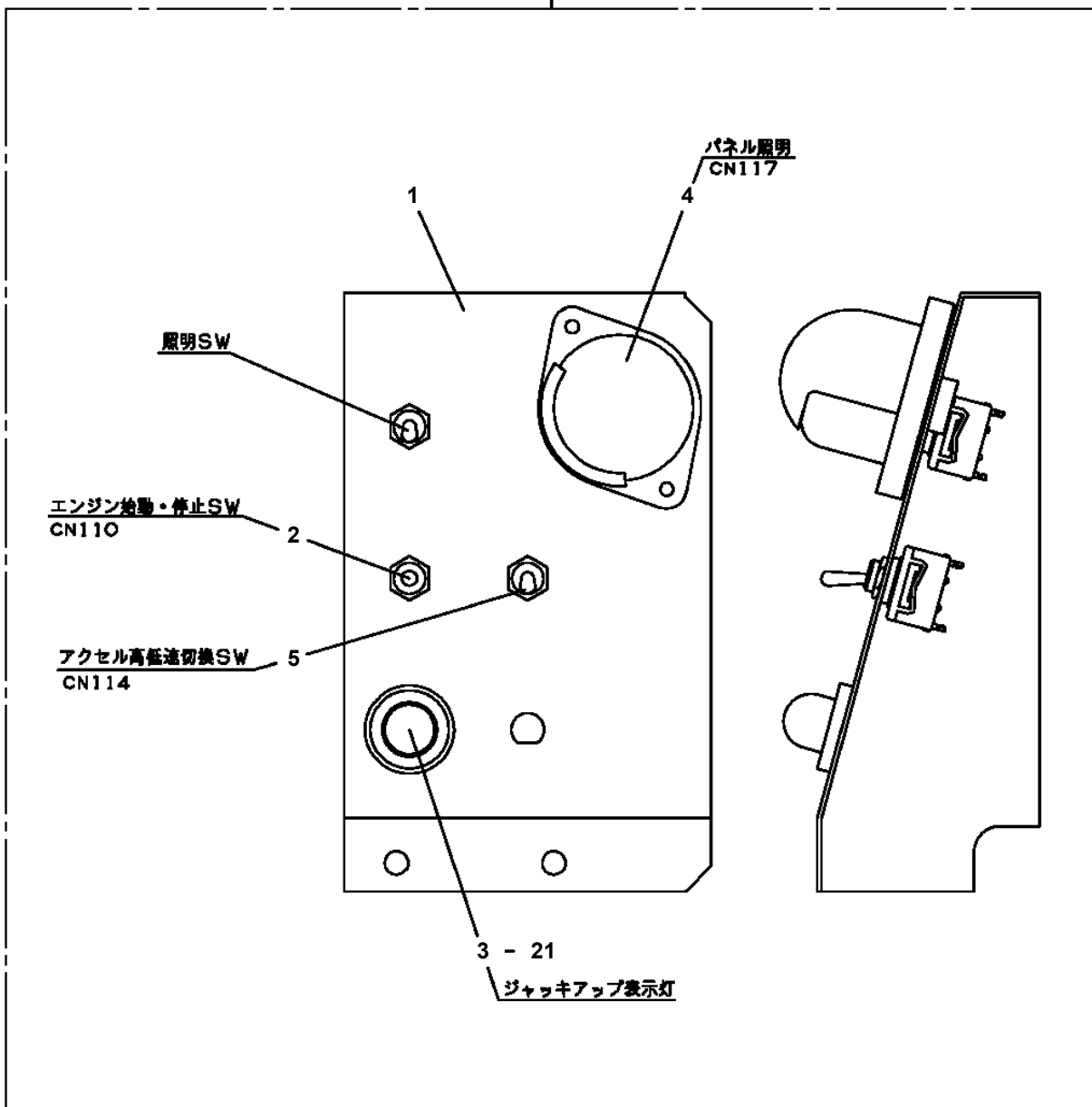
AT-115S-1 42053141212 UPPER,LOWER,ISUZU KK-NPR72GDR 5LXPYT
PP5550001-00 PRESSURE DEJECTA (MAIL,3/8)



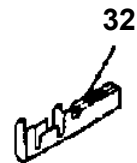
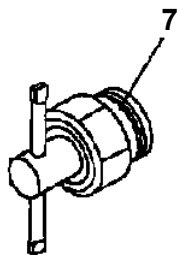
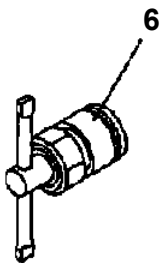
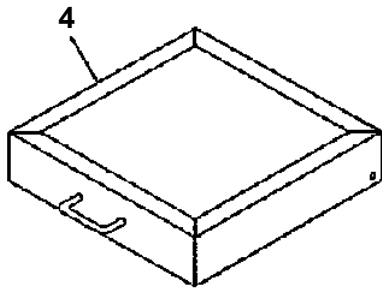
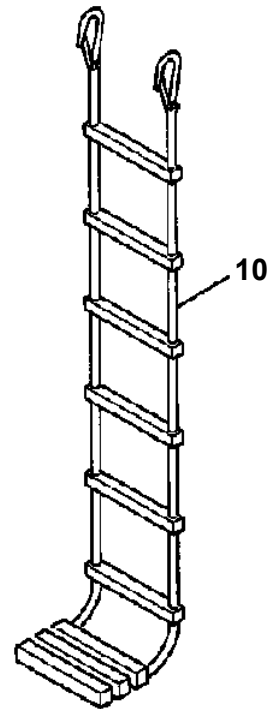
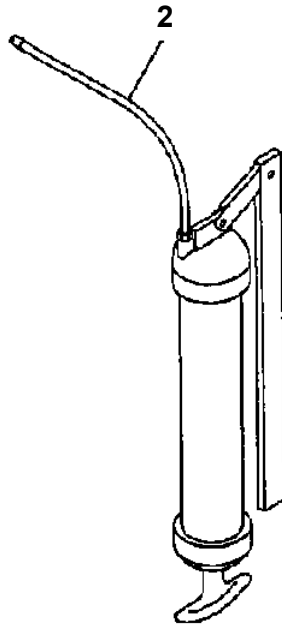
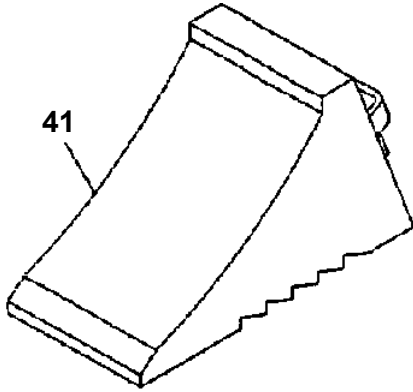
圧抜き工具 3/8オス用

AT-115S-1 42053141212 UPPER,LOWER,ISUZU KK-NPR72GDR 5LXPYT
PS5530308-00 SWITCH ASSY

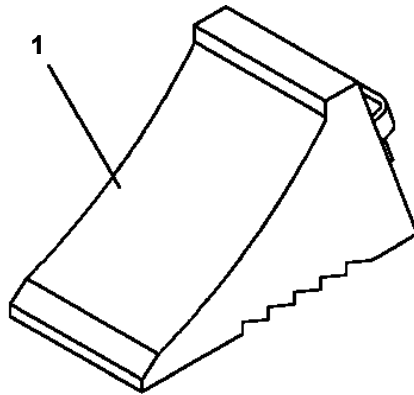
100



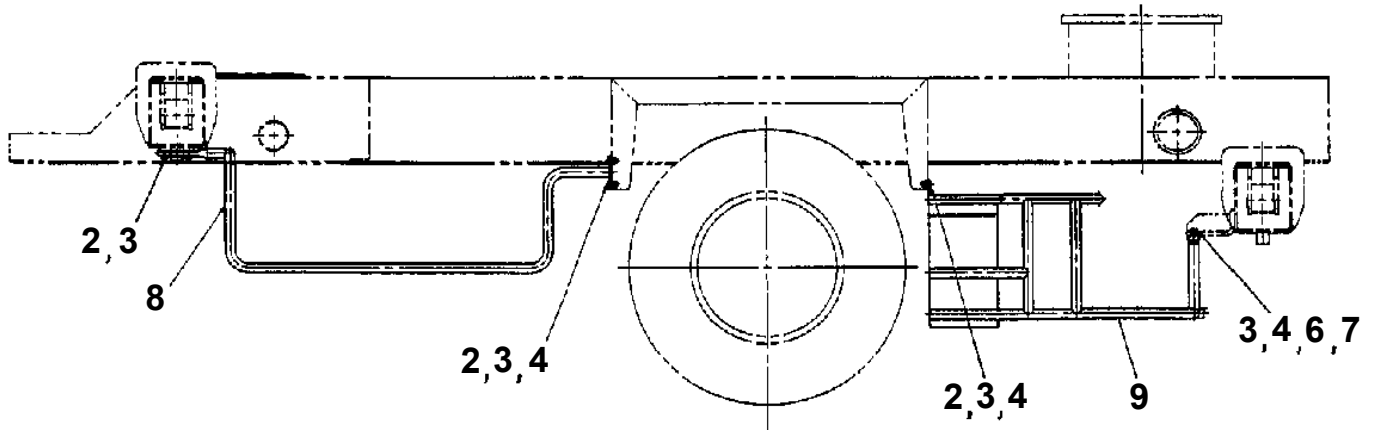
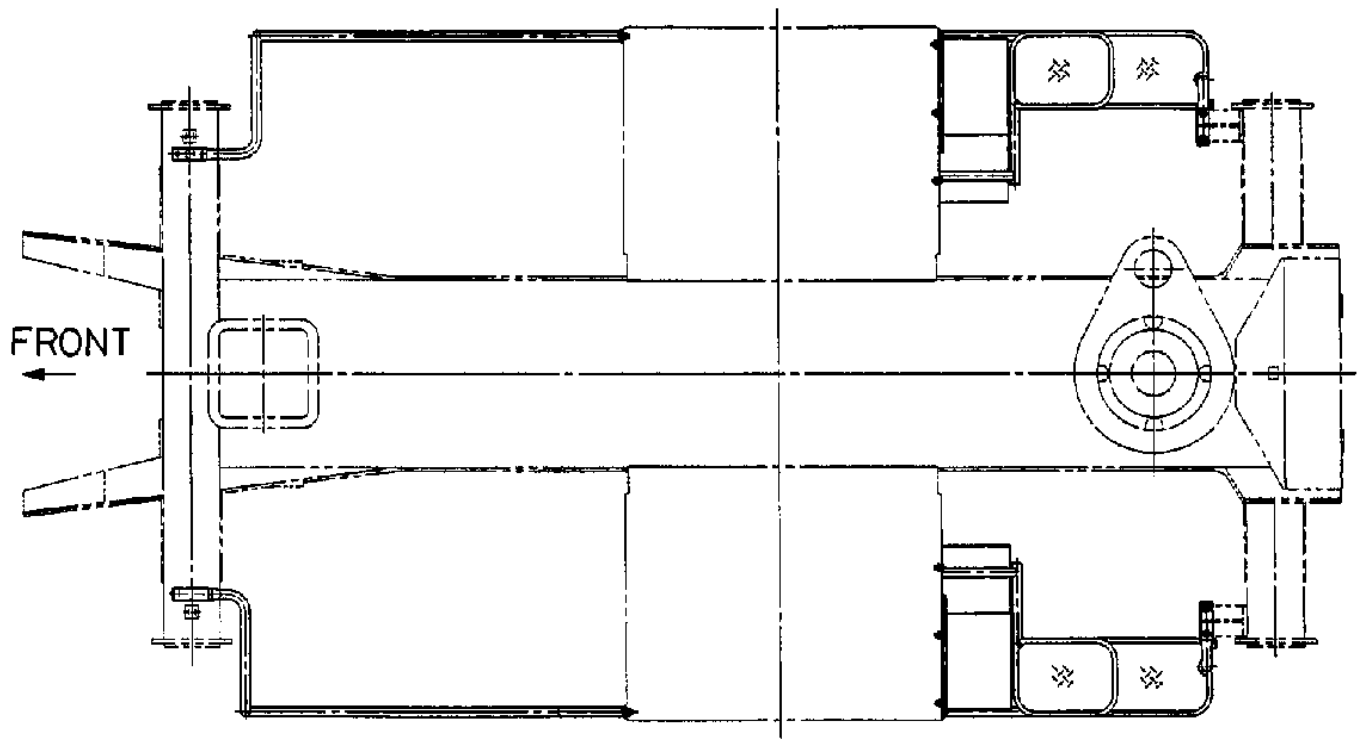
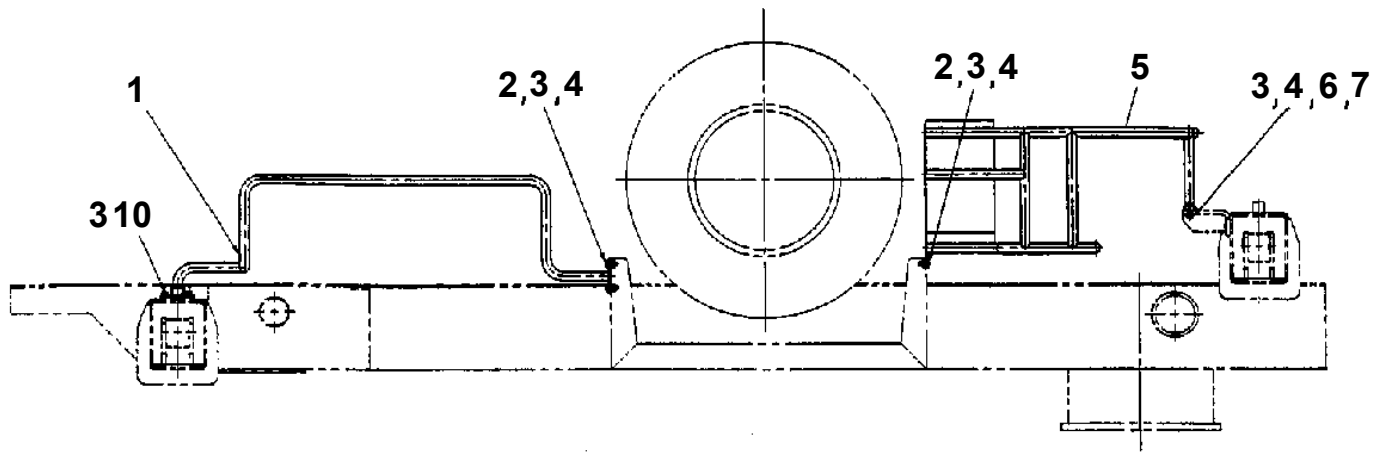
AT-115S-1 42053141212 UPPER,LOWER,ISUZU KK-NPR72GDR 5LXPYT
PW1010230-03 ACCESSORIES



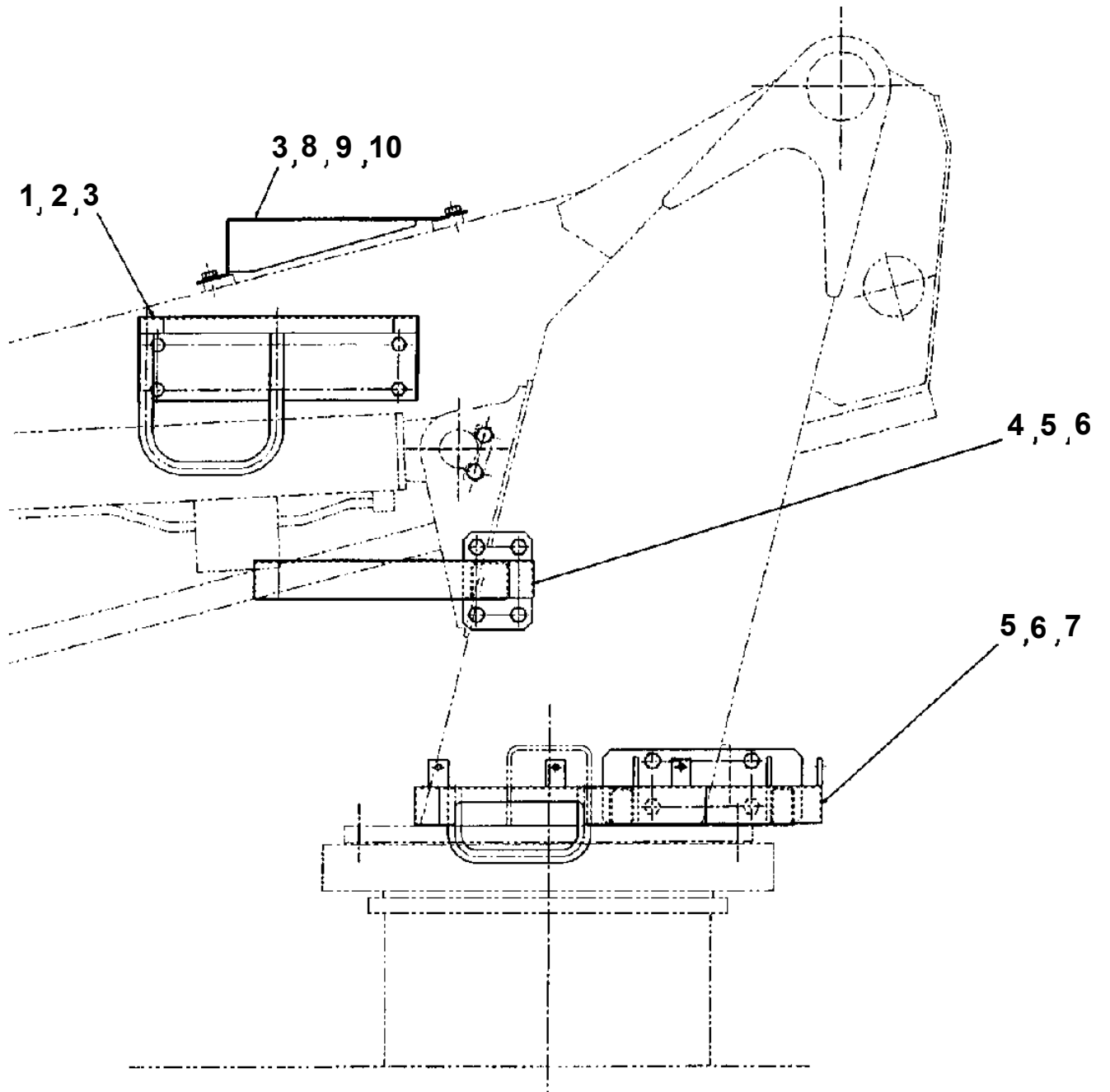
**AT-115S-1 42053141212 UPPER,LOWER,ISUZU KK-NPR72GDR 5LXPYT
PW5110003-00 WEDGE (STOPPER FOR TIRE/NAKAMURA KIKI)**



AT-115S-1 42053141212 UPPER,LOWER,ISUZU KK-NPR72GDR 5LXPYT
PX1200361-00 SIDE GUARD INSTALLATION



**AT-115S-1 42053141212 UPPER,LOWER,ISUZU KK-NPR72GDR 5LXPYT
PX1260141-00 STEP INSTALLATION**



CLICK HERE TO **DOWNLOAD** THE COMPLETE MANUAL

- Thank you very much for reading the preview of the manual.
- You can download the complete manual from: www.heydownloads.com by clicking the link below



- Please note: If there is no response to CLICKING the link, please download this PDF first and then click on it.

CLICK HERE TO **DOWNLOAD** THE COMPLETE MANUAL