

AT-110-5 42084540992 UPPER,LOWER,ISUZU TPG-NKR85AN-EE5AHY-JM

PB0000275-02 UPPER STRUCTURE SYSTEM

PB0000500-02 LOWER STRUCTURE SYSTEM

ASSEMBLY

CLICK HERE TO **DOWNLOAD** THE COMPLETE MANUAL

- Thank you very much for reading the preview of the manual.
- You can download the complete manual from: www.heydownloads.com by clicking the link below



- Please note: If there is no response to CLICKING the link, please download this PDF first and then click on it.

CLICK HERE TO **DOWNLOAD** THE COMPLETE MANUAL

AT-110-5 42084540992 UPPER,LOWER,ISUZU TPG-NKR85AN-EE5AHY-JM

PY2120001-00 BOX,TOOL (FOR BUCKET)

PY2120005-00 BOX,TOOL (FOR BUCKET,FRP)

PY2350004-01 SWITCH,BOOSTER

PY2350006-01 SWITCH,BOOSTER

PY4000033-02 OPTION UNIT,1 (LOWER)

PY5020164-00 ACCESSORIES ASSY (WITHOUT BLOCK,RUBBER)

PY5310022-00 AUTOMATIC MOTION CONTROLLER

PY5310030-00 AUTOMATIC MOTION CONTROLLER

PY5360042-00 ACCESSORY LIST (ENGINE)

PZ0000000-00 MAT

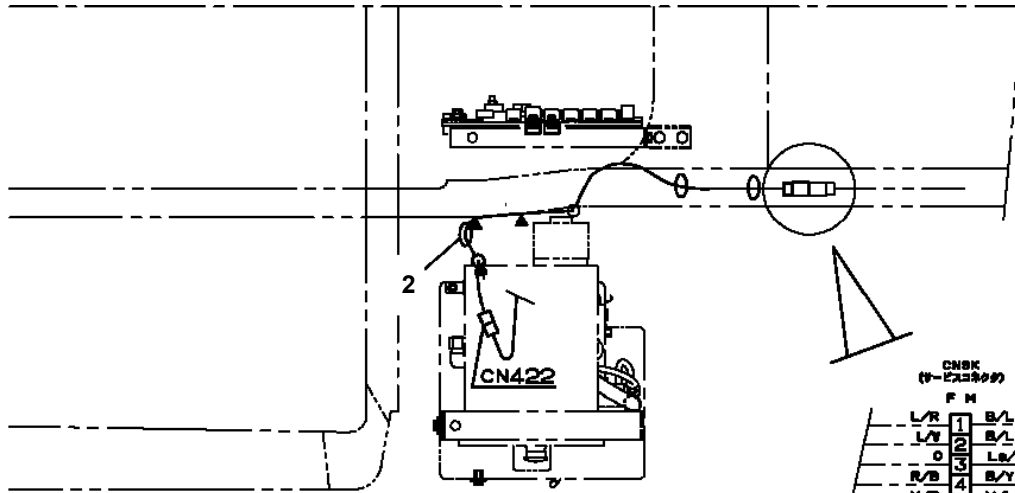
AT-110-5 42084540992 UPPER,LOWER,ISUZU TPG-NKR85AN-EE5AHY-JM

Pos No.	Parts No	Parts Name	Qty	Unit	Technical Data	Serial No (Start)	Serial No (End)	Remarks
1	90101208016	BOLT	2		M8X16			
2	90302040801	WASHER,SPRING	2		8			
3	36630910060	NEEDLE	1					
4	36630910030	HOLDER	1					
5	91002801000	O-RING	1		1B P10			
6	91410001000	RING,BACKUP	1		P10			
8	36630910050	POPPET	1					
9	52255101000	SPRING	1					
10	91002801400	O-RING	1		1B P14			
11	36620030050	PLUG	1					
12	82400000350	KNOB	1					
13	37000508510	PLATE	1					
14	80172303006	SCREW,MACHINE	1		M3X6			
100	36636340000	VALVE,MANUAL CONTROL	1					

AT-110-5 42084540992 UPPER,LOWER,ISUZU TPG-NKR85AN-EE5AHY-JM

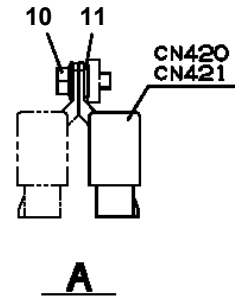
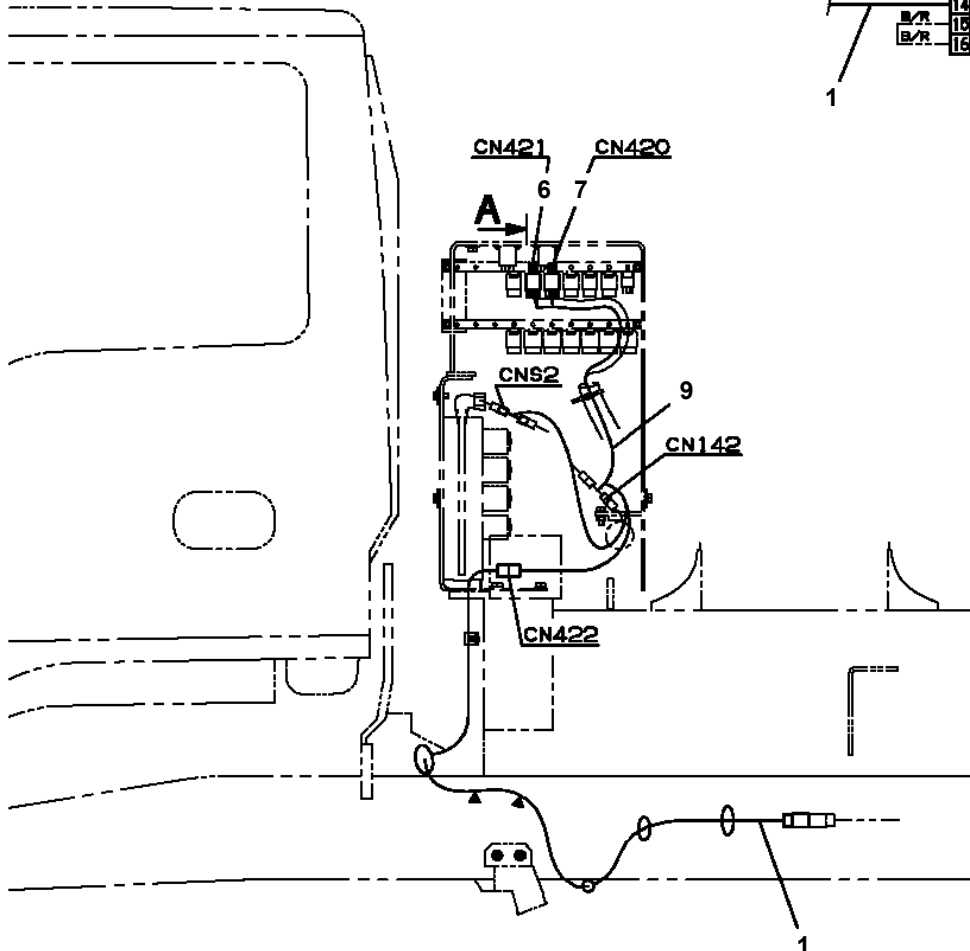
Pos No.	Parts No	Parts Name	Qty	Unit	Technical Data	Serial No (Start)	Serial No (End)
1	42203049510	BOOM,BASE	1				
2	42203062000	BOOM,2ND	1				
3	42203061000	BOOM, TOP	1				
5	42200484100	PLATE	N		T=0.8		
6	42200810020	PIN	1				
7	42202400010	SUPPORT	1				
8	42202400060	ROLLER	2				
9	42202400070	PLATE	2				
11	42202400090	PLATE	N		T=0.5		
13	42202400130	PLATE	N		T=0.5		
14	42202400140	PLATE	12		T=0.8		
15	42202400160	PLATE	N		T=0.8		
17	42202980200	SHEAVE ASSY	1				
18	31630302000	PLATE	N		T=1.5		
19	31631222000	CAP	4				
20	37000118960	PIN	2				
21	37000136510	PIN	4				
22	37000136530	PIN	2				
23	37000155030	PIN	2				
24	37000181820	PIN	1				
25	37000187050	PIN	1				
26	37000187080	PIN	2				
27	37000401810	BEARING,PLAIN	2				
28	37000558530	PLATE	1		T=9		
29	37000573190	PLATE	N		T=1.0		
31	37000584990	PLATE	N		T=0.8		
32	37001924210	ROPE,WIRE (TESAC)	2		8X6.21M		
	37001924240	ROPE,WIRE (J-WITEX)	2		8X6.21M		
33	37001924220	ROPE,WIRE (TESAC)	2		7X3.36M		
	37001924270	ROPE,WIRE (J-WITEX) 7X3.36M>	2				
34	37002016220	PLATE,SLIDE	2		T=12		HK1784
	37002018500	PLATE,SLIDE	2			HK1785	
35	37002018260	PLATE,SLIDE	2				
36	37002018460	PLATE,SLIDE	2		T=12		
38	37002018510	PLATE,SLIDE	4				
39	37002018540	PLATE,SLIDE	4				HK1784
	37002005260	PLATE,SLIDE	4			HK1785	
40	37002018970	PLATE,SLIDE	4		T=10		
41	37002018980	PLATE,SLIDE	2		T=12		
42	37002018530	PLATE,SLIDE	2		T=25		
43	37010101720	PIN	1				
44	80136363056	PIN,SPLIT	1		6.3X56		
45	80184306012	SCREW,MACHINE	6		M6X12		
46	80601110200	RING,RITAINING	6		S20		
47	80602110300	RING,RITAINING	7		R30		
48	80801003025	BEARING,PLAIN	1				
49	82455106000	NIPPLE,GREASE	4		A-M6F FE		
51	90171108020	BOLT	12		M8X20		
52	90171110022	BOLT	4		M10X22		
53	90171110025	BOLT	12		M10X25		
54	90171208030	BOLT	8		M8X30		
55	90172110020	BOLT,HEXAGON SOCKET	2		M10X20		
56	90202481200	NUT	8		M12		
57	90238403008	NUT,CASTLE	1		M30X2		
59	90302040801	WASHER,SPRING	20		8		
60	90302041001	WASHER,SPRING	14		10		
61	90303071001	WASHER,PLAIN	12		10		
62	90303073001	WASHER,PLAIN	1		30		
63	90171110020	BOLT	4		M10X20		
64	37002018480	PLATE,SLIDE	2				
65	37000584970	PLATE	N		T=0.8		
66	90101206016	BOLT	4		M6X16		HK2522
	90172106016	BOLT,HEXAGON SOCKET	4		M6X16	HK2523	

AT-110-5 42084540992 UPPER,LOWER,ISUZU TPG-NKR85AN-EE5AHY-JM
PB5390003-00 BUZZER ASSY (JACK CONTROL ALARM)

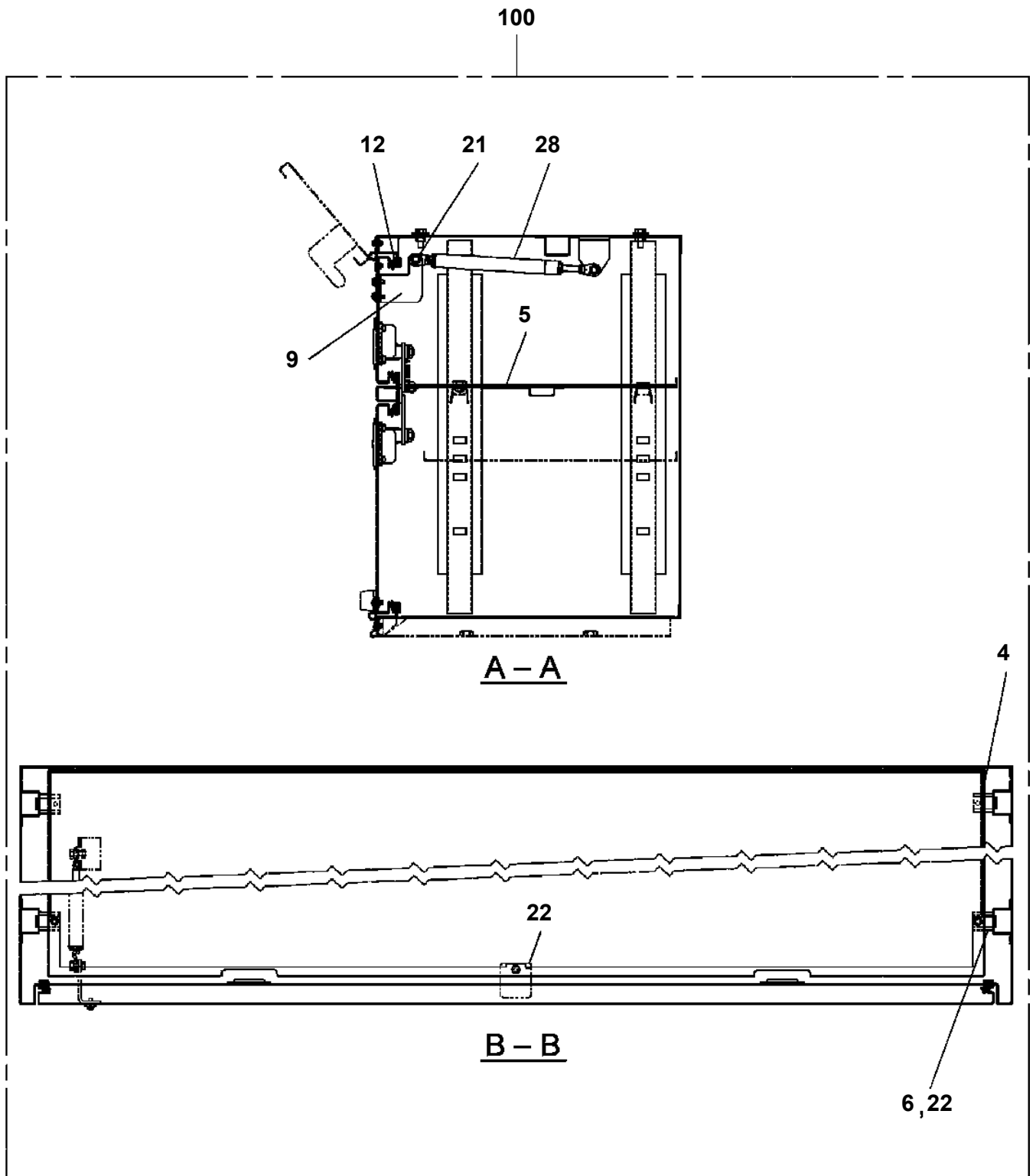


CNSK
(9-233900)

F M		
L/R	1	B/L E/ON止 (1-2線付線)
L/Y	2	B/L E/ON止 (1-2線付線)
O	3	L/B/D
R/B	4	B/Y DPD付線
V/R	5	W/L KEYON線
0	6	E/ON付線 (2線付線)
B/Y	7	0 フォトリレー線
Y	8	B/O E/ON付 (2-4V線付線)
B/Y	9	V/Y PTDR付 (ON付線)
Y/L	10	B/S ニュートラルスイッチ線
B/L	11	Y ニュートラルスイッチ線
B/L	12	B/L ニュートラルスイッチ線
0	13	R/Y ニュートラルスイッチ線
0	14	0 スモールランプ
B/R	15	B エンジン検知線
B/R	16	B/R エンジン検知線



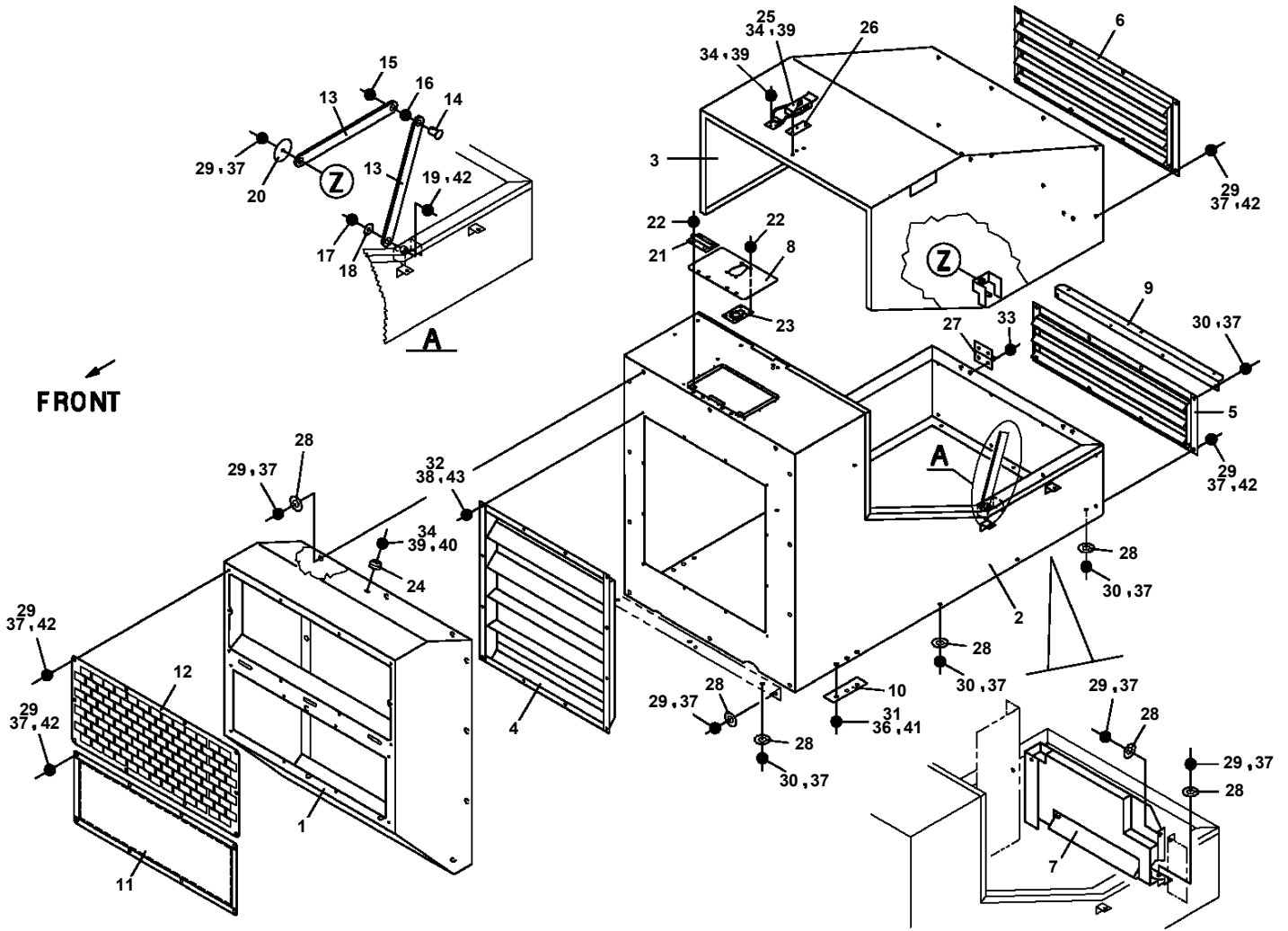
AT-110-5 42084540992 UPPER,LOWER,ISUZU TPG-NKR85AN-EE5AHY-JM
PB5410110-01 BOX,TOOL



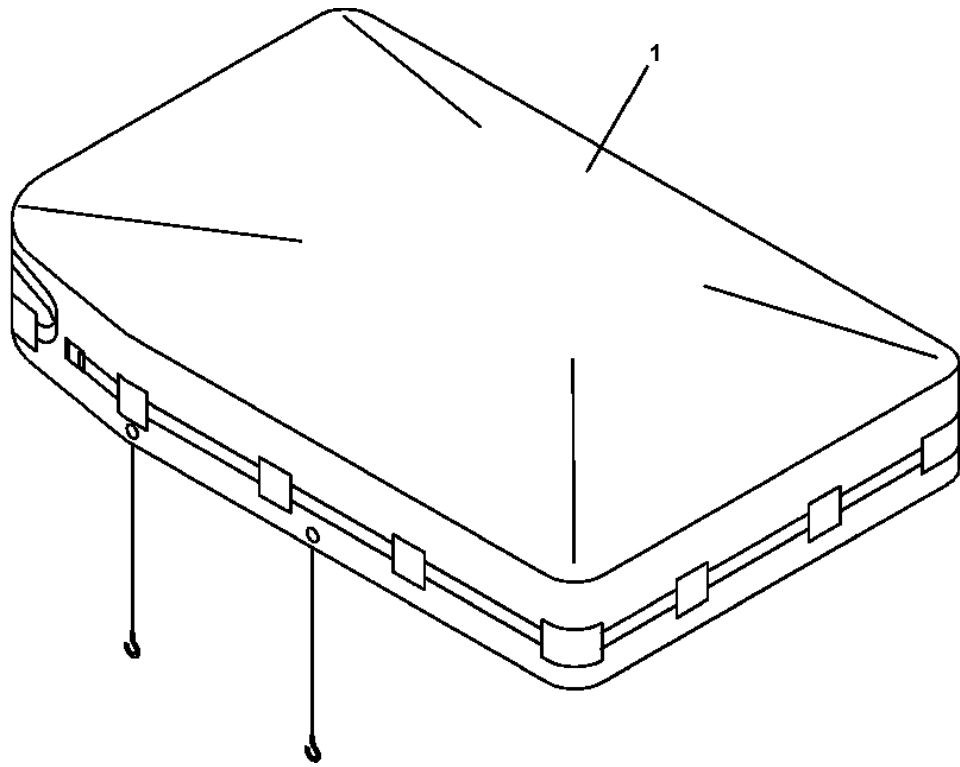
**AT-110-5 42084540992 UPPER,LOWER,ISUZU TPG-NKR85AN-EE5AHY-JM
PC5390002-01 CONTROL ASSY,OUTRIGGE(JACK HORIZONTAL+GRADIENT WARN**

指示番号 KEY NO.	コントロールASSY,アウトリガ (シ ャツキシ ト ウスイヘイ+ケイシヤチケイホウ) CONTROL ASSY,OUTRIGGE (JACK HORIZONTAL+GRADIENT WARNING)
1	ハイセンASSY (ケイシヤチ ケイコク) ELEC.ASSY (GRADIENT WARNING)
.4	ハイカンASSY PIPING ASSY

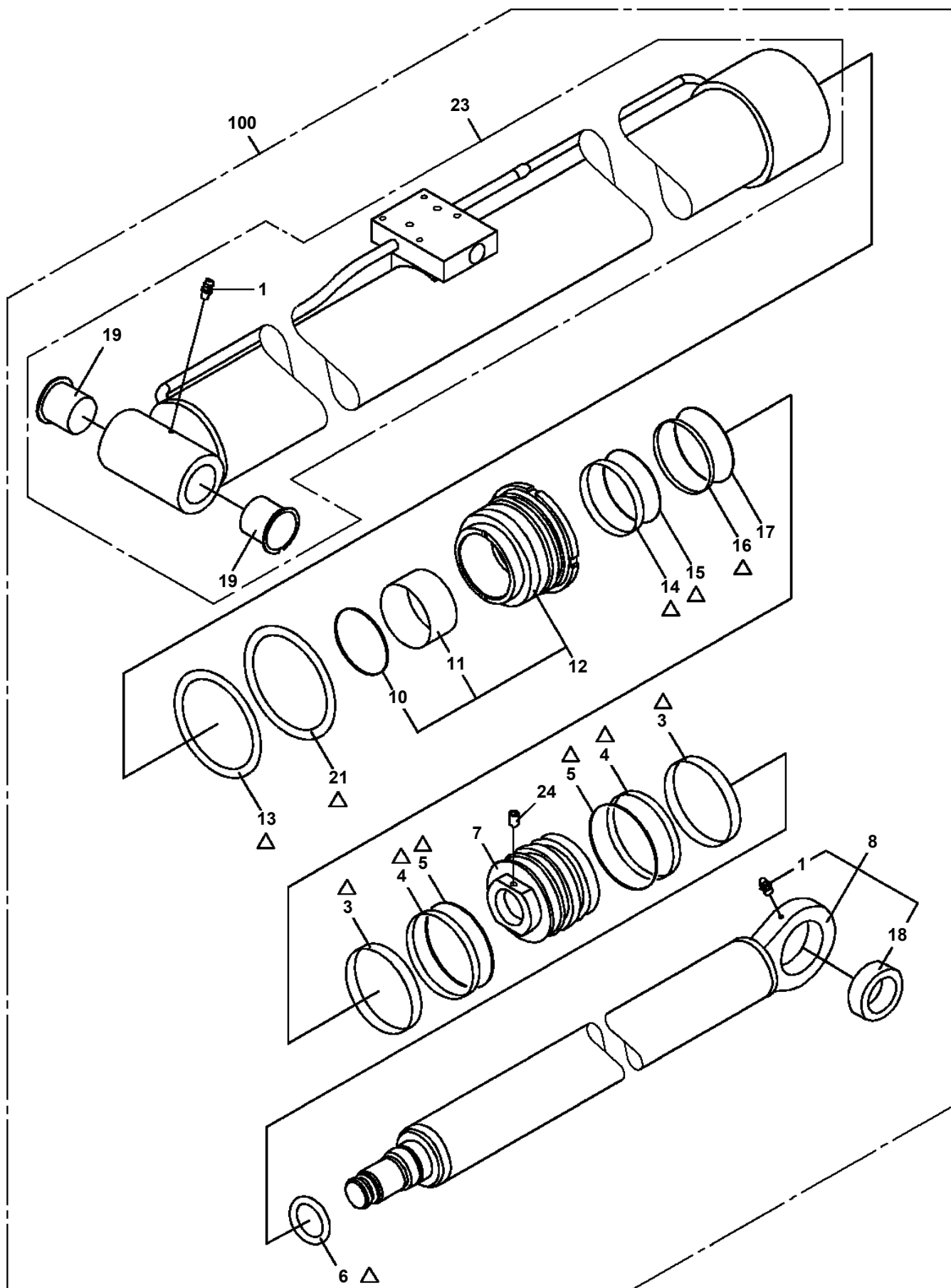
**AT-110-5 42084540992 UPPER,LOWER,ISUZU TPG-NKR85AN-EE5AHY-JM
PC5570069-00 COVER ASSY (ENGINE UNIT)**



AT-110-5 42084540992 UPPER,LOWER,ISUZU TPG-NKR85AN-EE5AHY-JM
PC5570105-00 COVER

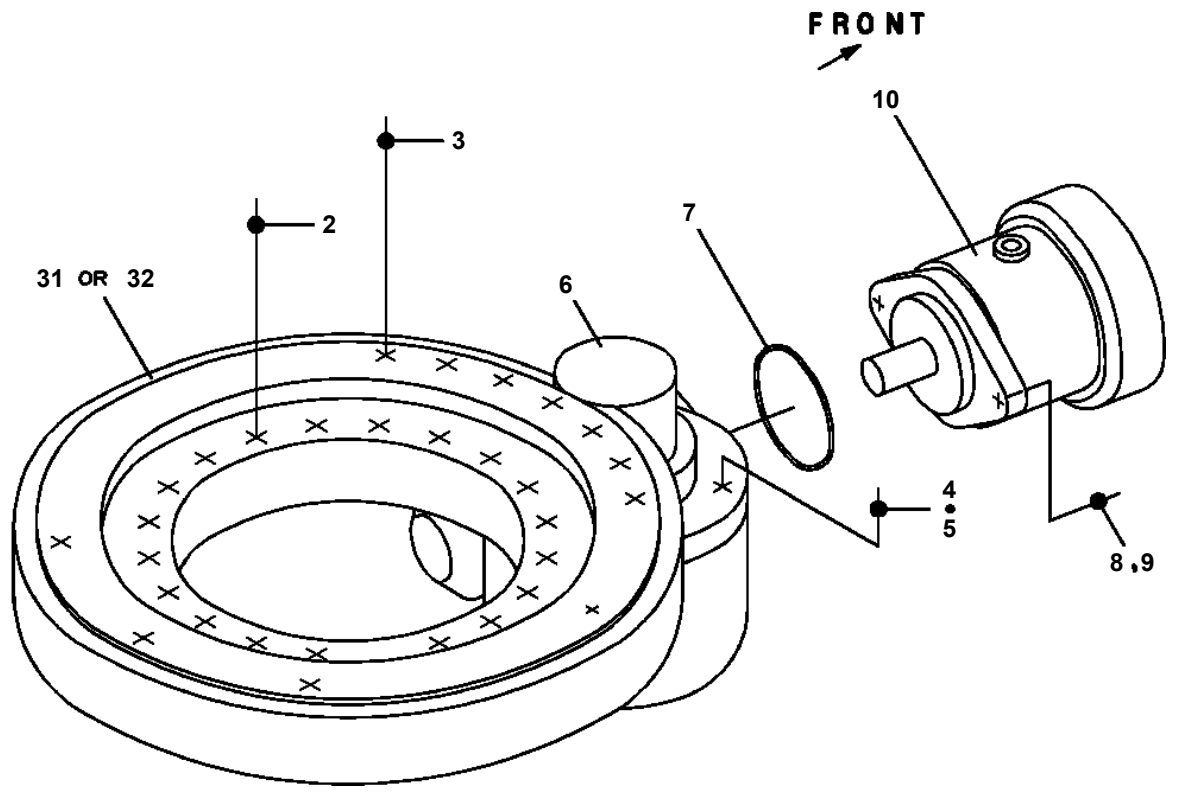


**AT-110-5 42084540992 UPPER,LOWER,ISUZU TPG-NKR85AN-EE5AHY-JM
PC6370024-00 CYLINDER ASSY,DERRICK**

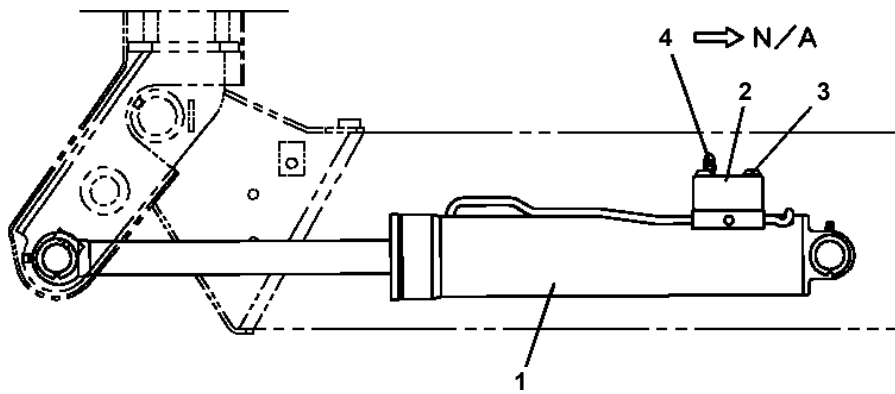


△:PACKING SET KEY NO.80 (KEY NO.3,4,5,6,13,14,15,16,21)

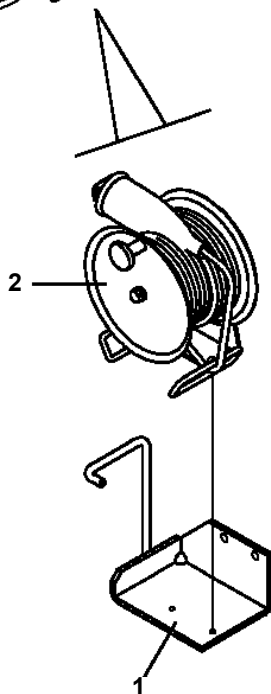
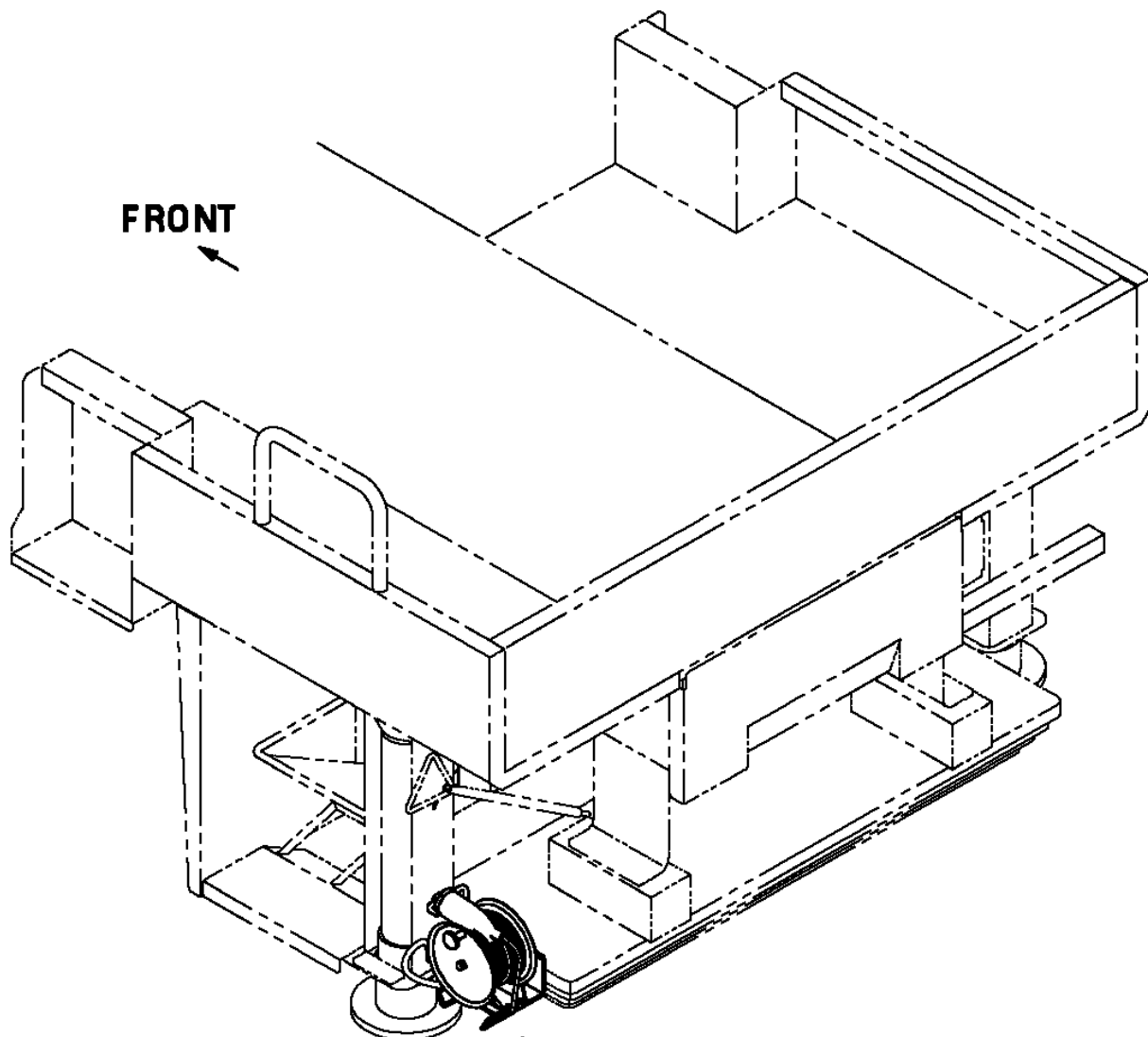
AT-110-5 42084540992 UPPER,LOWER,ISUZU TPG-NKR85AN-EE5AHY-JM
PD1010153-00 REDUCER,SWING SPEED (MOUNT)



**AT-110-5 42084540992 UPPER,LOWER,ISUZU TPG-NKR85AN-EE5AHY-JM
PE1050138-02 CYLINDER,LEVELING (UPPER)**



AT-110-5 42084540992 UPPER,LOWER,ISUZU TPG-NKR85AN-EE5AHY-JM
PE5010042-00 EARTH ASSY (8X20M)



AT-110-5 42084540992 UPPER,LOWER,ISUZU TPG-NKR85AN-EE5AHY-JM

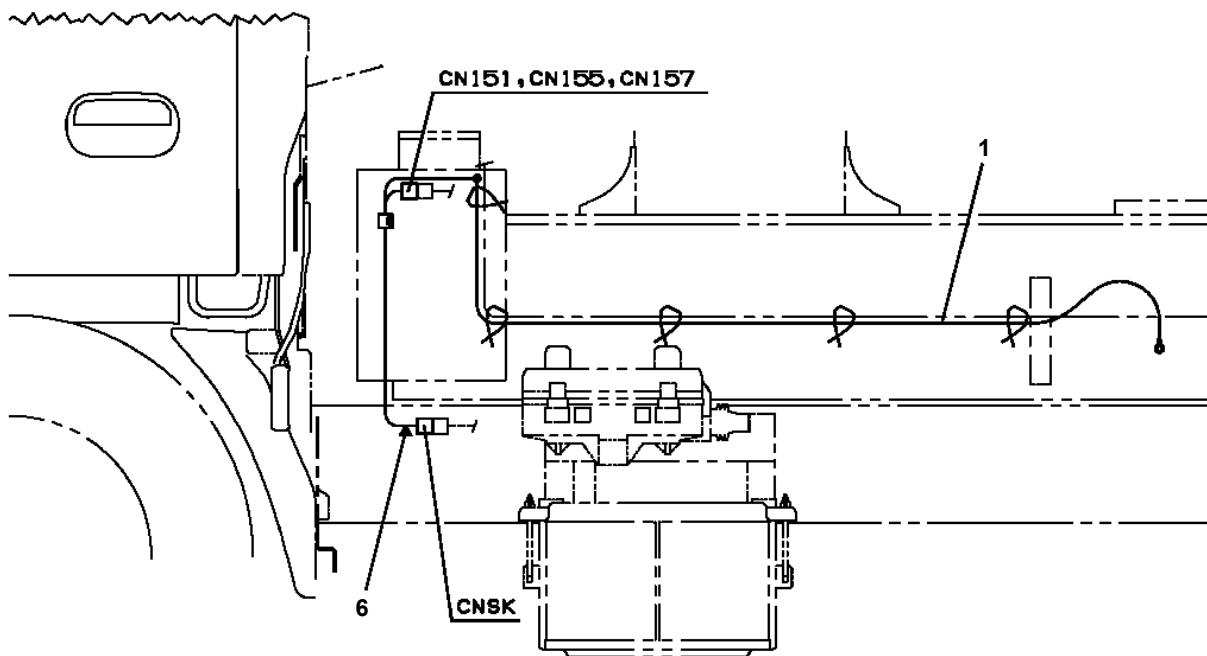
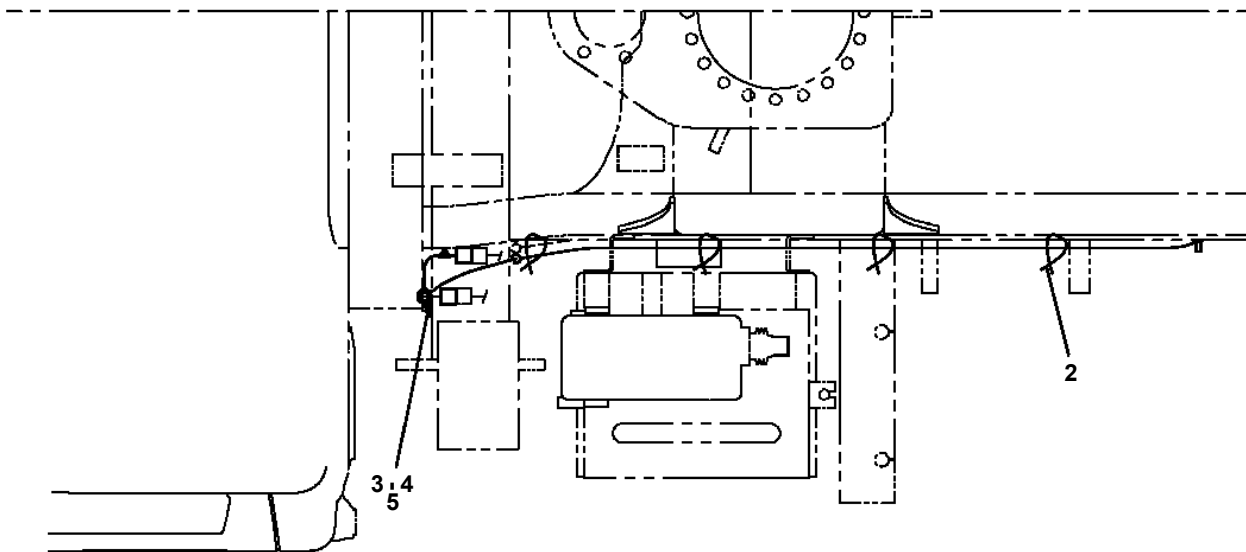
Pos No.	Parts No	Parts Name	Qty	Unit	Technical Data	Serial No (Start)	Serial No (End)	Remarks
1	36140510000	DETECTOR ASSY,ANGLE	1					
2	42652480010	PLATE	1					
3	42651620400	COVER	1					
4	90101208016	BOLT	6		M8X16			
5	90302040801	WASHER,SPRING	6		8			
6	90101206014	BOLT	2		M6X14			
7	90302040601	WASHER,SPRING	2		6			
8	91810130240	FASTENER	8					
9	37000500060	PLATE	2					
11	42509460100	HARNES	1					
12	82100002596	RELAY	1					
13	90186206014	BOLT,FLANGE	1		M6X14			
31	82400000201	GROMMET	1		KG-016			

AT-110-5 42084540992 UPPER,LOWER,ISUZU TPG-NKR85AN-EE5AHY-JM

Pos No.	Parts No	Parts Name	Qty	Unit	Technical Data	Serial No (Start)	Serial No (End)	Remarks	Pages
1	42422792100	RELAY BOX ASSY	1						000219
3	42422792200	HARNESS	1						00012
4	90101208014	BOLT	3		M8X14				
5	90302040801	WASHER,SPRING	3		8				
6	91850400601	CLAMP	6						
9	91810132530	FASTENER	7						

AT-110-5 42084540992 UPPER,LOWER,ISUZU TPG-NKR85AN-EE5AHY-JM
PE5070082-00 ELEC.ASSY,CARRIER

FRONT ←



AT-110-5 42084540992 UPPER,LOWER,ISUZU TPG-NKR85AN-EE5AHY-JM

Pos No.	Parts No	Parts Name	Qty	Unit	Technical Data	Serial No (Start)	Serial No (End)	Remarks	Page
1	90171108040	BOLT	6		M8X40				
3	90302040801	WASHER,SPRING	8		8				
4	90201780800	NUT	3		M8				
5	42422262300	PIPE,FLEXIBLE	1						
6	90101210020	BOLT	2		M10X20				
7	90302041001	WASHER,SPRING	4		10				
8	90201201000	NUT	4		M10				
9	42422642100	MUFFLER	1						
10	42422262010	PLATE	1						
11	90162260500	U-BOLT	1		50AXM10				
12	42422642200	SUPPORT	1						
13	90101208020	BOLT	2		M8X20				
14	90303070801	WASHER,PLAIN	2		8				
31	36361361040	GASKET (EXHAUST)	1						
41	36361361050	MUFFLER	1						

AT-110-5 42084540992 UPPER,LOWER,ISUZU TPG-NKR85AN-EE5AHY-JM

Pos No.	Parts No	Parts Name	Qty	Unit	Technical Data	Serial No (Start)	S
1	42461162000	FALL ARREST SYSTEM (TB-LSA-550/FUJII-DENKO)	1				

AT-110-5 42084540992 UPPER,LOWER,ISUZU TPG-NKR85AN-EE5AHY-JM

Pos No.	Parts No	Parts Name	Qty	Unit	Technical Data	Serial No (Start)	Serial No (End)
1	36198040000	AUTOMATIC MOTION CONTROLLER	1				HK0929
	36198040001	AUTOMATIC MOTION CONTROLLER	1			HK0930	

AT-110-5 42084540992 UPPER,LOWER,ISUZU TPG-NKR85AN-EE5AHY-JM

Pos No.	Parts No	Parts Name	Qty	Unit	Technical Data	Serial No (Start)	Serial No (End)	Remarks
1	42739693110	DISPLAY	1					
2	42807401150	CABLE	1					
3	42739931150	CAMERA	1					
30	42970011100	VIEW SYSTEM (MAIN UNIT)	1					

AT-110-5 42084540992 UPPER,LOWER,ISUZU TPG-NKR85AN-EE5AHY-JM

Pos No.	Parts No	Parts Name	Qty	Unit	Technical Data	Serial No (Start)	Serial No (End)	Remarks
2	42739697510	CABLE ASSY	1					
3	42739697540	CABLE ASSY	1					
4	42739697520	CLIP	1					
5	42739697530	REMOTE CONTROL ASSY	1					
100	42739693110	DISPLAY	1					

AT-110-5 42084540992 UPPER,LOWER,ISUZU TPG-NKR85AN-EE5AHY-JM

Pos No.	Parts No	Parts Name	Qty	Unit	Technical Data	Serial No (Start)	Serial No (End)	Remarks	Pages
100	42509460100	HARNESS	1						

AT-110-5 42084540992 UPPER,LOWER,ISUZU TPG-NKR85AN-EE5AHY-JM

Pos No.	Parts No	Parts Name	Qty	Unit	Technical Data	Serial No (Start)	Serial No (End)	Remarks	Pages
100	42971491100	HARNESS	1						

AT-110-5 42084540992 UPPER,LOWER,ISUZU TPG-NKR85AN-EE5AHY-JM

Pos No.	Parts No	Parts Name	Qty	Unit	Technical Data	Serial No (Start)	Serial No (End)	Remarks	Pages
100	42937060100	HARNESS	1						

AT-110-5 42084540992 UPPER,LOWER,ISUZU TPG-NKR85AN-EE5AHY-JM

Pos No.	Parts No	Parts Name	Qty	Unit	Technical Data	Serial No (Start)	Serial No (End)	Remarks	Pages
100	42654790310	HARNESS	1						

AT-110-5 42084540992 UPPER,LOWER,ISUZU TPG-NKR85AN-EE5AHY-JM

Pos No.	Parts No	Parts Name	Qty	Unit	Technical Data	Serial No (Start)	Serial No (End)	Remarks	Pages
1	82182819823	DIODE	7		1.5A				
100	42422792200	HARNESS	1						

AT-110-5 42084540992 UPPER,LOWER,ISUZU TPG-NKR85AN-EE5AHY-JM

Pos No.	Parts No	Parts Name	Qty	Unit	Technical Data	Serial No (Start)	Serial No (End)	Remarks	Pages
100	42332521500	HARNESS	1						

AT-110-5 42084540992 UPPER,LOWER,ISUZU TPG-NKR85AN-EE5AHY-JM

Pos No.	Parts No	Parts Name	Qty	Unit	Technical Data	Serial No (Start)	Serial No (End)	Remarks	Pages
100	42512411101	HARNESS	1						

AT-110-5 42084540992 UPPER,LOWER,ISUZU TPG-NKR85AN-EE5AHY-JM

Pos No.	Parts No	Parts Name	Qty	Unit	Technical Data	Serial No (Start)	Serial No (End)	Remarks	Pages
100	42422263011	HARNESS	1						

AT-110-5 42084540992 UPPER,LOWER,ISUZU TPG-NKR85AN-EE5AHY-JM

Pos No.	Parts No	Parts Name	Qty	Unit	Technical Data	Serial No (Start)	Serial No (End)	Remarks
1	36741765010	NUT	2					
2	36741765020	O-RING	2					
3	36741765030	CORE ASSY (SOLENOID)	2					
4	36741765040	COIL,SOLENOID	2					
5	36648475110	O-RING	2					
6	36642765050	O-RING	2					
8	91000501200	O-RING	4					
10	36642765060	WASHER (CENTER)	2					
11	36642765080	SPRING	2					
12	36643435040	PIN,SPRING	4					
50	36647690000	VALVE,SOLENOID	1					

AT-110-5 42084540992 UPPER,LOWER,ISUZU TPG-NKR85AN-EE5AHY-JM

Pos No.	Parts No	Parts Name	Qty	Unit	Technical Data	Serial No (Start)	Serial No (End)	Remarks	Pages
3	36625060040	SPRING	1						
4	36625515020	PLUG	1						
5	91002801800	O-RING	1		1B P18				
50	36625510000	VALVE,CHECK	1						

AT-110-5 42084540992 UPPER,LOWER,ISUZU TPG-NKR85AN-EE5AHY-JM

Pos No.	Parts No	Parts Name	Qty	Unit	Technical Data	Serial No (Start)
1	(*****)	BUCKET FRAME ASSY	1			
2	(*****)	ELEC.ASSY,BUCKET	1			
3	(*****)	COVER ASSY (BUCKET FRAME/FRP)	1			
5	(*****)	BUCKET	1			
	(*****)	BUCKET (SI BUCKET/ WHITE,WITH INNER CASE)	1			
11	(*****)	OPE.ASSY,BUCKET (WITH 3-AXIS ENABLE SW/L SPEC.)	1			

AT-110-5 42084540992 UPPER,LOWER,ISUZU TPG-NKR85AN-EE5AHY-JM

Pos No.	Parts No	Parts Name	Qty	Unit	Technical Data	Serial No (Start)	Serial No (End)	Ren
1	42260910100	BUCKET (INNER CASE,OPTION)	1					
2	91850210545	FASTENER	1		L=545			

AT-110-5 42084540992 UPPER,LOWER,ISUZU TPG-NKR85AN-EE5AHY-JM

Pos No.	Parts No	Parts Name	Qty	Unit	Technical Data	Serial No (Start)	Serial No (End)	Remarks	Pages
1	42443160010	COVER	1						
2	42443160020	COVER	1						
3	90183108020	BOLT	6		M8X20				
4	82400000312	GROMMET	1		L=1000				

CLICK HERE TO **DOWNLOAD** THE COMPLETE MANUAL

- Thank you very much for reading the preview of the manual.
- You can download the complete manual from: www.heydownloads.com by clicking the link below



- Please note: If there is no response to CLICKING the link, please download this PDF first and then click on it.

CLICK HERE TO **DOWNLOAD** THE COMPLETE MANUAL

AT-110-5 42084540992 UPPER,LOWER,ISUZU TPG-NKR85AN-EE5AHY-JM

Pos No.	Parts No	Parts Name	Qty	Unit	Technical Data	Serial No (Start)	Serial No (End)	Remarks
1	42501251000	LAMP ASSY (HALOGEN)	1					
3	42501070010	HARNESS	1					
4	90813108016	BOLT,WING	1		M8X16			
5	90201200600	NUT	2		M6			
6	90302040601	WASHER,SPRING	2		6			
7	82100002006	CLAMP	1		WR10			
8	91810130240	FASTENER	5					
9	90101206016	BOLT	1		M6X16			
10	82100002035	CLAMP	1		WE8			
11	42508702200	HARNESS	1					
12	90201200800	NUT	2		M8			
13	90302040801	WASHER,SPRING	2		8			
22	42508702101	SUPPORT	1					
31	82199100032	LAMP	1					
32	90101212020	BOLT	1		M12X20			
33	90302041201	WASHER,SPRING	1		12			
34	37000179070	PIN	1					
35	80620210160	PIN,SNAP	1					
51	82100002850	LENS	1					
52	82100005003	BULB,LAMP	1		24V 55W ÈÙ'ÞÝ			

AT-110-5 42084540992 UPPER,LOWER,ISUZU TPG-NKR85AN-EE5AHY-JM

Pos No.	Parts No	Parts Name	Qty	Unit	Technical Data	Serial No (Start)	Serial No (End)
3	82105220286	SWITCH,TOGGLE	5				
50	42653673600	SWITCH ASSY (WITH HARNESS,5 SW)	1				

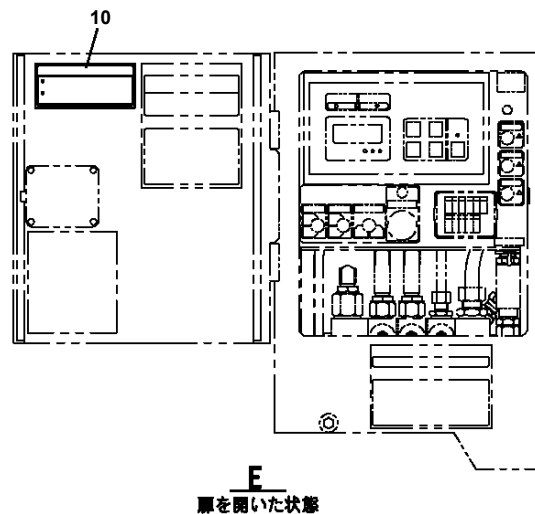
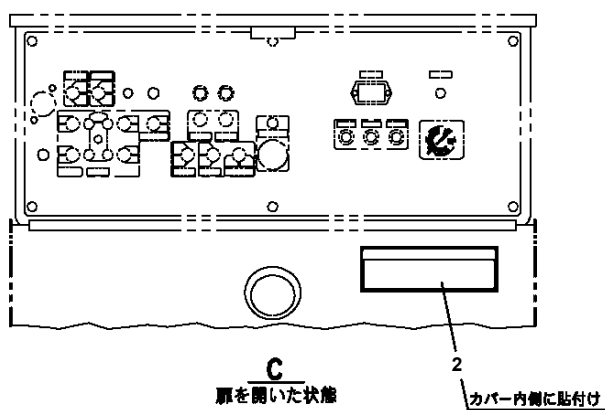
AT-110-5 42084540992 UPPER,LOWER,ISUZU TPG-NKR85AN-EE5AHY-JM

Pos No.	Parts No	Parts Name	Qty	Unit	Technical Data	Serial No (Start)	Serial No (End)	Remarks	Pages
1	42392583050	PLATE,NAME	2				HK2663		
	42592663170	PLATE,NAME	2			HK2664			

AT-110-5 42084540992 UPPER,LOWER,ISUZU TPG-NKR85AN-EE5AHY-JM

Pos No.	Parts No	Parts Name	Qty	Unit	Technical Data	Serial No (Start)	Serial No (End)	Re
1	42390180030	PLATE,NAME (VEHICLE HEIGHT)	1					
2	82444100500	PLATE,NAME	1					
3	37002224450	PLATE,NAME	1					

AT-110-5 42084540992 UPPER,LOWER,ISUZU TPG-NKR85AN-EE5AHY-JM PN5011332-00 NAME PLATE ASSY (L SPECIFICATION)



2

エンジンユニット始動方法

- エンジンユニット用キースイッチを「入」にして、予備表示灯が点灯後にエンジン始動スイッチにて始動してください。
- エンジンが冷えすぎてかかりにくい時は、エンジンユニット用キースイッチを再度入れなおして、予備表示灯が点灯後に始動してください。

3

静音型

4

**エンジンオイル・エレメント
250時間毎に交換**

5

8

ストップ

9

自動格納方法

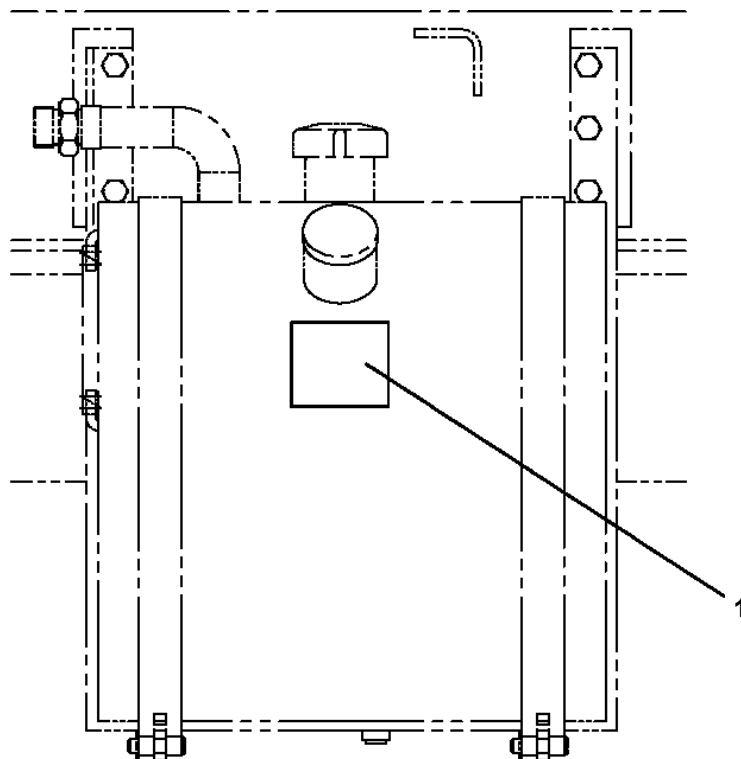
自動格納スイッチをONに保持してください。
格納、（格納し）、格納、状態の順にブームが格納されます。バケットは格納外側と同時に格納されます。
格納角度が格納位置に近い場合、一旦車両の左側に格納した後、格納方向に格納します。

10

ブーム操作方法

- ブーム操作は下等優先スイッチを先に入れてからブーム操作スイッチを操作してください。
- 下等優先スイッチを入れている間はバケット側でのブーム操作はできません。

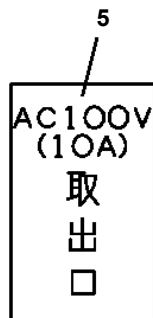
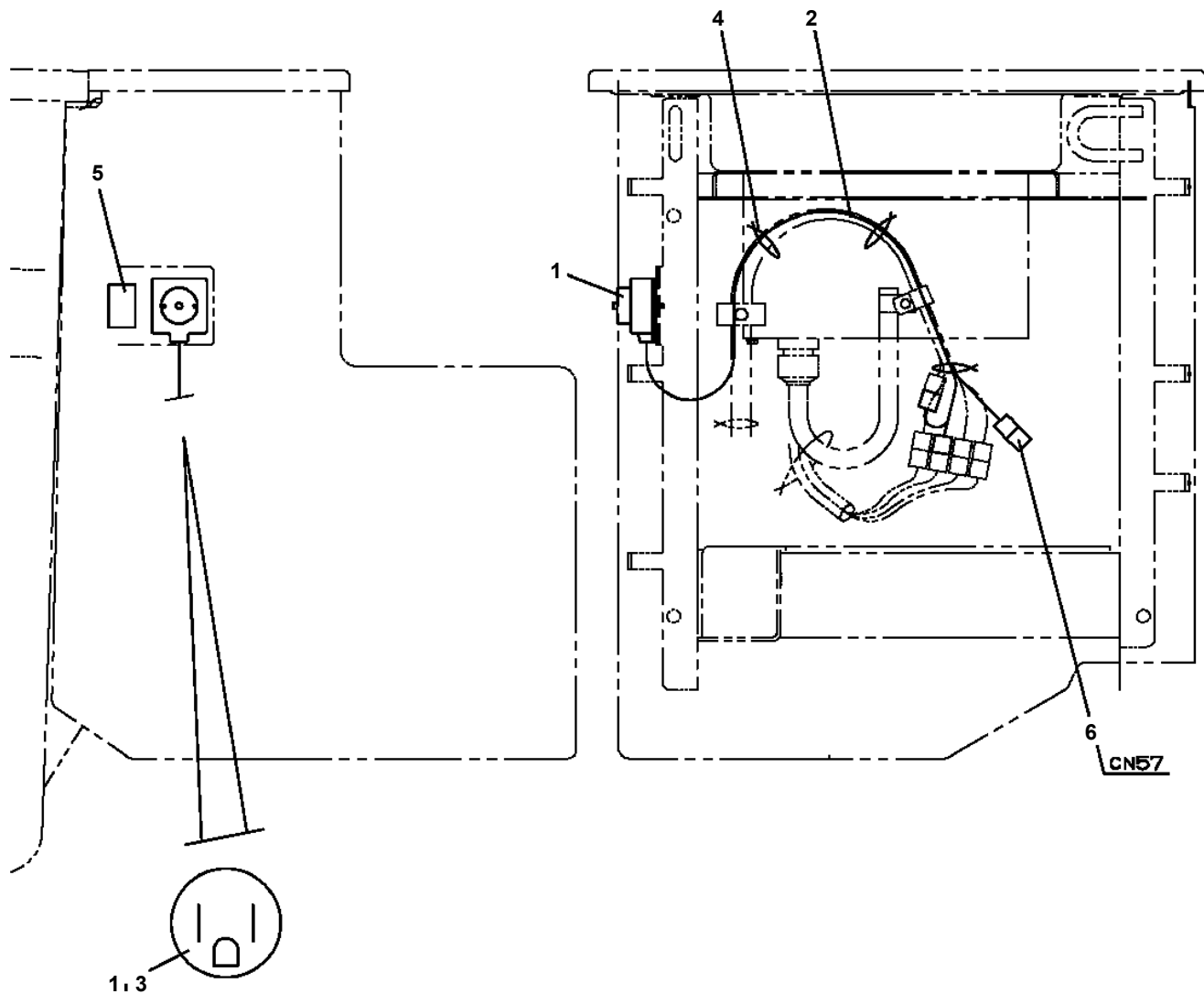
AT-110-5 42084540992 UPPER,LOWER,ISUZU TPG-NKR85AN-EE5AHY-JM
PO1014634-01 PLATE ASSY,NAME (OIL/COLD DISTRICT)



AT-110-5 42084540992 UPPER,LOWER,ISUZU TPG-NKR85AN-EE5AHY-JM

Pos No.	Parts No	Parts Name	Qty	Unit	Technical Data	Serial No (Start)	Serial No (End)
1	42333201102	PANEL	1				HK2954
	42333201103	PANEL	1			HK2955	
2	82467300103	PLUG	2				
3	42809631200	LAMP ASSY (RED,WITH HARNESS)	2				
4	42332521300	SWITCH ASSY (WITH HARNESS)	1				
5	42900001200	COVER	1				
6	42333621100	SWITCH ASSY (WITH HARNESS,3 SW)	1				
7	90183108020	BOLT	8		M8X20		
8	37000568770	PLATE	8		T=1.5		
9	82199514013	CAP	2				
10	82199504017	NUT	3		AT-401N		
11	37000714020	CLAMP ASSY	1		12X2		
12	82100002012	CLAMP	1		WR18		
13	90201200600	NUT	2		M6		
14	90302040601	WASHER,SPRING	2		6		
15	90280200600	NUT,FLANGE	1		M6		
16	42333202002	OPE.ASSY	1				
17	42350250150	PLUG (6 POLES,MALE)	1				
18	42350250090	PLUG (4 POLES,MALE)	1				
19	42350250080	PLUG (3 POLES,MALE)	2				
20	44350230400	PLUG (8 POLES,MALE)	1				
21	44330253010	PLUG (12 POLES,MALE)	1				
22	82467300105	PLUG	2				
23	37002709630	HARNESS	1				
24	90303070601	WASHER,PLAIN	2		6		
25	91810130240	FASTENER	3				
26	42333081100	HARNESS	1				
27	42332521500	HARNESS	1				
28	82100002009	CLAMP	1		WRC12		
29	42653673200	LAMP ASSY (GREEN,WITH HARNESS)	1				
30	82199504018	WASHER	3				
31	82199504064	CAP	1				
32	91810132530	FASTENER	1				
59	42355641010	COVER	1				
71	42355641210	BUTTON	1				

AT-110-5 42084540992 UPPER,LOWER,ISUZU TPG-NKR85AN-EE5AHY-JM
PP5340019-00 POWER SUPPLY ASSY,ELECTRICITY (BUCKET/100V 3POLES)



AT-110-5 42084540992 UPPER,LOWER,ISUZU TPG-NKR85AN-EE5AHY-JM

Pos No.	Parts No	Parts Name	Qty	Unit	Technical Data	Serial No (Start)	Serial No (End)
1	42508701010	PLATE,NAME (AC100V,FUSE,15A)	1				
2	42501481100	HOLDER ASSY(FUSE,WITH HARNESS)	2				
3	42654790300	BOX ASSY	1				
4	42477640090	PLATE,NAME (AC100V)	1				
5	90180208030	BOLT,BUTTON	2		M8X30		
6	90240200800	NUT,CAP	2		M8		
7	90302040801	WASHER,SPRING	4		8		
8	90303070801	WASHER,PLAIN	4		8		
9	42511691200	SUPPORT	1				
10	90101208020	BOLT	2		M8X20		
11	91810132530	FASTENER	1				
32	82100001348	FUSE	2		15A,6.5X30		

AT-110-5 42084540992 UPPER,LOWER,ISUZU TPG-NKR85AN-EE5AHY-JM

Pos No.	Parts No	Parts Name	Qty	Unit	Technical Data	Serial No (Start)	Serial No (End)	Remarks	Page
1	37002512000	HOSE	1		L=1000				
2	37000805050	JOINT	1						
3	91803600160	CLIP	8		D=11-16				
4	37000803300	JOINT	1						
5	80307040020	JOINT,SOCKET	1						
6	37000911190	JOINT	2						
7	82100002040	CLAMP	2		WE15				
8	82100002009	CLAMP	1		WRC12				
9	42712320100	SUPPORT	1						
10	90101208016	BOLT	1		M8X16				
11	90201200800	NUT	4		M8				
12	90302040801	WASHER,SPRING	4		8				
13	91810132530	FASTENER	5						
15	82100001804	TUBE,CORRUGATE	1	M	15				

AT-110-5 42084540992 UPPER,LOWER,ISUZU TPG-NKR85AN-EE5AHY-JM

Pos No.	Parts No	Parts Name	Qty	Unit	Technical Data	Serial No (Start)	Serial No (End)	Remarks	Pages
1	81408000160	PIPE,STEEL	2	M	12X1.4T				
2	81408000160	PIPE,STEEL	2	M	12X1.4T				
3	81408000160	PIPE,STEEL	1	M	12X1.4T				
4	81408000160	PIPE,STEEL	1	M	12X1.4T				
5	37000711080	CLAMP ASSY	2		12-2				
6	37000300740	SLEEVE	4		18-12				
7	37000711430	CLAMP ASSY	1		18X4				
8	81408000160	PIPE,STEEL	1	M	12X1.4T				
9	81408000160	PIPE,STEEL	1	M	12X1.4T				
10	80303130161	FITTING,ELBOW	2		KLO12-030E				
11	80400160127	JOINT	4				HK2108		
	80400160127	JOINT	2			HK2109			
12	91002801100	O-RING	4		1B P11				
13	37012402410	HOSE	2		L=6300				
14	42347333000	SUPPORT	1						
15	90302040801	WASHER,SPRING	8		8				
16	80306010105	NUT	6		KKN12-000E				
17	90101208018	BOLT	8		M8X18				
18	80320010075	FITTING	2		KUD12-020N				
19	42347332000	ROLLER ASSY	1						
20	42347331000	SHEAVE ASSY	1						
21	90203201200	NUT	4		M12				
22	90303071201	WASHER,PLAIN	4		12				
23	37000312510	SPACER	2		L=27.5				
24	90102212120	BOLT	2		M12X120				
25	90201201200	NUT	2		M12				
26	90302041201	WASHER,SPRING	2		12				
27	80320020075	FITTING	2		KUF12-020N				
28	81408000160	PIPE,STEEL	1	M	12X1.4T				
29	81408000160	PIPE,STEEL	1	M	12X1.4T				
30	80305010100	FITTING,TEE	2		KTA12-000N				
31	37000922870	JOINT	2				HK2108		
	37000934260	JOINT	2			HK2109			
32	37002413200	HOSE	1		L=680		HK2108		
	37012409060	HOSE	1		L=670	HK2109			
33	37002410430	HOSE	1		L=630		HK2108		
	37012409070	HOSE	1		L=600	HK2109			
35	37002485420	HOSE	1		L=460				
36	37002485410	HOSE	1		L=460				
37	80309010105	SLEEVE	6		KK012-000E				
38	37000714020	CLAMP ASSY	1		12X2				
39	91810132530	FASTENER	1						
40	91000501100	O-RING	4			HK2109			
41	80461002216	JOINT	2			HK2109			
51	91002801400	O-RING	2		1B P14				
64	91810130230	FASTENER	6						
71	42347332100	SUPPORT	1						
72	37010101740	PIN	1		8				
73	42347332010	ROLLER	2						
74	90303100801	WASHER,PLAIN	4		8				
75	80136320016	PIN,SPLIT	2		2X16				
91	42347331100	SHEAVE	1						
92	42346462200	PIN	1		27.2X2.8				
93	80136363050	PIN,SPLIT	2		6.3X50				

AT-110-5 42084540992 UPPER,LOWER,ISUZU TPG-NKR85AN-EE5AHY-JM

Pos No.	Parts No	Parts Name	Qty	Unit	Technical Data	Serial No (Start)	Serial No (End)	Remarks	P
1	36361365060	RADIATOR ASSY	1						
2	36361361110	HOSE (WATER/UPPER)	1						
3	36361361120	HOSE (WATER/LOWER)	1						
4	36361361130	CLAMP (HOSE)	2		45				
5	36361361140	CLAMP (HOSE)	2		38				
6	36361361150	CUSHION (RADIATOR)	2						
7	36361361160	CUSHION	2						
8	36361361170	SPACER	2						
101	36361365150	SHROUD	1						
102	36361365140	RADIATOR	1						
201	36361365130	CAP (RADIATOR)	1						

AT-110-5 42084540992 UPPER,LOWER,ISUZU TPG-NKR85AN-EE5AHY-JM

Pos No.	Parts No	Parts Name	Qty	Unit	Technical Data	Serial No (Start)	Serial No (End)	Remarks	P
10	42508690000	ROPE ASSY (YELLOW)	1						

AT-110-5 42084540992 UPPER,LOWER,ISUZU TPG-NKR85AN-EE5AHY-JM

Pos No.	Parts No	Parts Name	Qty	Unit	Technical Data	Serial No (Start)	Serial No (End)	Remarks	Pag
1	42972650100	SUPPORT	1						
2	42972650400	SUPPORT	4						
3	42972650300	SEAT	1						
4	80182806012	SCREW,MACHINE	2		M6X12				
5	90302510601	WASHER,SPRING (6)	2						
6	90303520601	WASHER,PLAIN	2		6				

AT-110-5 42084540992 UPPER,LOWER,ISUZU TPG-NKR85AN-EE5AHY-JM

Pos No.	Parts No	Parts Name	Qty	Unit	Technical Data	Serial No (Start)	Serial No (End)	Remarks	Pa
1	42507611200	SUPPORT	1						
2	42503741110	PLATE	1						
3	42503741120	PLATE	1						
4	82100002006	CLAMP	1		WR10				
5	90101206010	BOLT	1		M6X1.0				
6	90302510601	WASHER,SPRING (6)	1						
7	42505633301	SWITCH ASSY	1						000
8	80162302008	SCREW,MACHINE	4		M2X8				
9	90201200200	NUT	4		M2				
10	90302040201	WASHER,SPRING (2)	4						
11	90303070201	WASHER,PLAIN	4		2				
13	90101204014	BOLT	2		M4X14				
14	90302040401	WASHER,SPRING	2		4				
15	90303070401	WASHER,PLAIN	2		4				
16	37002224590	PLATE,NAME	4						
17	42505633130	PLATE	1						
18	80172804014	SCREW,MACHINE	3		M4X14				
19	90302510401	WASHER,SPRING	3		4				
20	90303520401	WASHER,PLAIN	3		4				

AT-110-5 42084540992 UPPER,LOWER,ISUZU TPG-NKR85AN-EE5AHY-JM

Pos No.	Parts No	Parts Name	Qty	Unit	Technical Data	Se
1	82109833232	SWITCH	1			
2	82100002220	CABLE	4	M		
3	82100002173	CONNECTOR	1			
50	42509160000	SWITCH ASSY (ELEC.BOOSTER, REMOTE:3M,NANABOSI,KASUGA)	1			

AT-110-5 42084540992 UPPER,LOWER,ISUZU TPG-NKR85AN-EE5AHY-JM

Pos No.	Parts No	Parts Name	Qty	Unit	Technical Data	Serial No (Start)	Serial No (End)	Rem
1	42470980100	SWITCH,PUSH	1					
2	82100002220	CABLE	2	M				
3	82100002173	CONNECTOR	1					
10	42470980000	SWITCH BOX (FOR BOOSTER)	1					

AT-110-5 42084540992 UPPER,LOWER,ISUZU TPG-NKR85AN-EE5AHY-JM

Pos No.	Parts No	Parts Name	Qty	Unit	Technical Data	Serial No (Start)	Serial No (End)	R
1	91002801400	O-RING	2		1B P14			
100	36606450000	VALVE ASSY,COUNTERBALANCE	1					

AT-110-5 42084540992 UPPER,LOWER,ISUZU TPG-NKR85AN-EE5AHY-JM

Pos No.	Parts No	Parts Name	Qty	Unit	Technical Data	Serial No (Start)	Serial No (End)
1	(*****)	ACCESSORIES	1				
2	(*****)	ACCESSORIES ASSY (WITHOUT BLOCK,RUBBER)	1				

AT-110-5 42084540992 UPPER,LOWER,ISUZU TPG-NKR85AN-EE5AHY-JM

Pos No.	Parts No	Parts Name	Qty	Unit	Technical Data	Serial No (Start)	Serial No (End)
1	42460012550	WEDGE (STOPPER FOR TIRE/JUSTIN)	1				

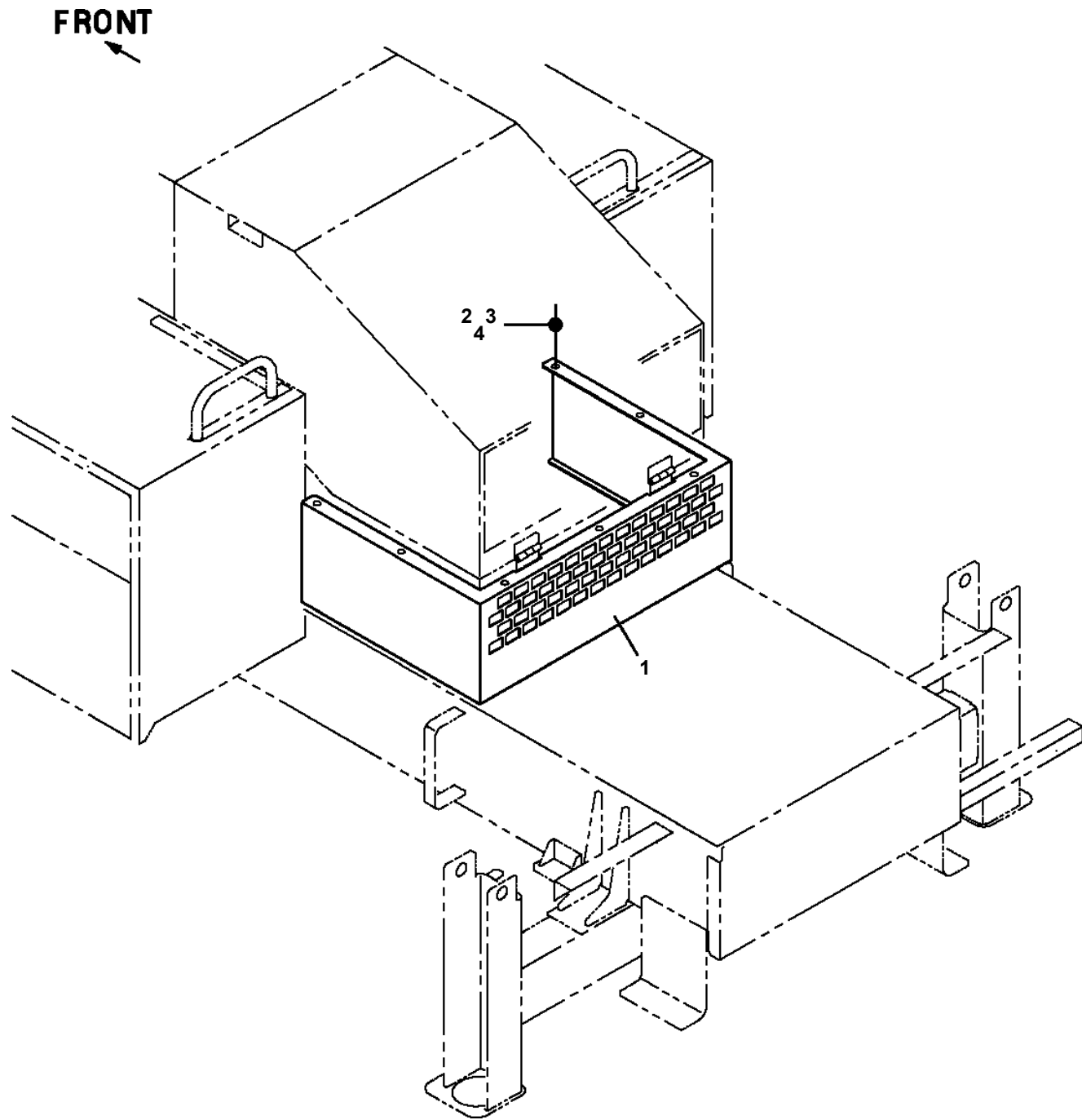
AT-110-5 42084540992 UPPER,LOWER,ISUZU TPG-NKR85AN-EE5AHY-JM

Pos No.	Parts No	Parts Name	Qty	Unit	Technical Data	Serial No (Start)	Serial No (End)	Remarks
1	42422267510	BODY (RUBBER)	1					
3	42422267520	BOLT,HEXAGON SOCKET	6		M12X35			
5	80720105010	PIN,SPRING	6		5X10			
100	42422261810	COUPLING	1					

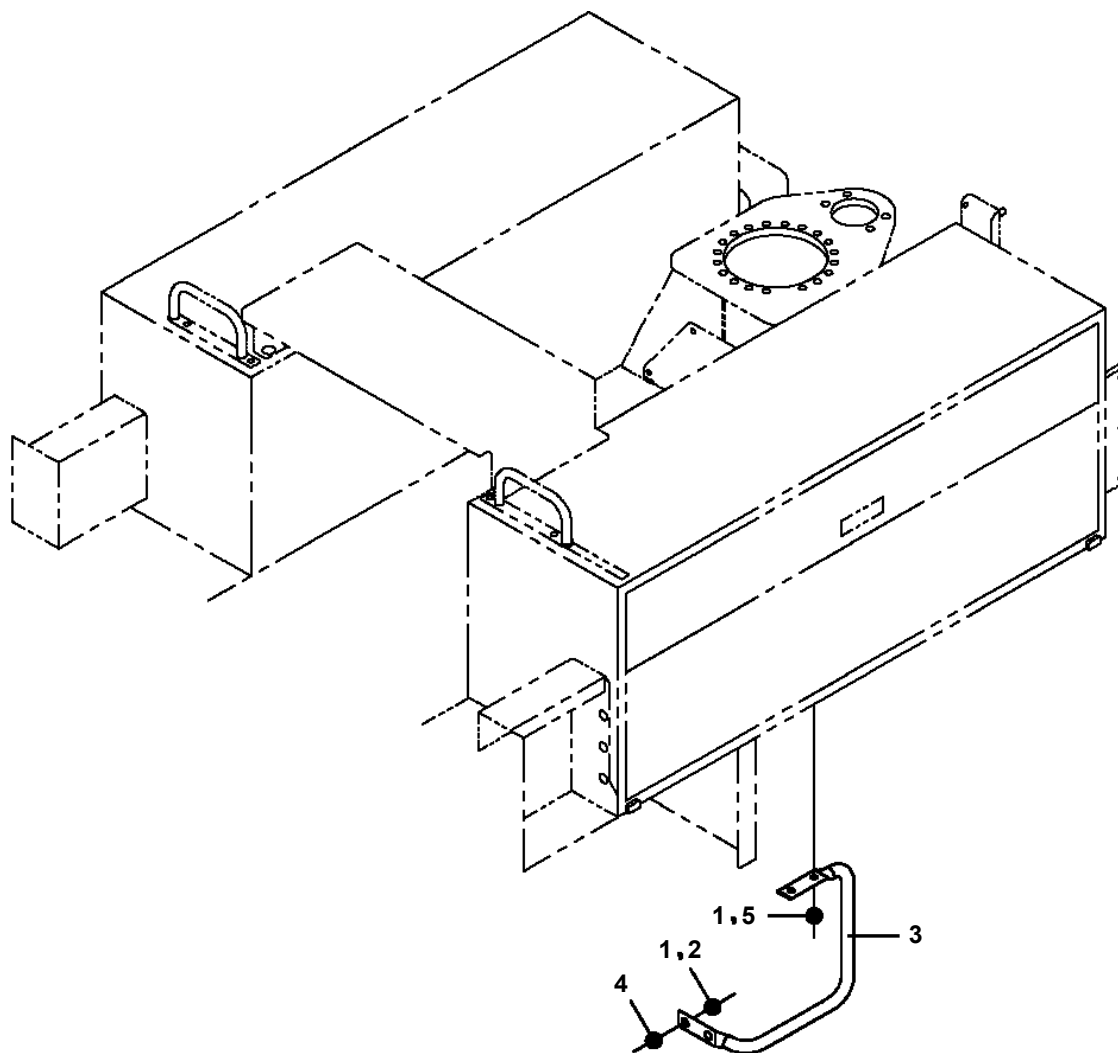
AT-110-5 42084540992 UPPER,LOWER,ISUZU TPG-NKR85AN-EE5AHY-JM

Pos No.	Parts No	Parts Name	Qty	Unit	Technical Data	Serial No (Start)	Serial No (End)	Remarks	Pages
1	42422634100	COVER	1						
2	90101208020	BOLT	4		M8X20				
3	90302040801	WASHER,SPRING	4		8				
4	90303070801	WASHER,PLAIN	4		8				

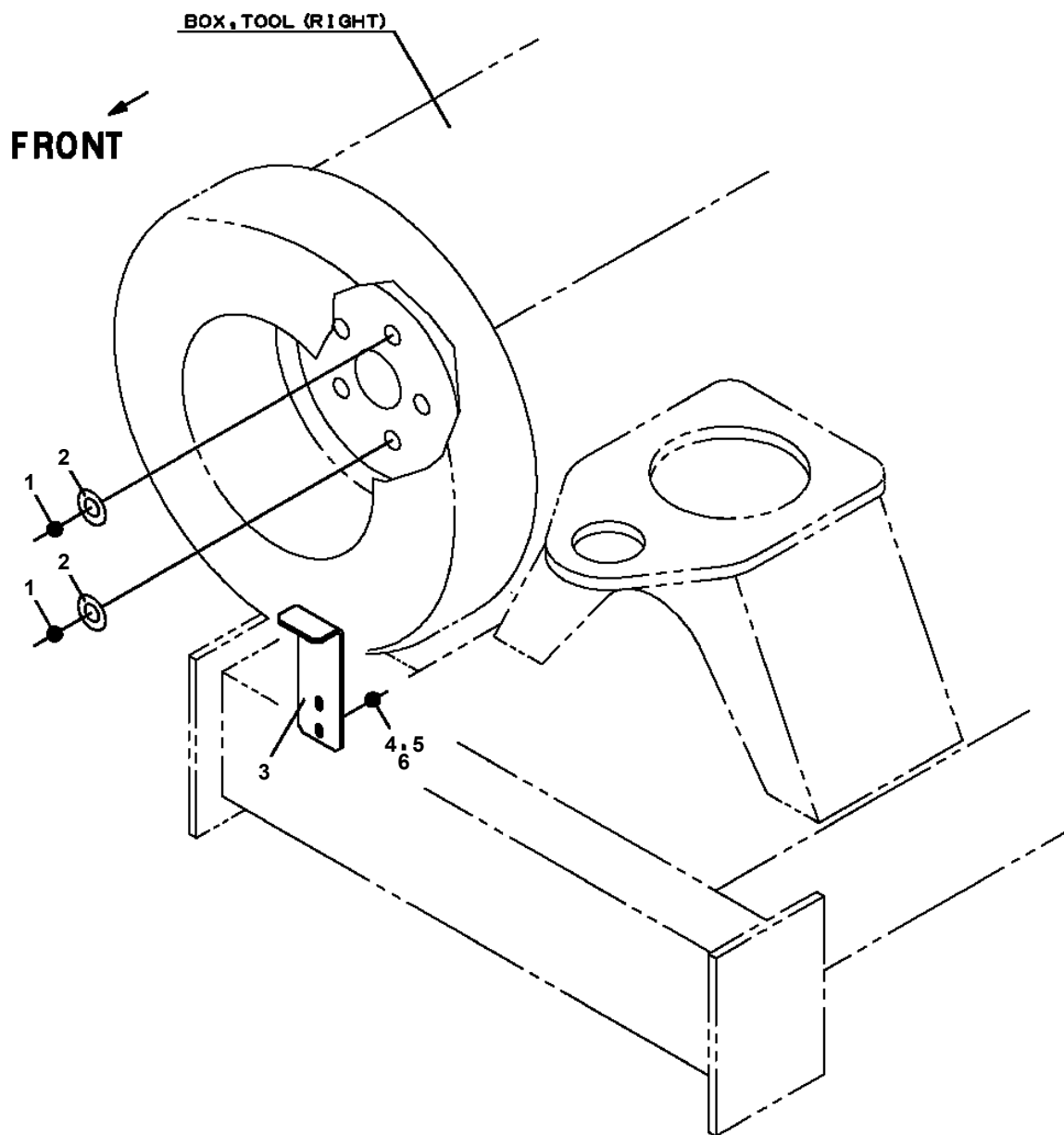
AT-110-5 42084540992 UPPER,LOWER,ISUZU TPG-NKR85AN-EE5AHY-JM
PX5430023-00 MOUNT ASSY, GUARD (L UNIT COVER)



**AT-110-5 42084540992 UPPER,LOWER,ISUZU TPG-NKR85AN-EE5AHY-JM
PX5670023-00 MOUNT ASSY,STEP (FOR BOX TOOL OF RIGHT SIDE)**



AT-110-5 42084540992 UPPER,LOWER,ISUZU TPG-NKR85AN-EE5AHY-JM
PX5770007-00 MOUNT ASSY,TIRE



AT-110-5 42084540992 UPPER,LOWER,ISUZU TPG-NKR85AN-EE5AHY-JM

Pos No.	Parts No	Parts Name	Qty	Unit	Technical Data	S
2	(*****)	CONTROL ASSY,OUTRIGGER (JACK HORIZONTAL)	1			
3	(*****)	SUPPORT ASSY (HOOK FOR CARRIER ROPE)	1			
4	(*****)	FLOAT ASSY (JACK PAD:GUIDE TYPE F/J)	1			
5	(*****)	CONTROL ASSY,OUTRIGGE(JACK HORIZONTAL+GRADIENT WARNING)	1			
	(*****)	CONTROL ASSY,OUTRIGGER (J/HORIZONTAL+GRADIENT WARNING)	1			
6	(*****)	MOUNT ASSY,STEP (FRONT OF RIGHT:GUIDE TYPE F/J)	1			
7	(*****)	BOOSTER ASSY,AIR (40T,TEMPORARY HOLD,INCHING)	1			
8	(*****)	BUZZER (JACK ALARM)	1			
9	(*****)	ELEC.ASSY (EXHAUST GAS ALARM:TTE)	1			
12	(*****)	COVER (BUCKET,FOR SI)	1			
15	(*****)	ELEC.ASSY (GRADIENT WARNING)	1			
	(*****)	ELEC.ASSY (GRADIENT WARNING)	1			
16	(*****)	LAMP ASSY (LOWER CONTROLS)	1			
18	(*****)	LAMP ASSY,WORKING (UPPER/HALOGEN)	1			
20	(*****)	SWITCH ASSY (SAFETY INTERLOCK)	1			
21	(*****)	CONTROL ASSY,OUTRIGGER (VEHICLE AUTO LEVELING/ISUZU)	1			
22	(*****)	BOOSTER ASSY,AIR (40T,TEMPORARY HOLD,PULSE)	1			
23	(*****)	CONTROL ASSY,OUTRIGGER (JACK HORIZONTAL)	1			
31	(*****)	POWER SUPPLY ASSY,ELECTRICITY (LOWER,3POLES OUTLET)	2			
	(*****)	POWER SUPPLY ASSY,ELECTRICITY (LOWER,3POLES OUTLET)	2			
	(*****)	POWER SUPPLY ASSY,ELECTRICITY (LOWER,3POLES OUTLET)	2			
32	(*****)	ELEC.ASSY (BUCKET/100V 3POLES OUTLET+WORK LAMP,55W)	1			
42	(*****)	POWER SUPPLY ASSY,ELECTRICITY (BUCKET/100V 3POLES)	1			
	(*****)	POWER SUPPLY (BUCKET)	1			

AT-110-5 42084540992 UPPER,LOWER,ISUZU TPG-NKR85AN-EE5AHY-JM

Pos No.	Parts No	Parts Name	Qty	Unit	Technical Data	Serial No (Start)	Serial No (End)
1	42470367510	HOOK	1				
2	42470367520	CYLINDER	1				
3	42470367530	HOLDER (DIES)	1				
4	42470367540	STEM	1				
5	42470367550	SPRING (RETURN)	1				
6	42470367560	SEAT,SPRING	1				
7	42470367570	RING,STOP	1				
8	80720103006	PIN,SPRING	1		3X6		
9	91001104000	O-RING	1		1A P40		
10	42470367580	RING (B)	1				
12	42470367590	NOTCH	1				
13	42470367600	PIECE (B)	1				
14	42470367610	PIN (SCREW)	1				
15	42470367620	SPRING ASSY	1				
16	42470367630	PIECE (AL)	1				
17	42470367640	SPRING	1				
18	42470367650	KNOB	1				
19	80720102012	PIN,SPRING	1		2X12		
20	80720103008	PIN,SPRING	1		3X8		
21	42470367660	GUIDE	1				
22	90131505008	BOLT,HEXAGON SOCKET	1		M5X8		
23	90304110501	WASHER (LOCK)	1		5		
24	42470367670	SCRAPER	1				
25	42470367680	SPACER	1				
26	42470367690	BOLT,HEXAGON SOCKET	1				
27	42470367700	NIPPLE	1				
28	42470367710	JOINT,SELF SEALING (WITH CAP)	1				
29	42470367720	GRIP	1				
30	42470367730	PLATE,NAME	1				
31	42470367740	COVER (SAFETY)	1				
50	42470361000	CLAMP HEAD ASSY (SANWA,12TON)	1				

AT-110-5 42084540992 UPPER,LOWER,ISUZU TPG-NKR85AN-EE5AHY-JM

Pos No.	Parts No	Parts Name	Qty	Unit	Technical Data	Serial No (Start)	Serial
1	42470030000	CUTTER HEAD (IZUMI 6.4TON 2.5M ELECTRIC)	1				

AT-110-5 42084540992 UPPER,LOWER,ISUZU TPG-NKR85AN-EE5AHY-JM

Pos No.	Parts No	Parts Name	Qty	Unit	Technical Data	Serial No (Start)	Serial No (End)	Remarks	Pages
1	42460021000	BELT,SAFETY	1						

AT-110-5 42084540992 UPPER,LOWER,ISUZU TPG-NKR85AN-EE5AHY-JM

Pos No.	Parts No	Parts Name	Qty	Unit	Technical Data	Serial No (Start)	Serial No (E
5	80456210600	JOINT,SELF SEALING	1				
6	80456240600	JOINT,SELF SEALING (WITH DUST CAP)	1				
11	42471437520	CAP	1				
30	42471080000	HOSE,BOOSTER (MAIL-FEMALE,3M)	1				

AT-110-5 42084540992 UPPER,LOWER,ISUZU TPG-NKR85AN-EE5AHY-JM

Pos No.	Parts No	Parts Name	Qty	Unit	Technical Data	Serial No (Start)	Serial No (E
5	80456210600	JOINT,SELF SEALING	1				
6	80456240600	JOINT,SELF SEALING (WITH DUST CAP)	1				
11	42471437520	CAP	1				
30	42471085000	HOSE,BOOSTER (MALE-FEMALE,5M)	1				

AT-110-5 42084540992 UPPER,LOWER,ISUZU TPG-NKR85AN-EE5AHY-JM

Pos No.	Parts No	Parts Name	Qty	Unit	Technical Data	Serial No (Start)	Serial No (End)
1	42471271000	DRILL ASSY	1				
2	80460003080	JOINT	2		S,G3/8-3/4-16UNF		
3	37002425110	HOSE	2		L=2500		
4	91810132530	FASTENER	4				
5	80456020610	JOINT,SELF SEALING	1				
6	42340013200	JOINT,SELF SEALING (WITH CAP)	1				
11	42340017550	CAP (DUST)	1				
16	42340017510	CAP (DUST)	1				
20	42471270000	DRIL,HYDRAULIC	1				

AT-110-5 42084540992 UPPER,LOWER,ISUZU TPG-NKR85AN-EE5AHY-JM

Pos No.	Parts No	Parts Name	Qty	Unit	Technical Data	Serial No (Start)	Serial No (End)	Remarks
1	42474540000	HANGER (FOR BUCKET,FRP)	1					

AT-110-5 42084540992 UPPER,LOWER,ISUZU TPG-NKR85AN-EE5AHY-JM

Pos No.	Parts No	Parts Name	Qty	Unit	Technical Data	Serial No (Start)	Serial No (End)	Remarks
1	42472530000	BOX,TOOL (FOR BUCKET)	1					

AT-110-5 42084540992 UPPER,LOWER,ISUZU TPG-NKR85AN-EE5AHY-JM
 PY4000033-02 OPTION UNIT,1 (LOWER)

符号	日本語名称	英語名称	備考
1	ビ ^レ ユ-システム (カラーモニタ)	VIEW SYSTEM	日野・トヨタ乗装車用
2	ビ ^レ ユ-システム (カラーモニタ)	VIEW SYSTEM	いすゞ・日産・マツダ乗装車用
5	サホ ^ク -トASSY	SUPPORT ASSY	2段工具箱用固定式梯子受け
7	サホ ^ク -トASSY	SUPPORT ASSY	1段工具箱及び2段工具箱下段用棚 (片側1個)
8	マウントASSY, ステツブ ^ク	MOUNT ASSY, STEP	右側工具箱上部物入れアクセス用足掛け (いすゞ乗装車不可)
9	マウントASSY, ステツブ ^ク	MOUNT ASSY, STEP	左側工具箱上部物入れアクセス用足掛け
10	マウントASSY, ツールホ ^ク ツクス	MOUNT ASSY, TOOL BOX	1段工具箱及び2段工具箱用 工具箱引出し (左側工具箱用)
11	サホ ^ク -トASSY	SUPPORT ASSY	2段工具箱用回転式梯子受け
14	ブ ^ク サ ^ク -ASSY	BUZZER ASSY	日野・トヨタ車用 ジャッキ操作警報 (ライト点灯時消音型)
15	ブ ^ク サ ^ク -ASSY	BUZZER ASSY	いすゞ車用 ジャッキ操作警報 (ライト点灯時消音型)
16	カ ^ク -ト ASSY	GUARD ASSY	左工具箱上部物入れ (底板あり・大型)
17	カ ^ク -ト ASSY	GUARD ASSY	右工具箱上部物入れ (底板あり)
19	ア-スASSY	EARTH ASSY	φ8X20m透明絶縁体
20	サホ ^ク -トASSY	SUPPORT ASSY	梯子腐付き防止プレート (工具箱上部梯子受け)
21	カハ ^ク -ASSY	COVER ASSY	きんでん用 エンジン上部大型カバー いすゞ乗装車用

適用製造番号によっては取り付けがないものもあります。

MACHINES OF SOME SERIAL NO. ARE NOT EQUIPPED WITH THESE PARTS.

CLICK HERE TO **DOWNLOAD** THE COMPLETE MANUAL

- Thank you very much for reading the preview of the manual.
- You can download the complete manual from: www.heydownloads.com by clicking the link below



- Please note: If there is no response to CLICKING the link, please download this PDF first and then click on it.

CLICK HERE TO **DOWNLOAD** THE COMPLETE MANUAL