

# **AT-110-1 42084100093 UPPER**

**PD2000097-00 SWING UNIT**

**PG2000109-00 BOOM UNIT**

**PH1000550-00 SAFETY DEVICES (MOTION CONTROLLER)**

**PJ3000354-01 BUCKET SYSTEM**

**PK2000396-01 FRAME UNIT**

**PO1000123-00 INDICATION PLATES**

**PW1000041-00 ACCESSORIES & TOOLS**

**PY1001133-01 OPTIONS,1**

**PY2000023-04 OPTIONS,2**

**ASSEMBLY**

CLICK HERE TO **DOWNLOAD** THE COMPLETE MANUAL

- Thank you very much for reading the preview of the manual.
- You can download the complete manual from: [www.heydownloads.com](http://www.heydownloads.com) by clicking the link below



- Please note: If there is no response to CLICKING the link, please download this PDF first and then click on it.

CLICK HERE TO **DOWNLOAD** THE COMPLETE MANUAL

# AT-110-1 42084100093 UPPER

Pos No.	Parts No	Parts Name	Qty	Unit	Technical Data	Serial No (Start)	Serial No (End)	Re
1	(*****)	FRAME	1					
2	(*****)	OUTRIGGER	1					
3	(*****)	OPE.ASSY,CONT.VALVE	1					
4	(*****)	PIPING,OUTRIGGER	1					
5	(*****)	ELEC.ASSY (FRAME)	1					
6	(*****)	BOOM REST INSTALLATION	1					
7	(*****)	TANK SUPPORT	1					
11	(*****)	POWER SUPPLY (ENGINE,MOUNT)	1					
12	(*****)	POWER SUPPLY (WIRING,ENGINE)	1					
13	(*****)	POWER SUPPLY (WIRING,ENGINE)	1					
14	(*****)	POWER SUPPLY (WIRING,ENGINE)	1					

## **AT-110-1 42084100093 UPPER**

PB1100158-02 PUMP,HYDRAULIC  
PB1100317-00 PUMP,HYDRAULIC  
PB1110038-00 MOUNT,PUMP  
PB1130208-02 TANK,OIL  
PB1300421-00 JOINT,ROTARY (MOUNT)  
PB1300422-00 JOINT,ROTARY  
PB1310045-00 BRUSH,ROTARY JOINT  
PB1320319-00 VALVE,MANUAL CONTROL  
PB1340053-00 VALVE,SOLENOID CONTROL  
PB1370109-00 POWER SUPPLY (ENGINE,MOUNT)  
PB1370110-02 POWER SUPPLY (WIRING,ENGINE)  
PB1370111-02 POWER SUPPLY (WIRING,ENGINE)  
PB1370112-02 POWER SUPPLY (WIRING,ENGINE)  
PB1370113-02 POWER SUPPLY (EXHAUST)  
PB1370114-04 POWER SUPPLY (WIRING)  
PB1370115-02 POWER SUPPLY (PIPING)  
PB1370116-00 POWER SUPPLY (COVER)  
PB1380093-01 POWER SUPPLY (ENGINE)  
PB1380201-01 POWER SUPPLY  
PB1380217-00 POWER SUPPLY (HYDRAULIC OUTLET)  
PB1380218-00 POWER SUPPLY (UPPER 100V /WITH EARTHING)  
PB1380219-00 POWER SUPPLY (100V/WITHOUT EARTHING)  
PB1380220-00 POWER SUPPLY (UPPER 100V/1.5KW)  
PB1380269-00 POWER SUPPLY (ENGINE)  
PB1380270-01 POWER SUPPLY (PIPING)  
PB1380271-01 POWER SUPPLY (EXHAUST)  
PB1380280-00 POWER SUPPLY (ENGINE)  
PB1380281-03 POWER SUPPLY (PIPING)  
PB1400351-04 PIPING,UPPER  
PC1010784-04 OUTRIGGER  
PC1030305-01 CYLINDER,JACK  
PC1030306-01 CYLINDER,JACK (FRONT)  
PC1200414-03 PIPING,OUTRIGGER  
PC5020027-00 CABLE ASSY  
PC5040001-00 CABLE ASSY,CONTROL  
PD1010133-00 REDUCER,SWING SPEED  
PD1010153-00 REDUCER,SWING SPEED (MOUNT)  
PD1010172-00 REDUCER,SWING SPEED  
PE1010402-01 CYLINDER,ELEVATING  
PE1050120-02 CYLINDER,LEVELING (UPPER)  
PE1050121-00 CYLINDER,LEVELING (LOWER)  
PE5010004-01 EARTH ASSY  
PG1010824-02 BOOM  
PG1050537-00 CYLINDER,TELESCOPING  
PG1120174-00 DETECTOR,BOOM LENGTH  
PG1220118-02 PIPING,BOOM  
PH1480044-00 MOTION CONTROLLER (AMC)  
PH1540028-03 FOOT SWITCH (OPTION)  
PH5030049-00 HARNESS  
PH5030976-00 HARNESS  
PH5031640-00 HARNESS  
PH5031646-00 HARNESS  
PH5031648-00 HARNESS  
PH5032077-00 HARNESS  
PH5032080-00 HARNESS  
PH5032083-00 HARNESS  
PH5032085-00 HARNESS  
PH5032139-00 HARNESS  
PH5032149-00 HARNESS  
PH5032157-00 HARNESS  
PH5032158-00 HARNESS  
PH5032164-00 HARNESS  
PH5032165-00 HARNESS  
PH5032166-00 HARNESS

# AT-110-1 42084100093 UPPER

Pos No.	Parts No	Parts Name	Qty	Unit	Technical Data	Serial No (Start)	Serial No (End)	Remarks
179	90131506040	BOLT,HEXAGON SOCKET	3		M6X40			
180	91002800800	O-RING	1		1B P8			
191	36653495010	BODY ASSY	1					
192	36653495020	ARM ASSY	1					
200	36653240000	PUMP,HYDRAULIC	1					

# AT-110-1 42084100093 UPPER

Pos No.	Parts No	Parts Name	Qty	Unit	Technical Data	Serial No (Start)	Serial No (End)	Rema
1	36102500100	TANK	1					
2	36102120010	CAP	1					
3	37002512230	HOSE	1		L=140		219089	
	37002516440	HOSE	1		L=140	219090		
4	91803880040	CLIP	2		D=10-12.2			
5	36102790010	PLUG	1					
6	53156005000	BREATHER ASSY (OB-10T)	1					
7	91001104800	O-RING	1		1A P48			
8	90303392001	WASHER	1		M20			
21	53156005010	ELEMENT (OB-10T & OB-10B)	1				218279	
	53156005011	ELEMENT	1			218280		
53	53156005030	PLATE (WITH PACKING)	1					
54	53156005040	PACKING	1					
100	36102500000	TANK,OIL	1					

**AT-110-1 42084100093 UPPER**

Pos No.	Parts No	Parts Name	Qty	Unit	Technical Data	Serial No (Start)	Serial No (End)	Remarks
2	36648435010	VALVE,SOLENOID	1					
3	36648435020	VALVE,RELIEF	1					
4	36648435030	VALVE,SOLENOID	4					
5	36648435040	BOLT,HEXAGON SOCKET	4		M5X90			
6	36648435050	BOLT,HEXAGON SOCKET	16		M5X50			
100	36648430000	VALVE,SOLENOID CONTROL	1					

# AT-110-1 4208410093 UPPER

Pos No.	Parts No	Parts Name	Qty	Unit	Technical Data	Serial No (Start)	Serial No (End)	Remarks	Pages
1	42420382100	PIPE,FLEXIBLE	1						
2	90171308030	BOLT	16		M8X30				
3	90302040801	WASHER,SPRING	26		8				
4	90209700800	NUT	12		M8				
5	42420250100	PIPE,FLEXIBLE	1						
6	42420382200	MUFFLER	1						
7	90171308016	BOLT	5		M8X16				
8	42421052100	MUFFLER	1						
9	90171108050	BOLT	1		M8X50				
10	90171108016	BOLT	5		M8X16				
11	90171310020	BOLT	3		M10X20				
12	90302041001	WASHER,SPRING	3		10				
13	42420382010	SUPPORT	1						
14	42421052200	PIPE	1						
15	42420382500	PIPE	1						
16	42420382020	CLAMP	1						
17	90303070801	WASHER,PLAIN	2		8				
41	42420257510	GASKET	2						
51	36360821190	GASKET	5						

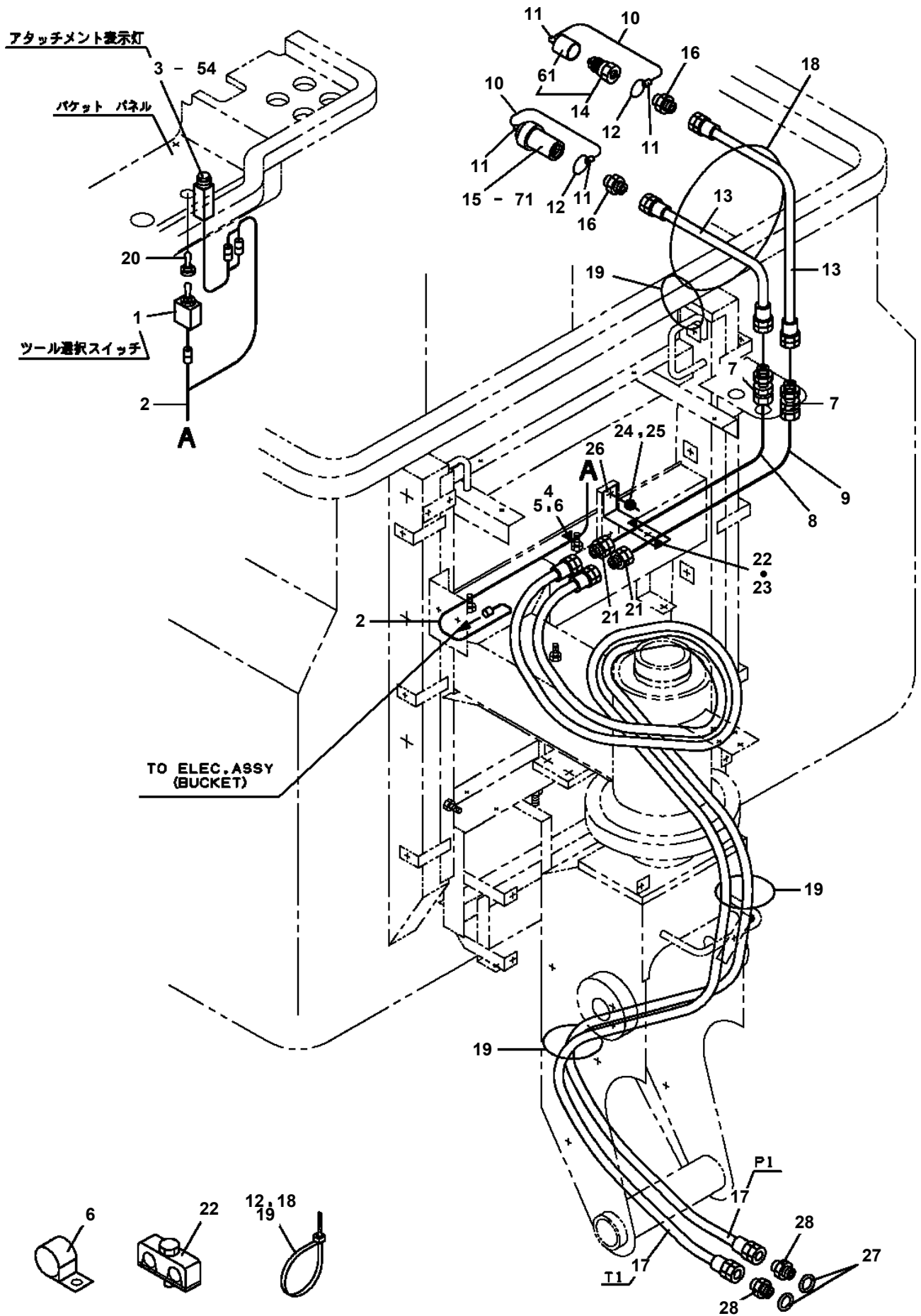
**AT-110-1 42084100093 UPPER  
PB1380201-01 POWER SUPPLY**

アタッチメント表示灯

バケット パネル

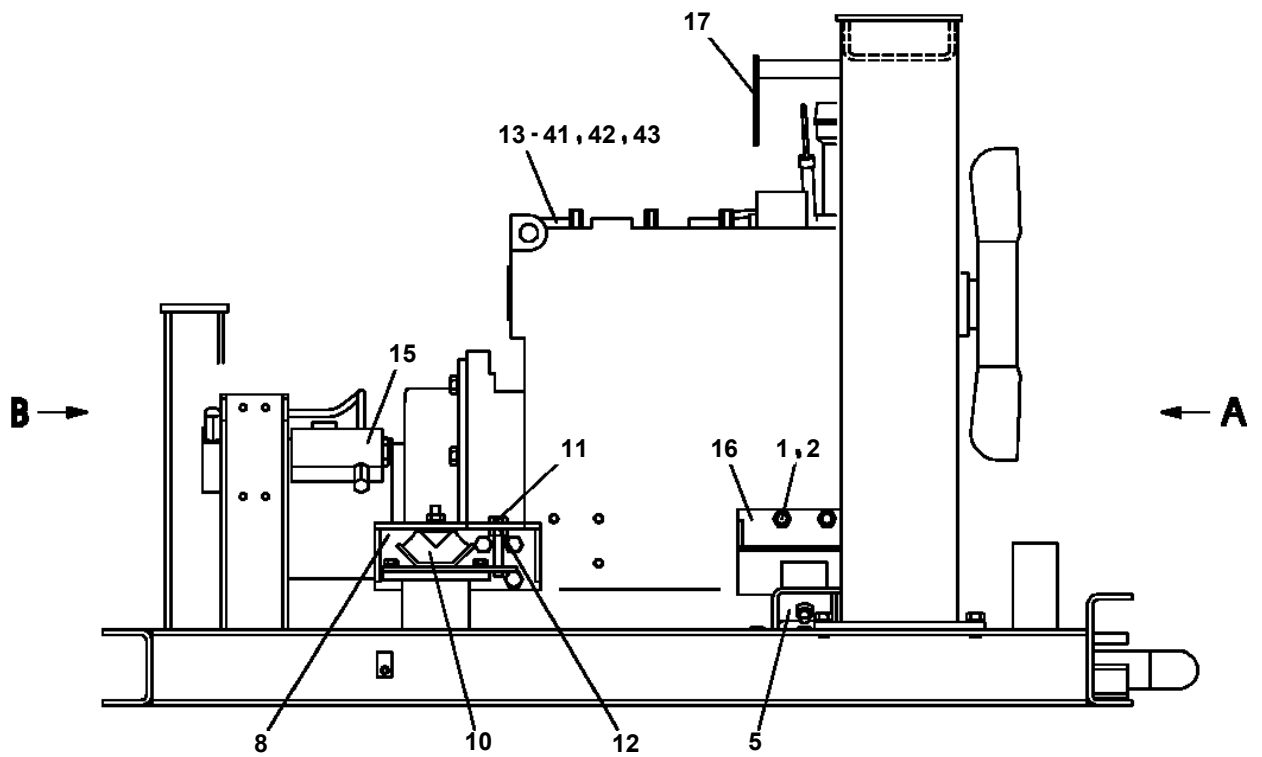
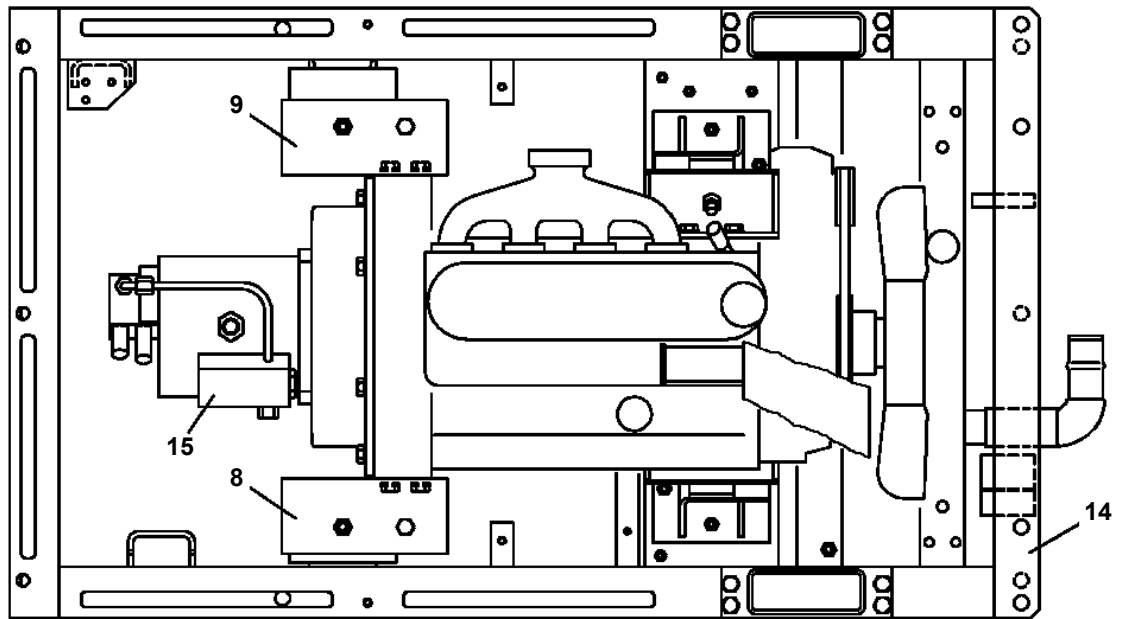
ツール選択スイッチ

TO ELEC. ASSY  
(BUCKET)

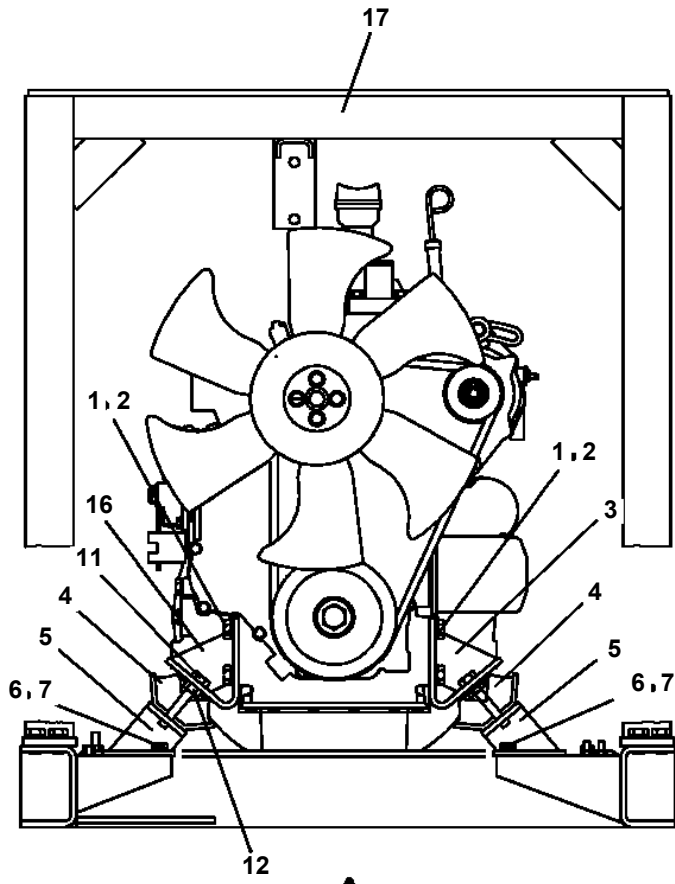


AT-110-1 42084100093 UPPER  
PB1380269-00 POWER SUPPLY (ENGINE)

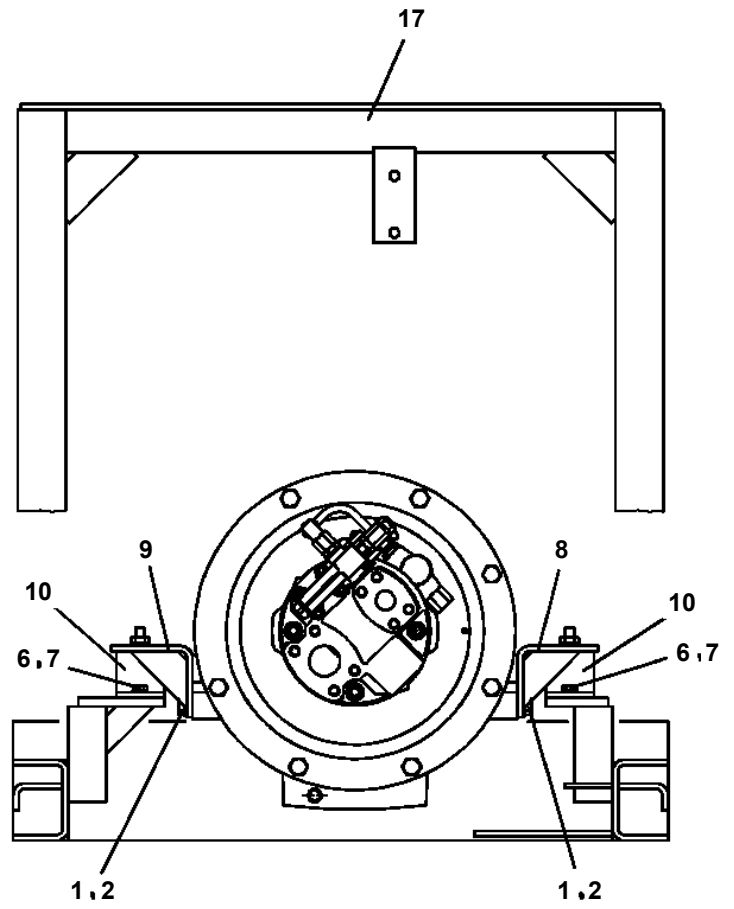
FRONT ←



**AT-110-1 42084100093 UPPER  
PB1380280-00 POWER SUPPLY (ENGINE)**



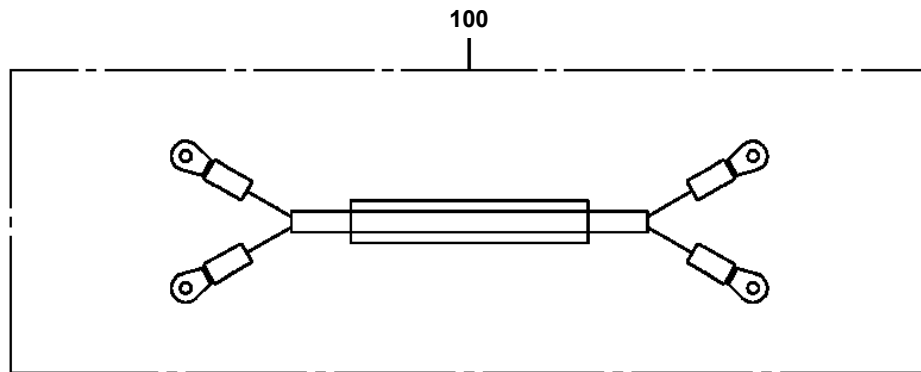
**A**



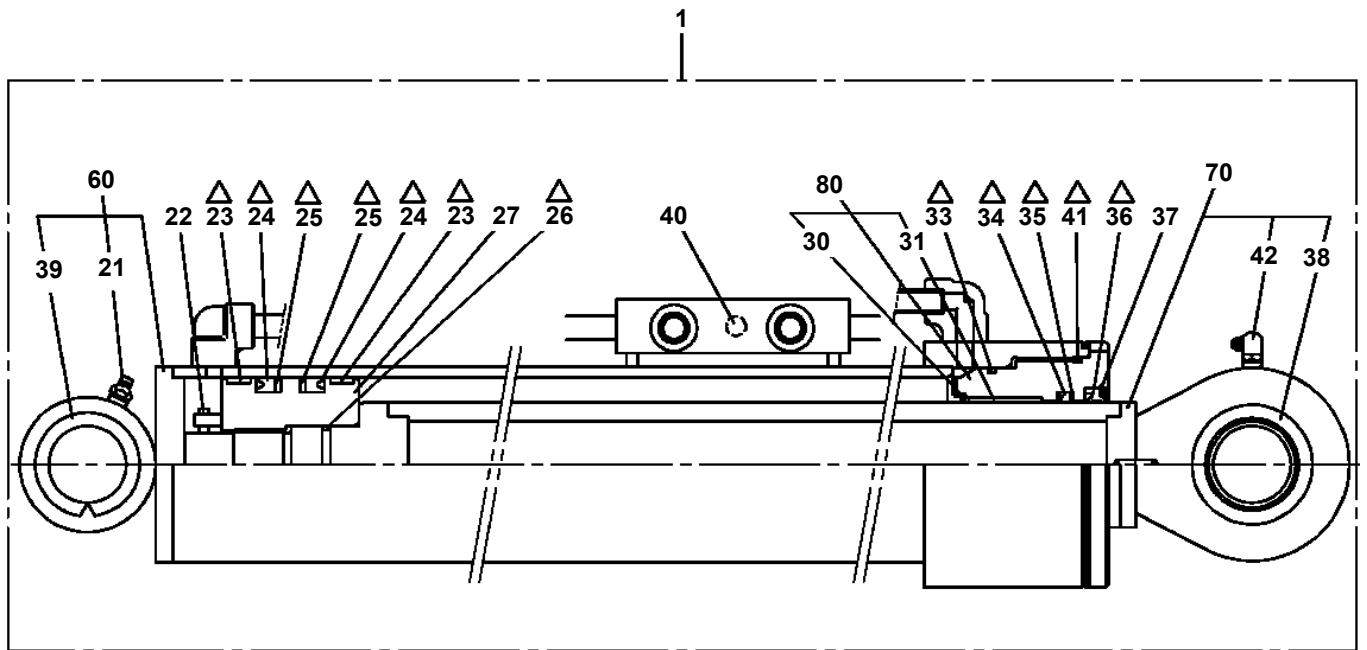
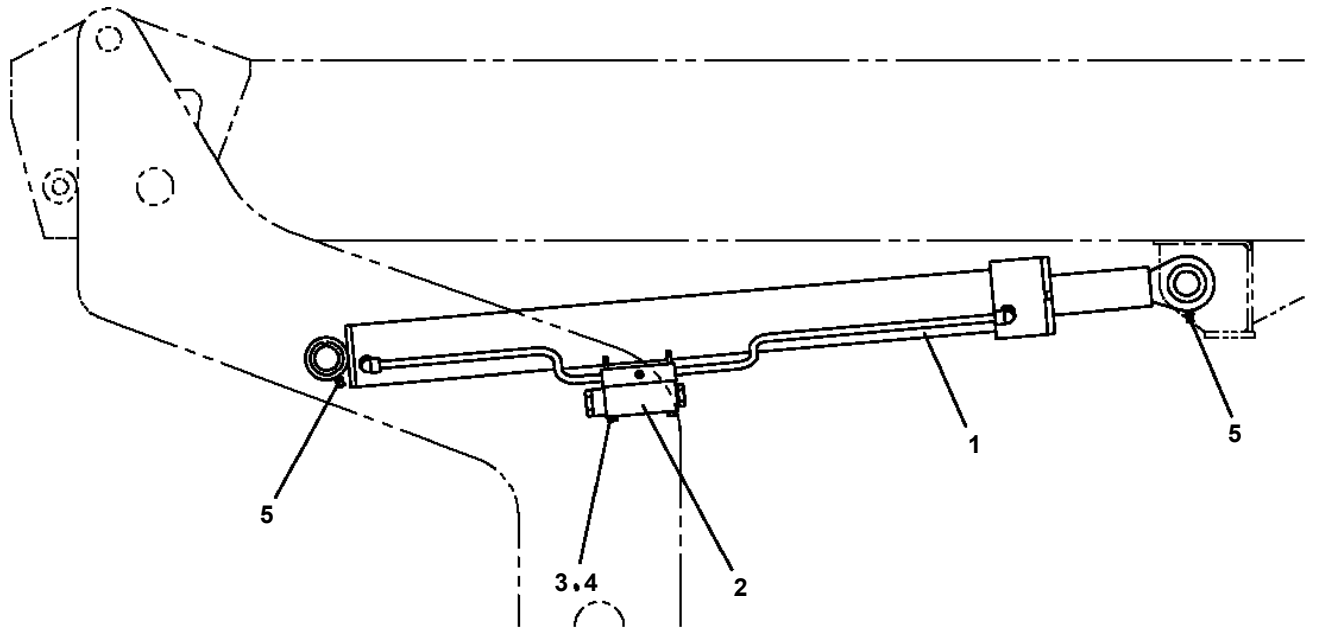
**B**



**AT-110-1 42084100093 UPPER  
PC5020027-00 CABLE ASSY**

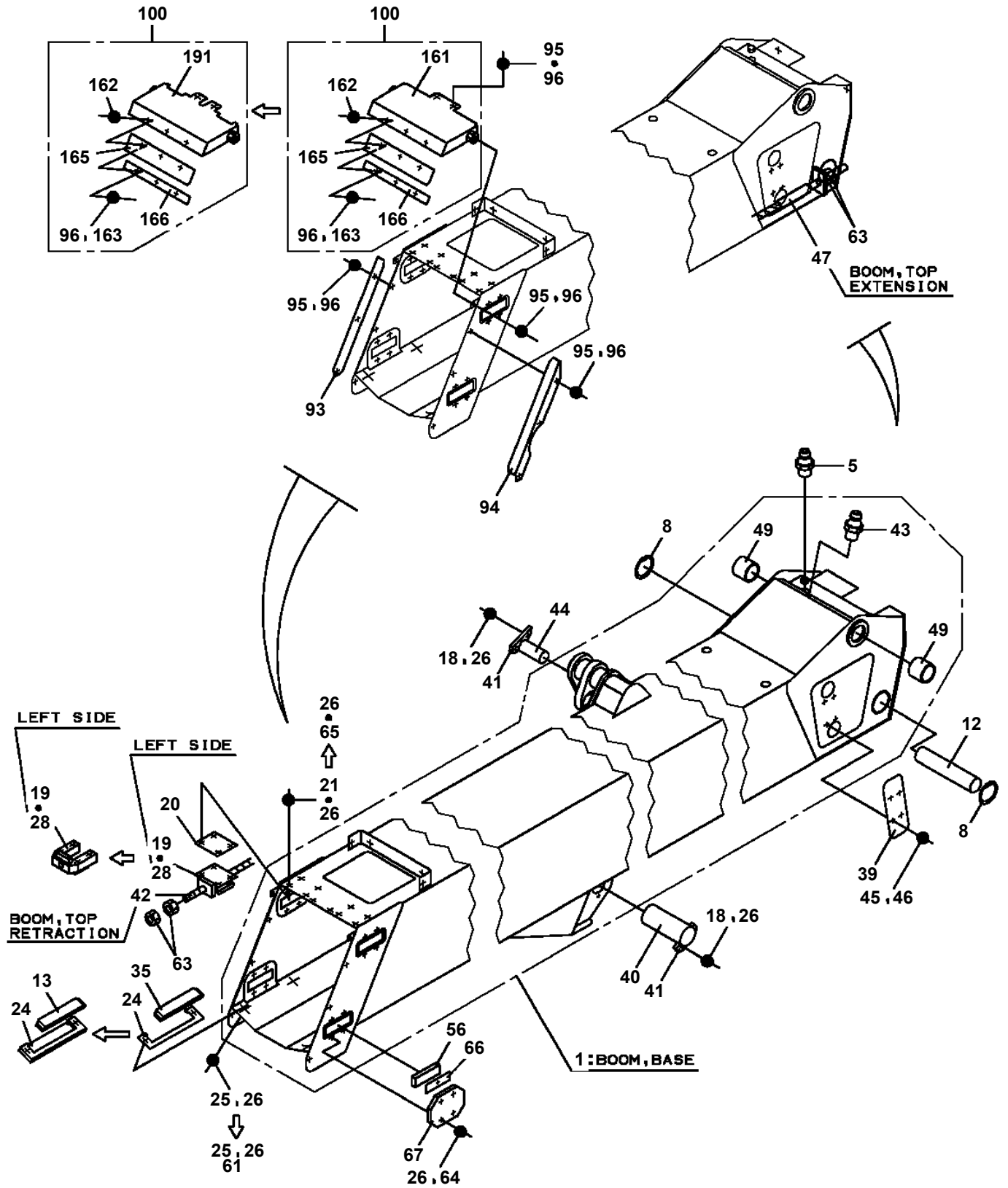


**AT-110-1 42084100093 UPPER  
PE1010402-01 CYLINDER,ELEVATING**



△:PACKING SET KEY NO.90 (KEY NO.23,24,25,26,33,34,35,36,41)

**AT-110-1 42084100093 UPPER  
PG1010824-02 BOOM**

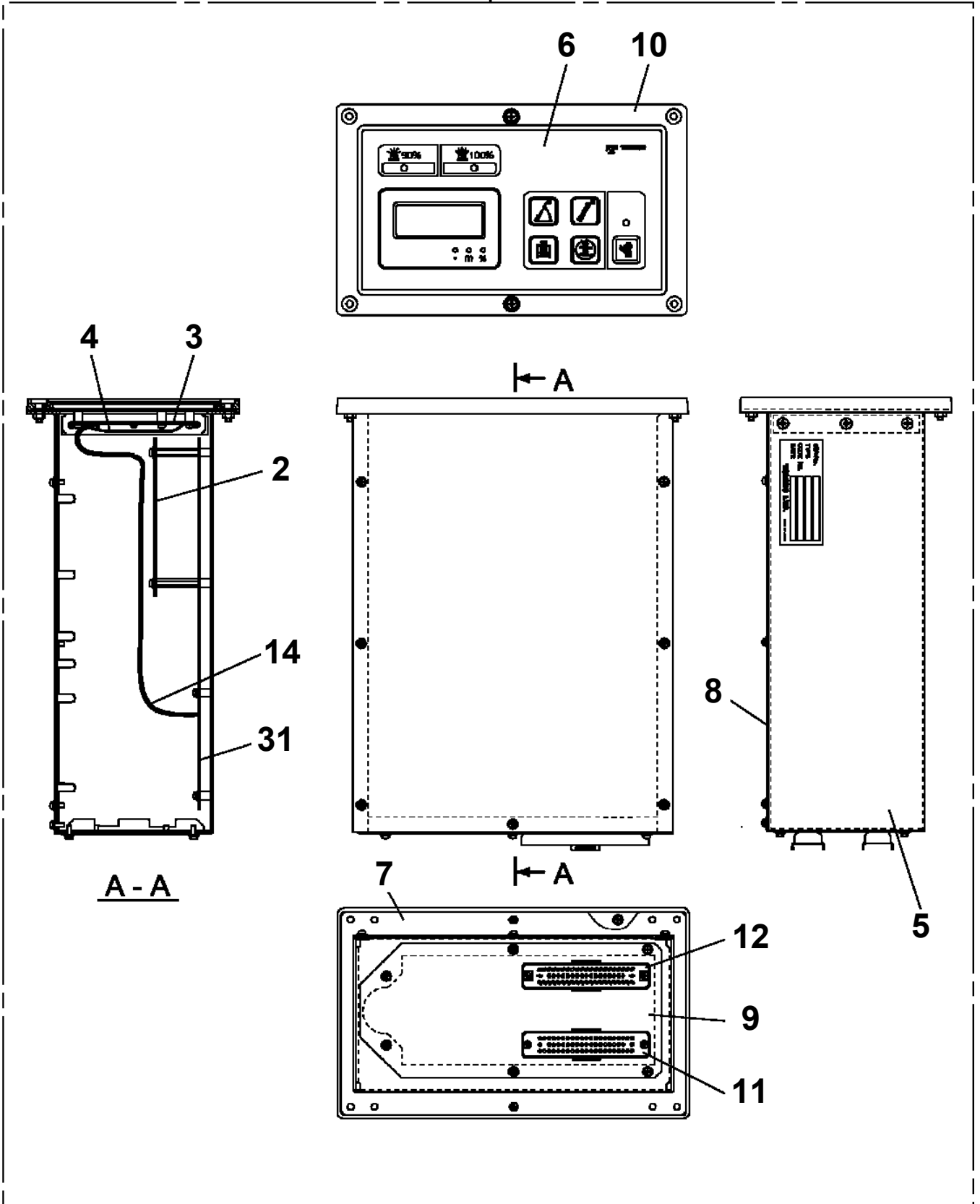


図中の左右の表示は、ブーム後端から先端を見たものです。

THE RIGHT AND LEFT IN FIGURE ARE THE EXPRESSION THAT SEES FROM BOOM END TO TOP.

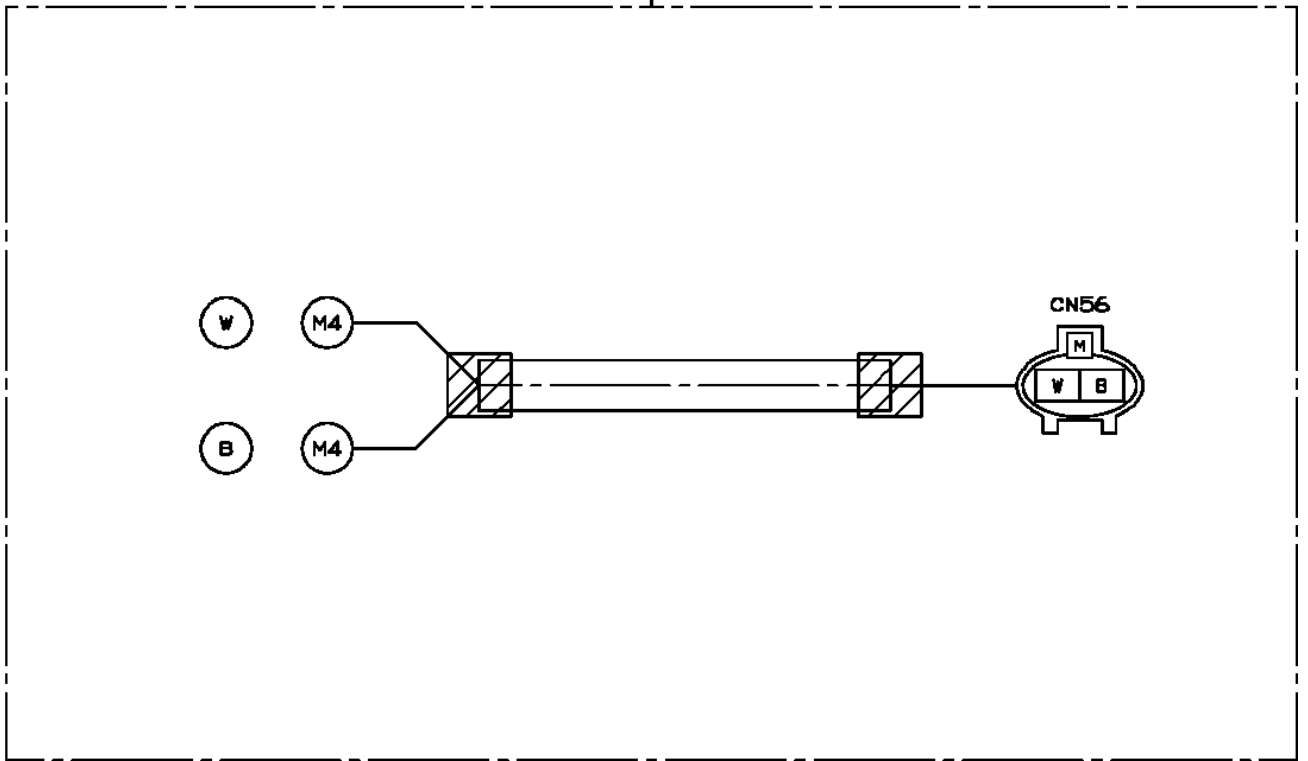
AT-110-1 42084100093 UPPER  
PH1480044-00 MOTION CONTROLLER (AMC)

100



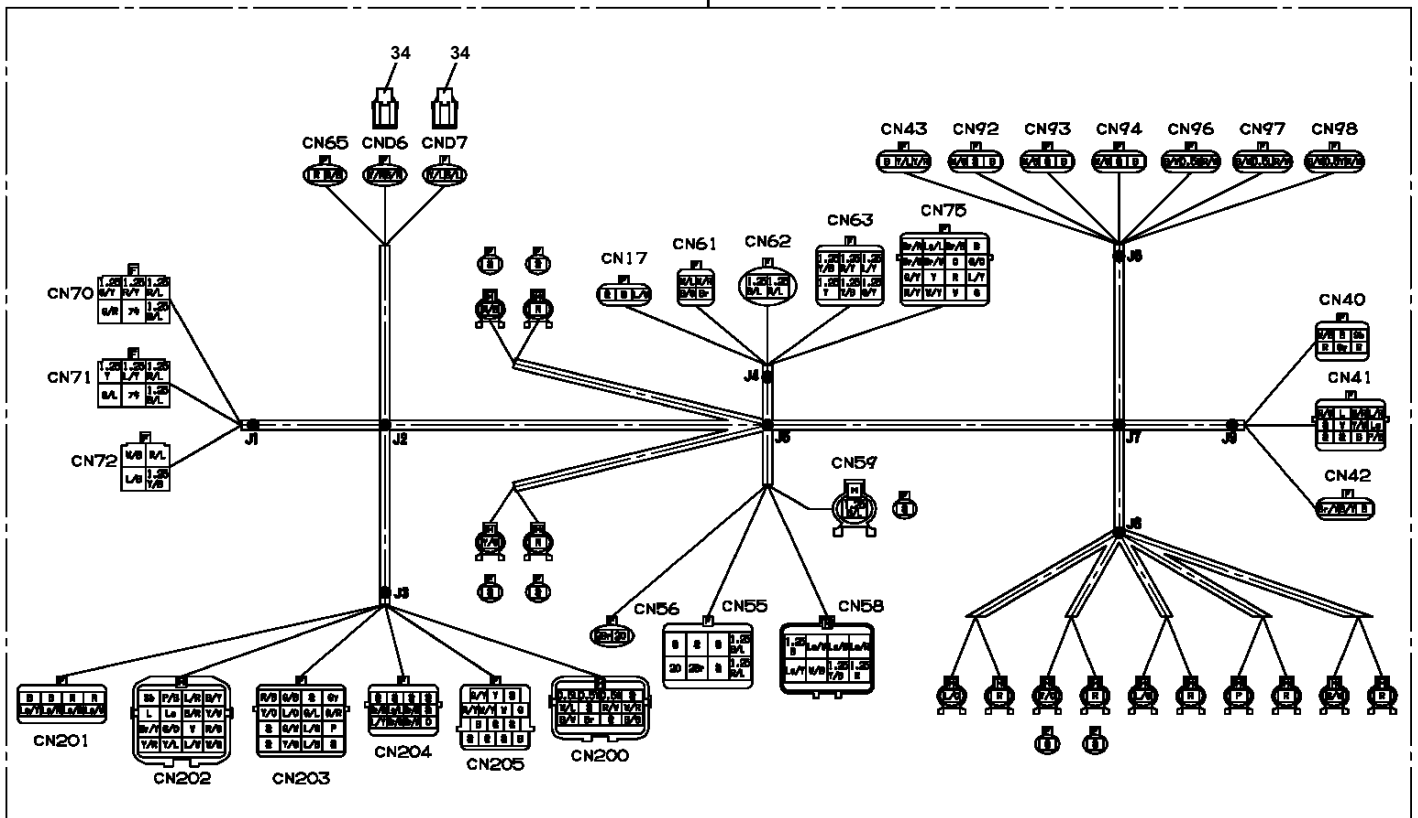
**AT-110-1 42084100093 UPPER  
PH5031646-00 HARNESS**

100

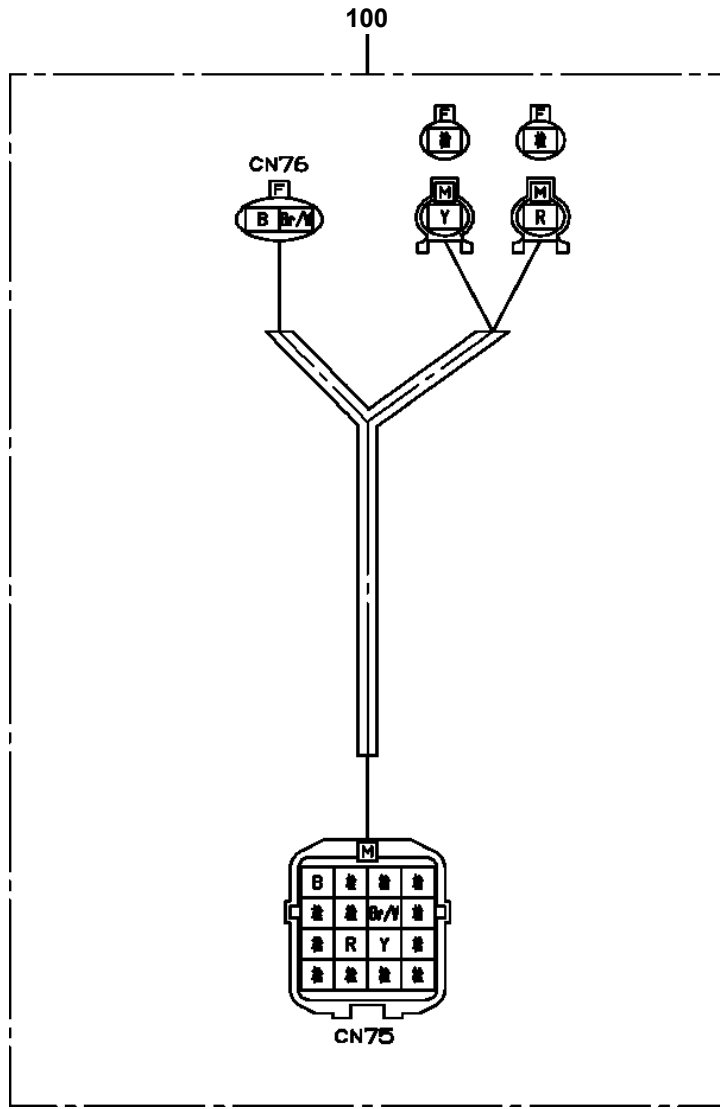


# AT-110-1 42084100093 UPPER PH5032085-00 HARNESS

100



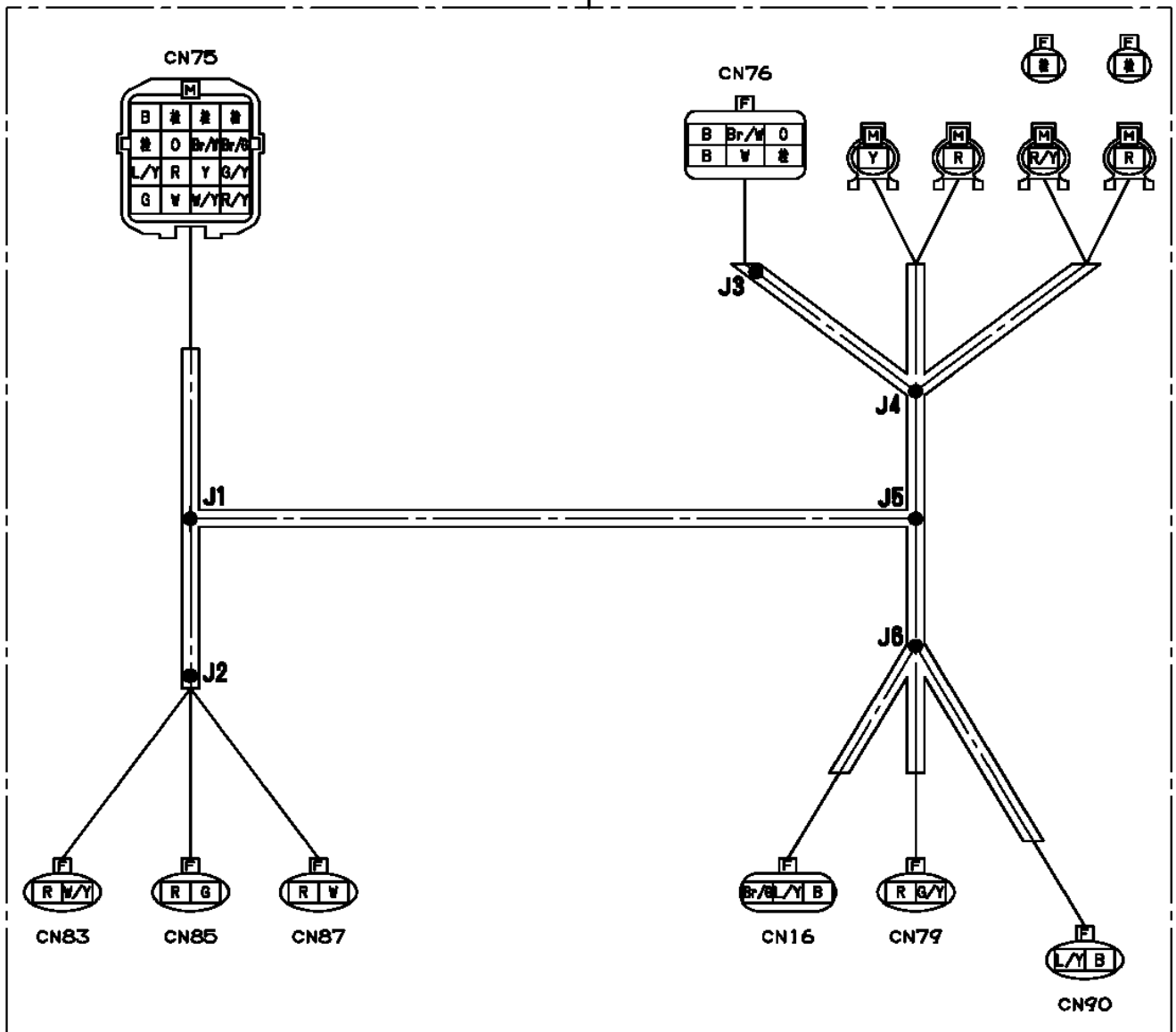
AT-110-1 42084100093 UPPER  
PH5032164-00 HARNESS





AT-110-1 42084100093 UPPER  
PH5032179-00 HARNESS

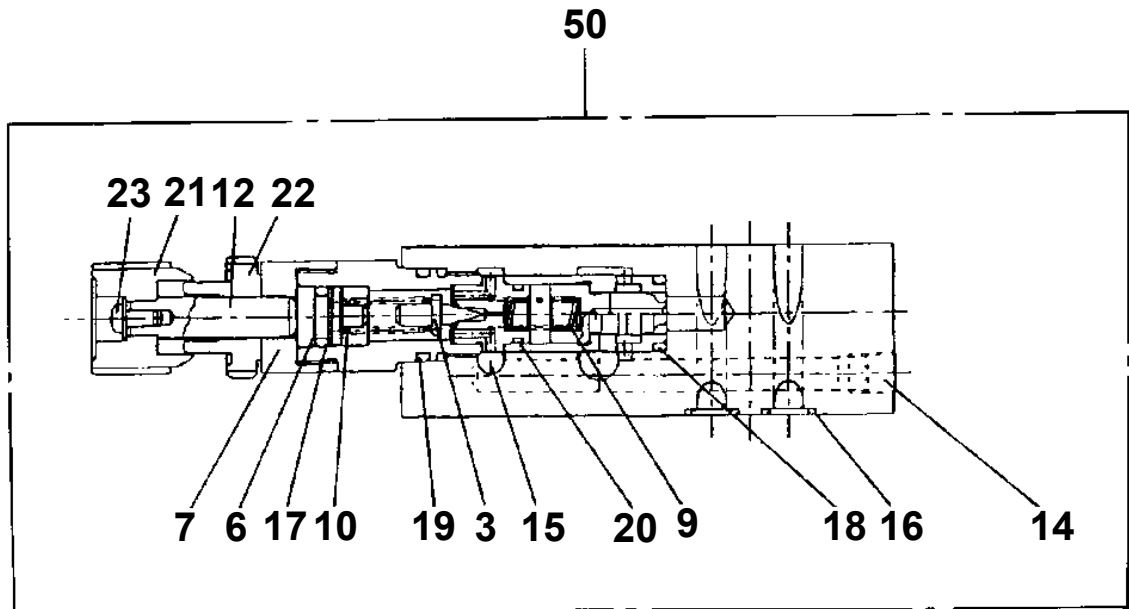
100



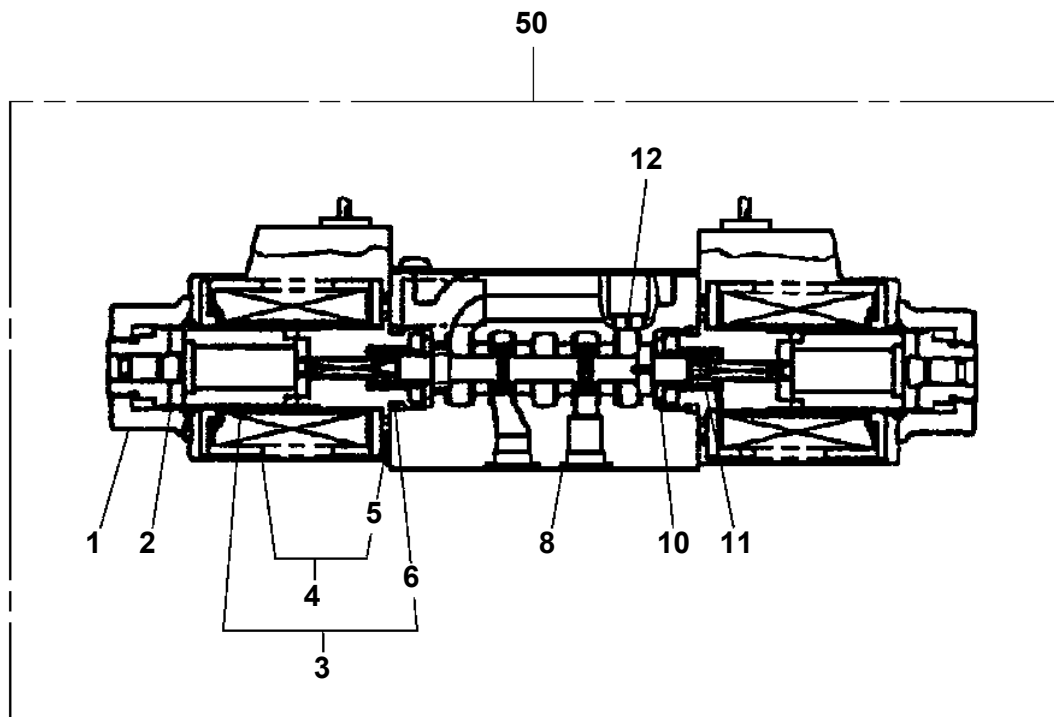
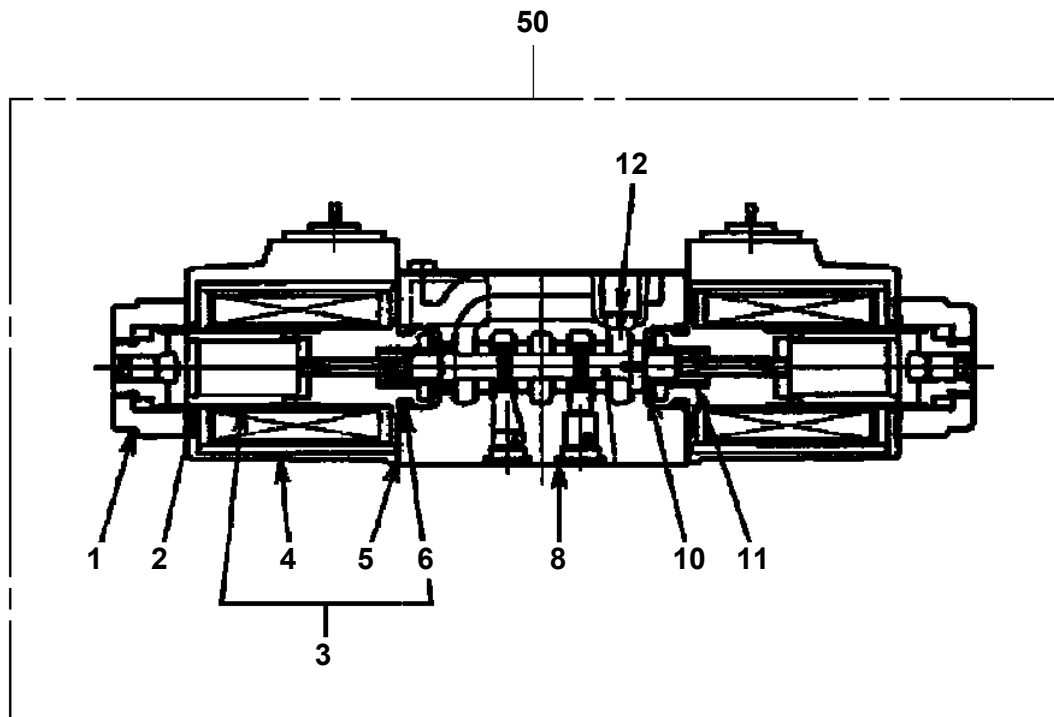
**AT-110-1 42084100093 UPPER**

**PI1100078-00 VALVE,RELIEF**

Assembly Name VALVE, RELIEF

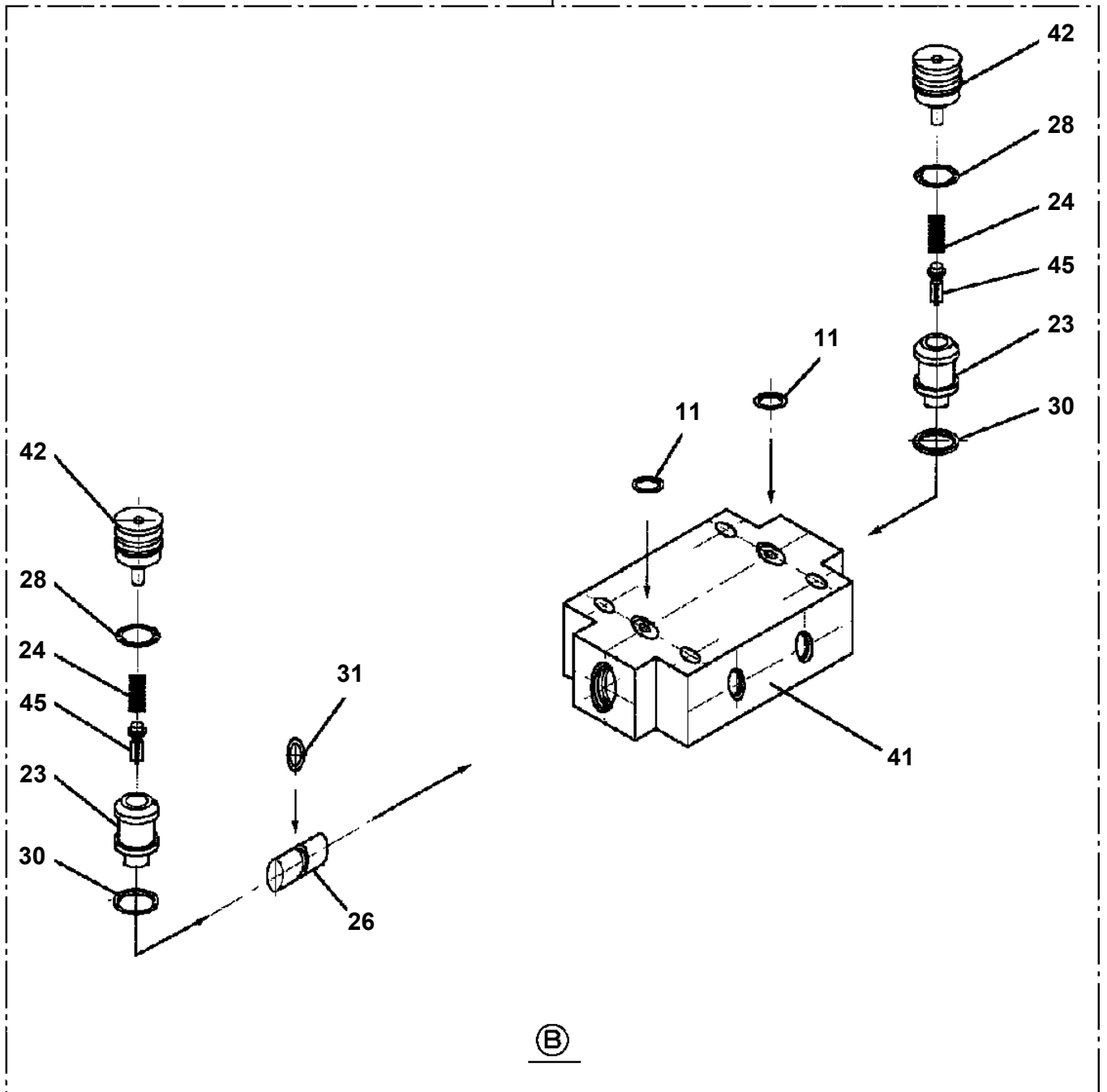


AT-110-1 42084100093 UPPER  
PI1120237-01 VALVE,SOLENOID

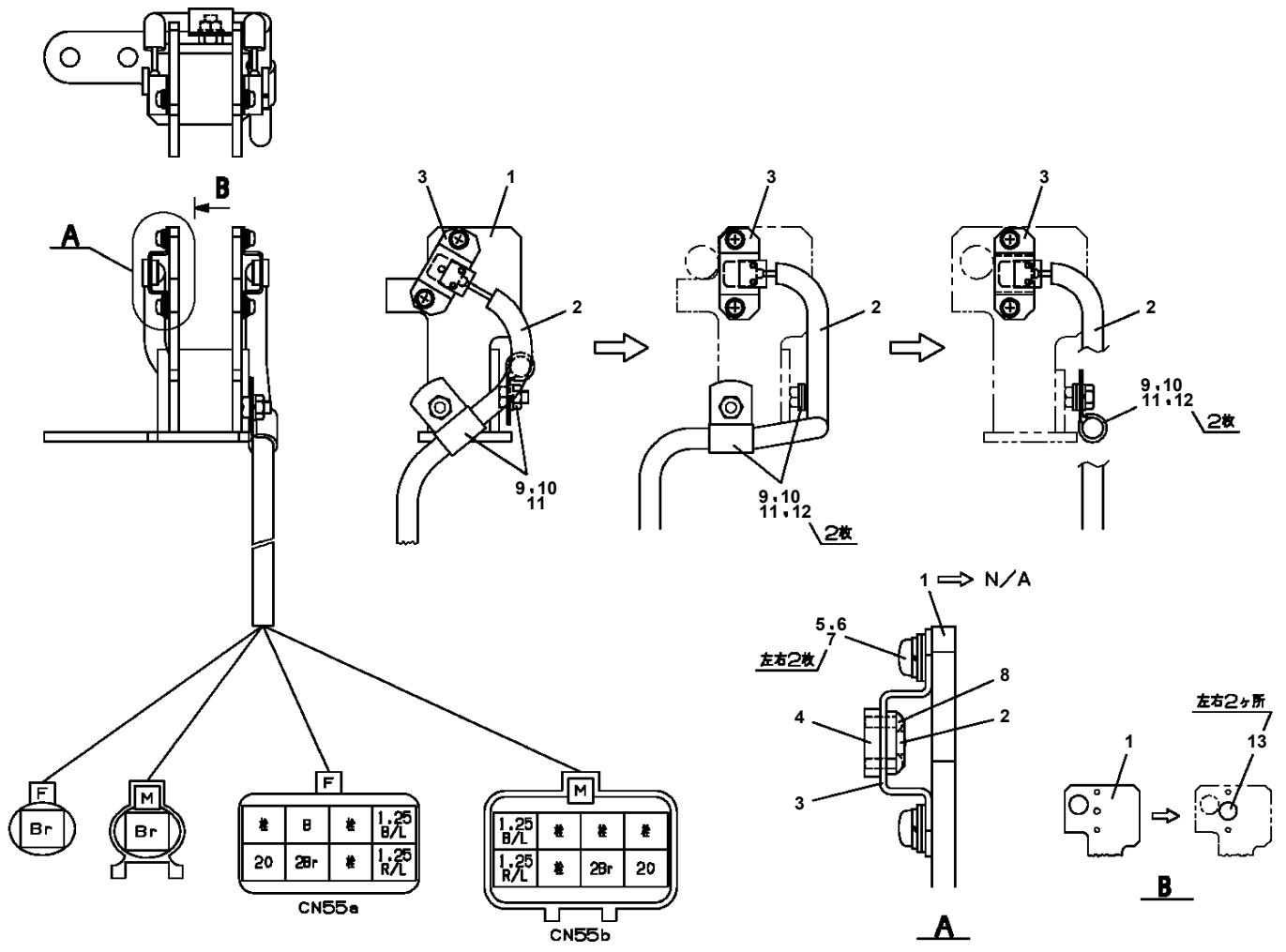


AT-110-1 42084100093 UPPER  
PI1140133-01 VALVE,CHECK

100



**AT-110-1 42084100093 UPPER  
PI5170040-00 INTERLOCK ASSY**



# AT-110-1 4208410093 UPPER

Pos No.	Parts No	Parts Name	Qty	Unit	Technical Data	Serial No (Start)	Serial No (End)	Remarks
1	42265351000	POST ASSY	1					
2	42264202000	FRAME ASSY	1					
6	42264200200	PLATE	2		T=1.0			
7	42264200300	GEAR	1					
8	42264200400	GUIDE	1					
9	37000159360	PIN	1					
10	80136363050	PIN,SPLIT	1		6.3X50			
11	82456101000	NIPPLE,GREASE	1		A-PT1/8			
12	82400000459	CAP	1					
13	42262252100	WHEEL,WORM	1					
14	80601110750	RING,RITAINING	1		S75			
15	90303501201	WASHER,PLAIN	16		12		218470	
	90303501201	WASHER,PLAIN	8		12	218471		
16	90171112065	BOLT	8		M12X65			
17	90171112050	BOLT	4		M12X50			
18	90201781200	NUT	4		M12			
19	90102212050	BOLT	2		M12X50			
20	90201201200	NUT	2		M12			
21	90171110030	BOLT	4		M10X30			
22	90302041001	WASHER,SPRING	4		10			
23	90303071001	WASHER,PLAIN	4		10			
24	90101208020	BOLT	4		M8X20			
25	90302040801	WASHER,SPRING	8		8			
26	42264310100	GUIDE	1					
27	90730006160	SCREW,SET	1		M6X16			
28	90101208014	BOLT	4		M8X14			
29	37000586760	WASHER,PLAIN	8		12	218471		
42	80801003540	BEARING,PLAIN	2					
53	80513006015	BEARING,BALL	2					
61	42262053400	MOTOR,ELECTRIC	1					
62	90172105022	BOLT,HEXAGON SOCKET	3		M5X22			
63	90302040501	WASHER,SPRING	3		5			
65	80913112140	KEY	2					
66	42264154100	GEAR ASSY	1					
67	44260300130	PLATE	1				219045	
68	44260300210	SUPPORT	1				219045	
69	44260300600	COUPLING	1					
70	90710004040	SCREW,SET	1		M4X4		219045	
	90710004040	SCREW,SET	2		M4X4	219046		
71	42264154010	SPACER	1					
72	42264154020	SHIM	N		T=0.5			
81	42264040800	WHEEL,WORM	1					
82	42265680200	STOPPER	1					
83	90172110035	BOLT,HEXAGON SOCKET	2		M10X35			
84	90309341003	WASHER,SPRING (10)	2					
91	42262053410	MOTOR,ELECTRIC	1					
92	44260301150	COVER	1					
93	91810132530	FASTENER	2					
101	42264154110	SUPPORT	1					
	42264153550	SUPPORT (IP)	1			219556		
102	42264154300	WORM	1					
103	42264154120	COVER	1					
104	90171108016	BOLT	4		M8X16			
105	90302040801	WASHER,SPRING	4		8			
106	42264154500	SHIM	N		T=0.5			
107	42264154600	SHIM	N		T=0.2			
108	80513006304	BEARING,BALL	2					
109	42264154130	SPACER	1					
121	44260307510	GEAR ASSY (WHEEL)	1					
122	44260307530	WASHER,TOOTH	1					
137	37000549940	PLATE	1		T=3.2	219046		
138	42264154030	SUPPORT	1			219046		

# AT-110-1 42084100093 UPPER

Pos No.	Parts No	Parts Name	Qty	Unit	Technical Data	Serial No (Start)	Serial No (End)
1	42331791100	PANEL	1				
2	42331793000	LEVER,CONTROL	1				
3	42331791200	SWITCH ASSY (WITH HARNESS,1 SW)	1				
4	90183106020	BOLT	8		M6X20		
5	37000568730	PLATE	8		T=1.5		
6	42420623600	LAMP ASSY (RED)	2				
7	82197518119	CAP (PLUS ONE MFG./BLACK)	1				
	82197518114	CAP (MATSUSHITA/BLACK)	1				
34	82100005004	LENS (RED)	2				

# AT-110-1 42084100093 UPPER

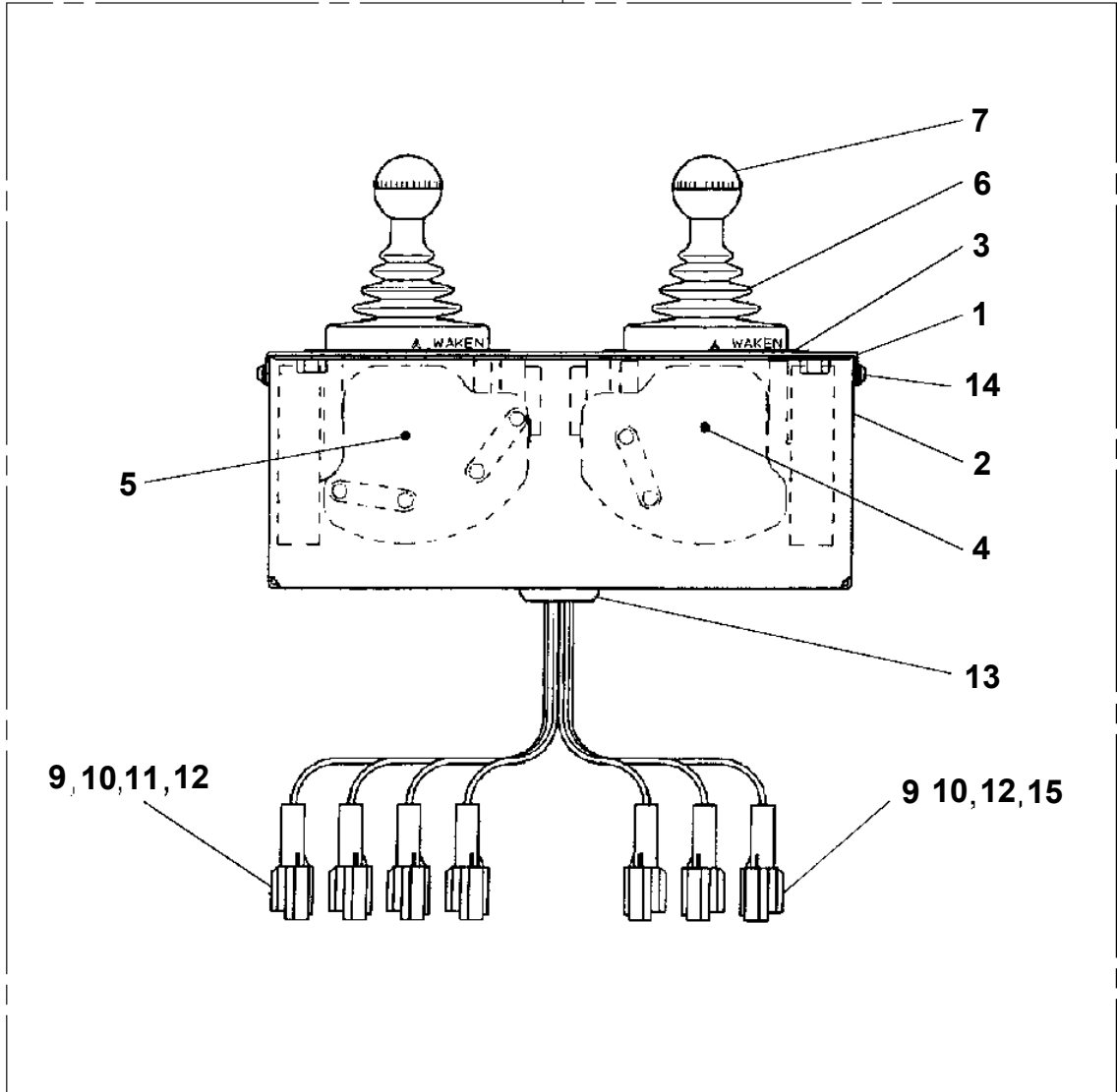
Pos No.	Parts No	Parts Name	Qty	Unit	Technical Data	Serial No (Start)	Serial No (End)	Remarks	Pages
1	42262620910	COVER	1						
2	42262620920	COVER	2						
3	80146708020	RIVET	12						
4	90303070801	WASHER,PLAIN	12		8				

# AT-110-1 4208410093 UPPER

Pos No.	Parts No	Parts Name	Qty	Unit	Technical Data	Serial No (Start)	Serial No (End)	Remarks	Pages
1	42500582201	COVER	1						
2	42500582301	COVER	1						
3	82464100201	HINGE	2						
4	80175305012	SCREW,MACHINE	6		M5X12				
5	90302040501	WASHER,SPRING	18		5				
6	90240200500	NUT,CAP	10		M5				
7	82460025402	CATCH	1						
8	80175305010	SCREW,MACHINE	4		M5X10				
9	90201200500	NUT	8		M5				
10	82460015102	STOPPER	1						
11	80172305010	SCREW,MACHINE	10		M5X10				
12	90303070601	WASHER,PLAIN	6		6				
13	90303070501	WASHER,PLAIN	2		5				
14	42500582500	COVER	1						
100	42500582101	COVER	1						

**AT-110-1 42084100093 UPPER  
PL1020045-00 LEVER,CONTROL**

30



CLICK HERE TO **DOWNLOAD** THE COMPLETE MANUAL

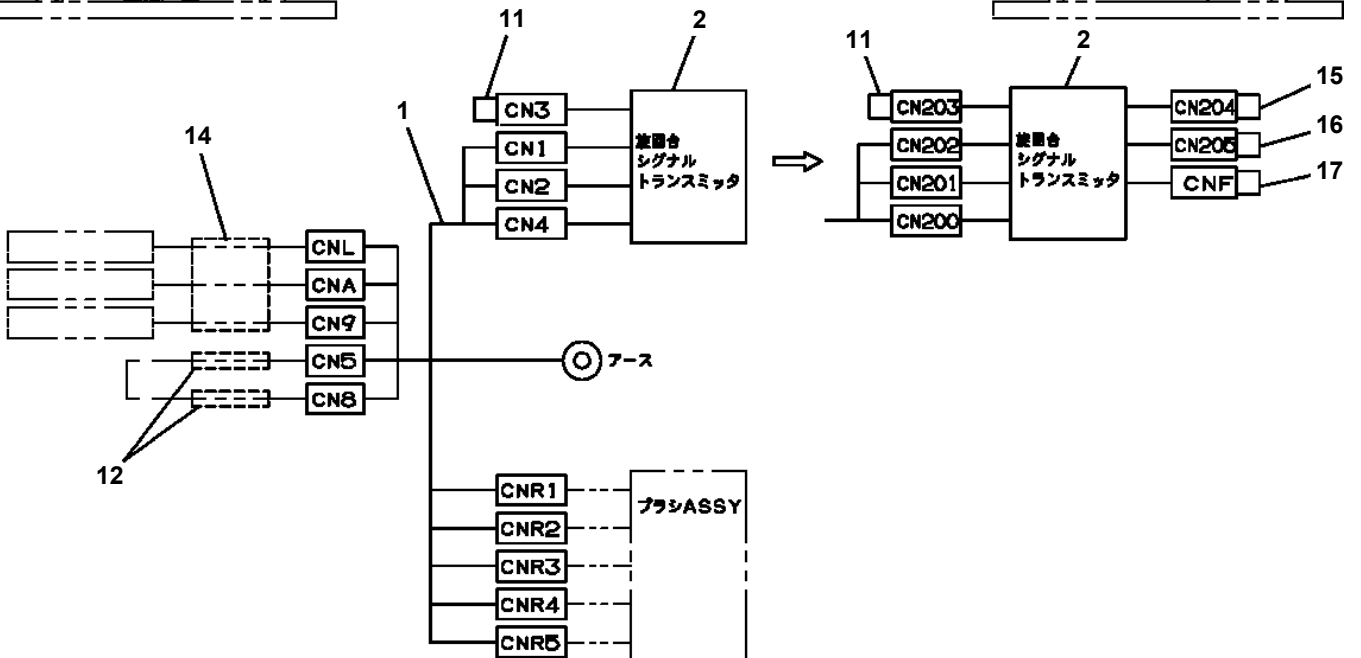
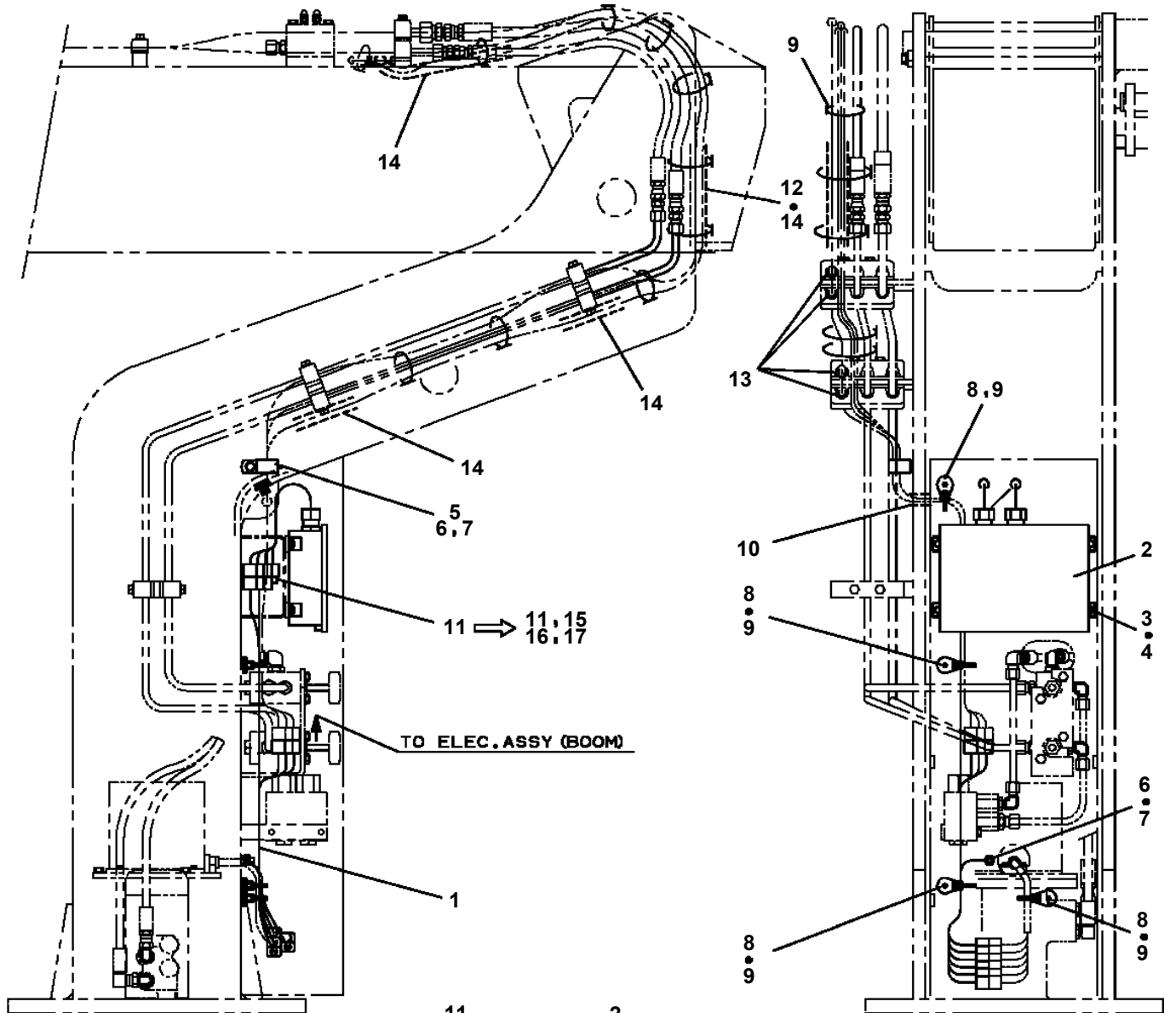
- Thank you very much for reading the preview of the manual.
- You can download the complete manual from: [www.heydownloads.com](http://www.heydownloads.com) by clicking the link below



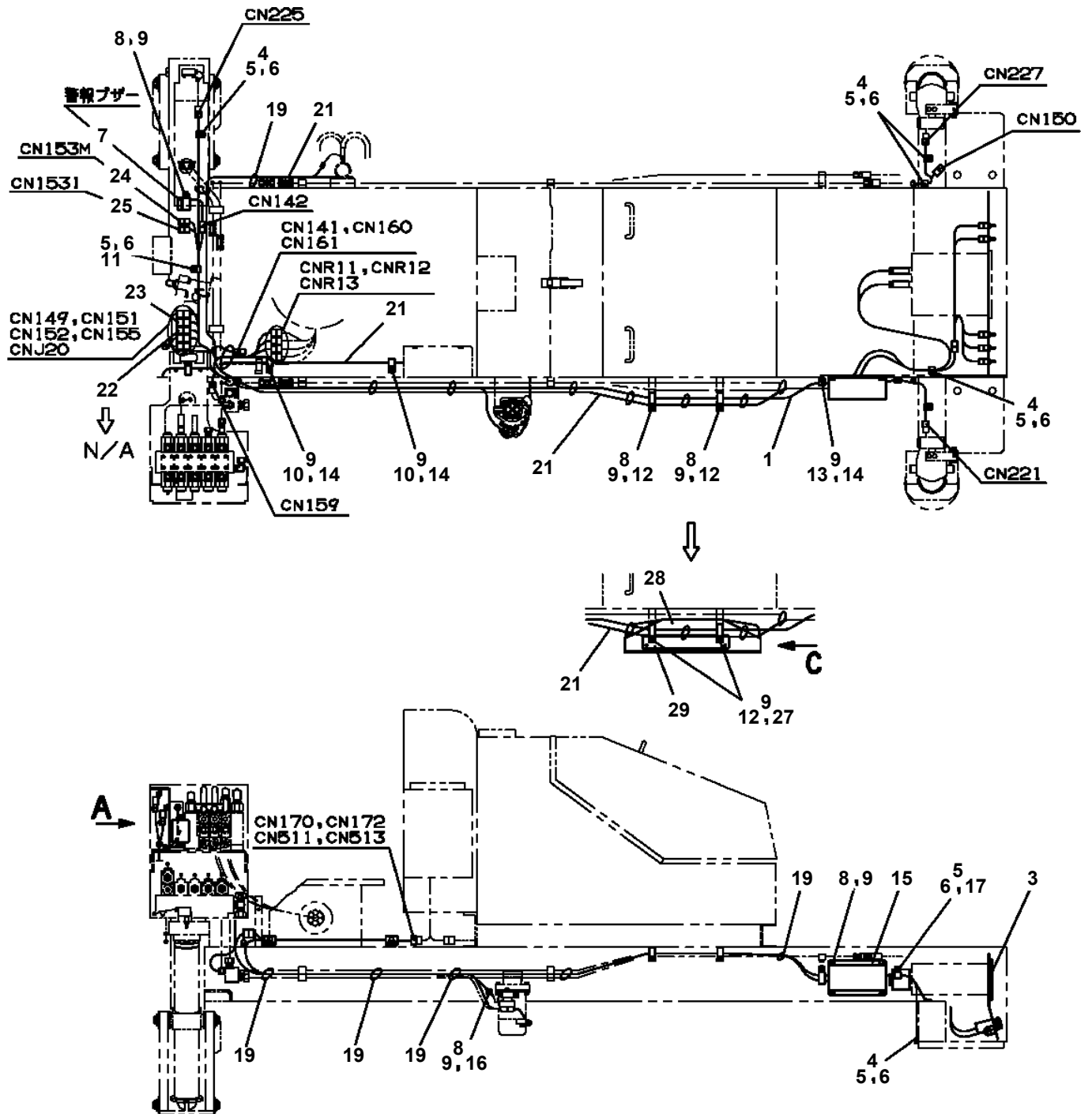
- Please note: If there is no response to CLICKING the link, please download this PDF first and then click on it.

CLICK HERE TO **DOWNLOAD** THE COMPLETE MANUAL

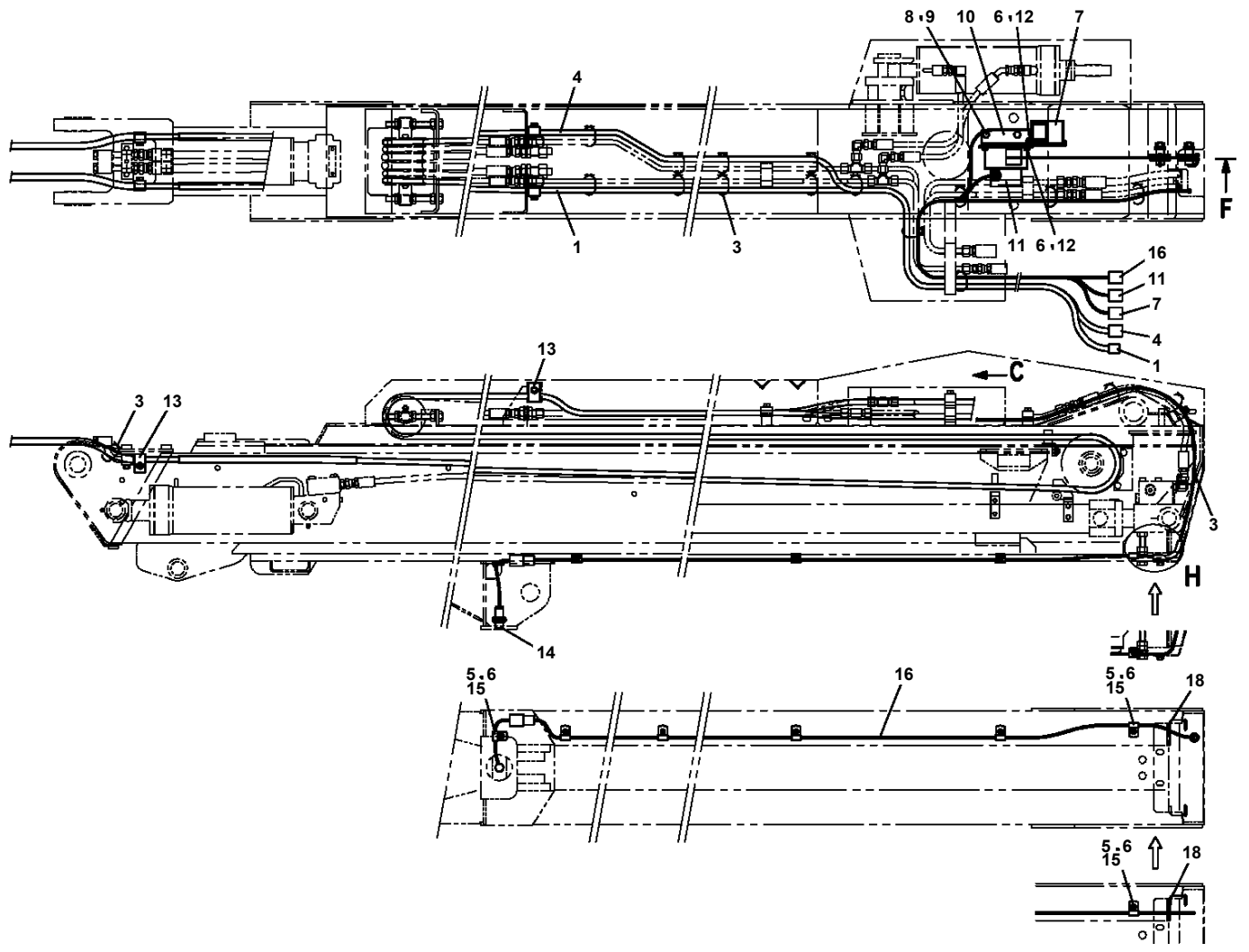
**AT-110-1 42084100093 UPPER  
PN1013140-01 ELEC.ASSY (SWING FRAME)**



**AT-110-1 42084100093 UPPER  
PN1013198-06 ELEC.ASSY (FRAME)**



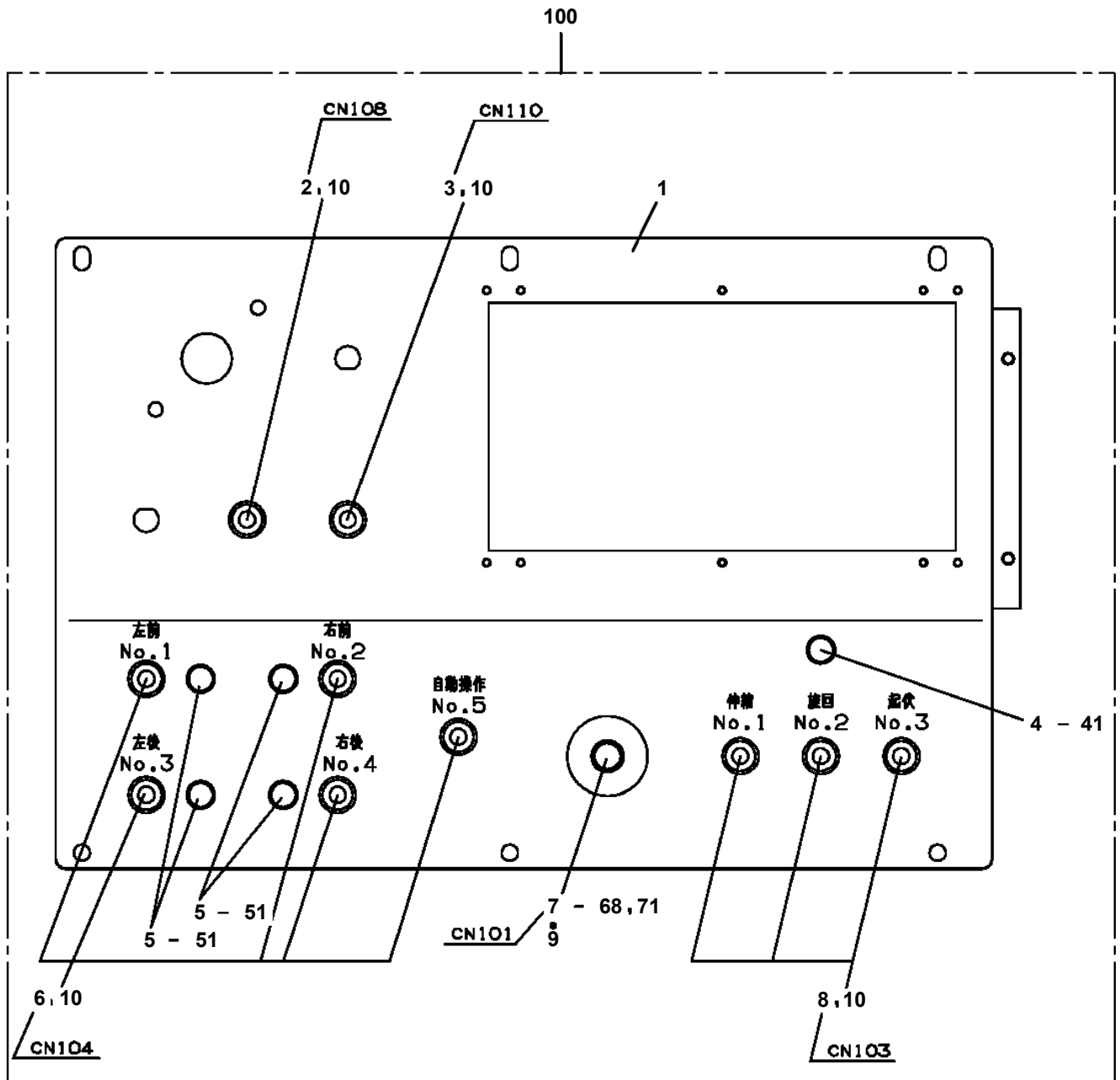
AT-110-1 42084100093 UPPER  
PN1013487-00 ELEC.ASSY (BOOM)



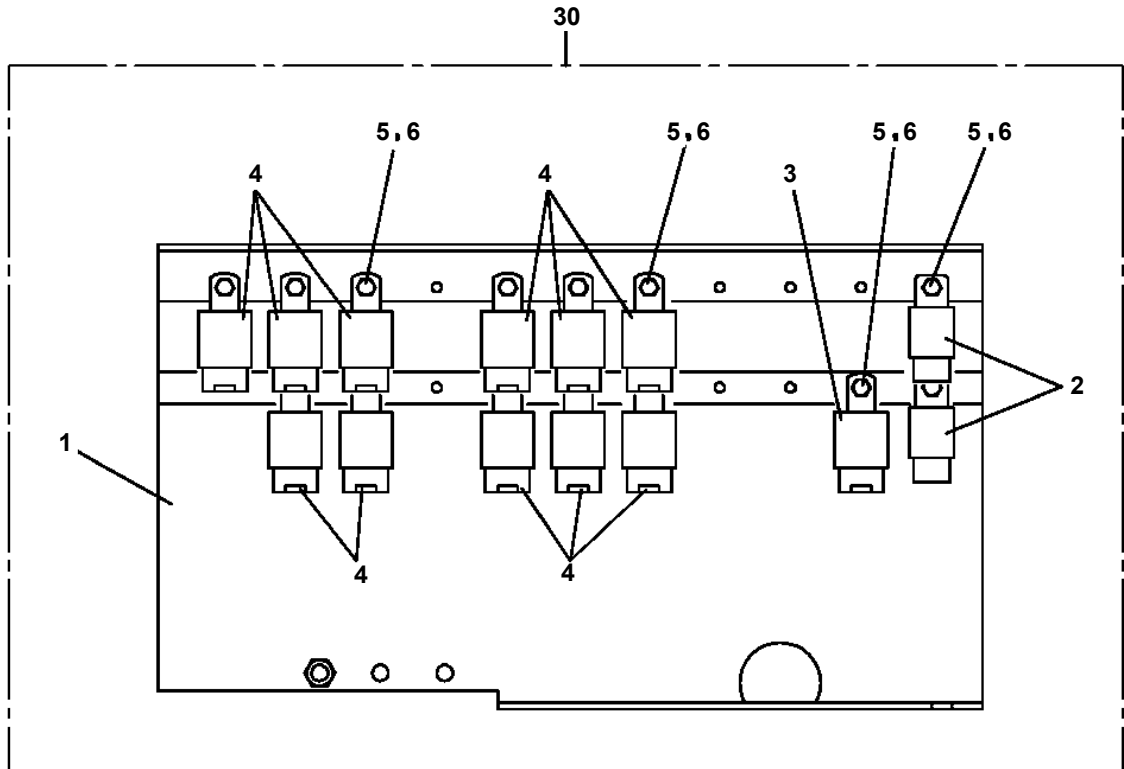
# AT-110-1 42084100093 UPPER

Pos No.	Parts No	Parts Name	Qty	Unit	Technical Data	Serial No (Start)	Serial No (End)
1	42477762010	PLATE,NAME	1				
2	42477762100	HARNESS	1				
3	42500583100	SUPPORT	1				
4	42474471150	HOLDER ASSY(FUSE,WITH HARNESS)	2				
5	82100002037	CLAMP	1		WE10		
6	90302040601	WASHER,SPRING	1		6		
7	90201200600	NUT	1		M6		
8	42500583200	CABLE ASSY	1				
11	42500583020	PLATE,NAME	1				
12	42500583030	PLATE,NAME	1				
14	91810130240	FASTENER	20				
15	82119422100	CONNECTOR	1				
32	82100001348	FUSE	2		15A,6.5X30		

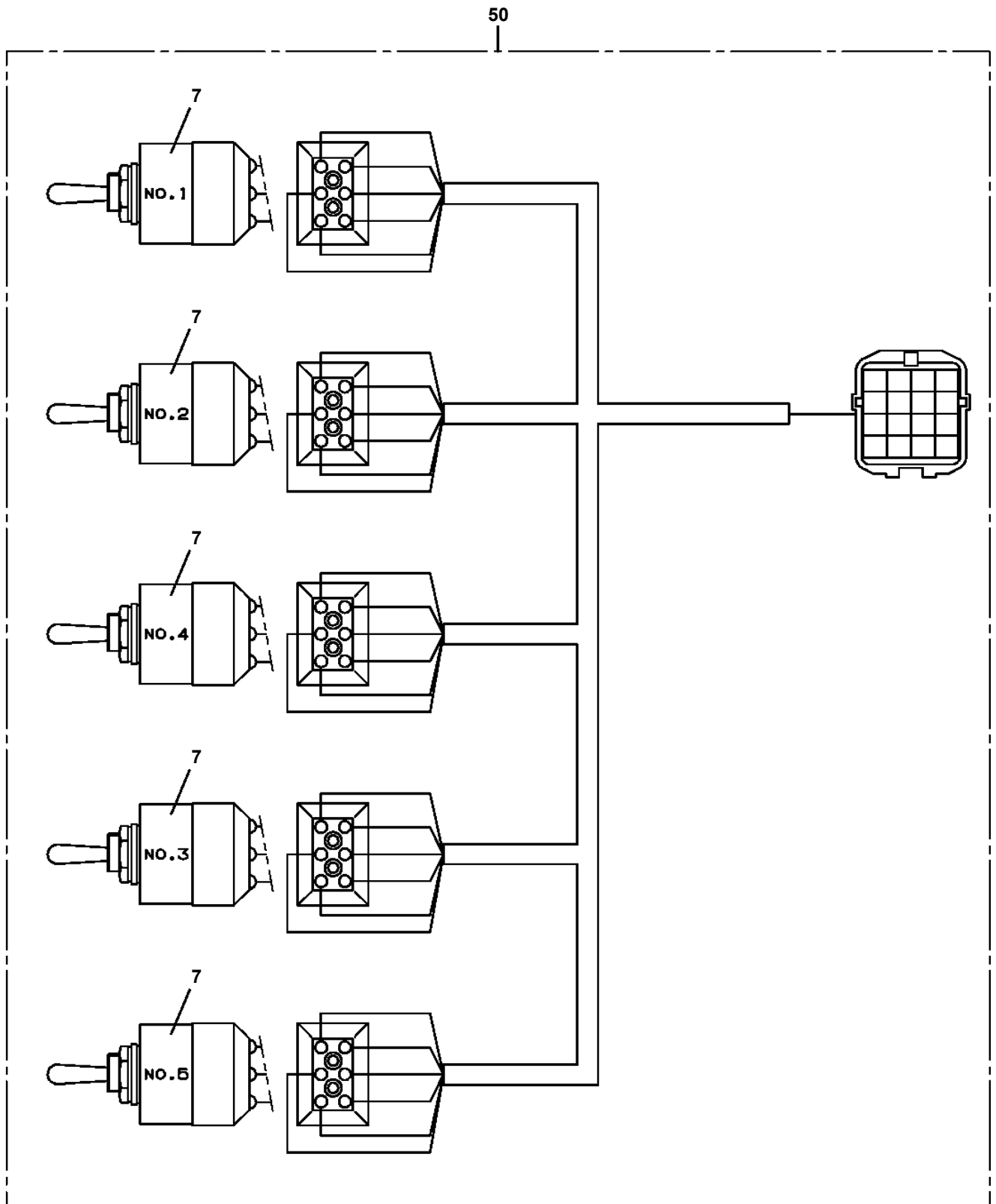
**AT-110-1 42084100093 UPPER  
PN1060231-02 SWITCH PANEL**



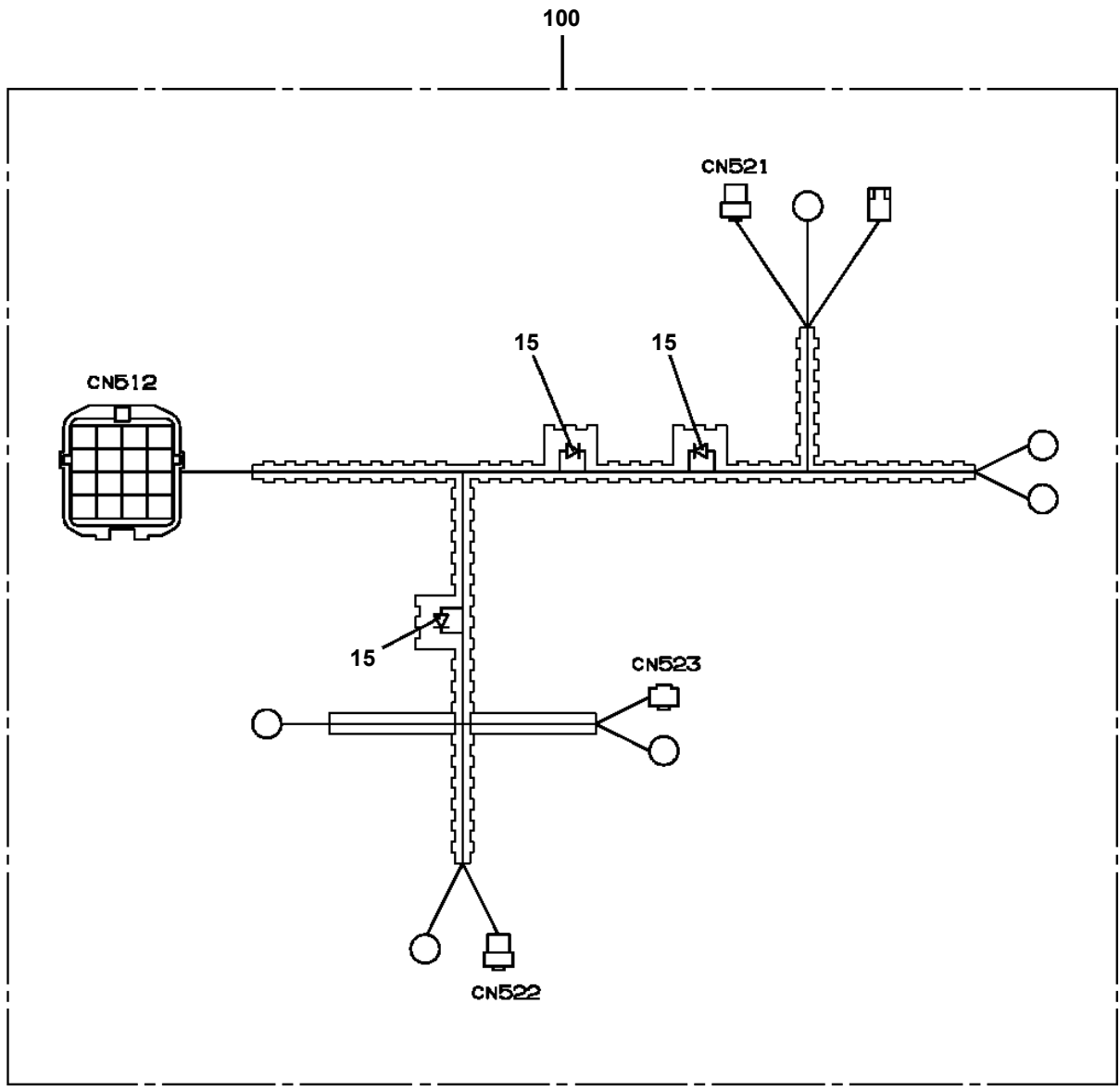
AT-110-1 42084100093 UPPER  
PN1110323-00 RELAY ASSY



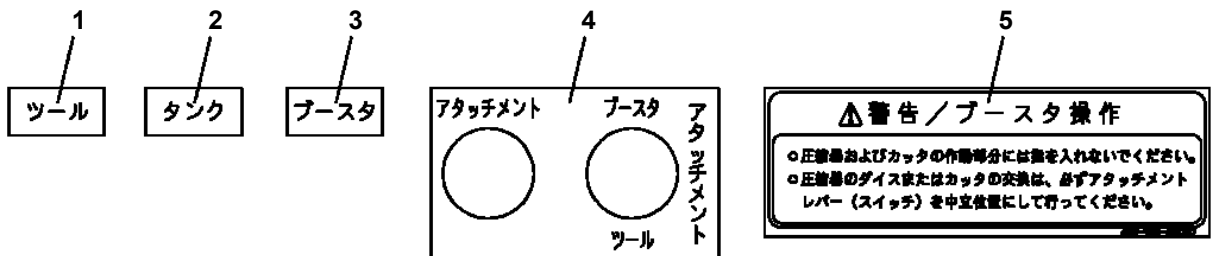
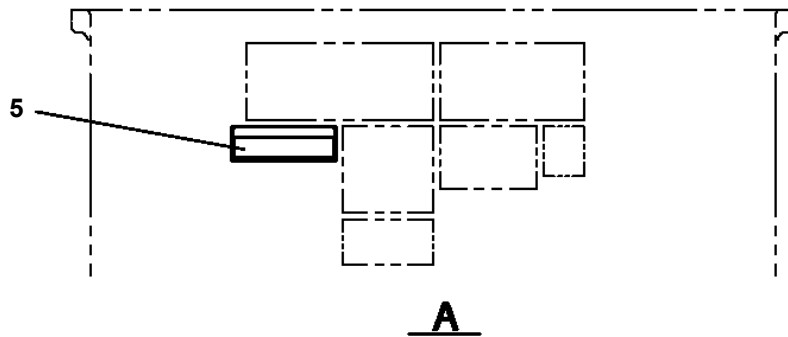
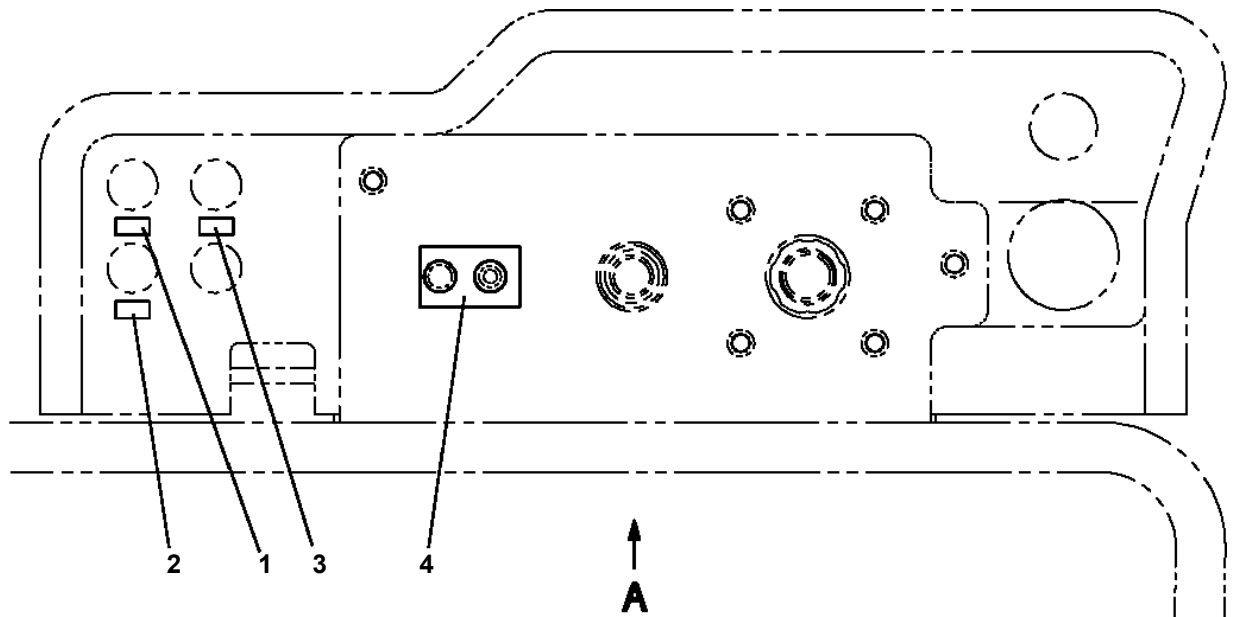
**AT-110-1 42084100093 UPPER  
PN1140168-00 SWITCH ASSY (WITH HARNESS,5 SW)**



AT-110-1 42084100093 UPPER  
PN1450147-00 HARNESS



AT-110-1 42084100093 UPPER  
 PO1013123-01 PLATE ASSY,NAME (OPTION,BOOSTER)





# AT-110-1 42084100093 UPPER

Pos No.	Parts No	Parts Name	Qty	Unit	Technical Data	Serial No (Start)	Serial No (End)	Remarks	Pages
1	42394494010	PLATE	1						
2	90101208014	BOLT	2		M8X14				
3	90201200800	NUT	2		M8				
4	90302040801	WASHER,SPRING	2		8				
5	42391860700	REFLECTOR (RED)	2						

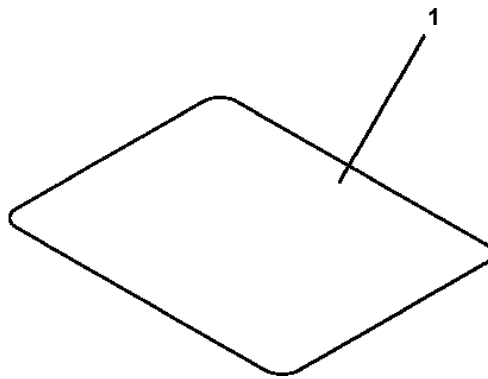
# AT-110-1 42084100093 UPPER

Pos No.	Parts No	Parts Name	Qty	Unit	Technical Data	Serial No (Start)	Serial No (End)	Remarks	Pages
20	36361335110	ELEMENT,FILTER	1						
70	36361335120	PLUG	1						
80	36361335130	O-RING	1						
100	36361330230	FILTER,FUEL	1						

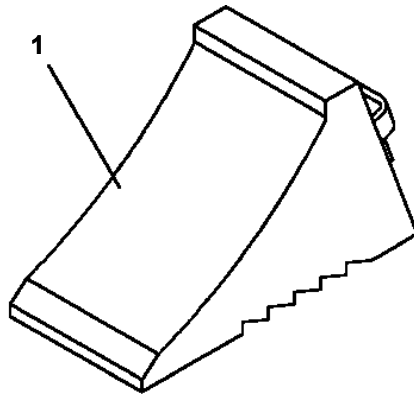
# AT-110-1 4208410093 UPPER

Pos No.	Parts No	Parts Name	Qty	Unit	Technical Data	Serial No (Start)	Serial No (End)
5	36648355390	PLUG	3				
6	36646965020	PLUG	2				
7	36648355390	PLUG	9				
8	36648355390	PLUG	3				
9	36636505010	PLUG	1				
10	36648355010	PLUG	2				
11	36648355440	PLUG	1				
12	36636505010	PLUG	4				
13	91002802200	O-RING	12		1B P22		
14	91002800700	O-RING	23		1B P7		
15	91002801100	O-RING	2		1B P11		
16	91002802000	O-RING	2		1B P20		
17	91002800700	O-RING	2		1B P7		
18	91001000800	O-RING	1		S8		
19	91002801800	O-RING	1		1B P18		
22	36648355400	COVER,END (1)	3				
23	36648355410	COVER,END (2)	3				
24	36648355420	COVER	3				HK0363
	36742265010	COVER	3			HK0364	
25	36648355070	COVER (SOLENOID)	6				
26	36646965020	PLUG	3				
27	36641715010	PLUG	9				HK0363
	36742265040	VALVE ASSY,RELIEF	9			HK0364	
28	36641715020	CAP	9				HK0363
	36742265030	CAP	9			HK0364	
29	36648355390	PLUG	3				
30	91001002400	O-RING	3		S24		
31	91002800600	O-RING	6		1B P6		
32	91002801100	O-RING	3		1B P11		
33	91002802000	O-RING	3		1B P20		
34	91001002900	O-RING	3		S29		
35	90131505016	BOLT,HEXAGON SOCKET	24		M5X16		
36	90131506035	BOLT,HEXAGON SOCKET	12		M6X35		
37	90131505008	BOLT,HEXAGON SOCKET	12		M5X8		
38	36648355110	SCREW	3				HK0363
	36741735040	SCREW	3			HK0364	
42	36648355120	SPRING	3				
43	36648355130	SPRING	3				
44	36648355140	SEAT,SPRING	6				
45	36648355150	BOLT (SPACER)	3				
46	36648355160	PIN	3				
47	36648355170	PIN	3				
48	36648355180	PIN	3				
49	36648355190	LEVER	3				
50	36648355200	KNOB	3				
51	36648355210	CAP	3				
52	36648355220	PIN,SPRING	3				
53	36648355230	ROLLER,NEEDLE	3				
54	36648355240	O-RING	6				
55	36648355250	SEAT (1)	3				
56	36648355260	SEAT (2)	3				
57	36648355270	BALL,STEEL	3				
58	36648355280	PLUG	4				
59	91002801400	O-RING	4		1B P14		
60	91000501200	O-RING	3				
61	91000501300	O-RING	3		AS568-013		
65	36648355320	SPRING	1				
66	36648355330	SPRING	1				
67	36648355340	SPRING	3				
68	36648355350	PLUG	5				
69	91002801400	O-RING	5		1B P14		
70	36648355360	BOLT	4				
71	36648355370	NUT	4				

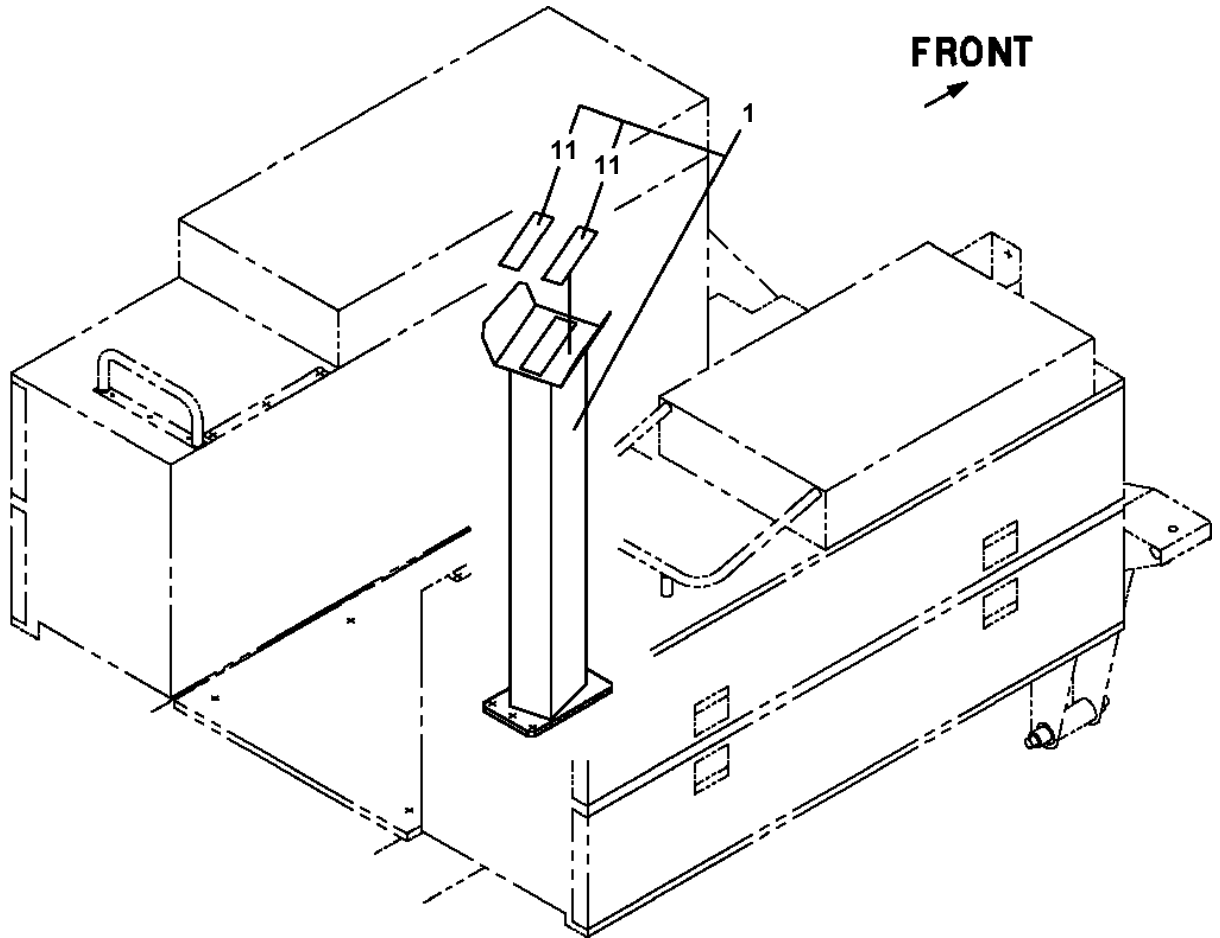
**AT-110-1 42084100093 UPPER  
PW1010251-00 ACCESSORIES (MAT/FOR SI BUCKET)**



**AT-110-1 42084100093 UPPER  
PW5110002-00 WEDGE (STOPPER FOR TIRE/WAZUMI)**

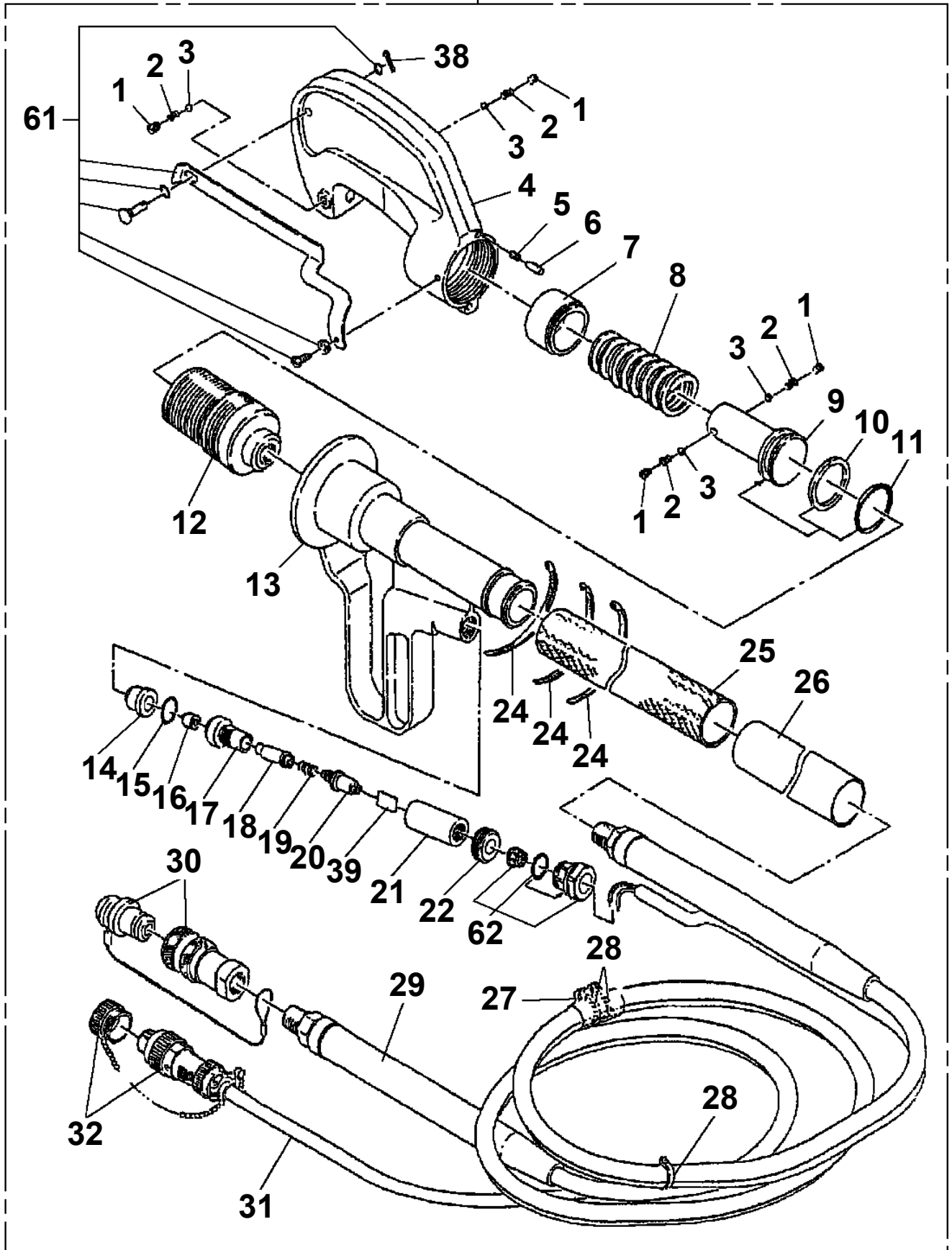


**AT-110-1 42084100093 UPPER  
PX1120568-01 BOOM REST**

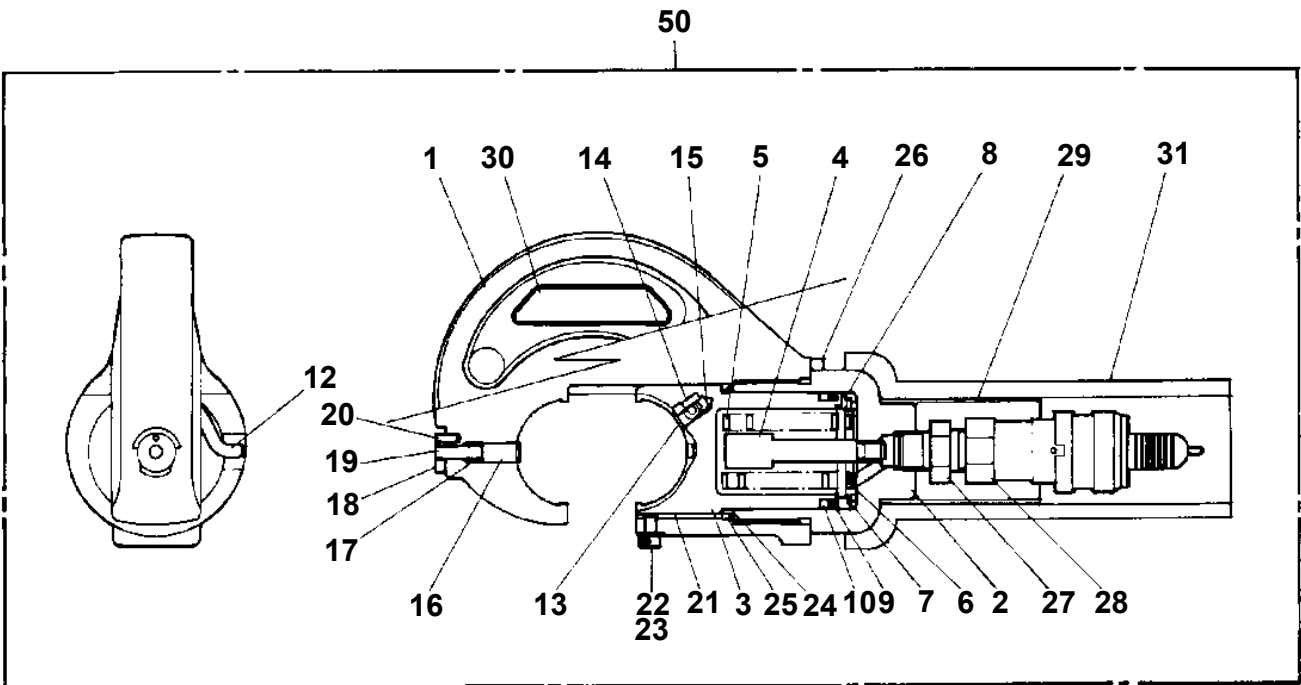


AT-110-1 42084100093 UPPER  
PY1050001-01 CLAMP HEAD (IZUMI 8TON,2.5M)

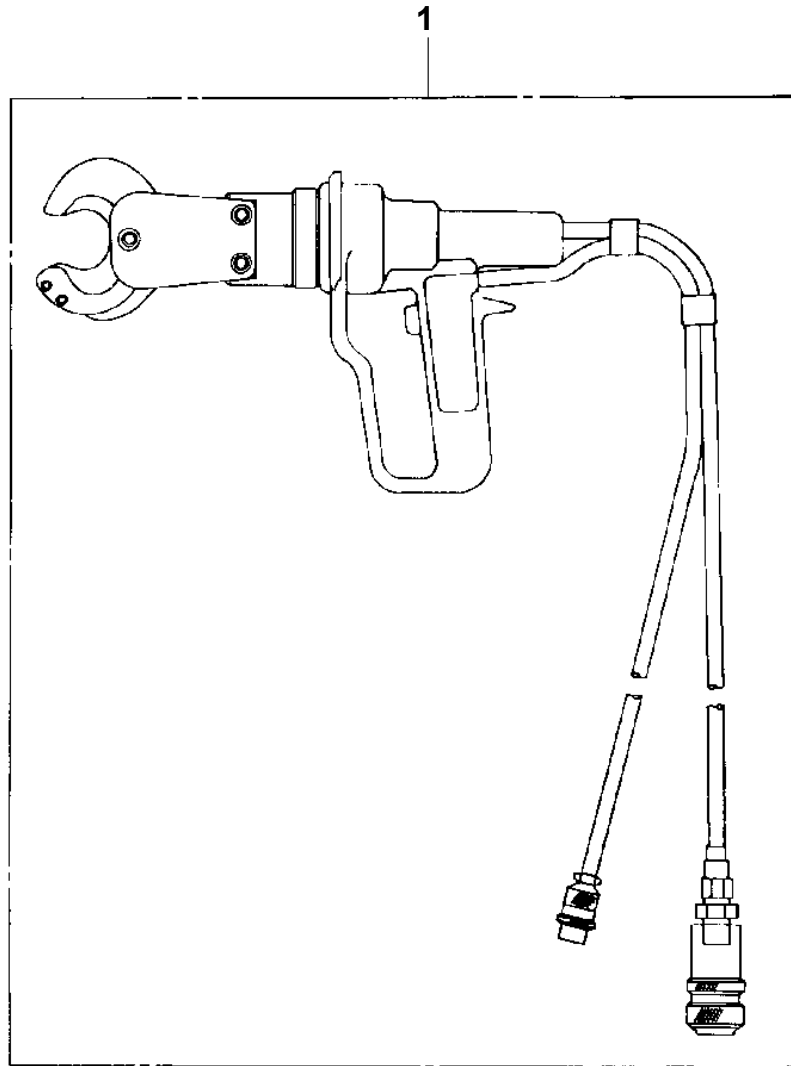
100



AT-110-1 42084100093 UPPER  
PY1050007-00 CLAMP HEAD (SANWA,12TON)

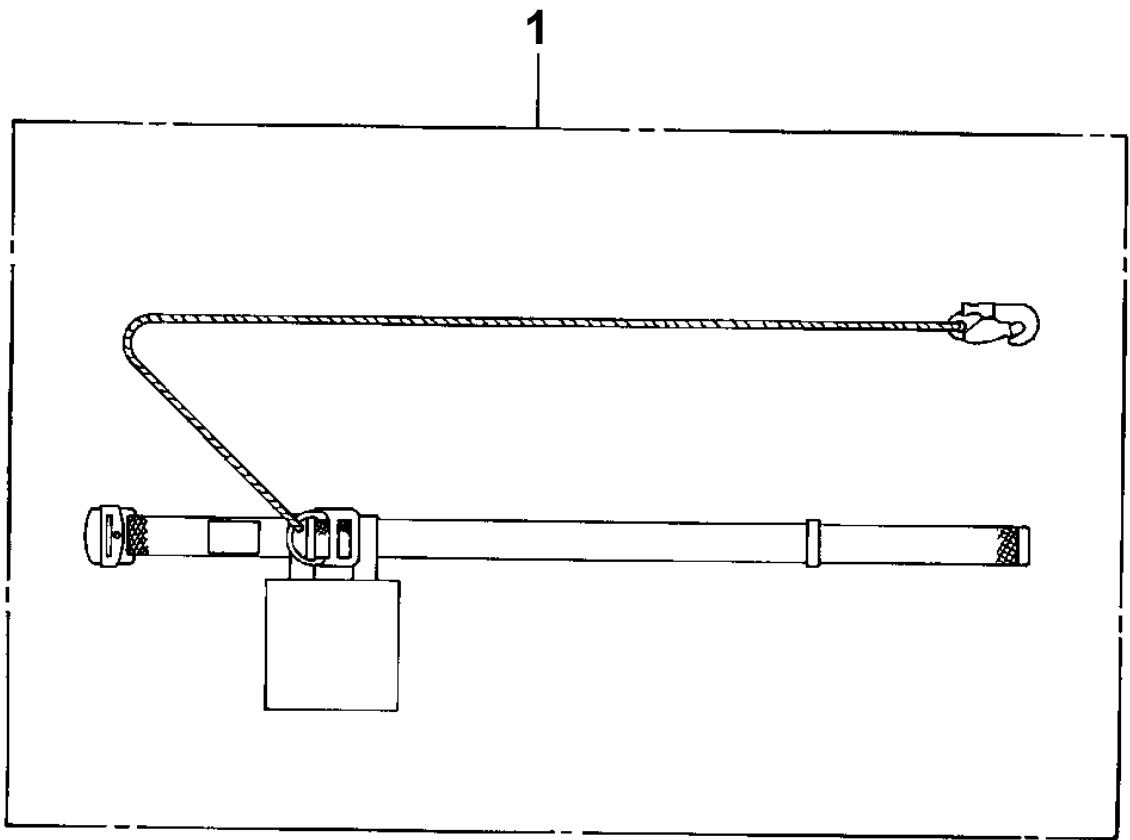


**AT-110-1 42084100093 UPPER  
PY1060001-00 CUTTER HEAD (IZUMI 6.4TON 2.5M ELECTRIC)**



AT-110-1 42084100093 UPPER  
PY1090001-00 BELT, SAFETY

---



**AT-110-1 42084100093 UPPER  
PY1160169-00 BOOSTER (AIR/12TON,INCHING)**

1	ブースタ BOOSTER
2	プレートASSY,ネーム PLATE ASSY,NAME
3	パイピング,アウトレット(ブーム/スイング フレーム) PIPING,OUTLET (BOOM/SWING FRAME)
4	パイピング,ハイドラリック アウトレット(ロー) PIPING,HYDRAULIC OUTLET (LOWER)
5	スイッチ インスタレーション SWITCH INSTALLATION
6	マウント,サポート MOUNT,SUPPORT

# AT-110-1 4208410093 UPPER

Pos No.	Parts No	Parts Name	Qty	Unit	Technical Data	Serial No (Start)	Serial No (E
2	42479701100	HARNESS	1				
3	42420623600	LAMP ASSY (RED)	1				
5	36100250000	RESERVOIR,OIL	1				
6	37002800630	OIL,HYDRAULIC	1	L			
7	89630701000	HOSE,VINYL	1		10X15,1M		
8	91803880070	CLIP	2		D=13.1-16.2		
9	90101206008	BOLT	2		M6X8		
11	90201200600	NUT	1		M6		
12	90302040601	WASHER,SPRING	3		6		
13	90101208020	BOLT	3		M8X20		
14	90302040801	WASHER,SPRING	5		8		
15	82100002012	CLAMP	1		WR18		
16	37000925900	JOINT	1				
17	37001600820	NUT	1		PF3/8		
18	90303071601	WASHER,PLAIN	2		16		
19	37000917210	FITTING	2		PF1/4XPF1/4		
20	37001600810	NUT	2		PF1/4		
21	90303071401	WASHER,PLAIN	4		14		
22	42310040050	ROPE (TETORON)	3				
23	82100001735	SLEEVE	6				
24	91810130230	FASTENER	3				
25	37002461530	HOSE	1		L=540		
26	80456240600	JOINT,SELF SEALING (WITH DUST CAP)	1				
27	37002461860	HOSE	2		L=425		
28	80456020610	JOINT,SELF SEALING	1				
29	42340013200	JOINT,SELF SEALING (WITH CAP)	1				
30	37000908460	JOINT	2				
31	91810132530	FASTENER	15				
32	42352420300	SWITCH ASSY	1				
34	37000573890	PLATE	2				
35	37000928190	JOINT	1				
36	80430620400	JOINT	2				
37	36646540000	VALVE,SOLENOID	1				
38	90172105045	BOLT,HEXAGON SOCKET	4		M5X45		
40	90101208055	BOLT	2		M8X55		
41	37002449130	HOSE	1		L=500		
42	37002453620	HOSE	1		L=375		
43	37002467700	HOSE	1		L=470		
44	37002467020	HOSE	1		L=620		
45	37002467500	HOSE	1		L=550		
46	37002460840	HOSE	2		L=2550 TO 2600		
47	82400000422	FASTENER	1				
48	82197518119	CAP (PLUS ONE MFG./BLACK)	1				
	82197518114	CAP (MATSUSHITA/BLACK)	1				
49	42350250070	PLUG (2 POLES,MALE)	1				
50	91002801100	O-RING	2		1B P11		
52	37000917480	JOINT	2		S G1/4-G3/8		
74	82100005004	LENS (RED)	1				
81	42471437520	CAP	1				
91	42340017510	CAP (DUST)	1				
111	36051441000	BOOSTER	1				
112	36052790100	JOINT ASSY	1				
113	90172108020	BOLT,HEXAGON SOCKET	4		M8X20		
121	42342871000	VALVE,SOLENOID	1				
122	42474411200	JOINT	1				
123	80400160187	JOINT	1		G1/4-G1/4		
124	37000919710	JOINT,BUSHING	1				
125	37000908730	JOINT (WITH O-RING)	1		L,G3/8-G1/4		
126	80430620400	JOINT	3				
127	80481102030	JOINT	2		L G1/4-G3/8		
128	37000925690	JOINT	2				
129	91002801400	O-RING	2		1B P14		
130	91002801100	O-RING	11		1B P11		

# AT-110-1 4208410093 UPPER

Pos No.	Parts No	Parts Name	Qty	Unit	Technical Data	Serial No (Start)	Serial No (E
2	42479781100	HARNES	1				
3	91810132530	FASTENER	10				
5	36100250000	RESERVOIR,OIL	1				
7	89630701000	HOSE,VINYL	1		10X15,1M		
8	91803880070	CLIP	2		D=13.1-16.2		
9	90101206008	BOLT	2		M6X8		
11	90201200600	NUT	1		M6		
12	90302040601	WASHER,SPRING	3		6		
13	90101208020	BOLT	3		M8X20		
14	90302040801	WASHER,SPRING	3		8		
15	82100002012	CLAMP	1		WR18		
16	37000925900	JOINT	1				
17	37001600820	NUT	1		PF3/8		
18	90303071601	WASHER,PLAIN	2		16		
19	42310040050	ROPE (TETORON)	1				
20	82100001735	SLEEVE	2				
21	91810130230	FASTENER	1				
22	37002461530	HOSE	1		L=540		
23	80456240600	JOINT,SELF SEALING (WITH DUST CAP)	1				
25	37000573890	PLATE	2				
26	42472372300	JOINT	1				
27	37000924960	JOINT (WITH O-RING)	2				
28	36647690000	VALVE,SOLENOID	1				
29	90172105045	BOLT,HEXAGON SOCKET	8		M5X45		
31	36646790000	VALVE,SOLENOID	1				
32	37002449130	HOSE	1		L=500		
33	37002445200	HOSE	1		L=560		
34	37002467700	HOSE	1		L=470		
35	37002445120	HOSE	1		L=290		
36	42475711010	ORIFICE	1		1.5		219014
	42645290500	ORIFICE	1		1.6	219015	
51	42471437520	CAP	1				
61	90131508025	BOLT,HEXAGON SOCKET	4		M8X25		
62	36052411000	JOINT ASSY	1				
63	36051811000	BOOSTER	1				
71	91002801100	O-RING	2		1B P11		
81	81408000160	PIPE,STEEL	1	M	12X1.4T		
82	80303130171	FITTING,ELBOW	1		KLO12-040E		
83	80305010100	FITTING,TEE	1		KTA12-000N		
84	37000922870	JOINT	2				
85	37000908730	JOINT (WITH O-RING)	1		L,G3/8-G1/4		
92	80560057000	BALL,STEEL	1		1/4		
93	36052132020	SEAT,SPRING	1				
94	12235104020	SPRING	1				
95	80316090020	PLUG	1		KKT PT1/8		
96	80316090010	PLUG	10		KKT PT1/16		HK0542
	36053842040	PLUG	10			HK0543	
97	36052132040	ORIFICE	1		1/16		
101	91002801800	O-RING	1		1B P18		
111	91002801400	O-RING	1		1B P14		

# AT-110-1 4208410093 UPPER

Pos No.	Parts No	Parts Name	Qty	Unit	Technical Data	Serial No (Start)	Serial No
1	42478400100	SUPPORT	1				
2	90101208014	BOLT	2		M8X14		
3	90302040801	WASHER,SPRING	2		8		
4	90201200800	NUT	2		M8		
5	90813108016	BOLT,WING	1		M8X16		
6	42651490100	LAMP ASSY	1				
7	91810130240	FASTENER	2				
8	82401601002	CLAMP	2				
9	82100002004	CLAMP	1		WR8		
10	90101206010	BOLT	1		M6X1.0		
11	90302040601	WASHER,SPRING	1		6		
31	82165904020	LAMP	1		24V 60W		
32	90101212020	BOLT	1		M12X20		
33	90302041201	WASHER,SPRING	1		12		
34	37000113640	PIN	1				
40	82100000054	BULB,LAMP	1		24V 60W		
46	82100002838	SWITCH ASSY (WITH HARNESS,TERMINAL)	1				

# AT-110-1 42084100093 UPPER

Pos No.	Parts No	Parts Name	Qty	Unit	Technical Data	Serial No (Start)	Serial No (End)	Remarks	Pages
1	91810132530	FASTENER	5						
2	90201200600	NUT	1		M6				
3	90302040601	WASHER,SPRING	1		6				
4	82400000204	GROMMET	1		L=320				
5	42476303100	CABLE ASSY	1		L=1000				
6	82100002006	CLAMP	1		WR10				
27	82122910400	CAP	1						

# AT-110-1 42084100093 UPPER

Pos No.	Parts No	Parts Name	Qty	Unit	Technical Data	Serial No (Start)	Serial No (E
5	80456210600	JOINT,SELF SEALING	1				
6	80456240600	JOINT,SELF SEALING (WITH DUST CAP)	1				
11	42471437520	CAP	1				
30	42471080000	HOSE,BOOSTER (MAIL-FEMALE,3M)	1				

# AT-110-1 42084100093 UPPER

Pos No.	Parts No	Parts Name	Qty	Unit	Technical Data	Serial No (Start)	Serial No (E
5	80456210600	JOINT,SELF SEALING	1				
6	80456240600	JOINT,SELF SEALING (WITH DUST CAP)	1				
11	42471437520	CAP	1				
30	42471085000	HOSE,BOOSTER (MALE-FEMALE,5M)	1				

# AT-110-1 42084100093 UPPER

Pos No.	Parts No	Parts Name	Qty	Unit	Technical Data	Serial No (Start)	Serial No (End)
1	42471271000	DRILL ASSY	1				
2	80460003080	JOINT	2		S,G3/8-3/4-16UNF		
3	37002425110	HOSE	2		L=2500		
4	91810132530	FASTENER	4				
5	80456020610	JOINT,SELF SEALING	1				
6	42340013200	JOINT,SELF SEALING (WITH CAP)	1				
11	42340017550	CAP (DUST)	1				
16	42340017510	CAP (DUST)	1				
20	42471270000	DRIL,HYDRAULIC	1				

# AT-110-1 42084100093 UPPER

Pos No.	Parts No	Parts Name	Qty	Unit	Technical Data	Serial No (Start)	Serial No (End)	Remarks
1	42474540000	HANGER (FOR BUCKET,FRP)	1					

CLICK HERE TO **DOWNLOAD** THE COMPLETE MANUAL

- Thank you very much for reading the preview of the manual.
- You can download the complete manual from: [www.heydownloads.com](http://www.heydownloads.com) by clicking the link below



- Please note: If there is no response to CLICKING the link, please download this PDF first and then click on it.

CLICK HERE TO **DOWNLOAD** THE COMPLETE MANUAL