

AT-110-5 42084540731 UPPER,LOWER,ISUZU TPG-NKR85AN-EE5AHY

PB0000275-02 UPPER STRUCTURE SYSTEM

PB0000500-02 LOWER STRUCTURE SYSTEM

ASSEMBLY

CLICK HERE TO **DOWNLOAD** THE COMPLETE MANUAL

- Thank you very much for reading the preview of the manual.
- You can download the complete manual from: www.heydownloads.com by clicking the link below



- Please note: If there is no response to CLICKING the link, please download this PDF first and then click on it.

CLICK HERE TO **DOWNLOAD** THE COMPLETE MANUAL

AT-110-5 42084540731 UPPER,LOWER,ISUZU TPG-NKR85AN-EE5AHY

PN5011171-00 NAME PLATE ASSY (VOICE ALARM)
PN5011255-00 NAME PLATE ASSY (NON-SLIP)
PN5011267-01 NAME PLATE ASSY (JACK HORIZONTAL)
PN5011326-00 NAME PLATE ASSY (3RD BRAKE INTERLOCK)
PN5011666-00 NAME PLATE ASSY (HEIGHT,CAPACITY,AIR/MITSUBISHI)
PO1000182-00 INDICATION PLATES (UPPER)
PO1000183-00 INDICATION PLATES (LOWER)
PO1013121-01 PLATE ASSY,NAME (HYDRAULIC OIL)
PO1014484-00 PLATE ASSY,NAME (NTT-NEOMEIT)
PO1014634-01 PLATE ASSY,NAME (OIL/COLD DISTRICT)
PO1090061-00 NON-SLIP PLATE (NTT SHIKOKU)
PO5010015-01 OPE.ASSY
PO5010027-02 OPE.ASSY (LEVER,CONTROL)
PO5010029-00 OPE.ASSY
PO5050038-01 OPE.ASSY,BUCKET (WITH 2-AXIS ENABLE SW)
PO5050039-01 OPE.ASSY,BUCKET (WITH 3-AXIS ENABLE SW)
PO5050041-01 OPE.ASSY,BUCKET
PO5050042-01 OPE.ASSY,BUCKET
PO5080088-02 OPE.ASSY,CONT.VALVE
PO5270125-00 OUTRIGGER ASSY (VERTICAL JACK)
PO5270161-00 OUTRIGGER ASSY
PO5270162-00 OUTRIGGER ASSY
PO5270219-00 OUTRIGGER ASSY (VERTICAL JACK)
PO5270220-00 OUTRIGGER ASSY
PP5330009-00 POWER SUPPLY ASSY (HYBRID SYSTEM)
PP5330015-00 POWER SUPPLY ASSY (HYBRID SYSTEM,3 MODE,WITH FAN)
PP5330018-00 POWER SUPPLY ASSY (HYBRID SYSTEM,3 MODE,WITH FAN)
PP5330024-00 POWER SUPPLY ASSY (HYBRID SYSTEM,3 MODE,WITH FAN)
PP5340009-01 POWER SUPPLY ASSY,ELECTRICITY (LOWER,2POLES OUTLET)
PP5340013-00 POWER SUPPLY ASSY,ELECTRICITY (HYBRID/2-POLES OUTLET)
PP5340019-00 POWER SUPPLY ASSY,ELECTRICITY (BUCKET/100V 3POLES)
PP5340024-00 POWER SUPPLY ASSY,ELECTRICITY (LOWER,3POLES OUTLET)
PP5340025-00 POWER SUPPLY ASSY,ELECTRICITY (HYBRID/3-POLES OUTLET)
PP5340028-00 POWER SUPPLY ASSY,ELECTRICITY
PP5340029-01 POWER SUPPLY ASSY,ELECTRICITY (LOWER/INVERTER)
PP5340030-01 POWER SUPPLY ASSY,ELECTRICITY (LOWER/POWER TAKEOUT)
PP5340034-00 POWER SUPPLY ASSY,ELECTRICITY (LOWER,3POLES OUTLET)
PP5340036-00 POWER SUPPLY ASSY,ELECTRICITY (LOWER,3POLES OUTLET)
PP5420012-02 PUMP ASSY,OIL
PP5450004-00 PUMP,GREASE (400CC)
PP6010236-01 PIPING ASSY
PP6010255-01 PIPING ASSY
PP6060007-01 PIPING ASSY,BOOM
PP6130021-00 PIPING ASSY,FRAME
PP6130040-00 PIPING ASSY,FRAME
PP6210016-03 PIPING ASSY,MOUNTING
PP6330005-03 PIPING ASSY,SWING FRAME
PR5090141-01 RELAY ASSY
PR5090142-00 RELAY ASSY
PR5100062-00 RELAY BOX ASSY
PR5210001-00 RELAY (WITH HARNESS)
PR5210002-00 RELAY
PR5210003-00 RELAY
PS5360014-00 STEP ASSY
PS5420229-00 SUPPORT ASSY (2-DECK TOOL BOX: FIXED LADDER REST)
PS5420230-00 SUPPORT ASSY (1-DECK TOOL BOX: FIXED LADDER REST)
PS5420231-00 SUPPORT ASSY (1&2-DECK TOOL BOX: LOWER SHELF,ONE SIDE)
PS5420232-00 SUPPORT ASSY (HOOK FOR CARRIER ROPE)
PS5420266-00 SUPPORT ASSY (1-DECKER:ROTARY RADDER REST)
PS5420267-00 SUPPORT ASSY (2-DECKER:ROTARY RADDER REST)
PS5420300-00 SUPPORT ASSY
PS5420353-00 SUPPORT ASSY
PS5420363-00 SUPPORT ASSY
PS5420387-00 SUPPORT ASSY

AT-110-5 42084540731 UPPER,LOWER,ISUZU TPG-NKR85AN-EE5AHY

Pos No.	Parts No	Parts Name	Qty	Unit	Technical Data	Serial No (Start)	Serial No (End)	Remarks
1	36654115010	MOTOR ASSY	1					
3	36652625020	CAP (TERMINAL)	1					
5	36654115030	BOLT,HEXAGON SOCKET	2		M8X40			
6	36654205020	WASHER	2					
7	36654205030	NUT	2					
8	36652025040	O-RING	1		S55			
9	36652625030	VALVE,CHECK	1					
10	36652625040	PUMP ASSY	1					
12	44550417800	WASHER,SPRING (M8)	2					
20	36654115040	CABLE ASSY	1					
27	36652665060	O-RING	1		P8			
29	36652665050	O-RING	1		P14			
33	19215105160	SEAL,OIL	1					
34	36652665020	RING,RETAINING	1					
41	36654115020	CONTACTOR	1					
100	36654110000	PUMP,HYDRAULIC	1					

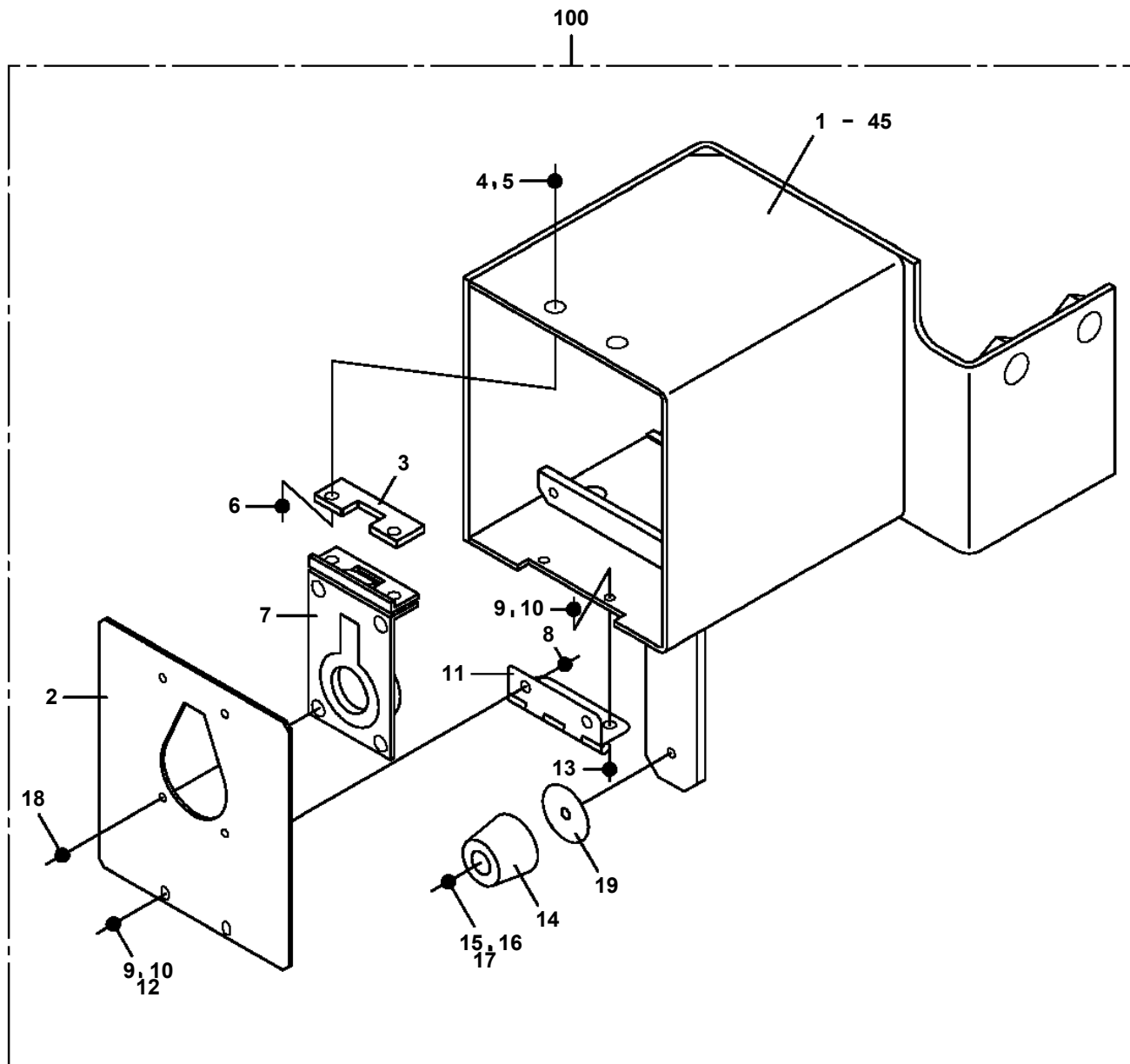
AT-110-5 42084540731 UPPER,LOWER,ISUZU TPG-NKR85AN-EE5AHY

Pos No.	Parts No	Parts Name	Qty	Unit	Technical Data	Serial No (Start)	Serial No (End)	Remarks	P
1	82119434100	CONNECTOR	1						
2	42356280010	HARNESS	1						
3	91810130240	FASTENER	5						
4	42477640080	PLATE,NAME	1						
5	42350250070	PLUG (2 POLES,MALE)	1						
6	80175304016	SCREW,MACHINE	2		M4X16				

AT-110-5 42084540731 UPPER,LOWER,ISUZU TPG-NKR85AN-EE5AHY

Pos No.	Parts No	Parts Name	Qty	Unit	Technical Data	Serial No (Start)	Serial No (End)
1	42203049510	BOOM,BASE	1				
2	42203062000	BOOM,2ND	1				
3	42203061000	BOOM,TOP	1				
5	42200484100	PLATE	N		T=0.8		
6	42200810020	PIN	1				
7	42202400010	SUPPORT	1				
8	42202400060	ROLLER	2				
9	42202400070	PLATE	2				
11	42202400090	PLATE	N		T=0.5		
13	42202400130	PLATE	N		T=0.5		
14	42202400140	PLATE	12		T=0.8		
15	42202400160	PLATE	N		T=0.8		
17	42202980200	SHEAVE ASSY	1				
18	31630302000	PLATE	N		T=1.5		
19	31631222000	CAP	4				
20	37000118960	PIN	2				
21	37000136510	PIN	4				
22	37000136530	PIN	2				
23	37000155030	PIN	2				
24	37000181820	PIN	1				
25	37000187050	PIN	1				
26	37000187080	PIN	2				
27	37000401810	BEARING,PLAIN	2				
28	37000558530	PLATE	1		T=9		
29	37000573190	PLATE	N		T=1.0		
31	37000584990	PLATE	N		T=0.8		
32	37001924240	ROPE,WIRE (J-WITEX)	2		8X6.21M		
	37001924210	ROPE,WIRE (TESAC)	2		8X6.21M		
33	37001924220	ROPE,WIRE (TESAC)	2		7X3.36M		
	37001924270	ROPE,WIRE (J-WITEX) 7X3.36M>	2				
34	37002016220	PLATE,SLIDE	2		T=12		HK1784
	37002018500	PLATE,SLIDE	2			HK1785	
35	37002018260	PLATE,SLIDE	2				
36	37002018460	PLATE,SLIDE	2		T=12		
38	37002018510	PLATE,SLIDE	4				
39	37002018540	PLATE,SLIDE	4				HK1784
	37002005260	PLATE,SLIDE	4			HK1785	
40	37002018970	PLATE,SLIDE	4		T=10		
41	37002018980	PLATE,SLIDE	2		T=12		
42	37002018530	PLATE,SLIDE	2		T=25		
43	37010101720	PIN	1				
44	80136363056	PIN,SPLIT	1		6.3X56		
45	80184306012	SCREW,MACHINE	6		M6X12		
46	80601110200	RING,RITAINING	6		S20		
47	80602110300	RING,RITAINING	7		R30		
48	80801003025	BEARING,PLAIN	1				
49	82455106000	NIPPLE,GREASE	4		A-M6F FE		
51	90171108020	BOLT	12		M8X20		
52	90171110022	BOLT	4		M10X22		
53	90171110025	BOLT	12		M10X25		
54	90171208030	BOLT	8		M8X30		
55	90172110020	BOLT,HEXAGON SOCKET	2		M10X20		
56	90202481200	NUT	8		M12		
57	90238403008	NUT,CASTLE	1		M30X2		
59	90302040801	WASHER,SPRING	20		8		
60	90302041001	WASHER,SPRING	14		10		
61	90303071001	WASHER,PLAIN	12		10		
62	90303073001	WASHER,PLAIN	1		30		
63	90171110020	BOLT	4		M10X20		
64	37002018480	PLATE,SLIDE	2				
65	37000584970	PLATE	N		T=0.8		
66	90101206016	BOLT	4		M6X16		HK2522
	90172106016	BOLT,HEXAGON SOCKET	4		M6X16	HK2523	

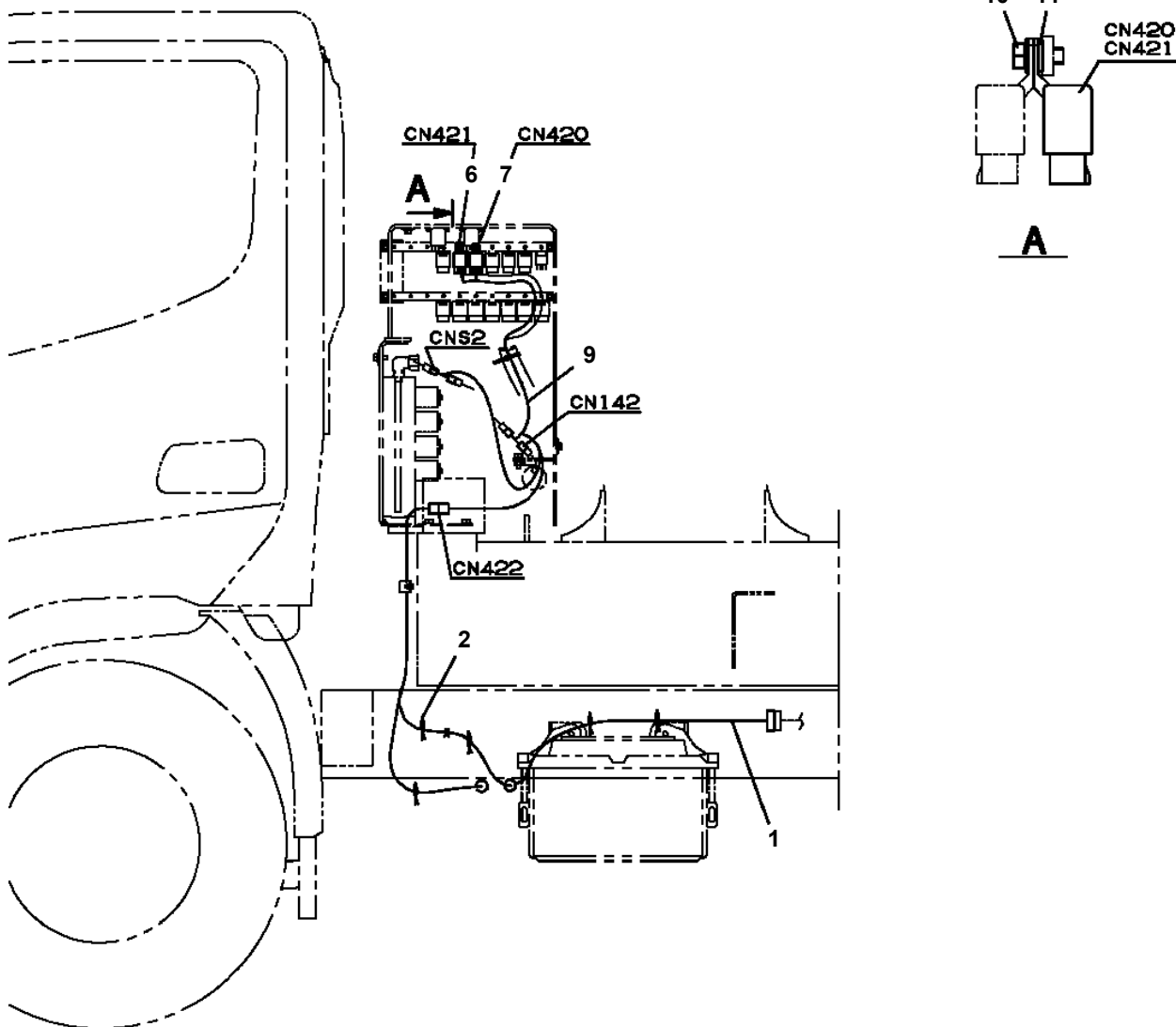
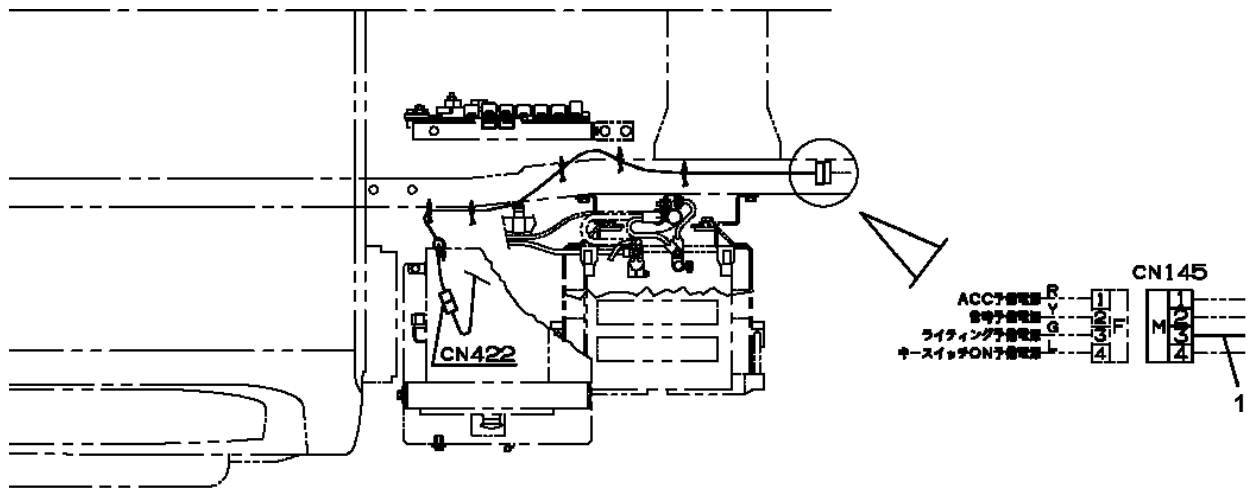
AT-110-5 42084540731 UPPER,LOWER,ISUZU TPG-NKR85AN-EE5AHY
PB5260063-01 BOX ASSY



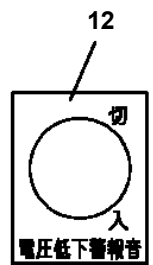
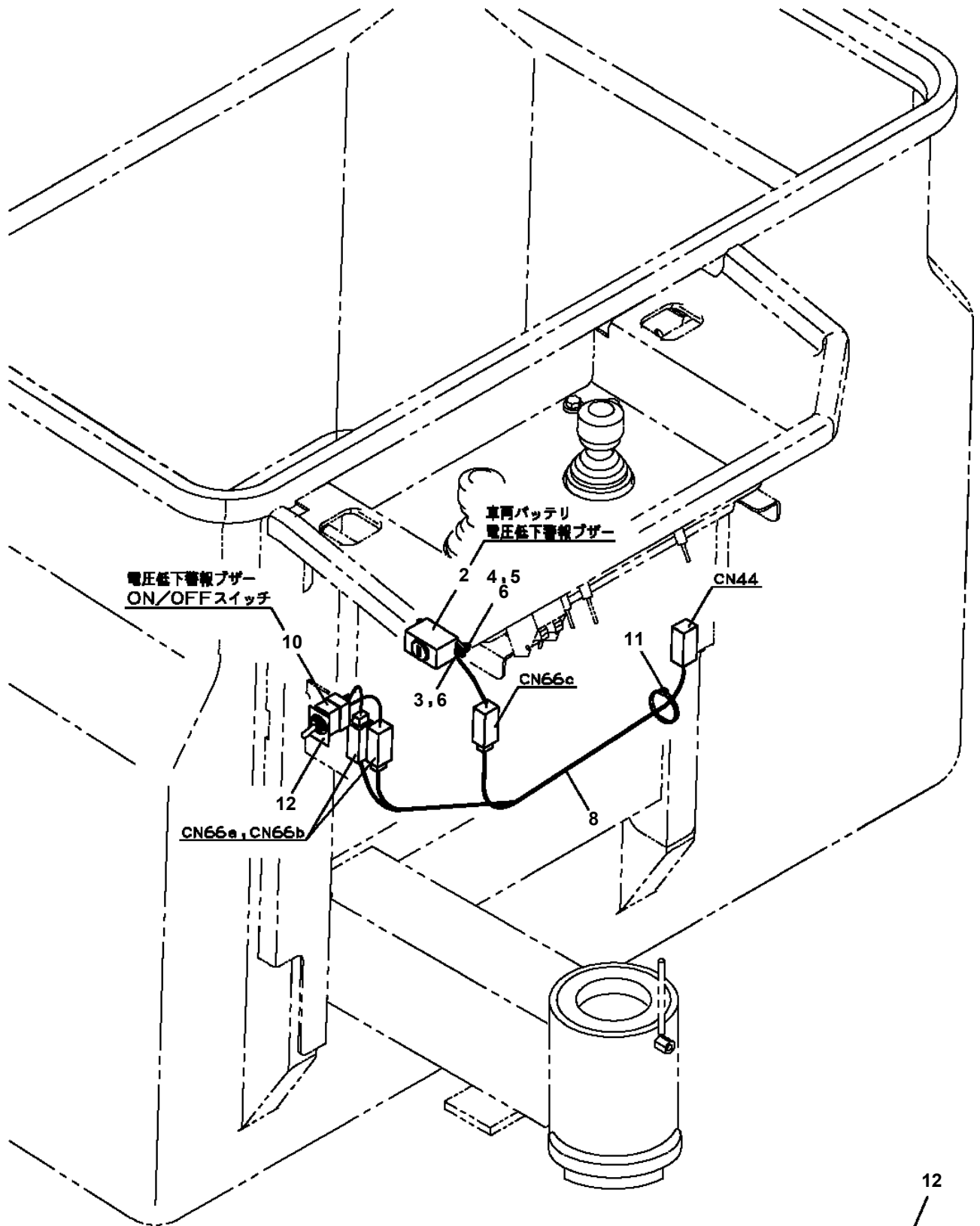
AT-110-5 42084540731 UPPER,LOWER,ISUZU TPG-NKR85AN-EE5AHY
PB5350008-00 BUCKET ASSY (WHITE/STRAIGHT)

指示番号 KEY NO.	バケツASSY (シロ/ストレート) BUCKET ASSY (WHITE/STRAIGHT)
1	バケツ BUCKET
2	マット MAT
3	ネームプレートASSY NAME PLATE ASSY
4	カバーASSY COVER ASSY

**AT-110-5 42084540731 UPPER,LOWER,ISUZU TPG-NKR85AN-EE5AHY
PB5390002-00 BUZZER ASSY (JACK CONTROL ALARM)**



AT-110-5 42084540731 UPPER,LOWER,ISUZU TPG-NKR85AN-EE5AHY
PB5390011-00 BUZZER ASSY



AT-110-5 42084540731 UPPER,LOWER,ISUZU TPG-NKR85AN-EE5AHY

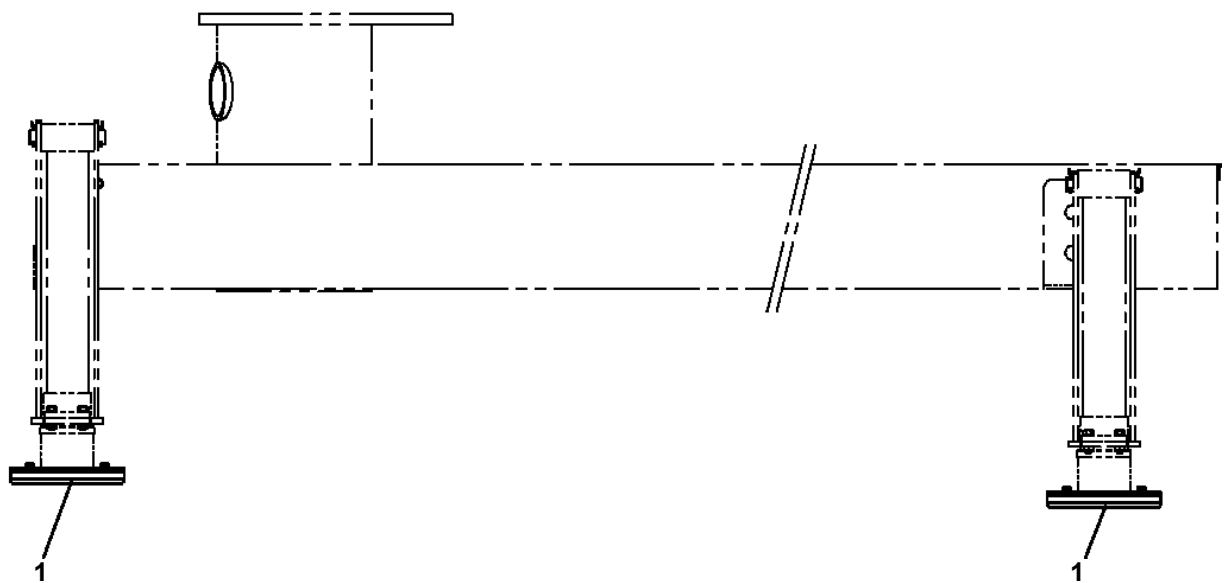
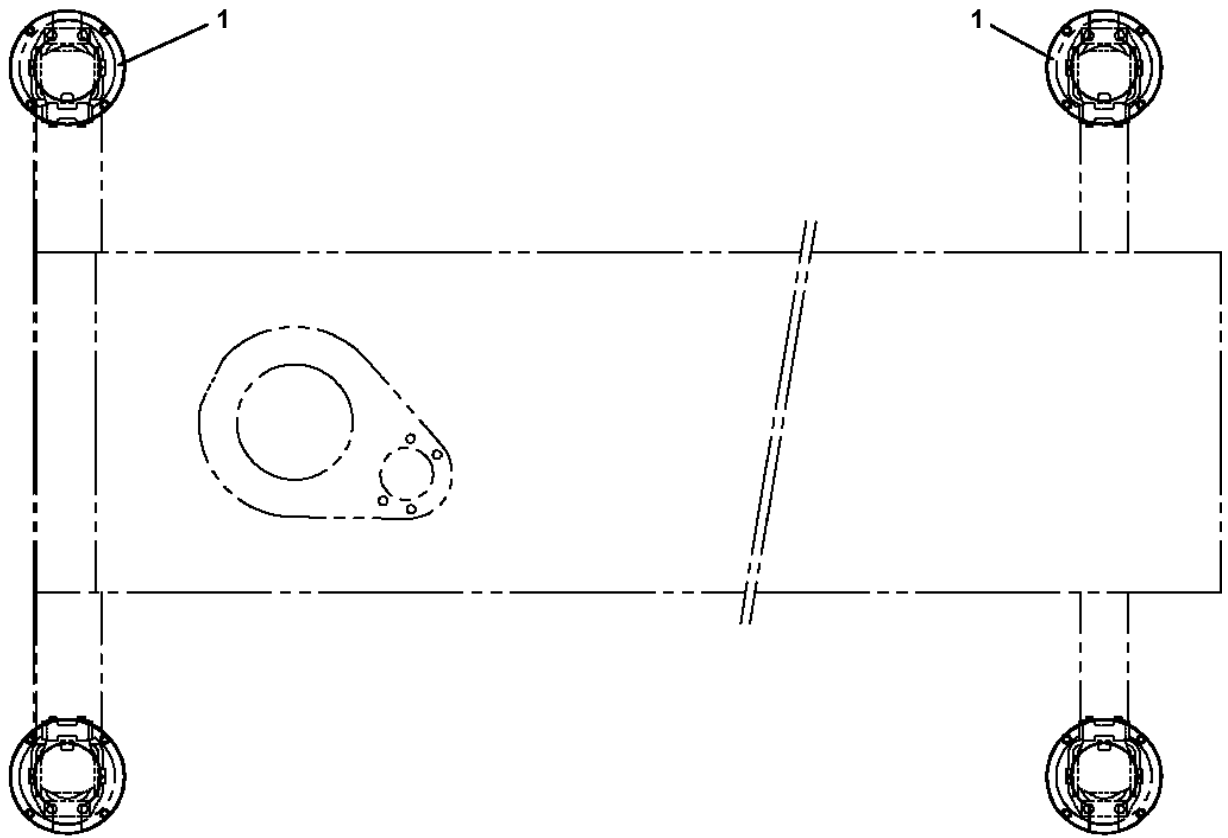
Pos No.	Parts No	Parts Name	Qty	Unit	Technical Data	Serial No (Start)	Serial No (End)	Remarks
1	42509761101	BOX,TOOL	1					
3	42509761500	PLATE	2		T=2			
4	90101208022	BOLT	16		M8X22			
5	90302040801	WASHER,SPRING	16		8			
6	90303070801	WASHER,PLAIN	16		8			
7	90201200800	NUT	16		M8			
8	37000560040	PLATE	5		T=1			
9	37002012550	PLATE,SLIDE	2					
10	90303100801	WASHER,PLAIN	4		8			
11	90172108025	BOLT,HEXAGON SOCKET	4		M8X25			
12	80172805016	SCREW,MACHINE	4		M5X16			
13	90302510501	WASHER,SPRING	4		5			
14	90201500500	NUT	4		M5			
15	82460117503	HANDLE	1					
16	82467300104	PLUG	4					
41	42509761400	PIN	4					
42	42509761450	SUPPORT	4					
43	42506651110	ROLLER	4					
44	90303071601	WASHER,PLAIN	8		16			
100	42509761001	BOX,TOOL	1					

AT-110-5 42084540731 UPPER,LOWER,ISUZU TPG-NKR85AN-EE5AHY

Pos No.	Parts No	Parts Name	Qty	Unit	Technical Data	Serial No (Start)	Serial No (End)	Rem
2	42839507610	DOOR ASSY (SLIDE)	1					
	42839507610	DOOR ASSY (SLIDE)	1					
3	42839127560	LOCK ASSY	1					
	42839127560	LOCK ASSY	1					
4	42839507520	SHELF	1					
	42839507520	SHELF	1					
5	42839507530	STOPPER (DOOR)	2					
	42839507530	STOPPER (DOOR)	2					
6	42839507540	GUARD	1					
	42839507540	GUARD	1					
7	42835257620	PLATE	4					
	42835257620	PLATE	4					
8	42839117630	SUPPORT	4					
	42839117630	SUPPORT	4					
9	42835467570	RAIL	1					
	42835467570	RAIL	1					
10	42839737510	MAT	1					
	42839737510	MAT	1					
11	42835767580	STOPPER	1					
	42835767580	STOPPER	1					
12	42835797550	SEAL	1					
	42835797550	SEAL	1					
13	42833077610	BUSH	8					
	42833077610	BUSH	8					
14	42836317940	SEAL (TAPE)	3	M				
	42836317940	SEAL (TAPE)	3	M				
15	42837157510	MOHAIR	1	M				
	42837157510	MOHAIR	1	M				
16	42837377830	COVER (HARNESS)	3	M				
	42837377830	COVER (HARNESS)	3	M				
17	42835867840	GROMMET	1					
	42835867840	GROMMET	1					
18	42839507560	BOLT (SUS WITH W,SW)	2		M10X16			
	42839507560	BOLT (SUS WITH W,SW)	2		M10X16			
19	99164804010	BOLT (M4X10,WITH WASHER)	3					
	99164804010	BOLT (M4X10,WITH WASHER)	3					
20	42500577560	SCREW,MACHINE (SEMS)	5		M4X8			
	42500577560	SCREW,MACHINE (SEMS)	5		M4X8			
21	42835467840	SCREW,MACHINE (WITH W,SW)	2		M5X22			
	42835467840	SCREW,MACHINE (WITH W,SW)	2		M5X22			
22	42834707555	SCREW,MACHINE (WITH W,SW)	2		M6X14			
	42834707555	SCREW,MACHINE (WITH W,SW)	2		M6X14			
23	42835257660	SCREW,MACHINE	8		M4X18			
	42835257660	SCREW,MACHINE	8		M4X18			
24	42835257680	SCREW,MACHINE (WITH SW,N)	6		M5X10			
	42835257680	SCREW,MACHINE (WITH SW,N)	6		M5X10			
25	82401800080	PLUG (FOR M8)	4					
	82401800080	PLUG (FOR M8)	4					
100	42839731300	BOX,TOOL	1					
	42839731300	BOX,TOOL	1					

AT-110-5 42084540731 UPPER,LOWER,ISUZU TPG-NKR85AN-EE5AHY
PC1070001-00 FLOAT (JACK PAD:VERTICALLY TYPE F/J)

FRONT ←

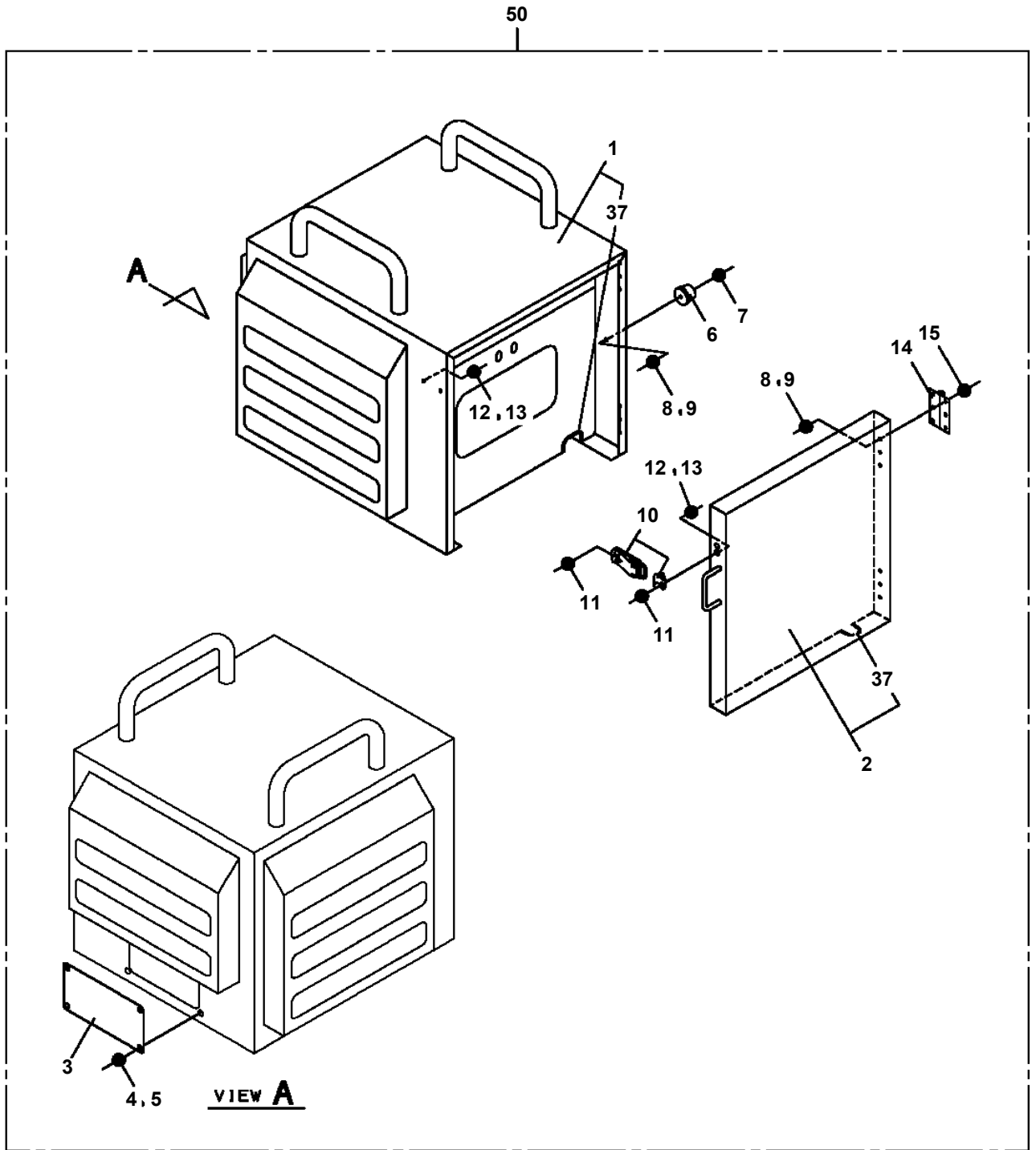


**AT-110-5 42084540731 UPPER,LOWER,ISUZU TPG-NKR85AN-EE5AHY
PC5390006-01 CONTROL ASSY,OUTRIGGER (HORIZONTAL+GRADIENT WARNING)**

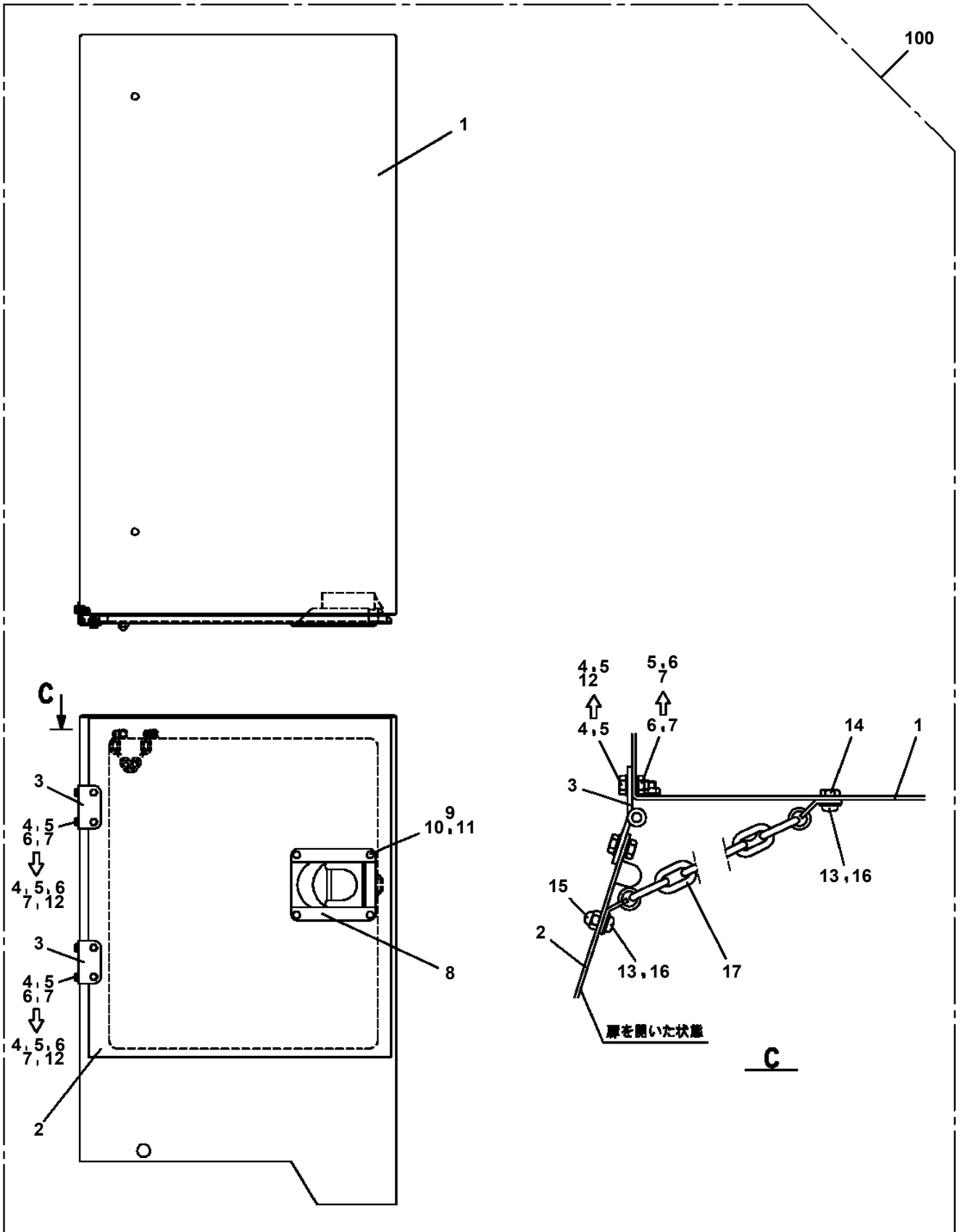
コントロールASSY,アウトリガ (ジ ャ ッ キ シ ト ウ ス イ ヘ イ + ケ イ シ ヤ チ ケ イ ホ ウ)
CONTROL ASSY,OUTRIGGER (HORIZONTAL+GRADIENT WARNING)

指示番号 KEY NO.	部品名称 PART NAME	備考 REMARK
1	ハイセンASSY ELEC.ASSY	
4	ハイカンASSY PIPING ASSY	ジャッキ絞り追加
7	ネームプレートASSY NAME PLATE ASSY	銘板

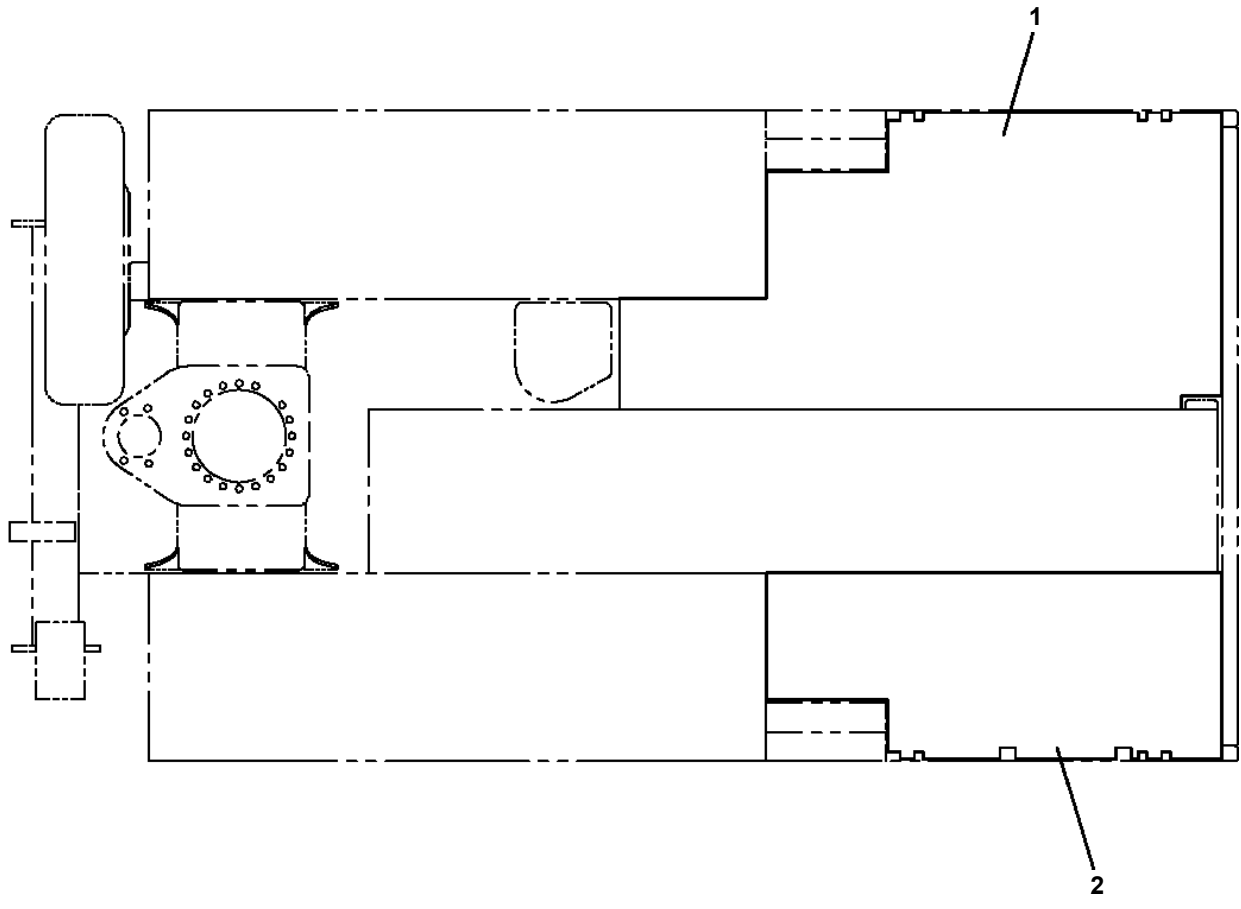
AT-110-5 42084540731 UPPER,LOWER,ISUZU TPG-NKR85AN-EE5AHY
PC5570045-00 COVER ASSY



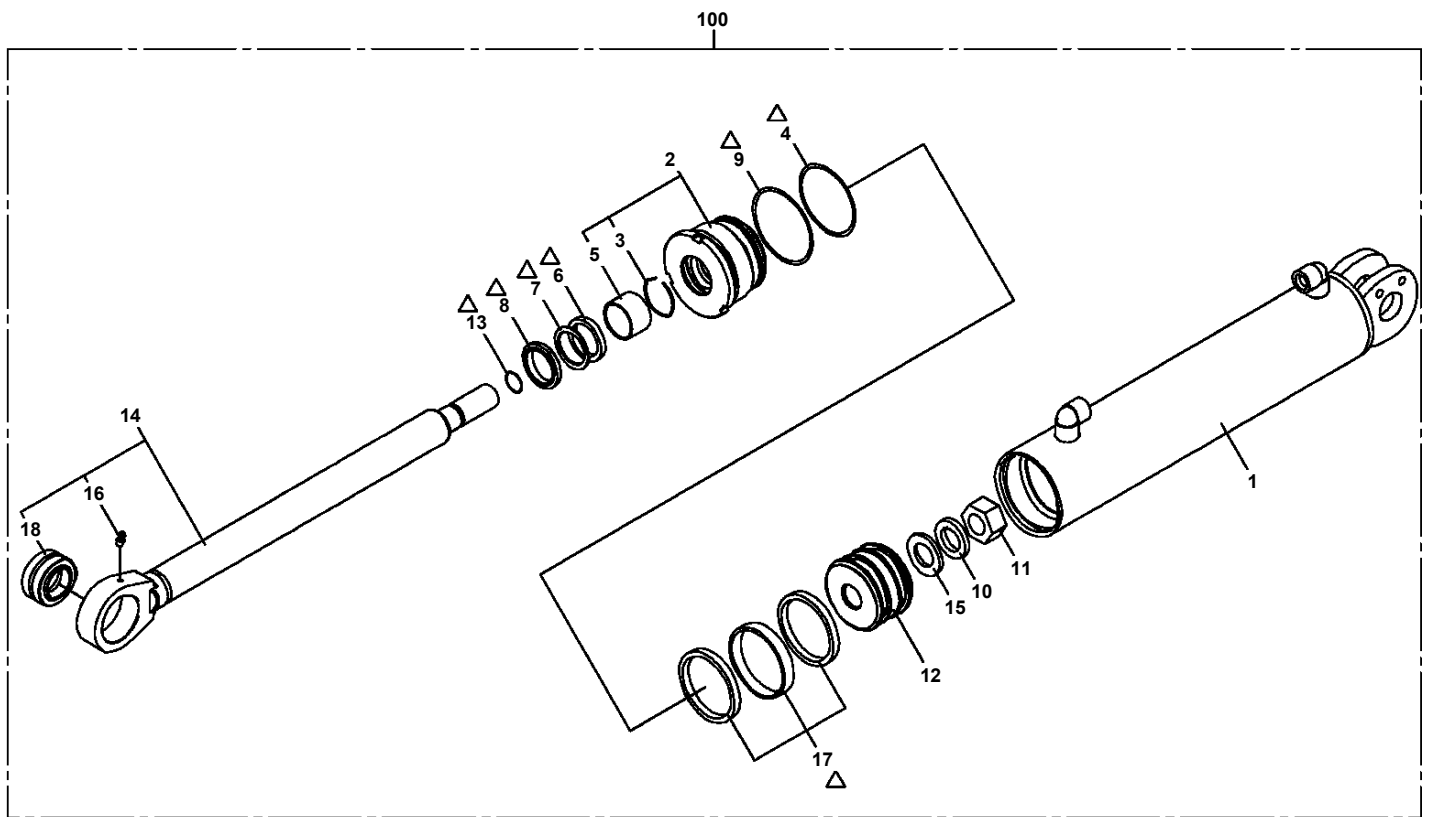
AT-110-5 42084540731 UPPER,LOWER,ISUZU TPG-NKR85AN-EE5AHY
PC5570093-01 COVER ASSY



AT-110-5 42084540731 UPPER,LOWER,ISUZU TPG-NKR85AN-EE5AHY
PC5570192-00 COVER ASSY (VEHICLE BED MAT,LOWER SPEC:42063533000)

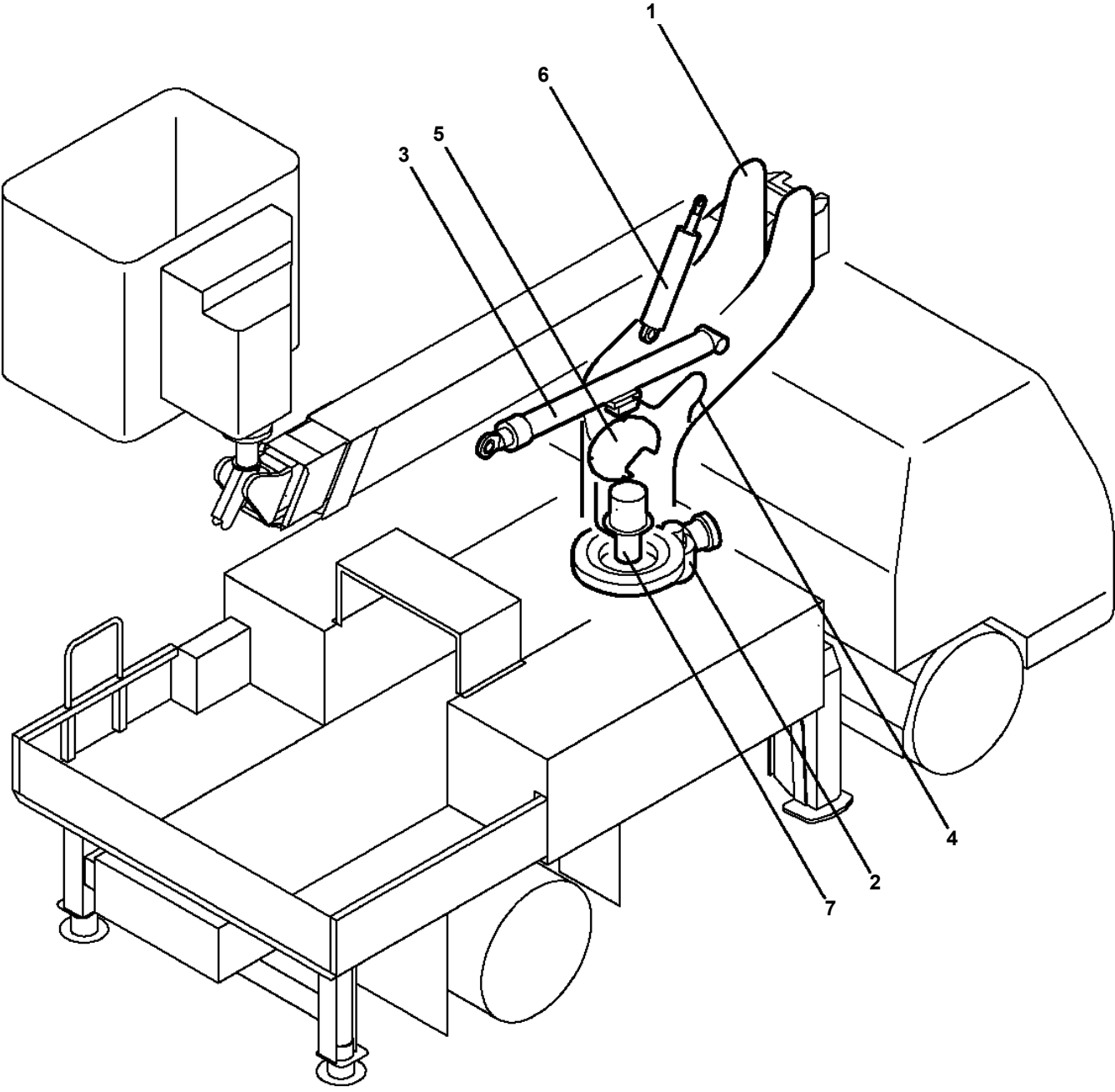


**AT-110-5 42084540731 UPPER,LOWER,ISUZU TPG-NKR85AN-EE5AHY
PC640001-00 CYLINDER ASSY,LEVELING (LOWER)**

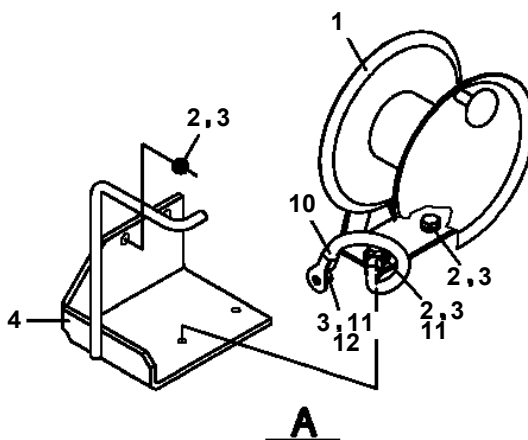
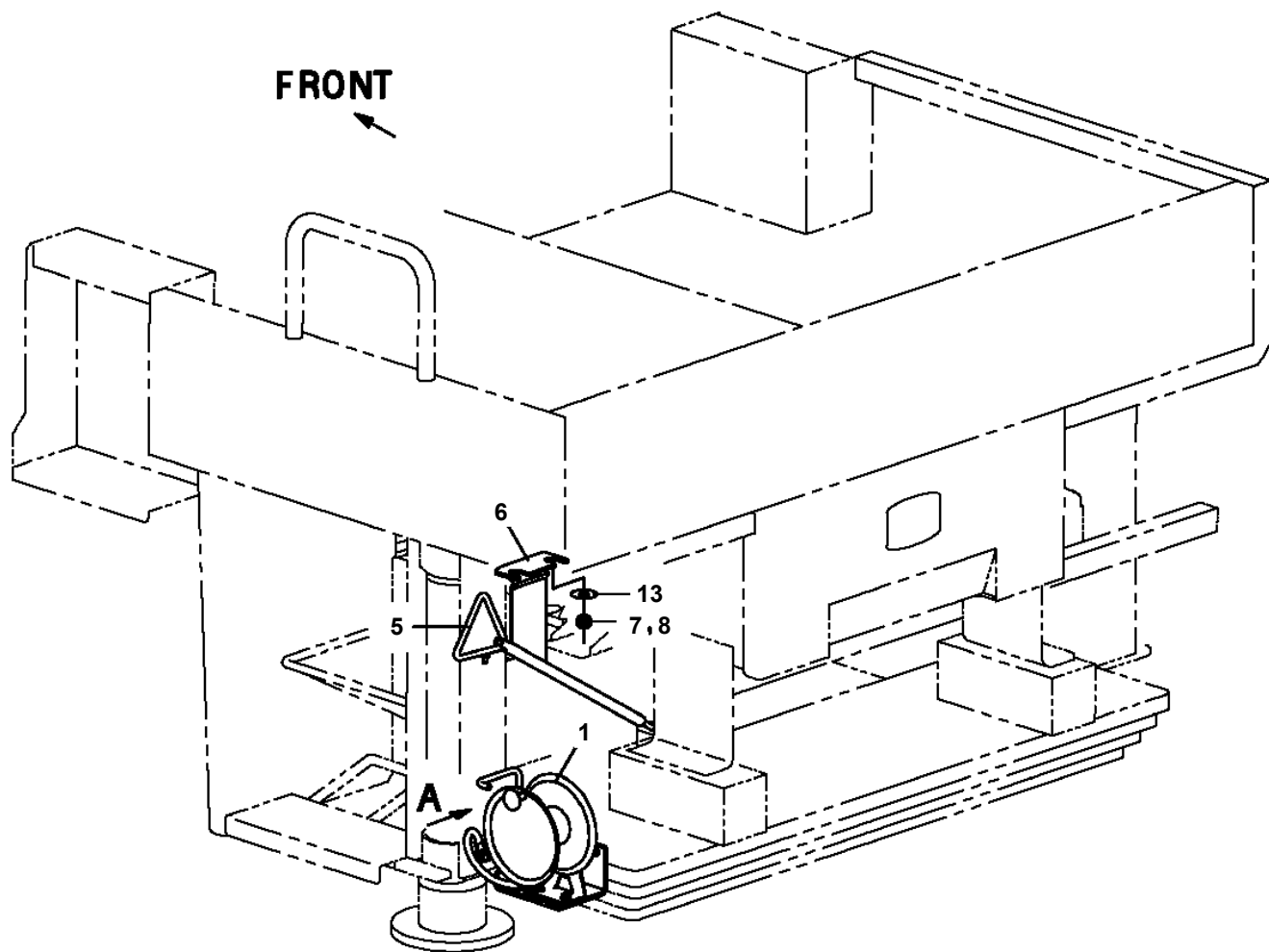


△:PACKING SET KEY NO.50 (KEY NO.4,6,7,8,9,13,17)

**AT-110-5 42084540731 UPPER,LOWER,ISUZU TPG-NKR85AN-EE5AHY
PD2000250-00 SWING UNIT**

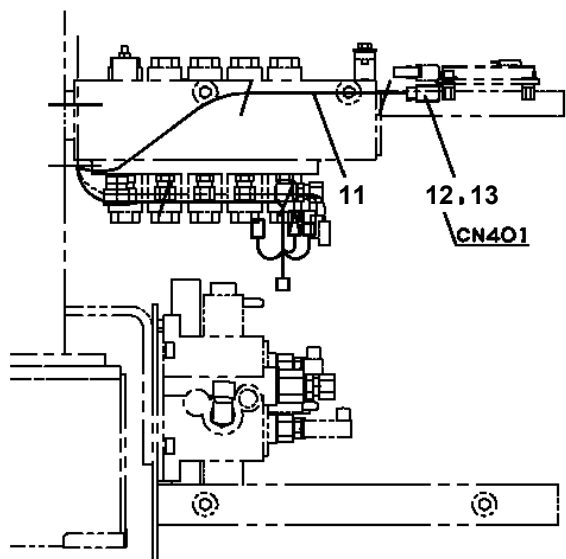
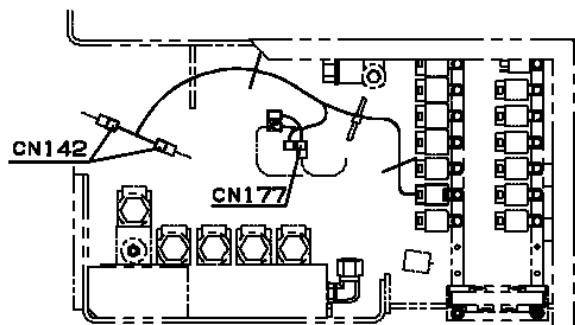
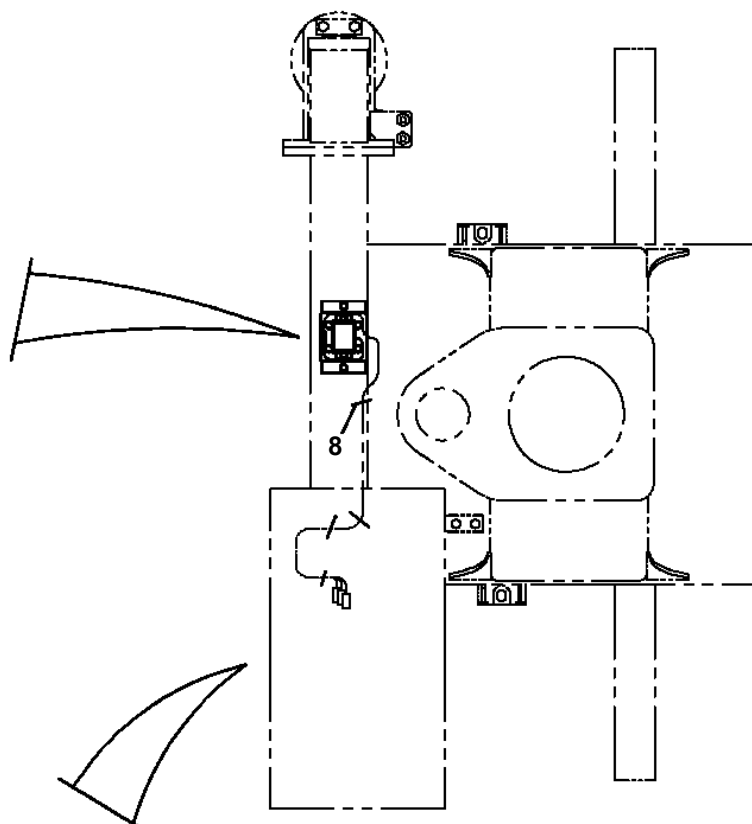
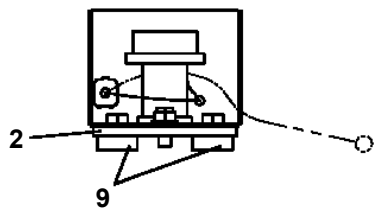
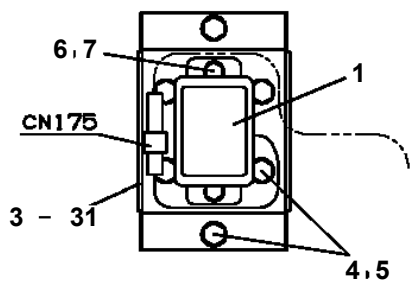


AT-110-5 42084540731 UPPER,LOWER,ISUZU TPG-NKR85AN-EE5AHY
PE5010041-00 EARTH ASSY



**AT-110-5 42084540731 UPPER,LOWER,ISUZU TPG-NKR85AN-EE5AHY
PE5020470-00 ELEC.ASSY (GRADIENT WARNING)**

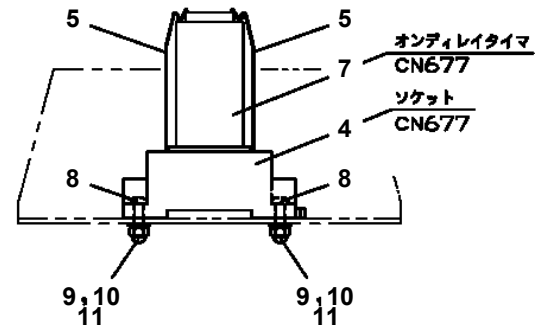
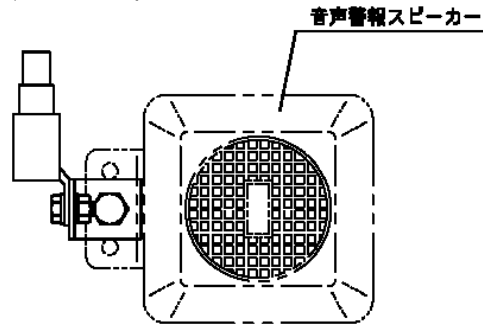
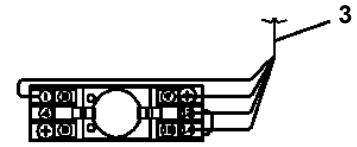
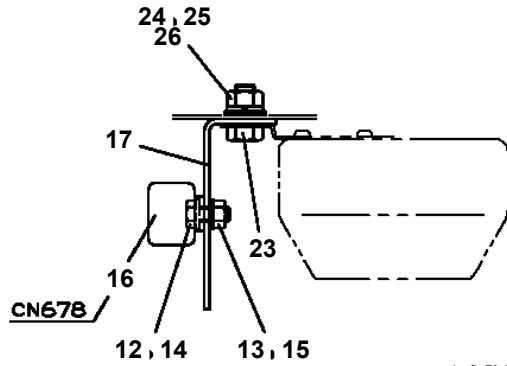
FRONT ←



AT-110-5 42084540731 UPPER,LOWER,ISUZU TPG-NKR85AN-EE5AHY

Pos No.	Parts No	Parts Name	Qty	Unit	Technical Data	Serial No (Start)	Serial No (End)
1	42653673200	LAMP ASSY (GREEN,WITH HARNESS)	1				
2	91810130240	FASTENER	2				
3	42510571200	HARNESS	1				

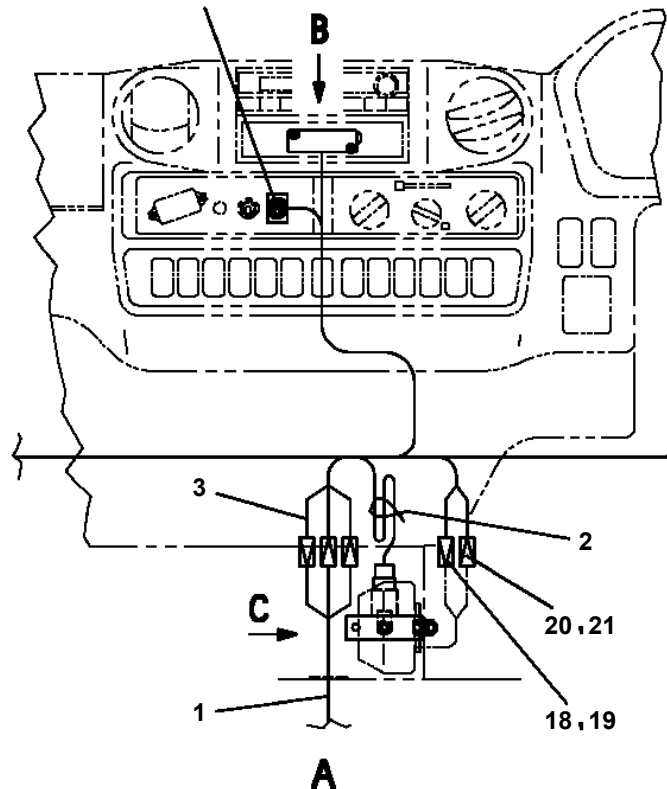
AT-110-5 42084540731 UPPER,LOWER,ISUZU TPG-NKR85AN-EE5AHY
 PE5020632-00 ELEC.ASSY (CARRIER)



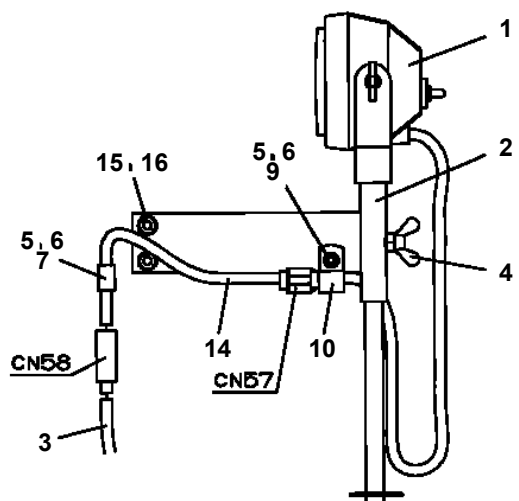
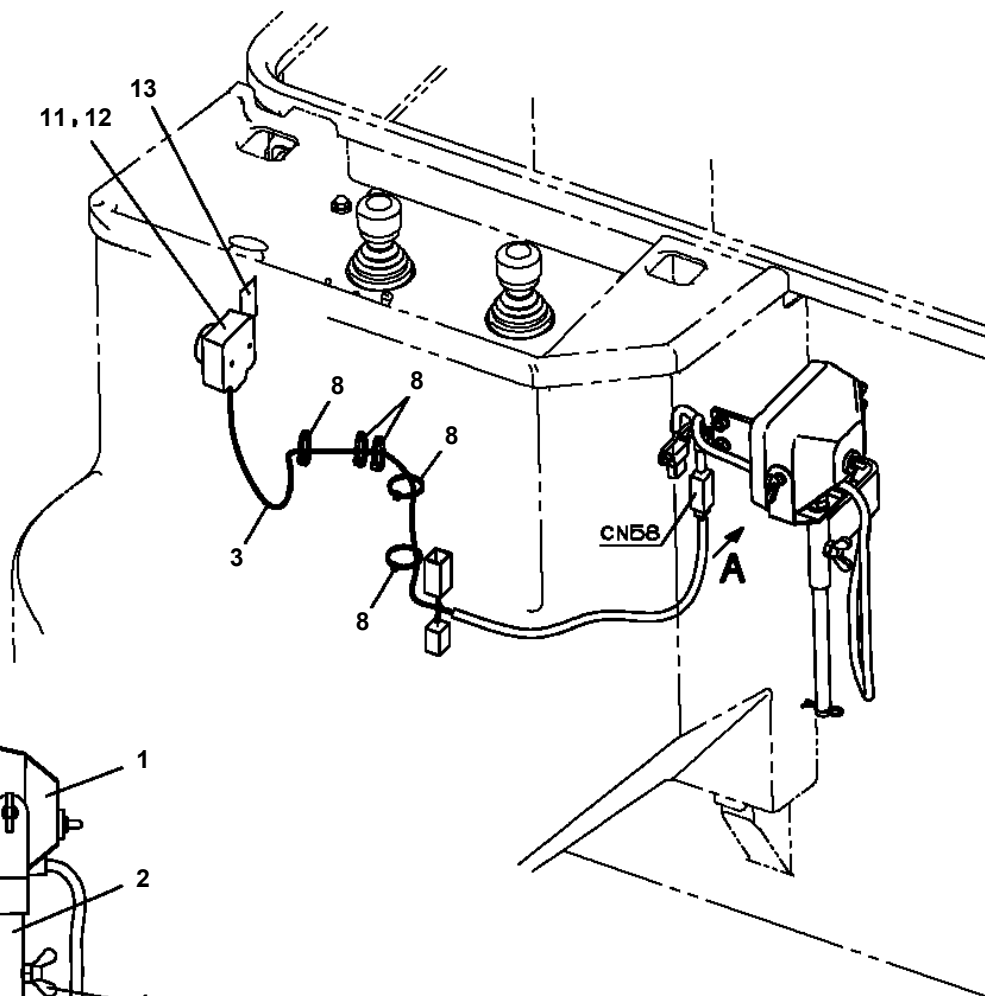
C

B

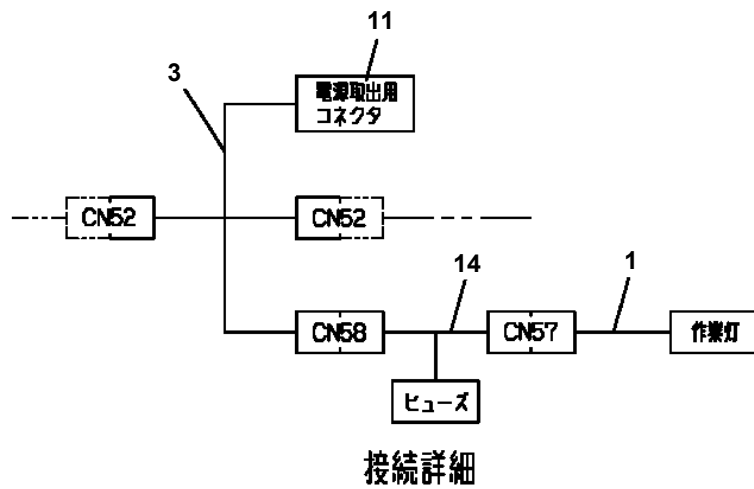
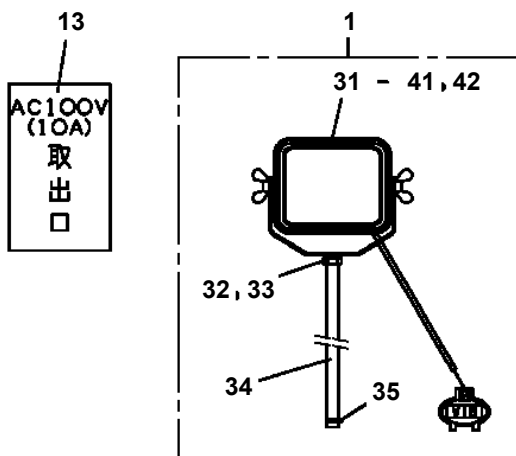
音声警報解除SW
 CN676



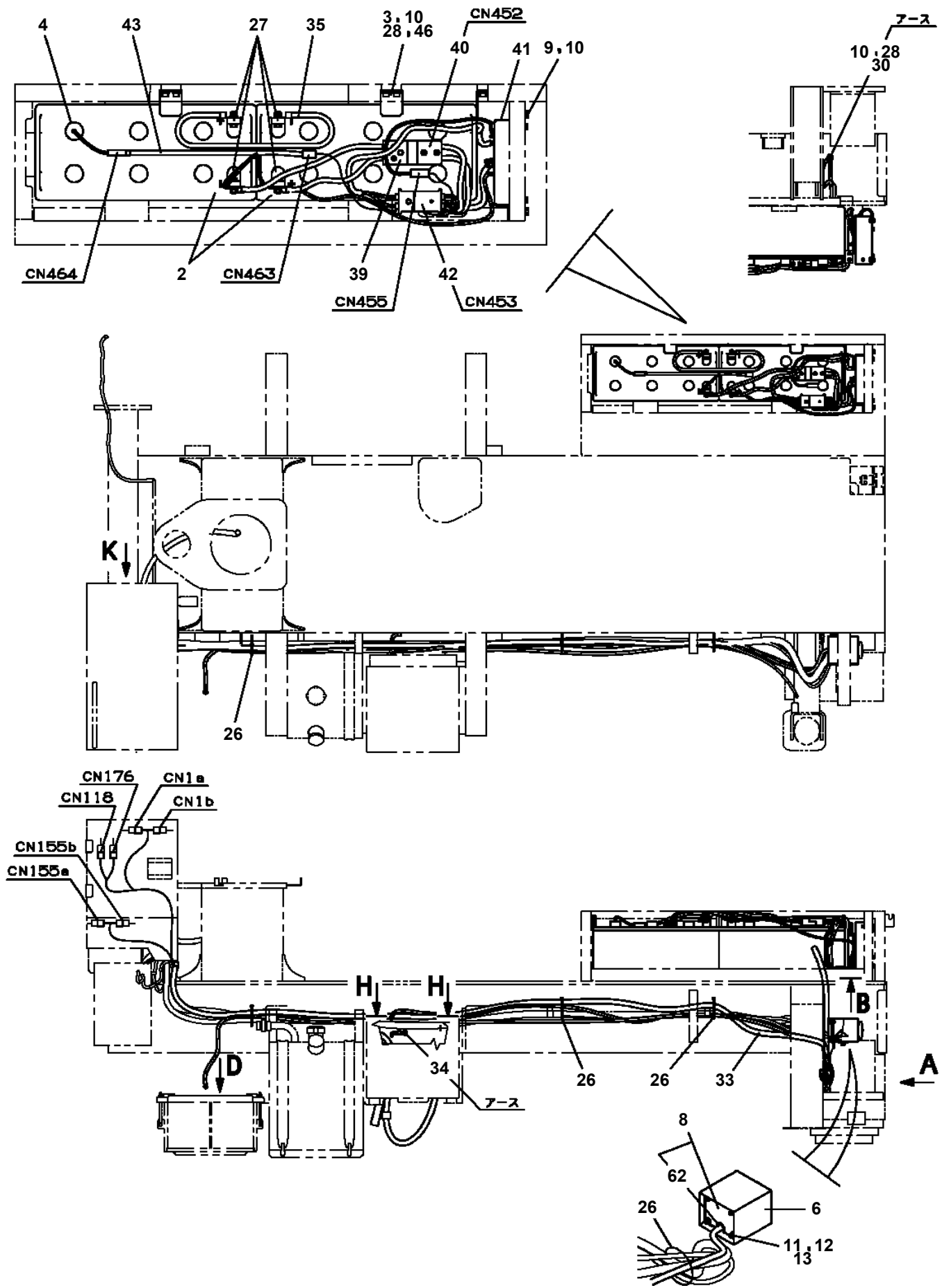
AT-110-5 42084540731 UPPER,LOWER,ISUZU TPG-NKR85AN-EE5AHY
 PE5020701-00 ELEC.ASSY (BUCKET/100V 3POLES OUTLET+WORK LAMP,55W)



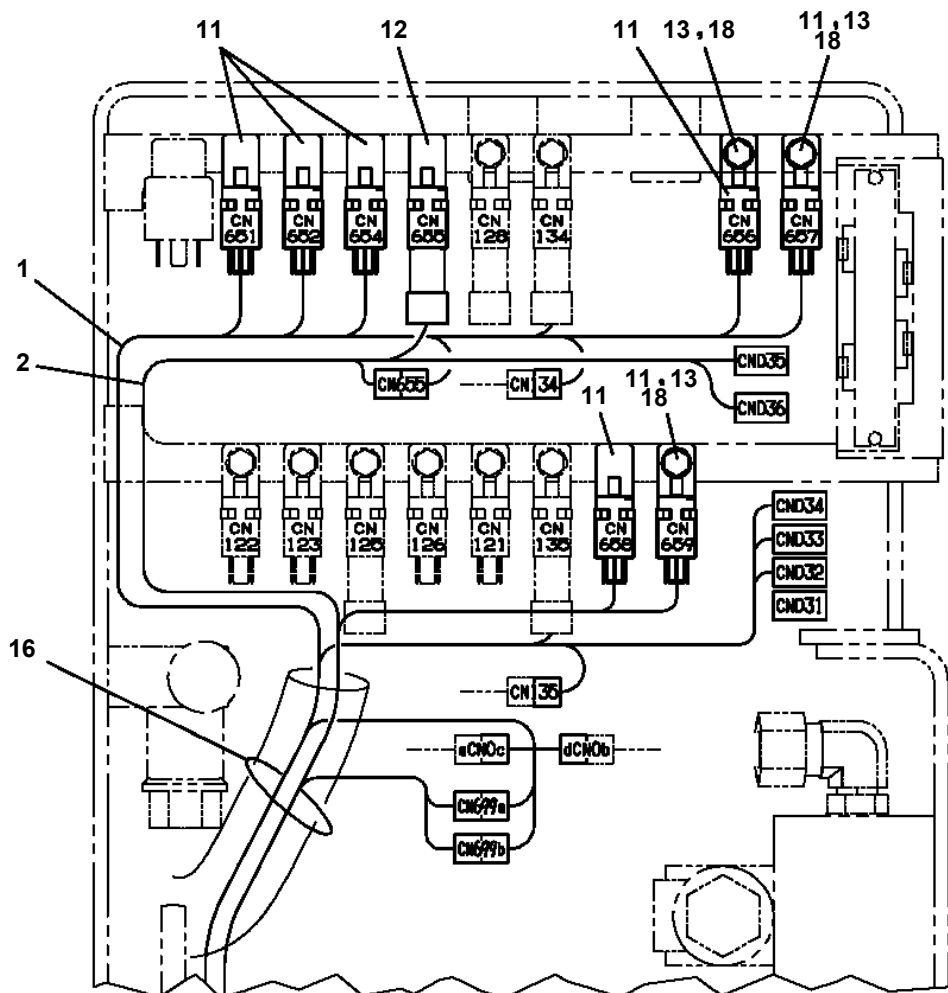
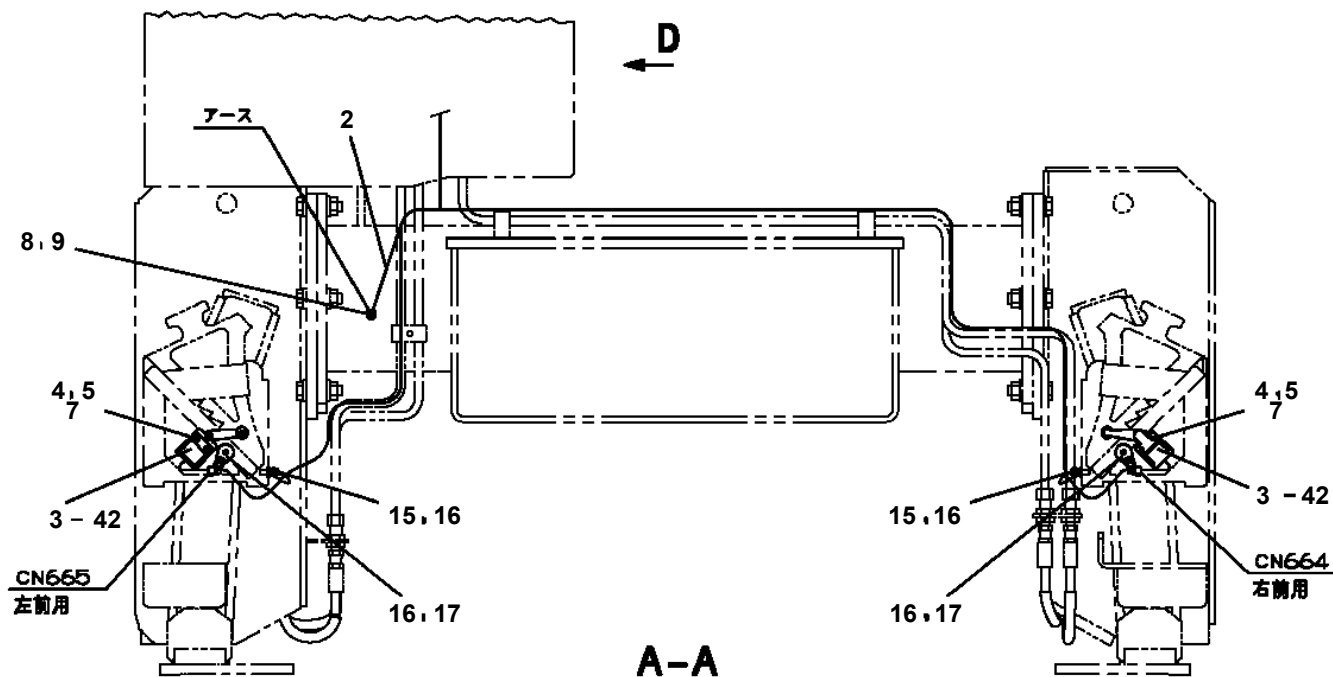
A



**AT-110-5 42084540731 UPPER,LOWER,ISUZU TPG-NKR85AN-EE5AHY
PE5020730-00 ELEC.ASSY**



AT-110-5 42084540731 UPPER,LOWER,ISUZU TPG-NKR85AN-EE5AHY
PE5020763-00 ELEC.ASSY (FRAME)

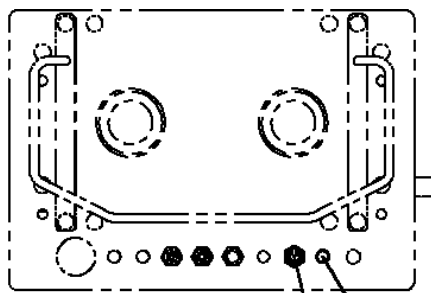


D
リレー取付詳細

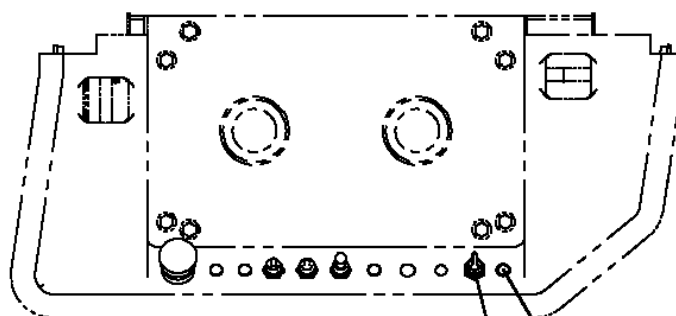
AT-110-5 42084540731 UPPER,LOWER,ISUZU TPG-NKR85AN-EE5AHY

Pos No.	Parts No	Parts Name	Qty	Unit	Technical Data	Serial No (Start)	Serial No (End)	Re
1	42973362101	HARNESS (OUTSIDE CAB)	1					
2	91810132530	FASTENER	30					
3	42973362201	HARNESS (INSIDE CAB)	1					
4	82100002645	SOCKET	1					
5	82199603010	SUPPORT	2					
6	42736070100	SWITCH ASSY (WITH HARNESS)	1					
7	82193101050	TIMER	1					
8	80172304014	SCREW,MACHINE	2		M4X14			
9	90240200400	NUT,CAP	2		M4			
10	90303070401	WASHER,PLAIN	2		4			
11	90302040401	WASHER,SPRING	2		4			
12	90101206014	BOLT	5		M6X14		HK1326	
	90101206014	BOLT	4		M6X14	HK1327		
13	90302040601	WASHER,SPRING	5		6			
14	90303070601	WASHER,PLAIN	2		6			
15	90201200600	NUT	3		M6			
16	34354781710	RELAY (WITH BRACKET)	2					
17	32652360030	PLATE	1					
18	82100000191	TERMINAL	1					
19	82100000183	INSULATOR	1					
20	82100000192	TERMINAL	1					
21	82100000182	INSULATOR	1					
22	82115001002	CONNECTOR	4					
23	42973110200	HARNESS	1					
24	42973492100	SUPPORT	1					

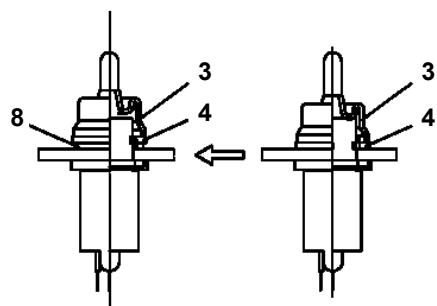
AT-110-5 42084540731 UPPER,LOWER,ISUZU TPG-NKR85AN-EE5AHY
 PE5060031-01 ELEC.ASSY,BUCKET



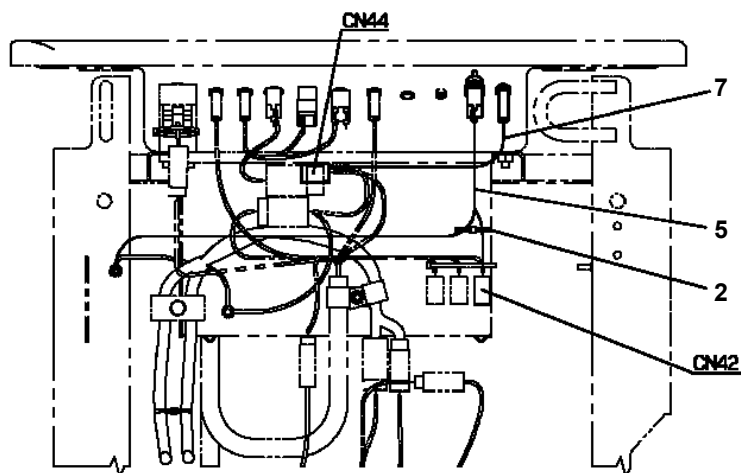
鉄パネルの場合 CN42



FRPパネルの場合 CN42



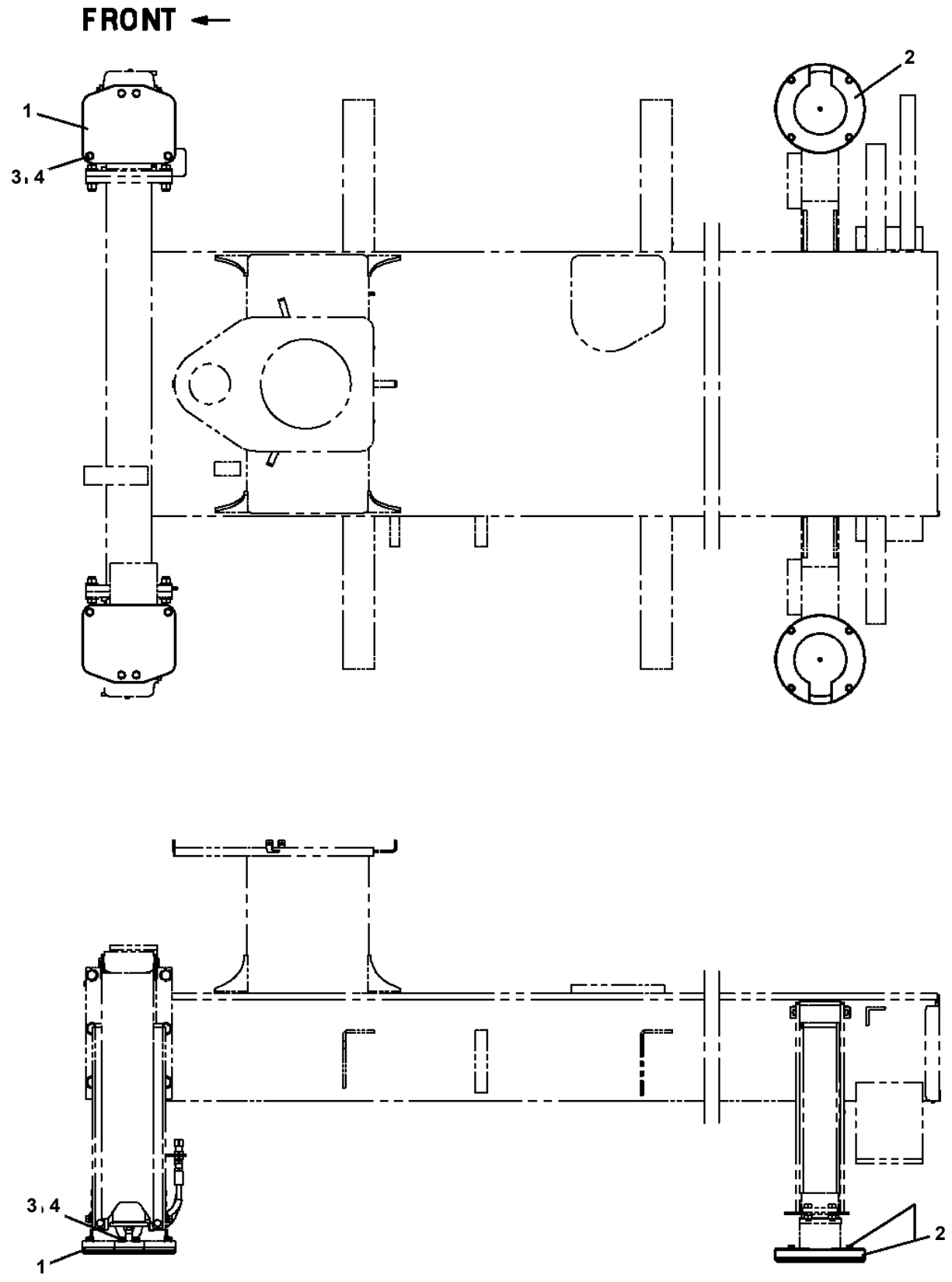
トグルSW



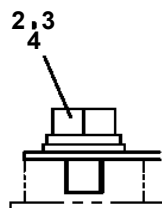
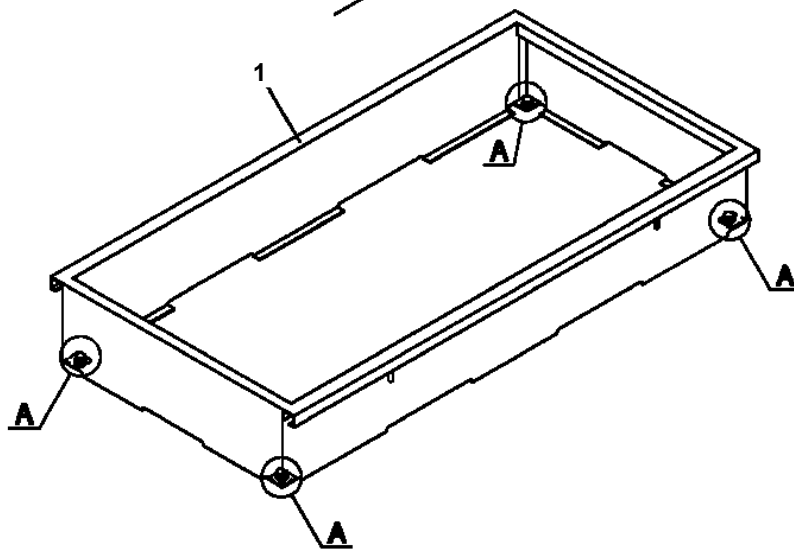
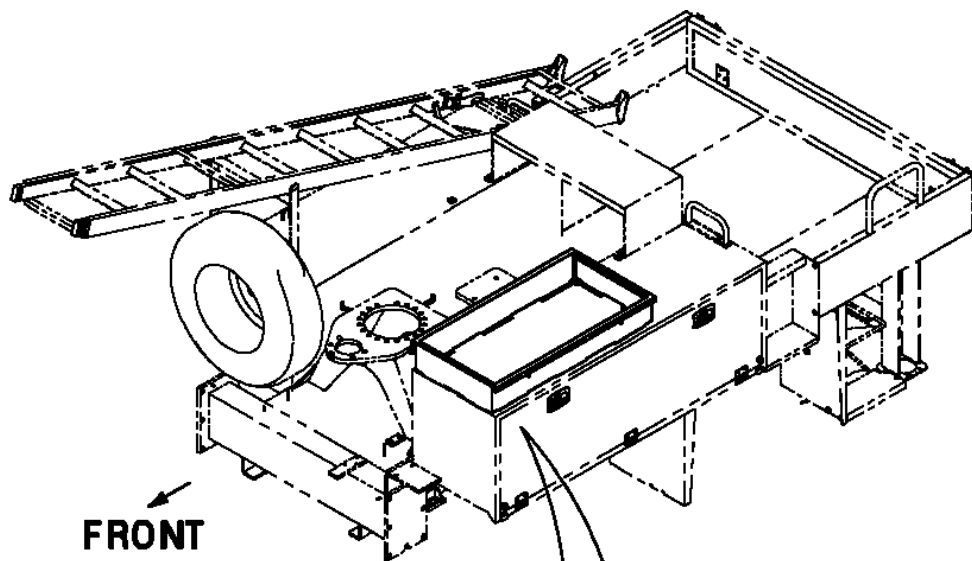
AT-110-5 42084540731 UPPER,LOWER,ISUZU TPG-NKR85AN-EE5AHY

Pos No.	Parts No	Parts Name	Qty	Unit	Technical Data	Serial No (Start)	Serial No (End)	Remarks	Pages
1	42937060100	HARNESS	1						000174
2	91810132530	FASTENER	10						
3	90302040601	WASHER,SPRING	1		6				
4	82100002012	CLAMP	1		WR18				
5	90201200600	NUT	1		M6				
6	82100000975	CLIP	1						

AT-110-5 42084540731 UPPER,LOWER,ISUZU TPG-NKR85AN-EE5AHY
PF5050003-00 FLOAT ASSY (JACK PAD:GUIDE TYPE F/J)

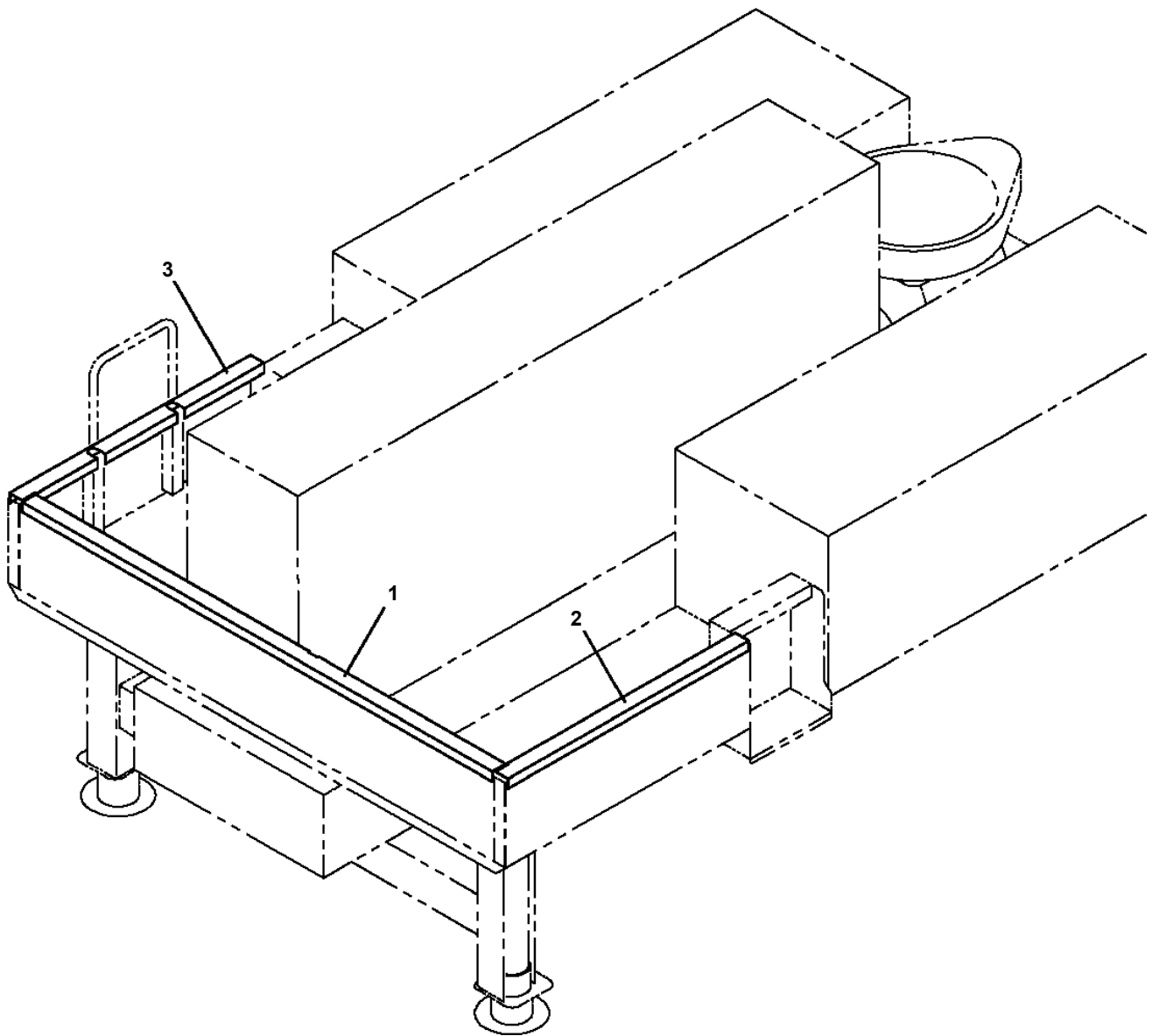


AT-110-5 42084540731 UPPER,LOWER,ISUZU TPG-NKR85AN-EE5AHY
PG5200020-00 GUARD ASSY (UPPER STORAGE ON LEFT TOOL BOX)

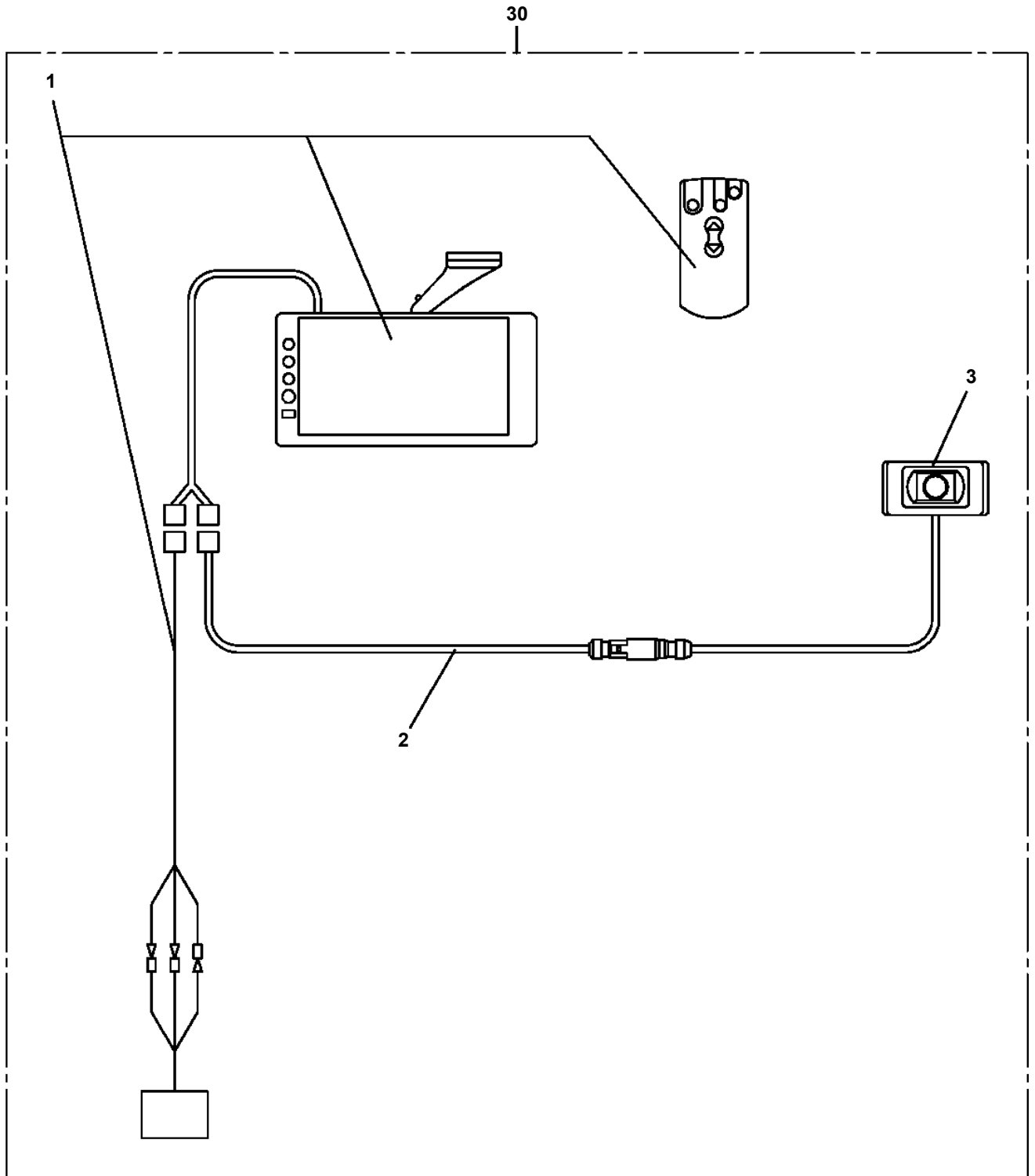


A
(4ヶ所)

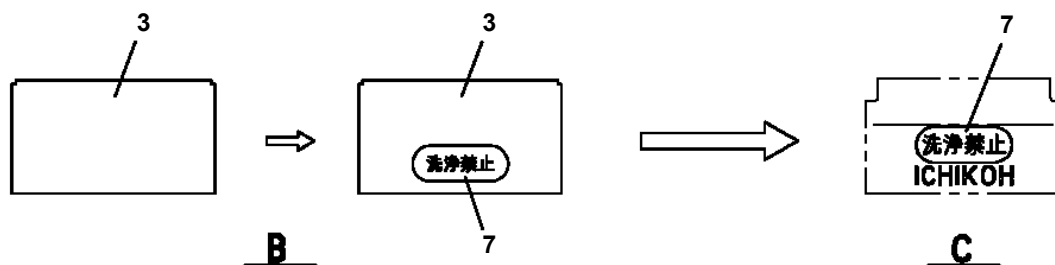
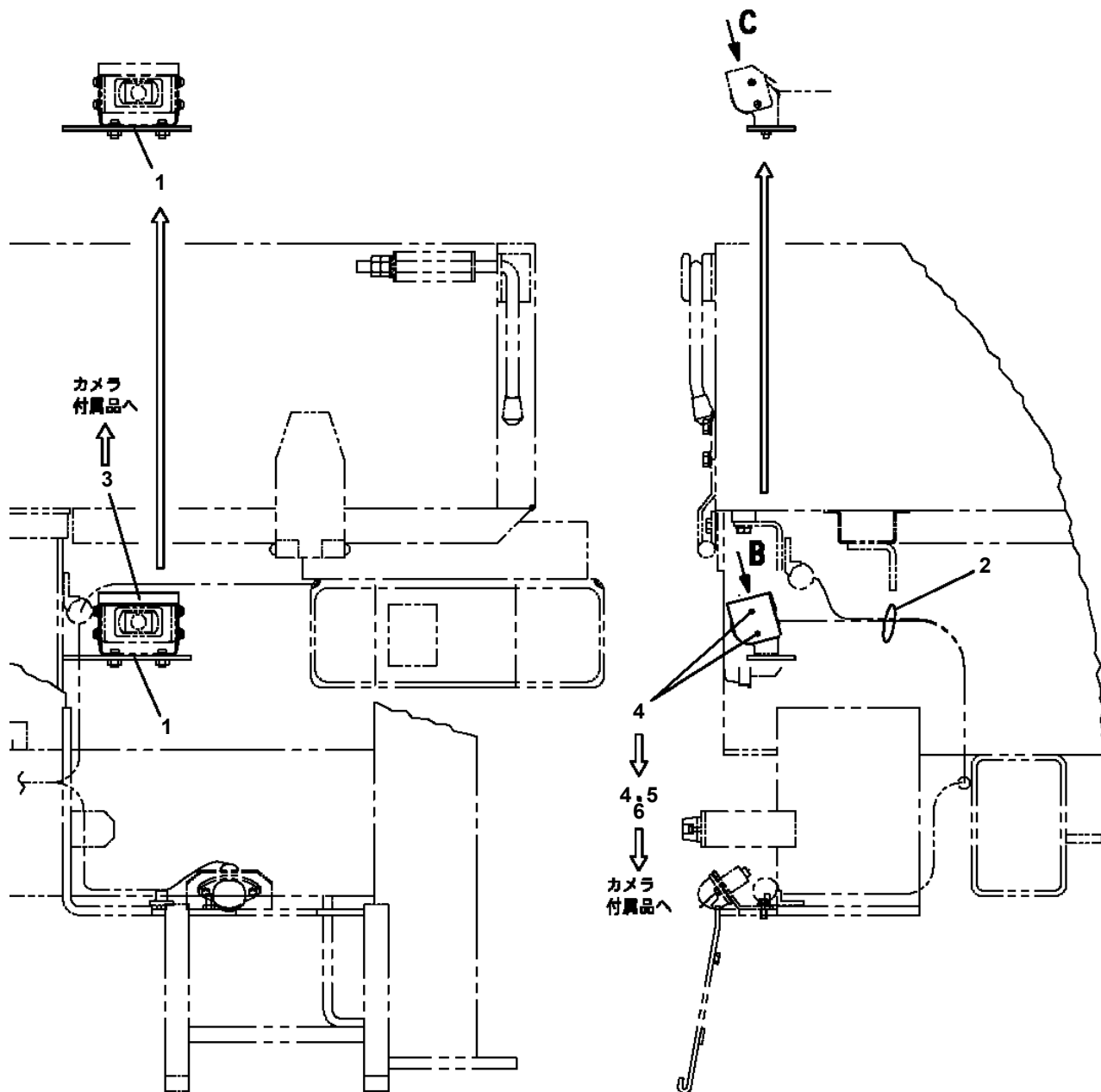
**AT-110-5 42084540731 UPPER,LOWER,ISUZU TPG-NKR85AN-EE5AHY
PG5200050-00 GUARD ASSY (GATE PROTECTOR,LOWER SPEC:42063533000)**



AT-110-5 42084540731 UPPER,LOWER,ISUZU TPG-NKR85AN-EE5AHY
PH1700272-01 VIEW SYSTEM

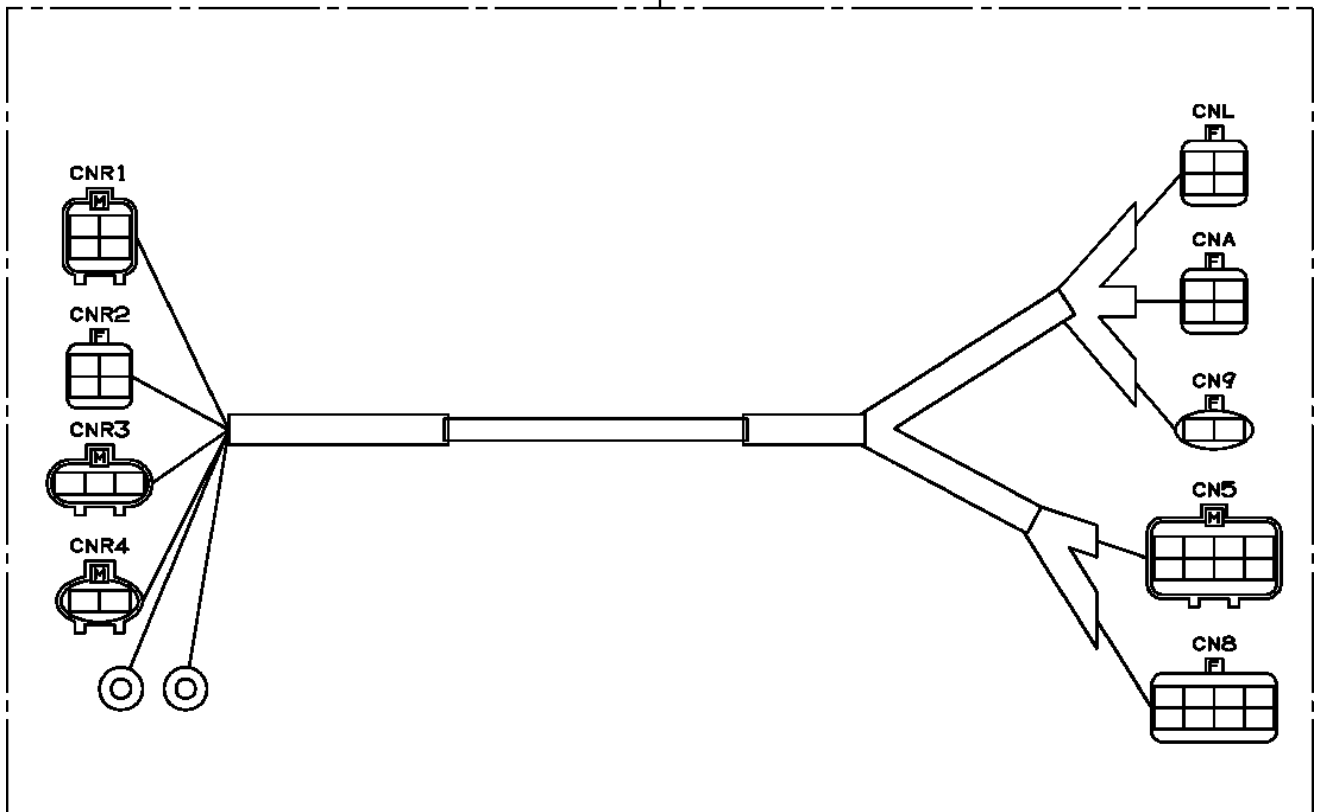


AT-110-5 42084540731 UPPER,LOWER,ISUZU TPG-NKR85AN-EE5AHY
 PH1700305-03 VIEW SYSTEM (CAMERA)



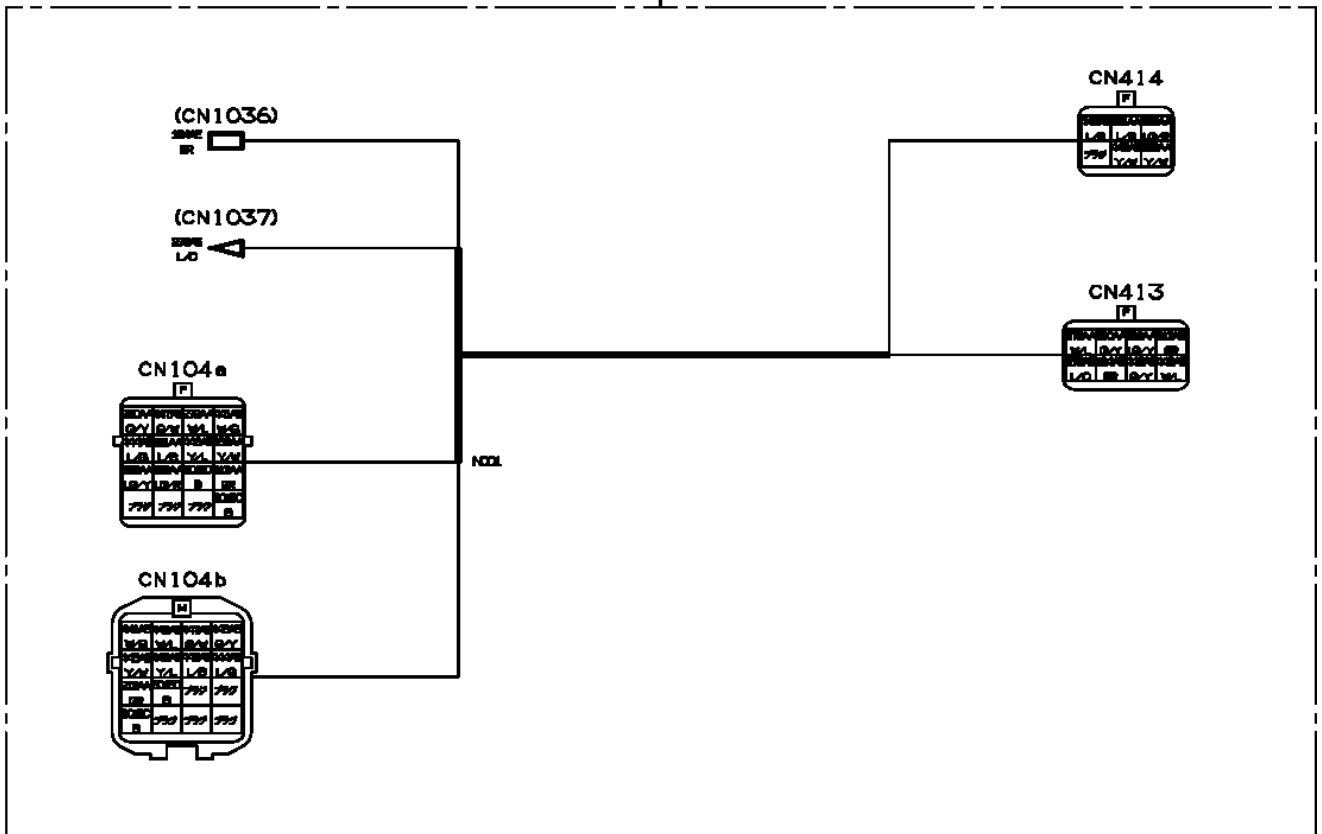
AT-110-5 42084540731 UPPER,LOWER,ISUZU TPG-NKR85AN-EE5AHY
PH5030430-00 HARNESS

100

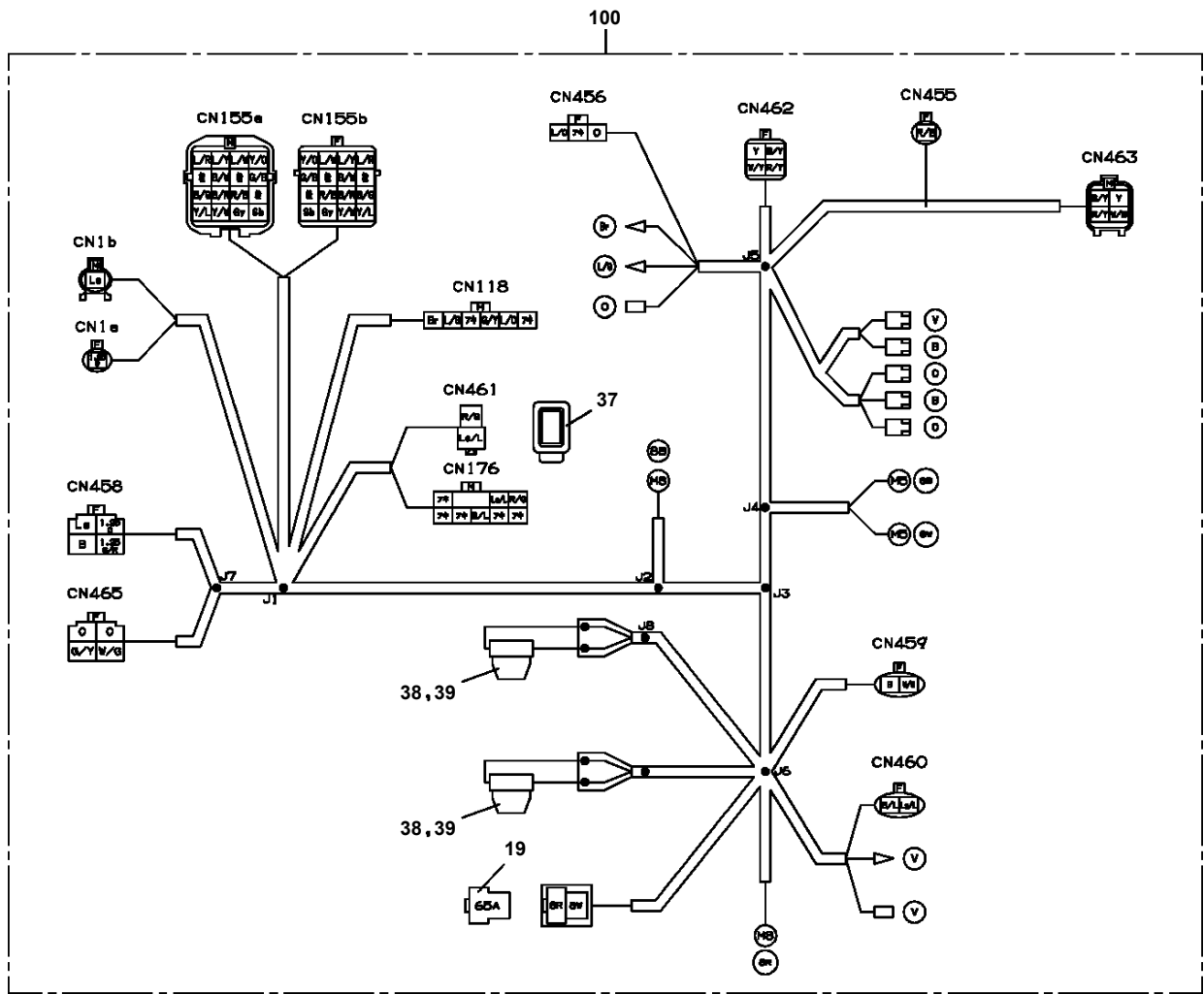


AT-110-5 42084540731 UPPER,LOWER,ISUZU TPG-NKR85AN-EE5AHY
PH5030579-00 HARNESS

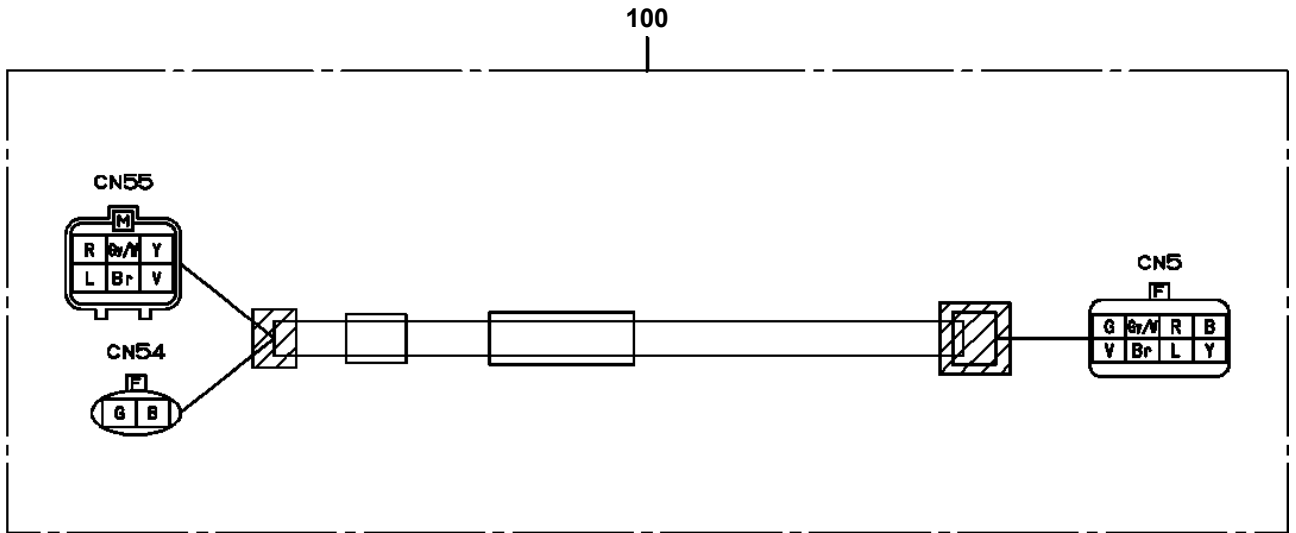
1



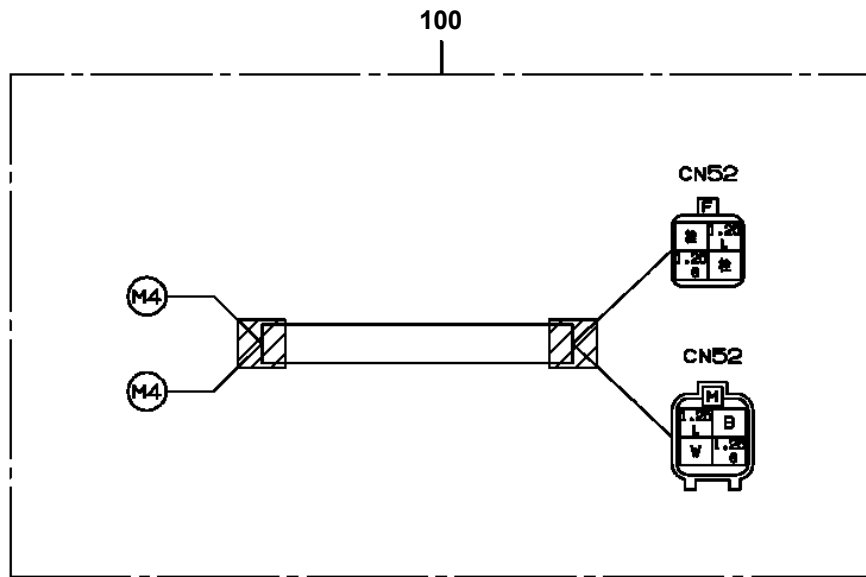
AT-110-5 42084540731 UPPER,LOWER,ISUZU TPG-NKR85AN-EE5AHY PH5030916-00 HARNESS



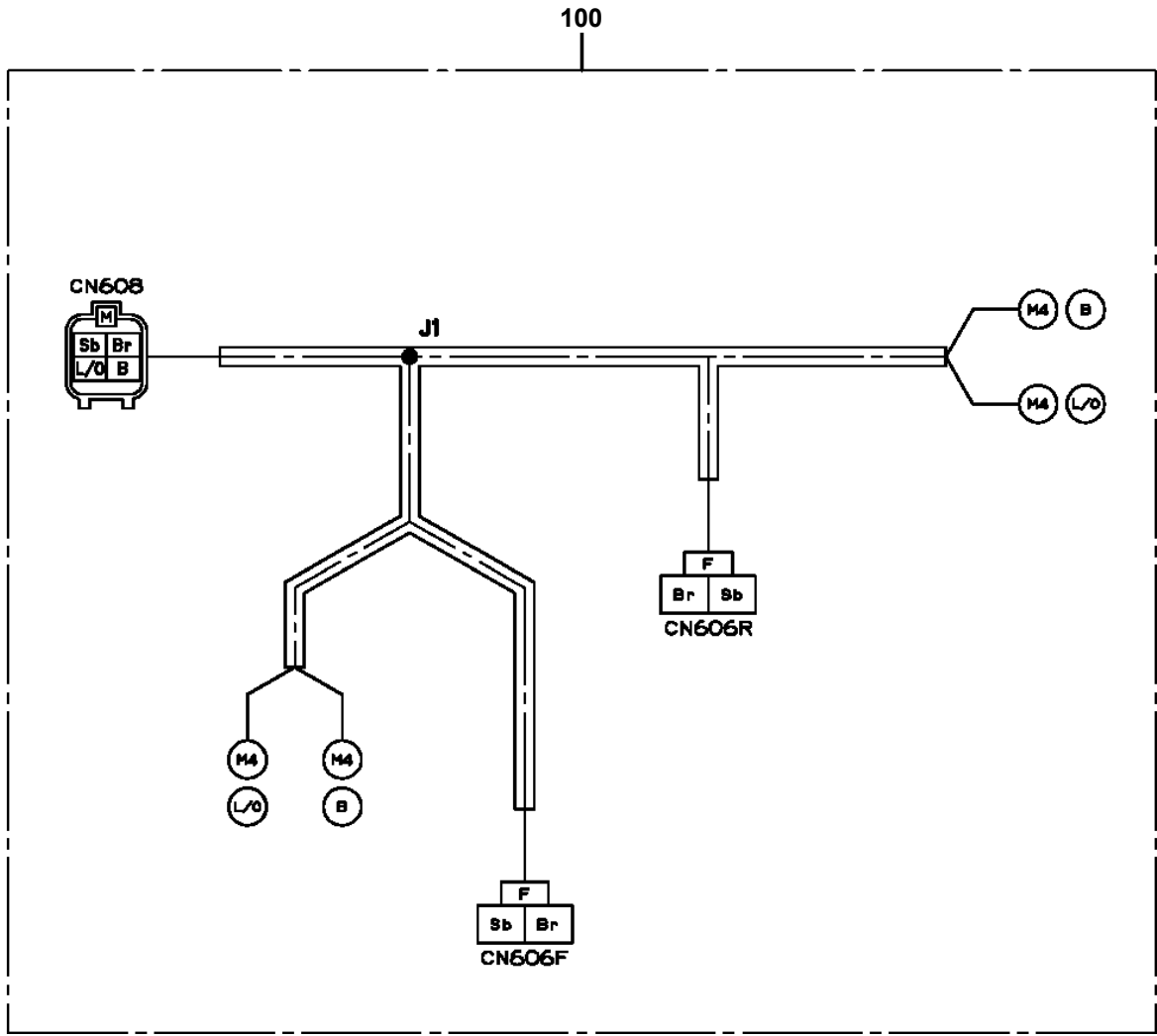
AT-110-5 42084540731 UPPER,LOWER,ISUZU TPG-NKR85AN-EE5AHY
PH5031005-00 HARNESS



AT-110-5 42084540731 UPPER,LOWER,ISUZU TPG-NKR85AN-EE5AHY
PH5031023-00 HARNESS

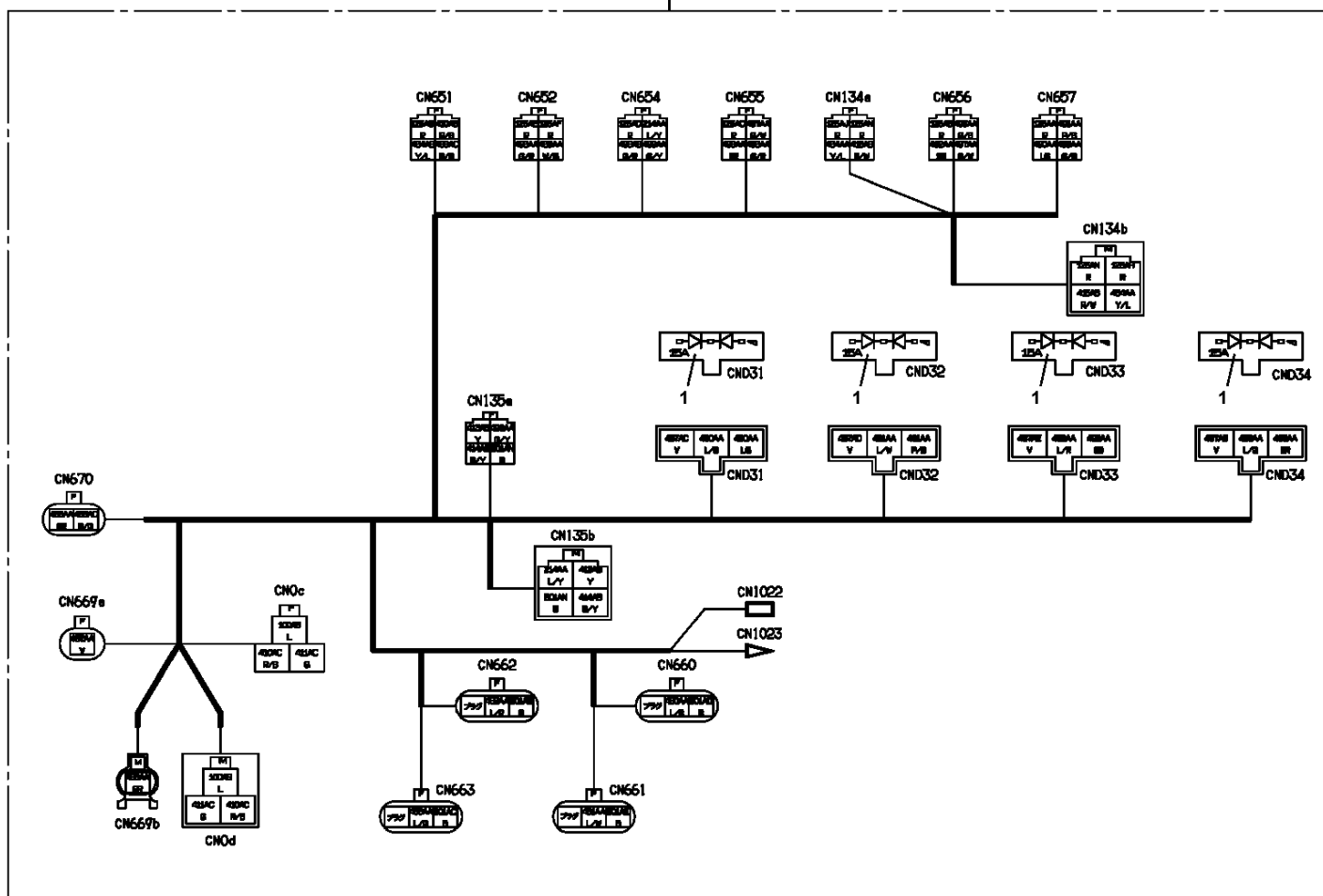


AT-110-5 42084540731 UPPER,LOWER,ISUZU TPG-NKR85AN-EE5AHY
PH5031438-00 HARNESS (LEFT TOOL BOX)

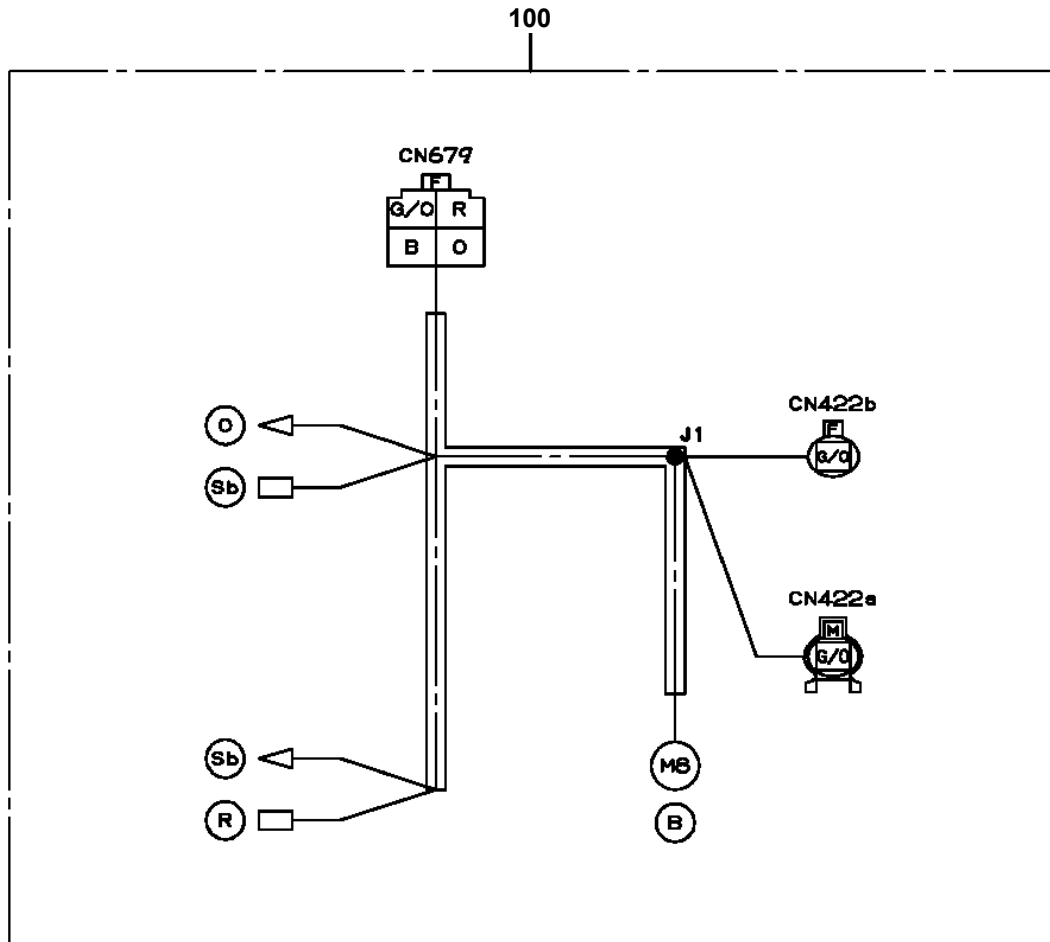


AT-110-5 42084540731 UPPER,LOWER,ISUZU TPG-NKR85AN-EE5AHY PH5031582-00 HARNESS

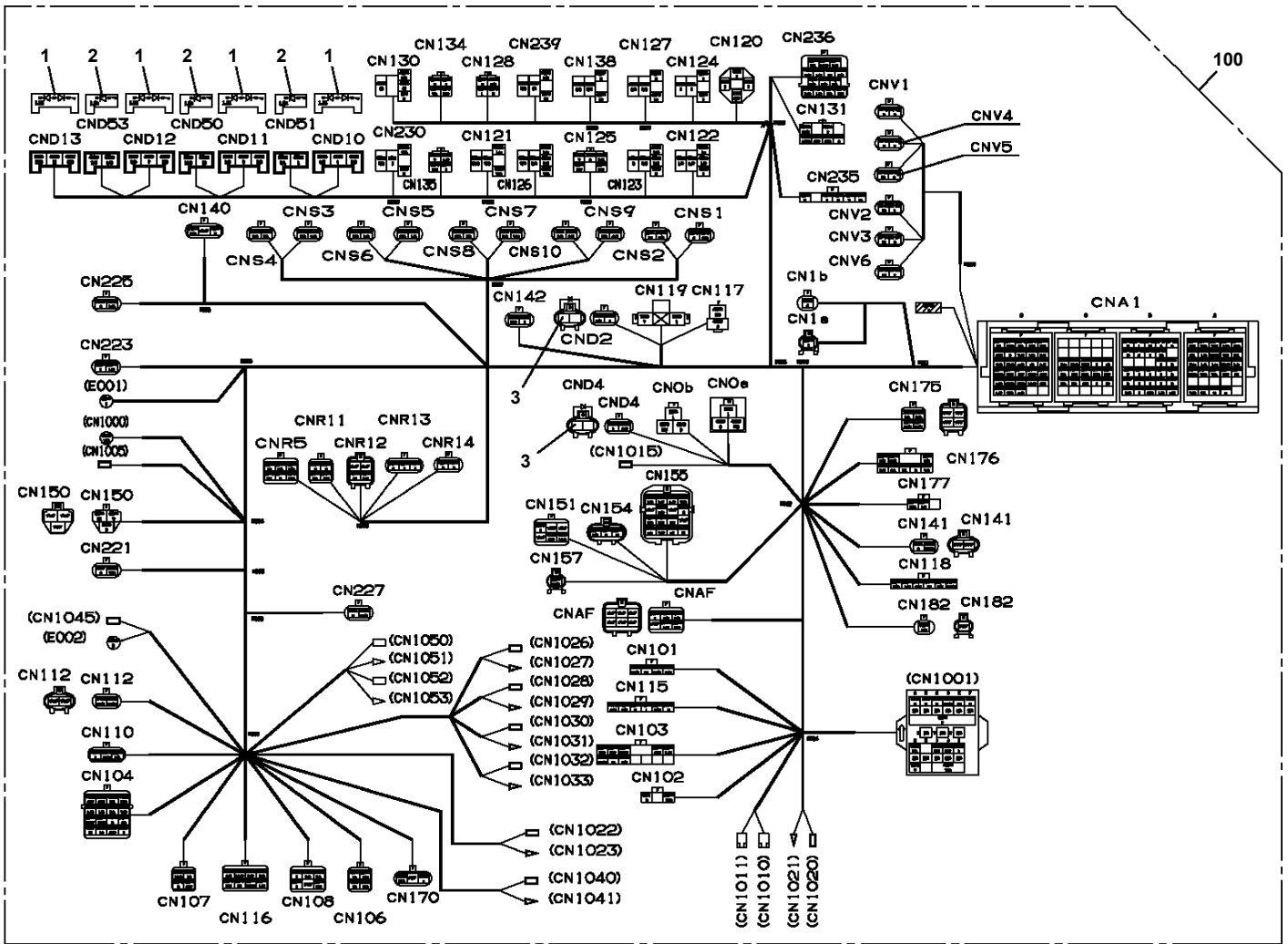
10



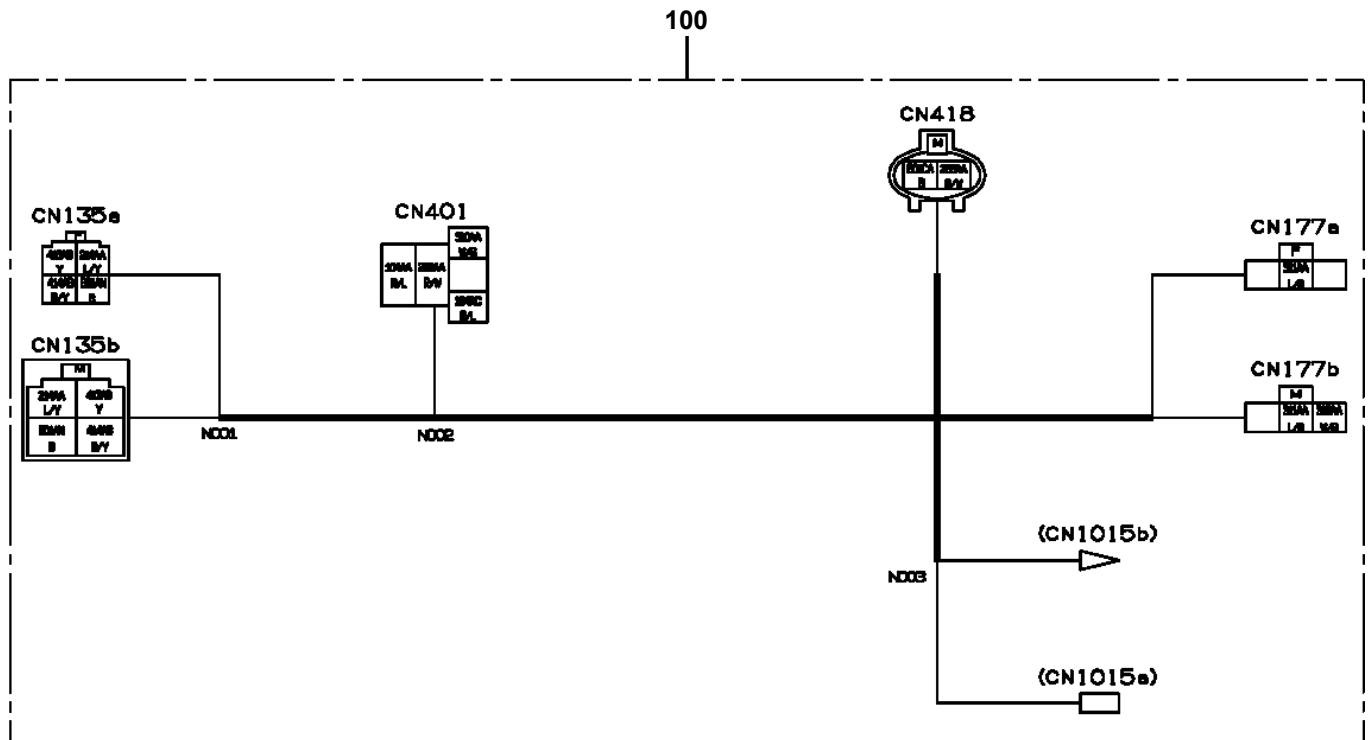
AT-110-5 42084540731 UPPER,LOWER,ISUZU TPG-NKR85AN-EE5AHY
PH5031900-00 HARNESS



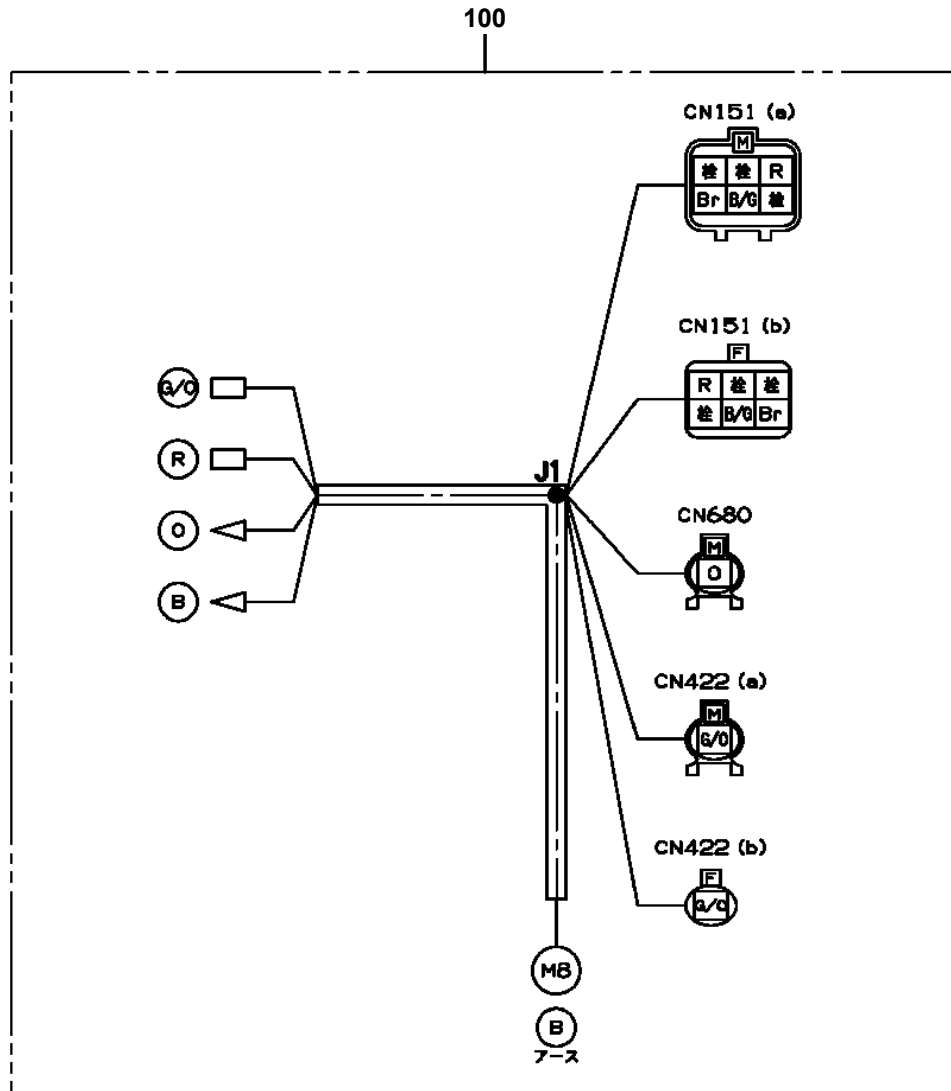
**AT-110-5 42084540731 UPPER,LOWER,ISUZU TPG-NKR85AN-EE5AHY
PH5032231-00 HARNESS (MAIN)**



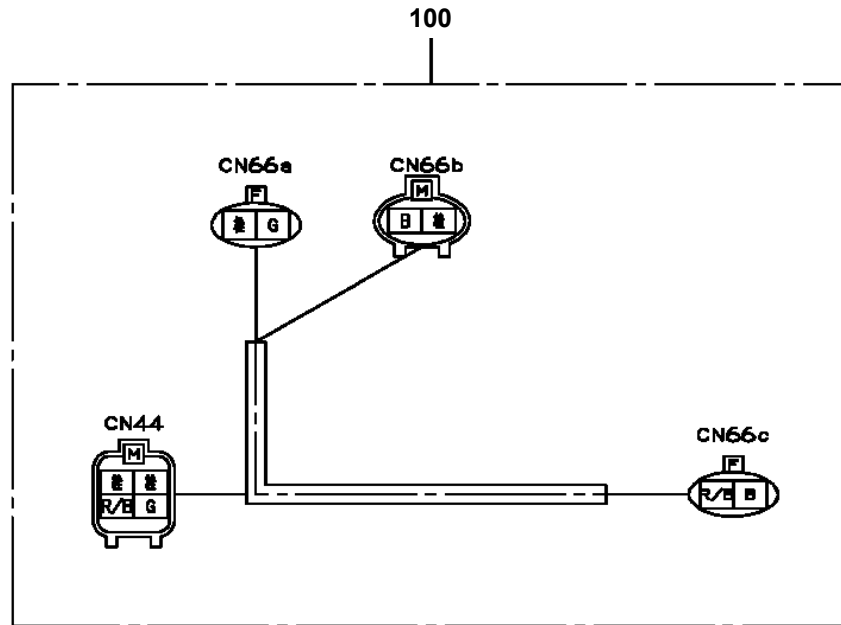
AT-110-5 42084540731 UPPER,LOWER,ISUZU TPG-NKR85AN-EE5AHY
 PH5032262-00 HARNESS



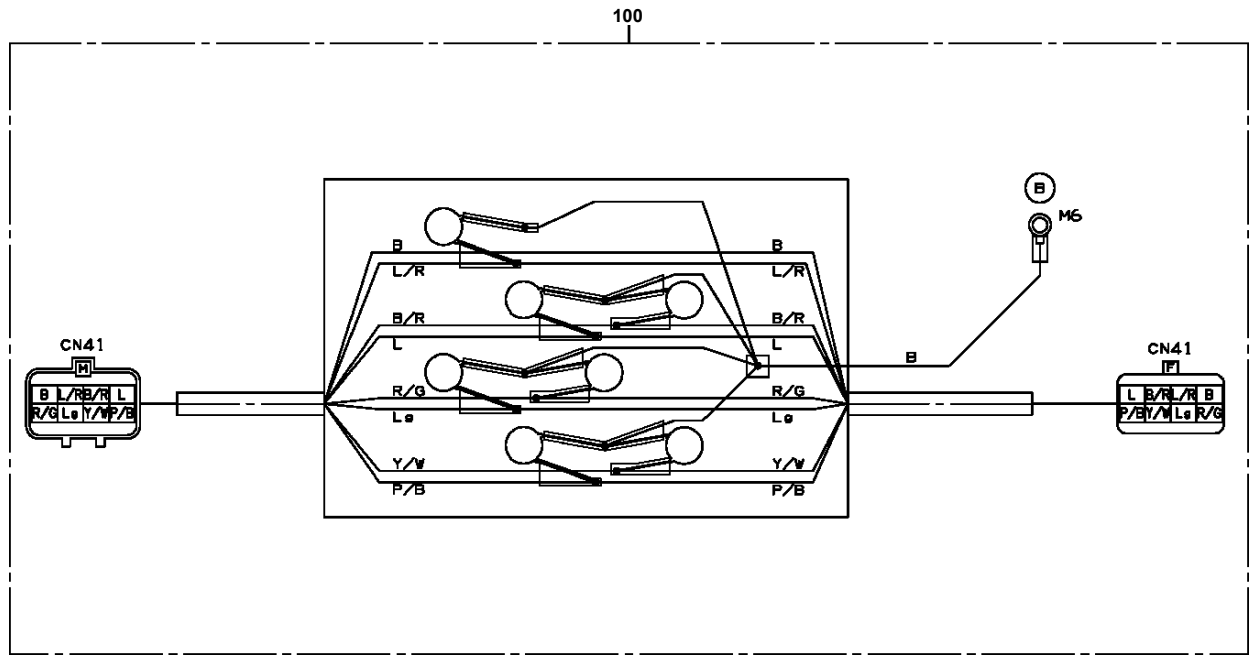
AT-110-5 42084540731 UPPER,LOWER,ISUZU TPG-NKR85AN-EE5AHY
PH5032599-00 HARNESS (OUTSIDE CAB)



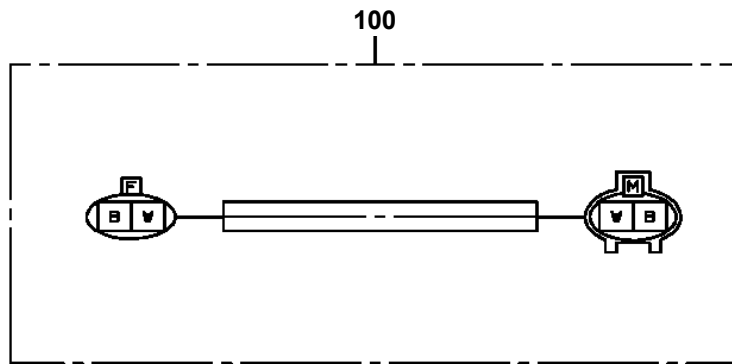
AT-110-5 42084540731 UPPER,LOWER,ISUZU TPG-NKR85AN-EE5AHY
PH5033623-00 HARNESS



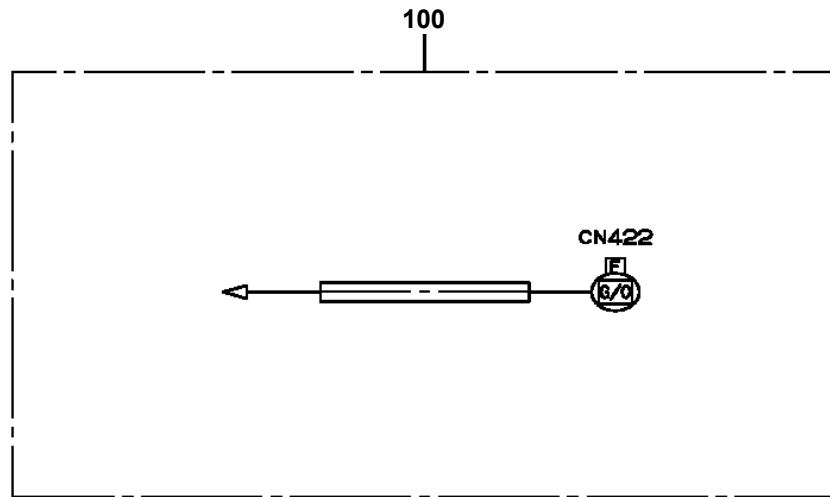
AT-110-5 42084540731 UPPER,LOWER,ISUZU TPG-NKR85AN-EE5AHY
PH5034166-00 HARNESS



AT-110-5 42084540731 UPPER,LOWER,ISUZU TPG-NKR85AN-EE5AHY
PH5034173-00 HARNESS

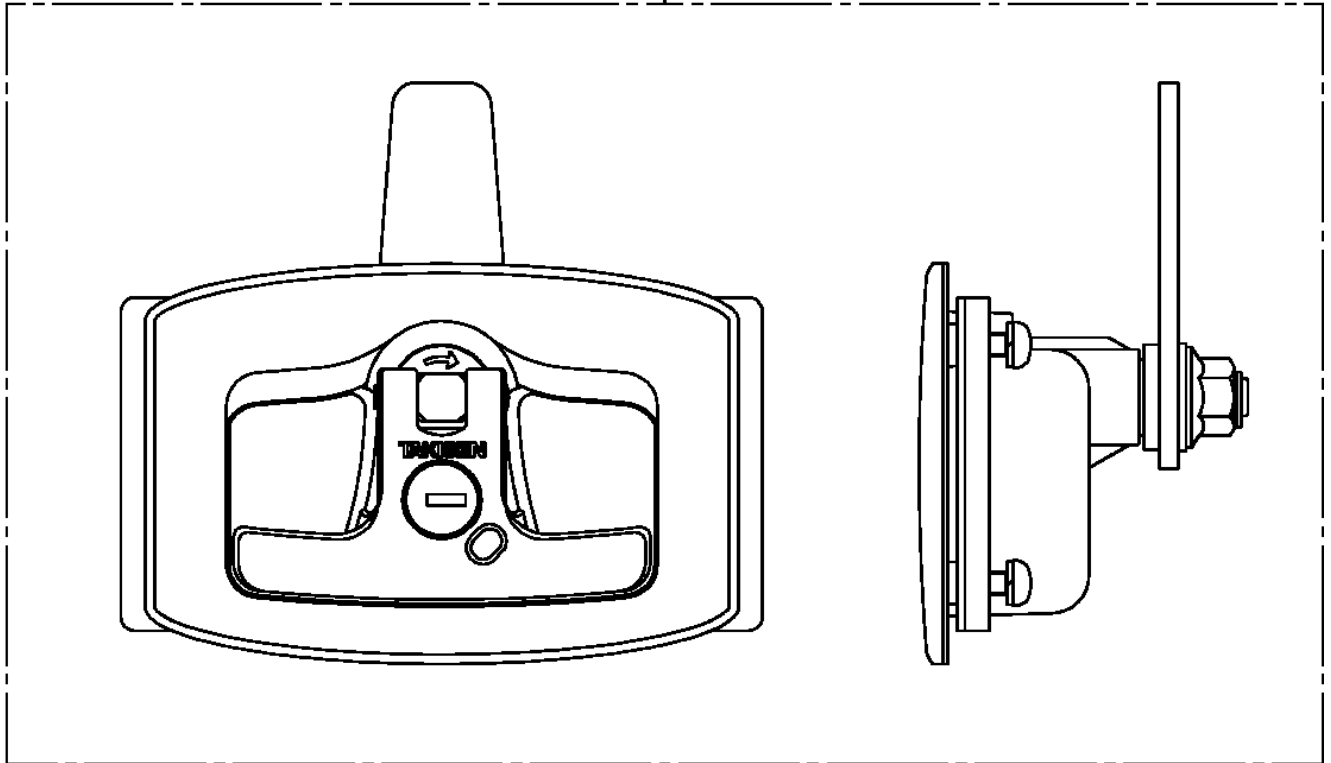


AT-110-5 42084540731 UPPER,LOWER,ISUZU TPG-NKR85AN-EE5AHY
PH5034183-00 HARNESS



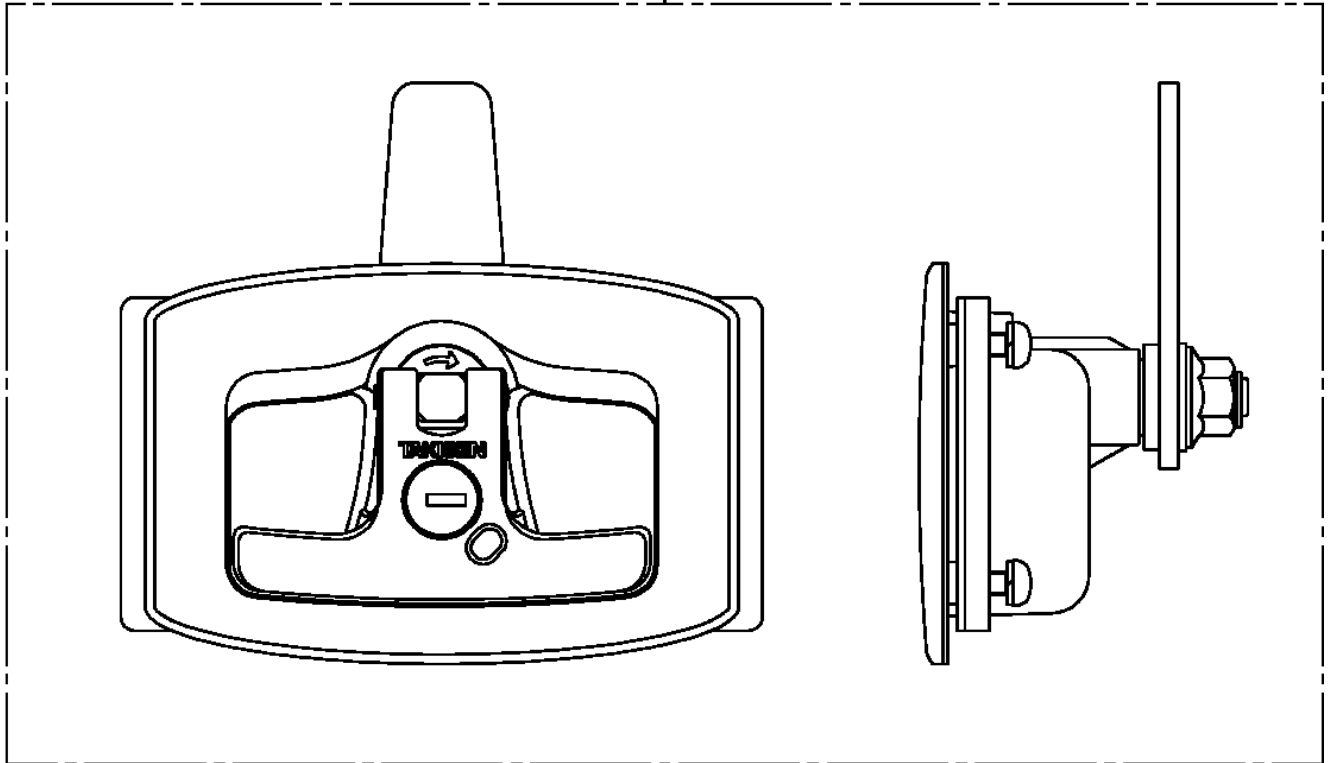
**AT-110-5 42084540731 UPPER,LOWER,ISUZU TPG-NKR85AN-EE5AHY
PH5190001-00 HANDLE**

1



**AT-110-5 42084540731 UPPER,LOWER,ISUZU TPG-NKR85AN-EE5AHY
PH5190001-00 HANDLE**

1



CLICK HERE TO **DOWNLOAD** THE COMPLETE MANUAL

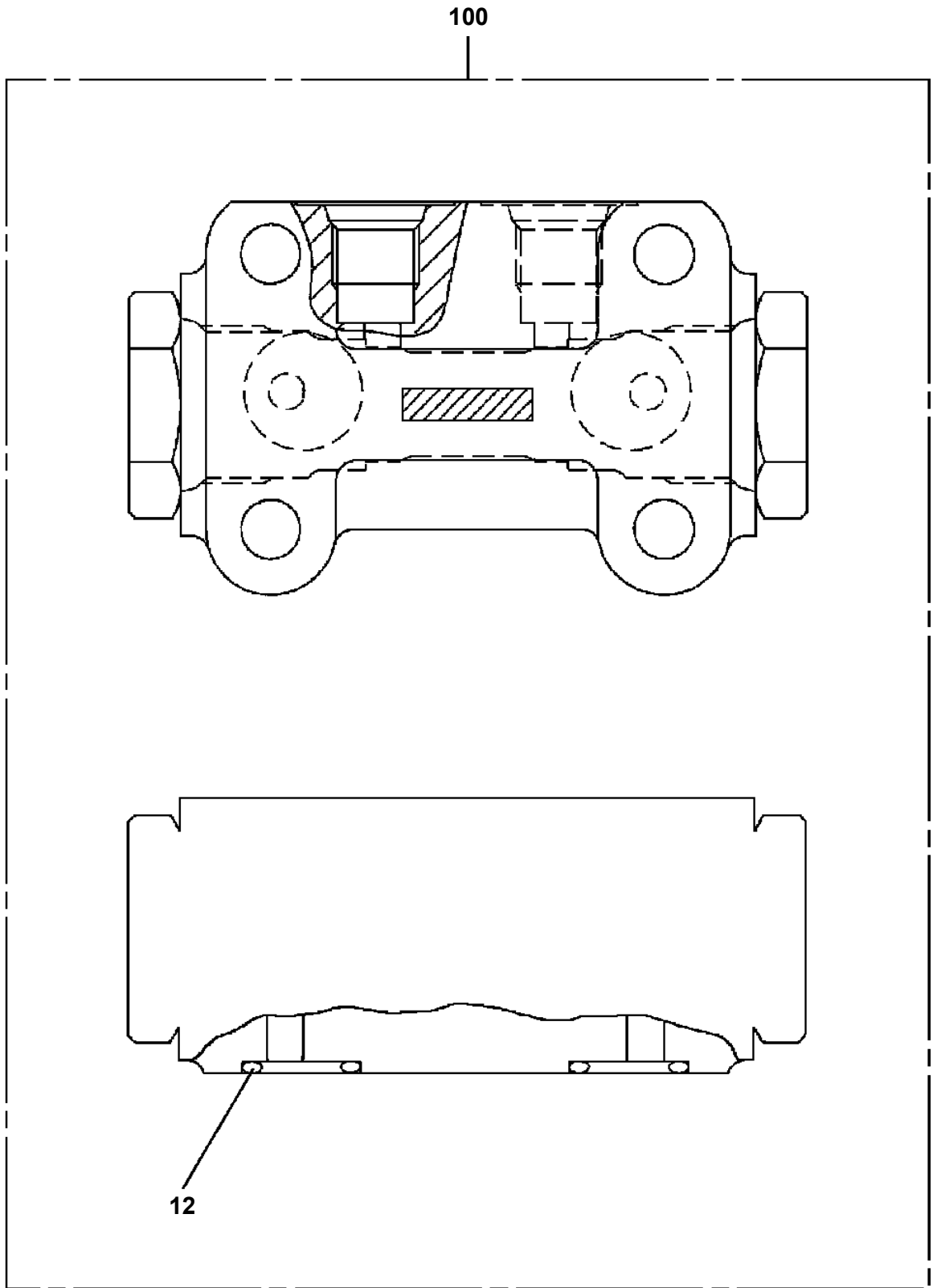
- Thank you very much for reading the preview of the manual.
- You can download the complete manual from: www.heydownloads.com by clicking the link below



- Please note: If there is no response to CLICKING the link, please download this PDF first and then click on it.

CLICK HERE TO **DOWNLOAD** THE COMPLETE MANUAL

AT-110-5 42084540731 UPPER,LOWER,ISUZU TPG-NKR85AN-EE5AHY
PI1140227-00 VALVE,CHECK



**AT-110-5 42084540731 UPPER,LOWER,ISUZU TPG-NKR85AN-EE5AHY
PI5170008-00 INTERLOCK ASSY (ISUZU/RUNAWAY PREVENTION DEVICE)**

インターロックASSY (イスズ / イツソウホ ウシキノウ)
INTERLOCK ASSY (ISUZU)

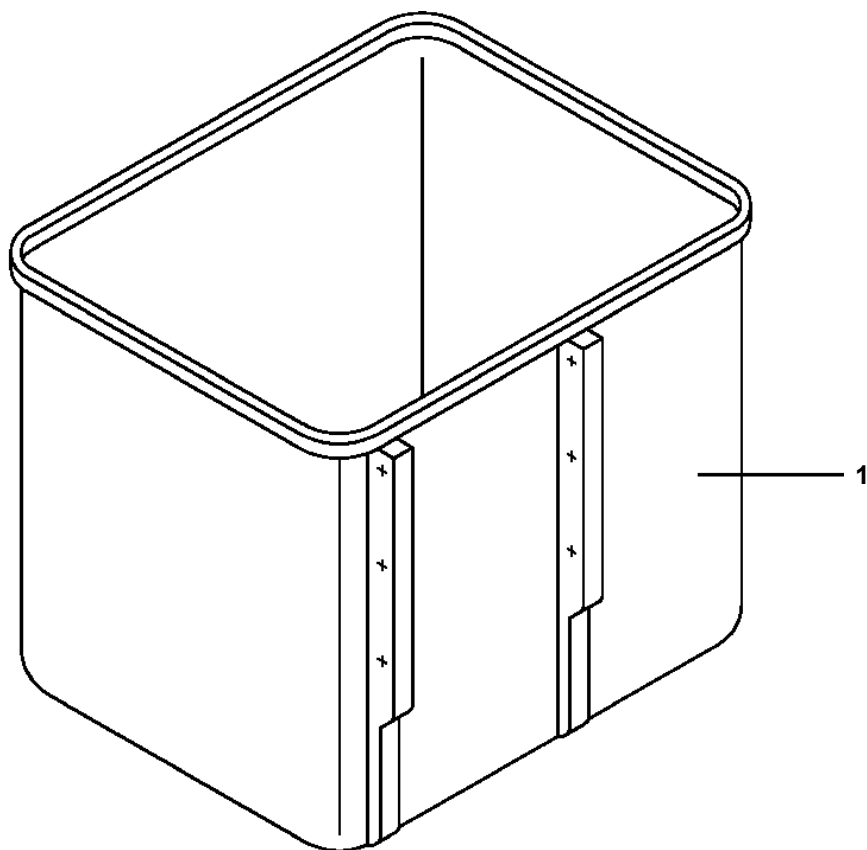
【組立名称一覧】より選択してください。
SEE THE CORRESPONDING "ASSEMBLY NAME" LIST.

AT-110-5 42084540731 UPPER,LOWER,ISUZU TPG-NKR85AN-EE5AHY
PI5170031-00 INTERLOCK ASSY (3RD BRAKE)

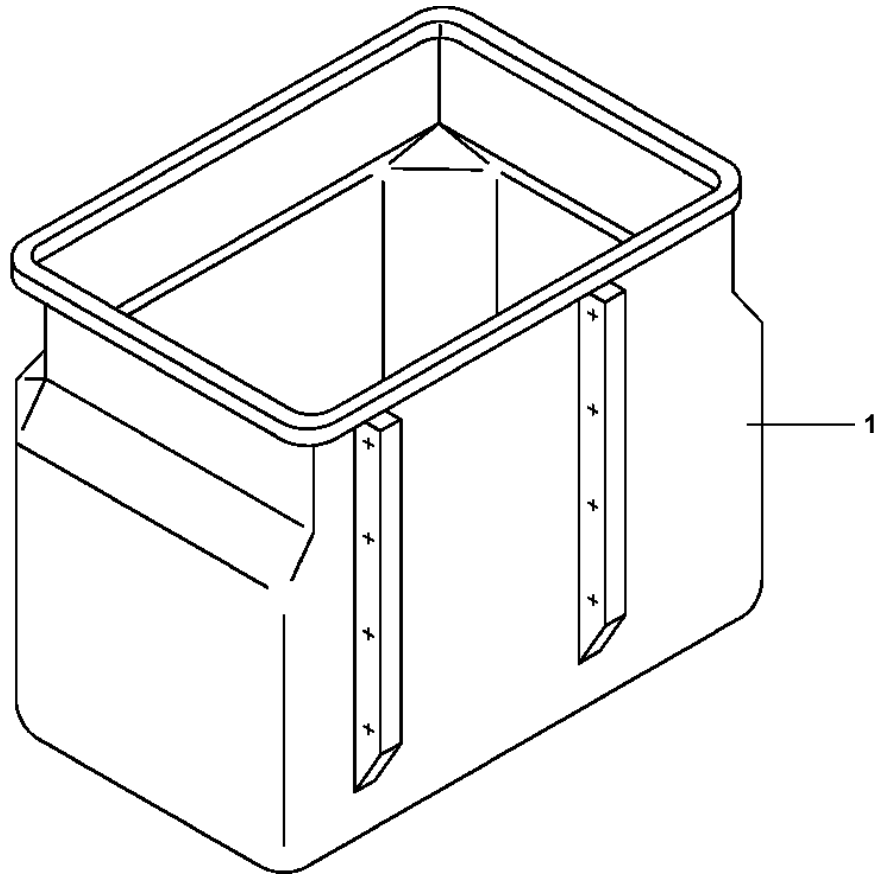
インターロックASSY (タ^ク イ3^フ レーキ)
INTERLOCK ASSY (3RD BRAKE)

指示番号 KEY NO.	部品名称 PART NAME	備考 REMARK
1	ハイセンASSY ELEC.ASSY	
2	ネームプレートASSY NAME PLATE ASSY	

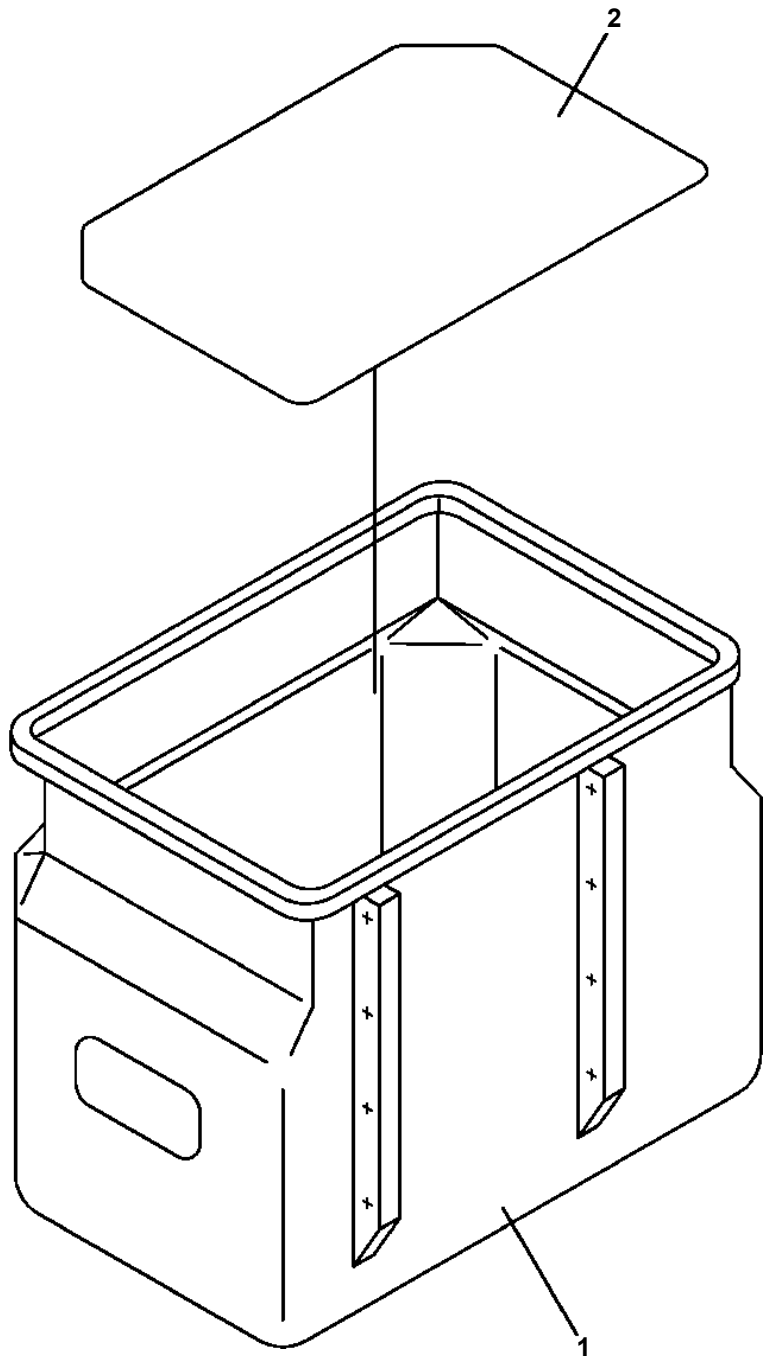
**AT-110-5 42084540731 UPPER,LOWER,ISUZU TPG-NKR85AN-EE5AHY
PJ3010261-00 BUCKET (200KG STRAIGHT/WITH INNER)**



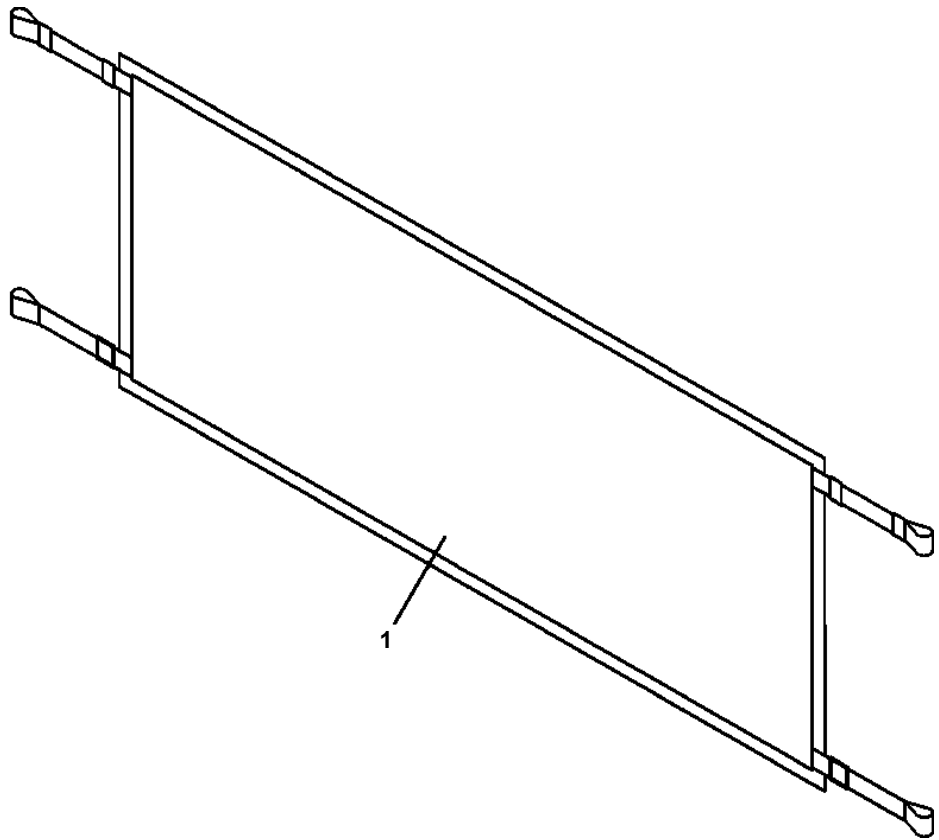
**AT-110-5 42084540731 UPPER,LOWER,ISUZU TPG-NKR85AN-EE5AHY
PJ3010317-00 BUCKET (WHITE/WITHOUT BOSS)**



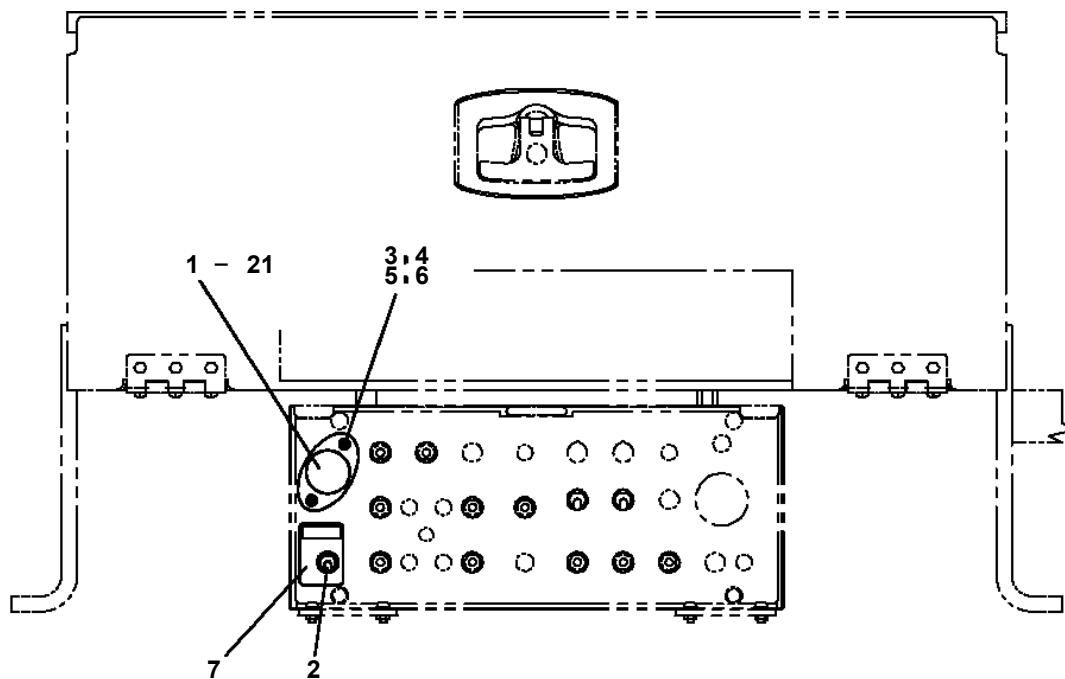
**AT-110-5 42084540731 UPPER,LOWER,ISUZU TPG-NKR85AN-EE5AHY
PJ3010366-00 BUCKET (WHITE/WITH BOSS)**



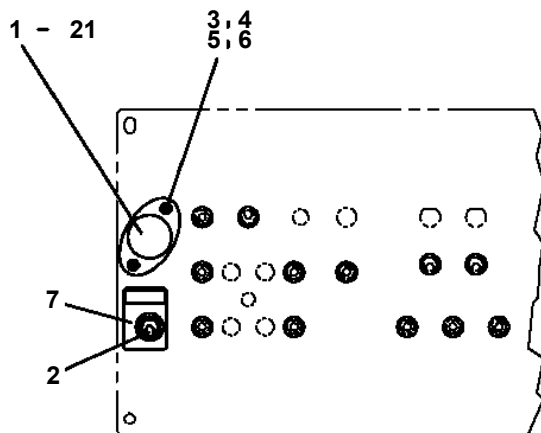
AT-110-5 42084540731 UPPER,LOWER,ISUZU TPG-NKR85AN-EE5AHY
PK1330325-00 COVER



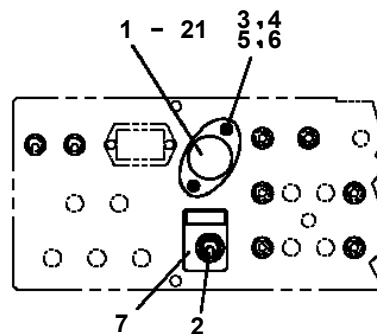
AT-110-5 42084540731 UPPER,LOWER,ISUZU TPG-NKR85AN-EE5AHY
 PL5020079-01 LAMP ASSY (LOWER CONTROLS)



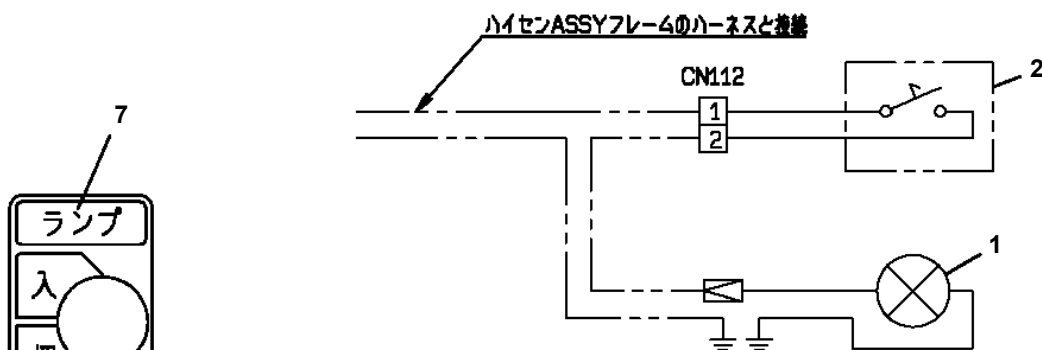
後端操作部



後端操作部 L仕様の場合



後端操作部 D仕様の場合

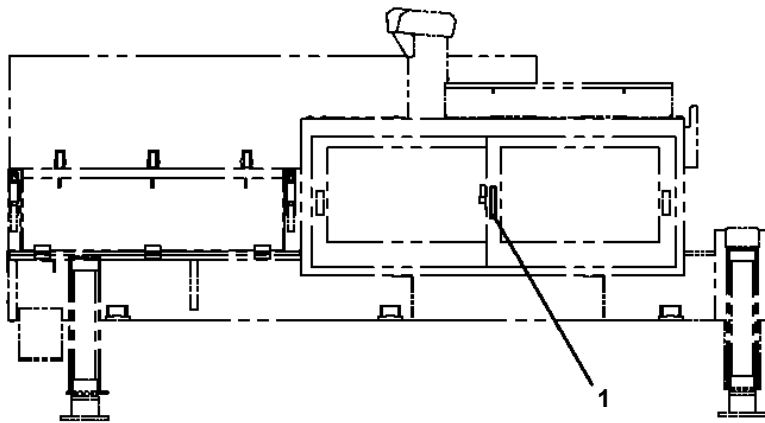
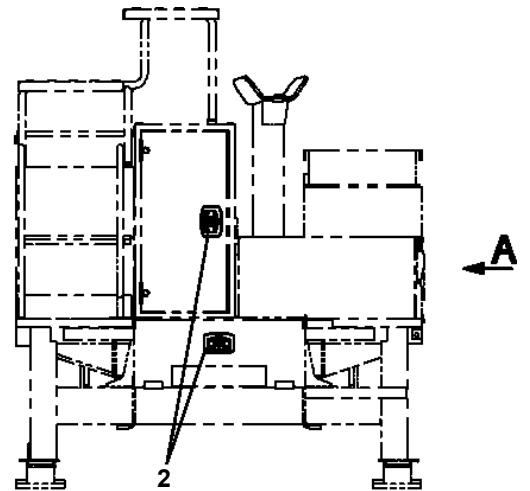
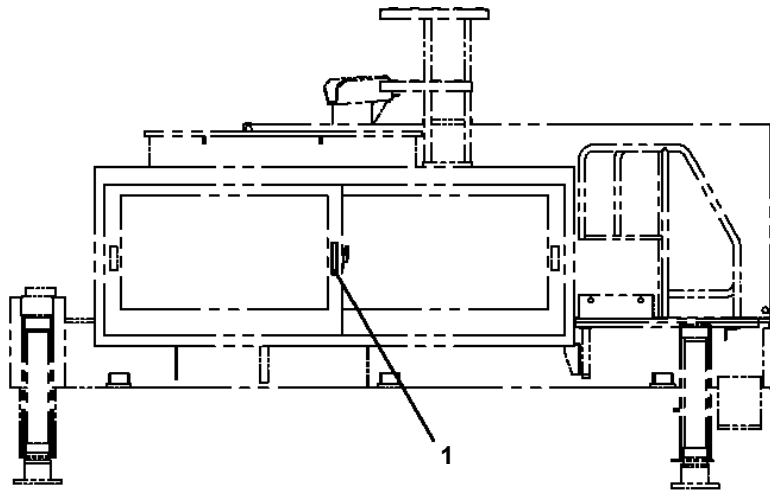


回路図

AT-110-5 42084540731 UPPER,LOWER,ISUZU TPG-NKR85AN-EE5AHY

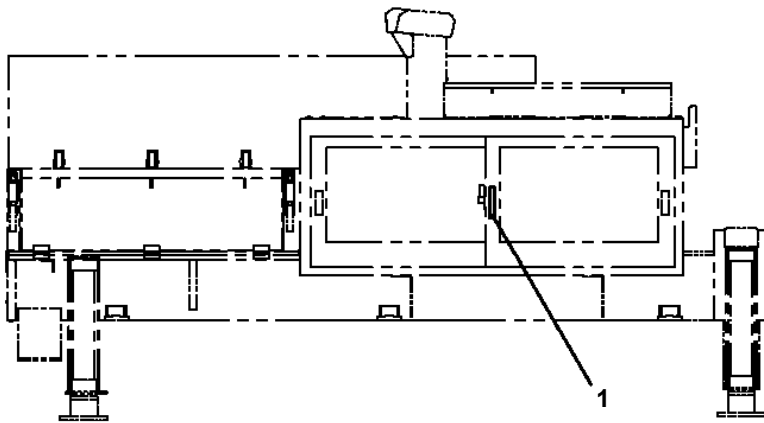
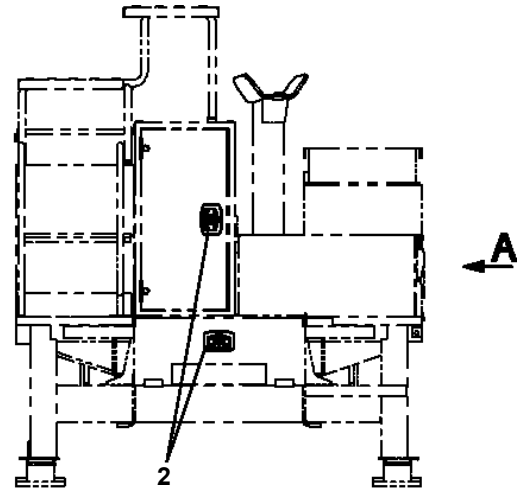
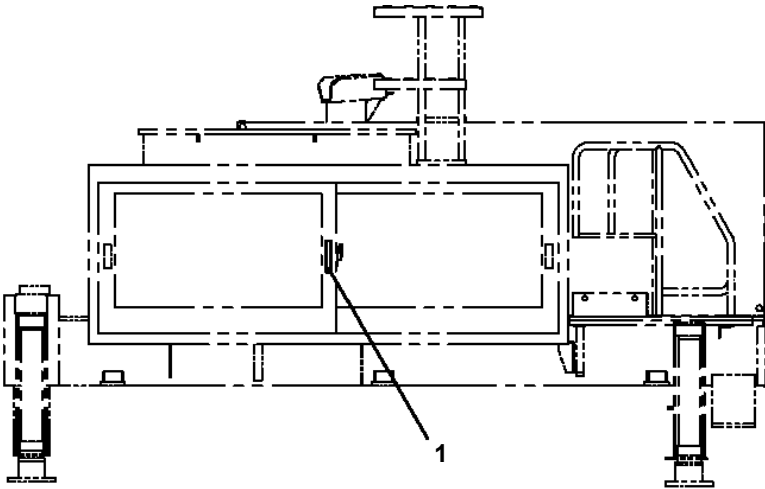
Pos No.	Parts No	Parts Name	Qty	Unit	Technical Data	Serial No (Start)	Serial No
1	42502590100	SUPPORT	1				
2	42511110100	SUPPORT	1				
3	90101208020	BOLT	4		M8X20		
4	90302040801	WASHER,SPRING	4		8		
5	90303070801	WASHER,PLAIN	4		8		
6	90201200800	NUT	4		M8		
7	90813108016	BOLT,WING	1		M8X16		
8	42651490100	LAMP ASSY	1				
9	82401601002	CLAMP	2				
10	82100002004	CLAMP	1		WR8		
11	90101206010	BOLT	1		M6X1.0		
12	90302040601	WASHER,SPRING	1		6		
13	91810130240	FASTENER	2				
14	42970430200	HARNESS	1				
31	82165904020	LAMP	1		24V 60W		
32	90101212020	BOLT	1		M12X20		
33	90302041201	WASHER,SPRING	1		12		
34	37000113640	PIN	1				
51	82100000054	BULB,LAMP	1		24V 60W		
69	82100002838	SWITCH ASSY (WITH HARNESS,TERMINAL)	1				

AT-110-5 42084540731 UPPER,LOWER,ISUZU TPG-NKR85AN-EE5AHY
PL5270044-00 LOCK ASSY (KEY NO.2)



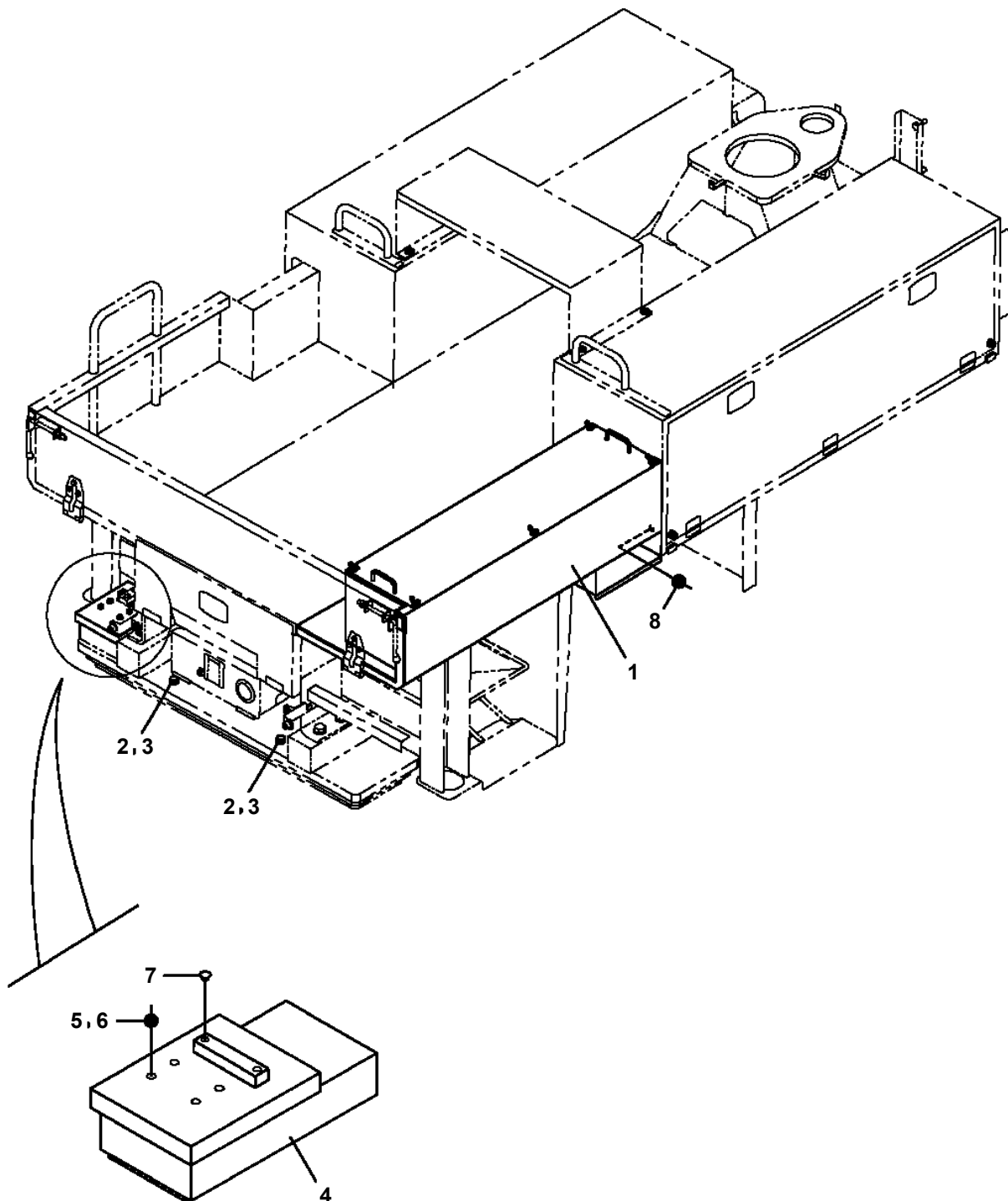
A

AT-110-5 42084540731 UPPER,LOWER,ISUZU TPG-NKR85AN-EE5AHY
PL5270049-00 LOCK ASSY (KEY NO.7)

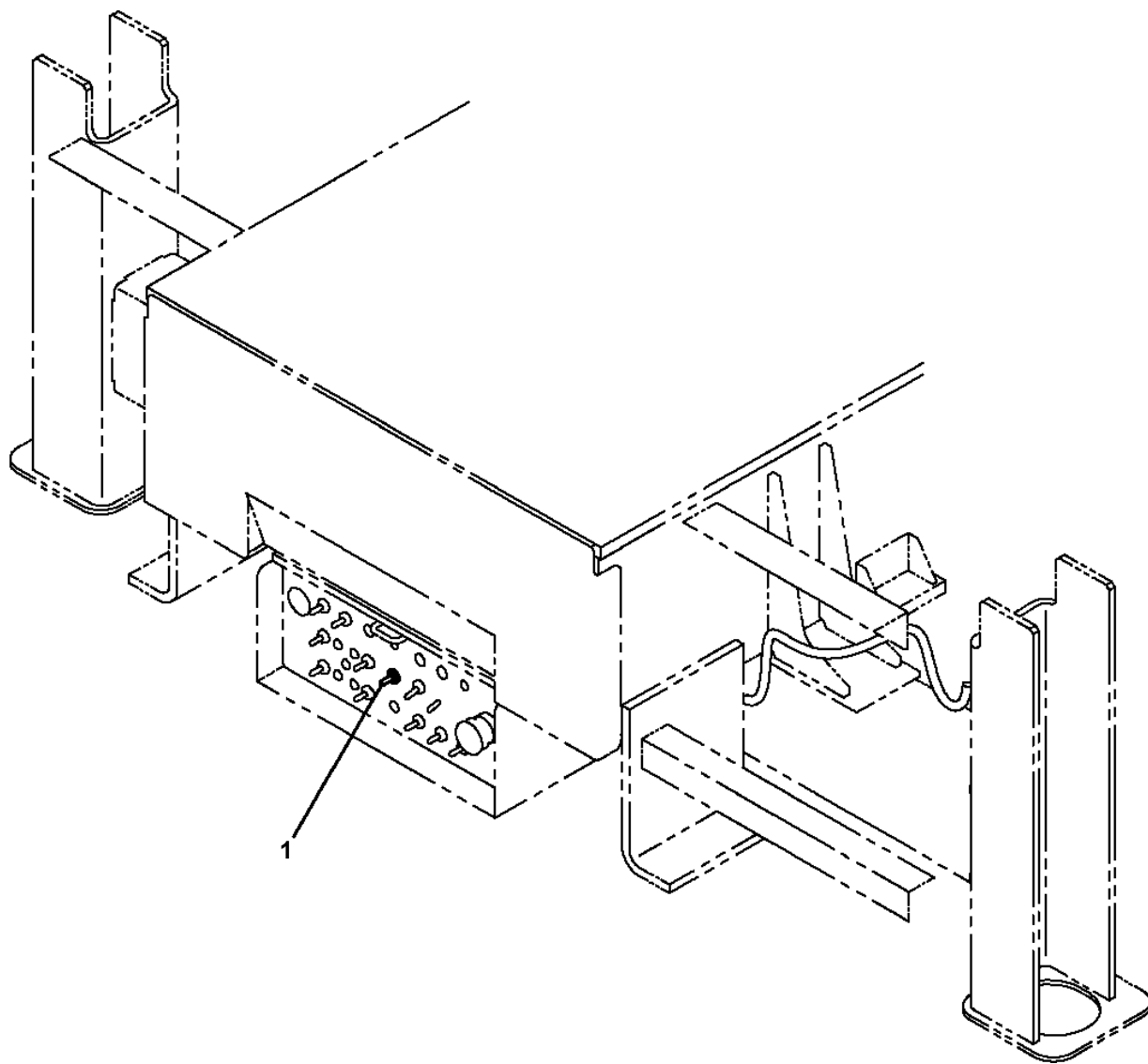


A

AT-110-5 42084540731 UPPER,LOWER,ISUZU TPG-NKR85AN-EE5AHY
PM5150479-00 MODIFICATION ASSY



**AT-110-5 42084540731 UPPER,LOWER,ISUZU TPG-NKR85AN-EE5AHY
PM5150651-00 MODIFICATION ASSY**



AT-110-5 42084540731 UPPER,LOWER,ISUZU TPG-NKR85AN-EE5AHY

Pos No.	Parts No	Parts Name	Qty	Unit	Technical Data	Serial No (Start)	Serial No (End)	Remarks
1	42502382100	HARNESS	1					
2	42350250070	PLUG (2 POLES,MALE)	1					
3	42433330020	PLUG (2 POLES,FEMALE)	1					
4	91810130240	FASTENER	1					

AT-110-5 42084540731 UPPER,LOWER,ISUZU TPG-NKR85AN-EE5AHY

Pos No.	Parts No	Parts Name	Qty	Unit	Technical Data	Serial No (Start)	Serial No (End)
6	82105220286	SWITCH,TOGGLE	3				
50	42651591300	SWITCH ASSY (WITH HARNESS,3 SW)	1				

AT-110-5 42084540731 UPPER,LOWER,ISUZU TPG-NKR85AN-EE5AHY

Pos No.	Parts No	Parts Name	Qty	Unit	Technical Data	Serial No (Start)	Serial No
1	42333473010	PLATE,NAME (BOOM OPERATION)	1				
2	42332893020	PLATE,CAUTION (PREOPERATION CHECK)	1				

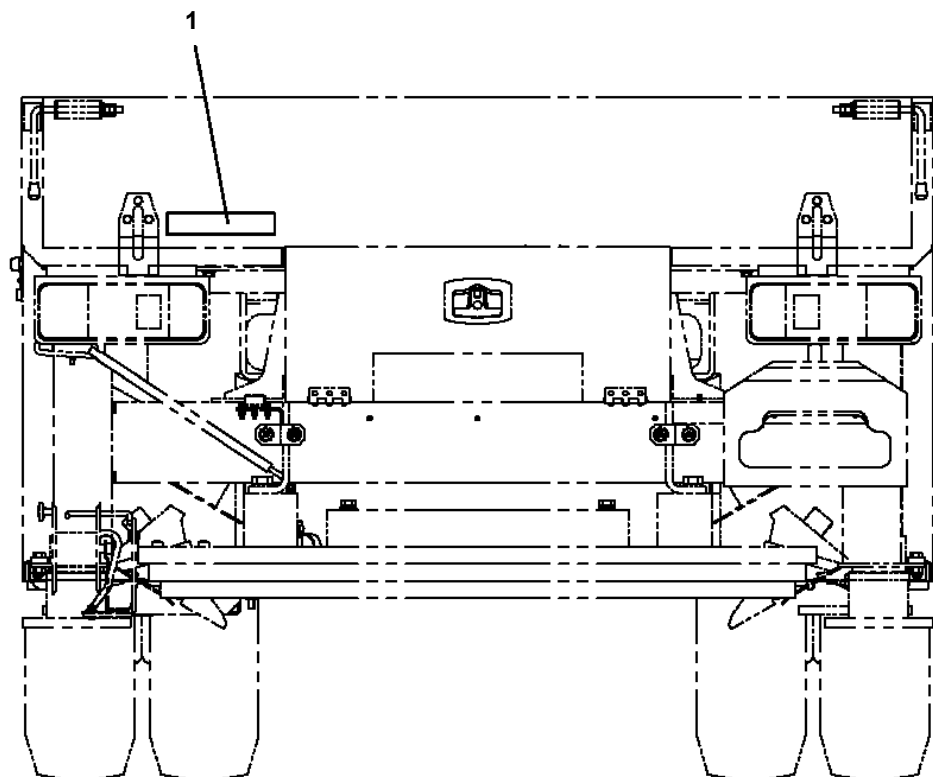
AT-110-5 42084540731 UPPER,LOWER,ISUZU TPG-NKR85AN-EE5AHY

Pos No.	Parts No	Parts Name	Qty	Unit	Technical Data	Serial No (Start)	Serial No (End)	Remarks	Pages
1	42590221010	PLATE,NAME	1						
2	42590594010	PLATE,NAME	1						
3	42590594020	PLATE,NAME	1						
4	42590594030	PLATE,NAME	1						
5	42590594040	PLATE,NAME	1						
6	42590594050	PLATE,NAME	1						
7	42590594060	PLATE,NAME	1						
8	42475910010	PLATE,NAME	2						
9	42396162040	PLATE,NAME	1						
10	42590594080	PLATE,NAME	1						

AT-110-5 42084540731 UPPER,LOWER,ISUZU TPG-NKR85AN-EE5AHY

Pos No.	Parts No	Parts Name	Qty	Unit	Technical Data	Serial No (Start)	Serial No (End)	Rema
1	42333462010	PLATE,NAME (SWITCH,LAMP)	1					
3	42391163120	PLATE,NAME	1					
4	42331782120	PLATE,NAME	1					
5	42331272010	PLATE,NAME	1					
6	42331272020	PLATE,NAME	1					
7	42331272030	PLATE,NAME	1					

AT-110-5 42084540731 UPPER,LOWER,ISUZU TPG-NKR85AN-EE5AHY
PN5010959-00 NAME PLATE ASSY (MAXIMUM LOADING CAPACITY:450KG)



1
最大積載量 450Kg

AT-110-5 42084540731 UPPER,LOWER,ISUZU TPG-NKR85AN-EE5AHY

Pos No.	Parts No	Parts Name	Qty	Unit	Technical Data	Serial No (Start)	Serial No
1	42973355010	PLATE,NAME (WEDGE INTERLOCK LAMP)	1				
2	42973355020	PLATE,NAME (WEDGE NOT STOW)	1				
3	42973355030	PLATE,NAME (WEDGE ALARM ON/OFF)	1				
4	82467300104	PLUG	1				
5	42973355040	PLATE,NAME (WEDGE INTERLOCK)	1				

AT-110-5 42084540731 UPPER,LOWER,ISUZU TPG-NKR85AN-EE5AHY

Pos No.	Parts No	Parts Name	Qty	Unit	Technical Data	Serial No (Start)	Serial No (End)	Remarks	Pa
1	42943910010	PLATE,NAME (2.85M)	1						
2	82444100500	PLATE,NAME	1						
3	37002224450	PLATE,NAME	1						

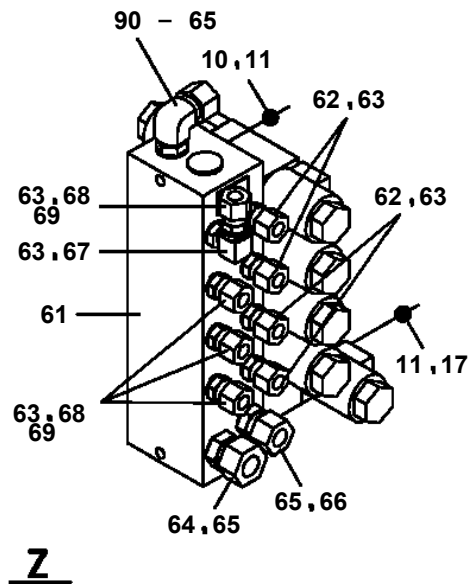
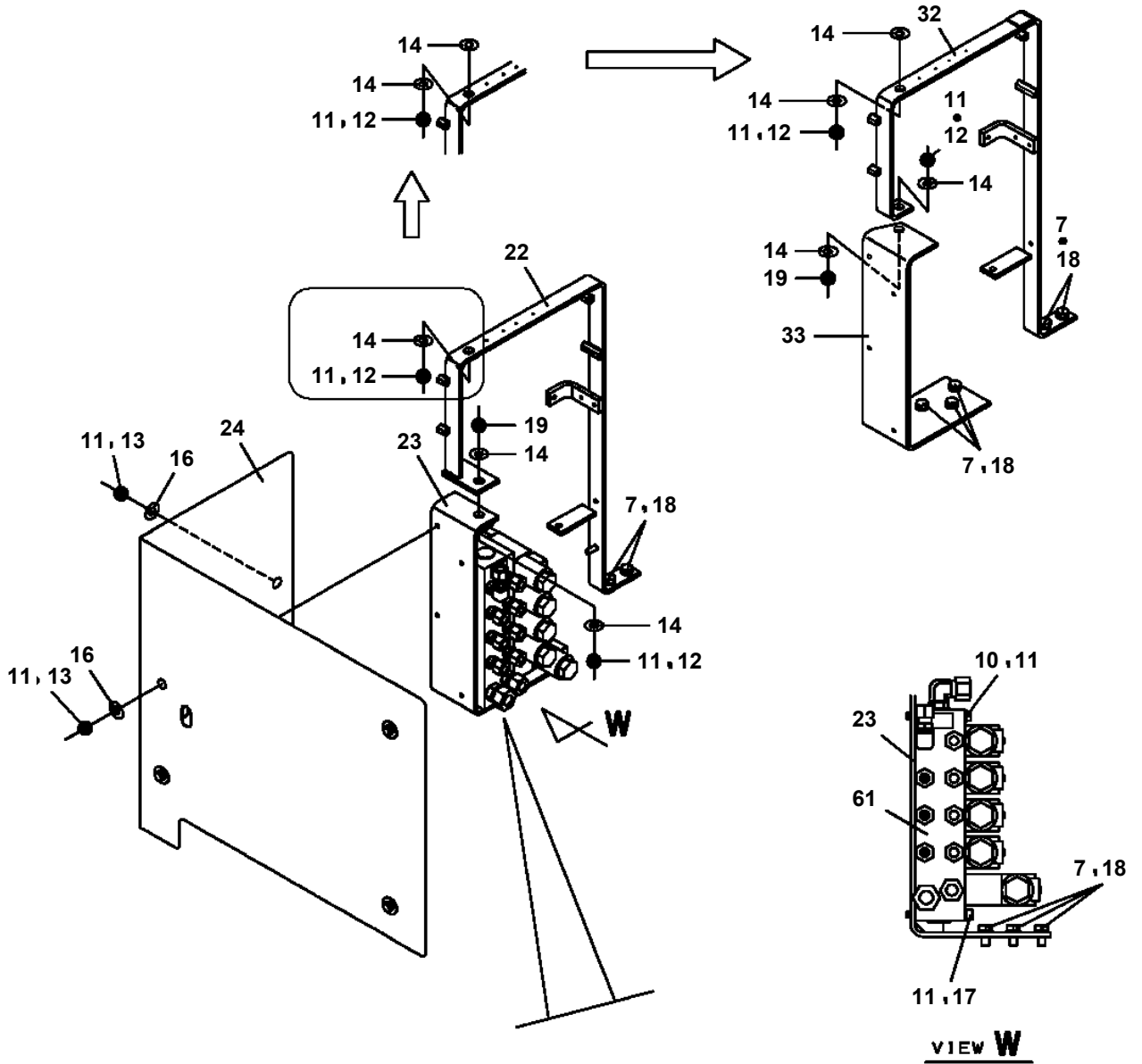
AT-110-5 42084540731 UPPER,LOWER,ISUZU TPG-NKR85AN-EE5AHY

Pos No.	Parts No	Parts Name	Qty	Unit	Technical Data	Serial No (Start)	Serial N
1	42450951010	PLATE,CAUTION (HYDRAULIC OIL ISO VG22)	1				

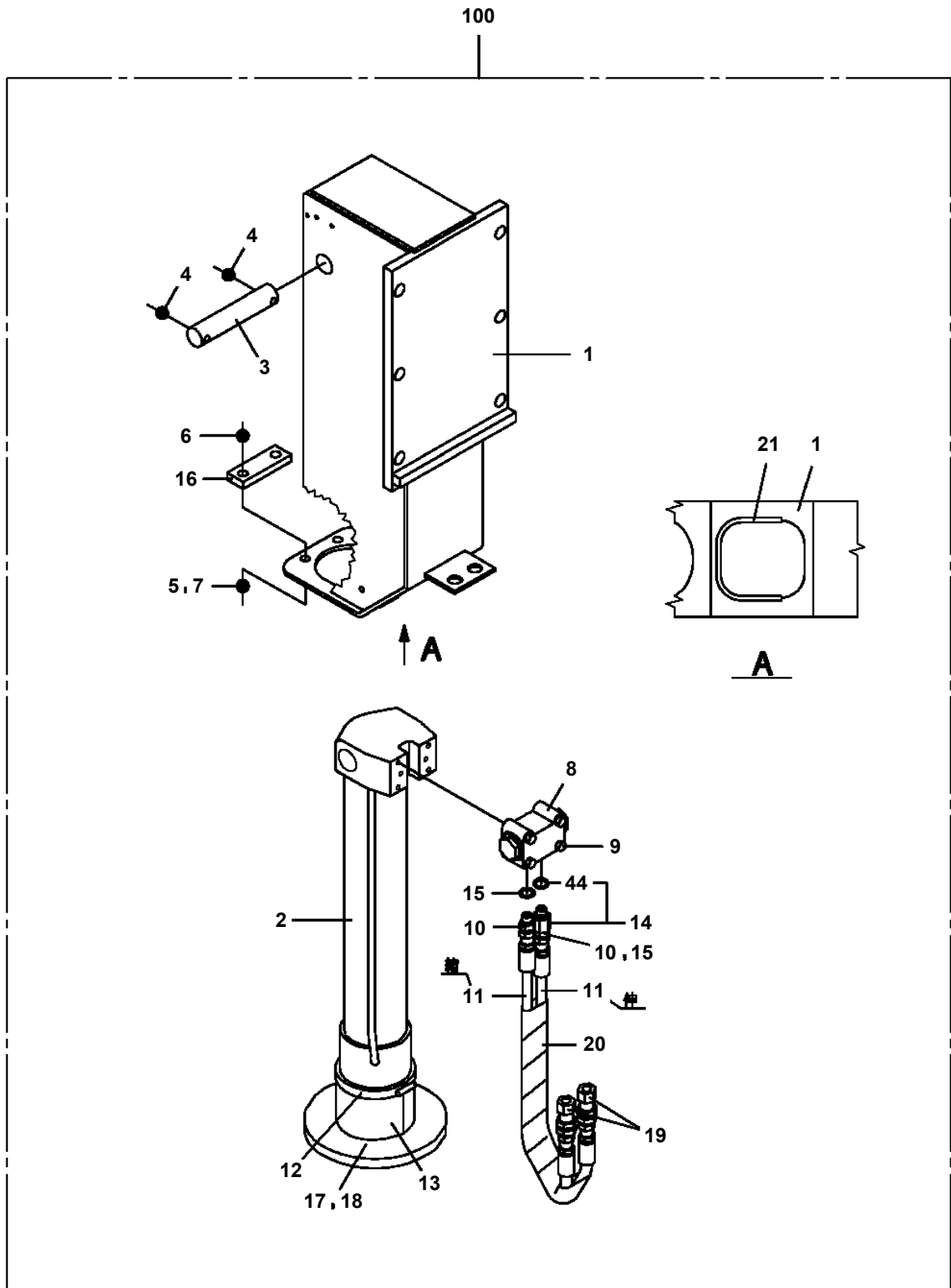
AT-110-5 42084540731 UPPER,LOWER,ISUZU TPG-NKR85AN-EE5AHY

Pos No.	Parts No	Parts Name	Qty	Unit	Technical Data	Serial No (Start)	Serial No (End)
1	(*****)	OPE.ASSY,BUCKET	1				
2	(*****)	NAME PLATE ASSY (BUCKET CONTROL)	1				
3	(*****)	NAME PLATE ASSY (INSIDE BUCKET)	1				
4	(*****)	NAME PLATE ASSY (SAFETY BELT HOOK HOLDER)	1				

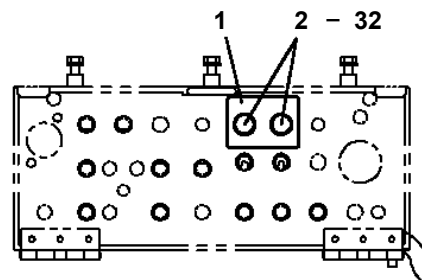
AT-110-5 42084540731 UPPER,LOWER,ISUZU TPG-NKR85AN-EE5AHY
PO5080088-02 OPE.ASSY,CONT.VALVE



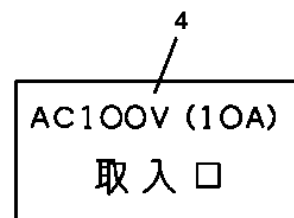
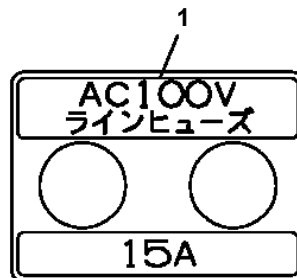
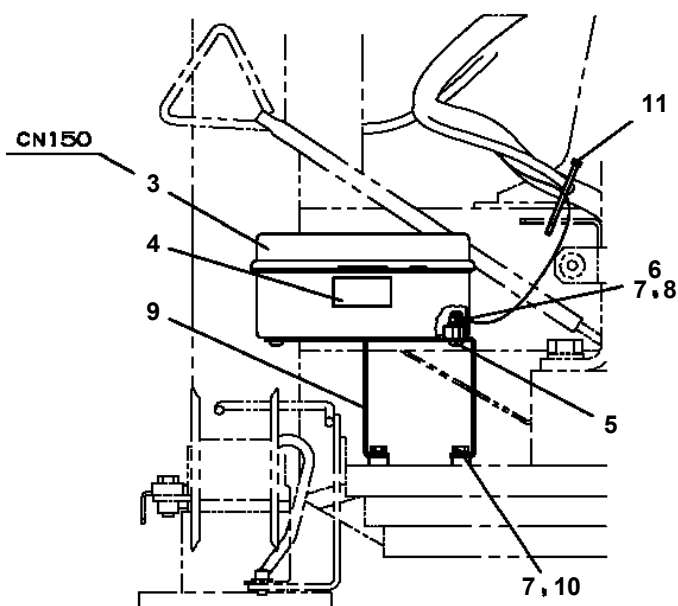
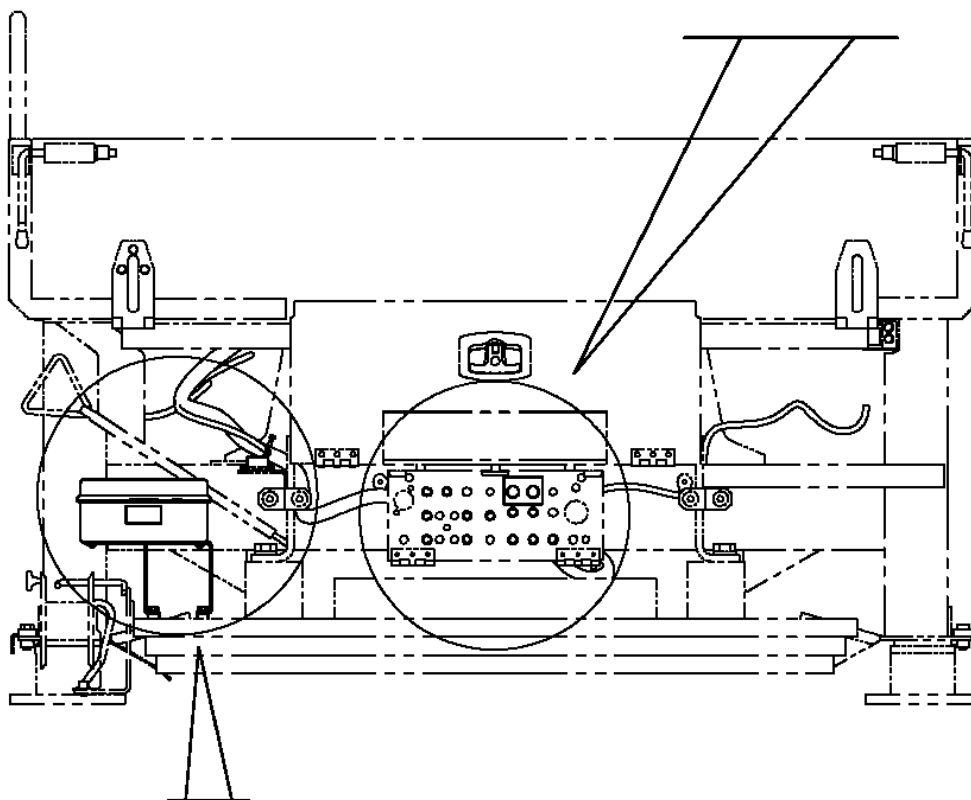
AT-110-5 42084540731 UPPER,LOWER,ISUZU TPG-NKR85AN-EE5AHY
PO5270220-00 OUTRIGGER ASSY



AT-110-5 42084540731 UPPER,LOWER,ISUZU TPG-NKR85AN-EE5AHY
 PP5340009-01 POWER SUPPLY ASSY,ELECTRICITY (LOWER,2POLES OUTLET)



扉を開いた状態



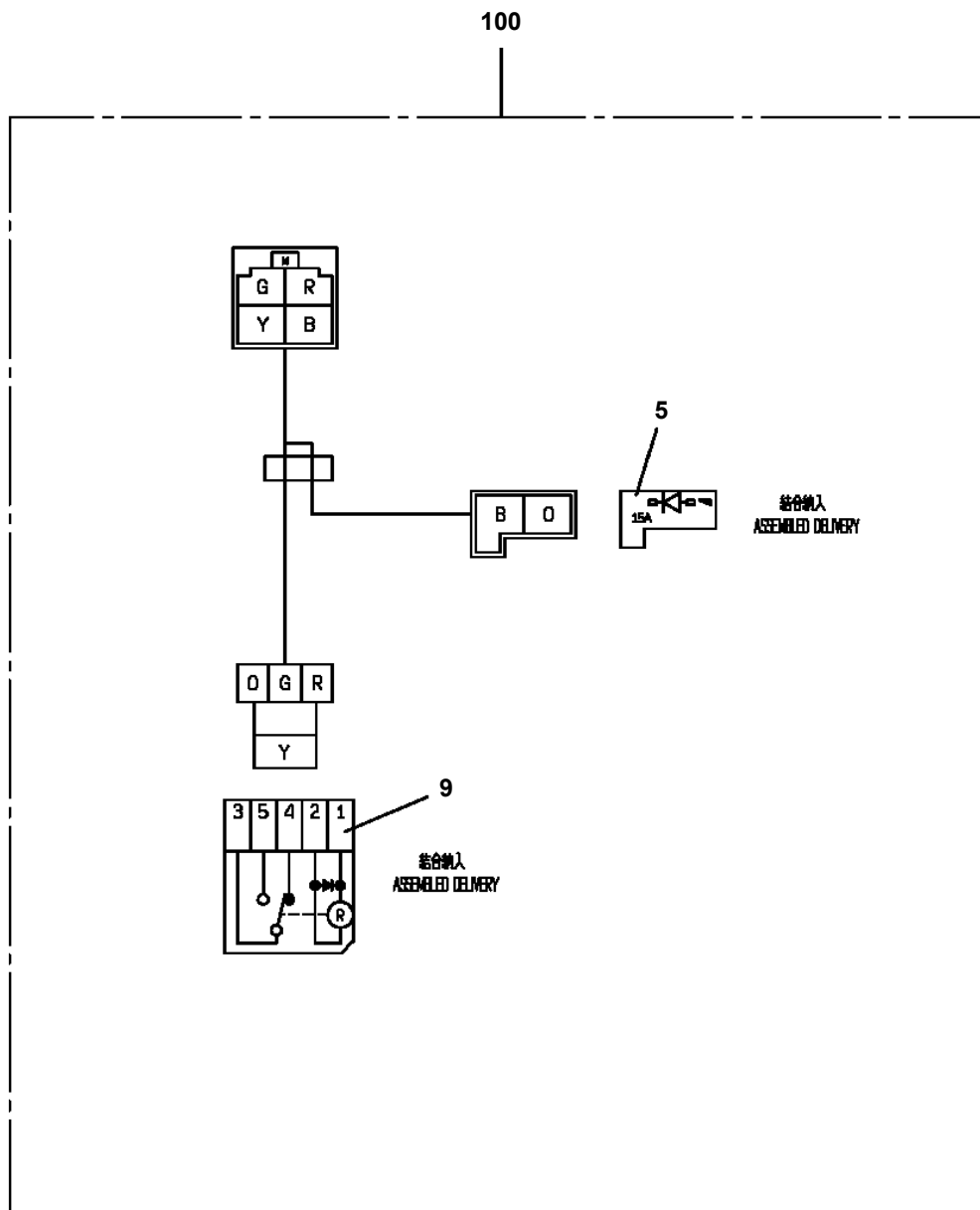
AT-110-5 42084540731 UPPER,LOWER,ISUZU TPG-NKR85AN-EE5AHY

Pos No.	Parts No	Parts Name	Qty	Unit	Technical Data	Serial No (Start)	Serial No (End)
1	42508701010	PLATE,NAME (AC100V,FUSE,15A)	1				
2	42474471150	HOLDER ASSY(FUSE,WITH HARNESS)	2				HK0881
	42501481100	HOLDER ASSY(FUSE,WITH HARNESS)	2			HK0882	
3	42654790300	BOX ASSY	1				
4	42477640090	PLATE,NAME (AC100V)	1				
5	90101208030	BOLT	2		M8X30		
6	90201200800	NUT	2		M8		
7	90302040801	WASHER,SPRING	2		8		
8	90303070801	WASHER,PLAIN	2		8		
9	42510181100	PLATE	1				
10	90101210012	BOLT	2		M10X12		
11	90302041001	WASHER,SPRING	2		10		
12	91810132530	FASTENER	1				
32	82100001348	FUSE	2		15A,6.5X30		

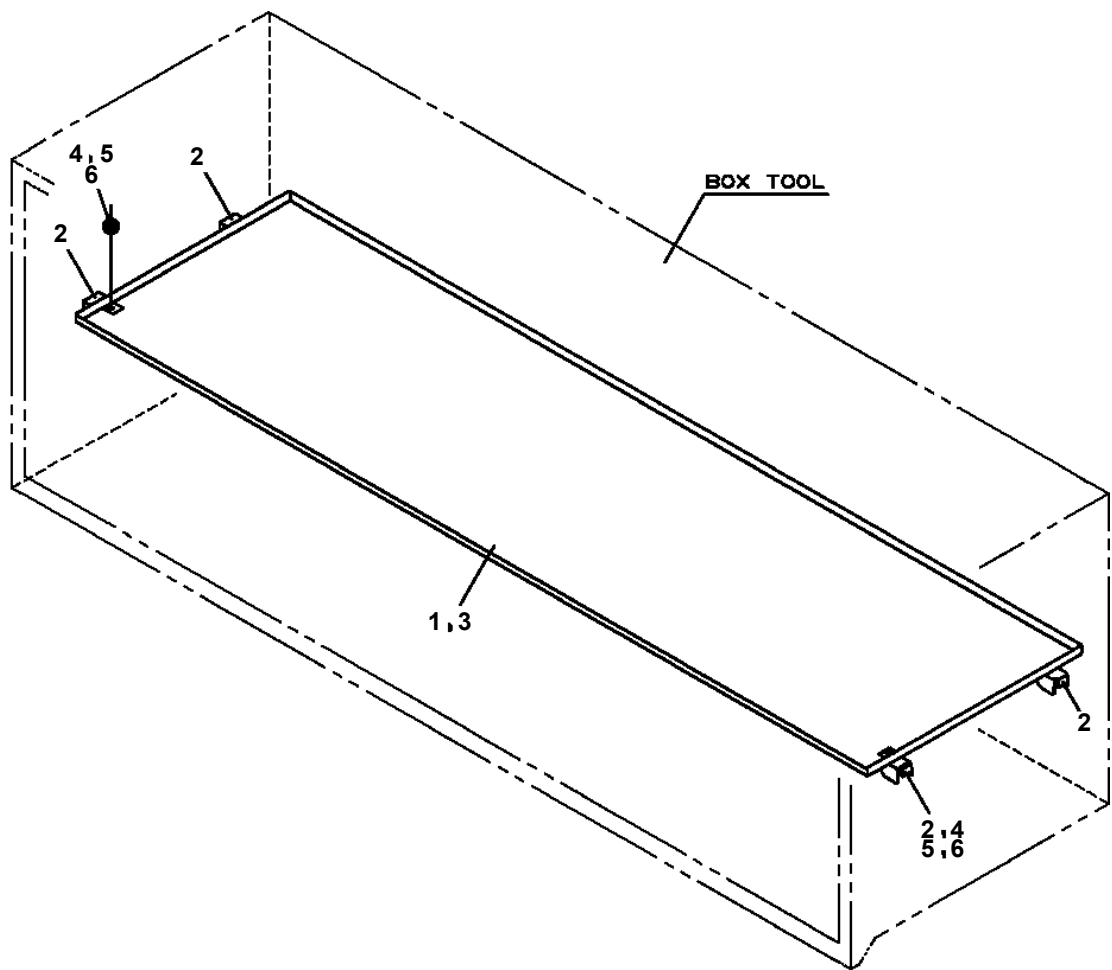
AT-110-5 42084540731 UPPER,LOWER,ISUZU TPG-NKR85AN-EE5AHY

Pos No.	Parts No	Parts Name	Qty	Unit	Technical Data	Serial No (Start)	Serial No (End)
1	42508701010	PLATE,NAME (AC100V,FUSE,15A)	1				
2	42501481100	HOLDER ASSY(FUSE,WITH HARNESS)	2				
3	42654790300	BOX ASSY	1				
4	42477640090	PLATE,NAME (AC100V)	1				
5	90180208030	BOLT,BUTTON	2		M8X30		
6	90240200800	NUT,CAP	2		M8		
7	90302040801	WASHER,SPRING	4		8		
8	90303070801	WASHER,PLAIN	4		8		
9	42511691100	SUPPORT	1				
10	90101208020	BOLT	2		M8X20		
11	91810132530	FASTENER	1				
32	82100001348	FUSE	2		15A,6.5X30		

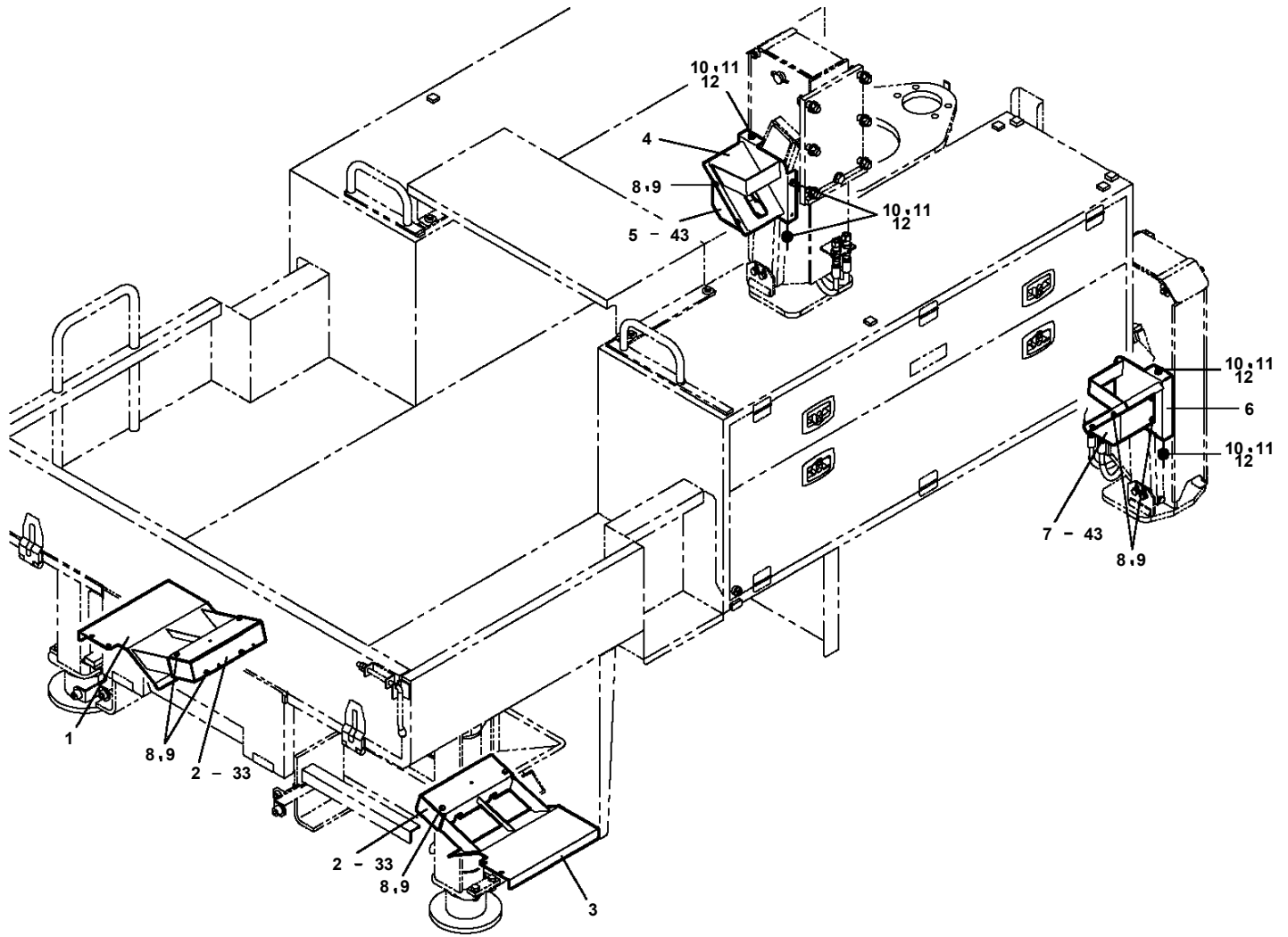
AT-110-5 42084540731 UPPER,LOWER,ISUZU TPG-NKR85AN-EE5AHY
PR5210002-00 RELAY



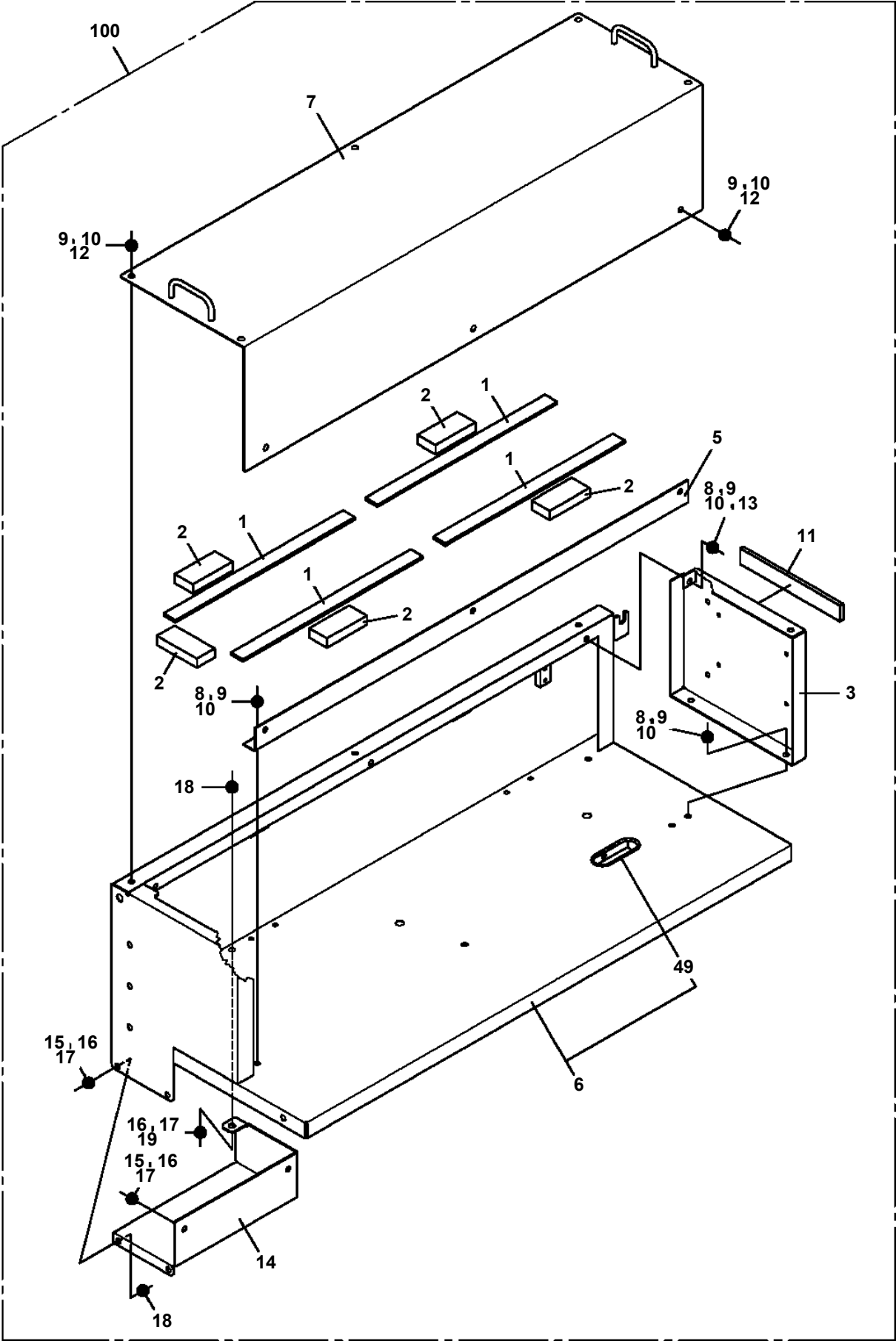
AT-110-5 42084540731 UPPER,LOWER,ISUZU TPG-NKR85AN-EE5AHY
PS5420231-00 SUPPORT ASSY (1&2-DECK TOOL BOX: LOWER SHELF,ONE SIDE)



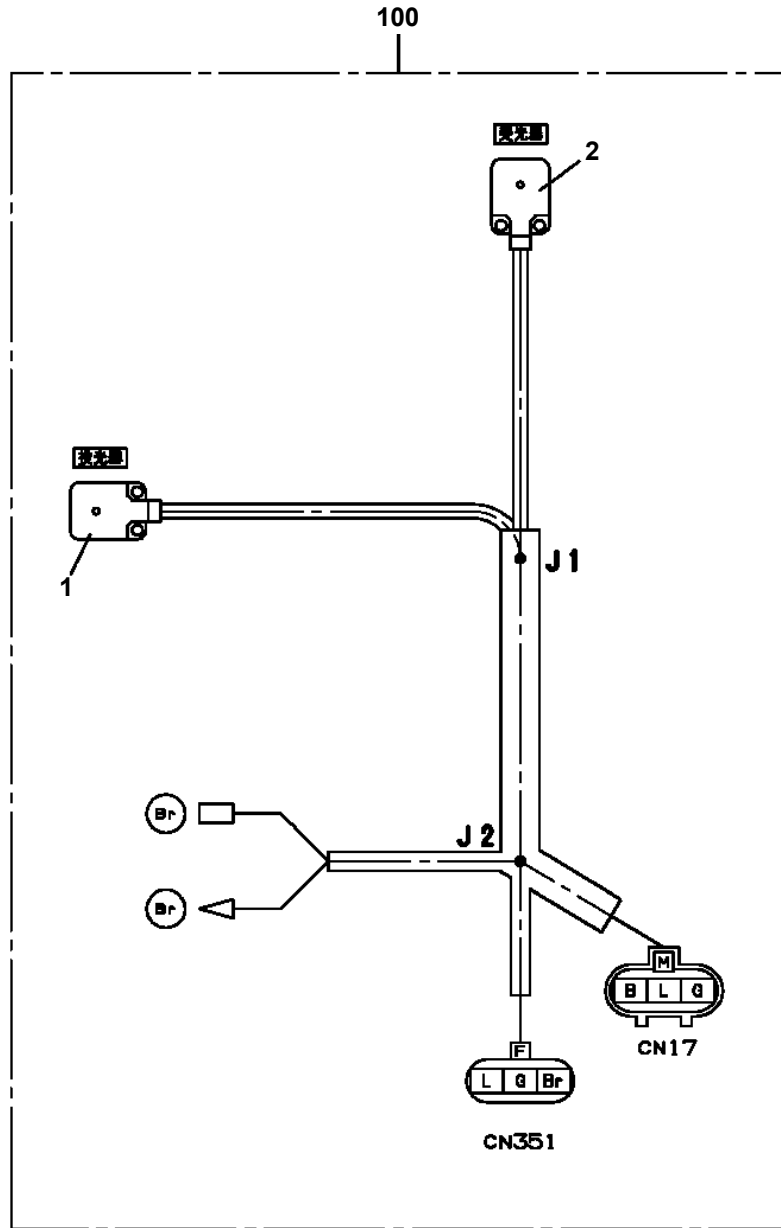
**AT-110-5 42084540731 UPPER,LOWER,ISUZU TPG-NKR85AN-EE5AHY
PS5420353-00 SUPPORT ASSY**



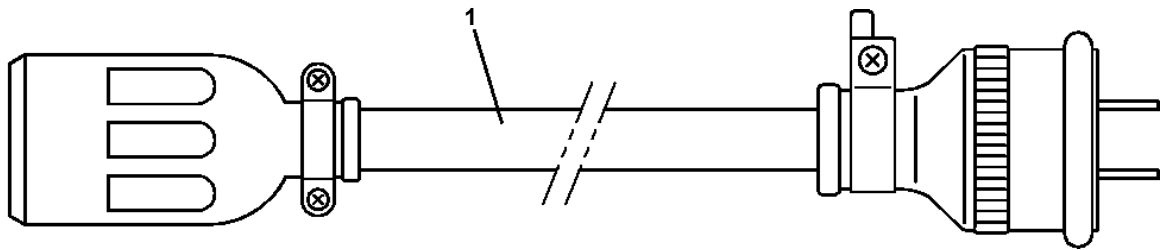
AT-110-5 42084540731 UPPER,LOWER,ISUZU TPG-NKR85AN-EE5AHY
PS5420505-00 SUPPORT ASSY



AT-110-5 42084540731 UPPER,LOWER,ISUZU TPG-NKR85AN-EE5AHY
PS5530392-00 SWITCH ASSY

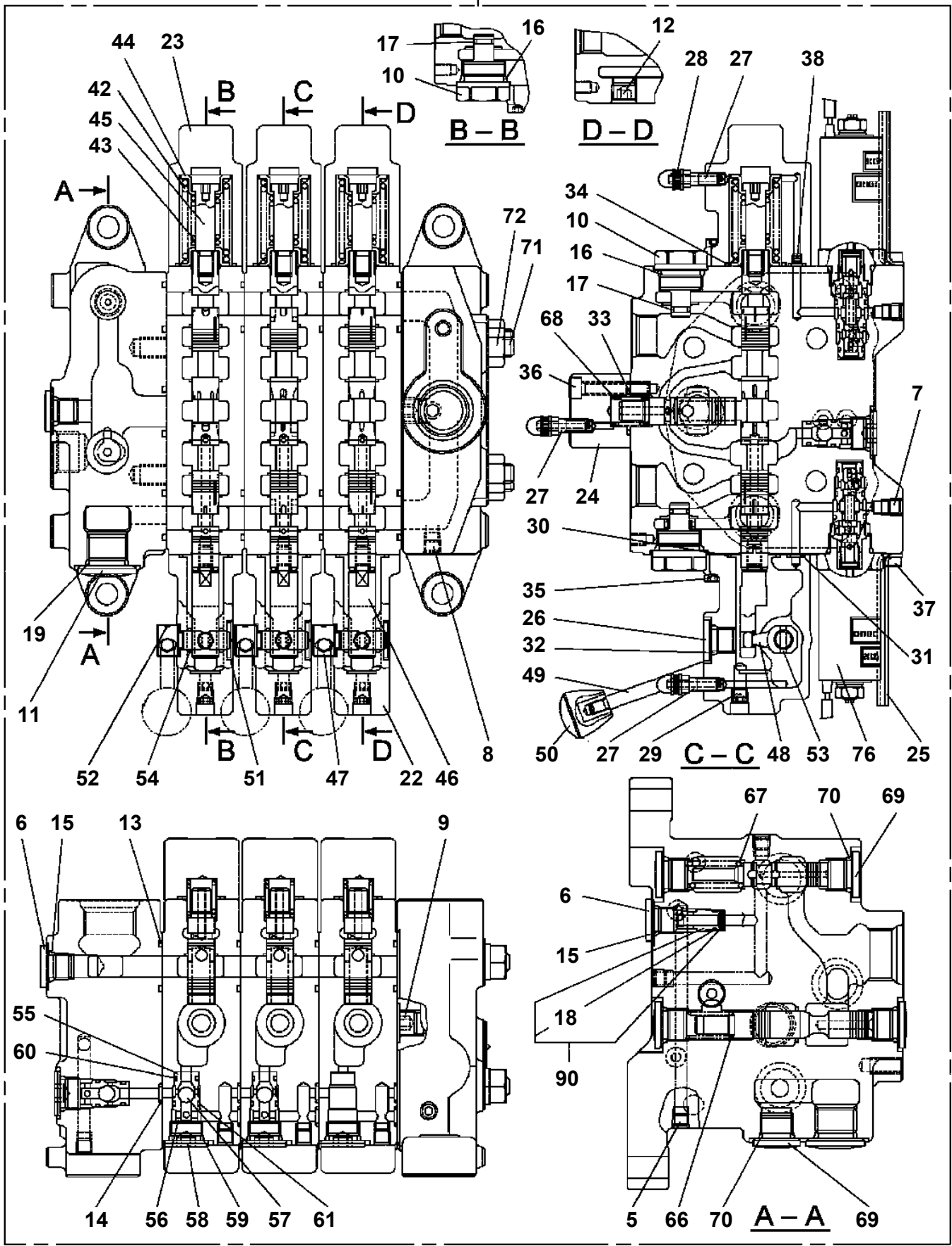


AT-110-5 42084540731 UPPER,LOWER,ISUZU TPG-NKR85AN-EE5AHY
PV1300019-00 CABLE

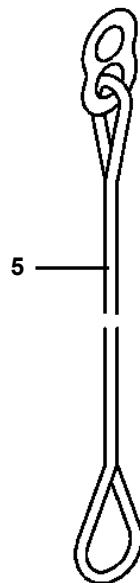
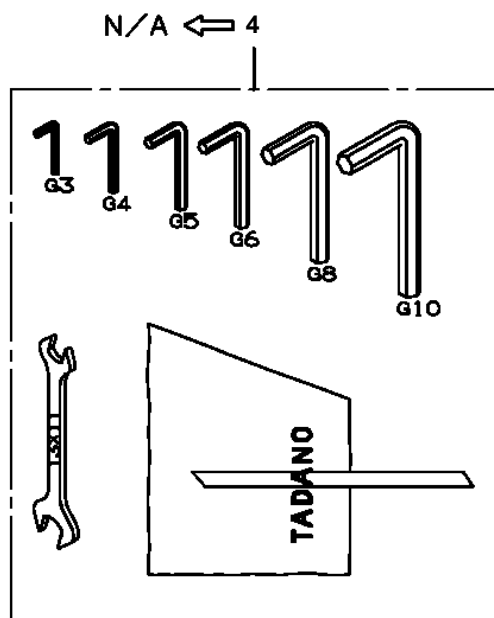
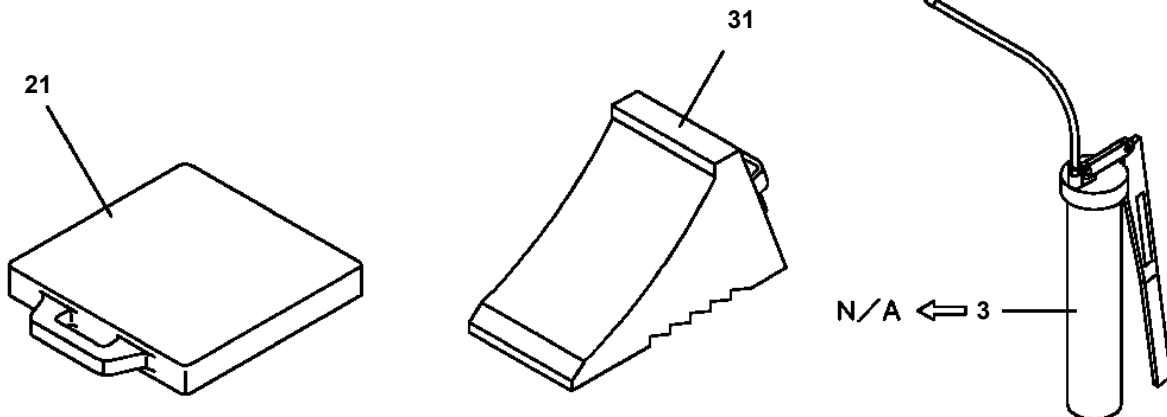


**AT-110-5 42084540731 UPPER,LOWER,ISUZU TPG-NKR85AN-EE5AHY
PV5150018-01 VALVE ASSY,REMOTE CONTROL**

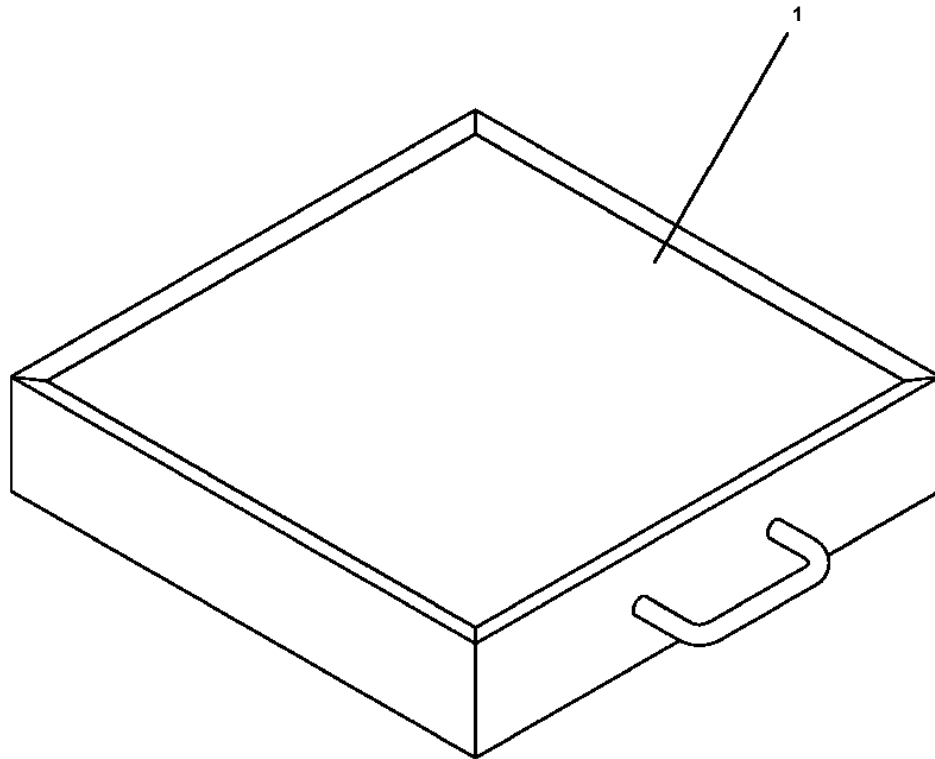
200



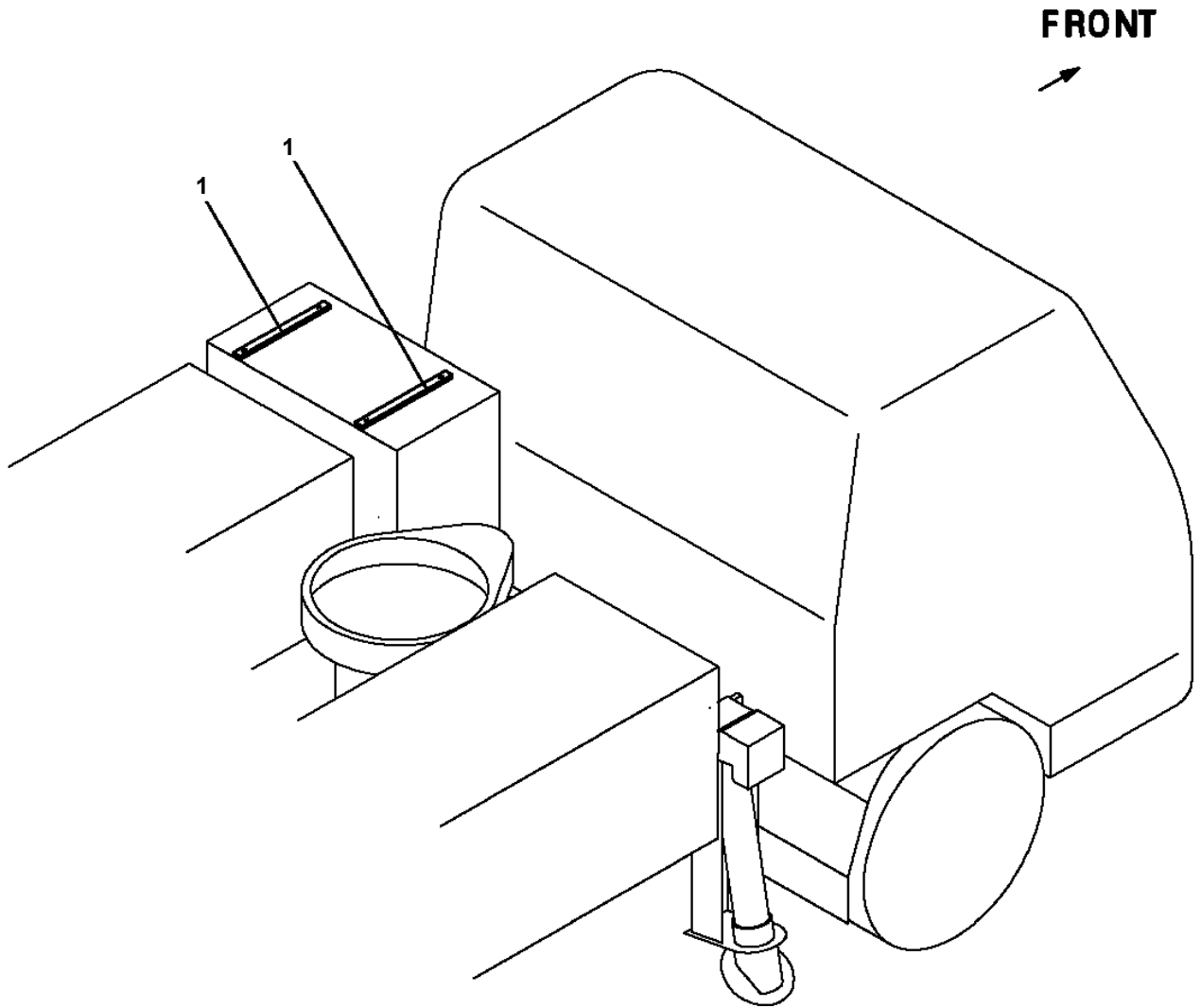
AT-110-5 42084540731 UPPER,LOWER,ISUZU TPG-NKR85AN-EE5AHY
PW1010316-01 ACCESSORIES



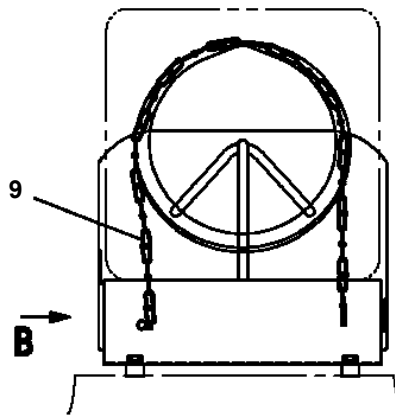
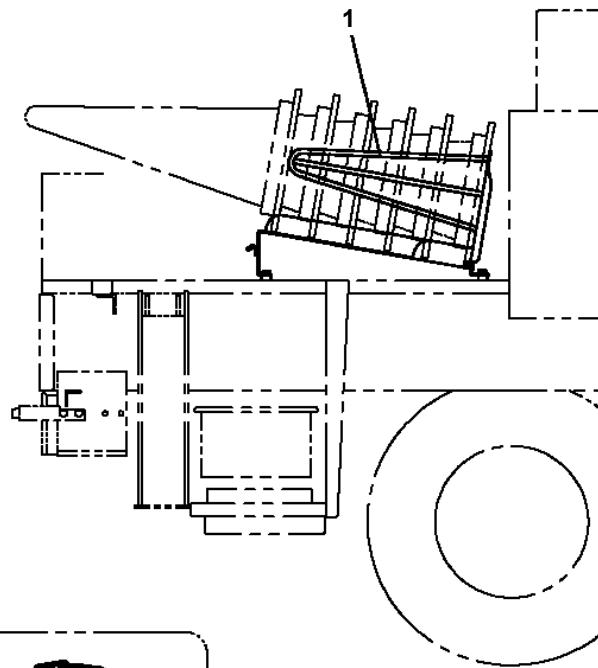
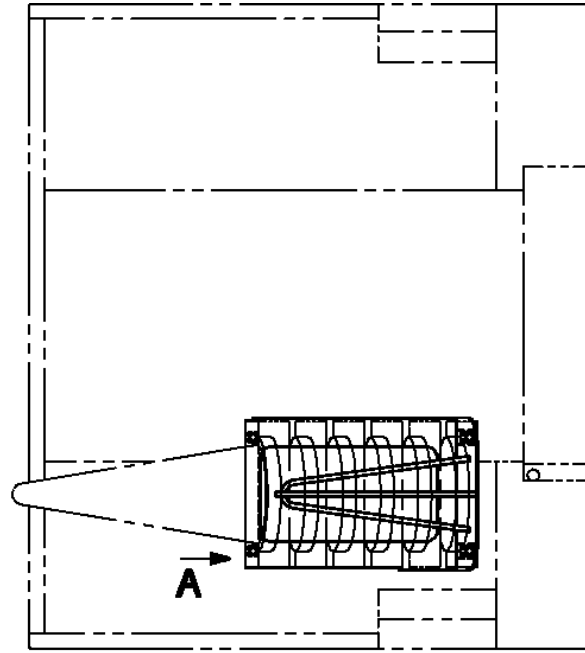
AT-110-5 42084540731 UPPER,LOWER,ISUZU TPG-NKR85AN-EE5AHY
PX1270056-00 WOOD BLOCK (OPTION)



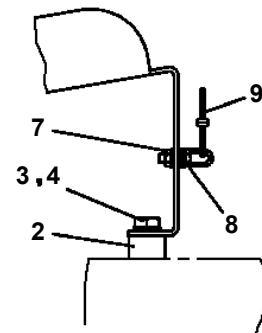
**AT-110-5 42084540731 UPPER,LOWER,ISUZU TPG-NKR85AN-EE5AHY
PX1390858-00 MODIFICATION PARTS**



**AT-110-5 42084540731 UPPER,LOWER,ISUZU TPG-NKR85AN-EE5AHY
PX5010504-00 MOUNT ASSY (SAFETY CONE SUPPORT)**

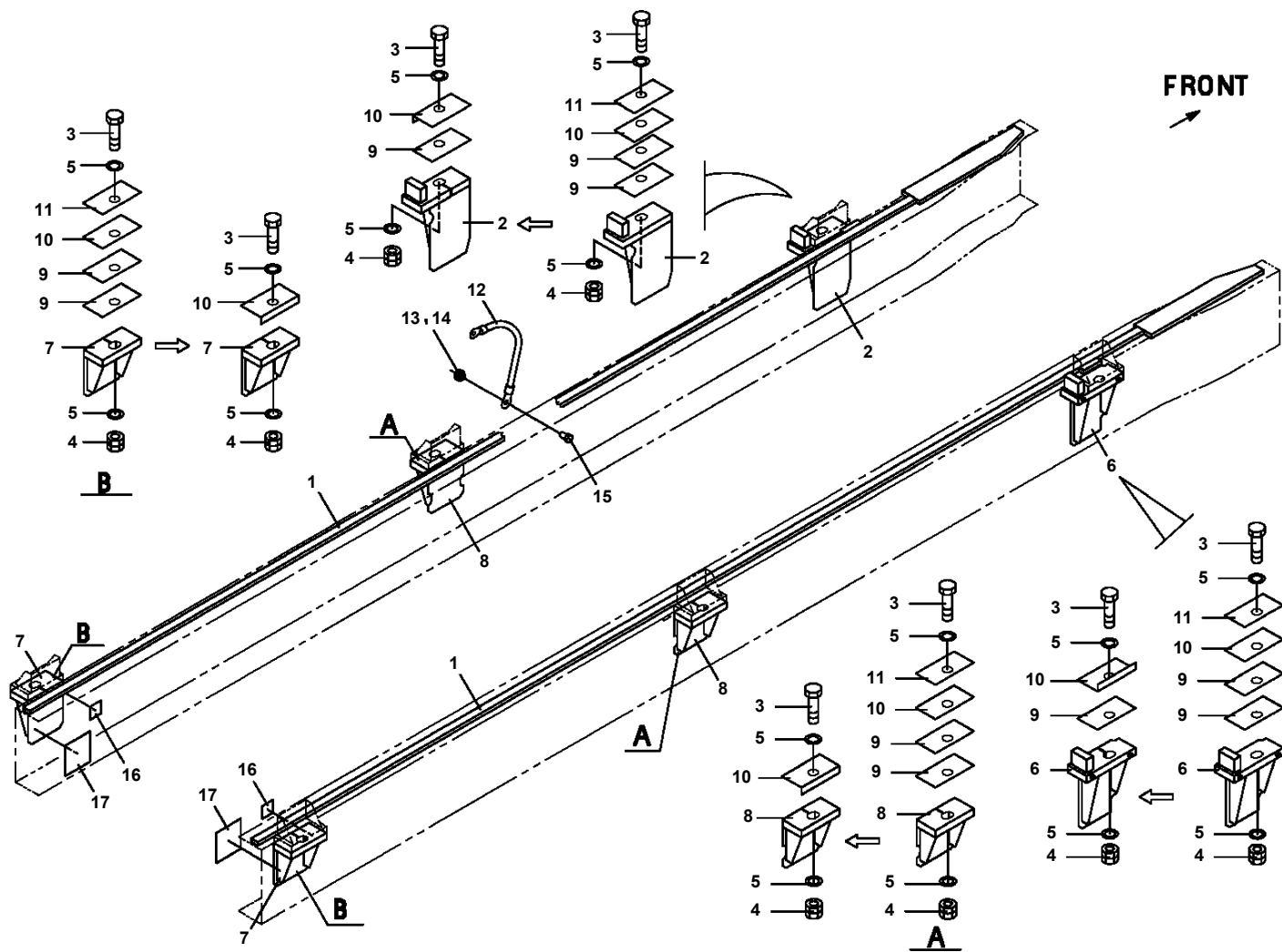


A



B

AT-110-5 42084540731 UPPER,LOWER,ISUZU TPG-NKR85AN-EE5AHY
PX5360045-01 MOUNT ASSY,FRAME



AT-110-5 42084540731 UPPER,LOWER,ISUZU TPG-NKR85AN-EE5AHY

Pos No.	Parts No	Parts Name	Qty	Unit	Technical Data	Serial No (Start)	Serial No (End)	Remarks	Pages
1	42393891100	PLATE (NON-SLIP)	1						
2	42508730030	SUPPORT	1						
3	90101210016	BOLT	3		M10X16				
4	90302041001	WASHER,SPRING	3		10				

AT-110-5 42084540731 UPPER,LOWER,ISUZU TPG-NKR85AN-EE5AHY

Pos No.	Parts No	Parts Name	Qty	Unit	Technical Data	Serial No (Start)	Serial No (End)	Remarks	Page
1	42443811000	JOINT ASSY,SWIVEL	1						000
2	90171112028	BOLT	2		M12X28				
3	90302041201	WASHER,SPRING	2		12				
4	42442800100	PLATE	1						

AT-110-5 42084540731 UPPER,LOWER,ISUZU TPG-NKR85AN-EE5AHY

Pos No.	Parts No	Parts Name	Qty	Unit	Technical Data	Serial No (Start)	Serial No (End)	Remarks	Pages
2	90101210025	BOLT	8		M10X25				
3	90302041001	WASHER,SPRING	8		10				
4	37000505950	PLATE	8		T=3.2				
6	42839100100	SUPPORT	1						
7	90101208014	BOLT	8		M8X14				
9	42839110100	SUPPORT	2						
11	90302040801	WASHER,SPRING	8		8				
12	42839101002	BOX,TOOL	1						000037
13	42839103003	BOX,TOOL	1						000043
14	37000547660	PLATE	4		T=2.3				

AT-110-5 42084540731 UPPER,LOWER,ISUZU TPG-NKR85AN-EE5AHY

Pos No.	Parts No	Parts Name	Qty	Unit	Technical Data	Serial No (Start)	Serial No (End)	Remarks	Pages
1	42839503001	BOX,TOOL	1						000041
2	42839501000	BOX,TOOL	1						000039
3	90101210025	BOLT	8		M10X25				
4	90302041001	WASHER,SPRING	8		10				
5	37000505950	PLATE	8		T=3.2				
6	42839110200	SUPPORT	1						
7	90101208014	BOLT	8		M8X14				
8	42839110100	SUPPORT	2						
11	90302040801	WASHER,SPRING	8		8				
13	90302040801	WASHER,SPRING	4		8				

AT-110-5 42084540731 UPPER,LOWER,ISUZU TPG-NKR85AN-EE5AHY

Pos No.	Parts No	Parts Name	Qty	Unit	Technical Data	Serial No (Start)	Serial No (End)	Remarks	Pages
1	42839731300	BOX,TOOL	1						000044
	42839731300	BOX,TOOL	1						000044
2	42839731100	BOX,TOOL	1						000045
	42839731100	BOX,TOOL	1						000045
3	90101210025	BOLT	8		M10X25				
	90101210025	BOLT	8		M10X25				
4	90302041001	WASHER,SPRING	8		10				
	90302041001	WASHER,SPRING	8		10				
5	37000505950	PLATE	8		T=3.2				
	37000505950	PLATE	8		T=3.2				
6	42839110200	SUPPORT	1						
	42839110200	SUPPORT	1						
7	90101208014	BOLT	8		M8X14				
	90101208014	BOLT	8		M8X14				
8	42839110100	SUPPORT	2						
	42839110100	SUPPORT	2						
11	90302040801	WASHER,SPRING	8		8				
	90302040801	WASHER,SPRING	8		8				
13	37000547660	PLATE	4		T=2.3				
	37000547660	PLATE	4		T=2.3				

AT-110-5 42084540731 UPPER,LOWER,ISUZU TPG-NKR85AN-EE5AHY

Pos No.	Parts No	Parts Name	Qty	Unit	Technical Data	Serial No (Start)	Serial No (End)	Remarks	Pages
1	42973763100	WEIGHT	1				HK2779		
	42973763101	WEIGHT	1			HK2780			

AT-110-5 42084540731 UPPER,LOWER,ISUZU TPG-NKR85AN-EE5AHY

Pos No.	Parts No	Parts Name	Qty	Unit	Technical Data	Serial No (Start)	Serial No (End)	Remarks	Pages
1	42460021000	BELT,SAFETY	1						

CLICK HERE TO **DOWNLOAD** THE COMPLETE MANUAL

- Thank you very much for reading the preview of the manual.
- You can download the complete manual from: www.heydownloads.com by clicking the link below



- Please note: If there is no response to CLICKING the link, please download this PDF first and then click on it.

CLICK HERE TO **DOWNLOAD** THE COMPLETE MANUAL