

AT-110-4 42084400075 UPPER

PD2000248-00 SWING UNIT

PG2000346-00 BOOM UNIT

PH1000550-00 SAFETY DEVICES (MOTION CONTROLLER)

PJ3000503-00 BUCKET SYSTEM

PK2001489-00 FRAME UNIT

PO1000171-00 INDICATION PLATES

PW1000118-00 ACCESSORIES & TOOLS

PY1001618-00 OPTIONS,1

PY2000164-08 OPTIONS,2 (UPPER)

ASSEMBLY

CLICK HERE TO **DOWNLOAD** THE COMPLETE MANUAL

- Thank you very much for reading the preview of the manual.
- You can download the complete manual from: www.heydownloads.com by clicking the link below



- Please note: If there is no response to CLICKING the link, please download this PDF first and then click on it.

CLICK HERE TO **DOWNLOAD** THE COMPLETE MANUAL

AT-110-4 42084400075 UPPER

Pos No.	Parts No	Parts Name	Qty	Unit	Technical Data	Serial No (Start
1	(*****)	FRAME ASSY	1			
2	(*****)	OUTRIGGER ASSY	1			
3	(*****)	OPE.ASSY,CONT.VALVE	1			
4	(*****)	PIPING ASSY,FRAME (OUTRIGGER)	1			
6	(*****)	MOUNT ASSY,BOOM SUPPORT	1			
7	(*****)	TANK SUPPORT	1			
8	(*****)	ELEC.ASSY,FRAME	1			
9	(*****)	ELEC.ASSY (LOWER CONTROLS)	1			
10	(*****)	ELEC.ASSY (EMERGENCY SW FUNCTION LIMIT CIRCUIT)	1			
11	(*****)	ELEC.ASSY (ENGINE UNIT)	1			
12	(*****)	MOUNT ASSY,ENGINE UNIT	1			
13	(*****)	PIPING ASSY,DRAIN	1			
14	(*****)	MOUNT ASSY,COVER (ENGINE UNIT)	1			

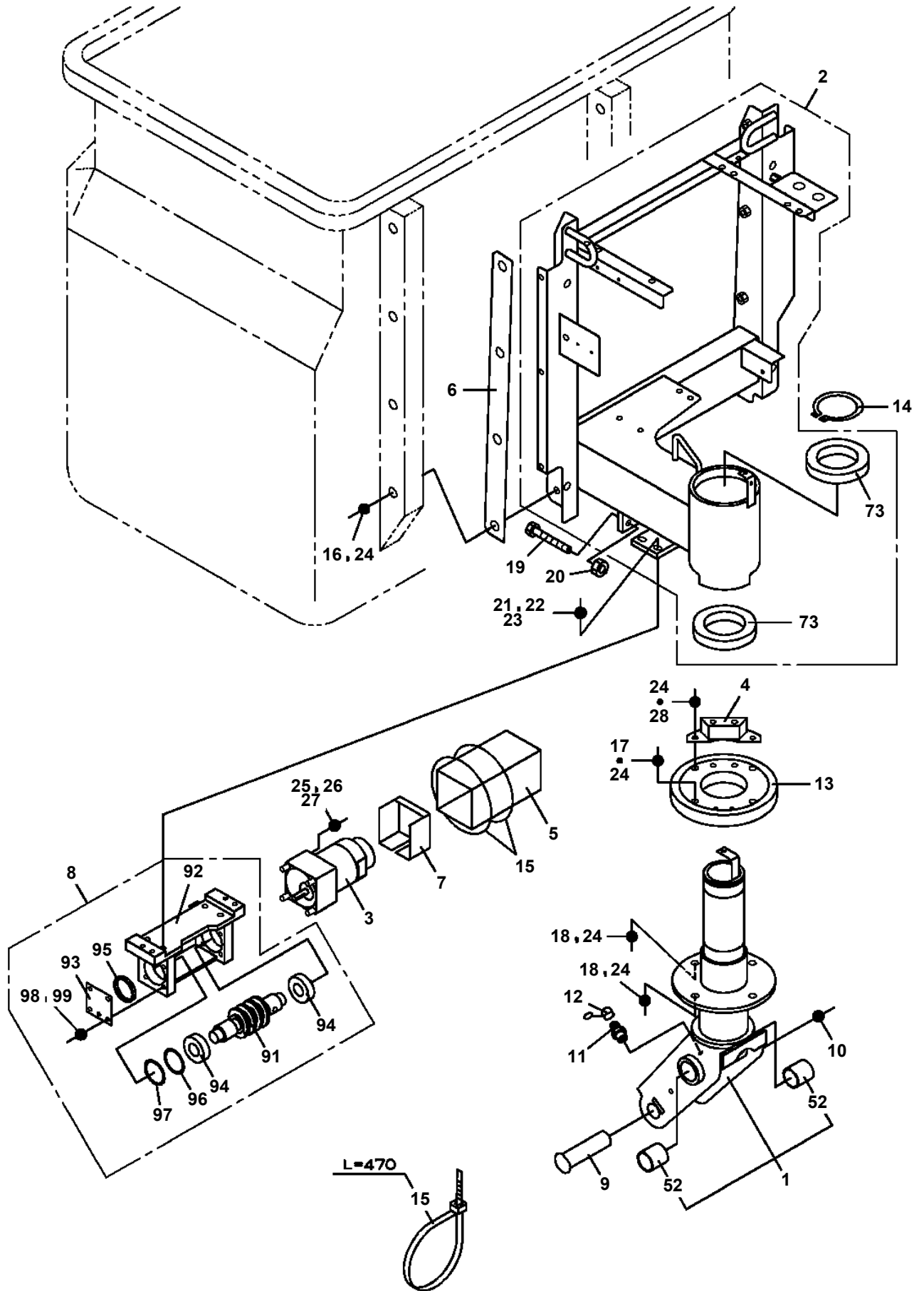
AT-110-4 42084400075 UPPER

Pos No.	Parts No	Parts Name	Qty	Unit	Technical Data	Se
1	42472640000	CLAMP HEAD (IZUMI 8TON 3.5M ELECTRIC)	1			
	42470590000	CLAMP HEAD (O.D.K 7.5TON 3M)	1			
	42473850000	CLAMP HEAD (IZUMI 8TO,3.5M)	1			
	42470020000	CLAMP HEAD (IZUMI 8TON,2.5M)	1			
	42470180000	CLAMP HEAD (IZUMI 12TON 2.5M)	1			
	42972380000	CLAMP HEAD ASSY (YONDENKO/SAFETY HOSE)	1			HK
2	(*****)	CLAMP HEAD (SANWA,12TON)	1			
	42470365000	CLAMP HEAD (SANWA,12TON,TITANIUM)	1			
	42471070000	CLAMP HEAD (O.D.K 10TON ELECTRIC)	1			
3	42470030000	CUTTER HEAD (IZUMI 6.4TON 2.5M ELECTRIC)	1			
	42470530000	CUTTER HEAD (IZUMI 6.4TON AIR)	1			
	42473190000	CUTTER HEAD (IZUMI 6.4TON 2.5M ELECTRICSANWA)	1			
	42972390000	CUTTER HEAD ASSY (YONDENKO/SAFETY HOSE)	1			HK
4	42470364000	HOSE,BOOSTER (WITH AIR BALLOON,8M)	1			
	42471800000	HOSE,BOOSTER (WITH AIR BALLOON,2M)	1			
	(*****)	HOSE,BOOSTER (WITH AIR BALLOON)	1			
	42470363000	HOSE,BOOSTER (WITH AIR BALLOON,5M)	1			
5	42472480000	HOSE,BOOSTER (FEMALE-FEMALE,3M)	1			
	42471085000	HOSE,BOOSTER (MALE-FEMALE,5M)	1			
	42471080000	HOSE,BOOSTER (MAIL-FEMALE,3M)	1			
	42471084000	HOSE,BOOSTER (MALE-FEMALE,8M)	1			
	42472130000	HOSE,BOOSTER (FEMALE-FEMALE,5M)	1			
6	(*****)	HOSE,BOOSTER (3M)	1			
7	42471561000	HOSE,BOOSTER (SMALL,WITH AIR BALLOON)	1			
	42506280000	HOSE,BOOSTER (LARGE,AIR BALLOON ONLY)	1			
11	42470983000	SWITCH BOX (ELECTRIC BOOSTER, 3M,NANABOSI,SINKOU DENKI)	1			
	42509170000	SWITCH ASSY (ELEC.BOOSTER, REMOTE:5M,NANABOSI,KASUGA)	1			
	42470984000	SWITCH BOX (ELECTRIC BOOSTER, 8M,NANABOSI,SINKOU DENKI)	1			
	42470980000	SWITCH BOX (FOR BOOSTER)	1			
	42509150000	SWITCH ASSY (ELEC.BOOSTER, REMOTE:2M,NANABOSI,KASUGA)	1			
	42509160000	SWITCH ASSY (ELEC.BOOSTER, REMOTE:3M,NANABOSI,KASUGA)	1			
	42470985000	SWITCH BOX (ELECTRIC BOOSTER, 5M,NANABOSI,SINKOU DENKI)	1			
12	(*****)	SWITCH INSTALLATION	1			
18	(*****)	PRUNER ASSY	1			
19	42471270000	DRIL,HYDRAULIC	1			
20	(*****)	WRENCH,IMPACT (HYDRAULIC)	1			
21	42460021000	BELT,SAFETY	1			
	42461162000	FALL ARREST SYSTEM (TB-LSA-550/FUJII-DENKO)	1			HK
22	42470050000	ROPE (SAFETY,1.5M,WITH HOOK)	1			
23	42472670000	ROPE (SAFETY,WHITE)	1			
24	42474540000	HANGER (FOR BUCKET,FRP)	1			
	42472650000	HANGER (FOR BUCKET)	1			
26	42473340000	STEP,BUCKET	1			
	42474030000	STEP,BUCKET (GRAY,FOR BUCKET INNER)	1			
27	42503180000	BOX,TOOL (FOR BUCKET,FRP)	1			
28	42472530000	BOX,TOOL (FOR BUCKET)	1			
29	42472990000	BOX,TOOL (FOR BUCKET)	1			
30	(*****)	WOOD BLOCK (OPTION)	4			
31	(*****)	PUMP,GREASE (400CC)	1			
32	42473931000	TOOLS	1			
33	(*****)	EARTH ASSY	1			
48	42508690000	ROPE ASSY (YELLOW)	1			
52	42461681000	WEDGE (YELLOW)	1			HK
54	42974561000	BLOCK,WOOD	1			
55	42516080000	MAT	1			

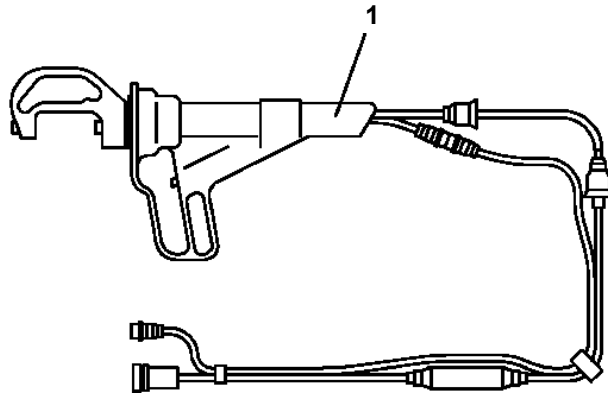
AT-110-4 42084400075 UPPER

Pos No.	Parts No	Parts Name	Qty	Unit	Technical Data	Serial No (Start)	Serial No (End)	Remarks
1	90101208016	BOLT	2		M8X16			
2	90302040801	WASHER,SPRING	2		8			
3	36630910060	NEEDLE	1					
4	36630910030	HOLDER	1					
5	91002801000	O-RING	1		1B P10			
6	91410001000	RING,BACKUP	1		P10			
8	36630910050	POPPET	1					
9	52255101000	SPRING	1					
10	91002801400	O-RING	1		1B P14			
11	36620030050	PLUG	1					
12	82400000350	KNOB	1					
13	37000508510	PLATE	1					
14	80172303006	SCREW,MACHINE	1		M3X6			
100	36636340000	VALVE,MANUAL CONTROL	1					

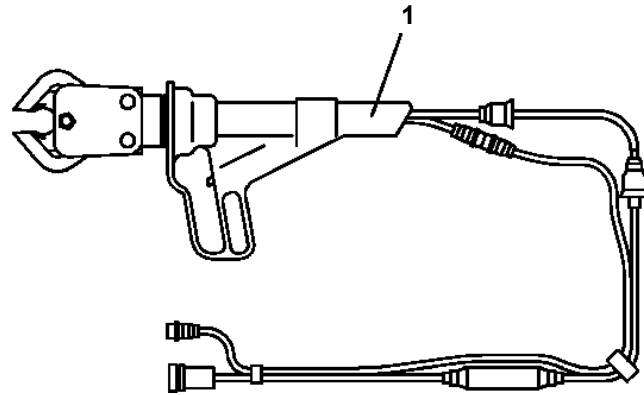
**AT-110-4 42084400075 UPPER
PB5370004-00 BUCKET FRAME ASSY**



AT-110-4 42084400075 UPPER
PC5250001-00 CLAMP HEAD ASSY (YONDENKO/SAFETY HOSE)

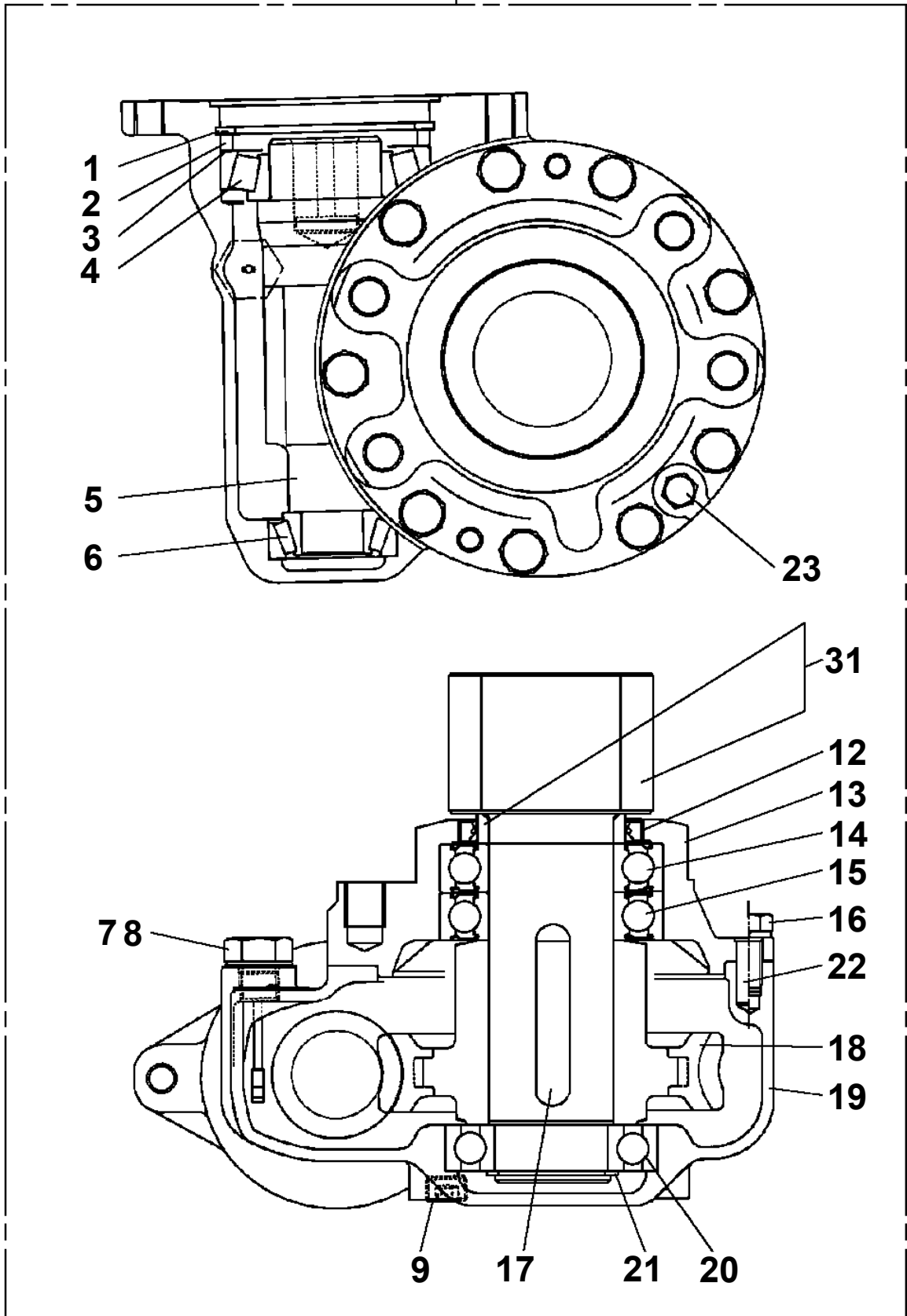


AT-110-4 42084400075 UPPER
PC5640001-00 CUTTER HEAD ASSY (YONDENKO/SAFETY HOSE)

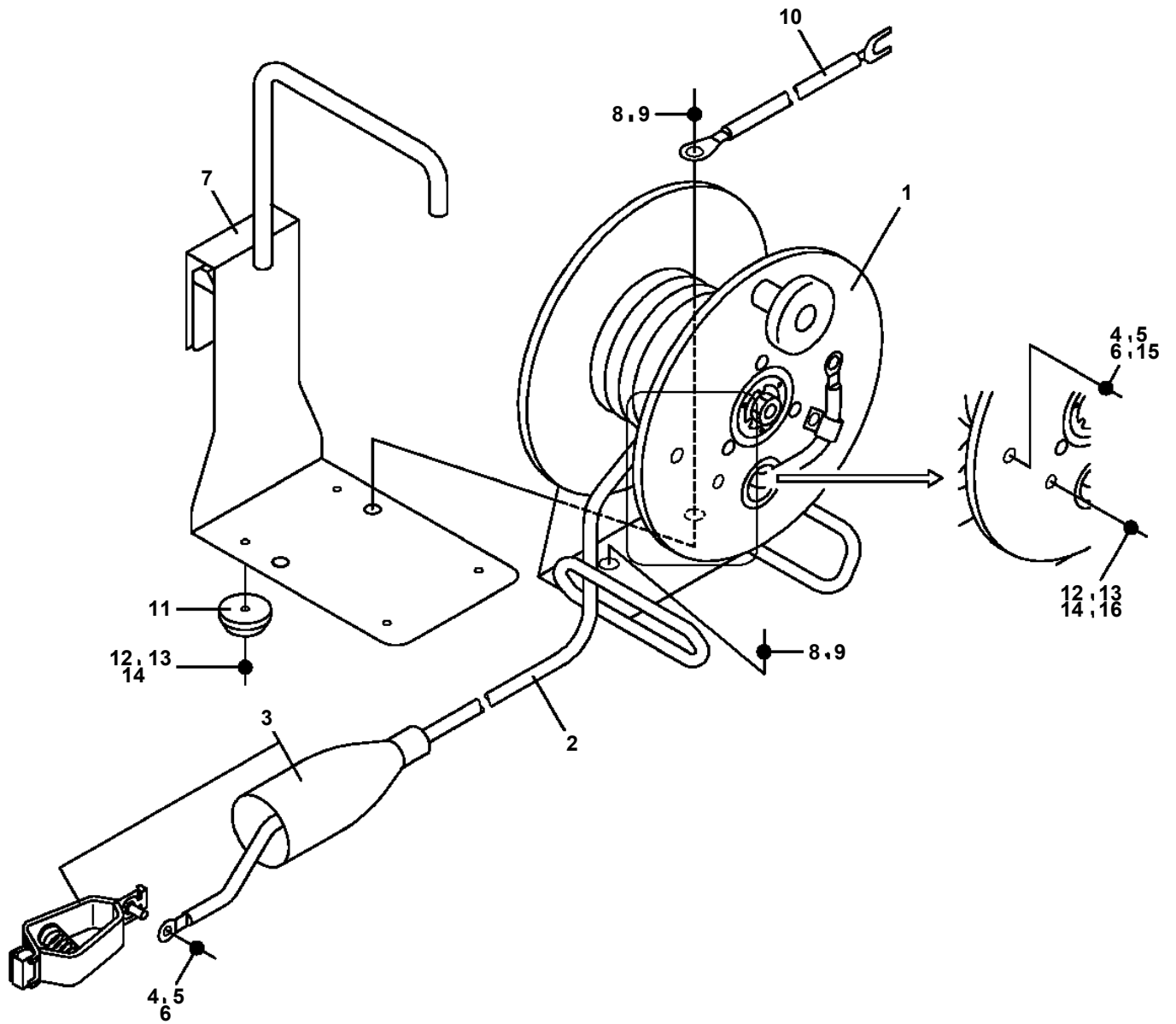


AT-110-4 42084400075 UPPER
PD1010172-00 REDUCER, SWING SPEED

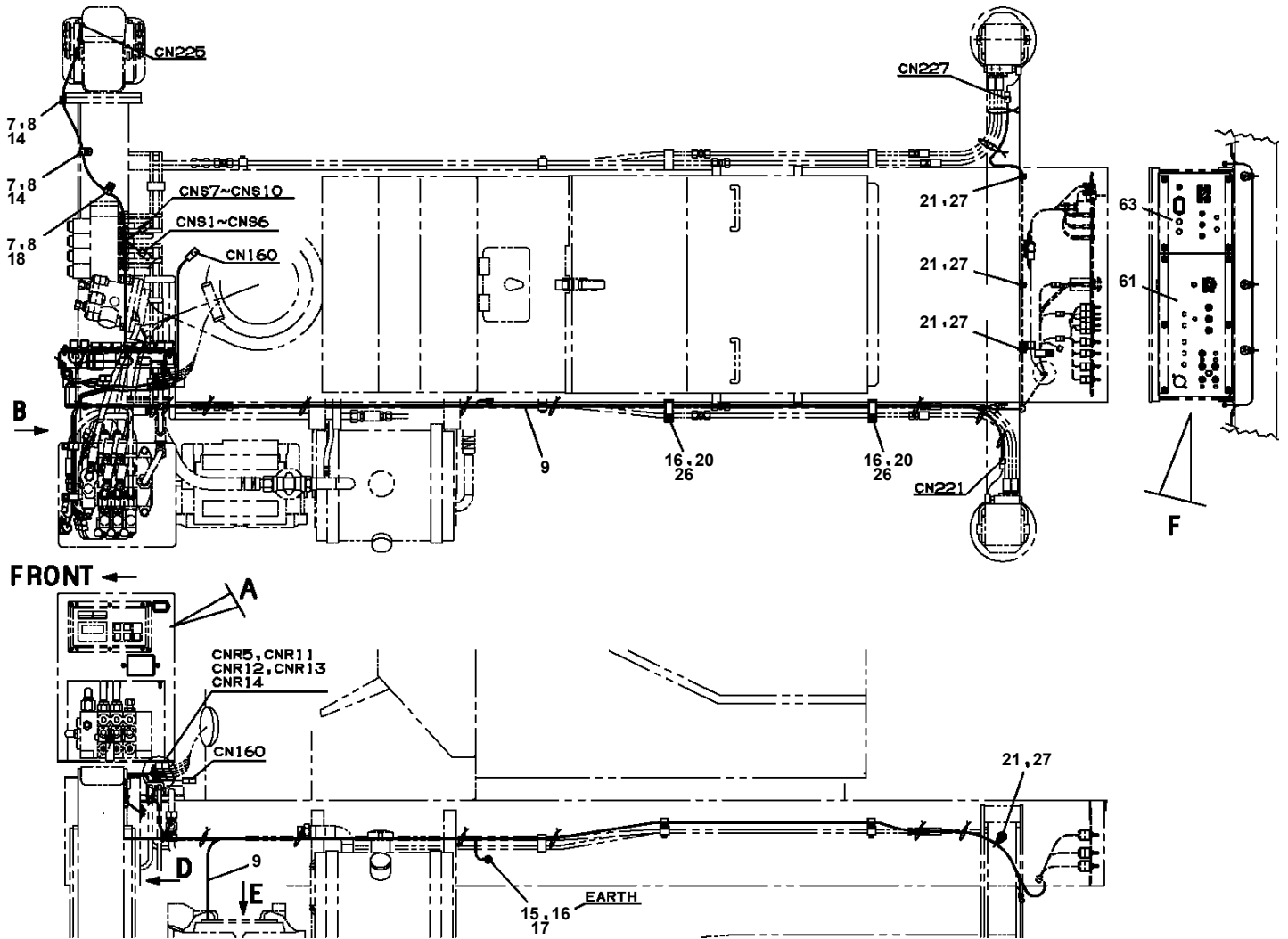
50



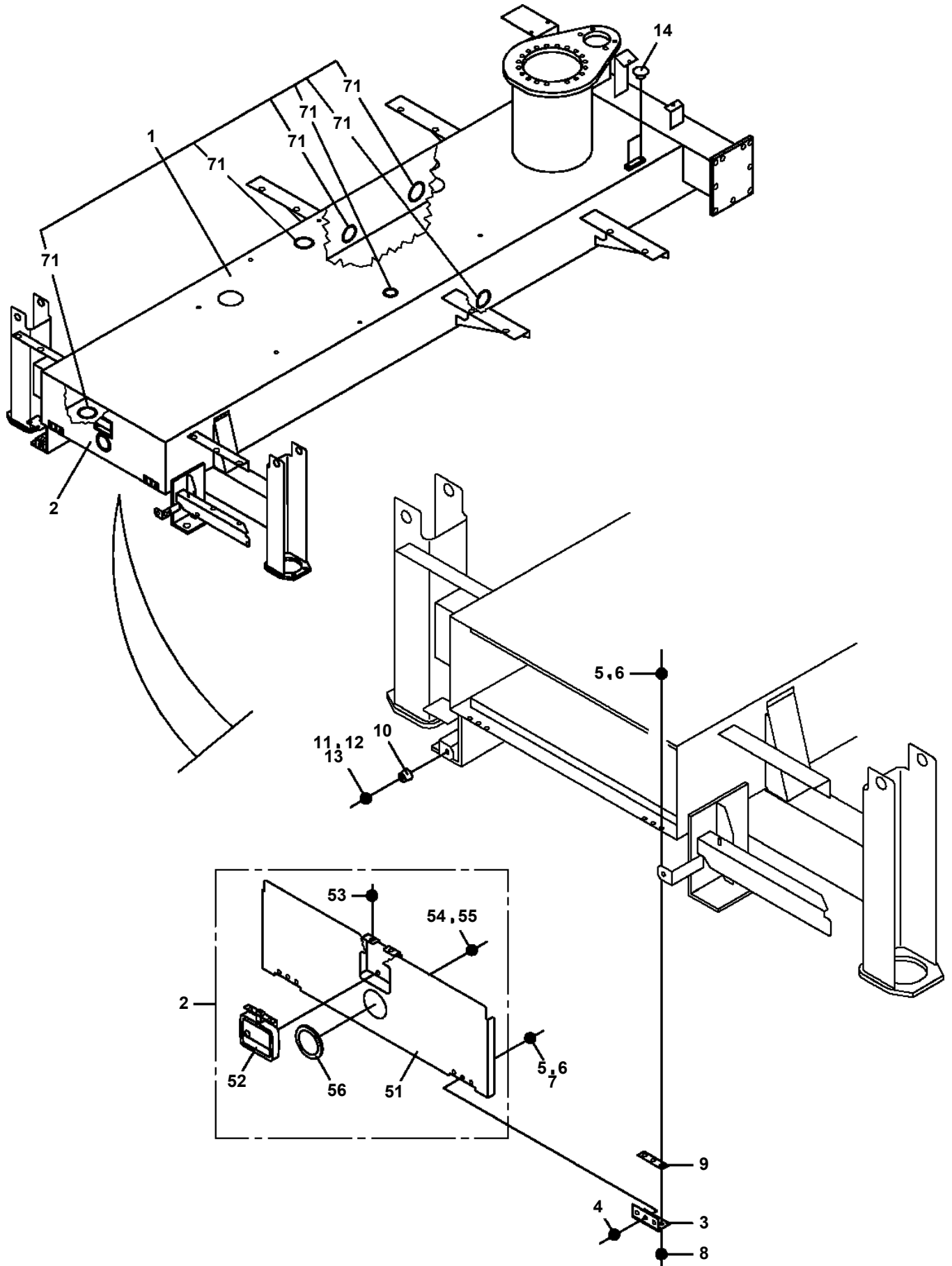
AT-110-4 42084400075 UPPER
PE5010004-01 EARTH ASSY



**AT-110-4 42084400075 UPPER
PE5110025-00 ELEC.ASSY,FRAME**



**AT-110-4 42084400075 UPPER
PF5100142-00 FRAME ASSY**



AT-110-4 42084400075 UPPER

Pos No.	Parts No	Parts Name	Qty	Unit	Technical Data	Serial No (Start)	Serial No (End)	Remark
1	91660004001	SEAL,DUST	1					
2	91430204001	RING,BACKUP	1					
3	91694004000	PACKING	1					
4	91002905500	O-RING	1		1B G55			
5	36016999510	COVER,ROD	1					
6	36018011000	ROD	1					
7	36018012000	CYLINDER	1					
8	91002902500	O-RING	1		1B G25			
9	80801004025	BEARING,PLAIN	1					
10	80612110450	RING,RITAINING	1		AR45			
11	90302042701	WASHER,SPRING	1		27			
12	90209202700	NUT	1		M27X2			
13	37000114640	PIN	1					
14	37001102380	ROLLER ASSY	1					
15	37000311320	SPACER	2		L=4			
16	80601110150	RING,RITAINING	2		15			
17	91302206000	BEARING,PLAIN	2					
18	91684006000	PACKING	2					
19	36016990200	PISTON	1					
20	91431205001	RING,BACKUP	2					
21	91002906500	O-RING	1		1B G65			
22	36013010200	PLATE	1					
42	36018279900	PACKING SET	1		40X60			
51	80516006002	BEARING,BALL	1					
52	80602110320	RING,RITAINING	1		R32			
101	36018010000	CYLINDER,TELESCOPING	1					
102	90303071201	WASHER,PLAIN	4		12			
103	90172108065	BOLT,HEXAGON SOCKET	3		M8X65			
104	36605510001	VALVE,COUNTERBALANCE	1					
105	90201201200	NUT	6		M12			
106	90171212080	BOLT	2		M12X80			

AT-110-4 42084400075 UPPER

Pos No.	Parts No	Parts Name	Qty	Unit	Technical Data	Serial No (Start)	Serial No (End)	Remarks	Pages
15	82182809623	DIODE	4						
100	42422455100	HARNESS	1						

AT-110-4 42084400075 UPPER

Pos No.	Parts No	Parts Name	Qty	Unit	Technical Data	Serial No (Start)	Serial No (End)	Remarks	Pages
1	42501120101	HARNESS	1		L=400				

AT-110-4 42084400075 UPPER

Pos No.	Parts No	Parts Name	Qty	Unit	Technical Data	Serial No (Start)	Serial No (End)	Remarks	Pages
100	42502311200	HARNESS	1						

AT-110-4 42084400075 UPPER

Pos No.	Parts No	Parts Name	Qty	Unit	Technical Data	Serial No (Start)	Serial No (End)	Remarks	Pages
100	42653960010	HARNESS	1						

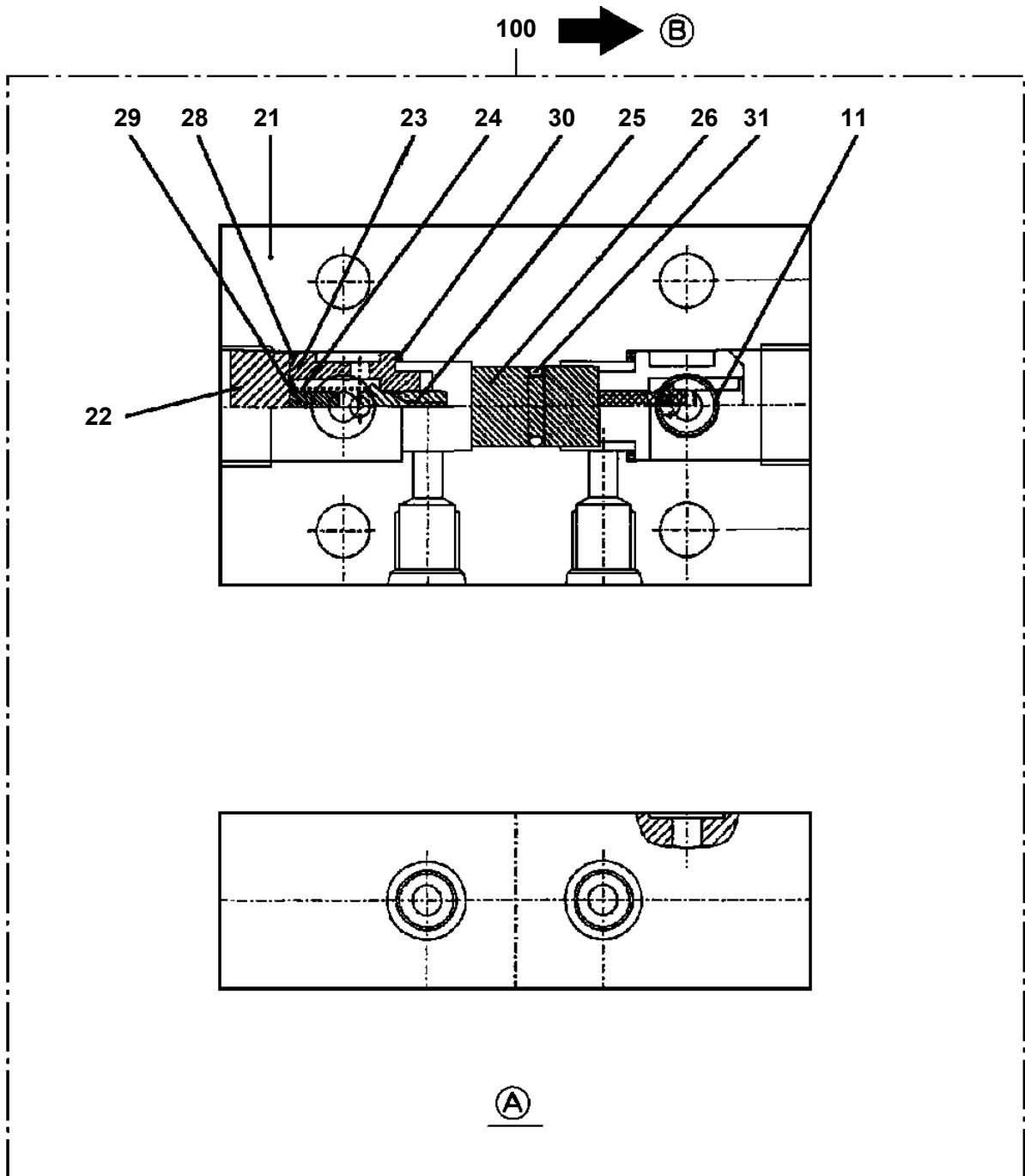
AT-110-4 42084400075 UPPER

Pos No.	Parts No	Parts Name	Qty	Unit	Technical Data	Serial No (Start)	Serial No (End)	Remarks	Pages
100	42333081100	HARNESS	1						

AT-110-4 42084400075 UPPER

Pos No.	Parts No	Parts Name	Qty	Unit	Technical Data	Serial No (Start)	Serial No (End)	Remarks	Pages
3	36605115010	POPPET	1						
6	36605115020	PLUNGER	1						
7	70320127520	BUSH	1						
9	70320127540	SPRING	1						
10	70320027625	SPRING	1						
12	36605115040	SCREW	1						
14	80316030020	PLUG	2		PT1/8				
15	80316030010	PLUG	1		NPTF1-16				
16	91002800900	O-RING	4		1B P9				
17	91001101001	O-RING	1		1A P10A				
18	91002801400	O-RING	1		1B P14				
19	91002801800	O-RING	1		1B P18				
20	91000501300	O-RING	1		AS568-013				
21	36602775040	KNOB (A)	1						
22	36602775050	KNOB	1						
23	36605115050	SCREW	1						
50	36605110000	VALVE,RELIEF	1						

AT-110-4 42084400075 UPPER
PI1140133-01 VALVE,CHECK



AT-110-4 42084400075 UPPER

Pos No.	Parts No	Parts Name	Qty	Unit	Technical Data	Serial No (Start)	Serial No (End)	Remarks	Pages
12	91002801400	O-RING	2		1B P14				
100	36625740001	VALVE,CHECK	1						

AT-110-4 42084400075 UPPER

Pos No.	Parts No	Parts Name	Qty	Unit	Technical Data	Serial No (Start)	Serial No (End)
1	(***** 42264200600	BUCKET (WHITE/WITHOUT BOSS)	1				
2	(***** 42264200600	BUCKET (WHITE/WITHOUT BOSS)	1			HK1988	
3	(***** 42264200600	ACCESSORIES (MAT)	1				
4	(***** 42264200600	COVER (BUCKET/CLOTH:WHITE)	1				HK0421
13	(***** 42509510000	COVER	1				
	(***** 42509510000	COVER ASSY (BUCKET/CLOTH:WHITE)	1			HK0422	

AT-110-4 42084400075 UPPER

Pos No.	Parts No	Parts Name	Qty	Unit	Technical Data	Serial No (Start)	Serial No (End)	Remarks	Pages
1	42442840100	COVER	1						
3	42442840200	COVER	1						
4	42442840300	COVER	1						
5	42442840400	COVER	1						
6	42442840500	COVER	1						
7	90303070801	WASHER,PLAIN	N		8				
9	90183108015	BOLT	10		M8X15				
12	82420506412	TRIM	1	M					
13	42442840010	PLATE	1						
14	42442840020	PLATE	1						
15	90183108030	BOLT	2		M8X30				
16	90183108040	BOLT	4		M8X40				
17	82401800080	PLUG (FOR M8)	2			HK0645			

AT-110-4 42084400075 UPPER

Pos No.	Parts No	Parts Name	Qty	Unit	Technical Data	Serial No (Start)	Serial No (End)	Remarks
1	36641710000	VALVE,REMOTE CONTROL	1					
2	80430620600	JOINT (WITH O-RING)	2		L,G3/8-G3/8			
3	37000925870	JOINT	4		PF1/2-PF3/8			
4	91002801800	O-RING	6		1B P18			
5	80302090151	FITTING	2		KCO12-040N			
6	37000925660	JOINT	1		S,G3/4-G1/2			
7	80302090251	FITTING	1		KCO018-060N			
8	91002802400	O-RING	2		1B P24			
9	37000908720	JOINT (WITH O-RING)	2		PF1/2-PF3/8			
10	80491303030	JOINT (WITH O-RING)	2		L,PF3/8-PF3/8			
31	91002801400	O-RING	4		1B P14			
41	91002801800	O-RING	2		1B P18			

AT-110-4 42084400075 UPPER

Pos No.	Parts No	Parts Name	Qty	Unit	Technical Data	Serial No (Start)	Serial No (End)	Remarks	Pages
1	42502153100	SUPPORT	2						

AT-110-4 42084400075 UPPER

Pos No.	Parts No	Parts Name	Qty	Unit	Technical Data	Serial No (Start)	Serial No (End)	Remarks	Pages
1	42355791000	DETECTOR,ANGLE	1						
2	80172805014	SCREW,MACHINE	2		M5X14				
3	90303520501	WASHER,PLAIN	4		5				
4	90201500500	NUT	2		M5				
5	90302510501	WASHER,SPRING	2		5				
6	42355790100	SUPPORT	1						
7	90101206010	BOLT	2		M6X1.0		HK0296		
	90101206010	BOLT	1		M6X1.0	HK0297			
8	90302040601	WASHER,SPRING	4		6		HK0296		
	90302040601	WASHER,SPRING	3		6	HK0297			
9	42356460100	SUPPORT	1						
10	37005700010	CLAMP	2		12X1				
11	37000601110	CLAMP	2						
12	37000601410	CUSHION	4						
13	90302040801	WASHER,SPRING	2		8				
14	90171108035	BOLT	2		M8X35				
15	82100002002	CLAMP	3		WR6				
16	91810130240	FASTENER	10						
17	90280200600	NUT,FLANGE	2		M6				
18	90303070601	WASHER,PLAIN	1		6		HK0296		
21	90183108030	BOLT	2		M8X30				
22	42502311800	SUPPORT	1						
23	42502311900	SUPPORT	1						
24	90101206012	BOLT	2		M6X12		HK0296		
	90101206012	BOLT	3		M6X12	HK0297			
25	37000521100	PLATE	1						
26	90710005080	SCREW,SET	1		M5X8				
28	90201200600	NUT	1		M6	HK0297			

AT-110-4 42084400075 UPPER

Pos No.	Parts No	Parts Name	Qty	Unit	Technical Data	Serial No (Start)	Serial No (End)
1	42653852110	PANEL	1				
2	42651591300	SWITCH ASSY (WITH HARNESS,3 SW)	1				
3	42332521300	SWITCH ASSY (WITH HARNESS)	1				
4	42809631200	LAMP ASSY (RED,WITH HARNESS)	1				
5	42651593400	SWITCH ASSY (WITH HARNESS,1 SW)	1				
6	42433932200	SWITCH ASSY (WITH HARNESS,1 SW)	1				
7	42653852400	SWITCH ASSY	1				
8	42433932100	SWITCH ASSY (WITH HARNESS,1 SW)	1				
9	42653673600	SWITCH ASSY (WITH HARNESS,5 SW)	1				
10	42650551130	LAMP ASSY (GREEN)	1				
11	42900001200	COVER	1				
12	91810130240	FASTENER	1				
41	42355641010	COVER	1				
51	42355641210	BUTTON	1				
61	82100005005	LENS (GREEN)	1				
100	42653852100	SWITCH PANEL	1				

CLICK HERE TO **DOWNLOAD** THE COMPLETE MANUAL

- Thank you very much for reading the preview of the manual.
- You can download the complete manual from: www.heydownloads.com by clicking the link below



- Please note: If there is no response to CLICKING the link, please download this PDF first and then click on it.

CLICK HERE TO **DOWNLOAD** THE COMPLETE MANUAL

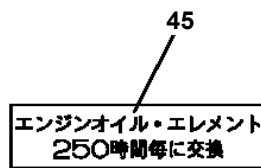
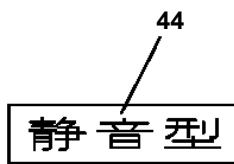
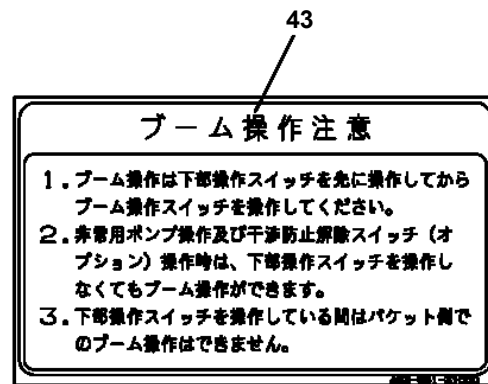
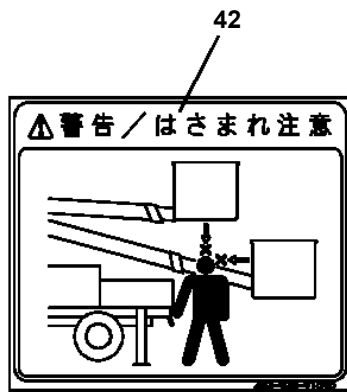
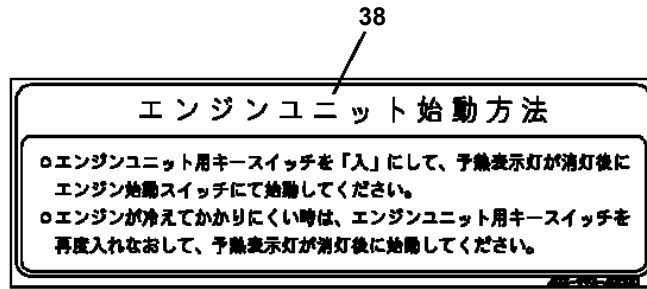
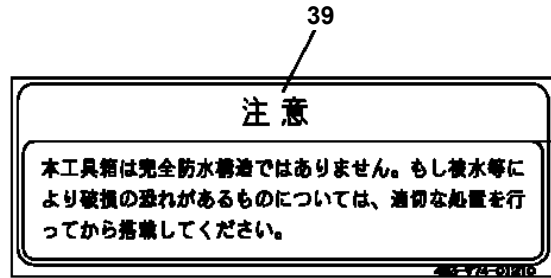
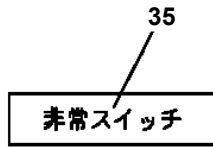
AT-110-4 42084400075 UPPER

Pos No.	Parts No	Parts Name	Qty	Unit	Technical Data	Serial No (Start)	Serial No (End)	Remarks
1	42643051000	SWITCH ASSY (THERMO)	1					

AT-110-4 42084400075 UPPER

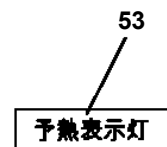
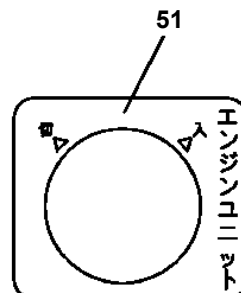
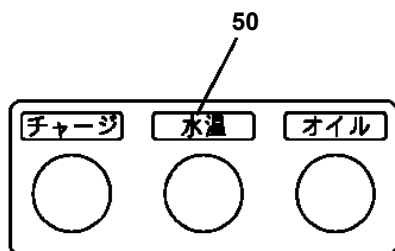
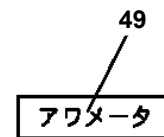
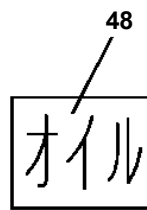
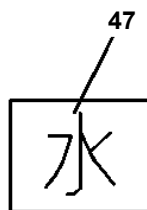
Pos No.	Parts No	Parts Name	Qty	Unit	Technical Data	Serial No (Start)	Serial No (End)	Remarks	Pages
1	91810132530	FASTENER	5						
2	90201200600	NUT	1		M6				
3	90302040601	WASHER,SPRING	1		6				
4	82400000203	GROMMET	1		L=250				
5	42476303100	CABLE ASSY	1		L=1000				
6	82100002006	CLAMP	1		WR10				
27	82122910400	CAP	1						

AT-110-4 42084400075 UPPER
 PN5010612-00 NAME PLATE ASSY (VEHICLE)

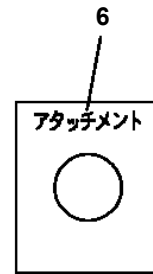
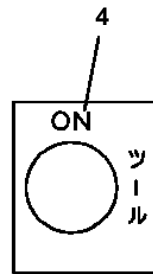
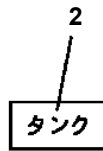
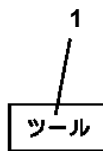
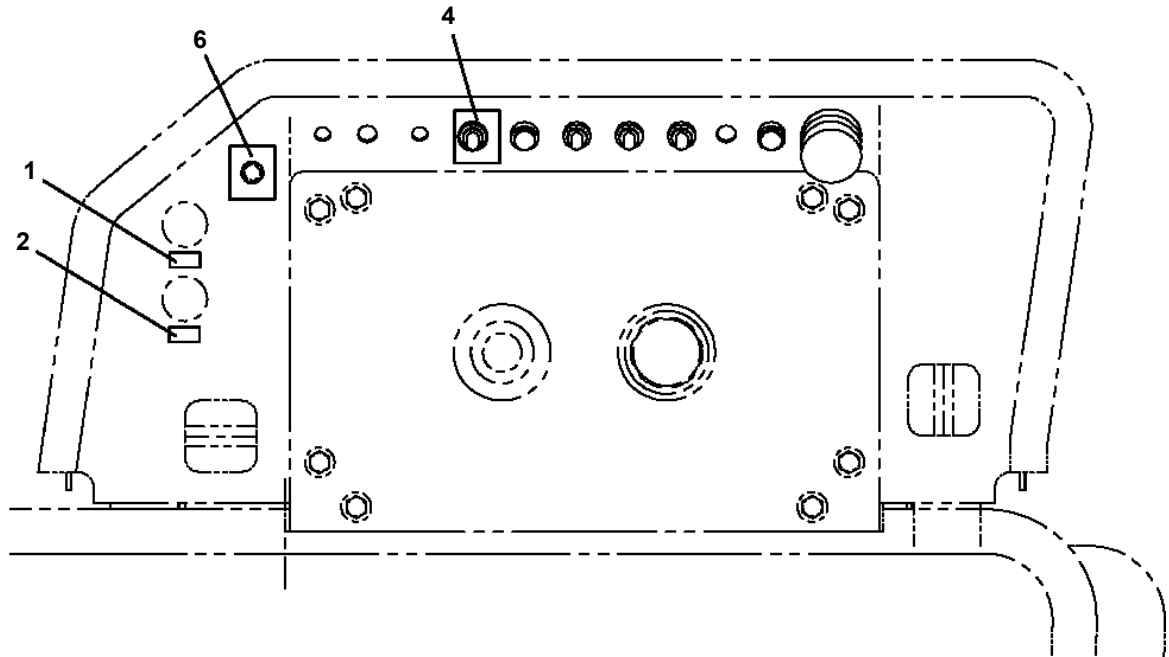


46

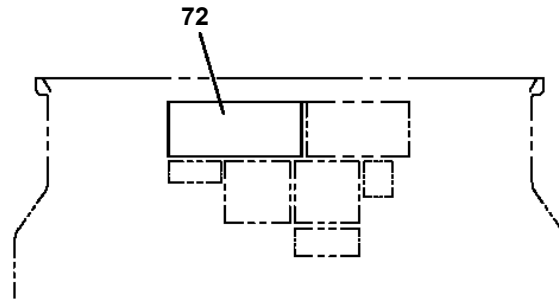
IOA	SA	IOA	IOA	IOA	IOA	SA
?	?	?	?	?	?	?
?	?	?	?	?	?	?



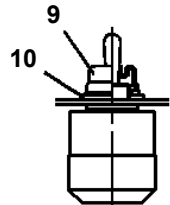
AT-110-4 42084400075 UPPER
PO1014922-01 PLATE ASSY,NAME (TOOL,ATTACHMENT,TANK)



AT-110-4 42084400075 UPPER
PO5050036-00 OPE.ASSY,BUCKET

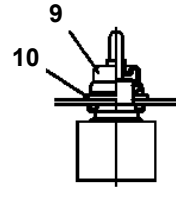


B
バケット内面



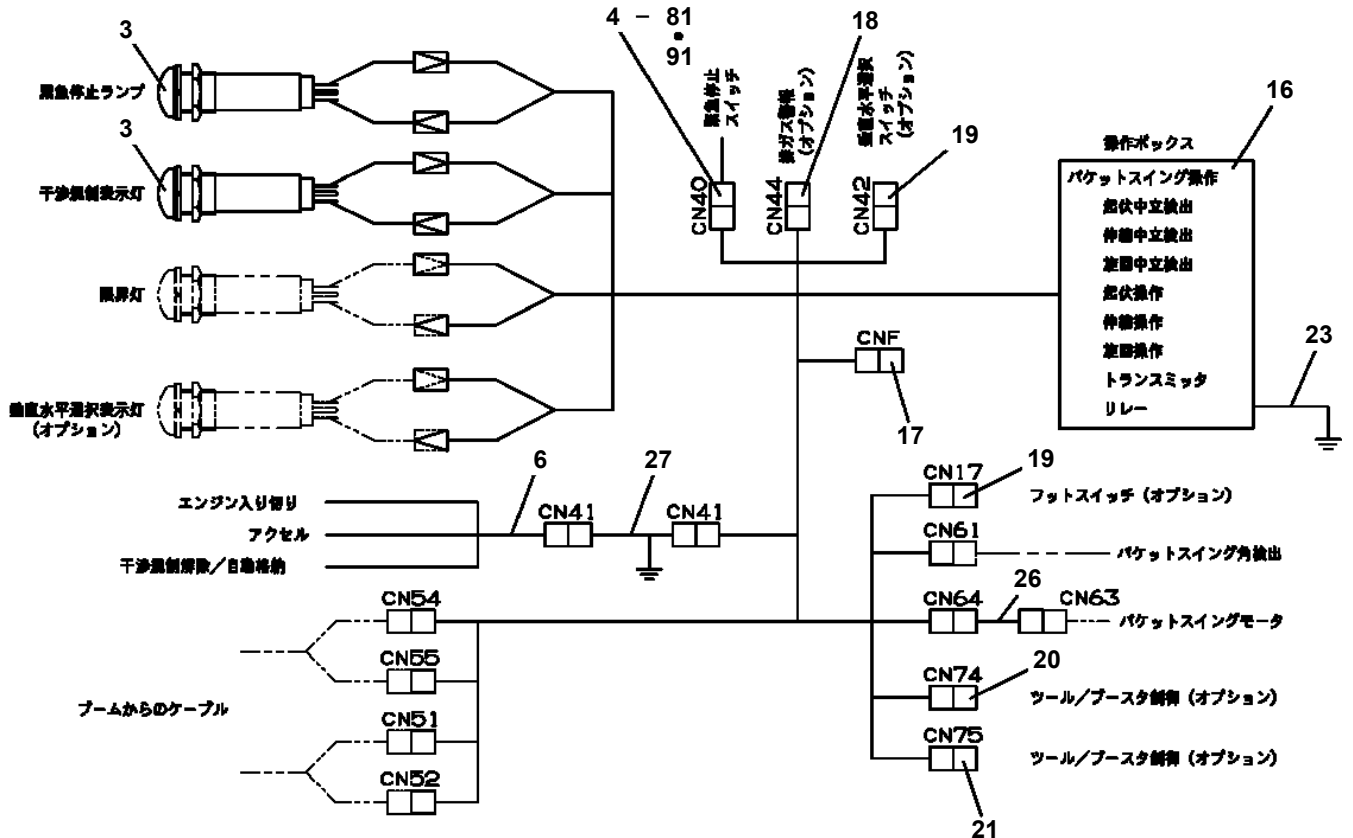
トグルSW

6 : アクセル (NO.2)



トグルSW

6 : 干渉規制解除/自動格納 (NO.1)
エンジン (NO.3)



配線接続詳細

AT-110-4 42084400075 UPPER

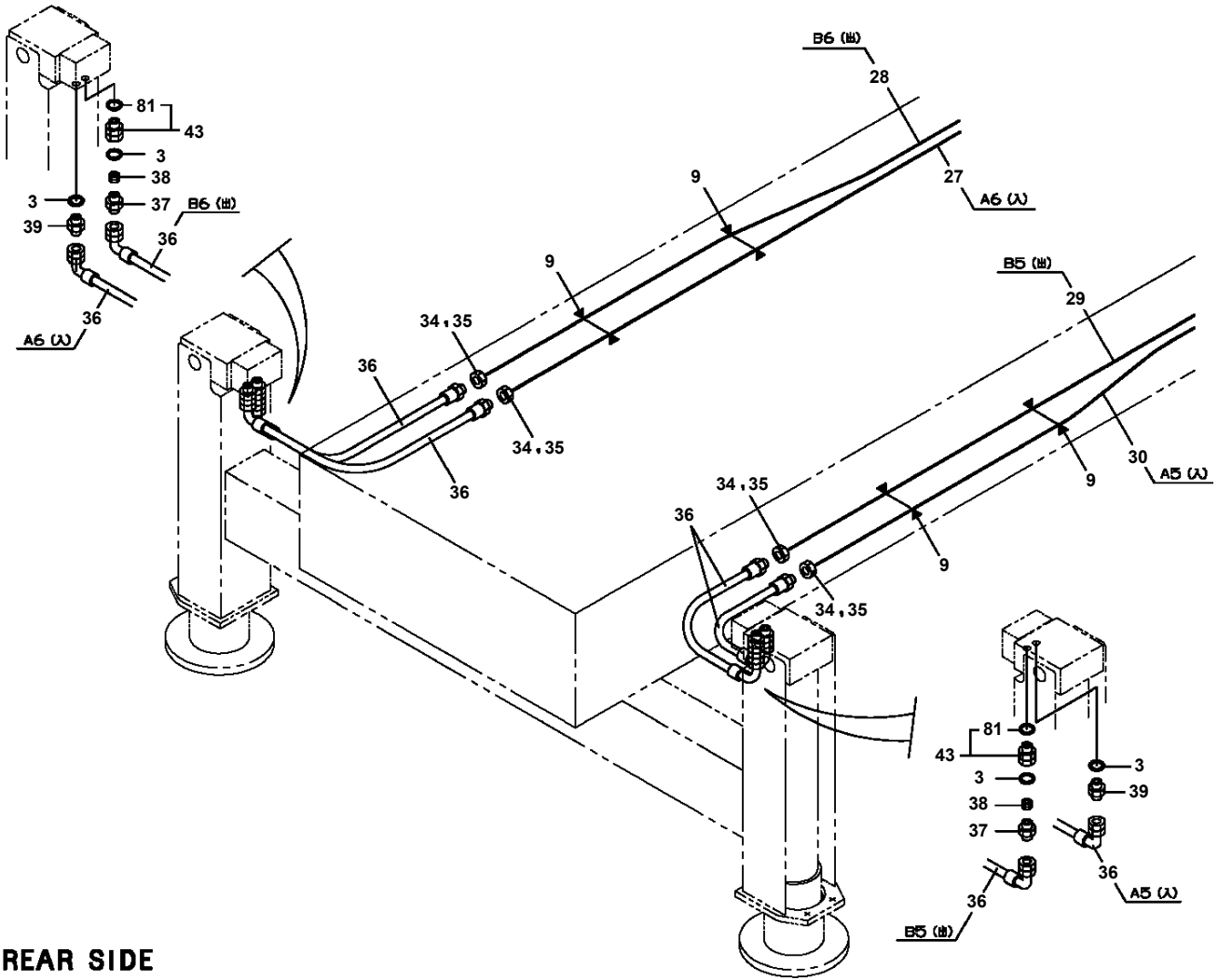
PP5340006-00 POWER SUPPLY ASSY,ELECTRICITY(100V PLUGSOCKET,24V-70W)

指示番号 KEY NO.	ハ ^ワ ワーサブ ^{ライ} ASSY,エレキ (カブ ^{インバ} ータ,100Vコンセント,ハ ^{ケツトフ} 100VSWツキ,24-70W) POWER SUPPLY ASSY,ELECTRICITY (LOWER,INVERTER 100V PLUG SOCKET,24V-70W)
1	ランプ ^{ASSY} ,ワーキング LAMP ASSY,WORKING
2	ハ ^ワ ワーサブ ^{ライ} ASSY,エレキ (カブ ^{インバ} ータ1500W) POWER SUPPLY ASSY,ELECTRICITY (LOWER,INVERTER 1500W)
3	ハ ^ワ ワーサブ ^{ライ} ASSY,エレキ (カブ ^ノ シヤタイヒタ ^{リカ} ワ,100V2キヨクコンセント) POWER SUPPLY ASSY,ELECTRICITY (LOWER/VEHICLE LEFT SIDE 100V 2 POLES PLUG SOCKET)
4	カイゾ ^ウ ASSY MODIFICATION ASSY

AT-110-4 42084400075 UPPER

Pos No.	Parts No	Parts Name	Qty	Unit	Technical Data	Serial No (Start)	Serial No (End)	Remarks
1	37004100040	PUMP,GREASE (DOMESTIC)	1					

**AT-110-4 42084400075 UPPER
PP6130020-00 PIPING ASSY,FRAME (OUTRIGGER)**



REAR SIDE

AT-110-4 42084400075 UPPER

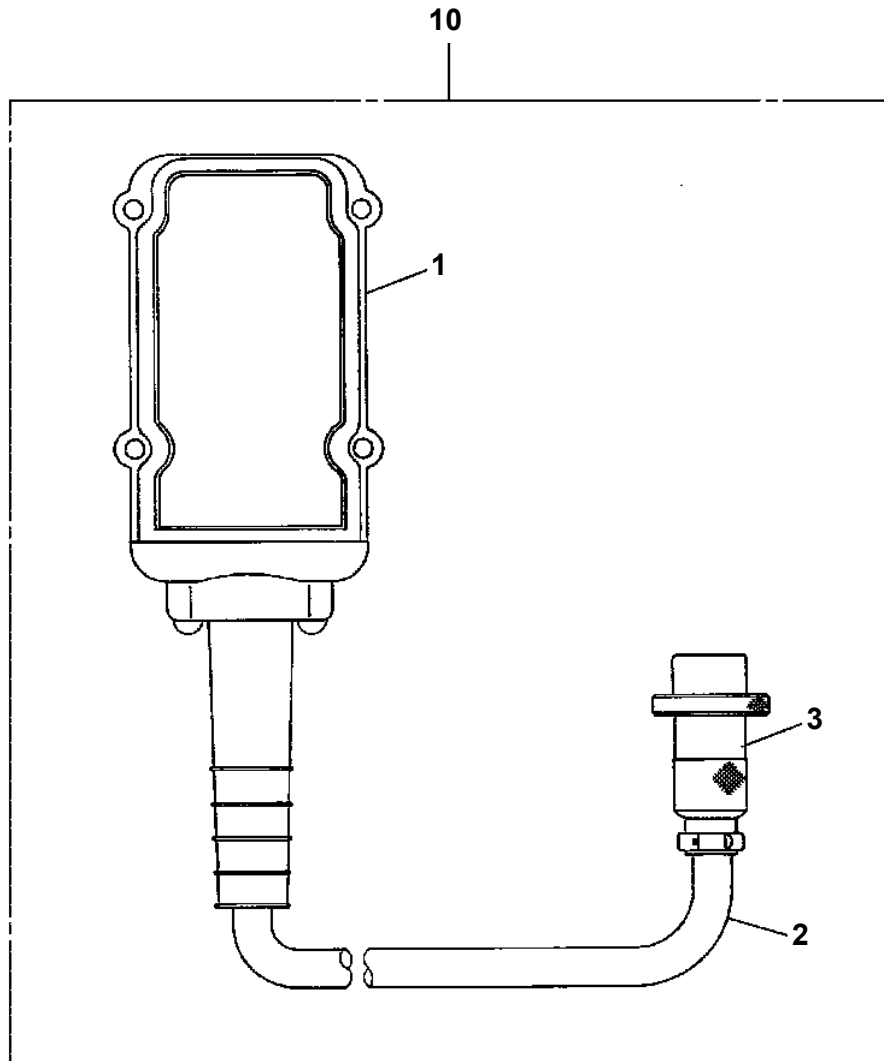
Pos No.	Parts No	Parts Name	Qty	Unit	Technical Data	Serial No (Start)	Serial No (End)	Remarks	Pages
1	42422635200	SUPPORT	1						
2	42422635300	COVER	1						
3	90101206014	BOLT	12		M6X14				
4	90302040601	WASHER,SPRING	17		6				
5	90303070601	WASHER,PLAIN	6		6				
6	82100002596	RELAY	4						
7	82100002597	RELAY	1						
8	82161201010	RELAY	3						
9	82161262042	RELAY	1						
10	82161838220	TERMINAL	1						
11	80172304016	SCREW,MACHINE	2		M4X16				
12	90302040401	WASHER,SPRING	6		4				
13	90303070401	WASHER,PLAIN	6		4		HK0491		
	90303070401	WASHER,PLAIN	4		4	HK0492			
14	82100002014	CLAMP	1		WR20				
15	90201200600	NUT	1		M6				
16	80182306014	SCREW,MACHINE	2		M6X14				
17	80182306012	SCREW,MACHINE	2		M6X12				
18	80172304010	SCREW,MACHINE	4		M4X10				
19	42422635400	SUPPORT	1						
20	42652131301	CONTROLLER	1						00002
100	42422635100	RELAY BOX ASSY	1						

AT-110-4 42084400075 UPPER

Pos No.	Parts No	Parts Name	Qty	Unit	Technical Data	Se
1	82109833232	SWITCH	1			
2	82100002220	CABLE	4	M		
3	82100002173	CONNECTOR	1			
50	42509160000	SWITCH ASSY (ELEC.BOOSTER, REMOTE:3M,NANABOSI,KASUGA)	1			

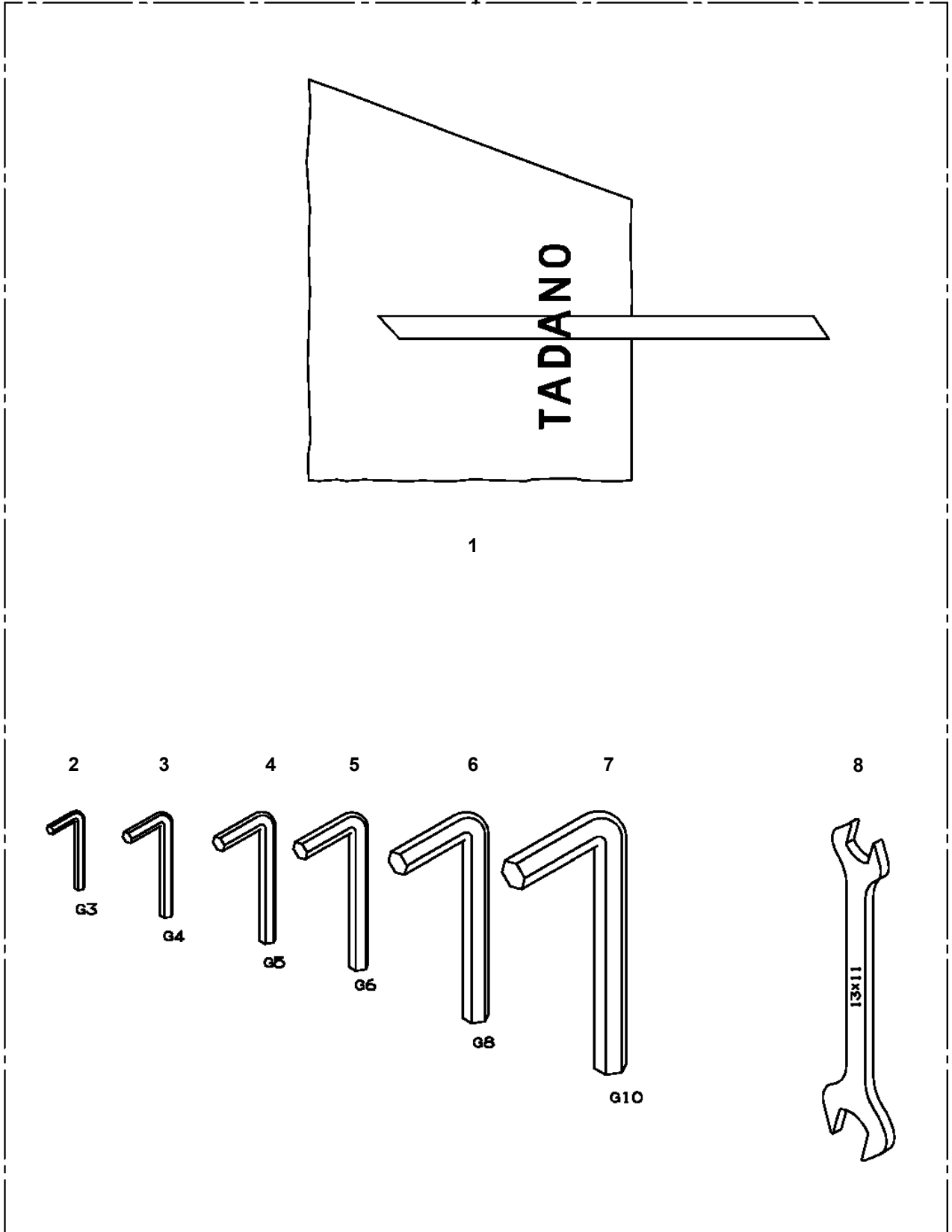
AT-110-4 42084400075 UPPER

PV1030110-00 SWITCH BOX (ELECTRIC BOOSTER, 5M,NANABOSI,SINKOU DENKI)

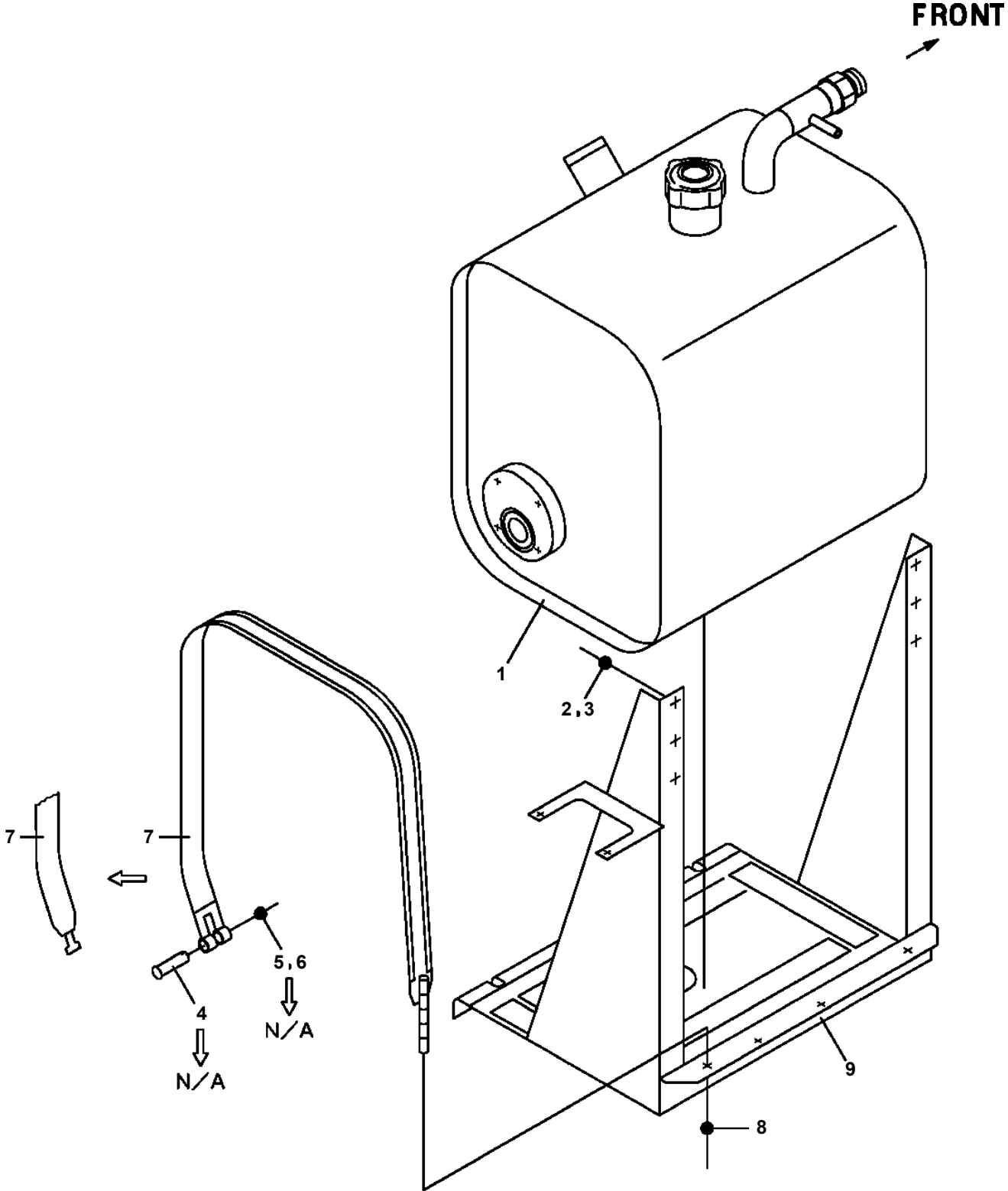


AT-110-4 42084400075 UPPER
PW1030049-01 TOOLS

50

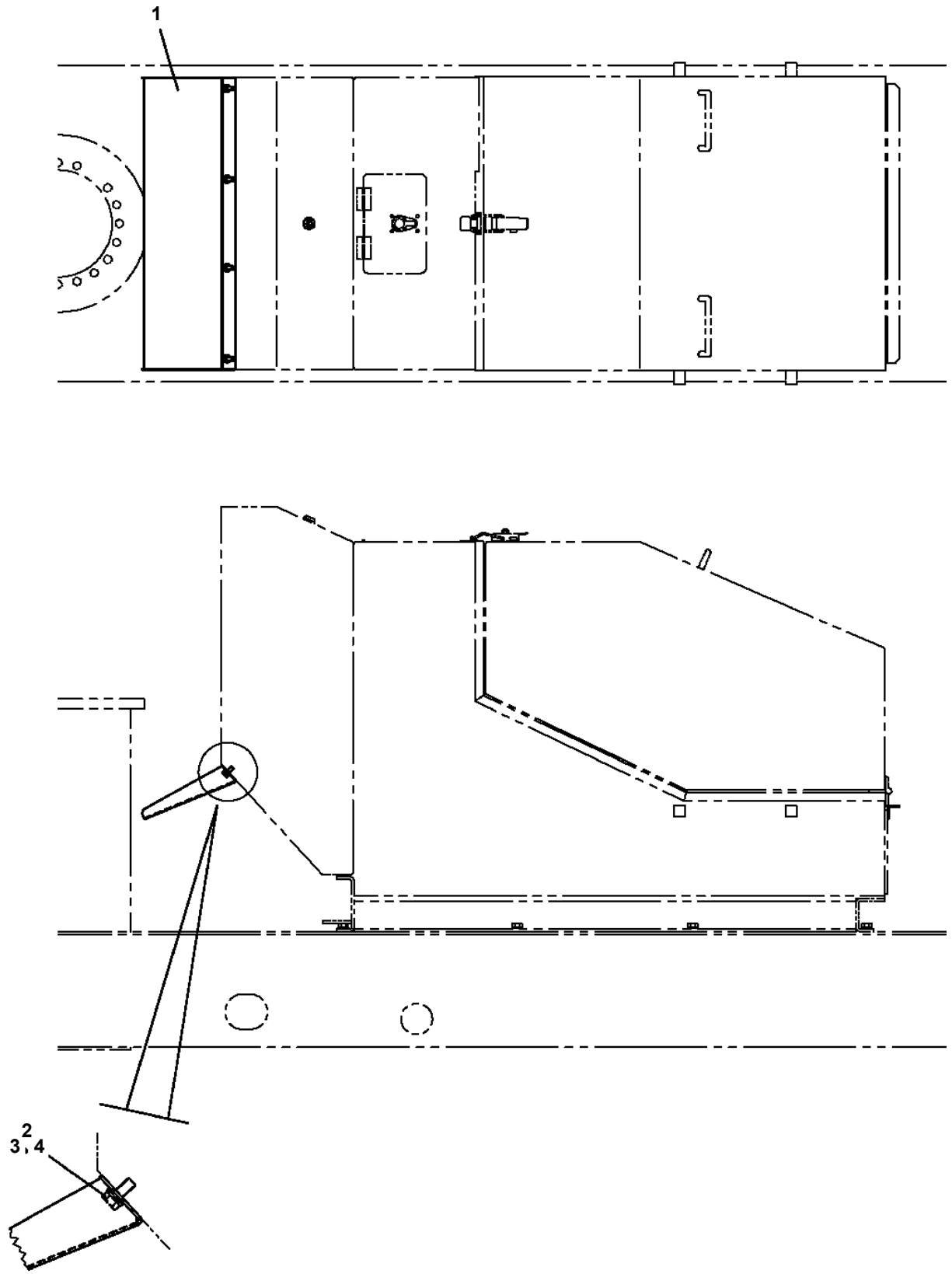


**AT-110-4 42084400075 UPPER
PX1100281-01 TANK SUPPORT**



AT-110-4 42084400075 UPPER
PX5260008-00 MOUNT ASSY,COVER (ENGINE UNIT)

FRONT ←



AT-110-4 42084400075 UPPER

Pos No.	Parts No	Parts Name	Qty	Unit	Technical Data	Serial No (Start)	Serial No (End)	Remarks
1	42443691000	JOINT ASSY,SWIVEL	1					
3	90171112028	BOLT	2		M12X28			
4	90302041201	WASHER,SPRING	2		12			
5	42442800100	PLATE	1					
32	90101208025	BOLT	3		M8X25			
33	90302040801	WASHER,SPRING	3		8			
34	42442803000	BRUSH ASSY	1					
35	37002465160	HOSE	1		L=1050			
36	37002447140	HOSE	2		L=1250			
37	37002479750	HOSE	2		L=1050			
38	91002801100	O-RING	1		1B P11			
39	91002801400	O-RING	8		1B P14			
41	37002488020	HOSE	2		L=1340			
42	80316070060	PLUG	2		PF3/8			
43	37000928850	PLUG	2					
51	42442812100	BODY	1					
52	42443062200	CORE	1					
53	42441672100	PLATE	1					
54	42630461400	FLANGE	1					
55	90172108016	BOLT,HEXAGON SOCKET	6		M8X16			
56	91531208000	PACKING	2					
57	91100308000	RING,SEAL	7					
58	80720105020	PIN,SPRING	1		5X20			
59	80316090040	PLUG SOCKET	2		R1/4			
60	42442402400	SUPPORT	1					
61	90171110020	BOLT	4		M10X20			
72	90302041001	WASHER,SPRING	4		10			

AT-110-4 42084400075 UPPER

Pos No.	Parts No	Parts Name	Qty	Unit	Technical Data	Serial No (Start)	Serial No (End)
1	42470367510	HOOK	1				
2	42470367520	CYLINDER	1				
3	42470367530	HOLDER (DIES)	1				
4	42470367540	STEM	1				
5	42470367550	SPRING (RETURN)	1				
6	42470367560	SEAT,SPRING	1				
7	42470367570	RING,STOP	1				
8	80720103006	PIN,SPRING	1		3X6		
9	91001104000	O-RING	1		1A P40		
10	42470367580	RING (B)	1				
12	42470367590	NOTCH	1				
13	42470367600	PIECE (B)	1				
14	42470367610	PIN (SCREW)	1				
15	42470367620	SPRING ASSY	1				
16	42470367630	PIECE (AL)	1				
17	42470367640	SPRING	1				
18	42470367650	KNOB	1				
19	80720102012	PIN,SPRING	1		2X12		
20	80720103008	PIN,SPRING	1		3X8		
21	42470367660	GUIDE	1				
22	90131505008	BOLT,HEXAGON SOCKET	1		M5X8		
23	90304110501	WASHER (LOCK)	1		5		
24	42470367670	SCRAPER	1				
25	42470367680	SPACER	1				
26	42470367690	BOLT,HEXAGON SOCKET	1				
27	42470367700	NIPPLE	1				
28	42470367710	JOINT,SELF SEALING (WITH CAP)	1				
29	42470367720	GRIP	1				
30	42470367730	PLATE,NAME	1				
31	42470367740	COVER (SAFETY)	1				
50	42470361000	CLAMP HEAD ASSY (SANWA,12TON)	1				

AT-110-4 42084400075 UPPER

Pos No.	Parts No	Parts Name	Qty	Unit	Technical Data	Serial No (Start)	Serial
1	42470030000	CUTTER HEAD (IZUMI 6.4TON 2.5M ELECTRIC)	1				

AT-110-4 42084400075 UPPER

Pos No.	Parts No	Parts Name	Qty	Unit	Technical Data	Serial No (Start)	Serial No (End)	Remarks	Pages
1	42460021000	BELT,SAFETY	1						

AT-110-4 42084400075 UPPER

PY1160247-00 BOOSTER(ELEC./40T, TEMPORARY SUPPORT,INCHING:NANABOSH

指示番号 KEY NO.	ブースタ (エレキシキ/40トン, カリホシ ツキ, インチング シキ, ユアツトリタ シツキ : ナナホ シ) BOOSTER (ELEC. TYPE/40TON, WITH TEMPORARY SUPPORT, INCHING TYPE, HYDRAULIC OUTLET: NANABOSHI)
1	ブースタ BOOSTER
2	プレートASSY, ネーム PLATE ASSY, NAME
3	パイピング, アウトレット (アツハ -) PIPING, OUTLET (UPPER)
4	パイピング, アウトレット (ロワー) PIPING, OUTLET (LOWER)
5	スイッチ ASSY (エレキシキソウサスイッチ) SWITCH ASSY (ELECTRIC TYPE OPERATION SW)
6	スイッチ ASSY (サーモ) SWITCH ASSY (THERMO)
7	スイッチ パネル SWITCH PANEL

AT-110-4 42084400075 UPPER

Pos No.	Parts No	Parts Name	Qty	Unit	Technical Data	Serial No (Start)	Serial No (End)	Remarks
2	90101208020	BOLT	2		M8X20			
3	90302040801	WASHER,SPRING	6		8			
13	37000711090	CLAMP ASSY	1		18X2			
14	91810130230	FASTENER	5					
17	42502314050	COVER	1					
18	90101208012	BOLT	2		M8X12			
19	42502314060	SUPPORT	1					
20	90101208016	BOLT	2		M8X16			
21	37000300750	SLEEVE	1		18-15			
22	91850400601	CLAMP	1					
25	82100001413	TUBE,SPIRAL	1	M	SE-15BK			
26	37002489820	HOSE	1		L=890			
27	37002489210	HOSE	1		L=670			
28	81408000210	PIPE,STEEL	1	M	15X2.0T			
29	80302090201	FITTING	1		KCO15-040N			
30	91002801800	O-RING	1		1B P18			
42	36605110000	VALVE,RELIEF	1					
43	42970343110	JOINT	1					
44	91002801400	O-RING	7		1B P14			
47	80400160129	JOINT	3					
48	37000926820	JOINT	1					
49	80303130181	FITTING,ELBOW	1		KLO15-030E			
50	42344290500	JOINT	1					
51	80430620600	JOINT (WITH O-RING)	1		L,G3/8-G3/8			
52	90172105085	BOLT,HEXAGON SOCKET	4		M5X85			
81	36742160000	VALVE ASSY,SOLENOID	1					

AT-110-4 42084400075 UPPER

Pos No.	Parts No	Parts Name	Qty	Unit	Technical Data	Se
1	80172304045	SCREW,MACHINE	4		M4X45	
2	90302040401	WASHER,SPRING	4		4	
3	90303070401	WASHER,PLAIN	4		4	
4	90201200400	NUT	4		M4	
5	42472210100	SUPPORT	1			
6	42472210200	SPACER	4			
7	42471080000	HOSE,BOOSTER (MAIL-FEMALE,3M)	1			
8	42470983000	SWITCH BOX (ELECTRIC BOOSTER, 3M,NANABOSI,SINKOU DENKI)	1			
9	91810130250	FASTENER	7			
10	89632801000	HOSE,VINYL	1		32X37,1M	

AT-110-4 42084400075 UPPER

Pos No.	Parts No	Parts Name	Qty	Unit	Technical Data	Serial No (Start)	Serial No (E
5	80456210600	JOINT,SELF SEALING	1				
6	80456240600	JOINT,SELF SEALING (WITH DUST CAP)	1				
11	42471437520	CAP	1				
30	42471084000	HOSE,BOOSTER (MALE-FEMALE,8M)	1				

AT-110-4 42084400075 UPPER

Pos No.	Parts No	Parts Name	Qty	Unit	Technical Data	Serial No (Start)	Serial No (End)
1	42472191000	WRENCH,IMPACT	1				
2	80460003080	JOINT	2		S,G3/8-3/4-16UNF		
3	37002417130	HOSE	2		L=2900		
4	91810132530	FASTENER	5				
5	80456020610	JOINT,SELF SEALING	1				
6	42340013200	JOINT,SELF SEALING (WITH CAP)	1				
11	42340017550	CAP (DUST)	1				
16	42340017510	CAP (DUST)	1				

AT-110-4 42084400075 UPPER

Pos No.	Parts No	Parts Name	Qty	Unit	Technical Data	Serial No (Start)	Serial No (End)	Remarks
1	42474440200	BLOCK,RUBBER (WAZUMI)	1					

AT-110-4 42084400075 UPPER

Pos No.	Parts No	Parts Name	Qty	Unit	Technical Data	Serial No (Start)	Serial No (End)	Remarks
1	42475950010	GUIDE	1					
2	42475950020	ADAPTER	1					
3	42475950030	SLEEVE	1					
4	42475950040	ROD	1					
5	42475950052	ADJUSTER	1					
6	42475950060	NUT,LOCK	1					
7	42475950090	BOLT	1					
8	42475950070	SPRING	1					
9	42475950100	PISTON	1					
10	42475950080	BRACKET	1					
11	42475950220	SWITCH ASSY	1					
12	91001100400	O-RING	1		1A P4			
13	91410000400	RING,BACKUP	1		P4			
14	91002801200	O-RING	2		1B P12			
15	91411001200	RING,BACKUP	2		P12			
16	90131705012	BOLT,HEXAGON SOCKET	2		M5X12			
17	90302040501	WASHER,SPRING	2		5			
18	82455106000	NIPPLE,GREASE	1		A-M6F FE			
19	90303130401	WASHER,PLAIN	2		4			
20	90302040401	WASHER,SPRING	2		4			
21	80173304025	SCREW,MACHINE	2		M4X25			
22	42475950110	COVER	1					
23	12235104340	SEAL	1				HK1110	
24	80601110160	RING,RITAINING	1		16			
50	42475953000	SWITCH,BOOSTER	1					

CLICK HERE TO **DOWNLOAD** THE COMPLETE MANUAL

- Thank you very much for reading the preview of the manual.
- You can download the complete manual from: www.heydownloads.com by clicking the link below



- Please note: If there is no response to CLICKING the link, please download this PDF first and then click on it.

CLICK HERE TO **DOWNLOAD** THE COMPLETE MANUAL