

AT-110-4 42084441300 LOWER,ISUZU BKG-NKR85AN-EE5AHY-M

PB3000173-00 POWER UNIT
PO1000149-00 INDICATION PLATES
PX2000969-00 CARRIER UNIT
PX3000461-01 MOUNTING UNIT
PY1001366-01 OPTIONS
ASSEMBLY

CLICK HERE TO **DOWNLOAD** THE COMPLETE MANUAL

- Thank you very much for reading the preview of the manual.
- You can download the complete manual from: www.heydownloads.com by clicking the link below



- Please note: If there is no response to CLICKING the link, please download this PDF first and then click on it.

CLICK HERE TO **DOWNLOAD** THE COMPLETE MANUAL

AT-110-4 42084441300 LOWER,ISUZU BKG-NKR85AN-EE5AHY-M

Pos No.	Parts No	Parts Name	Qty	Unit	Technical Data	Serial
1	(*****)	SUPPORT (FIXED LADDER REST,2-DECKER/2007)	1			
2	(*****)	SUPPORT (SWIVEL LADDER REST,2-DECKER/2007)	1			
3	(*****)	BOX,TOOL (DRAWER/2007)	1			
	(*****)	BOX,TOOL (DRAWER FOR LEFT TOOL BOX:2007,2010)	1			219342
	(*****)	MOUNT ASSY,TOOL BOX (LEFT:2-DECKER,DRAWER/2LINEX2)	1			219584
4	(*****)	BUZZER (JACK)	1			
5	(*****)	EARTHING DEVICE	1			
8	(*****)	STEP (FOR KANDENKOU)	1			
9	(*****)	MOUNT	1			
10	(*****)	REFLECTOR (CARRIER)	1			
11	(*****)	VIEW SYSTEM (FOR ISUZU,NISSAN,MAZDA)	1			
12	(*****)	COVER ASSY (FOR KINDEN/ISUZU /ENGINE UPPER PART COVER)	1			219697
16	(*****)	EARTH ASSY	1			219584

AT-110-4 42084441300 LOWER,ISUZU BKG-NKR85AN-EE5AHY-M

Pos No.	Parts No	Parts Name	Qty	Unit	Technical Data	Serial No (Start)	Serial No (End)	Remarks	Page
1	90303071001	WASHER,PLAIN	2		10				
2	90302041001	WASHER,SPRING	2		10				
3	90174110035	BOLT	2		M10X35				
4	36652840000	PUMP,OIL (32CC:L)	1						00004

AT-110-4 42084441300 LOWER,ISUZU BKG-NKR85AN-EE5AHY-M

Pos No.	Parts No	Parts Name	Qty	Unit	Technical Data	Serial No (Start)	Serial No (End)	Rem
2	42972097510	DRAWER	4					
3	42972097520	SUPPORT (RAIL)	4					
4	42972097530	SUPPORT (RAIL)	4					
5	42972097540	PLATE	8					
6	42972097550	PLATE	16					
7	42972097560	MAT	4					
8	42694917550	LOCK	4					
9	42972097570	RAIL (SLIDE)	8					
10	42834837680	SCREW,MACHINE (SEMS)	24		M5X10			
11	32830487890	SCREW,MACHINE (WITH W,SW)	24		M4X10			
12	42834717660	SCREW,MACHINE	N		M4X6			
100	42972091000	BOX,TOOL	1					

AT-110-4 42084441300 LOWER,ISUZU BKG-NKR85AN-EE5AHY-M

Pos No.	Parts No	Parts Name	Qty	Unit	Technical Data	Serial No (Start)	Serial No (End)	Remarks	Pages
1	42501100100	HARNESS	1						000028
2	82100002596	RELAY	1						
3	90101206010	BOLT	1		M6X1.0				
4	90302040601	WASHER,SPRING	1		6				
5	91810132530	FASTENER	N						

AT-110-4 42084441300 LOWER,ISUZU BKG-NKR85AN-EE5AHY-M

Pos No.	Parts No	Parts Name	Qty	Unit	Technical Data	Serial No (Start)	Serial No (End)	Remarks
2	42739697510	CABLE ASSY	1					
3	42739697540	CABLE ASSY	1					
4	42739697520	CLIP	1					
5	42739697530	REMOTE CONTROL ASSY	1					
100	42739931110	DISPLAY	1					

AT-110-4 42084441300 LOWER,ISUZU BKG-NKR85AN-EE5AHY-M

Pos No.	Parts No	Parts Name	Qty	Unit	Technical Data	Serial No (Start)	Serial No (End)	Remarks	Pages
1	42806830800	HARNESS	1						

CLICK HERE TO **DOWNLOAD** THE COMPLETE MANUAL

- Thank you very much for reading the preview of the manual.
- You can download the complete manual from: www.heydownloads.com by clicking the link below



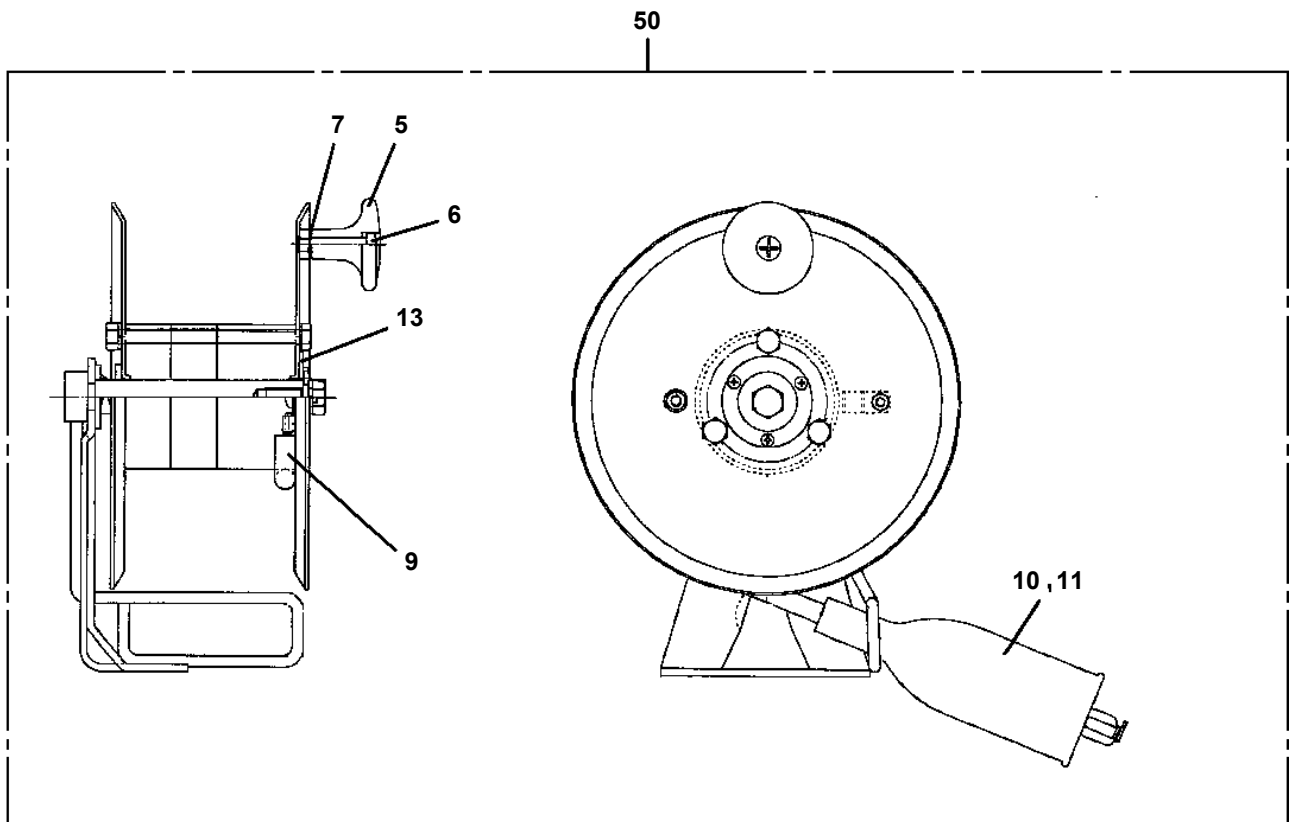
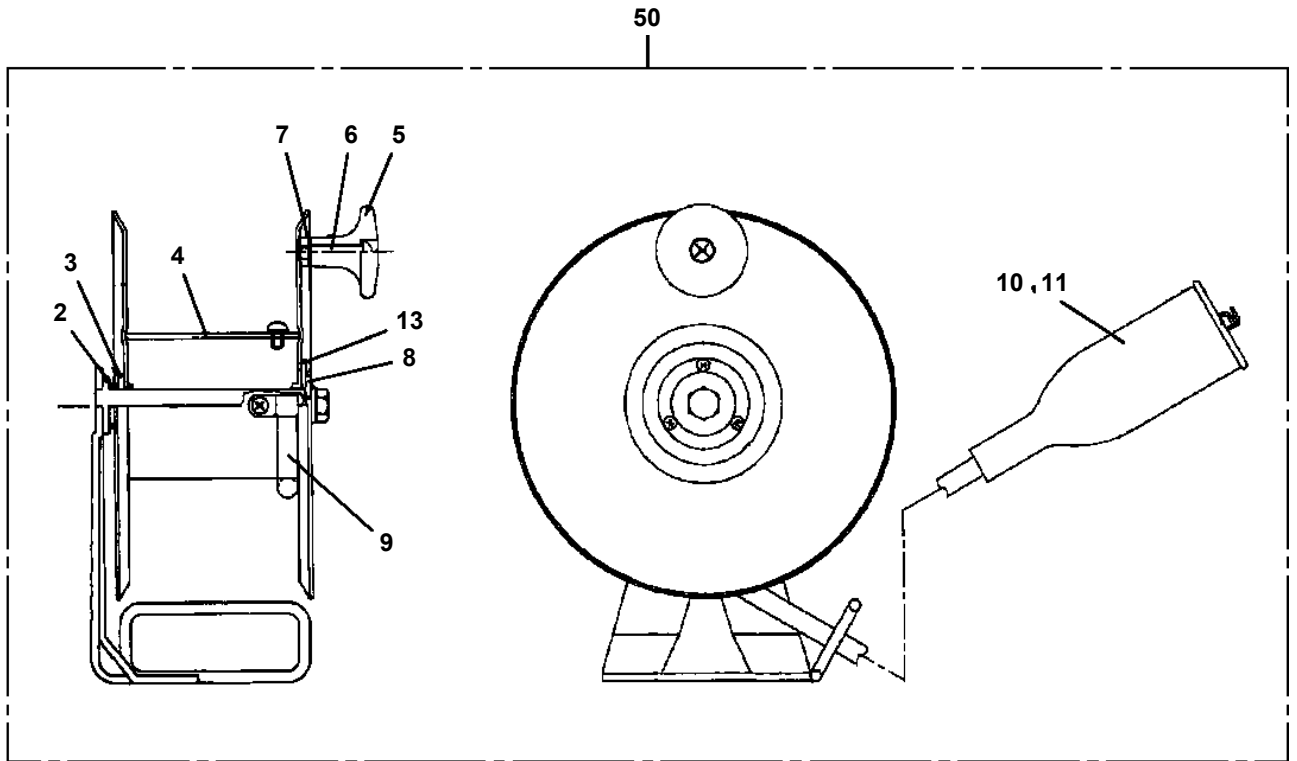
- Please note: If there is no response to CLICKING the link, please download this PDF first and then click on it.

CLICK HERE TO **DOWNLOAD** THE COMPLETE MANUAL

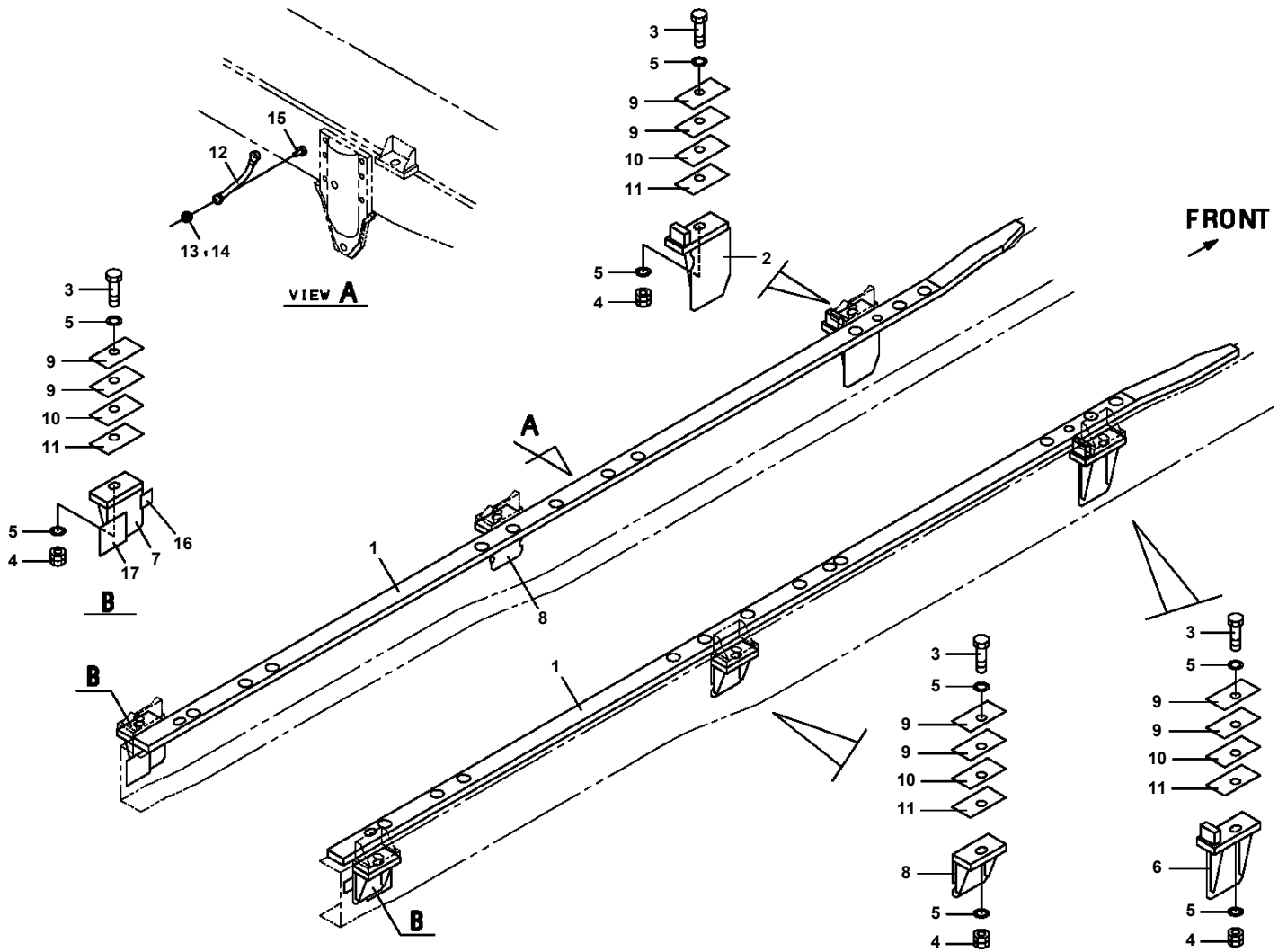
AT-110-4 42084441300 LOWER,ISUZU BKG-NKR85AN-EE5AHY-M

Pos No.	Parts No	Parts Name	Qty	Unit	Technical Data	Serial No (Start)	Serial No (End)	Remarks	Pages
1	42845400101	WEIGHT	1						
2	90101022300	BOLT	4		M22X300				
4	90201252200	NUT	4		M22				
5	37000558030	SHIM	4		T=3.2				
7	90171120030	BOLT	2		M20X30				
9	90303072001	WASHER,PLAIN	2		20				
10	37000576130	PLATE	4						
11	90203252200	NUT	4		M22	219622			

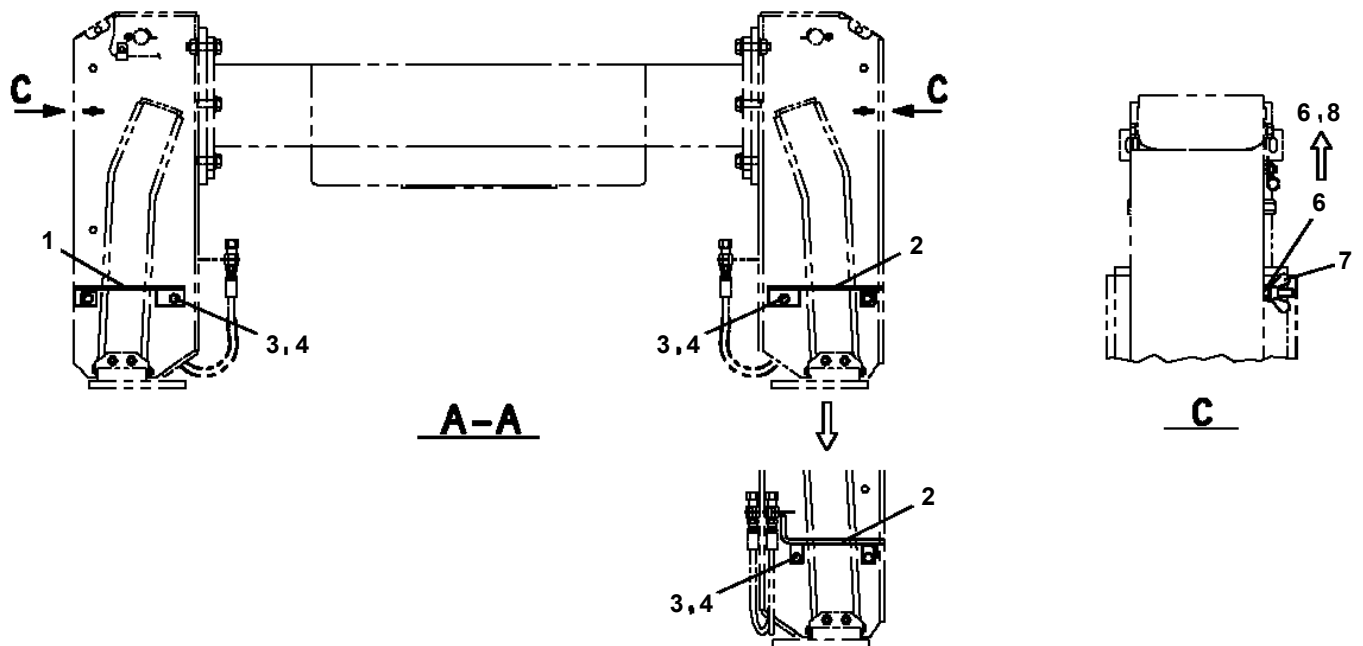
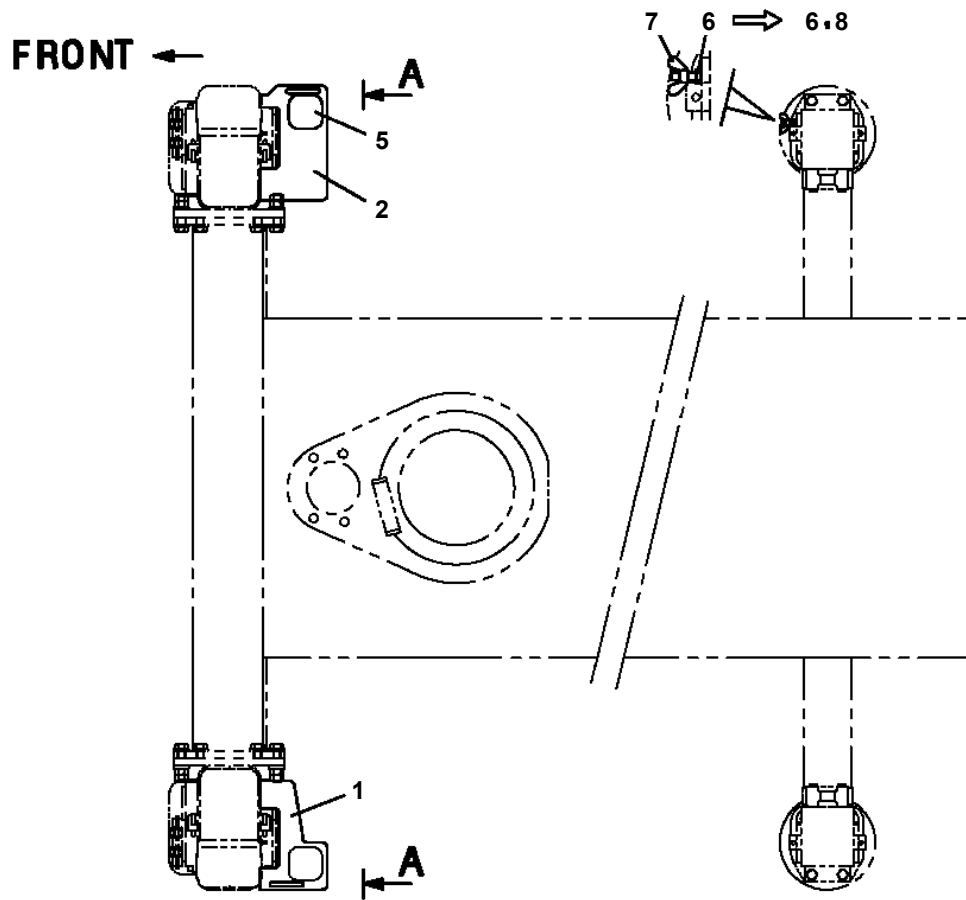
AT-110-4 42084441300 LOWER, ISUZU BKG-NKR85AN-EE5AHY-M
PN1350027-01 REEL, CORD



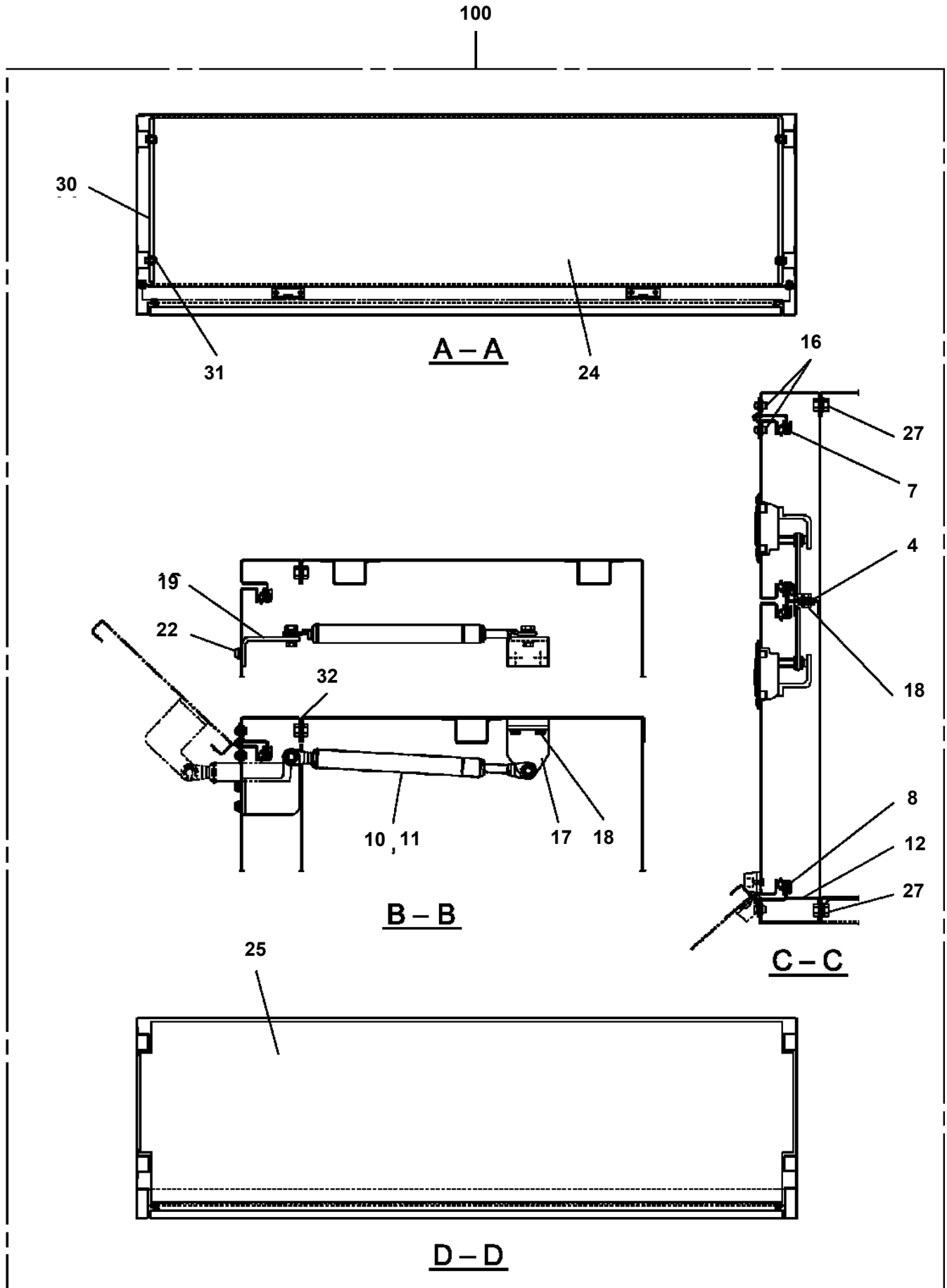
**AT-110-4 42084441300 LOWER,ISUZU BKG-NKR85AN-EE5AHY-M
PX1170795-00 ATTACHMENT PARTS,CRANE FRAME**



AT-110-4 42084441300 LOWER, ISUZU BKG-NKR85AN-EE5AHY-M
PX1260279-01 STEP (FOR KANDENKOU)



AT-110-4 42084441300 LOWER, ISUZU BKG-NKR85AN-EE5AHY-M
PX1350982-00 BOX, TOOL



AT-110-4 42084441300 LOWER,ISUZU BKG-NKR85AN-EE5AHY-M

Pos No.	Parts No	Parts Name	Qty	Unit	Technical Data	Serial No (Start)	Serial No (End)	Remarks	Pages
1	42835713002	BOX,TOOL	1			219273			00005
2	42835711002	BOX,TOOL	1			219273			00005
3	90101210025	BOLT	8		M10X25				
4	90302041001	WASHER,SPRING	10		10	219120			
5	37000506590	PLATE	8		T=1.6				
6	42835710010	SUPPORT	1						
7	90101208020	BOLT	6		M8X20				
11	42835710100	SUPPORT	1						
14	90101210020	BOLT	2		M10X20	219120			
15	90303071001	WASHER,PLAIN	2		10	219120			
16	42836480010	SUPPORT	1			219120			
17	90303400801	WASHER	6		M8X19	219273			
31	42398701010	PLATE,CAUTION	2						
32	42835714010	PLATE (NON-SLIP)	2				219900		

AT-110-4 42084441300 LOWER,ISUZU BKG-NKR85AN-EE5AHY-M

Pos No.	Parts No	Parts Name	Qty	Unit	Technical Data	Serial No (Start)	Serial No (End)	Remarks	Pag
1	42971121102	FRAME	1						
2	42971121201	BOX	2						
3	42971121050	STOPPER	2						
4	82466188304	LOCK	2						
5	82460000500	CATCH	2						
6	80172804010	SCREW,MACHINE	8		M4X10				
7	90302510401	WASHER,SPRING	8		4				
8	90201500400	NUT	8		M4				
9	90101208018	BOLT	4		M8X18				
10	90302040801	WASHER,SPRING	4		8				
11	90303070801	WASHER,PLAIN	4		8				
12	90190206012	BOLT	8		M6X12				
13	90302510601	WASHER,SPRING (6)	8						
14	90303520601	WASHER,PLAIN	8		6				
15	42971121040	PLATE	8						
16	42971121030	STOPPER	2						
50	42971121002	BOX,TOOL	1						

AT-110-4 42084441300 LOWER,ISUZU BKG-NKR85AN-EE5AHY-M

Pos No.	Parts No	Parts Name	Qty	Unit	Technical Data	Serial No (Start)	Serial No (End)	Remarks	Pages
1	31790650100	COUPLING	1						
2	80720104040	PIN,SPRING	1		4X40				
50	31790650000	COUPLING	1						

CLICK HERE TO **DOWNLOAD** THE COMPLETE MANUAL

- Thank you very much for reading the preview of the manual.
- You can download the complete manual from: www.heydownloads.com by clicking the link below



- Please note: If there is no response to CLICKING the link, please download this PDF first and then click on it.

CLICK HERE TO **DOWNLOAD** THE COMPLETE MANUAL