

AT-105-1 42055142000 LOWER,ISUZU KC-NKR66EP-5EXY

PX1001012-00 MOUNTING PARTS

PY1001232-00 OPTIONS

ASSEMBLY

CLICK HERE TO **DOWNLOAD** THE COMPLETE MANUAL

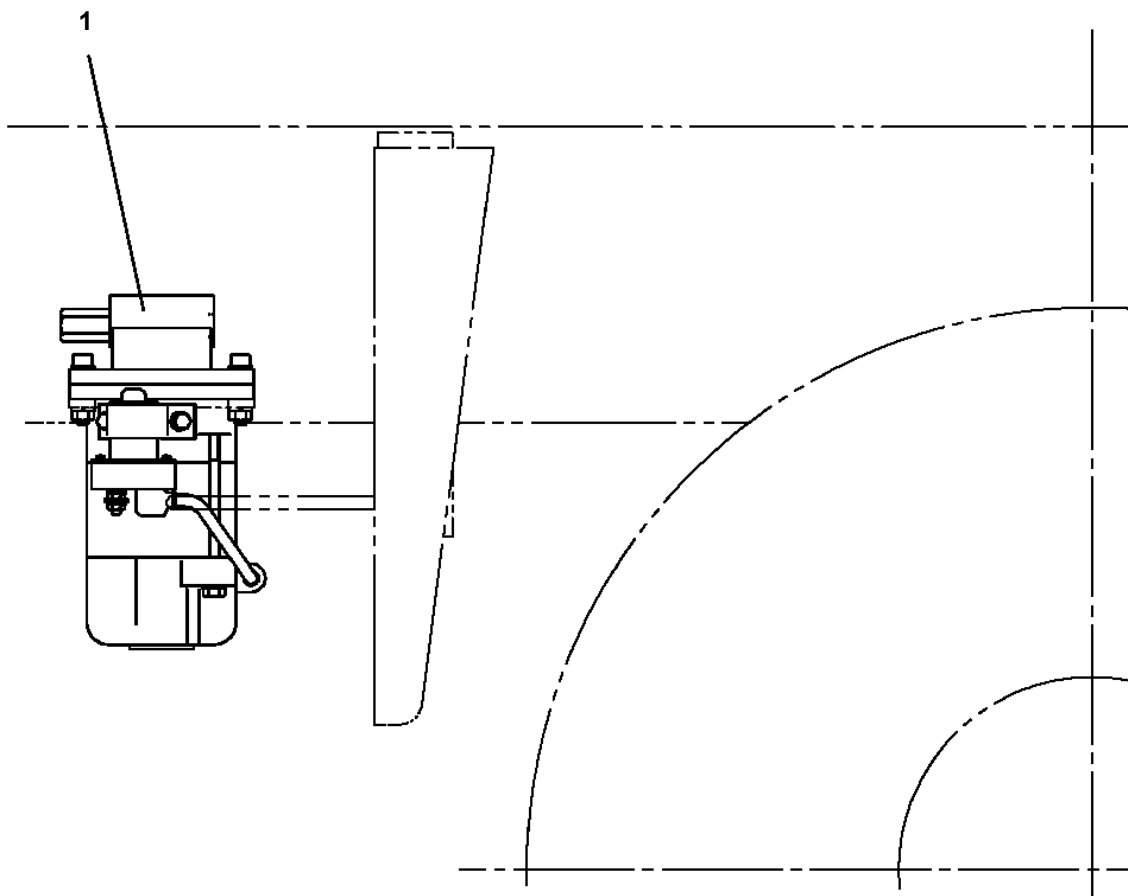
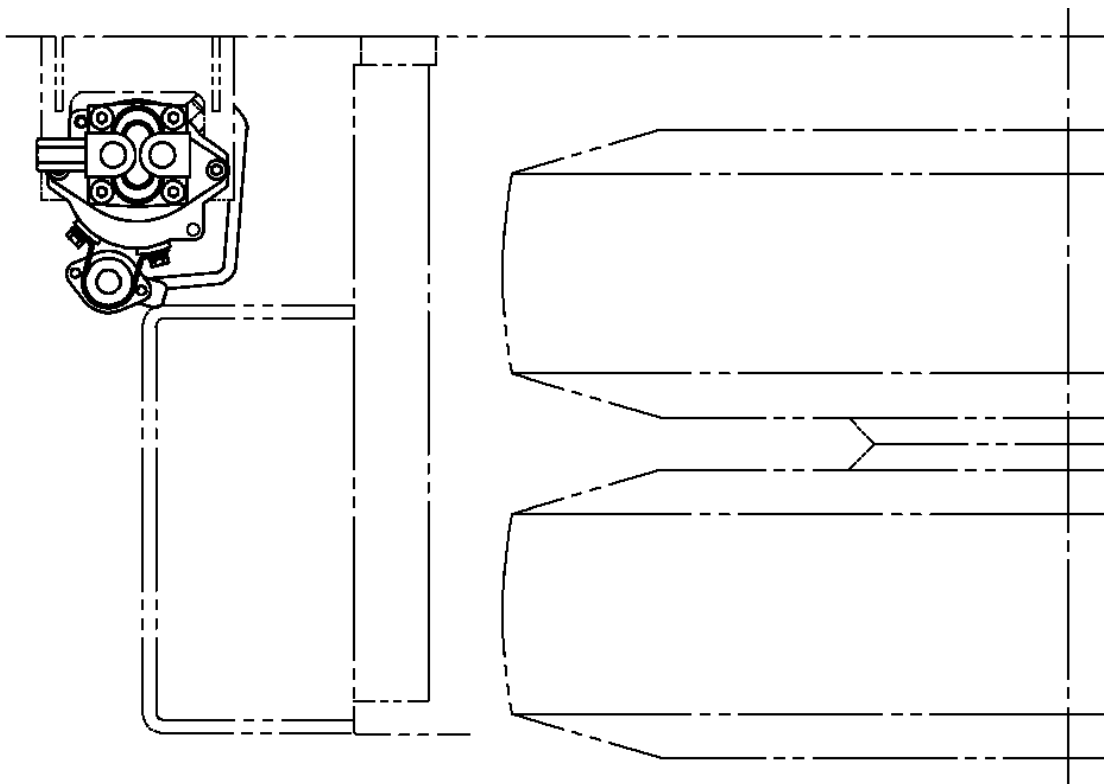
- Thank you very much for reading the preview of the manual.
- You can download the complete manual from: www.heydownloads.com by clicking the link below



- Please note: If there is no response to CLICKING the link, please download this PDF first and then click on it.

CLICK HERE TO **DOWNLOAD** THE COMPLETE MANUAL

**AT-105-1 42055142000 LOWER,ISUZU KC-NKR66EP-5EXY
PB1110008-00 MOUNT,PUMP (EMERGENCY)**



AT-105-1 42055142000 LOWER,ISUZU KC-NKR66EP-5EXY

Pos No.	Parts No	Parts Name	Qty	Unit	Technical Data	Serial No (Start)	Serial No (End)	Remarks	Page
1	37002705190	CABLE ASSY	1		L=1500				
2	42650680600	CAP	1						
3	82119901038	CONNECTOR	1						
4	91810130240	FASTENER	5						
5	82100001807	TUBE,CORRUGATE	1	M	28				

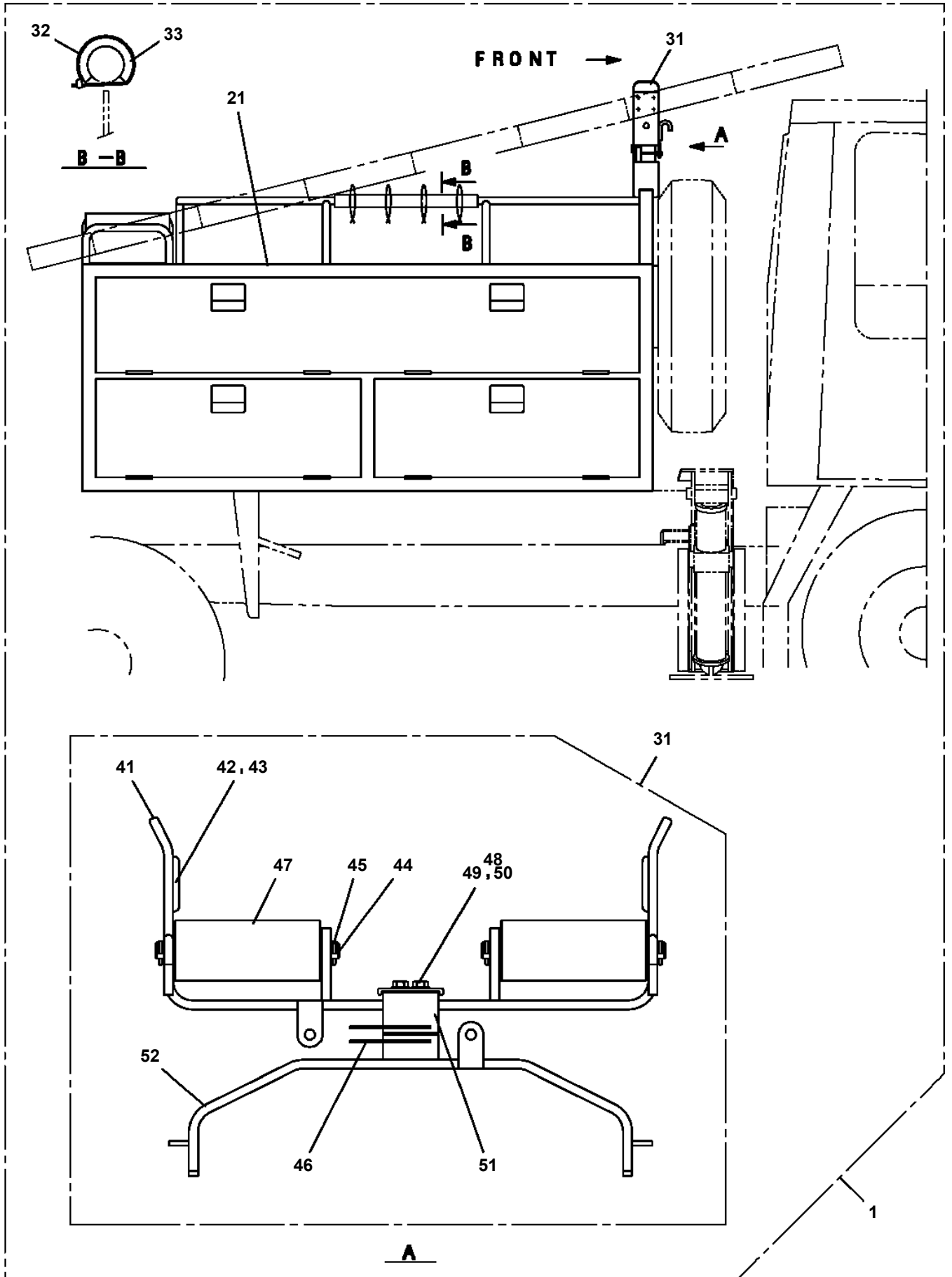
AT-105-1 42055142000 LOWER,ISUZU KC-NKR66EP-5EXY

Pos No.	Parts No	Parts Name	Qty	Unit	Technical Data	Serial No (Start)	Serial No (End)	Remarks	Pages
1	42862070300	SPACER	2						
2	37000510680	PLATE	2						
3	37000524530	PLATE	8						
4	42860360020	SUPPORT	6						
7	37000507930	PLATE	4						

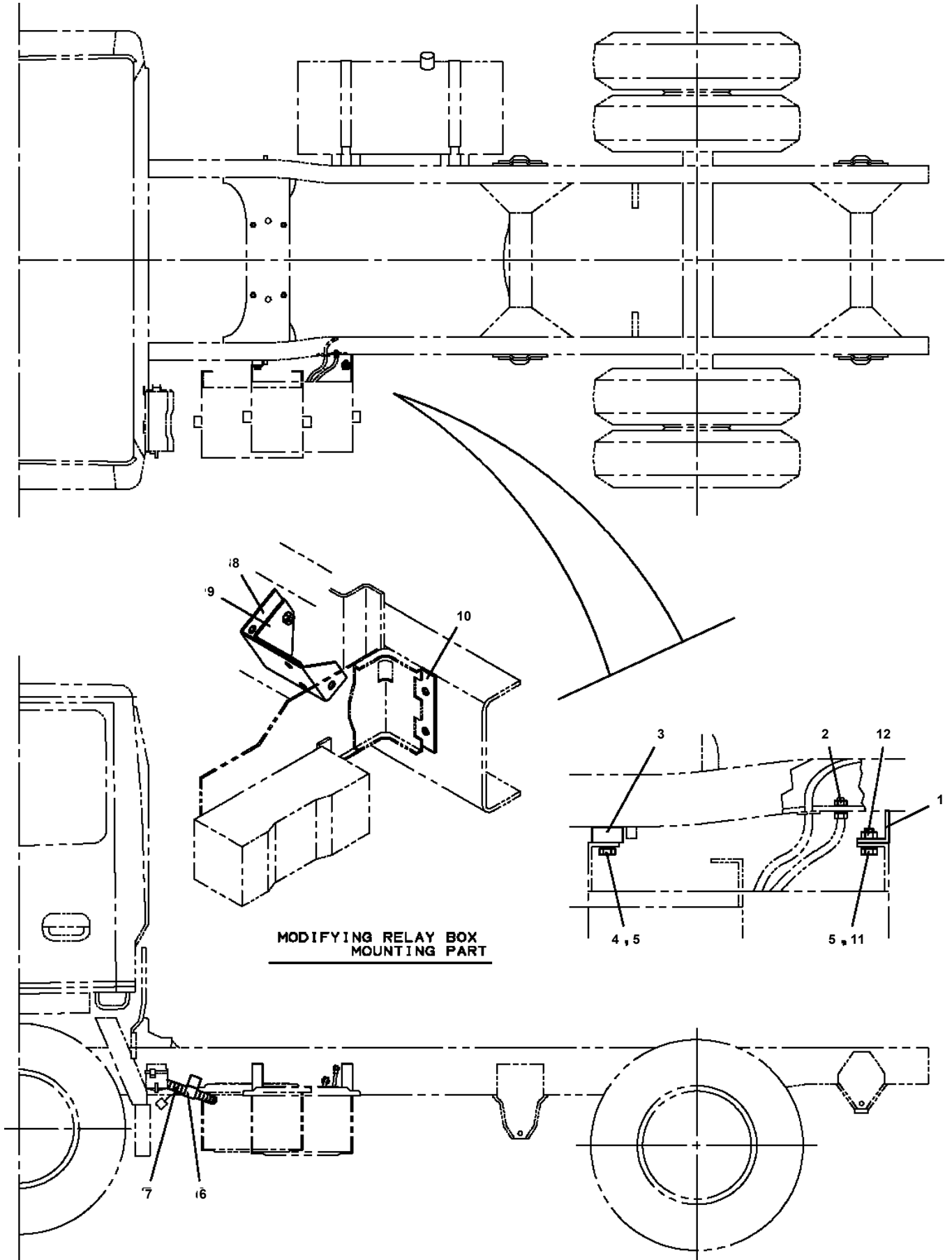
AT-105-1 42055142000 LOWER,ISUZU KC-NKR66EP-5EXY

Pos No.	Parts No	Parts Name	Qty	Unit	Technical Data	Serial No (Start)	Serial No (End)	Remarks	Pages
1	42892620200	SUPPORT	1						
2	42892620100	SUPPORT	1						
3	90101210020	BOLT	8		M10X20				
4	90302041001	WASHER,SPRING	8		10				

AT-105-1 42055142000 LOWER,ISUZU KC-NKR66EP-5EXY
PX1350432-01 BOX,TOOL (KANDENKOU)



**AT-105-1 42055142000 LOWER,ISUZU KC-NKR66EP-5EXY
PX1390397-00 PARTS,CHASSIS MODIFICATION**



CLICK HERE TO **DOWNLOAD** THE COMPLETE MANUAL

- Thank you very much for reading the preview of the manual.
- You can download the complete manual from: www.heydownloads.com by clicking the link below



- Please note: If there is no response to CLICKING the link, please download this PDF first and then click on it.

CLICK HERE TO **DOWNLOAD** THE COMPLETE MANUAL