

AT-105-1 42055123300 LOWER,MITSUBISHI KK-FE53EB 4UKA1

PX1000995-00 MOUNTING PARTS

PY1001221-00 OPTIONS

ASSEMBLY

CLICK HERE TO **DOWNLOAD** THE COMPLETE MANUAL

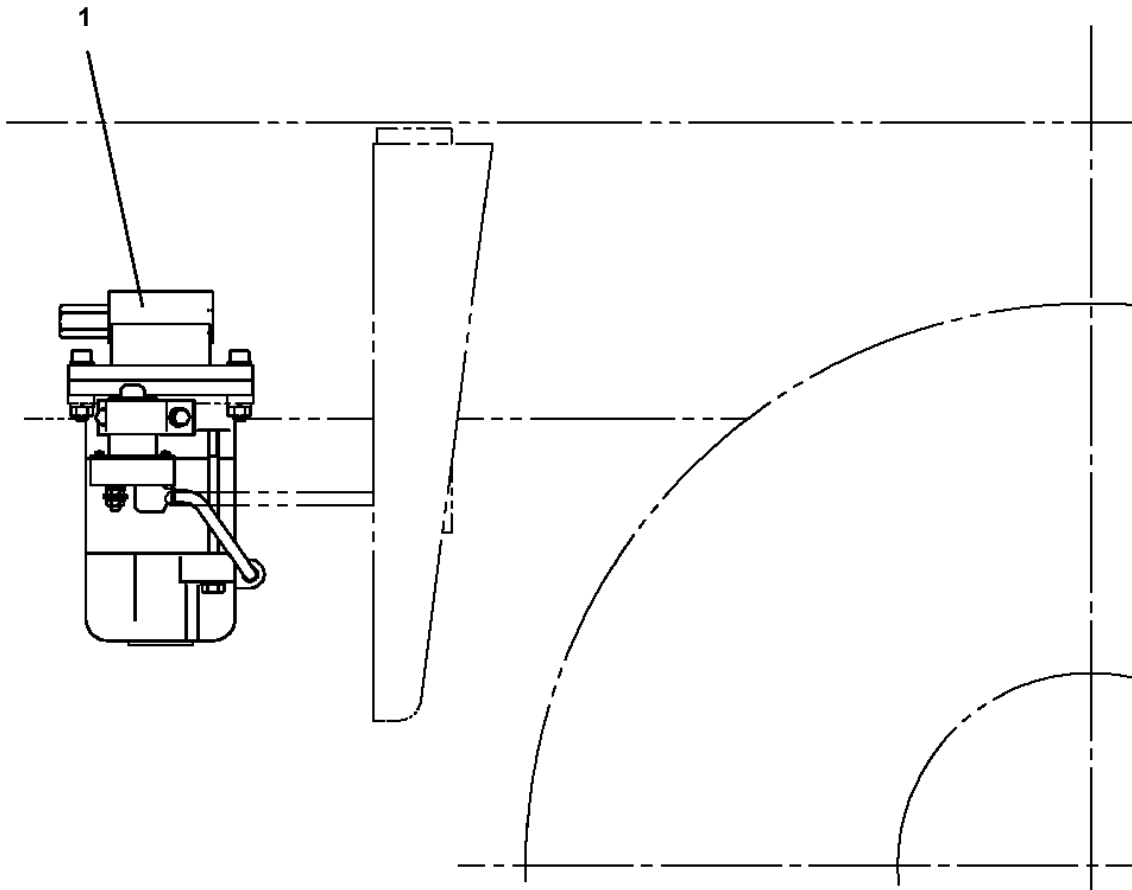
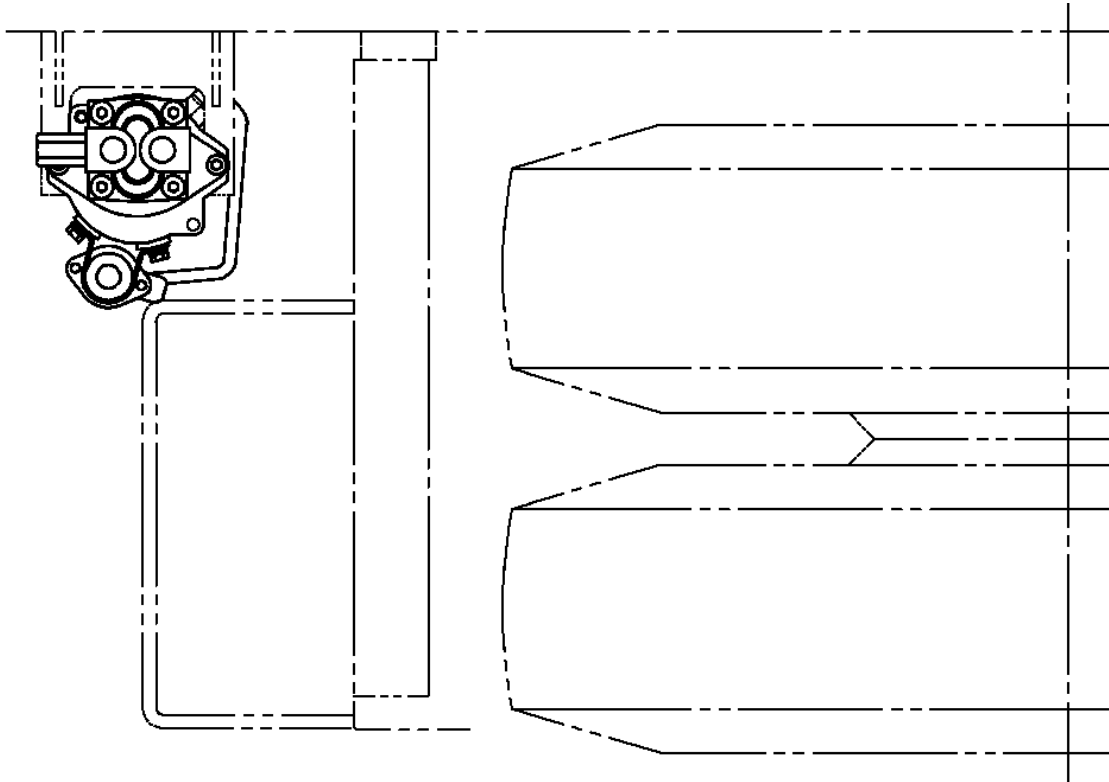
- Thank you very much for reading the preview of the manual.
- You can download the complete manual from: www.heydownloads.com by clicking the link below



- Please note: If there is no response to CLICKING the link, please download this PDF first and then click on it.

CLICK HERE TO **DOWNLOAD** THE COMPLETE MANUAL

**AT-105-1 42055123300 LOWER, MITSUBISHI KK-FE53EB 4UKA1
PB1110008-00 MOUNT, PUMP (EMERGENCY)**



AT-105-1 42055123300 LOWER,MITSUBISHI KK-FE53EB 4UKA1

Pos No.	Parts No	Parts Name	Qty	Unit	Technical Data	Serial No (Start)	Serial No (End)	Remarks	Pages
1	42650860050	CABLE ASSY	1		L=1500				
2	42650680600	CAP	1						
3	91810132530	FASTENER	1						

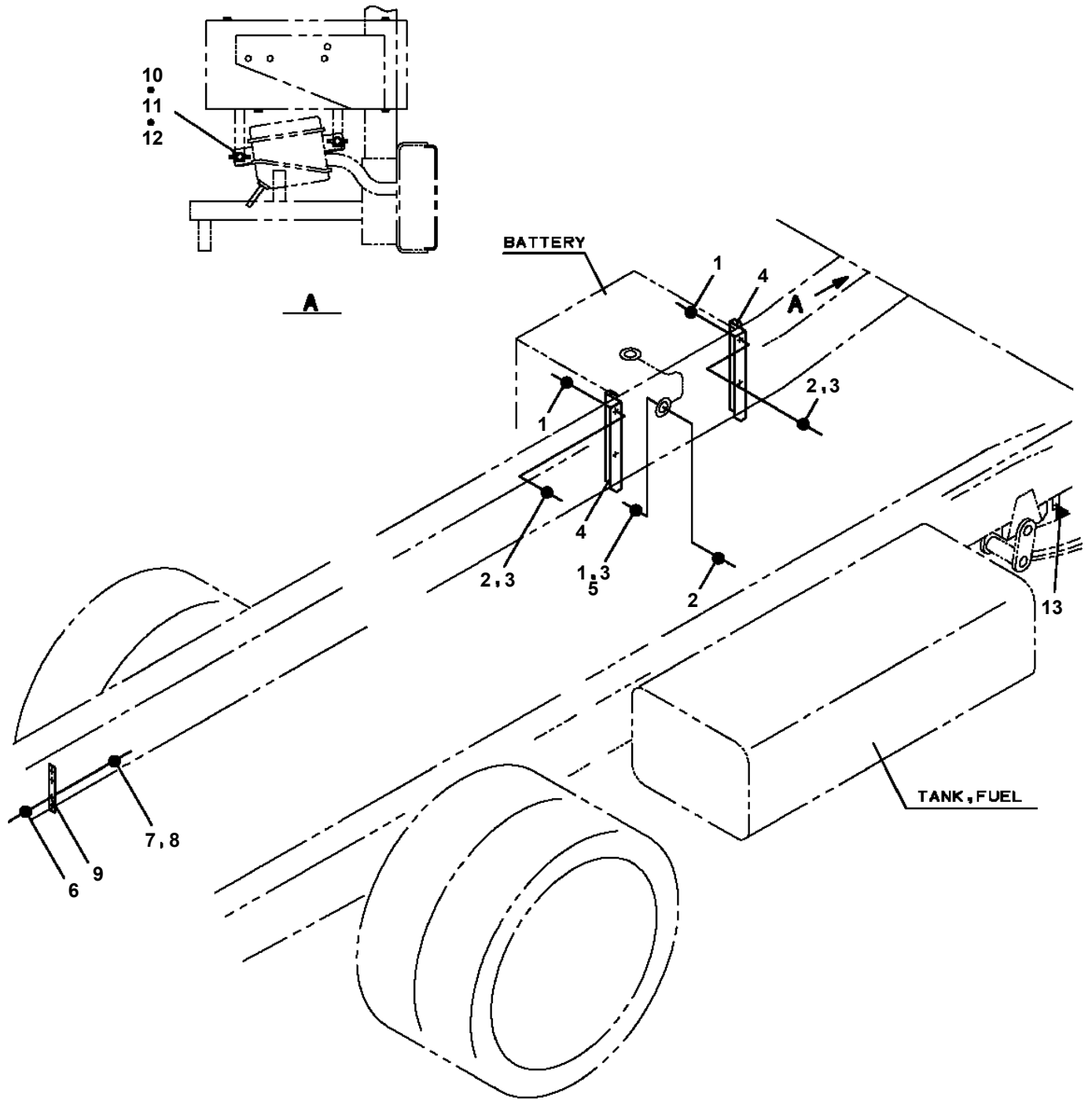
AT-105-1 42055123300 LOWER,MITSUBISHI KK-FE53EB 4UKA1

Pos No.	Parts No	Parts Name	Qty	Unit	Technical Data	Serial No (Start)	Serial No (End)	Remarks	Pages
1	42861280020	SPACER	2						
2	37000510680	PLATE	2						
3	37000524530	PLATE	12						
4	42860360020	SUPPORT	5						
5	42860880100	SUPPORT	1						

AT-105-1 42055123300 LOWER, MITSUBISHI KK-FE53EB 4UKA1

Pos No.	Parts No	Parts Name	Qty	Unit	Technical Data	Serial No (Start)	Serial No (End)	Remarks	Pages
1	42841980100	WEIGHT	1						
2	90171122050	BOLT	4						
4	90303502201	WASHER,PLAIN	4		22				

AT-105-1 42055123300 LOWER, MITSUBISHI KK-FE53EB 4UKA1
PX1390457-03 MODIFICATION PARTS



CLICK HERE TO **DOWNLOAD** THE COMPLETE MANUAL

- Thank you very much for reading the preview of the manual.
- You can download the complete manual from: www.heydownloads.com by clicking the link below



- Please note: If there is no response to CLICKING the link, please download this PDF first and then click on it.

CLICK HERE TO **DOWNLOAD** THE COMPLETE MANUAL