

AT-105-1 42055140500 LOWER,ISUZU U-NKR66EPN-5EXY

PX1001004-00 MOUNTING PARTS

PY1001227-00 OPTIONS

ASSEMBLY

CLICK HERE TO **DOWNLOAD** THE COMPLETE MANUAL

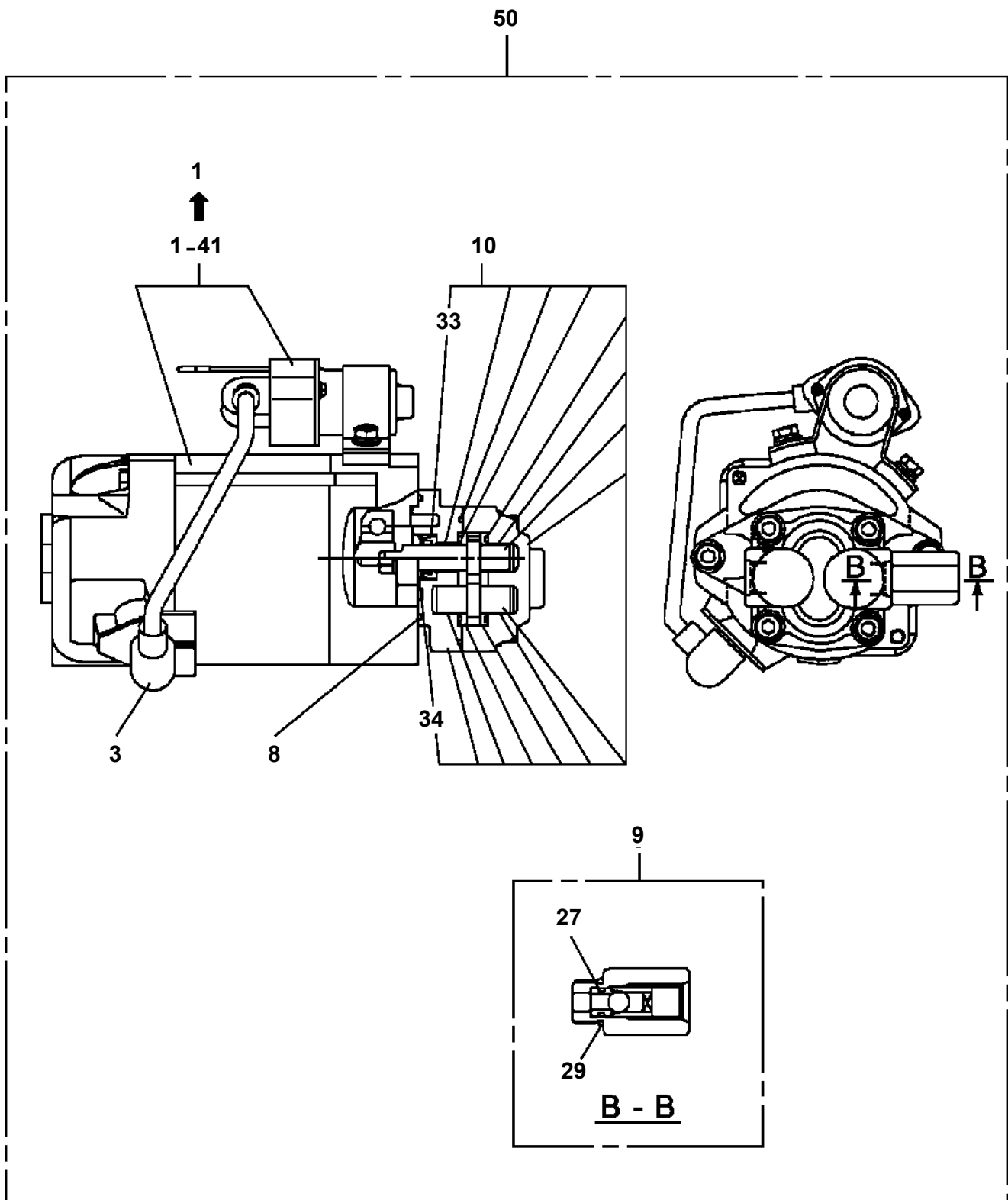
- Thank you very much for reading the preview of the manual.
- You can download the complete manual from: www.heydownloads.com by clicking the link below



- Please note: If there is no response to CLICKING the link, please download this PDF first and then click on it.

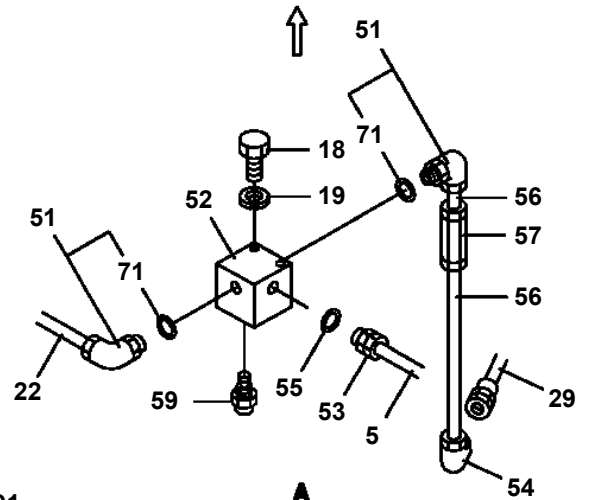
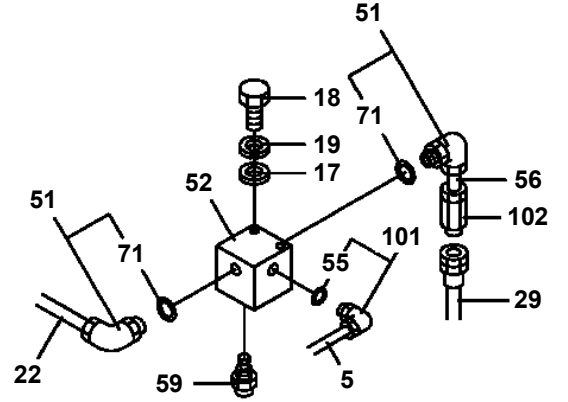
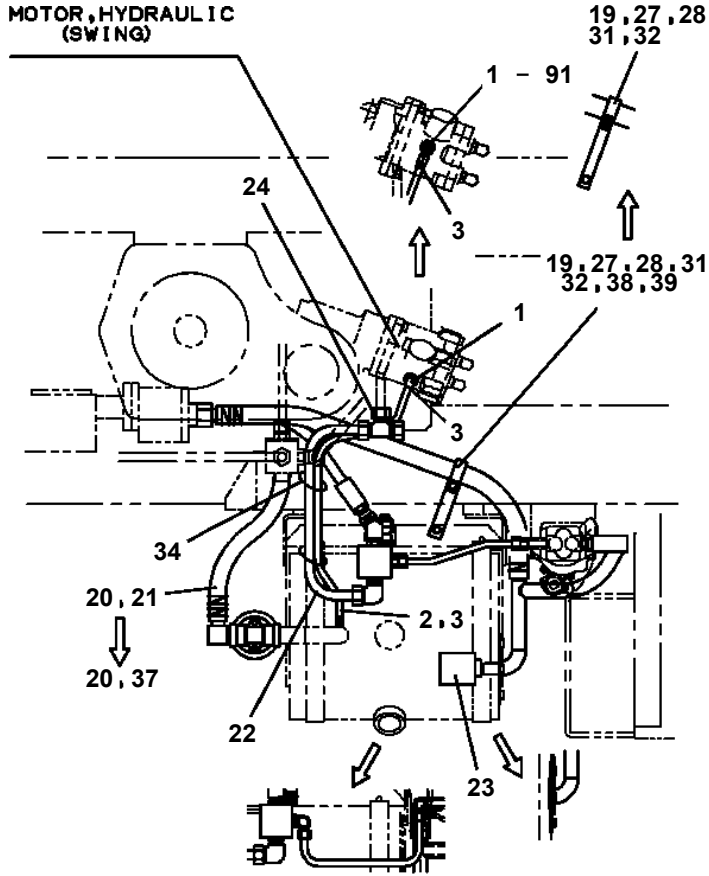
CLICK HERE TO **DOWNLOAD** THE COMPLETE MANUAL

AT-105-1 42055140500 LOWER,ISUZU U-NKR66EPN-5EXY
PB1100101-02 PUMP,HYDRAULIC (EMERGENCY)

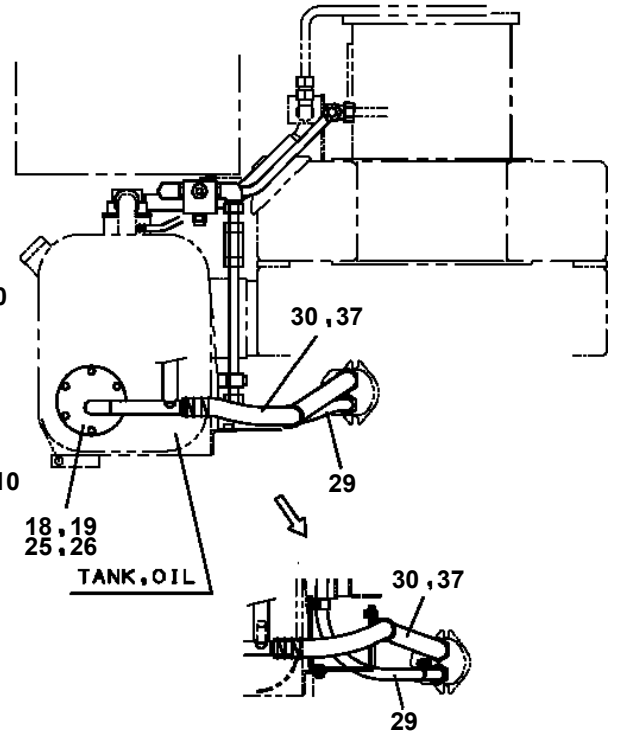
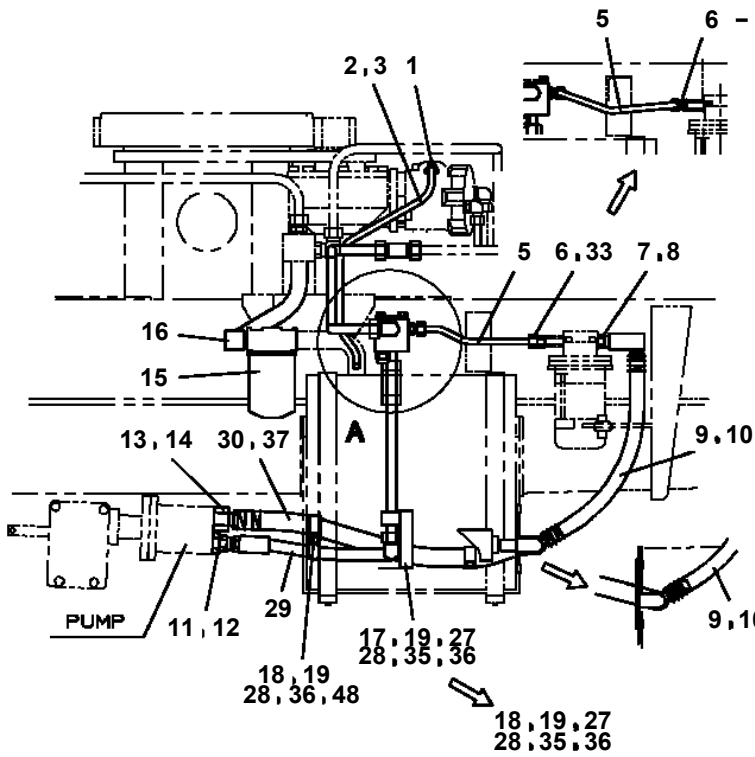


**AT-105-1 42055140500 LOWER, ISUZU U-NKR66EPN-5EXY
PB1410544-04 PIPING, HYDRAULIC LOWER**

**MOTOR, HYDRAULIC
(SWING)**



A

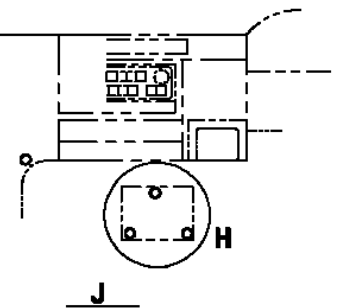
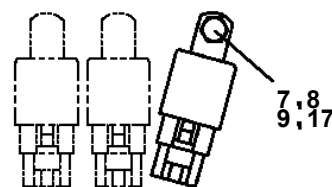
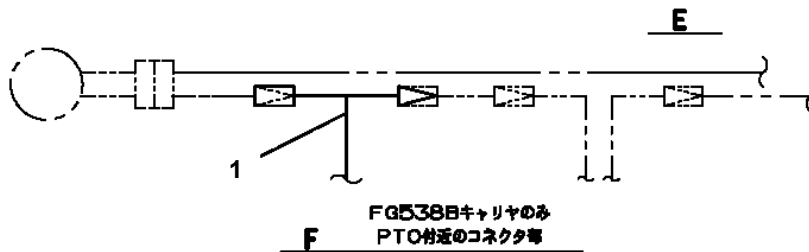
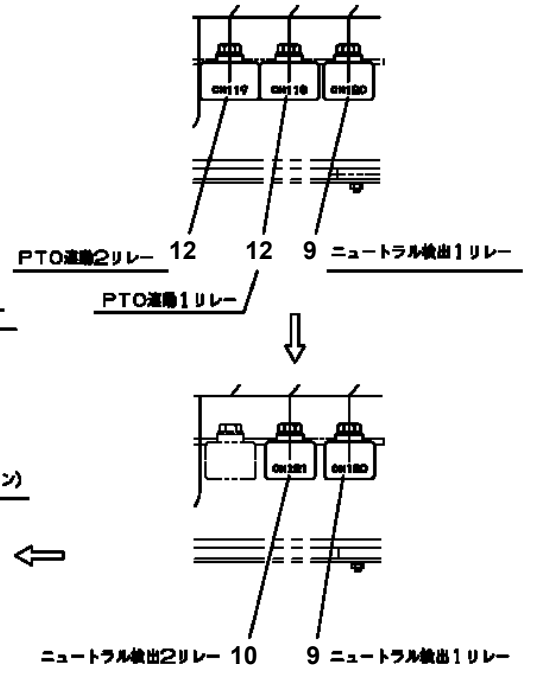
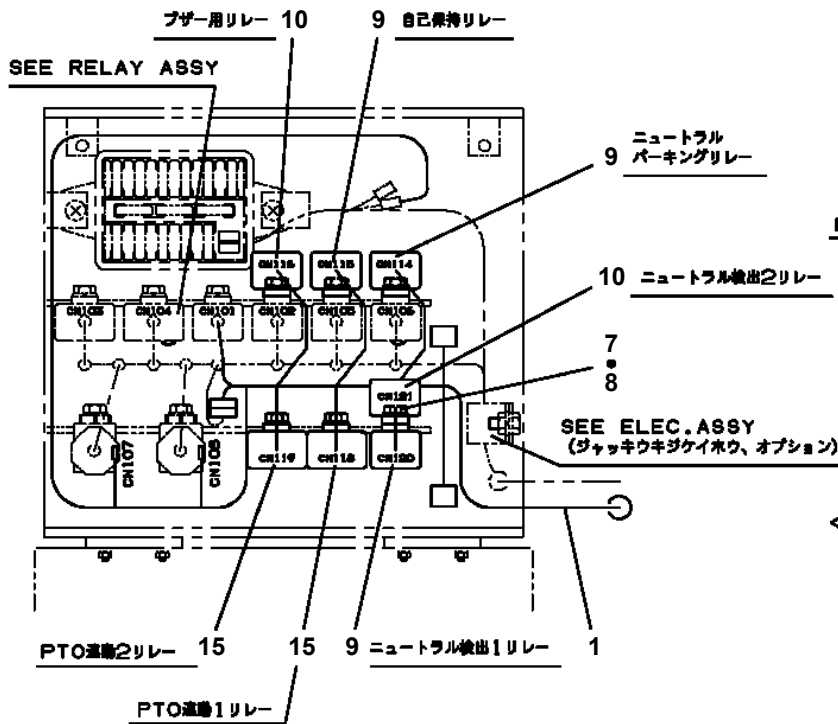
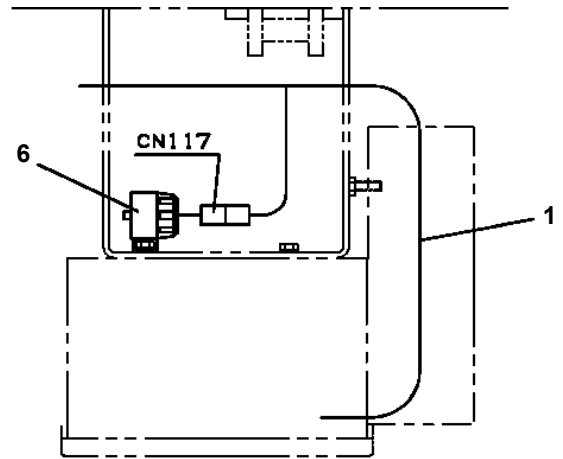
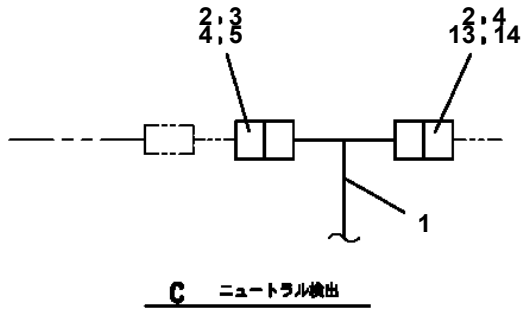


AT-105-1 42055140500 LOWER,ISUZU U-NKR66EPN-5EXY

Pos No.	Parts No	Parts Name	Qty	Unit	Technical Data	Serial No (Start)	Serial No (End)	Remarks	Page
1	90201200800	NUT	1		M8		215558		
	90201200800	NUT	2		M8	215559			
2	90101208020	BOLT	1		M8X20		215558		
	90101208020	BOLT	2		M8X20	215559			
3	90302040601	WASHER,SPRING	1		6				
4	90303070601	WASHER,PLAIN	2		6				
5	42712310010	SUPPORT	1				215894		
	42712310020	SUPPORT	1			215895			
6	80136320012	PIN,SPLIT	2		2X12				
7	37000112370	PIN	1						
8	42710500300	SUPPORT	1						
9	42712310100	SUPPORT	1						
10	82100002004	CLAMP	1		WR8				
11	37001701520	CABLE,CONTROL	1		L=1500				
12	90101210016	BOLT	4		M10X16				
13	90302041001	WASHER,SPRING	4		10				
14	90303070801	WASHER,PLAIN	1		8				
15	90201200600	NUT	1		M6				
16	37000105720	PIN	1						
17	82100002007	CLAMP	1		WRC10				
18	90302040801	WASHER,SPRING	3		8		215558		
	90302040801	WASHER,SPRING	4		8	215559			
20	82100001801	TUBE,CORRUGATE	2	M	7				
21	90101208012	BOLT	2		M8X12				
22	37000516100	PLATE	1			215559	215904		
	42712360100	SUPPORT	1			215905			
51	42712291100	SUPPORT	1						
52	90302040401	WASHER,SPRING	1		4				
53	82100001799	SOLENOID	1						
54	90101208020	BOLT	4		M8X20		216315		
	90101208014	BOLT	4		M8X14	216316			
55	90302040801	WASHER,SPRING	4		8				
56	82100002051	CLAMP	1		WS-A55				
57	80182306012	SCREW,MACHINE	1		M6X12				
58	42712291010	HARNESS	1						

0000

**AT-105-1 42055140500 LOWER,ISUZU U-NKR66EPN-5EXY
PN1012395-02 ELEC.ASSY (OPTION)**



CLICK HERE TO **DOWNLOAD** THE COMPLETE MANUAL

- Thank you very much for reading the preview of the manual.
- You can download the complete manual from: www.heydownloads.com by clicking the link below



- Please note: If there is no response to CLICKING the link, please download this PDF first and then click on it.

CLICK HERE TO **DOWNLOAD** THE COMPLETE MANUAL

AT-105-1 42055140500 LOWER,ISUZU U-NKR66EPN-5EXY

Pos No.	Parts No	Parts Name	Qty	Unit	Technical Data	Serial No (Start)	Serial No (End)	Remarks	Page
50	36652335010	GASKET	2						
51	36652335020	GASKET	2						
54	53063551010	SEAL,OIL	1						
55	80602110360	RING,RITAINING	1		R36				
100	36652780000	PUMP,OIL (27CC:L)	1						

AT-105-1 42055140500 LOWER,ISUZU U-NKR66EPN-5EXY

Pos No.	Parts No	Parts Name	Qty	Unit	Technical Data	Serial No (Start)	Serial No (End)	Remarks	Pages
1	42771930100	GUARD,SIDE	1				216511		
	42771930300	GUARD,SIDE	1			216512			
2	90101210020	BOLT	8		M10X20		216511		
	90101210025	BOLT	4		M10X25	216512			
3	90302041001	WASHER,SPRING	8		10				
4	90201201000	NUT	8		M10		216511		
	90201201000	NUT	4		M10	216512			
5	42771930200	GUARD,SIDE	1				216511		
	42773180200	GUARD,SIDE	1			216512			
6	90101210016	BOLT	4		M10X16	216512			

AT-105-1 42055140500 LOWER,ISUZU U-NKR66EPN-5EXY

Pos No.	Parts No	Parts Name	Qty	Unit	Technical Data	Serial No (Start)	Serial No (End)	Remarks	Pages
1	90101206016	BOLT	2		M6X16				
2	90302040601	WASHER,SPRING	17		6				
3	42930140100	SUPPORT	1						
4	82100002006	CLAMP	9		WR10				
5	90201200600	NUT	15		M6				
6	90101206025	BOLT	6		M6X25				
7	42804740100	SUPPORT	1				217092		
	42804740101	SUPPORT	1			217093			
8	90101208016	BOLT	6		M8X16				
9	90302040801	WASHER,SPRING	6		8				
10	42804740200	SUPPORT	1				217092		
	42804740201	SUPPORT	1			217093			
11	82100000191	TERMINAL	12						
12	82100000183	INSULATOR	12						
13	82100000192	TERMINAL	12						
14	82100000182	INSULATOR	12						

AT-105-1 42055140500 LOWER,ISUZU U-NKR66EPN-5EXY

Pos No.	Parts No	Parts Name	Qty	Unit	Technical Data	Serial No (Start)	Serial No (End)	Remarks	Page
1	42736791000	BOX ASSY	1				216282		
	42736791001	BOX ASSY	1			216283			
2	90101210020	BOLT	4		M10X20				
3	90302041001	WASHER,SPRING	4		10				
4	42736951000	BOX,TOOL	1						
11	42736791100	BOX	1				216282		
12	82464100201	HINGE	2						
13	80175305010	SCREW,MACHINE	6		M5X10				
14	90240200500	NUT,CAP	10		M5				
15	90302040501	WASHER,SPRING	12		5				
16	42736791200	COVER	1						
17	80172305010	SCREW,MACHINE	6		M5X10				
18	90101208016	BOLT	2		M8X16				
19	90302040801	WASHER,SPRING	2		8				
20	42736791300	SUPPORT	1						
21	82461015111	CATCH (WITH KEY)	1						
31	42736791101	BOX	1			216283			
51	42833322000	BOX,TOOL	1						0000
61	37000528210	PLATE	2						

AT-105-1 42055140500 LOWER,ISUZU U-NKR66EPN-5EXY

Pos No.	Parts No	Parts Name	Qty	Unit	Technical Data	Serial No (Start)	Serial No (End)	Remarks	P
1	42833327590	BODY,BOX	1						
2	42833327600	WINDOW	1						
3	42833327610	WINDOW	1						
4	42833327620	WINDOW	1						
6	42831877540	INSULATOR	4						
7	82400000393	INSULATOR	3						
8	42833077560	PLATE	7						
9	82461015111	CATCH (WITH KEY)	3						
10	82461015112	CATCH (WITHOUT KEY)	1						
11	82464110008	HINGE	7						
12	42833157590	STRIKER	4						
20	42833327630	WEATHER STRIP ASSY	1						
21	42833077610	BUSH	7						
50	42833321000	BOX,TOOL (RIGHT)	1						

AT-105-1 42055140500 LOWER,ISUZU U-NKR66EPN-5EXY

Pos No.	Parts No	Parts Name	Qty	Unit	Technical Data	Serial No (Start)	Serial No (End)	Remarks	Pages
1	42771180100	SUPPORT	1						
2	90101208016	BOLT	4		M8X16				
3	90302040801	WASHER,SPRING	4		8				

CLICK HERE TO **DOWNLOAD** THE COMPLETE MANUAL

- Thank you very much for reading the preview of the manual.
- You can download the complete manual from: www.heydownloads.com by clicking the link below



- Please note: If there is no response to CLICKING the link, please download this PDF first and then click on it.

CLICK HERE TO **DOWNLOAD** THE COMPLETE MANUAL