

**AT-101-1 42042160400 LOWER,TOYOTA Z-YU60-MDGT3**  
**PX1000218-04 MOUNTING PARTS**  
**ASSEMBLY**

CLICK HERE TO **DOWNLOAD** THE COMPLETE MANUAL

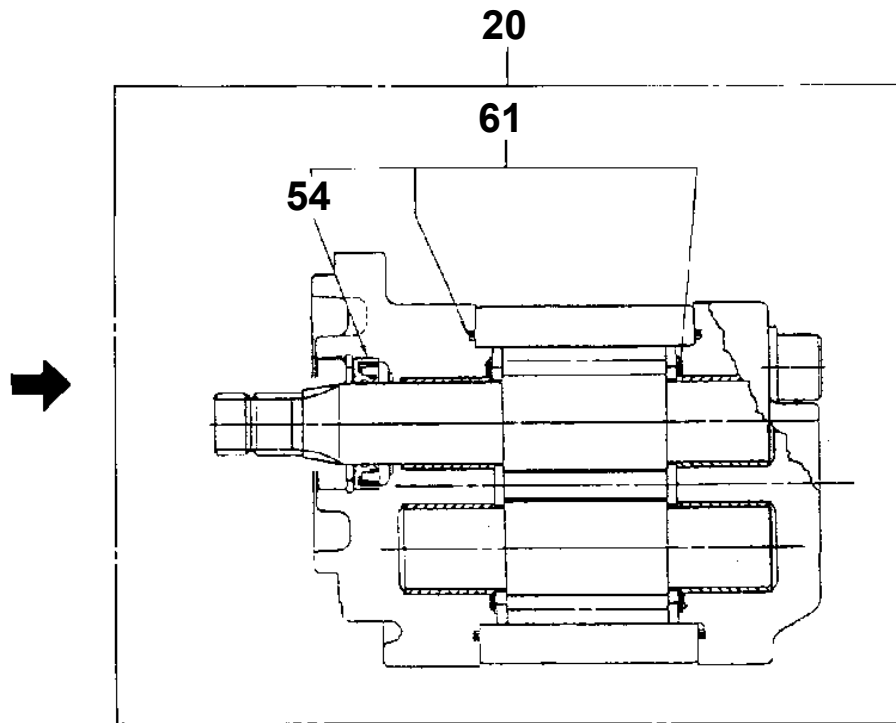
- Thank you very much for reading the preview of the manual.
- You can download the complete manual from: [www.heydownloads.com](http://www.heydownloads.com) by clicking the link below



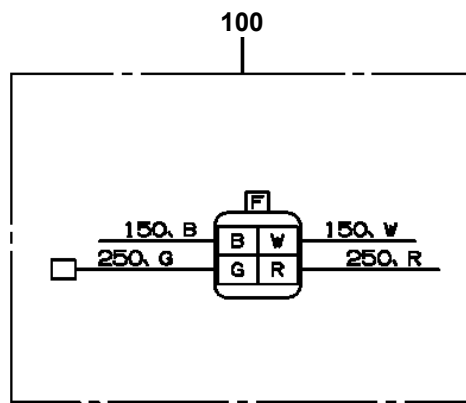
- Please note: If there is no response to CLICKING the link, please download this PDF first and then click on it.

CLICK HERE TO **DOWNLOAD** THE COMPLETE MANUAL

**AT-101-1 42042160400 LOWER, TOYOTA Z-YU60-MDGT3  
PB1100170-03 PUMP, HYDRAULIC**



AT-101-1 42042160400 LOWER,TOYOTA Z-YU60-MDGT3  
PH5033212-00 HARNESS

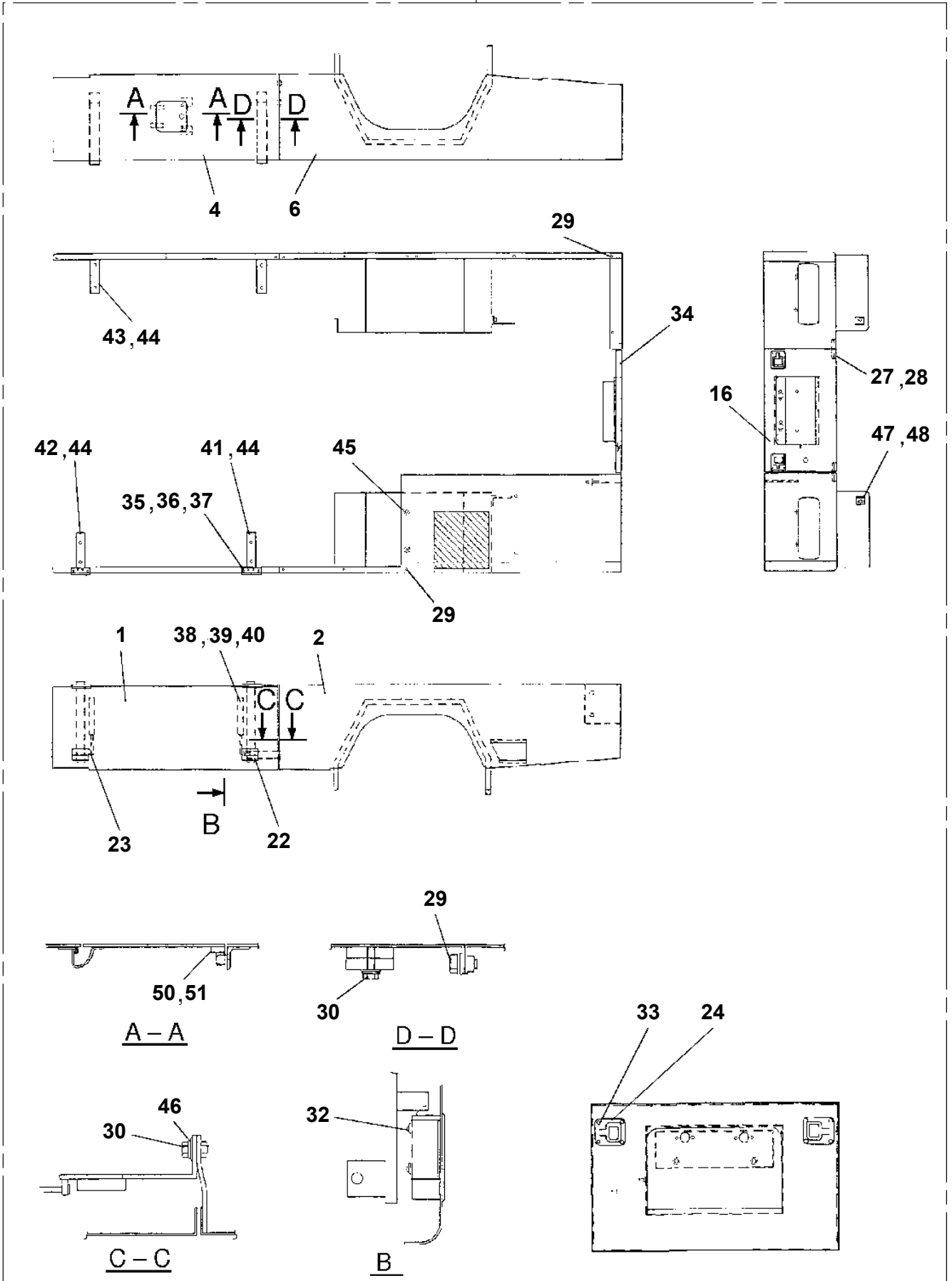






AT-101-1 42042160400 LOWER, TOYOTA Z-YU60-MDGT3  
PX1030356-00 FENDER

100



CLICK HERE TO **DOWNLOAD** THE COMPLETE MANUAL

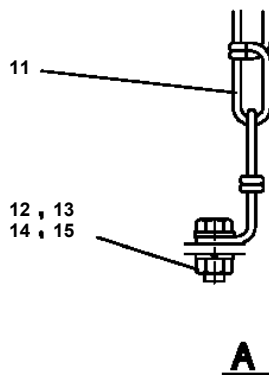
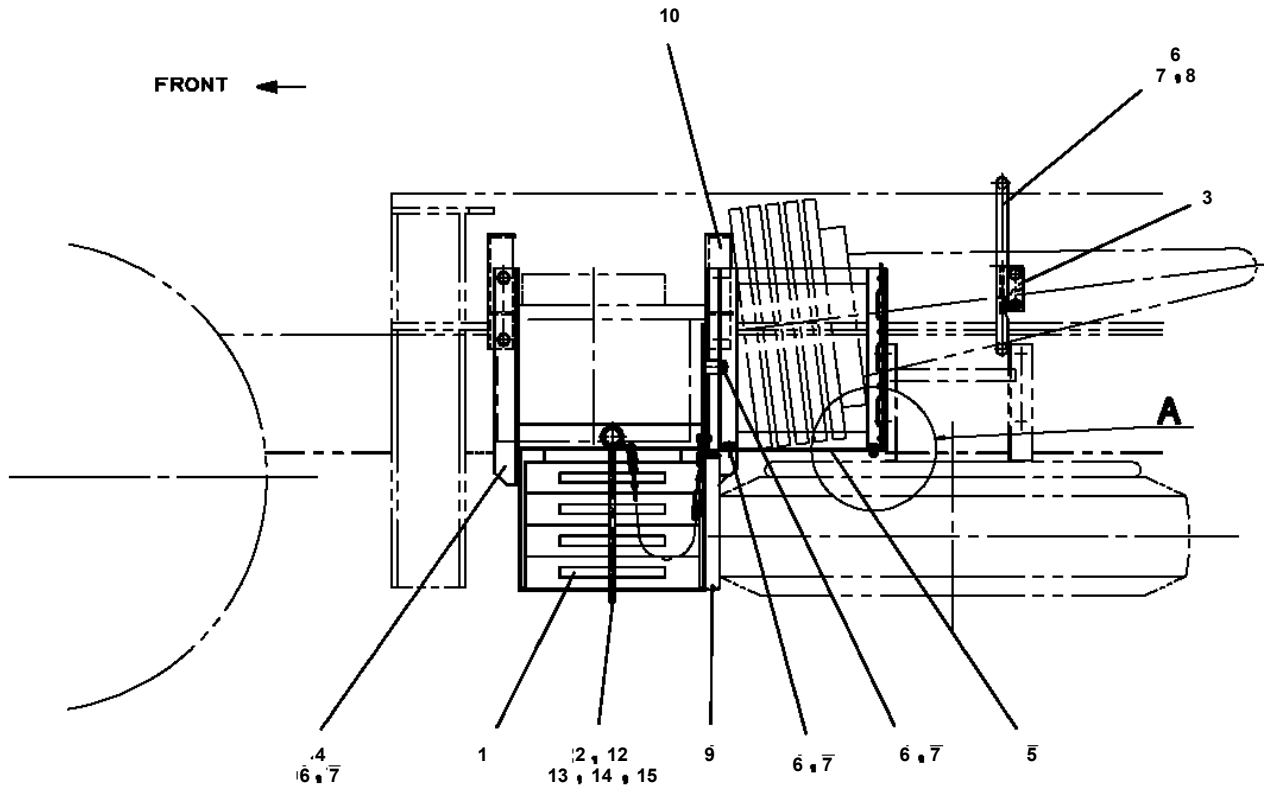
- Thank you very much for reading the preview of the manual.
- You can download the complete manual from: [www.heydownloads.com](http://www.heydownloads.com) by clicking the link below



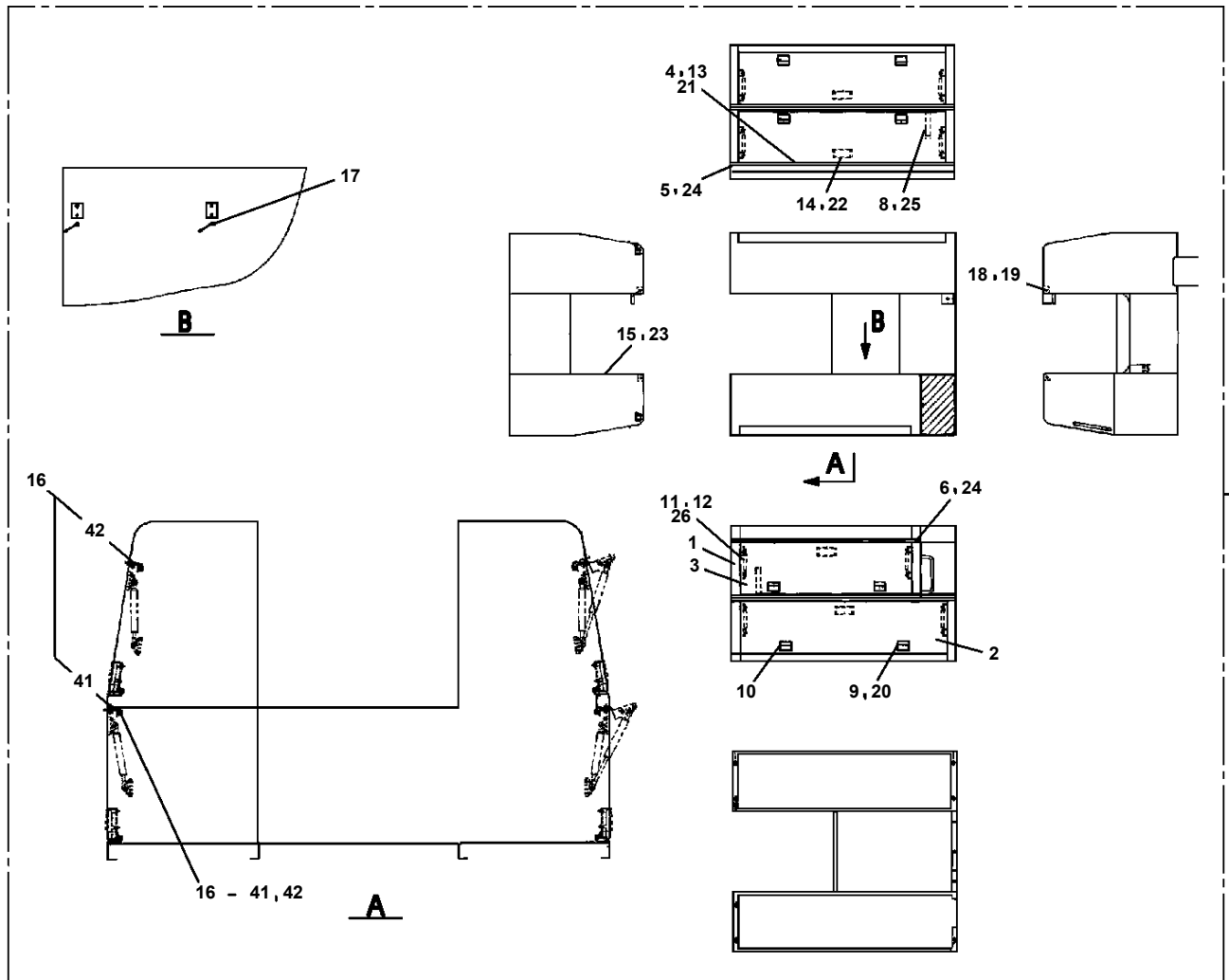
- Please note: If there is no response to CLICKING the link, please download this PDF first and then click on it.

CLICK HERE TO **DOWNLOAD** THE COMPLETE MANUAL

**AT-101-1 42042160400 LOWER, TOYOTA Z-YU60-MDGT3  
PX1270057-00 WOOD BLOCK (OPTION)**



AT-101-1 42042160400 LOWER, TOYOTA Z-YU60-MDGT3  
PX1350382-01 BOX, TOOL



# AT-101-1 42042160400 LOWER,TOYOTA Z-YU60-MDGT3

Pos No.	Parts No	Parts Name	Qty	Unit	Technical Data	Serial No (Start)	Serial No (E
1	42735880000	BOOSTER	1				
2	37000564600	PLATE	2				
3	37000564610	PLATE	2				
4	90101208014	BOLT	8		M8X14		
5	90303070801	WASHER,PLAIN	8		8		
6	42735840100	HARNESS	1				
7	91810130230	FASTENER	20				
8	42735840200	HARNESS	1				
9	80456240600	JOINT,SELF SEALING (WITH DUST CAP)	1				
10	42735840300	PLATE,NAME	1				
11	80172803014	SCREW,MACHINE	4		M3X14		
12	90302040301	WASHER,SPRING	4		3		
13	90201200300	NUT	4		M3		
14	82420102413	TRIM	N				
15	37000901820	JOINT	1		R3/8-G1/4		
16	37002456980	HOSE	1		L=1350		
17	80456020410	JOINT,SELF SEALING	1				
18	37002456990	HOSE	1		L=1700		
19	80456010410	JOINT,SELF SEALING	1				
20	42735840400	HOSE ASSY	1				250138
	42735840401	HOSE	1		L=1700	250139	
21	37000908330	JOINT	1				
22	82400000422	FASTENER	3				
23	42735840500	PLATE,NAME	1				
24	42320692220	SWITCH ASSY	1				
25	82197518114	CAP (MATSUSHITA/BLACK)	1				
	82197518119	CAP (PLUS ONE MFG./BLACK)	1				
26	42735840600	HARNESS	1				
27	37002800630	OIL,HYDRAULIC	1				
28	82100001411	TUBE,SPIRAL	1	M	SE-08BK	250139	
61	42471437520	CAP	1				
71	42340017540	CAP	1				
81	42340017530	CAP	1				

# AT-101-1 42042160400 LOWER,TOYOTA Z-YU60-MDGT3

Pos No.	Parts No	Parts Name	Qty	Unit	Technical Data	Serial No (Start)	Serial No (E
108	90131508020	BOLT,HEXAGON SOCKET	4		M8X20		
109	36050135100	SWITCH ASSY	1				
131	36050135130	SWITCH,LIMIT	1				
201	42734701000	BOOSTER	1				
202	42734502000	CONTROL UNIT	1				250147
	42734503500	CONTROL UNIT (BOOSTER)	1			250148	
204	36644560000	VALVE,SOLENOID (STD)	1				
205	42470721200	HOSE ASSY	1				
206	42734504000	CABLE	1		L=2000		
207	42471441100	BOOSTER ASSY	1				
221	42340017530	CAP	1				
222	42340017540	CAP	1				
223	42471437520	CAP	1				
224	42470407570	CAP	1				
250	42734700000	BOOSTER (STD)	1				

# AT-101-1 42042160400 LOWER,TOYOTA Z-YU60-MDGT3

Pos No.	Parts No	Parts Name	Qty	Unit	Technical Data	Serial No (Start)	Serial No (End)	Remarks	Page
2	42734722000	HARNESS	1				250152		0000
	42734722001	HARNESS	1			250153			0000
3	42734723000	CONNECTOR ASSY	3						
4	42734724000	PLATE,NAME	2				250152		
	42734724000	PLATE,NAME	1			250153			
5	82165905010	LAMP	2						
6	42734725000	SUPPORT	1						
7	91810130240	FASTENER	20						
8	82100000539	CLAMP	10		H-50		250152		
	82401601002	CLAMP	10			250153			
9	90101206010	BOLT	6		M6X1.0				
10	90302040601	WASHER,SPRING	6		6		250139		
	90302040601	WASHER,SPRING	8		6	250140			
11	42734725100	SUPPORT	2						
12	90101208016	BOLT	6		M8X16				
13	90302040801	WASHER,SPRING	6		8				
14	90303070801	WASHER,PLAIN	4		8		250152		
15	90201200800	NUT	6		M8		250152		
16	80181306010	SCREW,MACHINE	2		M6X10	250140	250148		
	80181306016	SCREW,MACHINE	2		M6X16	250149			
17	90201200600	NUT	2		M6	250140			
25	82100002684	SOCKET	3						
26	42734723100	COVER ASSY	3						
27	80172304008	SCREW,MACHINE	6		M4X8				
28	90302040401	WASHER,SPRING	6		4				
29	90201200400	NUT	6		M4		250138		
30	42734723300	SUPPORT	3			250139			
41	42734721100	HARNESS	1				250152		0000
42	42734721200	SUPPORT	1				250139		
71	42734723110	SUPPORT	3						
72	42734723140	SUPPORT	3						
73	90201200300	NUT	36		M3				
74	80172303008	SCREW,MACHINE	12		M3X8				
75	90302040301	WASHER,SPRING	36		3				
76	90303070301	WASHER,PLAIN	6		3				
77	82480001103	CATCH	3						
78	80176803008	SCREW,MACHINE	24		M3X8				
79	82464102700	HINGE	6						
80	82400000201	GROMMET	3		KG-016				
91	42734721101	HARNESS	1			250153			0000
92	42734726100	PLATE	1			250140			

# AT-101-1 42042160400 LOWER,TOYOTA Z-YU60-MDGT3

Pos No.	Parts No	Parts Name	Qty	Unit	Technical Data	Serial No (Start)	Serial No (End)	Remarks	Pages
1	42942330100	REFLECTOR	14						

CLICK HERE TO **DOWNLOAD** THE COMPLETE MANUAL

- Thank you very much for reading the preview of the manual.
- You can download the complete manual from: [www.heydownloads.com](http://www.heydownloads.com) by clicking the link below



- Please note: If there is no response to CLICKING the link, please download this PDF first and then click on it.

CLICK HERE TO **DOWNLOAD** THE COMPLETE MANUAL