

AT-100-2 42063242100 LOWER,ISUZU PB-NKR81N-E5JXHY-B

PB3000082-00 POWER UNIT
PO1000149-00 INDICATION PLATES
PX2000497-01 CARRIER UNIT
PX3000299-00 MOUNTING UNIT
PY1000643-03 OPTIONS
ASSEMBLY

CLICK HERE TO **DOWNLOAD** THE COMPLETE MANUAL

- Thank you very much for reading the preview of the manual.
- You can download the complete manual from: www.heydownloads.com by clicking the link below



- Please note: If there is no response to CLICKING the link, please download this PDF first and then click on it.

CLICK HERE TO **DOWNLOAD** THE COMPLETE MANUAL

AT-100-2 42063242100 LOWER,ISUZU PB-NKR81N-E5JXHY-B

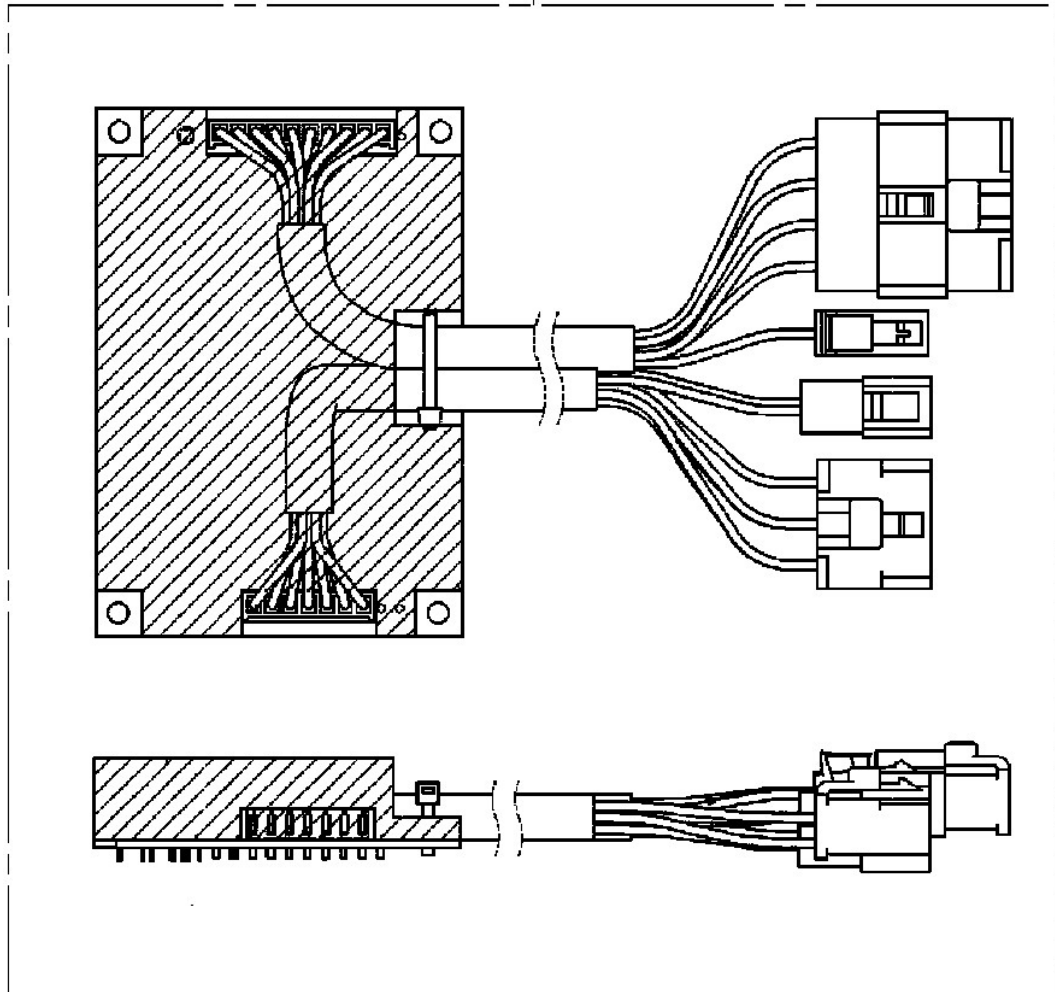
Pos No.	Parts No	Parts Name	Qty	Unit	Technical Data	Serial No (Start)	Serial No (End)
1	(*****)	POWER SUPPLY (LOWER)	1				
2	(*****)	BOX,TOOL (OPTION)	1				
3	(*****)	MOUNT,SUPPORT	1				
4	(*****)	EARTHING DEVICE (8X20M)	1				
	(*****)	EARTHING DEVICE (8X10M,OPTION)	1				
6	(*****)	OPE.ASSY (LEVELING/WITH POWER SUPPLY)	1				
	(*****)	OPE.ASSY (LEVELING/WITHOUT POWER SUPPLY)	1				
8	(*****)	STEP	1			217780	
9	(*****)	VIEW SYSTEM (FOR ISUZU/ST-900)	1				

AT-100-2 42063242100 LOWER,ISUZU PB-NKR81N-E5JXHY-B

Pos No.	Parts No	Parts Name	Qty	Unit	Technical Data	Serial No (Start)	Serial No (End)	Remarks	Pages
1	36654110000	PUMP,HYDRAULIC	1						00000

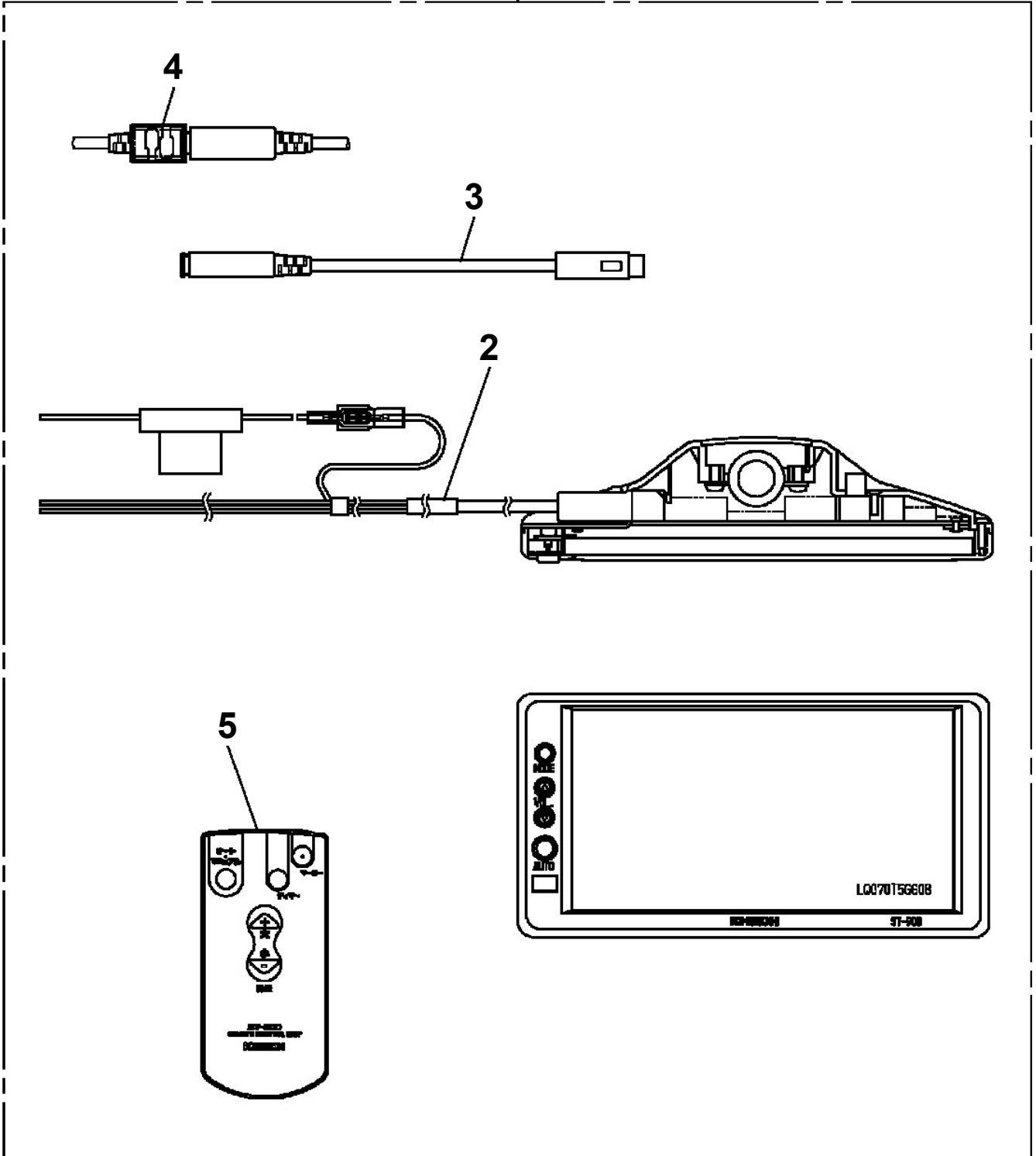
AT-100-2 42063242100 LOWER,ISUZU PB-NKR81N-E5JXHY-B
PC5420023-00 CONTROLLER

100

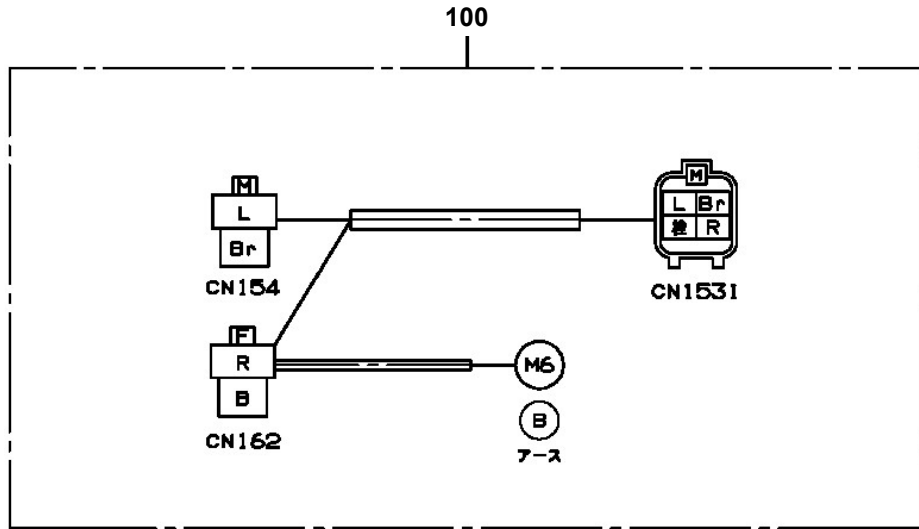


AT-100-2 42063242100 LOWER,ISUZU PB-NKR81N-E5JXHY-B
PH1710015-00 DISPLAY

100



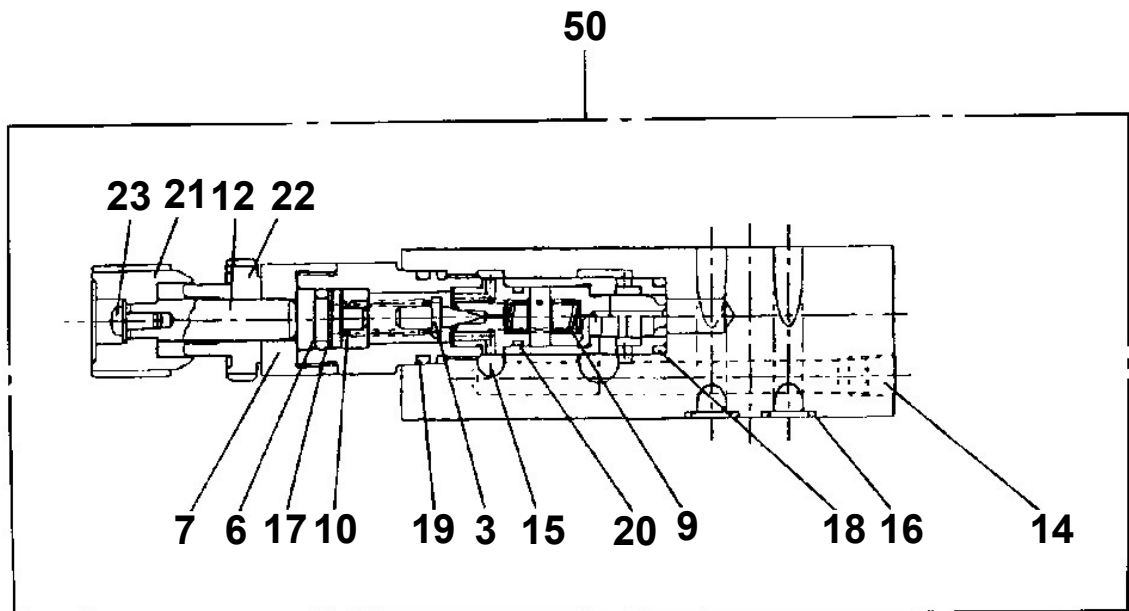
AT-100-2 42063242100 LOWER,ISUZU PB-NKR81N-E5JXHY-B
PH5032160-00 HARNESS



AT-100-2 42063242100 LOWER,ISUZU PB-NKR81N-E5JXHY-B

PI1100078-00 VALVE,RELIEF

Assembly Name VALVE, RELIEF



CLICK HERE TO **DOWNLOAD** THE COMPLETE MANUAL

- Thank you very much for reading the preview of the manual.
- You can download the complete manual from: www.heydownloads.com by clicking the link below



- Please note: If there is no response to CLICKING the link, please download this PDF first and then click on it.

CLICK HERE TO **DOWNLOAD** THE COMPLETE MANUAL

AT-100-2 42063242100 LOWER,ISUZU PB-NKR81N-E5JXHY-B

Pos No.	Parts No	Parts Name	Qty	Unit	Technical Data	Serial No (Start)	Serial No (End)
3	36625205020	SPRING	1				
4	36625245010	PLUG	1				
5	91002801800	O-RING	1		1B P18		
50	36625240000	VALVE,CHECK (MORIKAWA GAUGE)	1				

AT-100-2 42063242100 LOWER,ISUZU PB-NKR81N-E5JXHY-B

Pos No.	Parts No	Parts Name	Qty	Unit	Technical Data	Serial No (Start)	Serial No (E
1	(*****)	MOUNT,SUPPORT	1				
2	(*****)	ELEC.ASSY (BUCKET/LEVELNG)	1				
3	(*****)	ELEC.ASSY (SWING FRAME/LEVELING)	1				
4	(*****)	PIPING,UPPER (WITH HYDRAULIC OUTLET)	1				
9	(*****)	ELEC.ASSY (BOOM/LEVELING)	1				

AT-100-2 42063242100 LOWER,ISUZU PB-NKR81N-E5JXHY-B

Pos No.	Parts No	Parts Name	Qty	Unit	Technical Data	Serial No (Start)	Serial No (End)	Remarks
1	42934190100	HARNESS	1					
2	91810132530	FASTENER	10					
3	90302040601	WASHER,SPRING	1		6			
4	82100002012	CLAMP	1		WR18			
5	90201200600	NUT	1		M6			
6	82115001002	CONNECTOR	2					
7	42351790020	PLUG (3 POLES,FEMALE)	1					

AT-100-2 42063242100 LOWER,ISUZU PB-NKR81N-E5JXHY-B

Pos No.	Parts No	Parts Name	Qty	Unit	Technical Data	Serial No (Start)	Serial No (End)	Remarks	Pages
1	42940090010	PLATE,NAME	1						
2	37002204230	PLATE,NAME	1						
3	37002224450	PLATE,NAME	1						

AT-100-2 42063242100 LOWER,ISUZU PB-NKR81N-E5JXHY-B

Pos No.	Parts No	Parts Name	Qty	Unit	Technical Data	Serial No (Start)	Serial No (End)	Remarks	Pages
1	42773460101	GUARD,SIDE	1						
2	90101210020	BOLT	8		M10X20				
3	90302041001	WASHER,SPRING	8		10				
4	90201201000	NUT	4		M10				
5	42774390200	GUARD,SIDE	1						
6	82400000393	INSULATOR	1				218048		
	82400000393	INSULATOR	2			218049			
7	80172804020	SCREW,MACHINE	1		M4X20		218048		
	80172804020	SCREW,MACHINE	2		M4X20	218049			
8	90303070401	WASHER,PLAIN	1		4		218048		
	90303070401	WASHER,PLAIN	2		4	218049			
9	90302040401	WASHER,SPRING	1		4		218048		
	90302040401	WASHER,SPRING	2		4	218049			
10	90303071001	WASHER,PLAIN	2		10	218758			

AT-100-2 42063242100 LOWER,ISUZU PB-NKR81N-E5JXHY-B

Pos No.	Parts No	Parts Name	Qty	Unit	Technical Data	Serial No (Start)	Serial No (End)	Remarks	Pages
1	90101206016	BOLT	8		M6X16				
2	90302040601	WASHER,SPRING	8		6				
3	42930140100	SUPPORT	1				218436		
	42806990300	SUPPORT	1			218437			
4	91850400601	CLAMP	3						
5	90201200600	NUT	6		M6				
6	34700161000	LEVEL	1						
7	42806990100	SUPPORT	1						
8	90101208016	BOLT	4		M8X16				
9	90302040801	WASHER,SPRING	4		8				
10	42806990200	SUPPORT	1						
11	91810132530	FASTENER	13						
12	82100000191	TERMINAL	12				217819		000023
	42806830400	HARNESS	1			217820			
13	82100000183	INSULATOR	12				217819		
	42806830800	HARNESS	1			217820			000024
14	82100000192	TERMINAL	12				217819		
15	82100000182	INSULATOR	12				217819		

AT-100-2 42063242100 LOWER,ISUZU PB-NKR81N-E5JXHY-B

Pos No.	Parts No	Parts Name	Qty	Unit	Technical Data	Serial No (Start)	Serial No (End)	Remarks	Pages
1	42737761000	BOX,TOOL	1						000063
2	90101208014	BOLT	4		M8X14				
3	90302040801	WASHER,SPRING	4		8				
4	37000547660	PLATE	2		T=2.3				
5	42737760010	PLATE	2						

CLICK HERE TO **DOWNLOAD** THE COMPLETE MANUAL

- Thank you very much for reading the preview of the manual.
- You can download the complete manual from: www.heydownloads.com by clicking the link below



- Please note: If there is no response to CLICKING the link, please download this PDF first and then click on it.

CLICK HERE TO **DOWNLOAD** THE COMPLETE MANUAL