

AT-100-2 42063241700 LOWER,ISUZU KR-NKR81EP 5EXYNB

PB3000082-00 POWER UNIT
PO1000123-00 INDICATION PLATES
PX2000180-00 CARRIER UNIT
PX3000149-01 MOUNTING UNIT
PY1000699-00 OPTIONS
ASSEMBLY

CLICK HERE TO **DOWNLOAD** THE COMPLETE MANUAL

- Thank you very much for reading the preview of the manual.
- You can download the complete manual from: www.heydownloads.com by clicking the link below



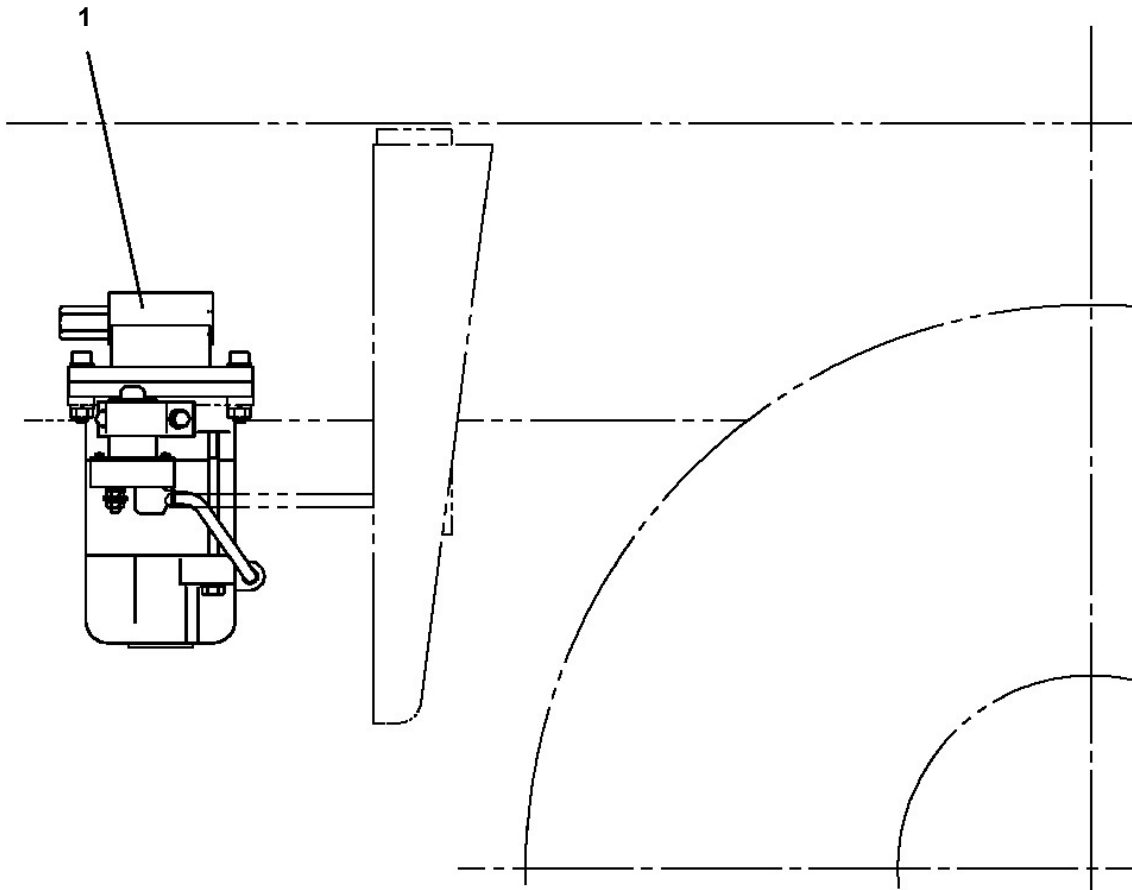
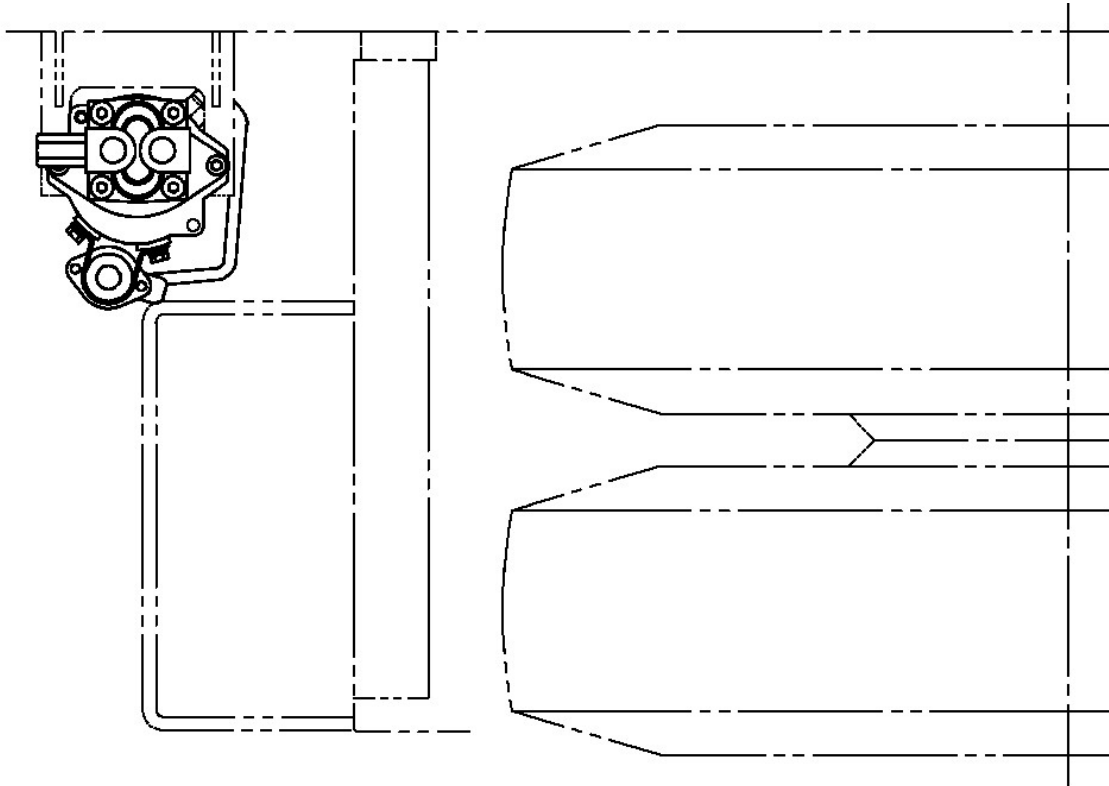
- Please note: If there is no response to CLICKING the link, please download this PDF first and then click on it.

CLICK HERE TO **DOWNLOAD** THE COMPLETE MANUAL

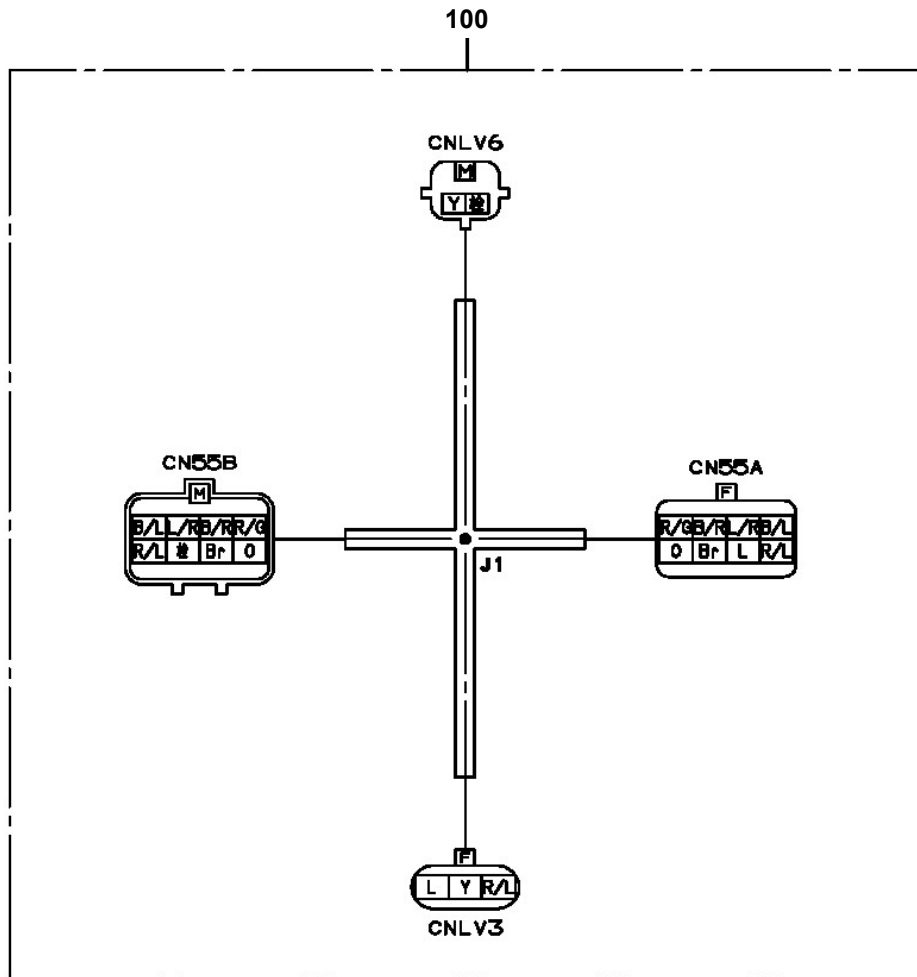
AT-100-2 42063241700 LOWER,ISUZU KR-NKR81EP 5EXYNB

Pos No.	Parts No	Parts Name	Qty	Unit	Technical Data	Serial No (Start)	Serial I
1	(*****)	MOUNT,SUPPORT	1				
2	(*****)	ELEC.ASSY (BUCKET/LEVELNG)	1				
3	(*****)	ELEC.ASSY (SWING FRAME/LEVELING)	1				
4	(*****)	PIPING,UPPER (WITHOUT HYDRAULIC OUTLET)	1				
5	(*****)	PIPING,OUTLET	1				
9	(*****)	ELEC.ASSY (BOOM/LEVELING)	1				

**AT-100-2 42063241700 LOWER,ISUZU KR-NKR81EP 5EXYNB
PB1110008-00 MOUNT,PUMP (EMERGENCY)**



AT-100-2 42063241700 LOWER,ISUZU KR-NKR81EP 5EXYNB
PH5032162-00 HARNESS



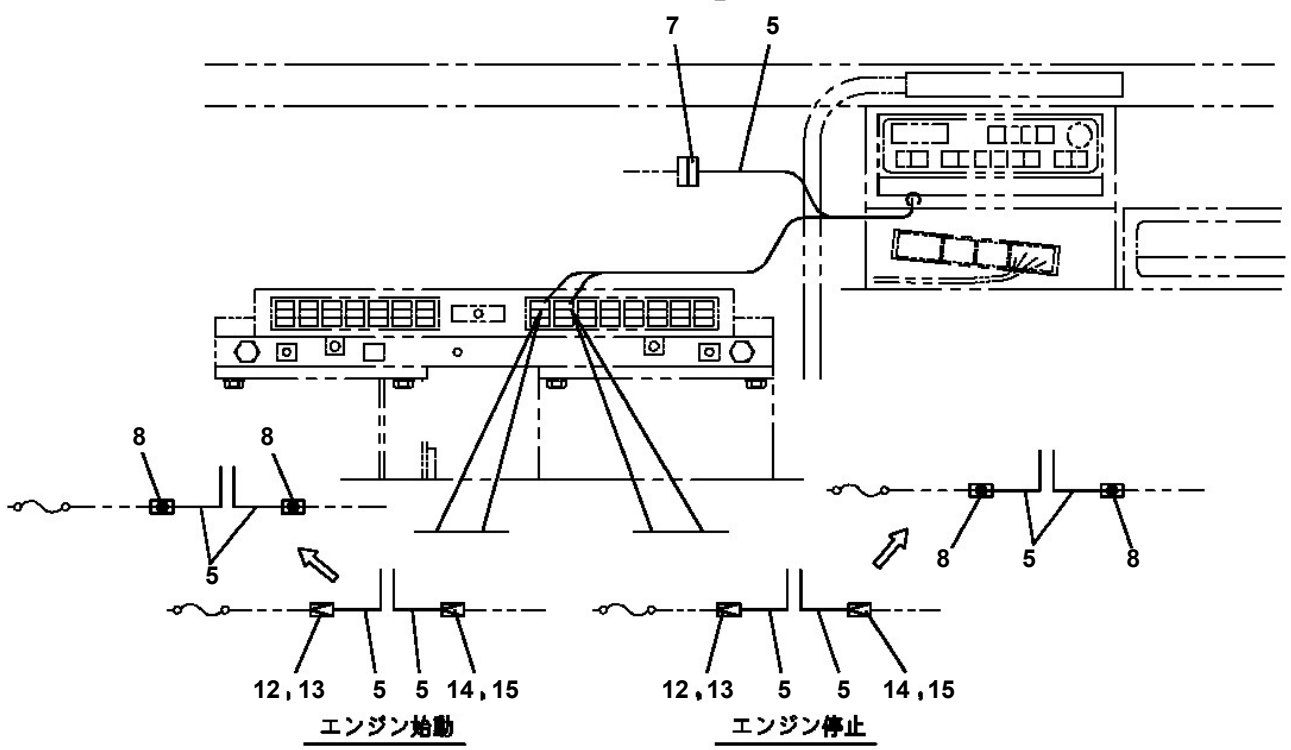
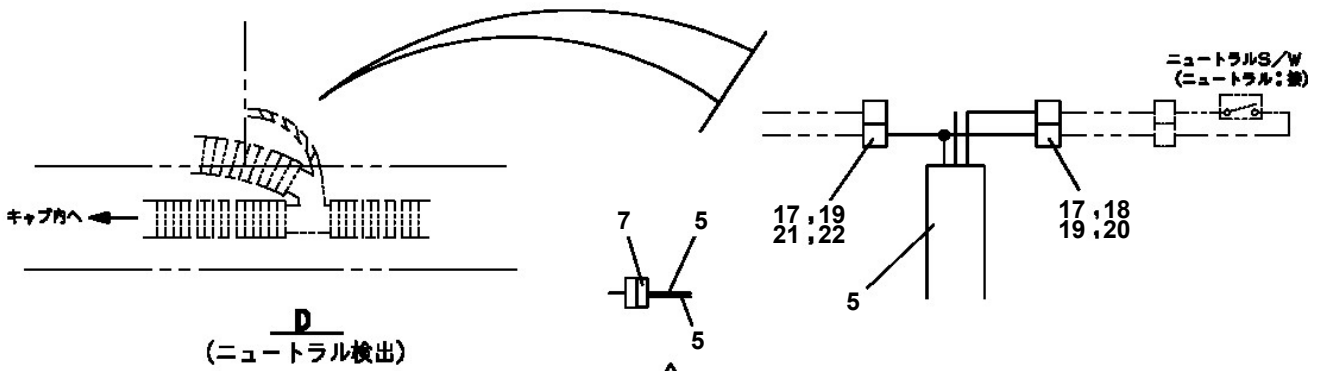
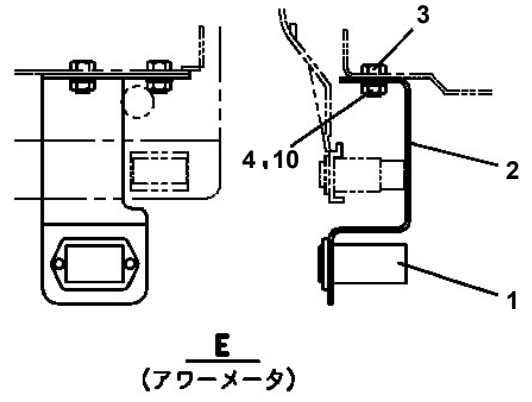
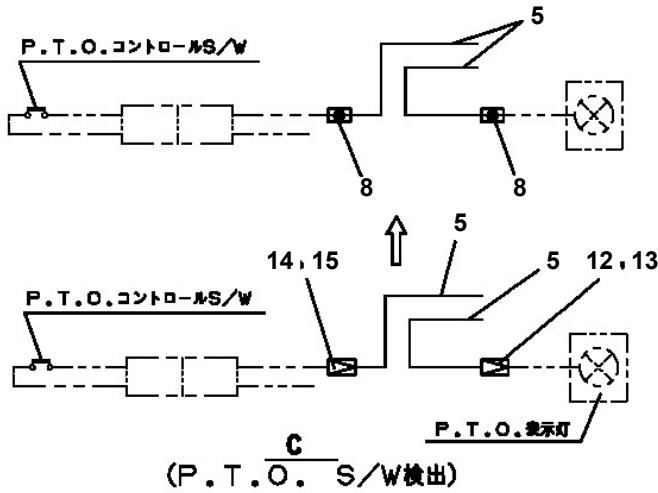
AT-100-2 42063241700 LOWER,ISUZU KR-NKR81EP 5EXYNB

Pos No.	Parts No	Parts Name	Qty	Unit	Technical Data	Serial No (Start)	Serial No (End)	Remarks
1	36642765070	PLUG	1					
2	36642765080	SPRING	2					
3	36642765050	O-RING	1				218078	
	36642765050	O-RING	1					
4	36642765060	WASHER (CENTER)	2					
6	91000501200	O-RING	4					
21	36643435030	NUT	1				218078	
22	91000501900	O-RING	1				218078	
23	36642765090	CORE ASSY (SOLENOID)	1				218078	
24	36645355010	COIL,SOLENOID	1				218078	
25	36643435070	PACKING	1				218078	
31	36741765010	NUT	1			218079		
32	36741765020	O-RING	1			218079		
33	36741765030	CORE ASSY (SOLENOID)	1			218079		
34	36645335010	COIL,SOLENOID	1			218079		
35	36648475110	O-RING	1			218079		
37	36643435040	PIN,SPRING	4					
41	36644965010	O-RING	1			218079		
100	36645350000	VALVE,SOLENOID	1					

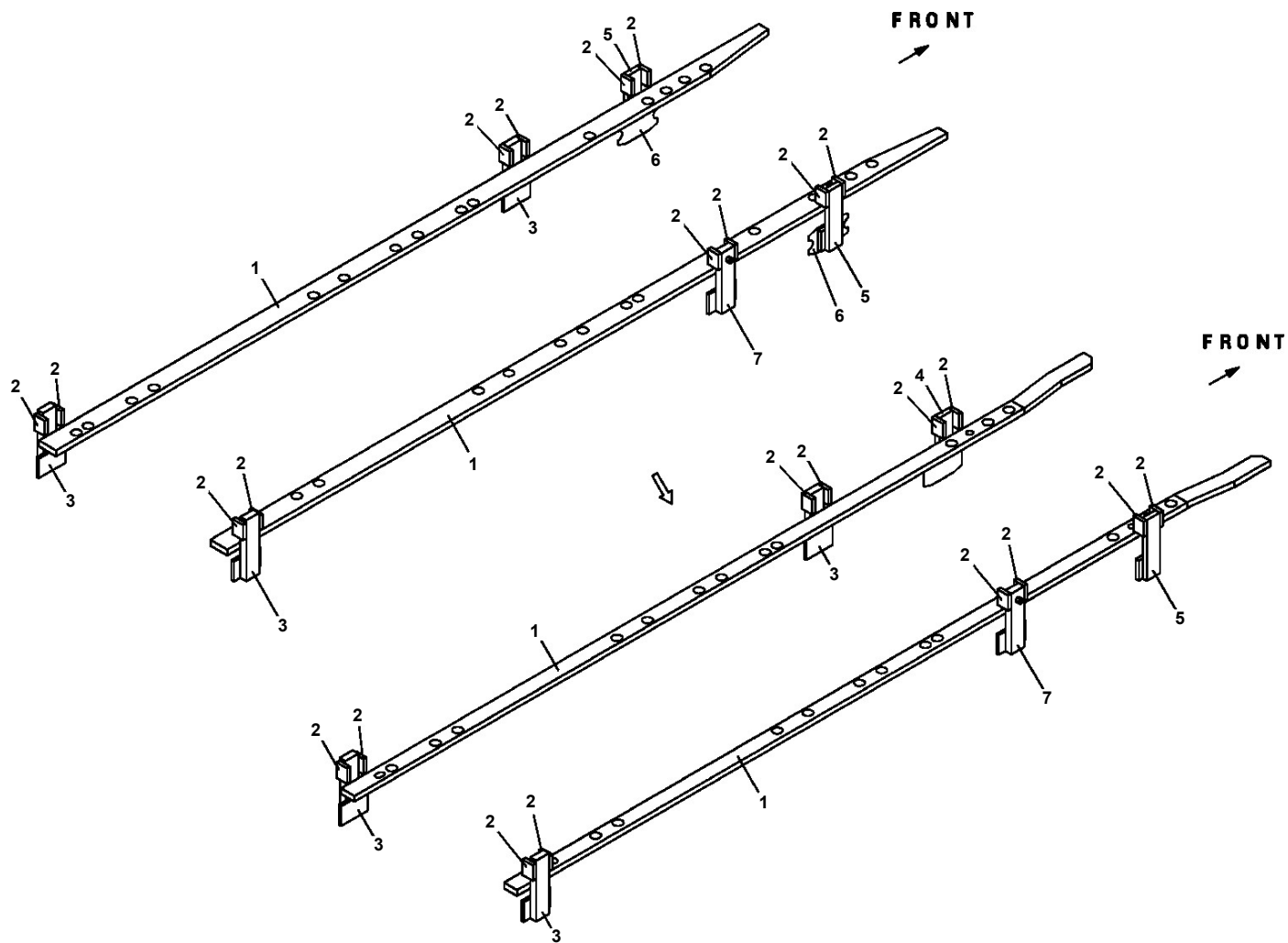
AT-100-2 42063241700 LOWER,ISUZU KR-NKR81EP 5EXYNB

Pos No.	Parts No	Parts Name	Qty	Unit	Technical Data	Serial No (Start)	Serial No (End)	Remark
1	42714821000	BOX ASSY	1					
2	80182306010	SCREW,MACHINE	2		M6X10			
3	90302040601	WASHER,SPRING	2		6			
5	90101208016	BOLT	4		M8X16			
6	90302040801	WASHER,SPRING	4		8			
7	91810130240	FASTENER	7					
8	42714372000	HARNESS	1					
9	44431000010	PLUG	1					
10	42714820100	HARNESS	1					
31	42714821100	CASE	1					
32	42714821200	COVER	1					
33	42652131301	CONTROLLER	1					
34	80192484010	SCREW,MACHINE	4		M4X10			
35	80172304010	SCREW,MACHINE	4		M4X10			
36	90302040401	WASHER,SPRING	4		4			
37	90303070401	WASHER,PLAIN	4		4			
51	42714371101	SUPPORT	1					
52	42714371201	COVER	1					
53	90101206012	BOLT	7		M6X12			
54	90302040601	WASHER,SPRING	7		6			
55	42714371400	MOTOR ASSY (ASSY ONLY)	1					
56	90101208035	BOLT	2		M8X35			
57	90201200800	NUT	2		M8			
58	90302040801	WASHER,SPRING	4		8			
59	37000105720	PIN	1					
60	80136320010	PIN,SPLIT	1		2X10			
61	90303070601	WASHER,PLAIN	1		6			
62	82100002006	CLAMP	1		WR10			
63	90303070801	WASHER,PLAIN	2		8			
64	42714371300	SUPPORT	1					
65	90101208020	BOLT	2		M8X20			

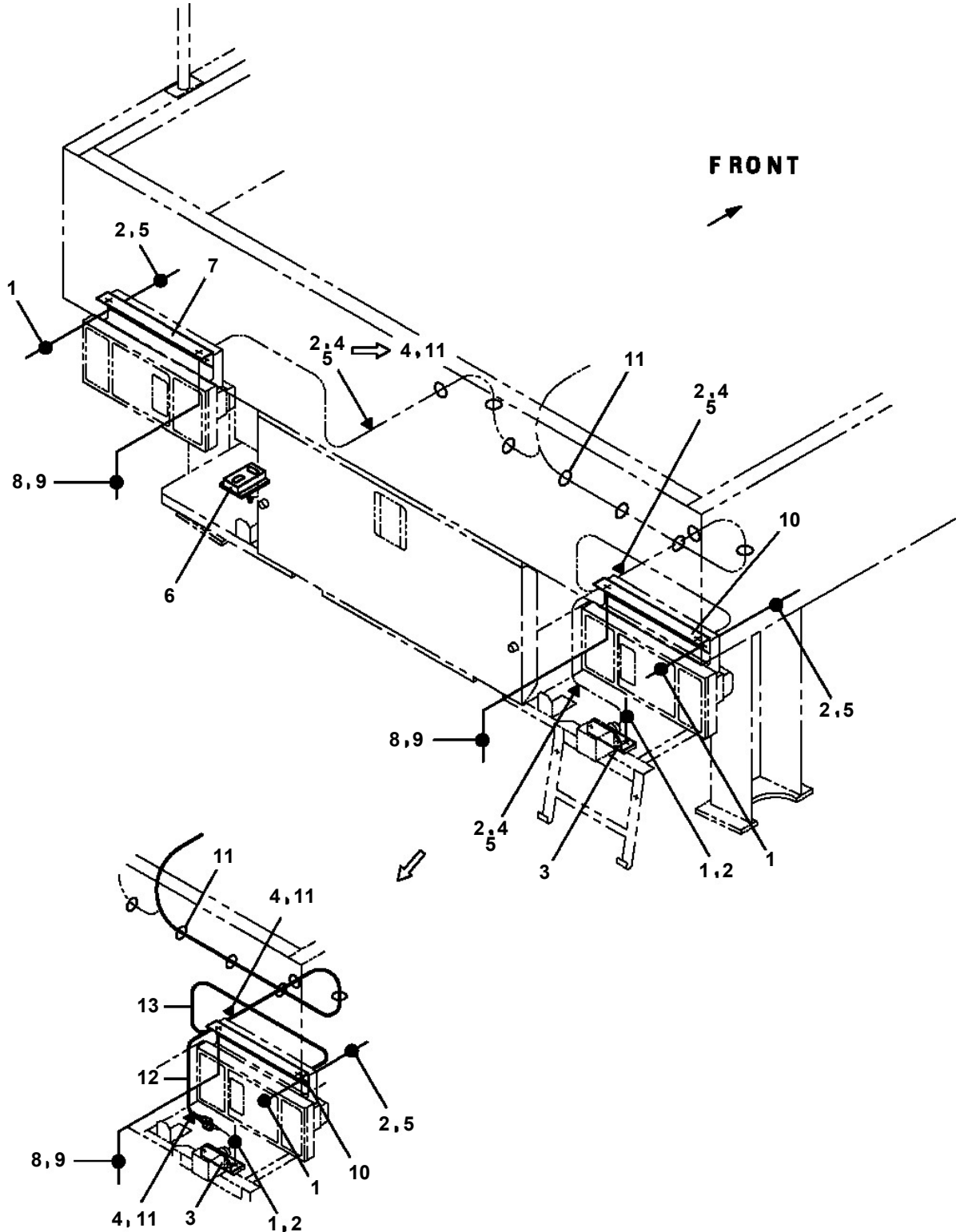
**AT-100-2 42063241700 LOWER,ISUZU KR-NKR81EP 5EXYNB
PN1013153-02 ELEC.ASSY (CARRIER)**



**AT-100-2 42063241700 LOWER,ISUZU KR-NKR81EP 5EXYNB
PX1170467-01 ATTACHMENT PARTS,CRANE FRAME**



**AT-100-2 42063241700 LOWER,ISUZU KR-NKR81EP 5EXYNB
PX1310099-02 MOUNT,LAMP (TAIL)**



N/A



IF THE CABLE LENGTH IS NOT ENOUGH,USE 12,13,14,15

CLICK HERE TO **DOWNLOAD** THE COMPLETE MANUAL

- Thank you very much for reading the preview of the manual.
- You can download the complete manual from: www.heydownloads.com by clicking the link below



- Please note: If there is no response to CLICKING the link, please download this PDF first and then click on it.

CLICK HERE TO **DOWNLOAD** THE COMPLETE MANUAL