

AT-100-2 42063220300 LOWER,MITSUBISHI KK-FE53EB 4UKA1

PB3000082-00 POWER UNIT
PO1000149-00 INDICATION PLATES
PX2000492-01 CARRIER UNIT
PX3000299-00 MOUNTING UNIT
PY1000643-03 OPTIONS
ASSEMBLY

CLICK HERE TO **DOWNLOAD** THE COMPLETE MANUAL

- Thank you very much for reading the preview of the manual.
- You can download the complete manual from: www.heydownloads.com by clicking the link below



- Please note: If there is no response to CLICKING the link, please download this PDF first and then click on it.

CLICK HERE TO **DOWNLOAD** THE COMPLETE MANUAL

AT-100-2 42063220300 LOWER,MITSUBISHI KK-FE53EB 4UKA1

Pos No.	Parts No	Parts Name	Qty	Unit	Technical Data	Serial No (Start)	Serial No (End)
1	(*****)	POWER SUPPLY (LOWER)	1				
2	(*****)	BOX,TOOL (OPTION)	1				
3	(*****)	MOUNT,SUPPORT	1				
4	(*****)	EARTHING DEVICE (8X10M,OPTION)	1				
	(*****)	EARTHING DEVICE (8X20M)	1				
6	(*****)	OPE.ASSY (LEVELING/WITHOUT POWER SUPPLY)	1				
	(*****)	OPE.ASSY (LEVELING/WITH POWER SUPPLY)	1				
8	(*****)	STEP	1			217780	
9	(*****)	VIEW SYSTEM (FOR ISUZU/ST-900)	1				

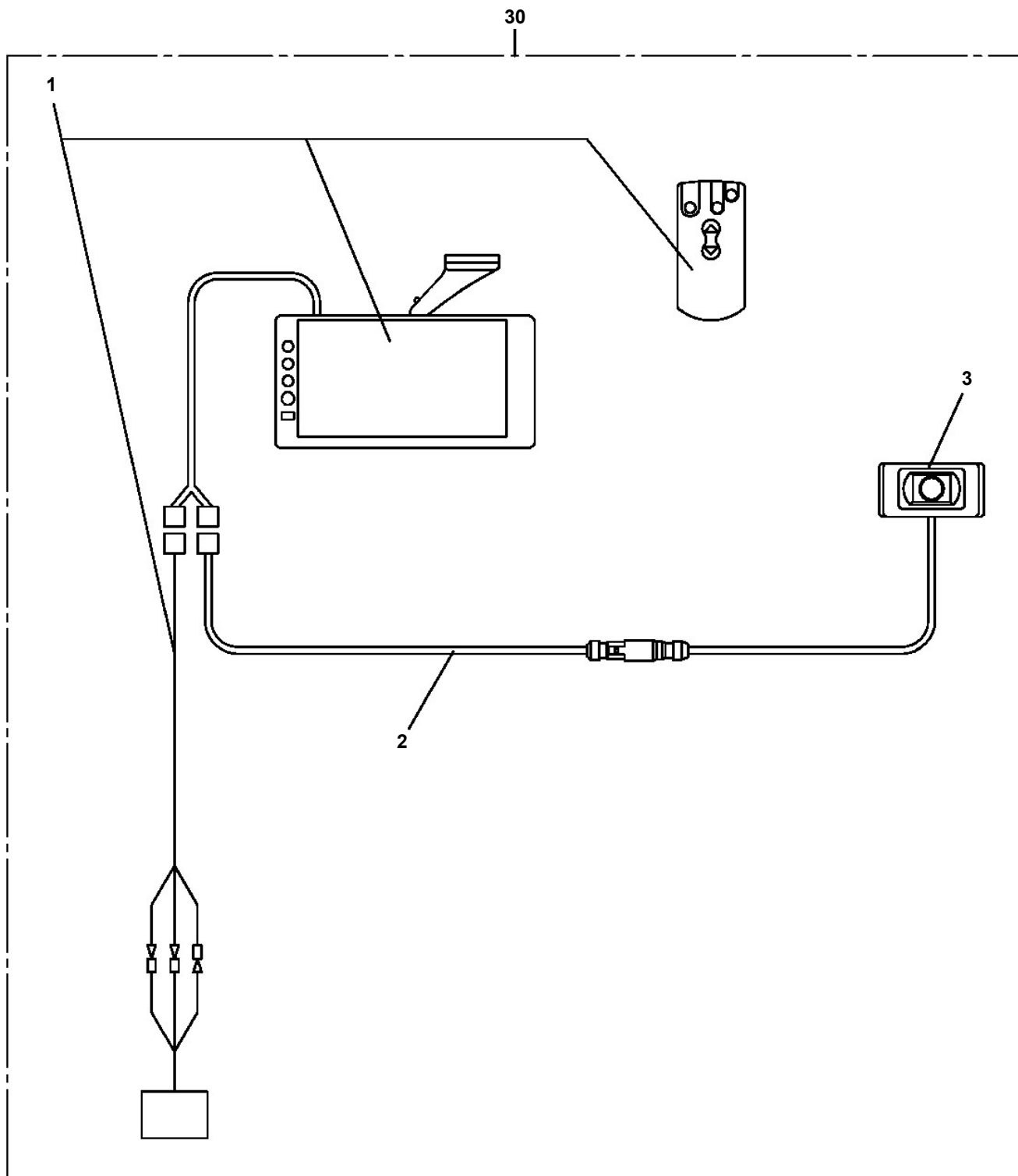
AT-100-2 42063220300 LOWER,MITSUBISHI KK-FE53EB 4UKA1

Pos No.	Parts No	Parts Name	Qty	Unit	Technical Data	Serial No (Start)	Serial No (End)	R
1	31611617590	MOTOR ASSY	1					
3	36653405040	CAP	1					
8	36652025040	O-RING	1		S55			
9	36652625030	VALVE,CHECK	1					
10	36652625040	PUMP ASSY	1					
27	36652665060	O-RING	1		P8			
29	36652665050	O-RING	1		P14			
33	19215105160	SEAL,OIL	1					
34	36652665020	RING,RETAINING	1					
50	36652620000	PUMP,HYDRAULIC (EMERGENCY)	1					

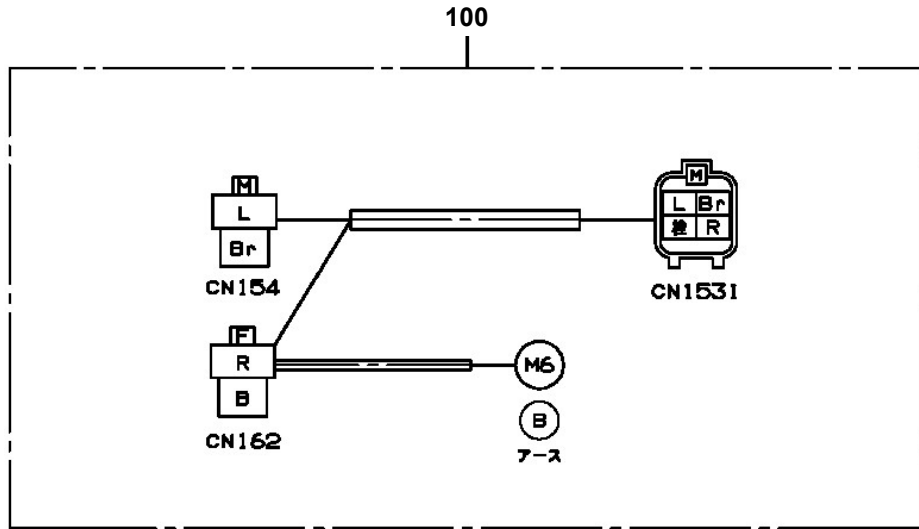
AT-100-2 42063220300 LOWER,MITSUBISHI KK-FE53EB 4UKA1

Pos No.	Parts No	Parts Name	Qty	Unit	Technical Data	Serial No (Start)	Serial No (End)	Remarks
2	90101208016	BOLT	2		M8X16			
3	90302040801	WASHER,SPRING	2		8			
5	90101210020	BOLT	2		M10X20			
6	90302041001	WASHER,SPRING	2		10			
7	80481403020	JOINT	2					
8	91002801400	O-RING	2		1B P14			
9	37002425720	HOSE	1		L=295			
10	37002407280	HOSE	1		L=335			
11	37002449130	HOSE	1		L=500			
12	37002465910	HOSE	2		L=580			
13	82100001411	TUBE,SPIRAL	1	M	SE-08BK			
14	81408000160	PIPE,STEEL	1	M	12X1.4T			
15	81408000160	PIPE,STEEL	1	M	12X1.4T			
16	37000924960	JOINT (WITH O-RING)	2					
17	42310825240	ORIFICE	2		0.8			
31	36646270000	VALVE,SOLENOID	1					
32	80302090141	FITTING	2		KCO12-020N			
33	91002801100	O-RING	15		1B P11			
34	42344511100	FITTING,FLANGE	1					
41	90172110050	BOLT,HEXAGON SOCKET	4		M10X50			
42	36624630000	VALVE,CHECK	1					
43	42344093100	JOINT	1					
44	80312140020	VALVE,BREATHER	2					
45	91002801400	O-RING	2		1B P14			
46	37000921950	JOINT	2					
48	80430620400	JOINT	2					
49	80316070040	PLUG	2		PF1/4			
50	80400160127	JOINT	2					
51	37000925690	JOINT	1					
52	80303130141	FITTING,ELBOW	2		KLO12-020E			

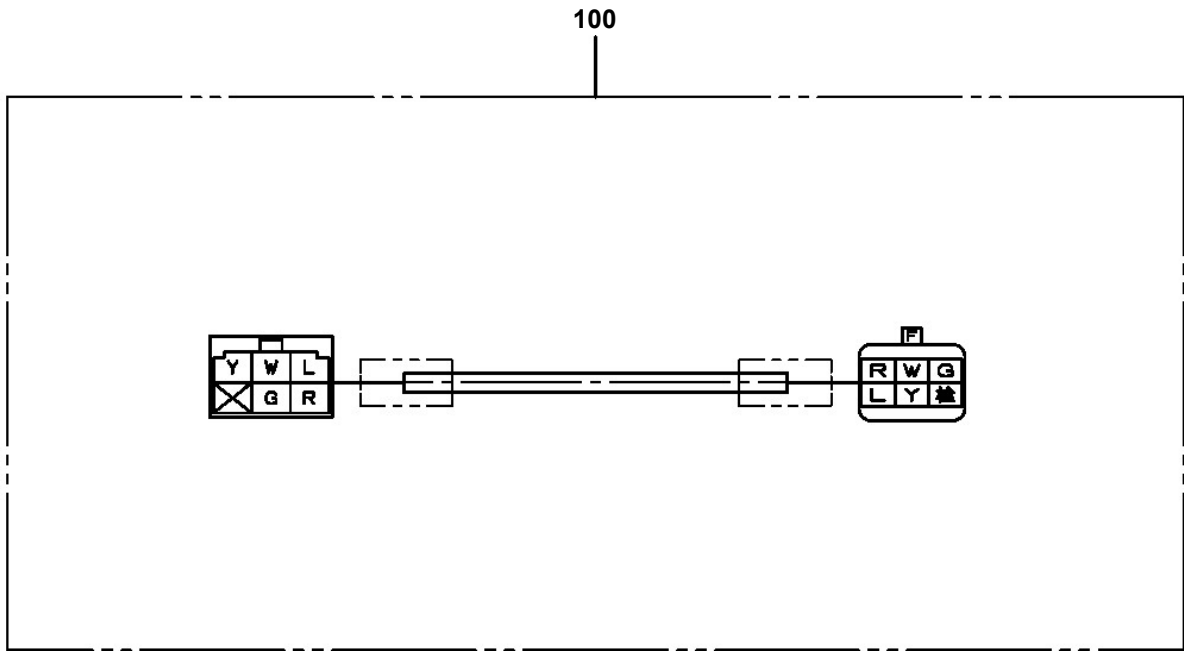
AT-100-2 42063220300 LOWER, MITSUBISHI KK-FE53EB 4UKA1
PH1700272-01 VIEW SYSTEM



AT-100-2 42063220300 LOWER, MITSUBISHI KK-FE53EB 4UKA1
PH5032160-00 HARNESS

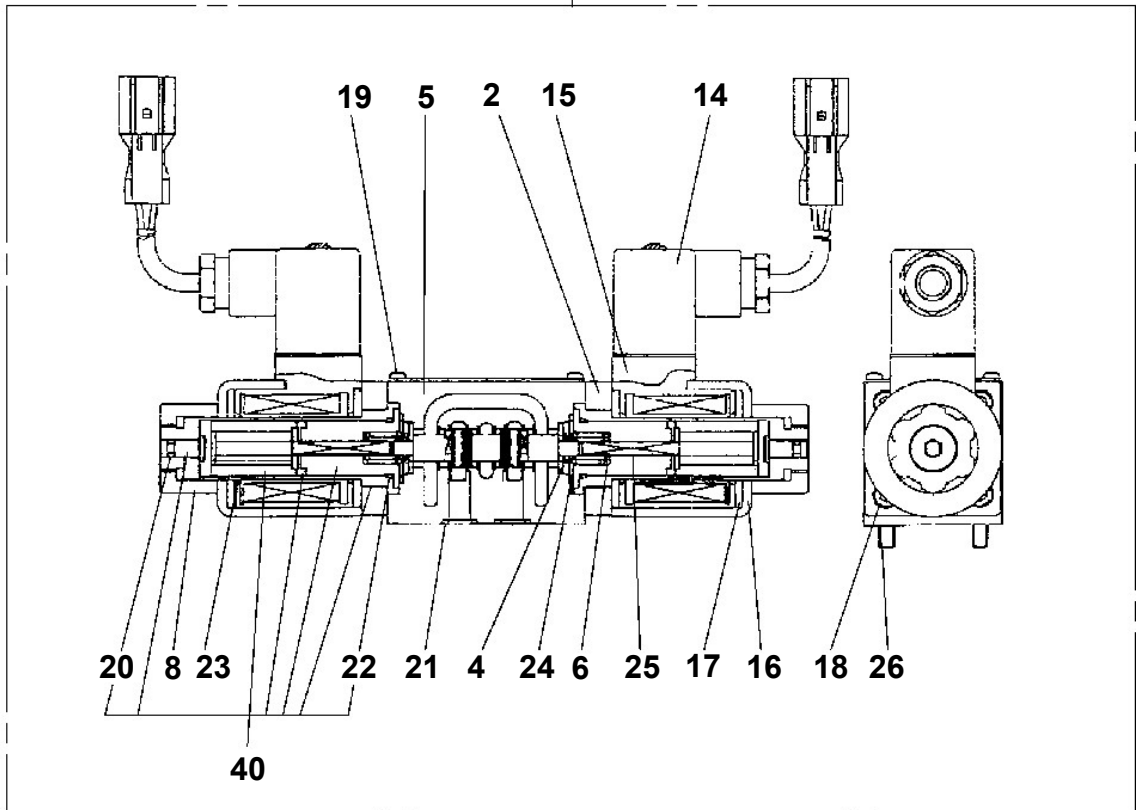


AT-100-2 42063220300 LOWER,MITSUBISHI KK-FE53EB 4UKA1
PH5034137-00 HARNESS

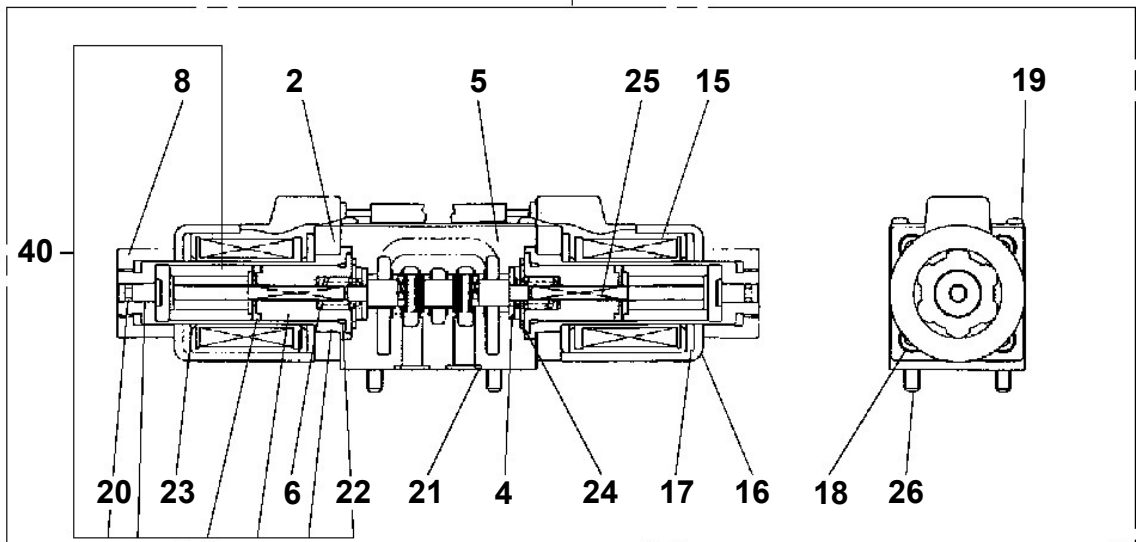


**AT-100-2 42063220300 LOWER, MITSUBISHI KK-FE53EB 4UKA1
PI1120157-01 VALVE, SOLENOID**

200



200



CLICK HERE TO **DOWNLOAD** THE COMPLETE MANUAL

- Thank you very much for reading the preview of the manual.
- You can download the complete manual from: www.heydownloads.com by clicking the link below



- Please note: If there is no response to CLICKING the link, please download this PDF first and then click on it.

CLICK HERE TO **DOWNLOAD** THE COMPLETE MANUAL

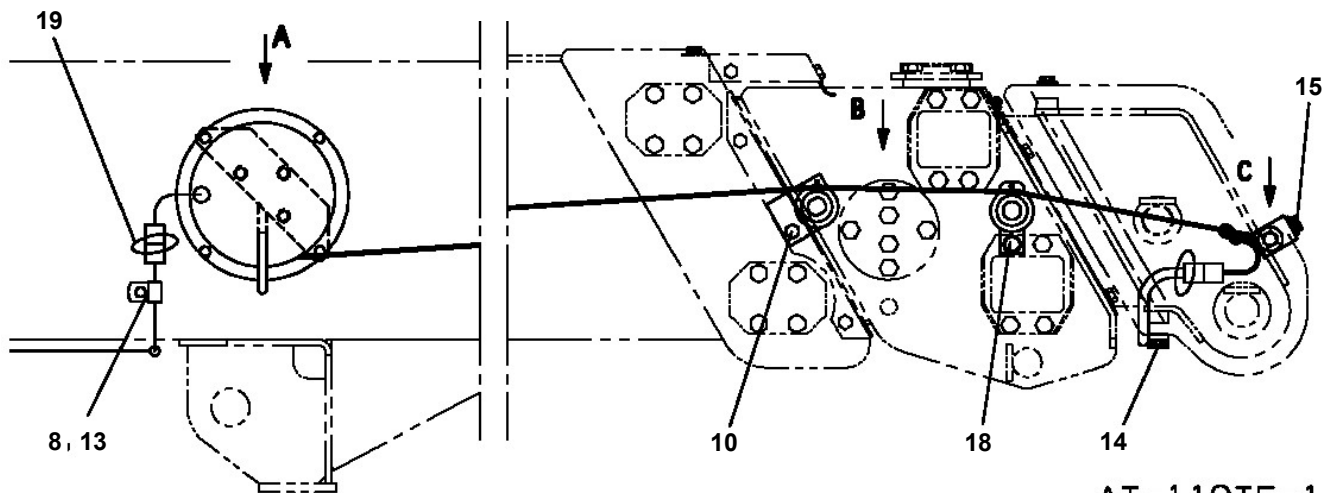
AT-100-2 42063220300 LOWER,MITSUBISHI KK-FE53EB 4UKA1

Pos No.	Parts No	Parts Name	Qty	Unit	Technical Data	Serial No (Start)	Serial No (End)	Remarks
4	36625115010	JOINT	1					
5	91002801800	O-RING	1		1B P18			
50	36625250000	VALVE,CHECK (UZUMAKI)	1					

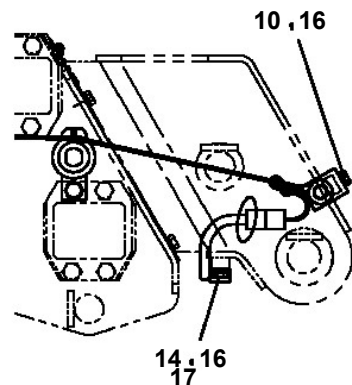
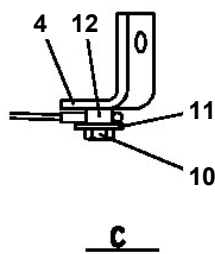
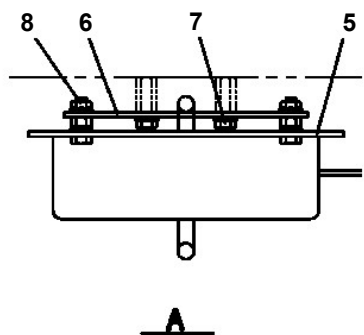
AT-100-2 42063220300 LOWER,MITSUBISHI KK-FE53EB 4UKA1

Pos No.	Parts No	Parts Name	Qty	Unit	Technical Data	Serial No (Start)	Serial No (E
1	(*****)	MOUNT,SUPPORT	1				
2	(*****)	ELEC.ASSY (BUCKET/LEVELNG)	1				
3	(*****)	ELEC.ASSY (SWING FRAME/LEVELING)	1				
4	(*****)	PIPING,UPPER (WITH HYDRAULIC OUTLET)	1				
9	(*****)	ELEC.ASSY (BOOM/LEVELING)	1				

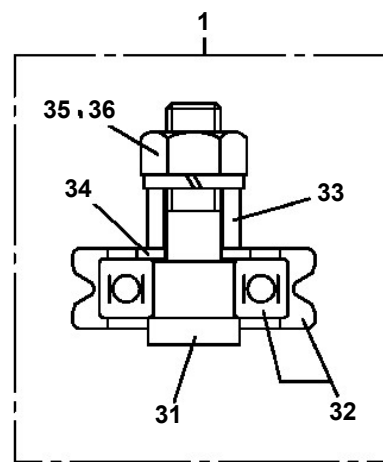
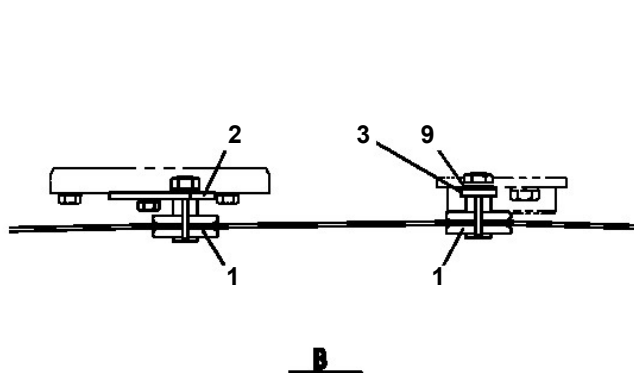
**AT-100-2 42063220300 LOWER, MITSUBISHI KK-FE53EB 4UKA1
PN1012907-01 ELEC. ASSY (BOOM/LEVELING)**



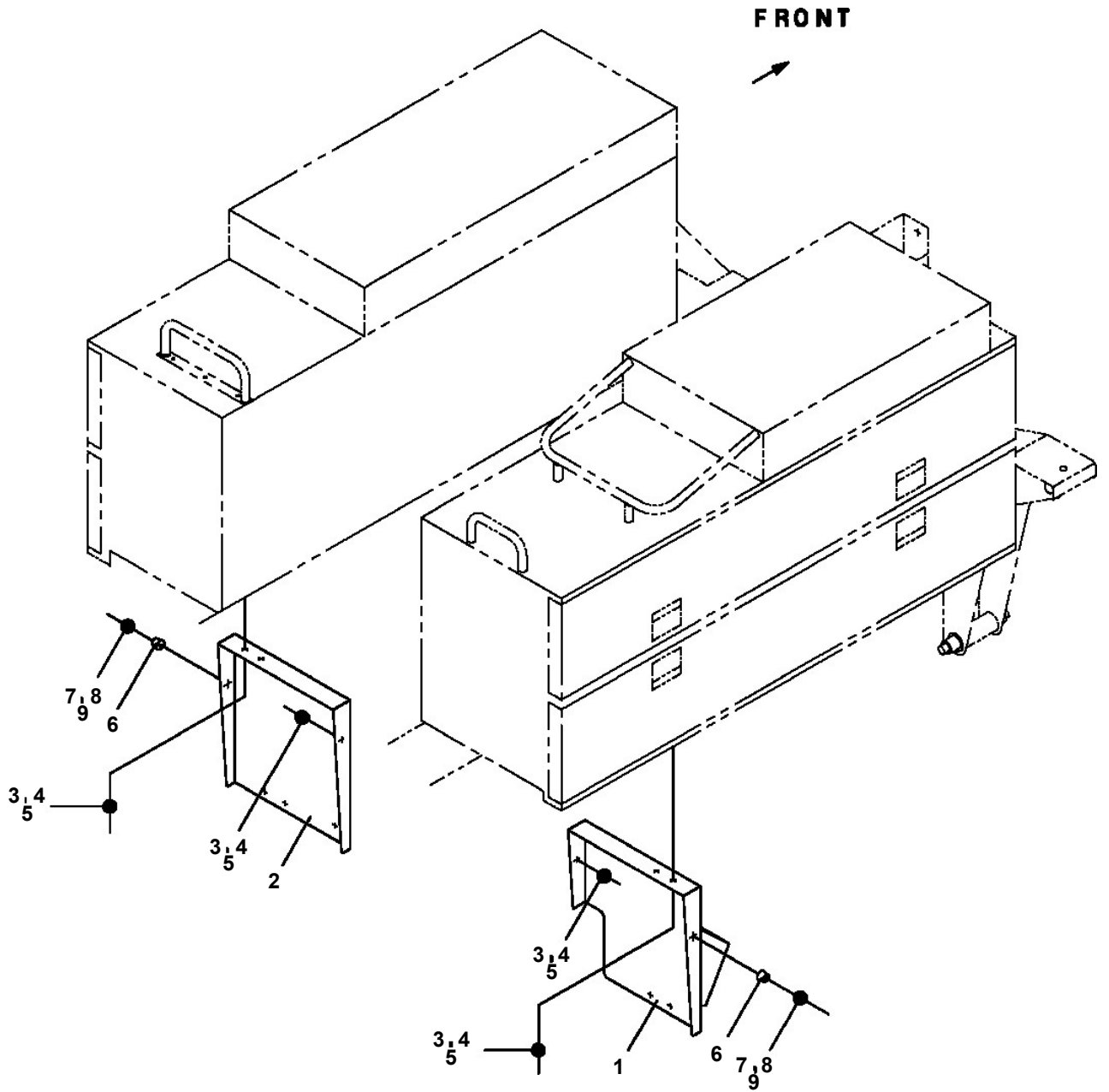
AT-110TE-1
AT-100TE-2



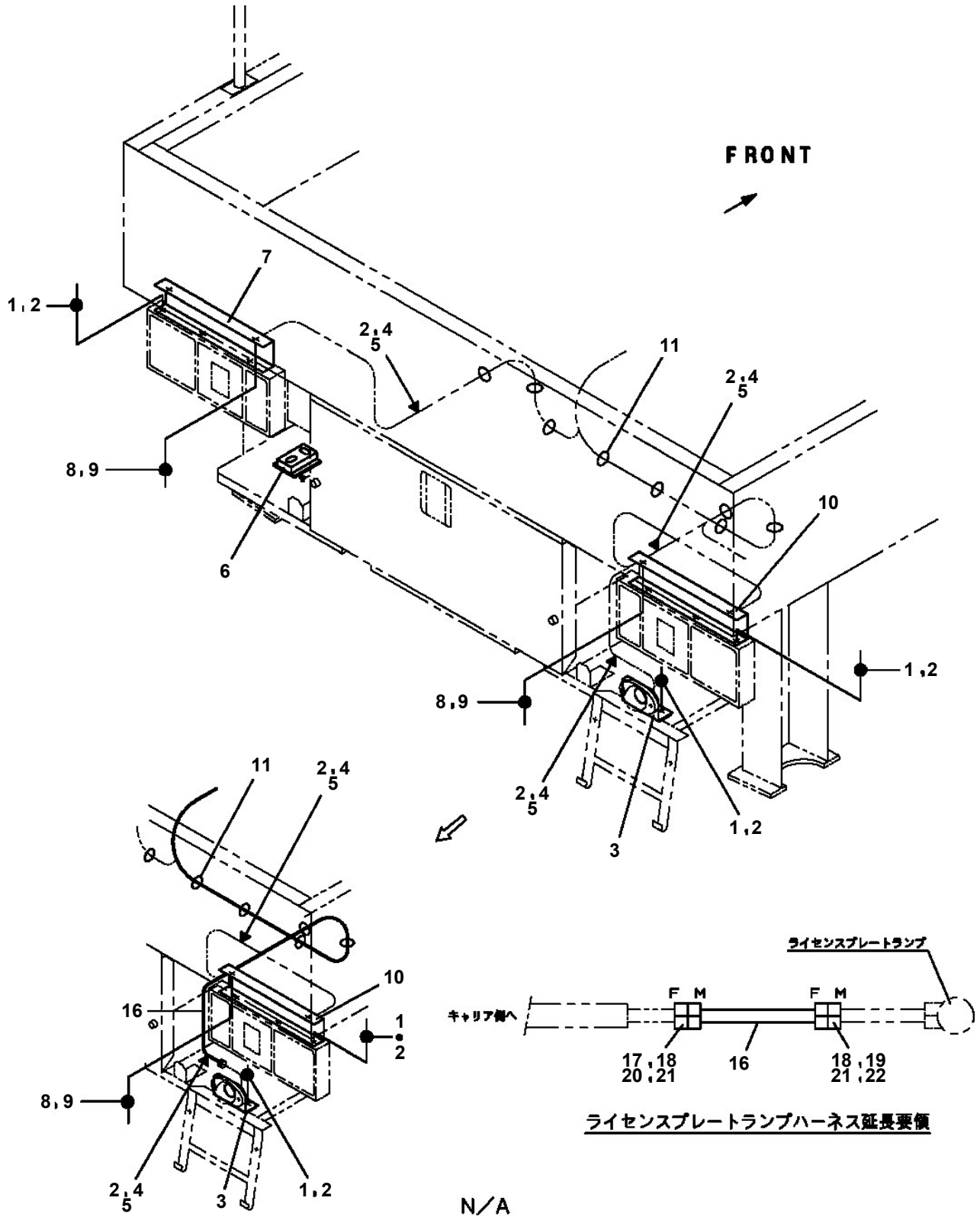
AT-100TG-2



**AT-100-2 42063220300 LOWER, MITSUBISHI KK-FE53EB 4UKA1
PX1210020-00 GUARD**



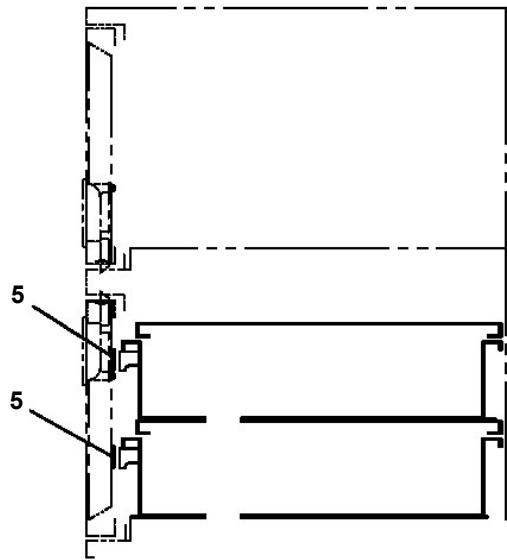
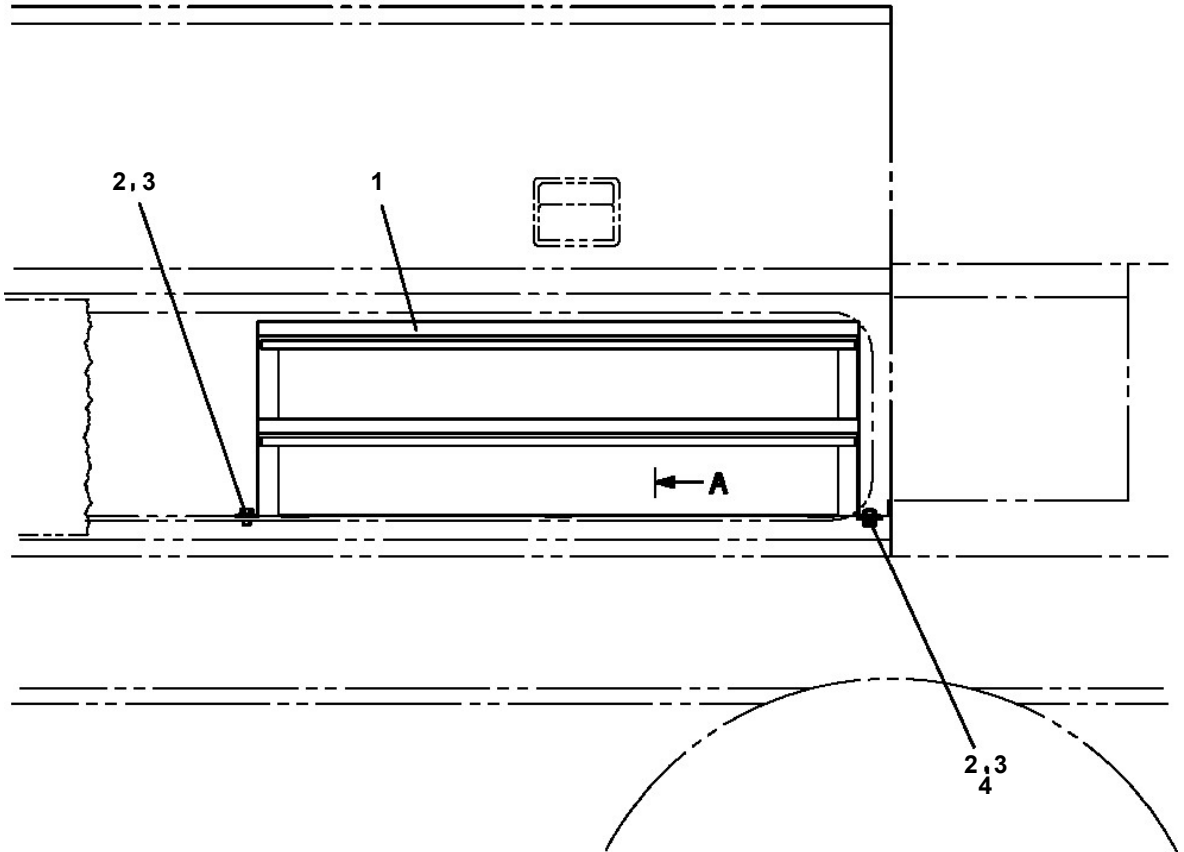
**AT-100-2 42063220300 LOWER, MITSUBISHI KK-FE53EB 4UKA1
PX1310098-02 MOUNT, LAMP (TAIL)**



IF THE CABLE LENGTH IS NOT ENOUGH, USE 12, 13, 14, 15

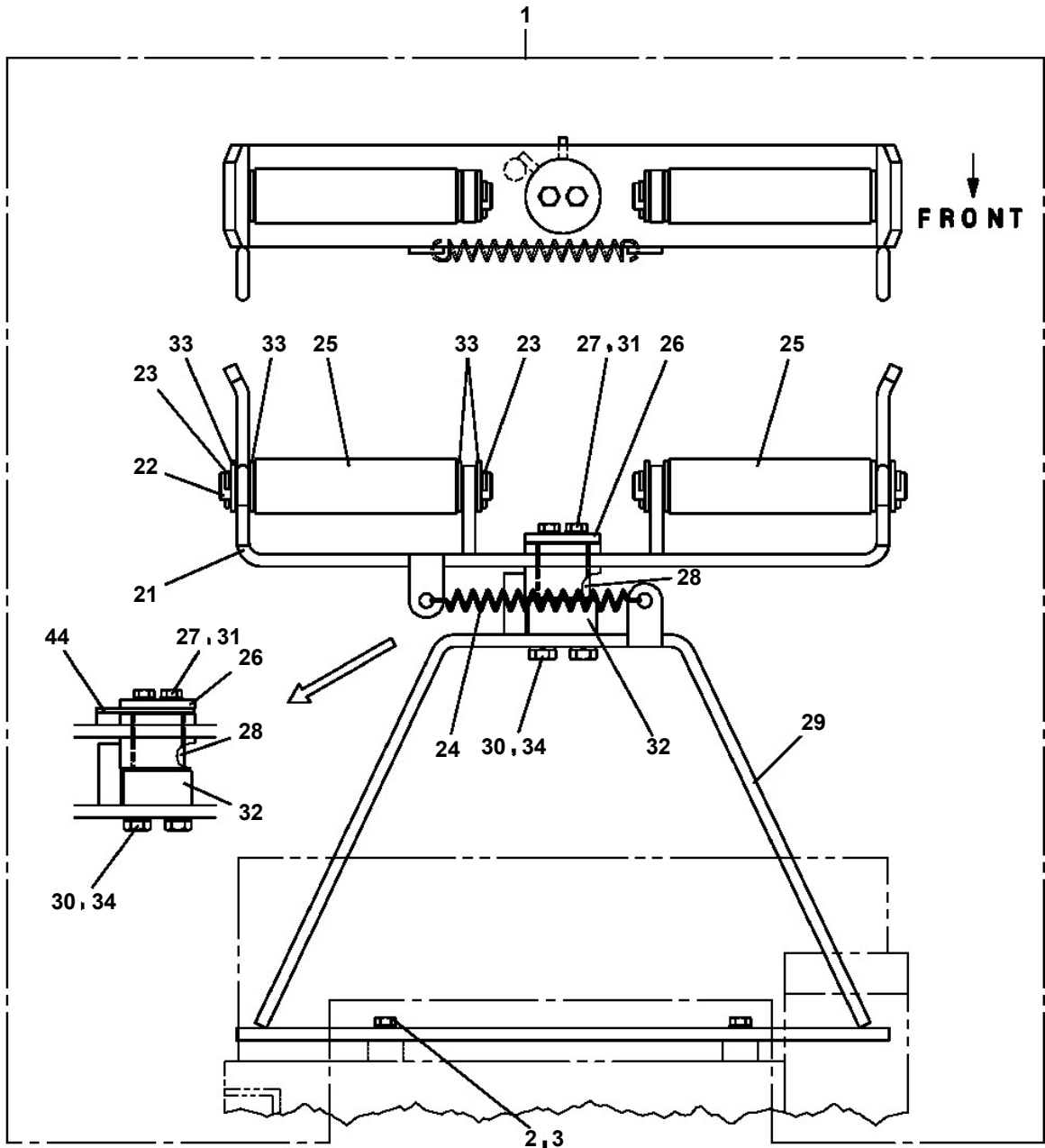
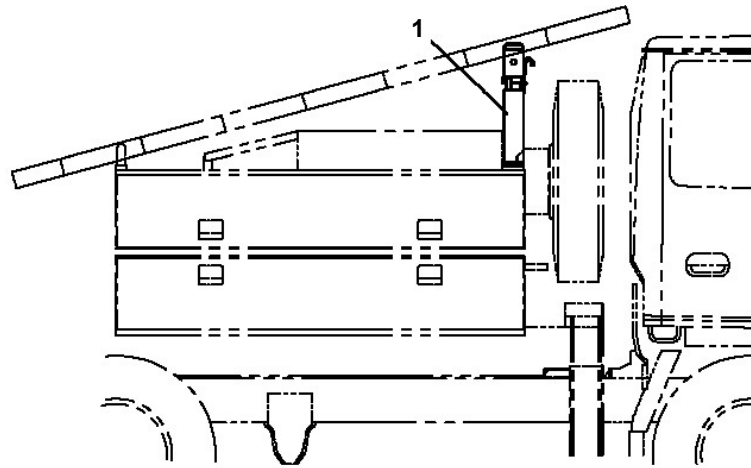
AT-100-2 42063220300 LOWER, MITSUBISHI KK-FE53EB 4UKA1
PX1350450-00 BOX, TOOL (OPTION)

FRONT ←



A

AT-100-2 42063220300 LOWER, MITSUBISHI KK-FE53EB 4UKA1
PX1810088-02 MOUNT, SUPPORT



CLICK HERE TO **DOWNLOAD** THE COMPLETE MANUAL

- Thank you very much for reading the preview of the manual.
- You can download the complete manual from: www.heydownloads.com by clicking the link below



- Please note: If there is no response to CLICKING the link, please download this PDF first and then click on it.

CLICK HERE TO **DOWNLOAD** THE COMPLETE MANUAL