

## **AT-100-2 42063200082 UPPER**

PD2000126-00 SWING UNIT

PG2000147-00 BOOM UNIT

PH1000355-00 SAFETY DEVICES

PJ3000392-00 BUCKET SYSTEM

PK2000612-00 FRAME UNIT

PO1000149-00 INDICATION PLATES

PW1000041-00 ACCESSORIES & TOOLS

PY1000942-01 OPTIONS,1

PY2000129-00 OPTIONS,2

ASSEMBLY

CLICK HERE TO **DOWNLOAD** THE COMPLETE MANUAL

- Thank you very much for reading the preview of the manual.
- You can download the complete manual from: [www.heydownloads.com](http://www.heydownloads.com) by clicking the link below



- Please note: If there is no response to CLICKING the link, please download this PDF first and then click on it.

CLICK HERE TO **DOWNLOAD** THE COMPLETE MANUAL

# AT-100-2 42063200082 UPPER

Pos No.	Parts No	Parts Name	Qty	Unit	Technical Data	Serial No (Start)	Serial No (End)	Remarks
1	(***** *****)	FRAME	1				217686	
	(***** *****)	FRAME	1			217687		
2	(***** *****)	OUTRIGGER	1					
3	(***** *****)	OPE.ASSY,CONT.VALVE	1					
4	(***** *****)	PIPING,OUTRIGGER	1					
5	(***** *****)	ELEC.ASSY (FRAME)	1					
6	(***** *****)	BOOM REST INSTALLATION	1					
7	(***** *****)	TANK SUPPORT	1					

## **AT-100-2 42063200082 UPPER**

PJ3010201-03 BUCKET (FRAME)  
PJ3010262-00 BUCKET (WHITE/WITH BOSS & STEP)  
PJ3040039-00 OPE.ASSY,BUCKET (1-LEVER 3CONT.)  
PK1010594-01 FRAME  
PK1010981-00 FRAME  
PK1100354-01 SWING FRAME  
PK1200374-01 COVER,SWING FRAME  
PK1330098-00 COVER (BOOM)  
PK1330099-02 COVER (BUCKET)  
PK1330183-00 COVER (BOOM)  
PK1330230-00 COVER  
PK1330231-00 COVER  
PK1330276-00 COVER (BUCKET/CLOTH:WHITE)  
PL1010971-00 OPE.ASSY,CONT.VALVE  
PL1020056-02 LEVER,CONTROL  
PM5230001-01 MOTOR,OIL  
PN1012901-02 ELEC.ASSY (BOOM)  
PN1013138-02 ELEC.ASSY (BUCKET)  
PN1013139-01 ELEC.ASSY (BUCKET/SWITCH HARNESS)  
PN1013140-01 ELEC.ASSY (SWING FRAME)  
PN1013141-03 ELEC.ASSY (FRAME)  
PN1013142-02 ELEC.ASSY (PANEL)  
PN1013487-00 ELEC.ASSY (BOOM)  
PN1013636-02 ELEC.ASSY (BUCKET)  
PN1013712-01 ELEC.ASSY (POWER SUPPLY/LOWER,INVERTER)  
PN1013713-01 ELEC.ASSY (POWER SUPPLY/LOWER)  
PN1060141-02 SWITCH PANEL  
PN1080219-02 LAMP (BUCKET)  
PN1080221-01 LAMP (BUCKET)  
PN1110422-00 RELAY ASSY  
PN1110423-00 RELAY ASSY  
PN1140164-00 SWITCH ASSY (WITH HARNESS,3 SW)  
PN1140168-00 SWITCH ASSY (WITH HARNESS,5 SW)  
PN1210121-00 TRANSMITTER,SIGNAL  
PN1210122-00 TRANSMITTER,SIGNAL  
PN1210151-01 TRANSMITTER,SIGNAL  
PN1210151-01 TRANSMITTER,SIGNAL  
PN5010206-00 NAME PLATE ASSY  
PO1013121-01 PLATE ASSY,NAME (HYDRAULIC OIL)  
PO1013746-04 PLATE ASSY,NAME (VEHICLE)  
PO1013747-01 PLATE ASSY,NAME (LOWER CONTROLS)  
PO1013748-00 PLATE ASSY,NAME  
PO1014351-00 PLATE ASSY,NAME (BUCKET,1-LEVER 3CONT.)  
PO1050062-00 MARKING  
PP5450004-00 PUMP,GREASE (400CC)  
PV1020305-02 VALVE,REMOTE CONTROL  
PW1010309-00 ACCESSORIES (MAT)  
PW1010337-01 ACCESSORIES  
PW1030049-01 TOOLS  
PW1050018-01 WEDGE (STOPPER FOR TIRE/JUSTIN)  
PW5110002-00 WEDGE (STOPPER FOR TIRE/WAZUMI)  
PW5110003-00 WEDGE (STOPPER FOR TIRE/NAKAMURA KIKI)  
PX1100239-01 TANK SUPPORT  
PX1120375-01 BOOM REST INSTALLATION  
PY1070000-00 ROPE (SAFETY,YELLOW:TD-TYPE)  
PY1180281-01 LAMP (WORKING)  
PY1180282-03 LAMP (LOWER CONTROL PANEL)  
PY1460014-01 ELECTRICAL PARTS,POWER SUPPLY(100V)  
PY1930004-00 BLOCK,RUBBER (WAZUMI)  
PY1930005-00 BLOCK,RUBBER (NAKAMURA)

## AT-100-2 42063200082 UPPER

Pos No.	Parts No	Parts Name	Qty	Unit	Technical Data	Serial No (Start)	Serial No (End)	Remarks
2	90101208025	BOLT	3		M8X25			
3	90302040801	WASHER,SPRING	3		8			
4	42441873001	BRUSH,ROTARY JOINT	1					
5	37002461460	HOSE	1		L=850			
6	37002447140	HOSE	2		L=1250			
7	37002444650	HOSE	2		L=950			
8	91002801100	O-RING	1		1B P11			
9	91002801400	O-RING	6		1B P14			
10	42433330020	PLUG (2 POLES,FEMALE)	1					
11	37002449150	HOSE	2		L=1400			
31	42441872100	BODY	1					
32	42441952200	CORE	1					
33	42441672100	PLATE	1					
34	42630461400	FLANGE	1					
35	90172108016	BOLT,HEXAGON SOCKET	6		M8X16			
36	91531208000	PACKING	2					
37	91100308000	RING,SEAL	7					
38	80720105020	PIN,SPRING	1		5X20			
39	80316090040	PLUG SOCKET	2		R1/4			
50	42442321001	JOINT,ROTARY	1					

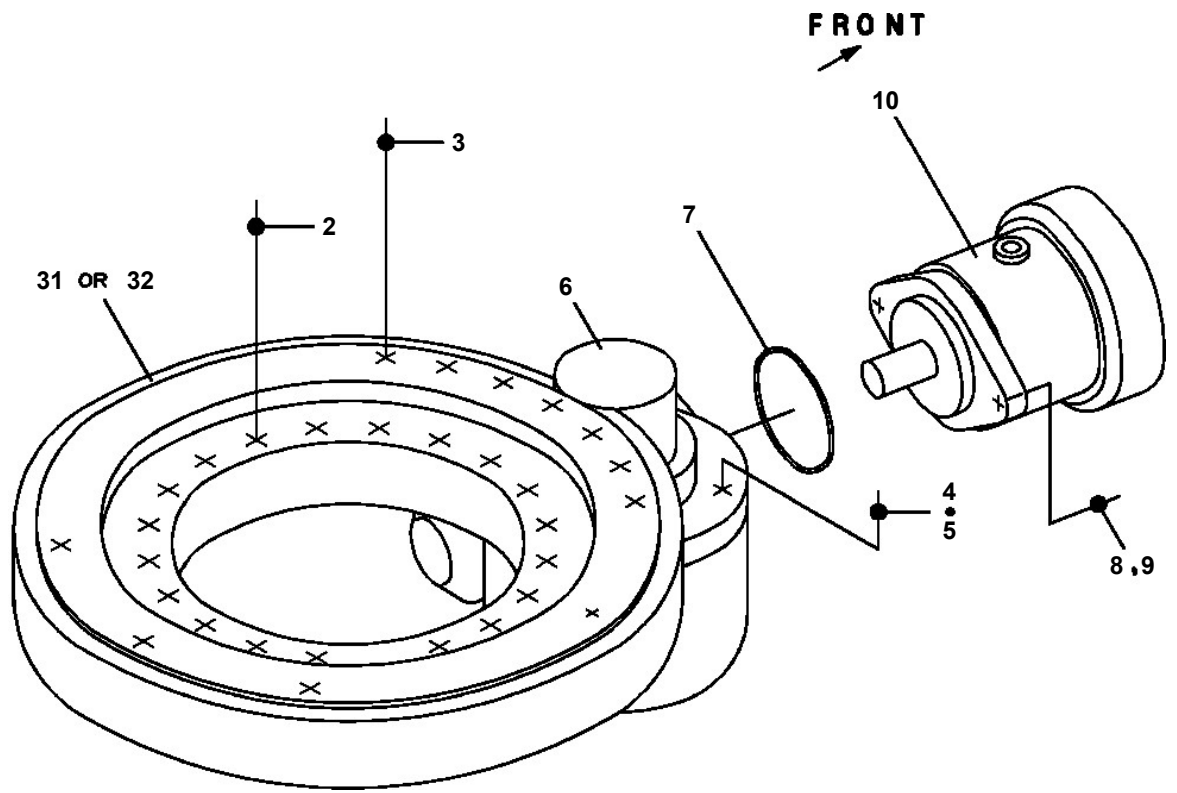
# AT-100-2 42063200082 UPPER

Pos No.	Parts No	Parts Name	Qty	Unit	Technical Data	Serial No (Start)	Serial No (End)
1	(*****)	ELECTRICAL PARTS,POWER SUPPLY(100V)	1				
2	(*****)	ELEC.ASSY (POWER SUPPLY/LOWER)	1				
3	(*****)	ELEC.ASSY (POWER SUPPLY/LOWER,INVERTER)	1				

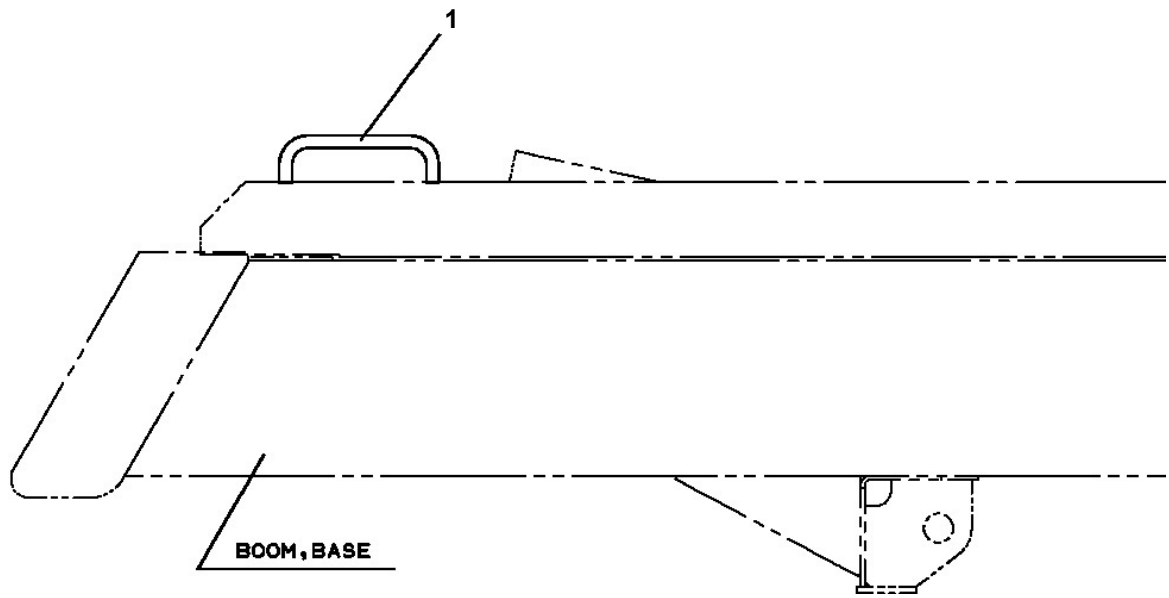
# AT-100-2 42063200082 UPPER

Pos No.	Parts No	Parts Name	Qty	Unit	Technical Data	Serial No (Start)	Serial No (End)	Remarks
1	80728105040	PIN,SPRING	1					
2	91302207500	BEARING,PLAIN	2					
3	91684007501	PACKING	2					
4	91431206201	RING,BACKUP	2					
5	91002903500	O-RING	1		1B G35			
6	36034720100	PISTON	1					
7	36034720200	ROD	1					
8	36034720300	CYLINDER	1					
9	91002907000	O-RING	1		1B G70			
10	91694006000	PACKING	1					
11	91410206002	RING,BACKUP	1					
13	91660006001	SEAL,DUST	1					
14	91002907500	O-RING	1		1B G75			
15	80801006040	BEARING,PLAIN	1					
16	80612110680	RING,RITAINING	1		AR68			
40	36034729510	COVER,ROD	1					
50	36034729900	PACKING SET	1					
100	36034720000	CYLINDER,JACK (FRONT)	1					

**AT-100-2 42063200082 UPPER  
PD1010153-00 REDUCER, SWING SPEED (MOUNT)**



**AT-100-2 42063200082 UPPER  
PF1080059-00 SUPPORT (COVER,BOOM)**



# AT-100-2 4206320082 UPPER

Pos No.	Parts No	Parts Name	Qty	Unit	Technical Data	Serial No (Start)	Serial No (End)	Remarks	P
1	42202199510	BOOM,BASE	1						
2	42202192000	BOOM,2ND	1						
3	42202193000	BOOM,TOP	1						
5	82455106000	NIPPLE,GREASE	4		A-M6F FE				
7	37000112420	PIN	2						
8	80602110300	RING,RITAINING	5		R30				
9	80184306012	SCREW,MACHINE	10		M6X12				
10	37002006560	PLATE,SLIDE	4						
11	37000510800	PLATE	N		T=0.8				
12	37000180210	PIN	1						
13	37002014690	PLATE,SLIDE	2			217691			
14	37002005260	PLATE,SLIDE	6						
15	42200484100	PLATE	N		T=0.8				
16	37002013900	PLATE,SLIDE	2						
17	37000573370	PLATE	12		T=1.0				
18	90174110020	BOLT	4		M10X20				
19	42202080500	SUPPORT	1			217691			
20	42200013160	PLATE	N		T=0.8				
21	90171110020	BOLT	16		M10X20	217691			
22	37000181820	PIN	1						
23	80601110300	RING,RITAINING	2		S30				
24	42202080300	RETAINER	2			217691			
25	90171110022	BOLT	4		M10X22	217691			
26	90302041001	WASHER,SPRING	60		10				
27	42201560500	ROLLER ASSY	2						
28	42202080550	SUPPORT	1			217691			
29	42200810010	PLATE	N		T=0.8				
30	42201560200	ROLLER ASSY	4						
31	37000573880	PLATE	N		T=0.3				
33	37000136510	PIN	4						
34	90171108016	BOLT	4		M8X16				
36	37000573360	PLATE	N		T=1.0				
37	90101208020	BOLT	8		M8X20				
38	90303070801	WASHER,PLAIN	9		8				
39	42201560020	COVER	2						
40	37000173560	PIN	1						
41	37000558530	PLATE	2		T=9				
42	37001920030	ROPE,WIRE (TESAC)	2		7X3.19M				
	37001920040	ROPE,WIRE (KOKOKU)	2						
43	82456101000	NIPPLE,GREASE	1		A-PT1/8				
44	37000148780	PIN	1						
45	90101206008	BOLT	8		M6X8				
46	90302040601	WASHER,SPRING	8		6				
47	37001919990	ROPE,WIRE (KOKOKU)	2						
	37001919980	ROPE,WIRE (TESAC)	2		8X6.05M				
48	42200810020	PIN	1						
49	37000401810	BEARING,PLAIN	2						
50	80136360050	PIN,SPLIT	1		6X50				
51	90238403008	NUT,CASTLE	1		M30X2				
52	90303073001	WASHER,PLAIN	1		30				
53	37000136530	PIN	2						
54	80601110200	RING,RITAINING	8		S20				
55	37000136540	PIN	2						
56	37002014100	PLATE,SLIDE	4						
57	42200383270	ROLLER	2						
58	42200383280	PLATE	2						
59	90171110018	BOLT	4		M10X18				
60	37000113060	PIN	1						
61	90303071001	WASHER,PLAIN	8		10	217691			
62	90302040801	WASHER,SPRING	12		8				
63	90202481200	NUT	8		M12				
64	90180210016	BOLT,BUTTON	16		M10X16				
65	90171110025	BOLT	8		M10X25	217691			

# AT-100-2 42063200082 UPPER

Pos No.	Parts No	Parts Name	Qty	Unit	Technical Data	Serial No (Start)	Serial No (End)	Remarks
1	81408000130	PIPE,STEEL	1	M	10X1.8T			
2	81408000130	PIPE,STEEL	1	M	10X1.8T			
3	81408000130	PIPE,STEEL	1	M	10X1.8T			
4	81408000130	PIPE,STEEL	1	M	10X1.8T			
5	37000711080	CLAMP ASSY	2		12-2			
6	80320010075	FITTING	1		KUD12-020N			
8	37000300740	SLEEVE	2		18-12			
9	37000300730	SLEEVE	2		18-10			
10	37000711490	CLAMP ASSY	1		18X6			
11	81408000160	PIPE,STEEL	1	M	12X1.4T			
12	81408000160	PIPE,STEEL	1	M	12X1.4T			
13	90101208035	BOLT	2		M8X35			
14	90101208060	BOLT	2		M8X60			
15	42200810200	SHEAVE ASSY (MARUCH)	1					
16	80430620400	JOINT	1					
17	80400160127	JOINT	4					
18	91002801100	O-RING	11		1B P11			
19	37000917480	JOINT	2		S G1/4-G3/8			
20	37002476730	HOSE	1		L=350			
21	37002476740	HOSE	1		L=400			
22	80316070040	PLUG	4		PF1/4			
23	37002475260	HOSE	2		L=6800			
24	37002476800	HOSE	2		L=6340			
25	42345590500	SUPPORT	1					
27	90302040801	WASHER,SPRING	14		8			
28	42345590600	SUPPORT	1					
29	90180208012	BOLT,BUTTON	2		M8X12			
30	42342732000	ROLLER ASSY	1					
31	90101208020	BOLT	8		M8X20			
32	42345592000	SHEAVE ASSY (MARUCH)	1					
33	90203201200	NUT	4		M12			
34	90303071201	WASHER,PLAIN	4		12			
35	37000312510	SPACER	2		L=27.5			
36	90102212120	BOLT	2		M12X120			
37	90201201200	NUT	2		M12			
38	90302041201	WASHER,SPRING	2		12			
39	80320020090	FITTING	2		KUF15-030N			
40	80320020050	FITTING	2		KUF10-020N			
41	37000176660	PIN	2					
42	37002412190	HOSE	1		L=400			
43	37002448880	HOSE	1		L=530			
44	37000713180	CLAMP ASSY	1		15X2			
45	90303071601	WASHER,PLAIN	4		16			
46	42345590701	JOINT	1					
47	80320010050	FITTING	2		KUD10-020N			
48	80481102030	JOINT	1		L G1/4-G3/8			
49	80320010080	FITTING	1		KUD12-030N			
50	37000300720	SLEEVE	3		12-10			
51	80309010105	SLEEVE	2		KK012-000E			
52	80306010105	NUT	2		KKN12-000E			
71	42345591100	JOINT	1					
72	80400160127	JOINT	1					
73	80430620400	JOINT	1					
74	80302090101	FITTING	3		KCO10-020N			
75	80303130101	FITTING,ELBOW	1		KLO10-020E			
76	91002801100	O-RING	7		1B P11			
77	59457138000	PLUG ASSY	2					
102	80136320016	PIN,SPLIT	2		2X16			
103	42340234230	ROLLER	2		W=12			
104	42340234240	ROLLER	4		W=9			
105	90303100801	WASHER,PLAIN	12		8			
106	37000145670	PIN	1					
121	42345592150	SHEAVE	1					

**AT-100-2 42063200082 UPPER**

Pos No.	Parts No	Parts Name	Qty	Unit	Technical Data	Serial No (Start)	Serial No (End)	Rema
2	36190191060	BOARD,CIRCUIT	1					
3	36190191070	BOARD,CIRCUIT	1					
4	36190185150	SEAT	1					
5	36190185050	BOX	1					
6	36190185060	PANEL ASSY	1					
7	36190185070	FITTING (SET)	1					
8	36190185080	COVER (SET)	1					
9	36190195020	STAY SET	1					
10	36190185100	FRAME ASSY	1					
11	36190185111	HARNESS ASSY	1					
12	36190185121	HARNESS ASSY	1					
14	36190185160	HARNESS	1					
31	36191125012	BOARD,CIRCUIT (WITH DATA)	1				217800	
100	36191120001	MOTION CONTROLLER (AMC)	1					

# AT-100-2 42063200082 UPPER

Pos No.	Parts No	Parts Name	Qty	Unit	Technical Data	Serial No (Start)	Serial No (End)	Remarks	Pages
2	82100001839	FUSE	10		10A.RED				
3	82100001841	FUSE	4		20A,YELLOW				
10	34351562510	BOX,FUSE	1						
100	42652670300	HARNESS	1						

# AT-100-2 42063200082 UPPER

Pos No.	Parts No	Parts Name	Qty	Unit	Technical Data	Serial No (Start)	Serial No (End)	Remarks	Pages
9	82105220153	SWITCH,TOGGLE	1						
100	42353110700	HARNESS	1						

# AT-100-2 42063200082 UPPER

Pos No.	Parts No	Parts Name	Qty	Unit	Technical Data	Serial No (Start)	Serial No (End)	Remarks	Pages
100	42354420100	HARNESS	1						

CLICK HERE TO **DOWNLOAD** THE COMPLETE MANUAL

- Thank you very much for reading the preview of the manual.
- You can download the complete manual from: [www.heydownloads.com](http://www.heydownloads.com) by clicking the link below



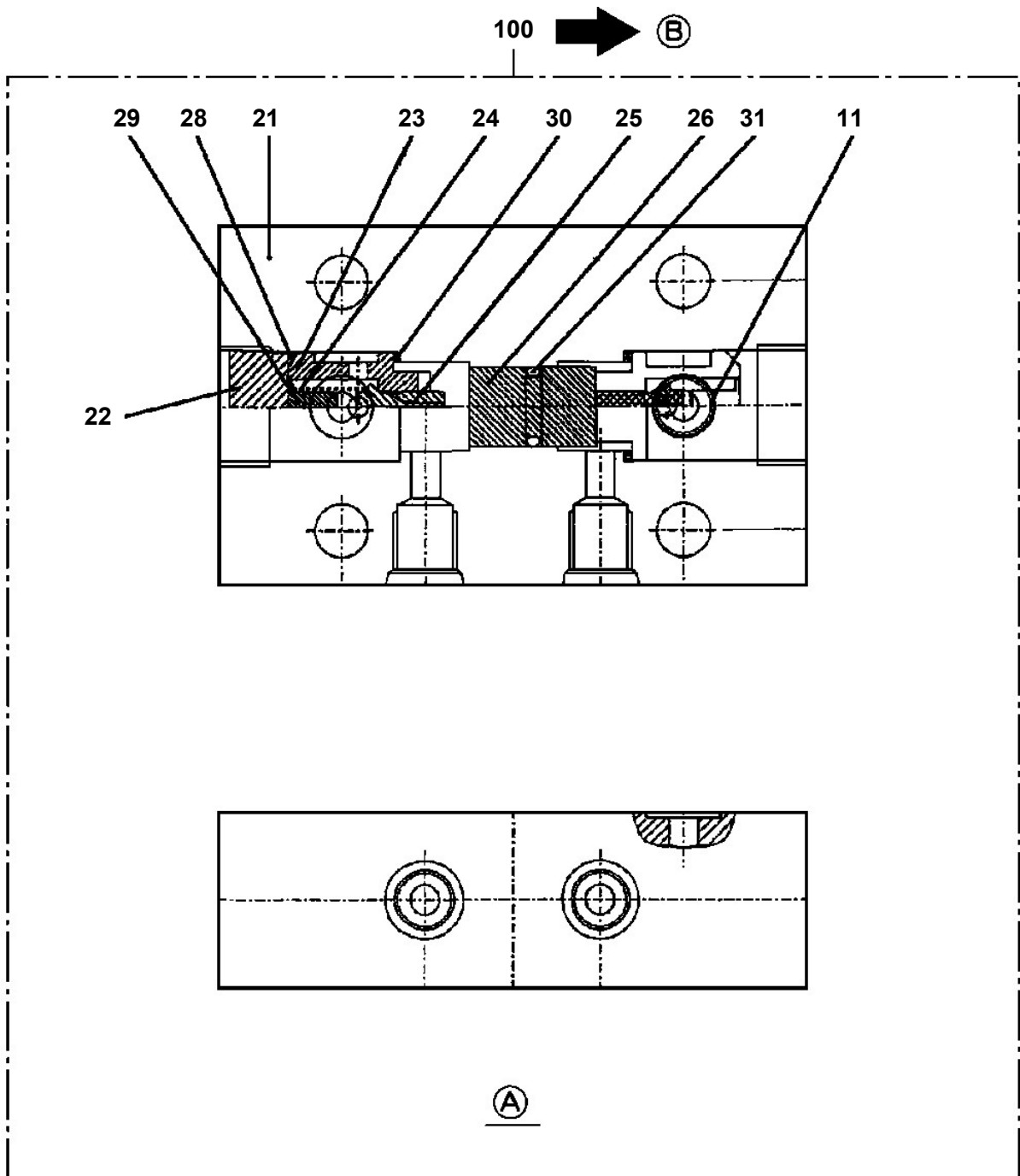
- Please note: If there is no response to CLICKING the link, please download this PDF first and then click on it.

CLICK HERE TO **DOWNLOAD** THE COMPLETE MANUAL

# AT-100-2 42063200082 UPPER

Pos No.	Parts No	Parts Name	Qty	Unit	Technical Data	Serial No (Start)	Serial No (End)	Rema
4	91001206500	O-RING	1		1A G65			
5	36660025021	COVER (OIL SEAL)	1					
6	36660025140	SEAL,OIL	1					
7	80602110720	RING,RITAINING	1		R72			
14	36661925010	O-RING	1					
19	14125151020	KEY	1					
50	36662590000	MOTOR,HYDRAULIC (SWING)	1					

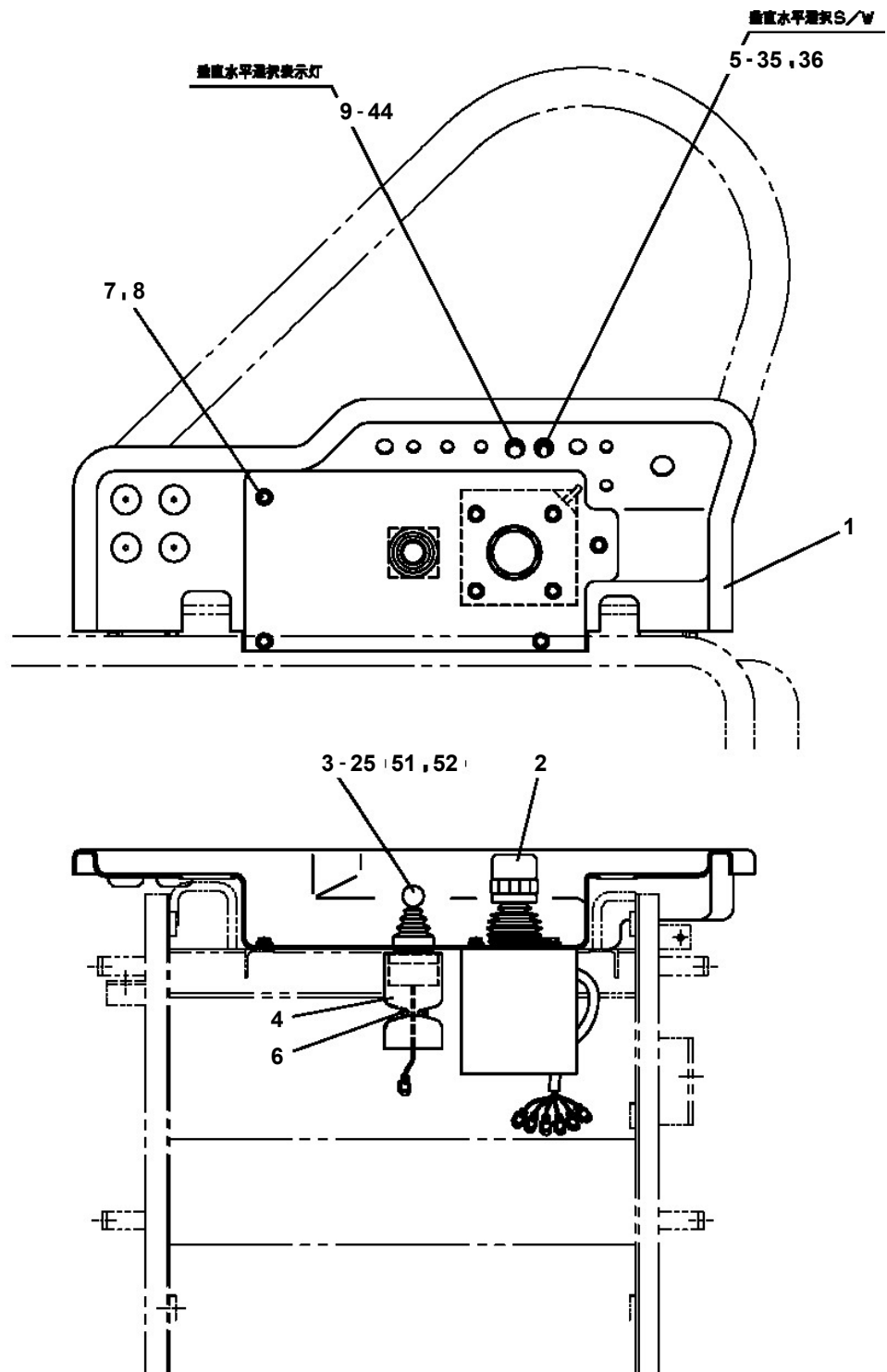
AT-100-2 42063200082 UPPER  
PI1140133-01 VALVE,CHECK



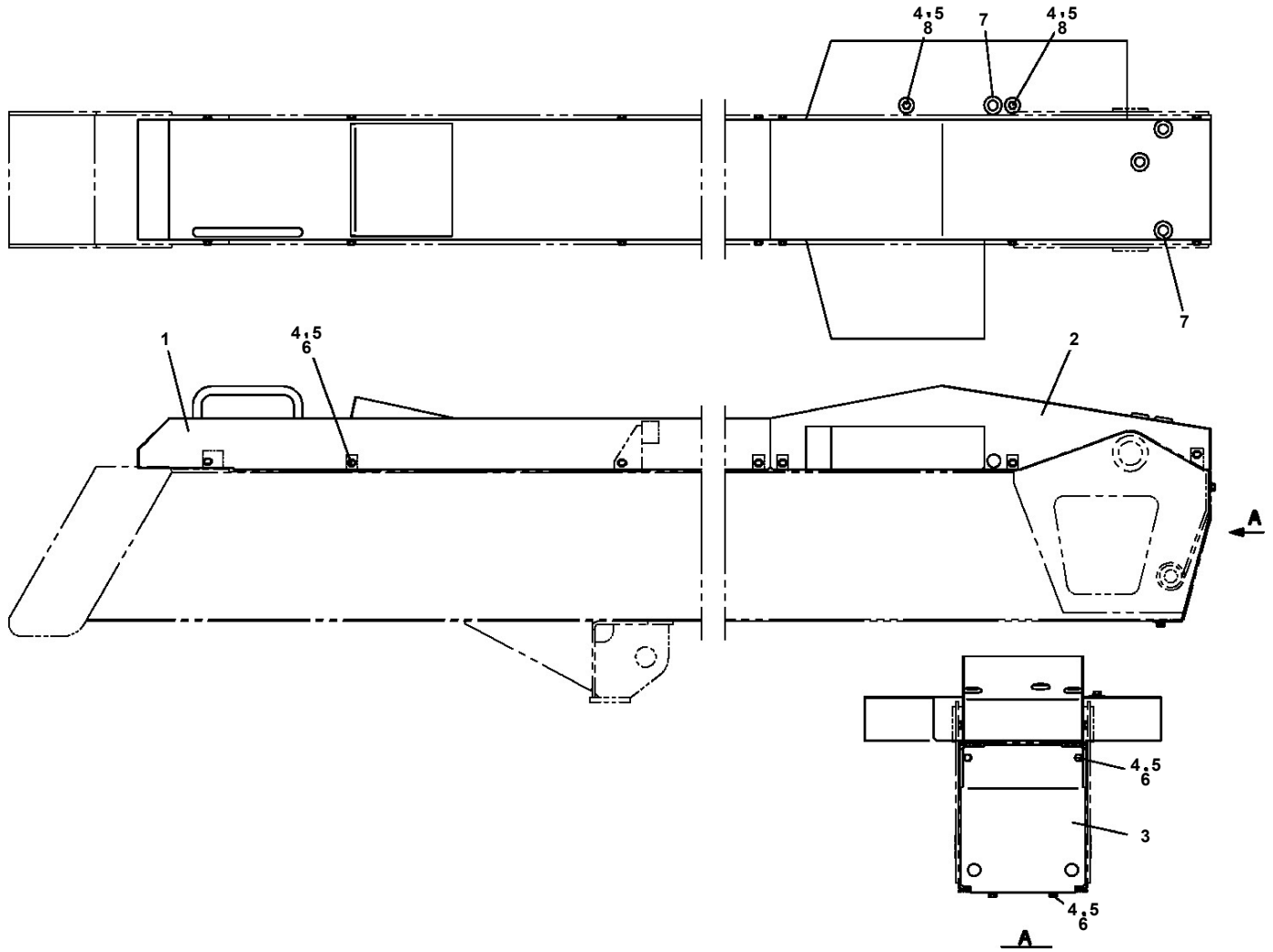
# AT-100-2 42063200082 UPPER

Pos No.	Parts No	Parts Name	Qty	Unit	Technical Data	Serial No (Start)	Serial No (End)	Remark
3	91002801400	O-RING	3		1B P14			
7	36601665020	SPRING	1					
10	91001001000	O-RING	1		1A S10			
11	36601665030	SPRING	1					
13	91002803400	O-RING	1		1B P34			
14	36601665050	O-RING	1		P25			
15	91410002500	RING,BACKUP	1		P25			
18	91002802600	O-RING	1		1B P26			
19	91001301600	O-RING	1		WP16			
20	91002801000	O-RING	1		1B P10			
21	91410001000	RING,BACKUP	1		P10			
50	36601660001	VALVE,COUNTERBALANCE	1					

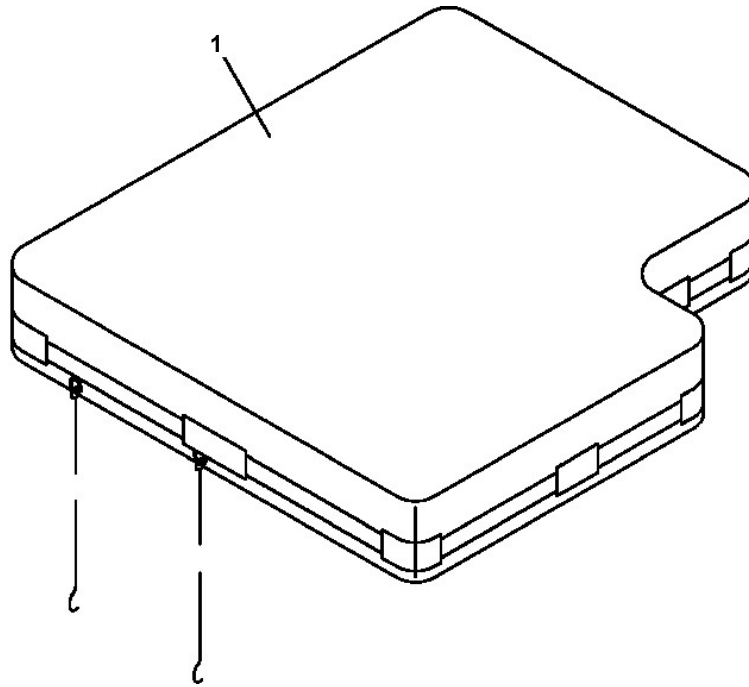
AT-100-2 42063200082 UPPER  
PJ3040039-00 OPE.ASSY,BUCKET (1-LEVER 3CONT.)



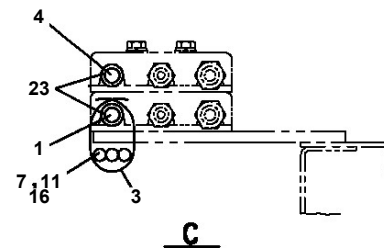
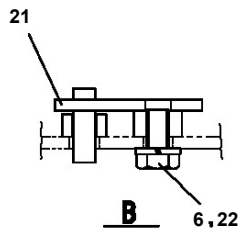
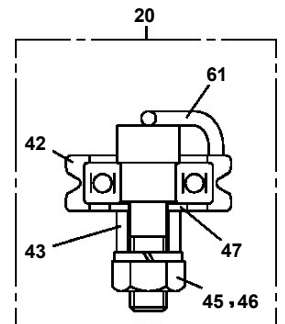
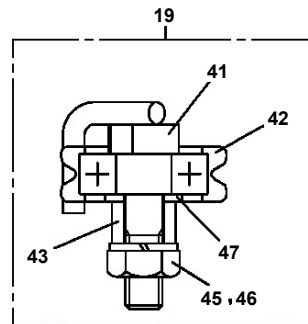
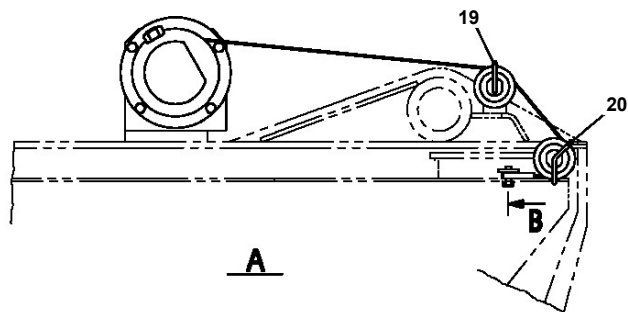
AT-100-2 42063200082 UPPER  
PK1330098-00 COVER (BOOM)



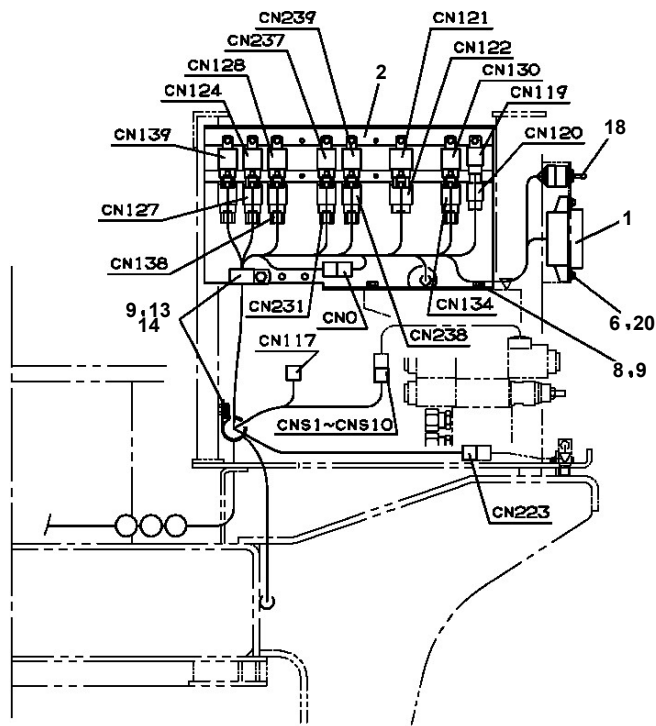
**AT-100-2 42063200082 UPPER  
PK1330276-00 COVER (BUCKET/CLOTH:WHITE)**



**AT-100-2 42063200082 UPPER  
PN1012901-02 ELEC.ASSY (BOOM)**

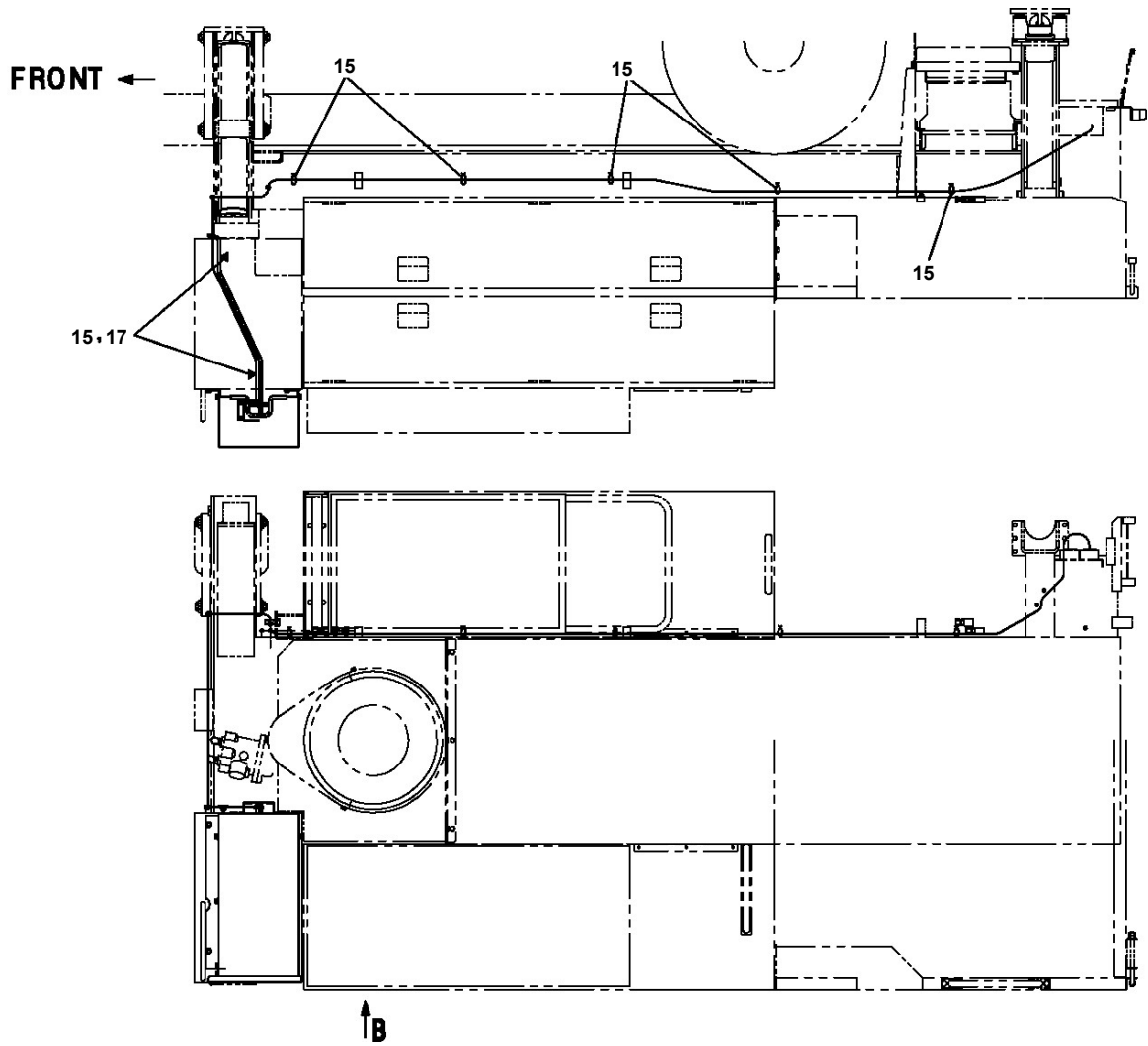


AT-100-2 42063200082 UPPER  
PN1013141-03 ELEC.ASSY (FRAME)



A

**AT-100-2 42063200082 UPPER  
PN1013712-01 ELEC.ASSY (POWER SUPPLY/LOWER,INVERTER)**



# AT-100-2 42063200082 UPPER

Pos No.	Parts No	Parts Name	Qty	Unit	Technical Data	Serial No (Start)	Serial No (End)	Re
1	42500610200	HARNESS	1					
2	42650860900	LAMP ASSY	1					
3	42736070100	SWITCH ASSY (WITH HARNESS)	1					
4	42475560010	PLATE,NAME	1					
5	80172305020	SCREW,MACHINE	1		M5X20			
6	90303070501	WASHER,PLAIN	1		5			
7	90302040501	WASHER,SPRING	8		5			
8	90201200500	NUT	8		M5			
9	82197518114	CAP (MATSUSHITA/BLACK)	1					
	82197518119	CAP (PLUS ONE MFG./BLACK)	1					

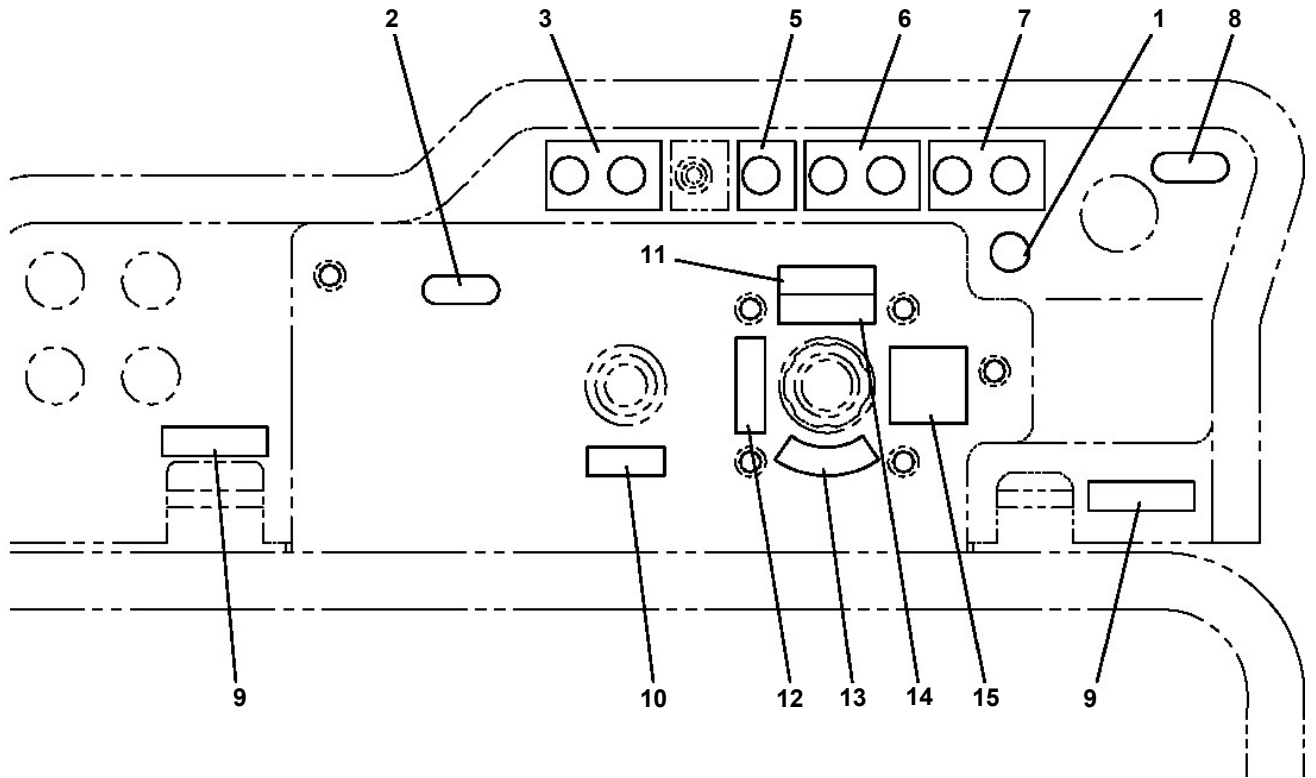
# AT-100-2 42063200082 UPPER

Pos No.	Parts No	Parts Name	Qty	Unit	Technical Data	Serial No (Start)	Serial No (End)	Rema
1	42353117510	CASE ASSY (WITH HARENSS)	1					
2	42651727520	COVER (CASE)	1					
3	42651727530	PACKING (COVER)	1					
4	42651727540	PANEL	1					
5	42651727550	BOARD,CIRCUIT	1					
31	(*****)	P-ROM	1					
50	42354461000	TRANSMITTER,SIGNAL	1					

# AT-100-2 42063200082 UPPER

Pos No.	Parts No	Parts Name	Qty	Unit	Technical Data	Serial No (Start)	Serial No (E
1	37002217330	PLATE,CAUTION (TADANO HYDRAULIC)	1				

**AT-100-2 42063200082 UPPER  
PO1014351-00 PLATE ASSY,NAME (BUCKET,1-LEVER 3CONT.)**



# AT-100-2 42063200082 UPPER

Pos No.	Parts No	Parts Name	Qty	Unit	Technical Data	Serial No (Start)	Serial No (End)	Remarks	Pages
1	42477661000	MAT	1						

# AT-100-2 42063200082 UPPER

Pos No.	Parts No	Parts Name	Qty	Unit	Technical Data	Serial No (Start)	Serial No (End)
1	42460012540	WEDGE (STOPPER FOR TIRE/NAKAMURA KIKI)	1				

CLICK HERE TO **DOWNLOAD** THE COMPLETE MANUAL

- Thank you very much for reading the preview of the manual.
- You can download the complete manual from: [www.heydownloads.com](http://www.heydownloads.com) by clicking the link below



- Please note: If there is no response to CLICKING the link, please download this PDF first and then click on it.

CLICK HERE TO **DOWNLOAD** THE COMPLETE MANUAL