

AP-40-1-00102 5 BOOM,WHEEL TYPE

PZ1000052-03 SYSTEM (AP-40-1)

ASSEMBLY

CLICK HERE TO **DOWNLOAD** THE COMPLETE MANUAL

- Thank you very much for reading the preview of the manual.
- You can download the complete manual from: www.heydownloads.com by clicking the link below



- Please note: If there is no response to CLICKING the link, please download this PDF first and then click on it.

CLICK HERE TO **DOWNLOAD** THE COMPLETE MANUAL

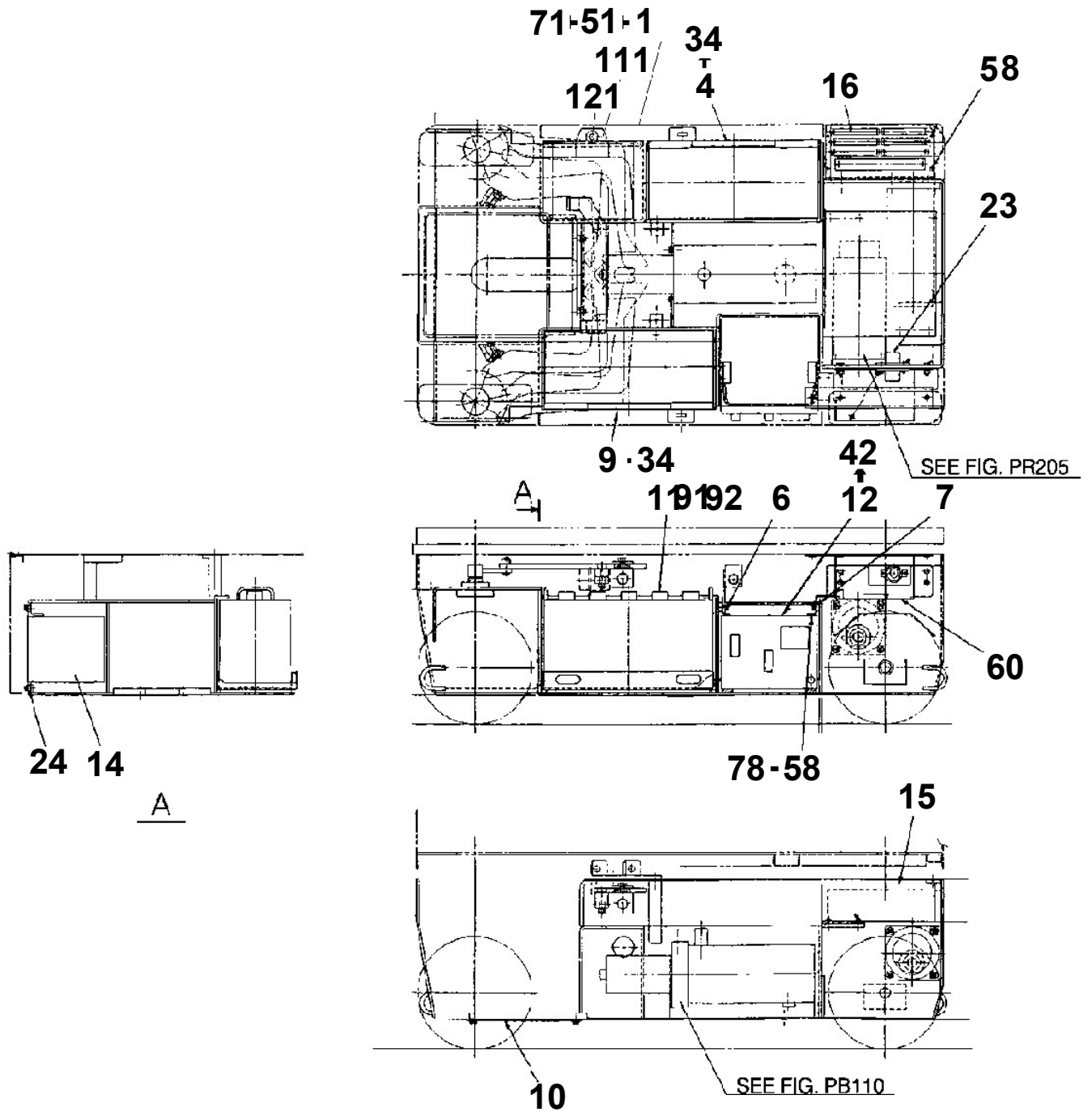
AP-40-1-00102 5 BOOM,WHEEL TYPE

Pos No.	Parts No	Parts Name	Qty	Unit	Technical Data	Serial No (Start)	Serial No (End)	Remarks
16	91002800900	O-RING	4		1B P9			
18	44550517520	SOLENOID ASSY	2					
19	44550417910	BOX ASSY (TERMINAL)	1					
20	44550417920	RECEPTACLE	1					
31	44550517530	HARNESS (WITH DIODE)	1					
34	91002801800	O-RING	2		1B P18			
35	91001100400	O-RING	4		1A P4			
50	44550510030	VALVE,SOLENOID CONTROL	1					

AP-40-1-00102 5 BOOM,WHEEL TYPE

Pos No.	Parts No	Parts Name	Qty	Unit	Technical Data	Serial No (Start)	Serial No (End)	Remarks	Pages
1	44550100630	DETECTOR,ANGLE	1						
2	44550100640	SHIM	1		T=0.5				

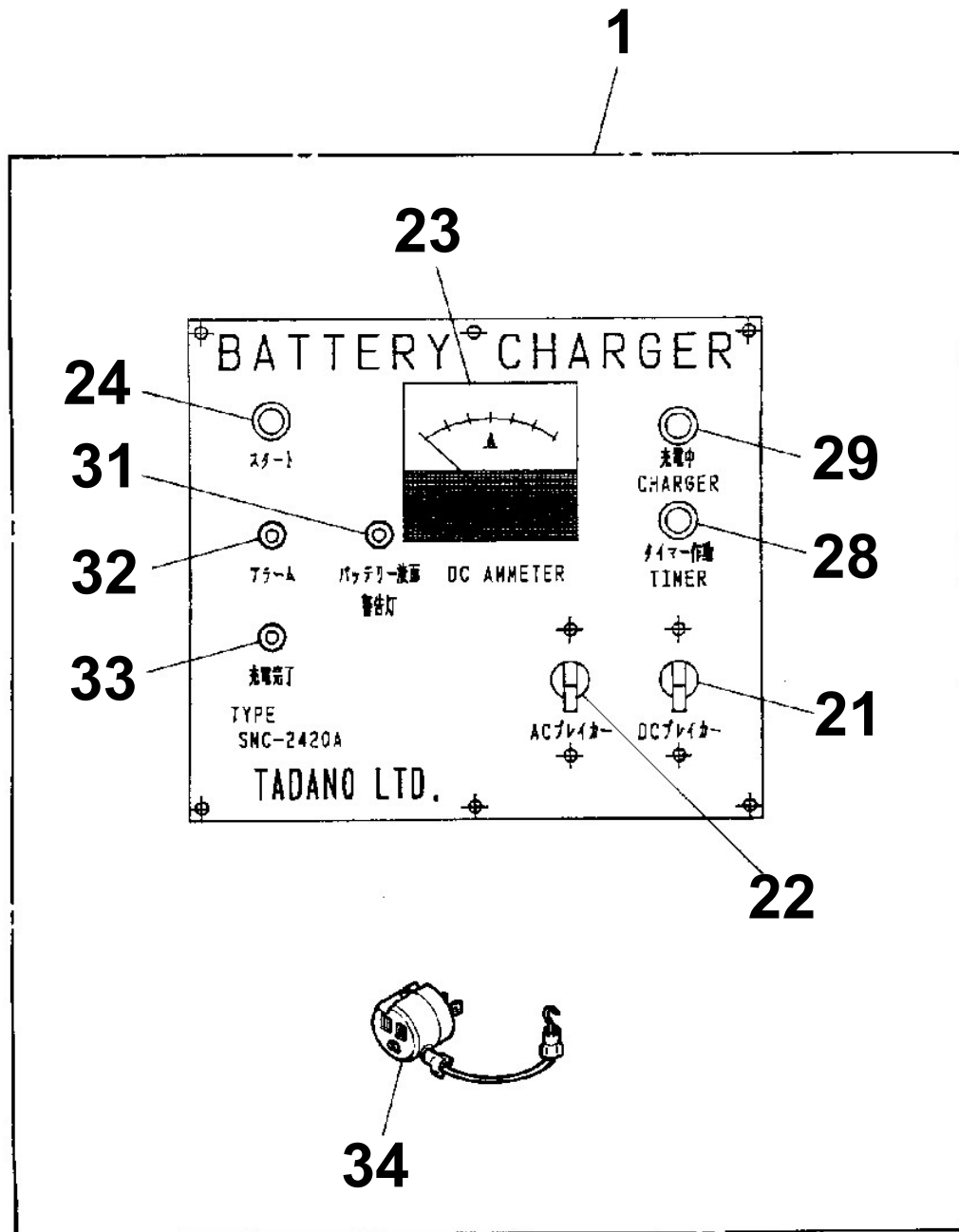
AP-40-1-00102 5 BOOM, WHEEL TYPE
 PK1010341-01 FRAME



AP-40-1-00102 5 BOOM,WHEEL TYPE

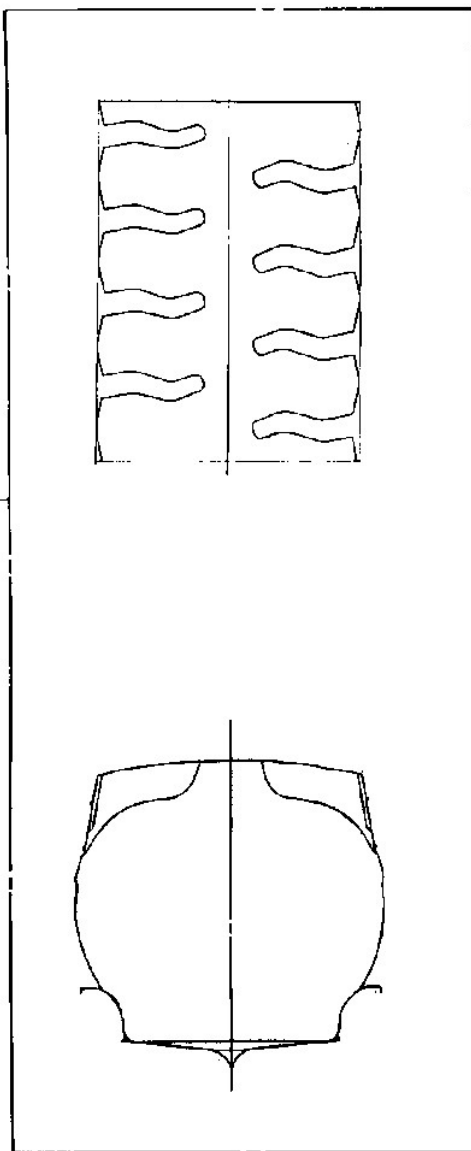
Pos No.	Parts No	Parts Name	Qty	Unit	Technical Data	Serial No (Start)	Serial No (End)	Remarks	Pa
2	44550520510	CABLE (CURL CORD)	1						

AP-40-1-00102 5 BOOM,WHEEL TYPE
PN1420003-01 CHARGER,BATTERY



AP-40-1-00102 5 BOOM,WHEEL TYPE
PR1800002-00 TIRE

1



CLICK HERE TO **DOWNLOAD** THE COMPLETE MANUAL

- Thank you very much for reading the preview of the manual.
- You can download the complete manual from: www.heydownloads.com by clicking the link below



- Please note: If there is no response to CLICKING the link, please download this PDF first and then click on it.

CLICK HERE TO **DOWNLOAD** THE COMPLETE MANUAL