

**AC-45-1-80102 SCISSORS,CRAWLER TYPE**

**PZ1000281-01 SYSTEM**

**ASSEMBLY**

CLICK HERE TO **DOWNLOAD** THE COMPLETE MANUAL

- Thank you very much for reading the preview of the manual.
- You can download the complete manual from: [www.heydownloads.com](http://www.heydownloads.com) by clicking the link below



- Please note: If there is no response to CLICKING the link, please download this PDF first and then click on it.

CLICK HERE TO **DOWNLOAD** THE COMPLETE MANUAL

## AC-45-1-80102 SCISSORS,CRAWLER TYPE

Pos No.	Parts No	Parts Name	Qty	Unit	Technical Data	Serial No (Start)	Serial No (End)	Remarks
1	44550410020	SUPPORT	1					
2	44550410030	JOINT	2					
4	44550410040	SPACER	1					
5	44550410050	JOINT (WITH THROTTLE)	1					
9	44550730030	SWITCH,PRESSURE	1		113KG/CM2			
10	44550419510	PUMP,HYDRAULIC	1					
	44550419610	PUMP,HYDRAULIC	1					
11	44550240000	CYLINDER,LIFT	2					
12	44550410140	VALVE (NEEDLE)	1					
13	44550730060	SWITCH,PRESSURE	1					
14	44550410150	HOSE	2		PF1/4X5.5M			
15	44550410160	HOSE	2		PF1/4X1.2M			
17	44550410180	HOSE	1		PF1/4X0.63M			
20	44550410210	HOSE	1		PF1/4X0.56M			
22	80430410450	JOINT	1					
23	80430450450	JOINT	3		YL502			
24	80430620400	JOINT	4					
25	44550730020	CLAMP	10					
30	80305080020	JOINT	1					
31	80306030020	JOINT,NIPPLE	1					
32	80303080020	JOINT	2		SSTL1/4			
36	44550410350	VALVE,SAFETY	1					
39	80316090040	PLUG SOCKET	3		R1/4			
40	90101508035	BOLT	2		M8X35			
41	90302040801	WASHER,SPRING	6		8			
42	90101508015	BOLT	4		M8X15			
43	90101506035	BOLT	10		M6X35			
44	90302040601	WASHER,SPRING	10		6			
45	90303070601	WASHER,PLAIN	10		6			
48	82100001804	TUBE,CORRUGATE	11	M	15			
49	82100001804	TUBE,CORRUGATE	3	M	15			
50	82100001804	TUBE,CORRUGATE	1	M	15			
51	82100001804	TUBE,CORRUGATE	1	M	15			
61	91002801100	O-RING	4		1B P11			

# AC-45-1-80102 SCISSORS,CRAWLER TYPE

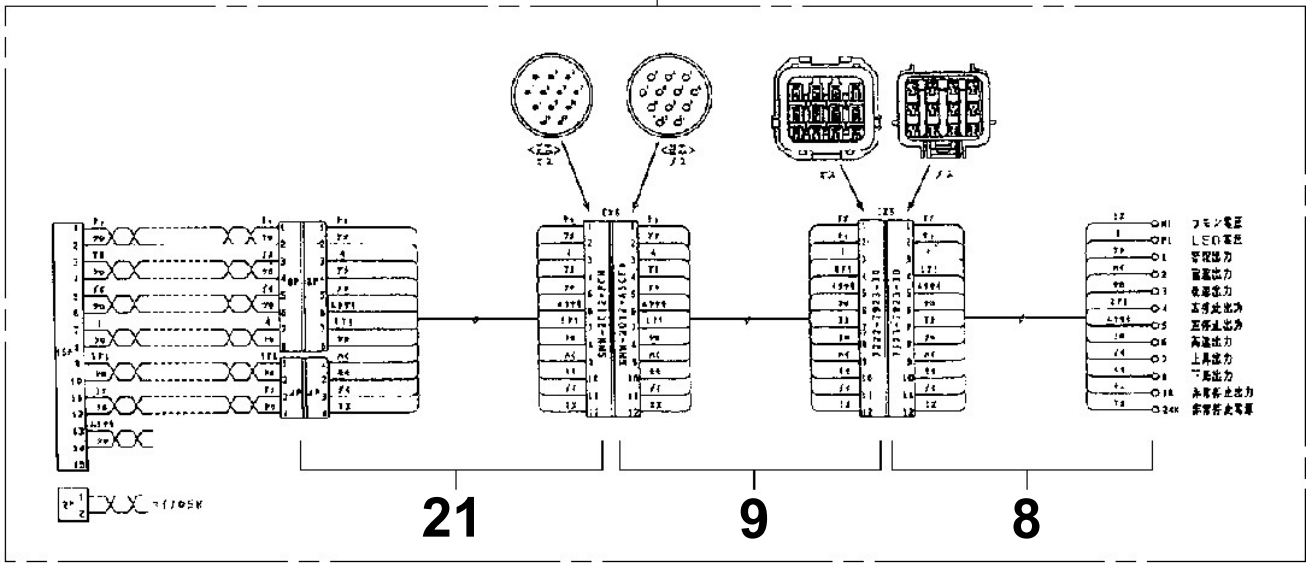
Pos No.	Parts No	Parts Name	Qty	Unit	Technical Data	Serial No (Start)	Serial No (End)	Remarks	Pages
1	44550421010	DETECTOR,ANGLE	1						

## AC-45-1-80102 SCISSORS,CRAWLER TYPE

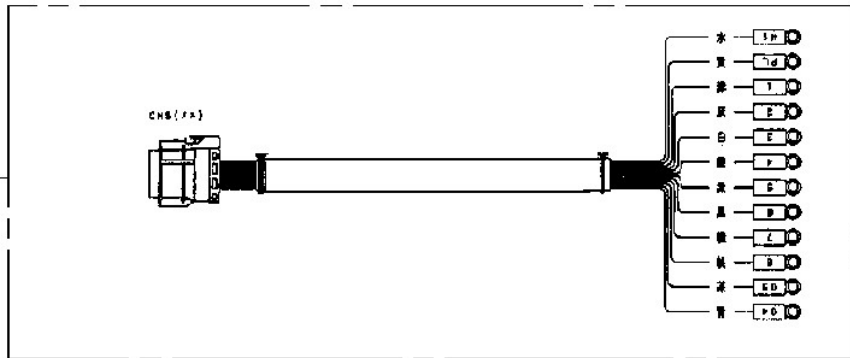
Pos No.	Parts No	Parts Name	Qty	Unit	Technical Data	Serial No (Start)	Serial No (End)	R
64	80165103008	SCREW,MACHINE	2		M3X8	ZD0492		
65	90201200300	NUT	4		M3	ZD0572		
	90201200300	NUT	2		M3	ZD0492	ZD0571	
66	90302040301	WASHER,SPRING	2		3	ZD0492	ZD0571	
	90302040301	WASHER,SPRING	4		3	ZD0572		
67	80151103010	SCREW,MACHINE	2		M3X10	ZD0572		
68	90303070301	WASHER,PLAIN	2		3	ZD0572		
86	44550377510	HINGE	4					
	44550377510	HINGE	2				ZD0491	
94	44550377600	CHAIN (LINK)	1				ZD0491	
101	44550377610	COVER (TERMINAL)	2					
102	44550427750	SENSOR (BATTERY FLUIDLEVEL)	2					

# AC-45-1-80102 SCISSORS, CRAWLER TYPE PN1011505-03 ELEC. ASSY (HARNESS)

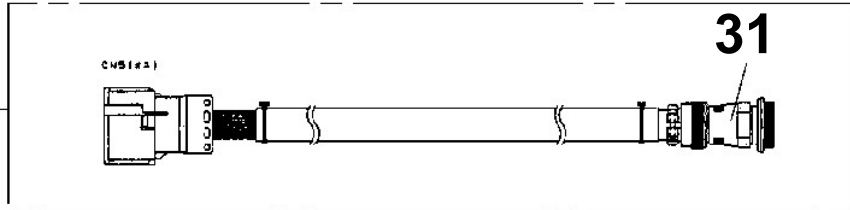
7



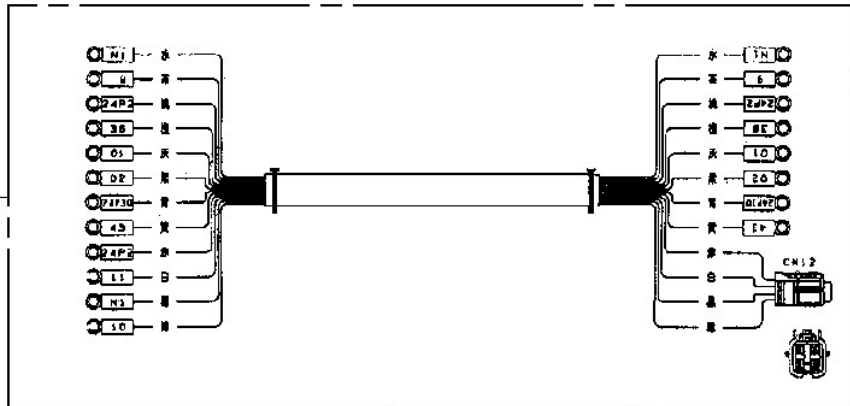
8



9

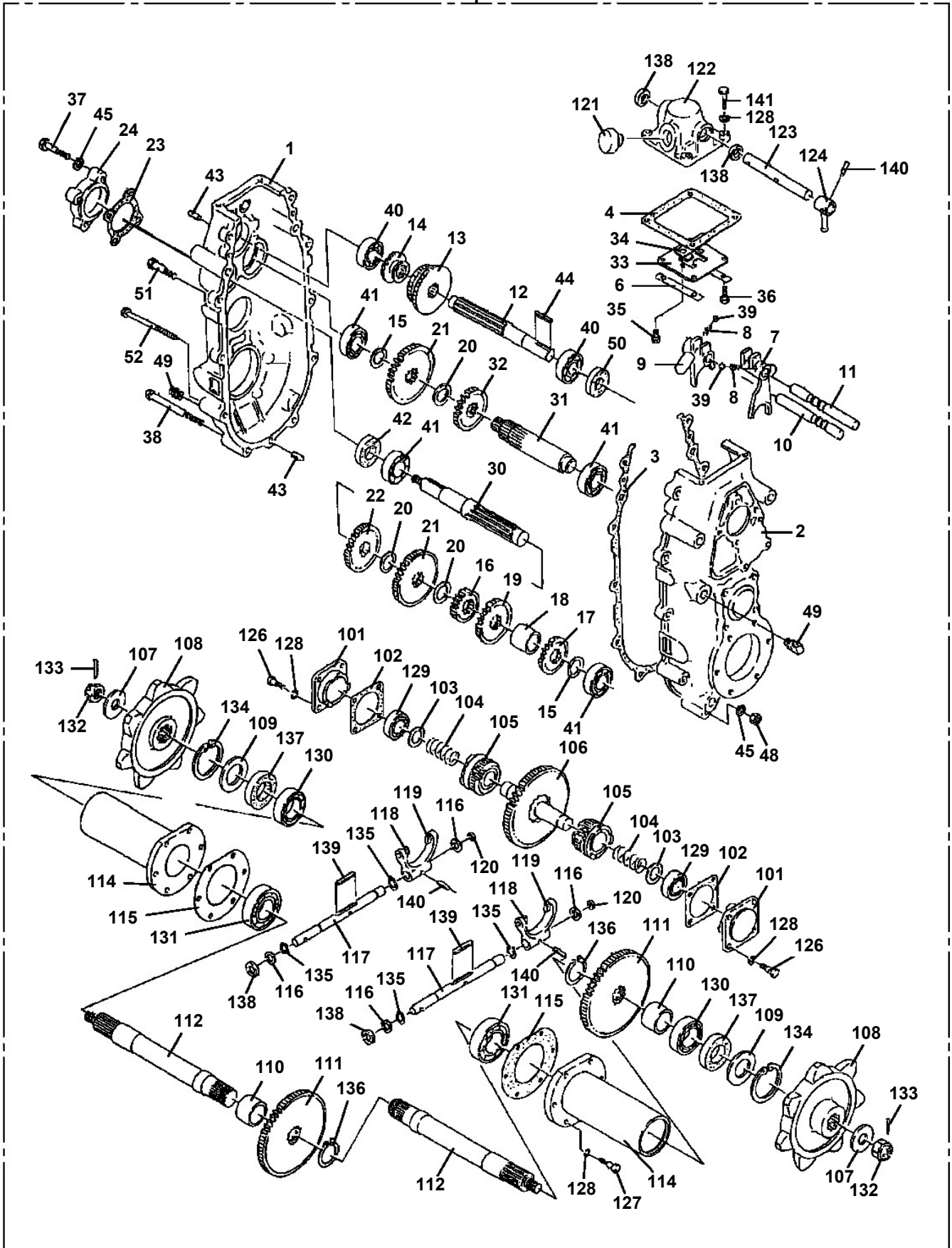


10



AC-45-1-80102 SCISSORS, CRAWLER TYPE  
PR1400021-01 TRANSMISSION

200



CLICK HERE TO **DOWNLOAD** THE COMPLETE MANUAL

- Thank you very much for reading the preview of the manual.
- You can download the complete manual from: [www.heydownloads.com](http://www.heydownloads.com) by clicking the link below



- Please note: If there is no response to CLICKING the link, please download this PDF first and then click on it.

CLICK HERE TO **DOWNLOAD** THE COMPLETE MANUAL