

AC-120-1-80102 3 BOOM,CRAWLER TYPE

PB1000218-01 HYDRAULIC PRESSURE GENERATING SYSTEM

PD1000204-01 SWING SYSTEM

PE1000202-00 ELEVATING SYSTEM

PG1000199-02 TELESCOPING SYSTEM

PH1000187-00 SAFETY DEVICES

PI1000224-02 HYDRAULIC DEVICES

PJ3000038-00 PLATFORM SYSTEM

PK1000212-02 FRAME

PL1000208-01 CONTROL DEVICES

PN1000132-02 ELECTRIC EQUIPMENT

PO1000131-03 INDICATION PLATES

PW1000109-01 ACCESSORIES & TOOLS

PY1000186-00 OPTIONS

ASSEMBLY

CLICK HERE TO **DOWNLOAD** THE COMPLETE MANUAL

- Thank you very much for reading the preview of the manual.
- You can download the complete manual from: www.heydownloads.com by clicking the link below



- Please note: If there is no response to CLICKING the link, please download this PDF first and then click on it.

CLICK HERE TO **DOWNLOAD** THE COMPLETE MANUAL

AC-120-1-80102 3 BOOM,CRAWLER TYPE

Pos No.	Parts No	Parts Name	Qty	Unit	Technical Data	Serial No (Start)	Serial No (End)	Remarks
1	(*****)	DETECTOR,FRAME ANGLE	1					
2	(*****)	FOOT SWITCH (LOWER)	1					
3	(*****)	FOOT SWITCH (UPPER)	1					
4	(*****)	TOUCH SWITCH	1					
	(*****)	TOUCH SWITCH (FOR NIKKEN)	1			095197		

AC-120-1-80102 3 BOOM,CRAWLER TYPE

Pos No.	Parts No	Parts Name	Qty	Unit	Technical Data	Serial No (Start)	Serial No (End)	Remark
1	(*****)	ELEC.ASSY (SWING FRAME 1)	1				095097	
	(*****)	ELEC.ASSY (SWING FRAME 1)	1			095098		
2	(*****)	ELEC.ASSY (SWING FRAME 2)	1					
3	(*****)	ELEC.ASSY (BOOM)	1			095197		
	(*****)	ELEC.ASSY (BOOM)	1				095196	
4	(*****)	ELEC.ASSY (BASKET)	1					
5	(*****)	RELAY BOX INSTALLATION	1			095098		
	(*****)	RELAY BOX INSTALLATION	1				095097	
6	(*****)	RELAY	1				095097	
	(*****)	RELAY	1			095098		

AC-120-1-80102 3 BOOM,CRAWLER TYPE

Pos No.	Parts No	Parts Name	Qty	Unit	Technical Data	Serial No (Start)	Serial No (End)	R
1	19215195580	MOTOR ASSY	1		24V			
10	36651345010	PUMP ASSY	1					
13	19215105160	SEAL,OIL	1					
20	36651290000	PUMP,HYDRAULIC (EMERGENCY)	1					

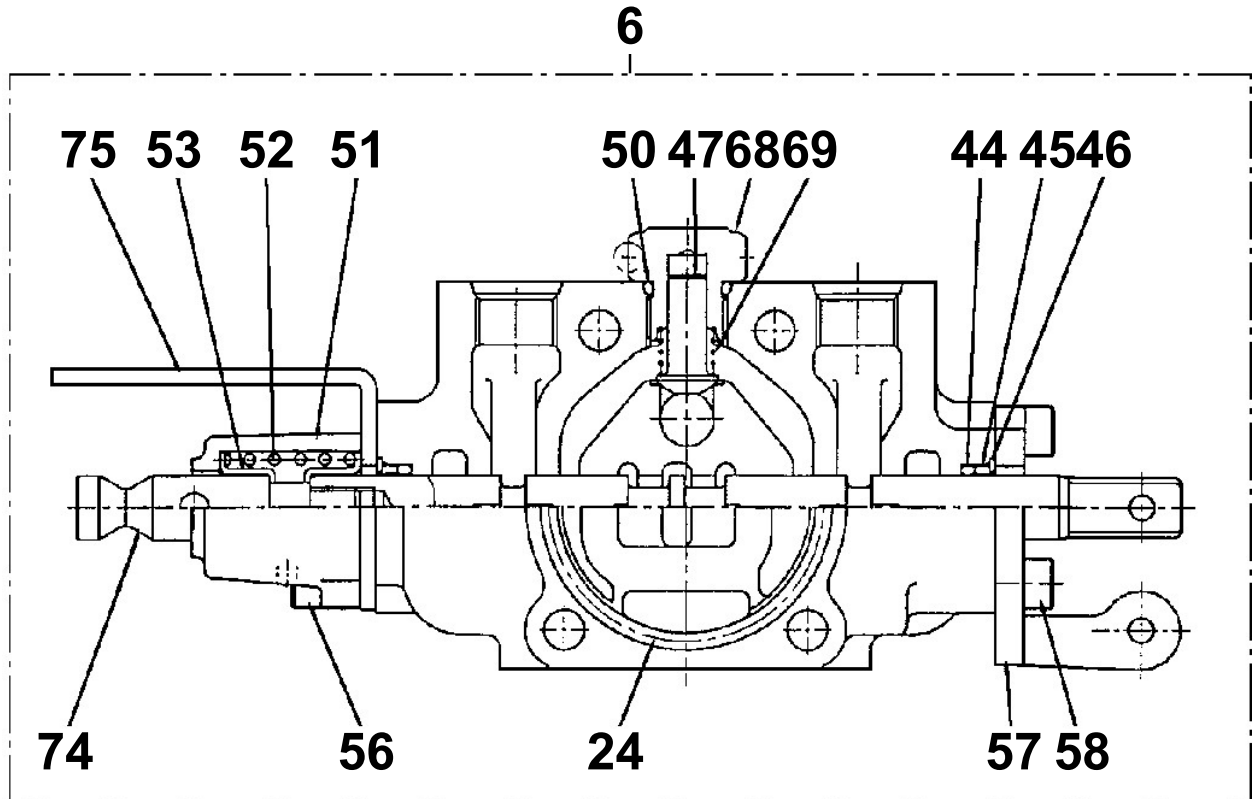
AC-120-1-80102 3 BOOM,CRAWLER TYPE

Pos No.	Parts No	Parts Name	Qty	Unit	Technical Data	Serial No (Start)	Serial No (End)
72	82100002256	TERMINAL	4				
73	82100002329	PLUG	2				
74	36641520000	VALVE,SOLENOID	2				
81	91002801400	O-RING	1		1B P14		
91	91002801800	O-RING	1		1B P18		
101	91002801100	O-RING	2		1B P11		

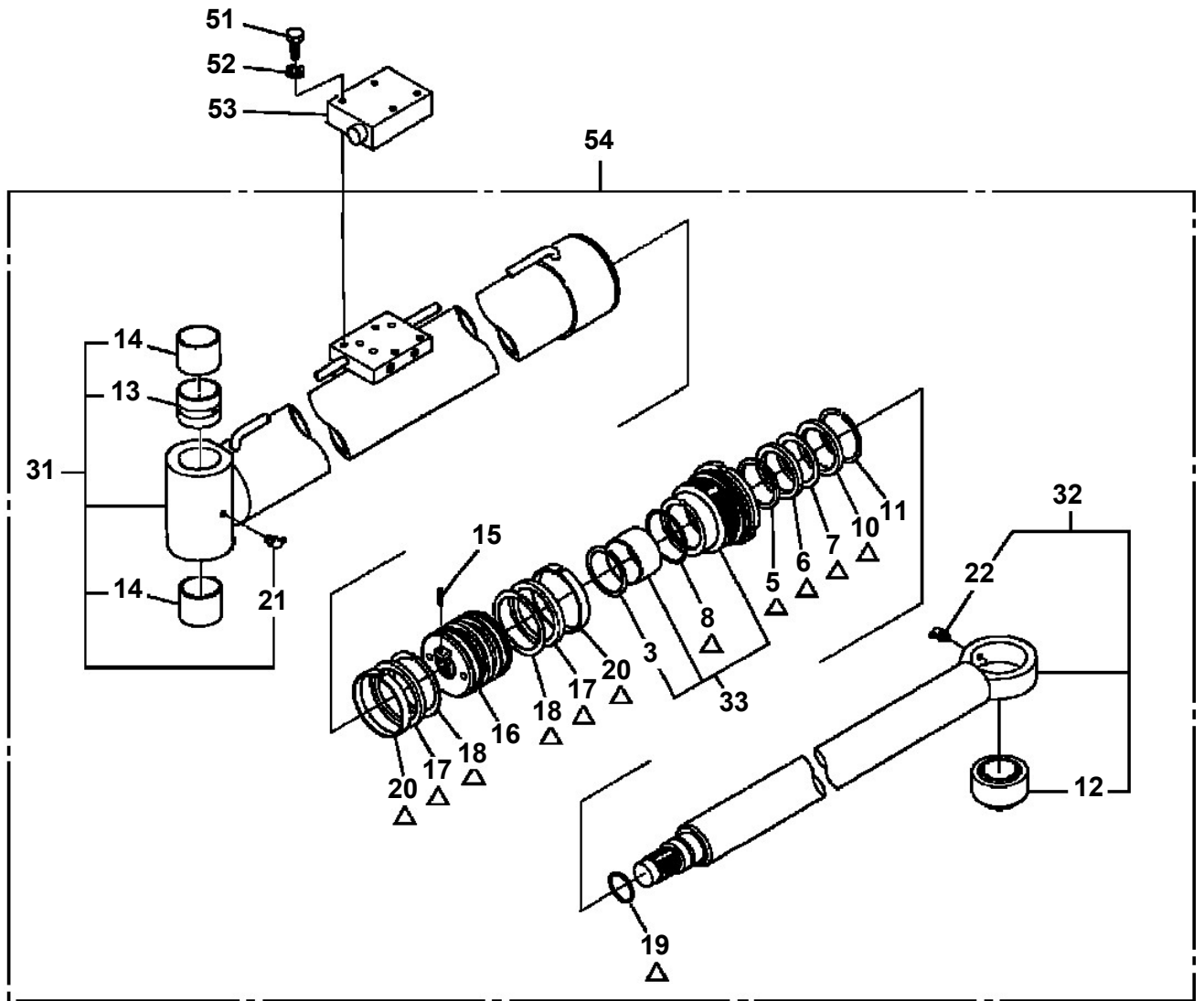
AC-120-1-80102 3 BOOM,CRAWLER TYPE

Pos No.	Parts No	Parts Name	Qty	Unit	Technical Data	Serial No (Start)	Serial No (End)
2	36634505010	VALVE,RELIEF	1				
4	36634505040	VALVE,CONTROL (ELEVATING)	1				
5	36634505030	VALVE,CONTROL (TELESCOPING)	1				
6	36634625020	VALVE,CONTROL (SWING)	1				
11	36634505050	BODY	1				
12	36634505060	BODY	1				
14	91002905500	O-RING	1		1B G55		
24	91000501500	O-RING	1		AS568-015		
25	91002802200	O-RING	1		1B P22		
26	91002801001	O-RING	1		1B P10A		
34	91001001600	O-RING	2		1A S16		
43	56051331100	SEAL,OIL	6				
55	91002801400	O-RING	3		1B P14		
57	91002905500	O-RING	3		1B G55		
200	36634620000	VALVE,MANUAL CONTROL (LOWER)	1				

AC-120-1-80102 3 BOOM,CRAWLER TYPE
PB1320465-00 VALVE,MANUAL CONTROL (UPPER)

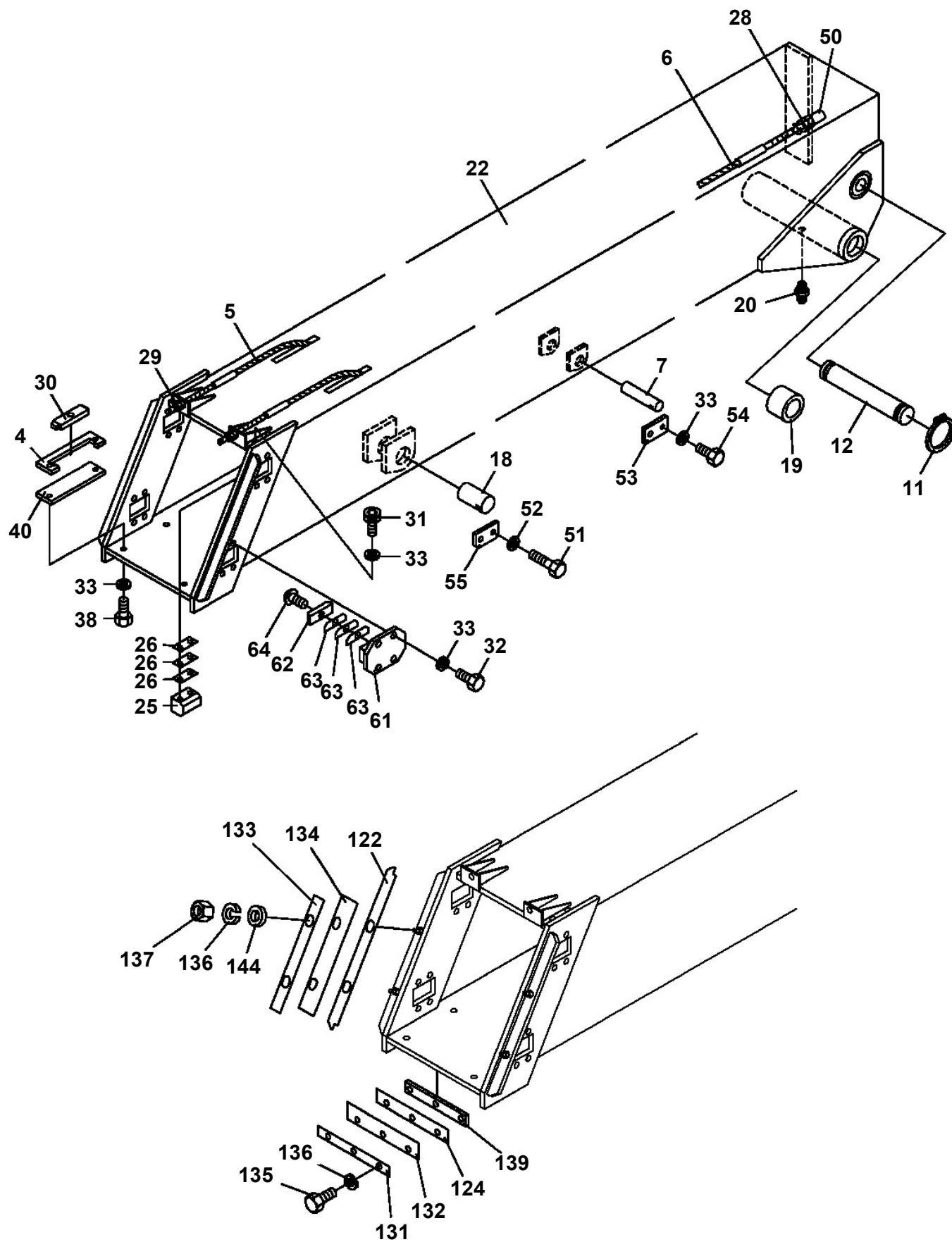


AC-120-1-80102 3 BOOM,CRAWLER TYPE
PE1010067-03 CYLINDER,ELEVATING

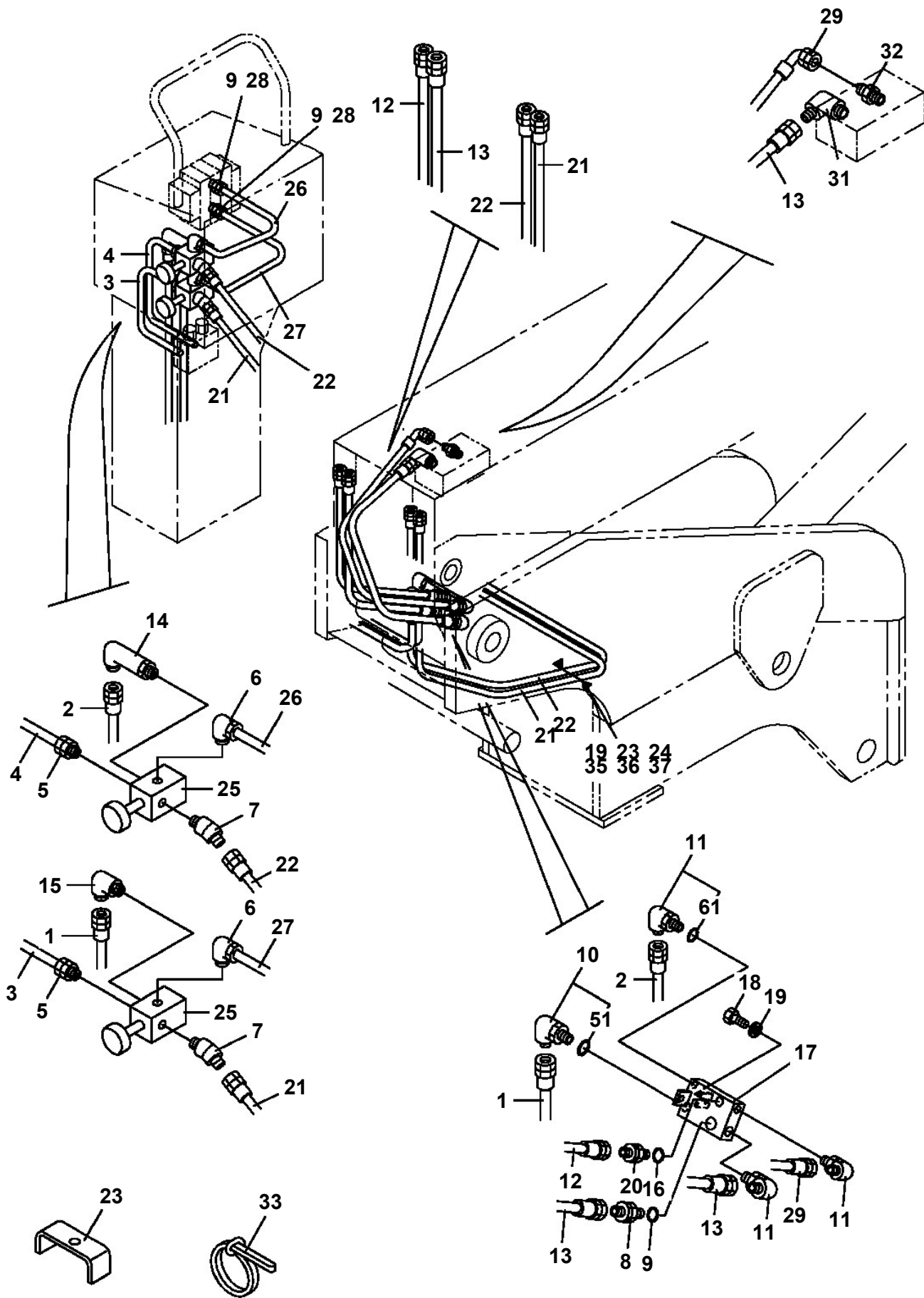


△: PACKING SET KEY NO.40 (KEY NO. 5, 6, 7, 8, 10, 17, 18, 19, 20)

AC-120-1-80102 3 BOOM,CRAWLER TYPE
PG1010269-01 BOOM



AC-120-1-80102 3 BOOM, CRAWLER TYPE
PG1200079-00 PIPING, TELESCOPING



CLICK HERE TO **DOWNLOAD** THE COMPLETE MANUAL

- Thank you very much for reading the preview of the manual.
- You can download the complete manual from: www.heydownloads.com by clicking the link below



- Please note: If there is no response to CLICKING the link, please download this PDF first and then click on it.

CLICK HERE TO **DOWNLOAD** THE COMPLETE MANUAL

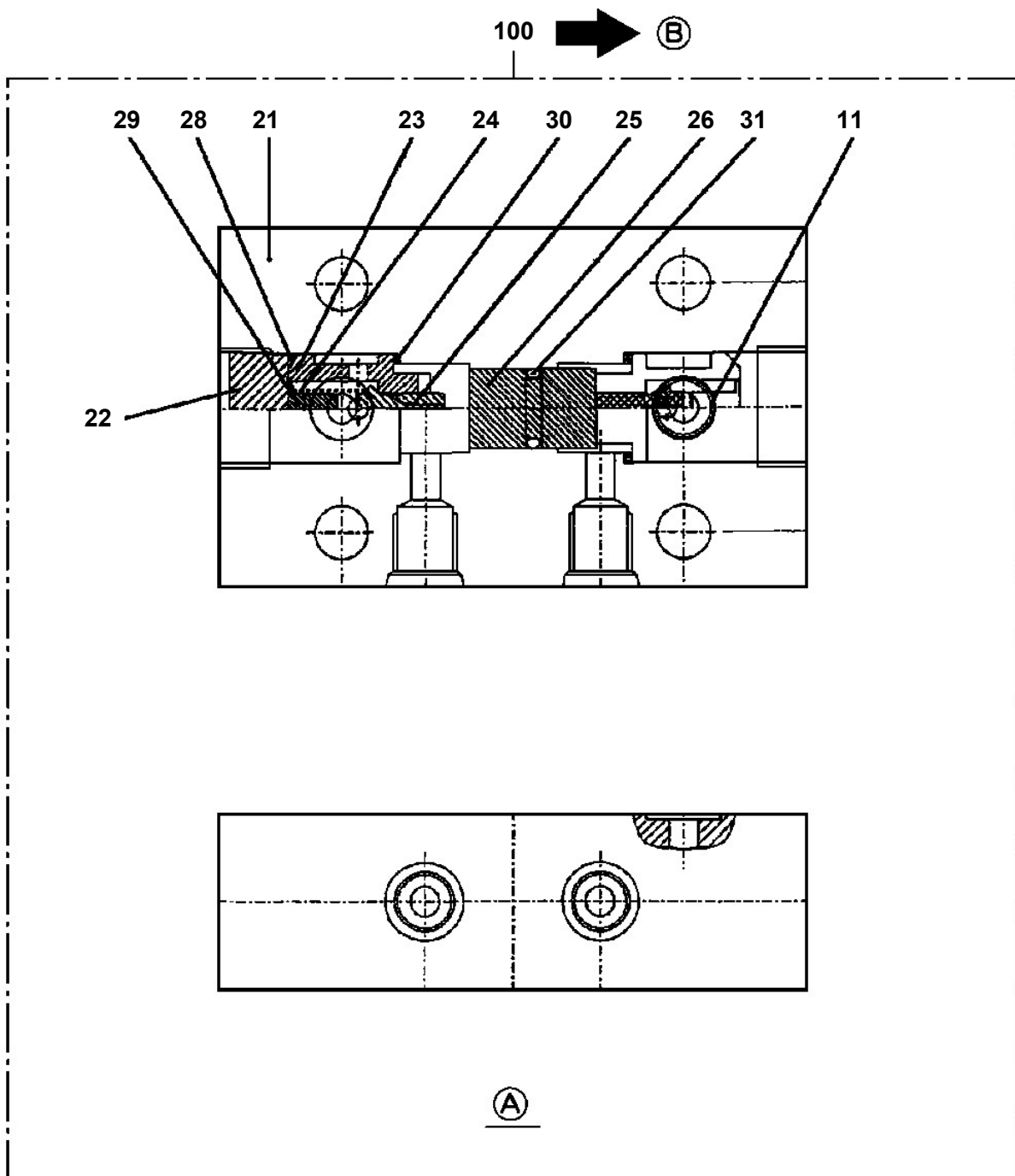
AC-120-1-80102 3 BOOM,CRAWLER TYPE

Pos No.	Parts No	Parts Name	Qty	Unit	Technical Data	Serial No (Start)	Serial No (End)	Remarks	Pages
1	37001906900	ROPE,WIRE	1						
2	44430450010	SUPPORT	1						
3	90303070801	WASHER,PLAIN	2		8				
4	82100002004	CLAMP	8		WR8	095218	095687		
	82100002004	CLAMP	5		WR8		095217		
	82100002002	CLAMP	9		WR6	095688			
5	90101206010	BOLT	5		M6X1.0		095217		
	90101206010	BOLT	8		M6X1.0	095218	095687		
	90101206010	BOLT	7		M6X1.0	095688			
6	90201200600	NUT	8		M6	095218			
	90201200600	NUT	5		M6		095217		
7	90302040601	WASHER,SPRING	5		6		095217		
	90302040601	WASHER,SPRING	8		6	095218			
8	44430270030	SUPPORT	1						
9	80136332025	PIN,SPLIT	1		3.2X25				
10	37000302980	SPACER	1		L=10				
11	90303071201	WASHER,PLAIN	1		12				
12	37001106440	ROLLER	1						
13	44430270040	COVER	1						
14	82100002720	SWITCH,LIMIT	1						
15	44430270050	GUIDE ASSY	1						
16	37000548720	PLATE	1						
17	90101208016	BOLT	4		M8X16				
18	90302040801	WASHER,SPRING	4		8				
21	90101206014	BOLT	1		M6X14	095688			
22	82400000200	GROMMET	1		KG-012,L=250	095688			
31	44430272030	GUIDE	1			095127			
	44430272010	GUIDE	1				095126		
32	44430272020	GUIDE	1						
33	37001300190	SPRING	1						
34	90102208050	BOLT	1		M8X50				
35	90201200800	NUT	4		M8				

AC-120-1-80102 3 BOOM,CRAWLER TYPE

Pos No.	Parts No	Parts Name	Qty	Unit	Technical Data	Serial No (Start)	Serial No (End)	Remarks	Pages
1	36642925100	VALVE ASSY	1						
2	36651835130	PLUG	2		3/8				
3	36603925030	PLUG	2						
4	36642925010	FILTER	2				095708		
	36651715300	FILTER	2			095709			
5	36642925020	SPRING	2						
6	91002801400	O-RING	2		1B P14				
7	91002800800	O-RING	2		1B P8				
8	36652145040	PLUG	5				095708		
	36652145040	PLUG	3			095709			
9	80560058000	BALL,STEEL	2		9/32				
30	36642930000	VALVE,SOLENOID	1						00004
50	36642920000	VALVE,SOLENOID	1						

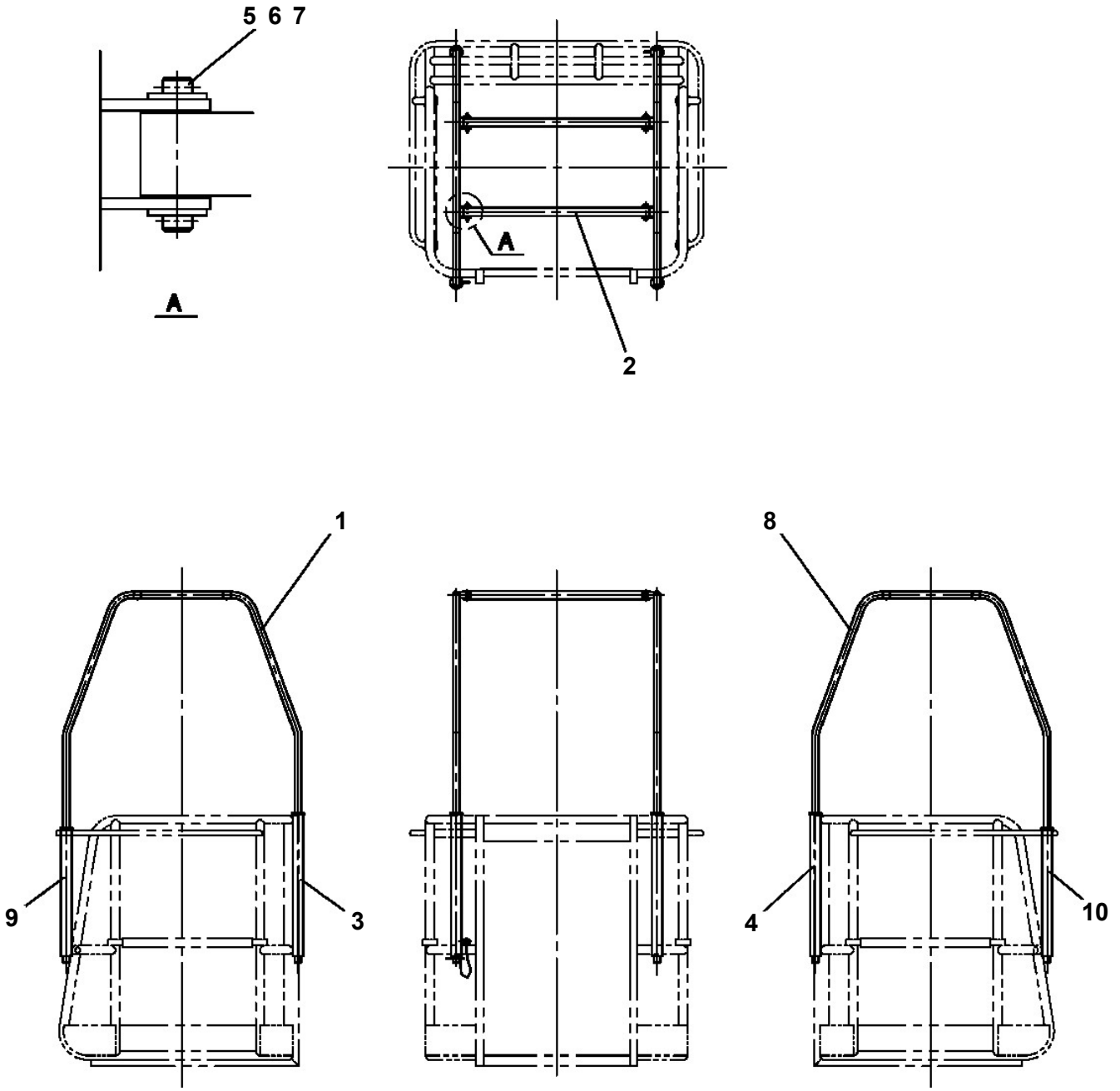
AC-120-1-80102 3 BOOM,CRAWLER TYPE
PI1140133-01 VALVE,CHECK



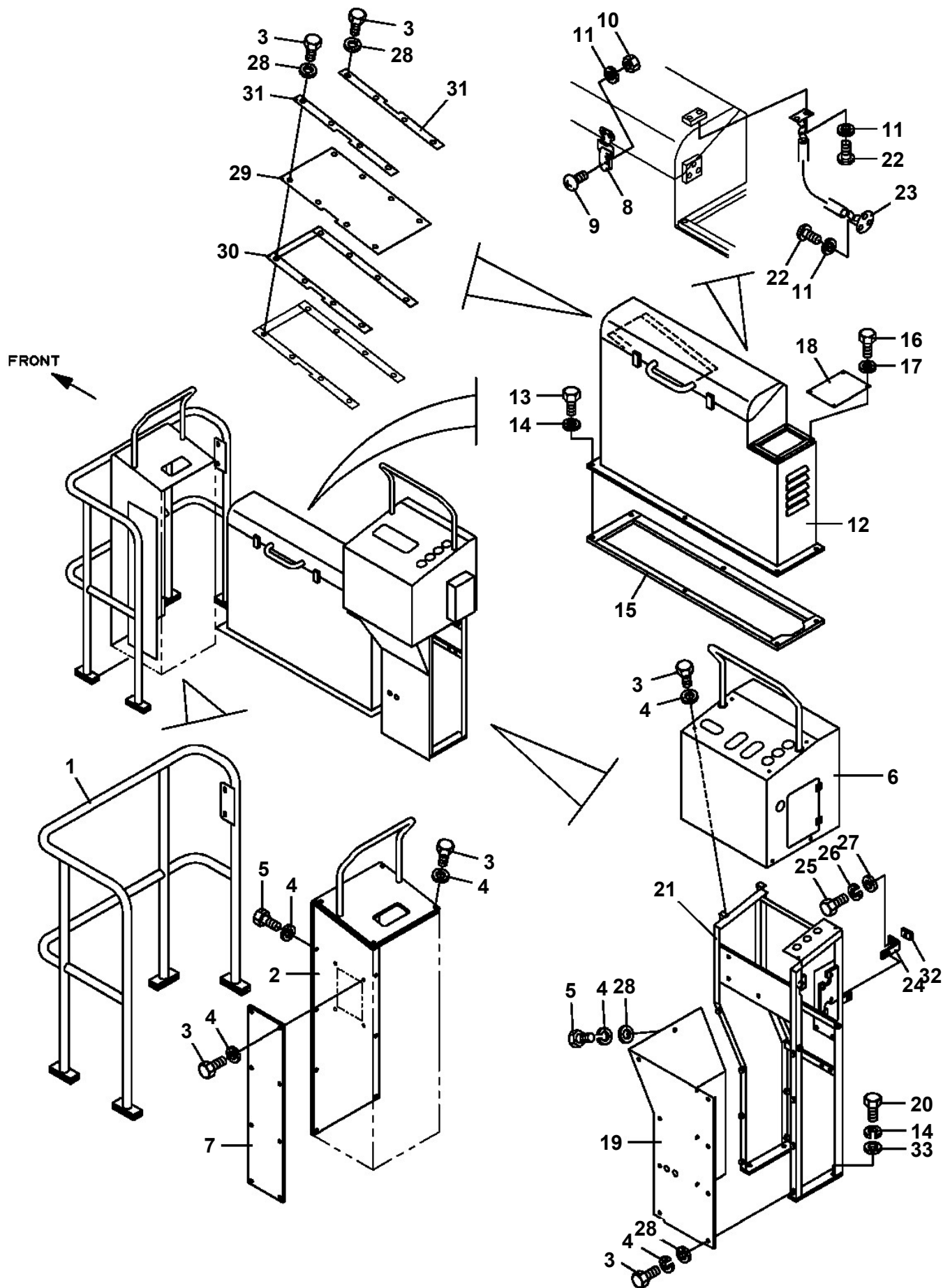
AC-120-1-80102 3 BOOM,CRAWLER TYPE

Pos No.	Parts No	Parts Name	Qty	Unit	Technical Data	Serial No (Start)	Serial No (End)	Remark
3	91002801400	O-RING	3		1B P14			
7	36601665020	SPRING	1					
10	91001001000	O-RING	1		1A S10			
11	36601665030	SPRING	1					
13	91002803400	O-RING	1		1B P34			
14	36601665050	O-RING	1		P25			
15	91410002500	RING,BACKUP	1		P25			
18	91002802600	O-RING	1		1B P26			
19	91001301600	O-RING	1		WP16			
20	91002801000	O-RING	1		1B P10			
21	91410001000	RING,BACKUP	1		P10			
50	36601660001	VALVE,COUNTERBALANCE	1					

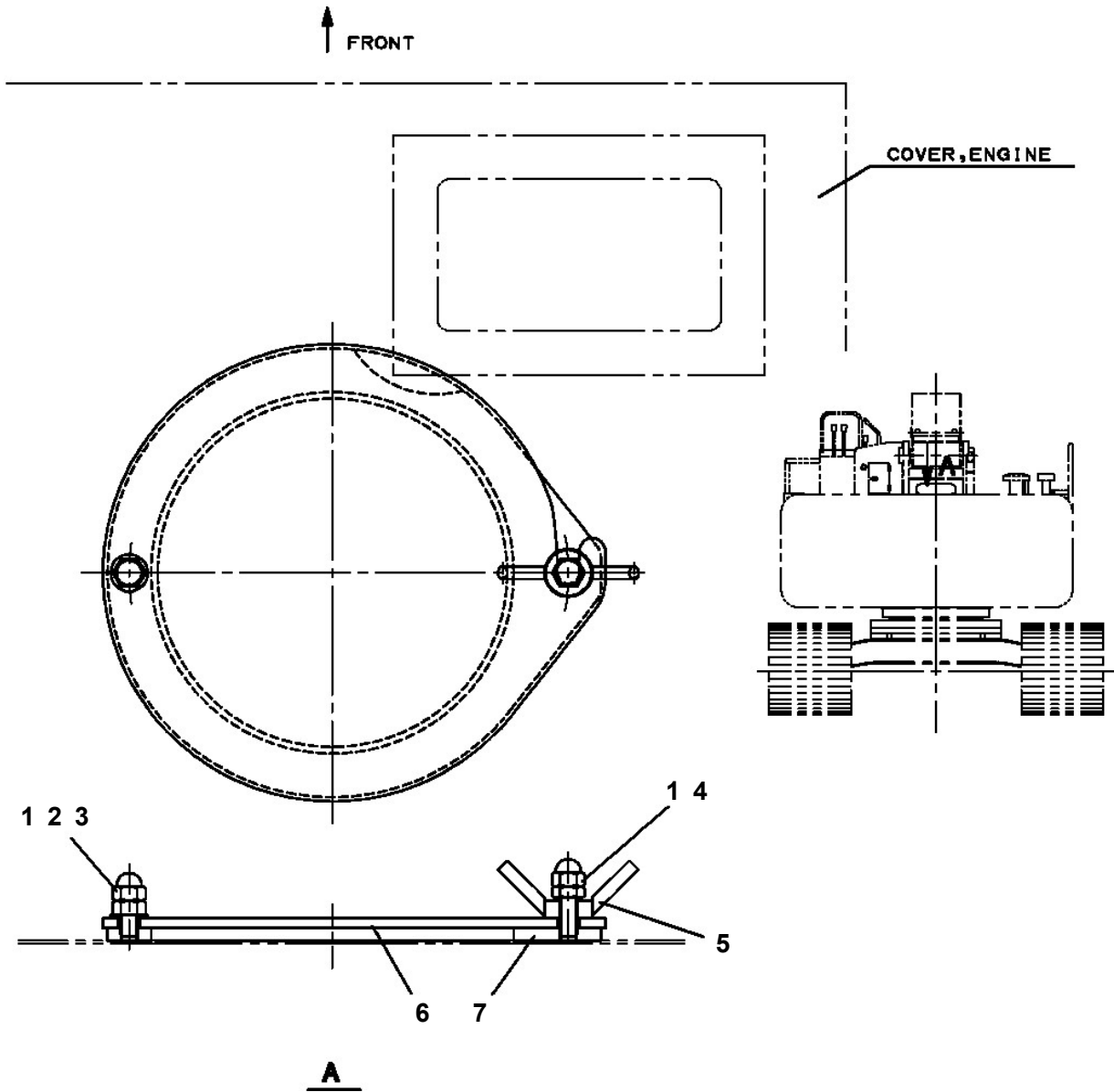
AC-120-1-80102 3 BOOM,CRAWLER TYPE
PJ3090007-00 GUARD (HEAD GUARD)



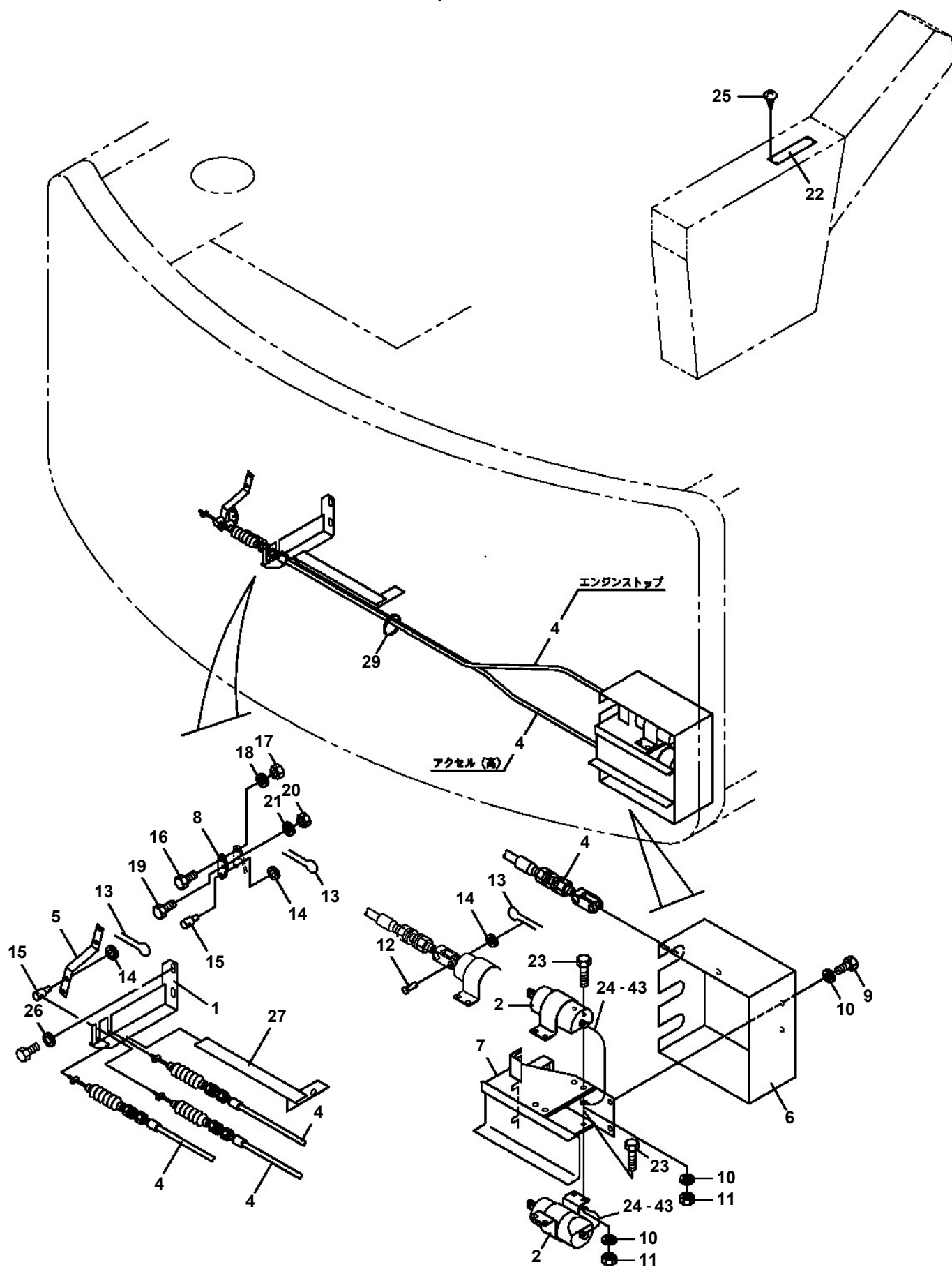
AC-120-1-80102 3 BOOM, CRAWLER TYPE
PK1200155-00 COVER, SWING FRAME



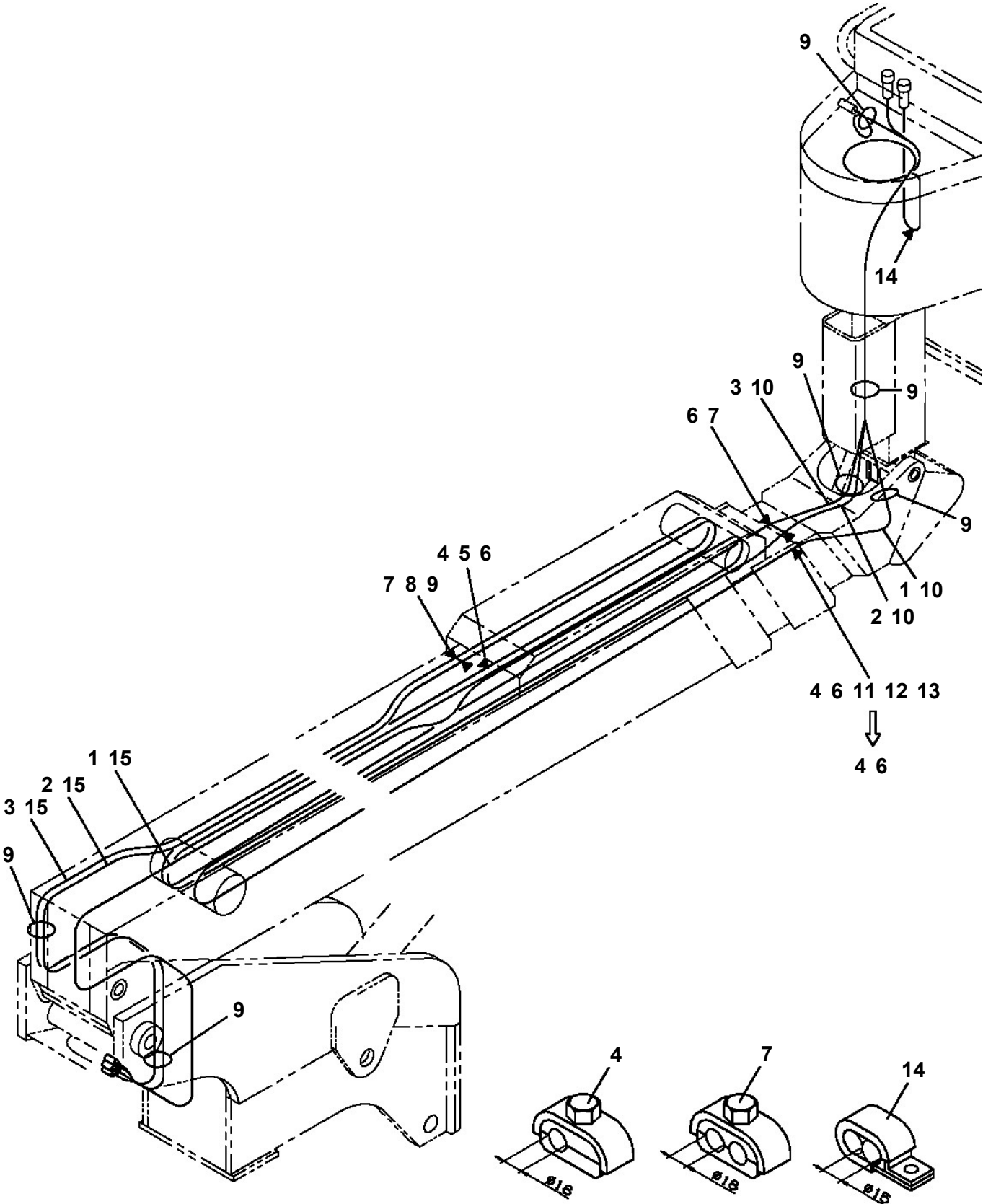
AC-120-1-80102 3 BOOM,CRAWLER TYPE
PK1330015-00 COVER (OPTION)



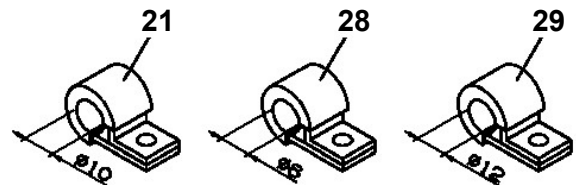
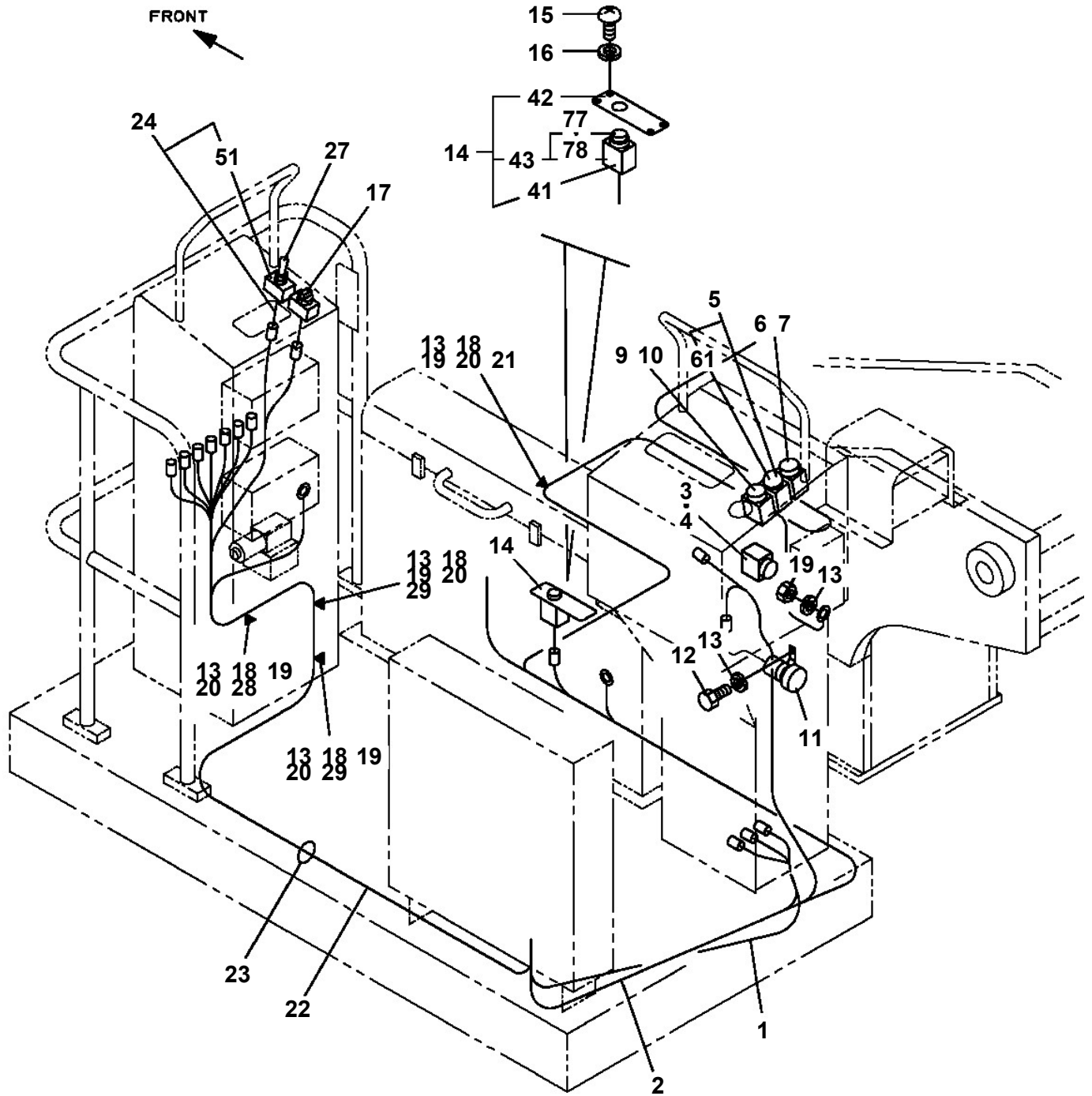
AC-120-1-80102 3 BOOM, CRAWLER TYPE
PL1030285-01 OPERATION SYSTEM, ACCELERATOR



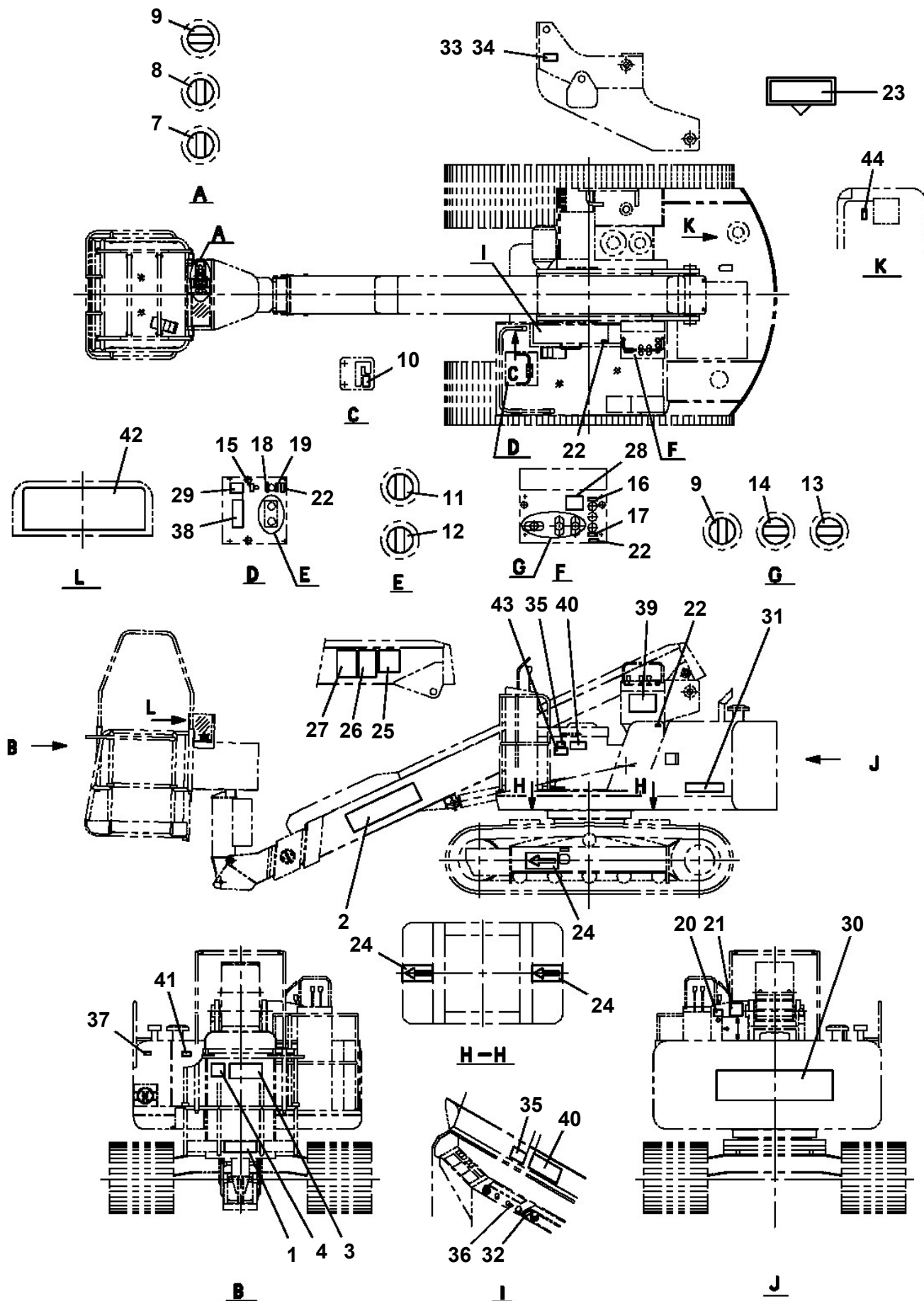
AC-120-1-80102 3 BOOM,CRAWLER TYPE
PN1010789-00 ELEC.ASSY (BOOM)



AC-120-1-80102 3 BOOM, CRAWLER TYPE
PN1010872-02 ELEC. ASSY (SWING FRAME 1)



**AC-120-1-80102 3 BOOM, CRAWLER TYPE
PO1010951-02 PLATE, INDICATION**



CLICK HERE TO **DOWNLOAD** THE COMPLETE MANUAL

- Thank you very much for reading the preview of the manual.
- You can download the complete manual from: www.heydownloads.com by clicking the link below



- Please note: If there is no response to CLICKING the link, please download this PDF first and then click on it.

CLICK HERE TO **DOWNLOAD** THE COMPLETE MANUAL