

DT-720-1-41600 LOWER,ISUZU PKG-FRR90S1-JAYN-M

PB1000397-00 HYDRAULIC PRESSURE GENERATING SYSTEM

PC1000315-01 OUTRIGGER SYSTEM

PK1000638-00 FRAME

PL1000387-01 CONTROL DEVICES

PN1000576-00 ELECTRIC EQUIPMENT

PO1000169-00 INDICATION PLATES

PW1000028-00 ACCESSORIES & TOOLS

PX1001178-00 MOUNTING PARTS

PY1001449-01 OPTIONS

ASSEMBLY

CLICK HERE TO **DOWNLOAD** THE COMPLETE MANUAL

- Thank you very much for reading the preview of the manual.
- You can download the complete manual from: www.heydownloads.com by clicking the link below



- Please note: If there is no response to CLICKING the link, please download this PDF first and then click on it.

CLICK HERE TO **DOWNLOAD** THE COMPLETE MANUAL

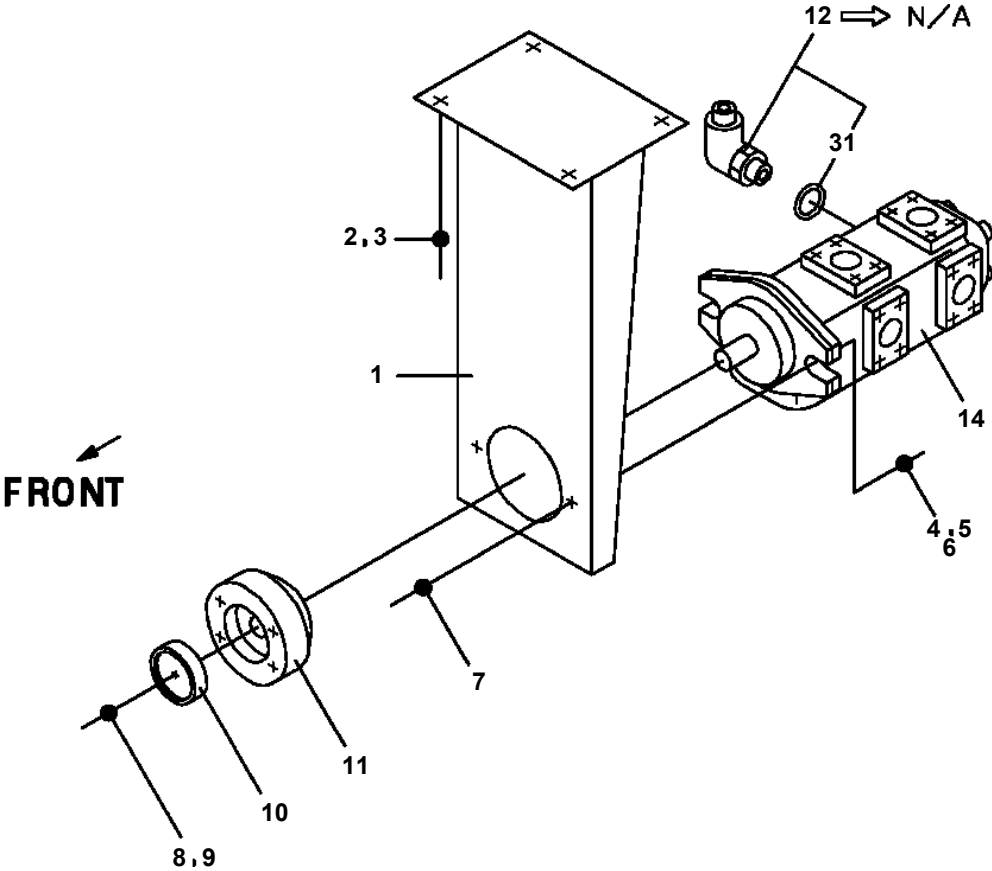
DT-720-1-41600 LOWER,ISUZU PKG-FRR90S1-JAYN-M

Pos No.	Parts No	Parts Name	Qty	Unit	Technical Data	Serial No (Start)	Se
1	(*****)	MOUNT ASSY,TAIL LAMP	1				
2	(*****)	POWER SUPPLY ASSY	1				
3	(*****)	ELEC.ASSY (WITH BOOM RETRACTION DETECTOR)	1				

DT-720-1-41600 LOWER,ISUZU PKG-FRR90S1-JAYN-M

PK1120178-02 SWING TABLE
PK1120209-00 SWING TABLE
PK1150026-01 SEAT,OPERATOR
PL1010961-00 OPE.ASSY,CONT.VALVE
PL1030051-03 OPE.ASSY,ACCELERATOR (
PL1030286-00 OPE.ASSY,ACCELERATOR (OPTION,OIL)
PL1031120-01 OPE.ASSY,ACCELERATOR (ENGINE)
PL1070023-02 OPE.ASSY,ENGINE STOP
PM5150014-00 MODIFICATION ASSY
PN1010869-01 ELEC.ASSY (OP.,OIL COOLER
PN1013598-04 ELEC.ASSY (WITH BOOM RETRACTION DETECTOR)
PN1060137-03 SWITCH PANEL
PN1100019-01 RELAY BOX
PN1350032-02 REEL,CORD
PN1350070-02 REEL,CORD
PN1350111-02 REEL,CORD
PN5010027-00 NAME PLATE ASSY (CRANE)
PN5010028-00 NAME PLATE ASSY (OIL)
PN5010818-00 NAME PLATE ASSY (VEHICLE)
PP5330011-01 POWER SUPPLY ASSY
PP5460001-01 PULLER ASSY
PR5050008-00 REEL ASSY,CORD
PR5050015-00 REEL ASSY,CORD
PR5050034-00 REEL ASSY,CORD
PR5090120-00 RELAY ASSY
PR5100032-00 RELAY BOX ASSY
PR5100098-00 RELAY BOX ASSY
PS5050006-01 SEAT ASSY
PS5050009-00 SEAT ASSY
PS5380006-00 STOPPER
PS5530239-01 SWITCH ASSY
PV5040006-00 VALVE ASSY,CHECK
PW1010334-04 ACCESSORIES
PW1030013-01 TOOLS
PW1050011-00 STOPPER,TIRE
PW1100000-00 CHAIN
PX1100102-01 TANK SUPPORT INSTALLATION
PX1120127-00 BOOM REST INSTALLATION
PX1270021-02 WOOD BLOCK INSTALLATION
PX1350415-01 BOX,TOOL
PX1540016-01 WEDGE INSTALLATION
PX1940030-01 MOUNT(FRAME)
PX5010154-01 MOUNT ASSY
PX5280004-00 MOUNT ASSY,DECK
PX5360072-00 MOUNT ASSY,FRAME
PX5620012-00 MOUNT ASSY,REFLECTOR
PX5650003-00 MOUNT ASSY,SIDE GUARD
PX5740002-00 MOUNT ASSY,TAIL LAMP
PX5750004-02 MOUNT ASSY,TANK (WATER)
PX5780012-00 MOUNT ASSY,TOOL BOX
PY1180302-07 LAMP (FLICKER)
PY1230009-01 OIL COOLER INSTALLATION (HYDRAULIC)
PY1300002-04 COOLER,OIL (MOUNT)
PY1300003-00 COOLER,OIL
PY1560009-00 ALARM SYSTEM (OVERRUN/OVER FRONT AREA)
PY1600003-04 CYLINDER,POLE PULLER
PY1650088-01 EARTHING DEVICE
PY1840001-04 BREAKER (BR37)
PY1840002-04 BREAKER (BR45)
PY1840003-03 BREAKER (BR67)
PY1910011-00 HOSE
PY1920000-00 CHAIN SAW (STANLEY)
PY2360004-01 PUMP,WATER (MOUNT)
PZ0000000-00 HARNESS

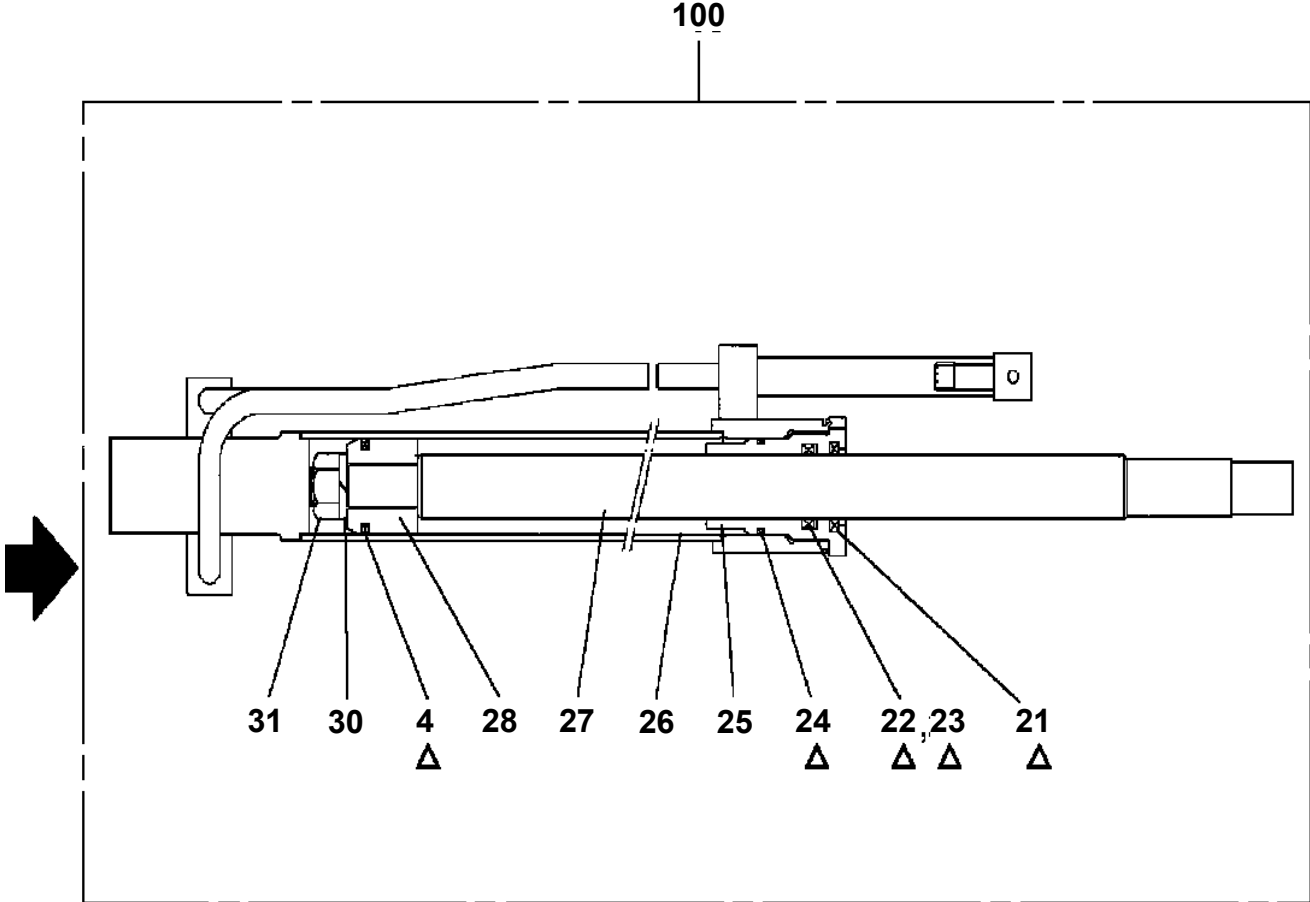
**DT-720-1-41600 LOWER,ISUZU PKG-FRR90S1-JAYN-M
PB1100258-01 PUMP,HYDRAULIC (MOUNT)**



DT-720-1-41600 LOWER,ISUZU PKG-FRR90S1-JAYN-M

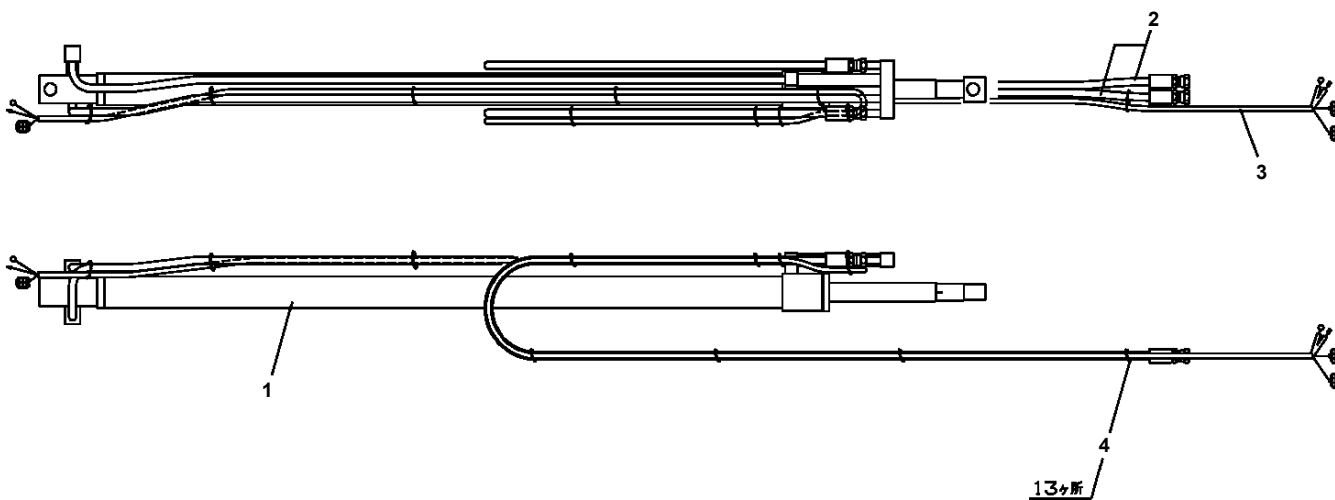
Pos No.	Parts No	Parts Name	Qty	Unit	Technical Data	Serial No (Start)	Serial No (End)	Remarks	Pages
1	80400160131	JOINT	1						
2	91002801800	O-RING	1		1B P18				
3	37002471830	HOSE	1		L=2500				
4	37000300780	SLEEVE	1		28-22		390539		
6	91002802400	O-RING	2		1B P24				
8	91810130240	FASTENER	1						
10	37000707670	CLAMP ASSY	1		D=30				
11	80430621200	JOINT	1						
13	82100002535	TUBE, SPIRAL	1	M	SE-29BK		390539		
	82100001412	TUBE, SPIRAL	1	M	SE-12BK	390540			
14	37002502620	HOSE	2		L=500				
15	91801300450	CLIP	8		D=40-45		390569		
	91803600500	CLIP	8		D=35-50	390570			
16	37000802680	FITTING, FLANGE	2						
17	91001203500	O-RING	2		1A G35				
18	90101210025	BOLT	8		M10X25				
19	90302041001	WASHER, SPRING	8		10				
22	37000912840	JOINT	1						
23	37002471910	HOSE	1		L=2350				
24	36622020000	VALVE, CHECK	1						
25	80430451250	JOINT	1				390613		
27	82100002015	CLAMP	1		WRC20				
28	90101208025	BOLT	1		M8X25				
29	90201200800	NUT	1		M8				
31	32640280010	JOINT	1			390614			
32	80430621200	JOINT	1			390614			
33	91002802400	O-RING	1		1B P24	390614			
41	91002802400	O-RING	1		1B P24				
	91002802400	O-RING	1		1B P24	390614			

**DT-720-1-41600 LOWER,ISUZU PKG-FRR90S1-JAYN-M
PC1050020-04 CYLINDER,EXTENSION (FRONT)**

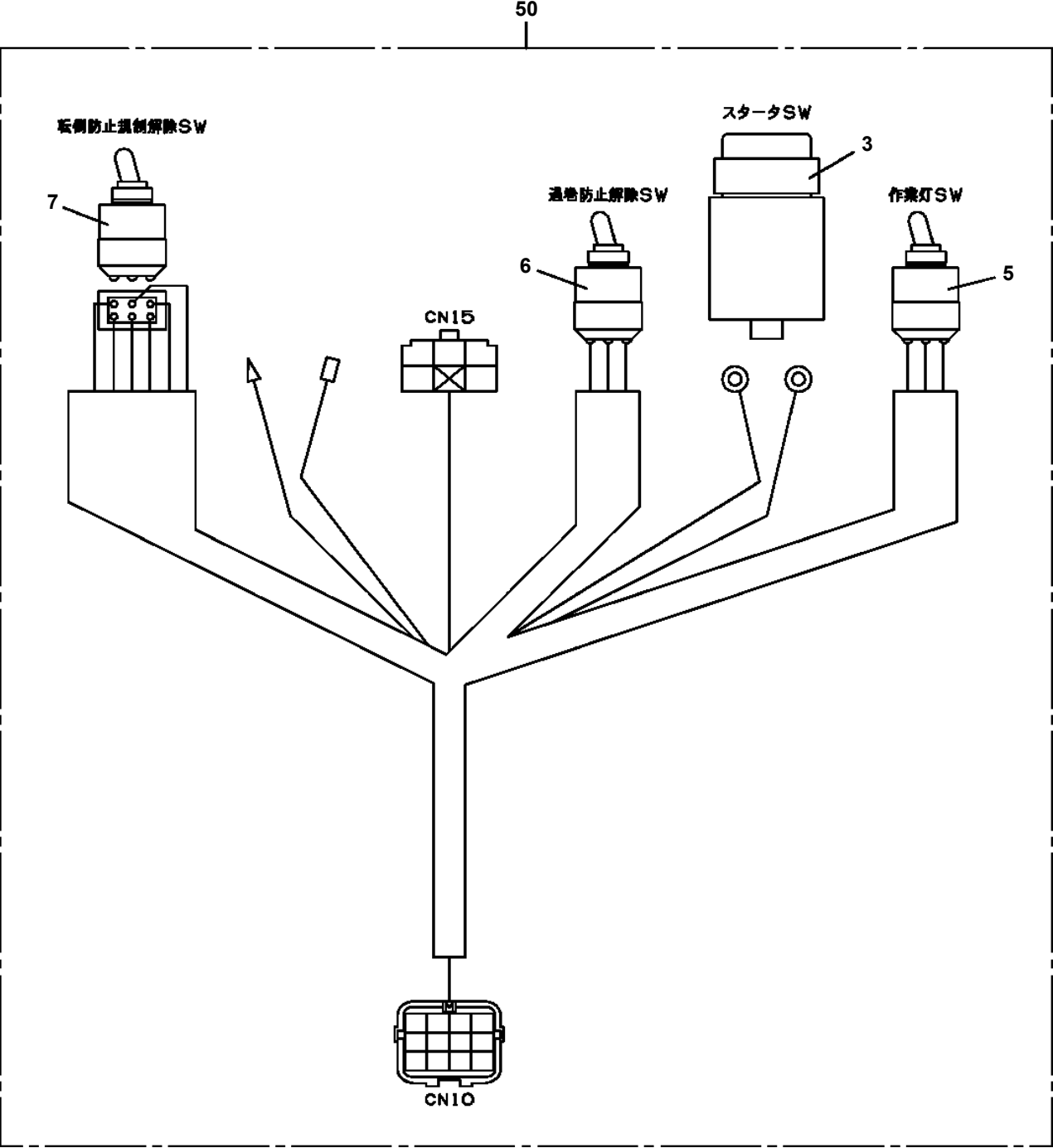


Δ : PACKING SET KEY NO.41 (NO.4,21,22,23,24)

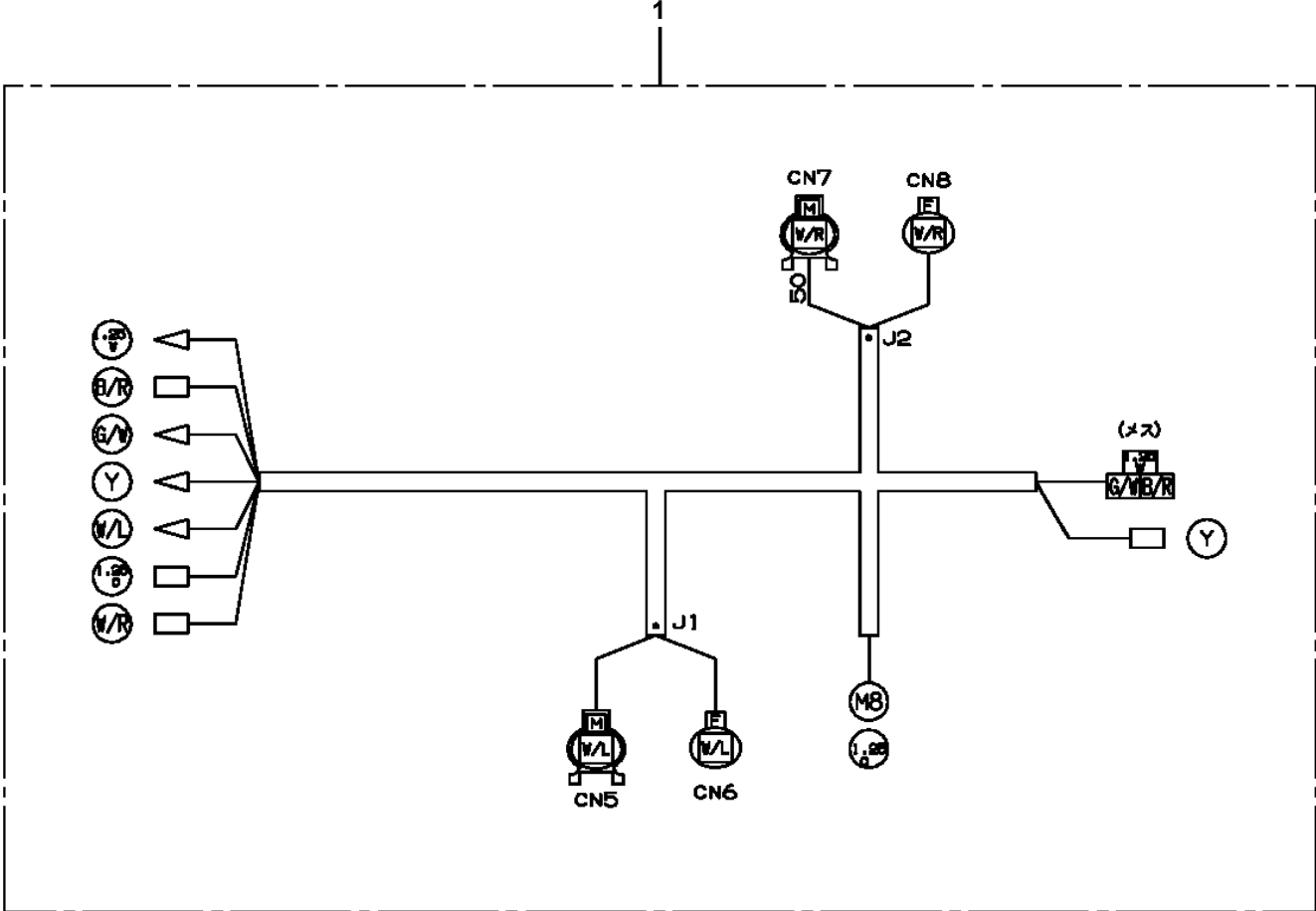
DT-720-1-41600 LOWER,ISUZU PKG-FRR90S1-JAYN-M
PC6010031-00 CYLINDER ASSY (SLIDE)



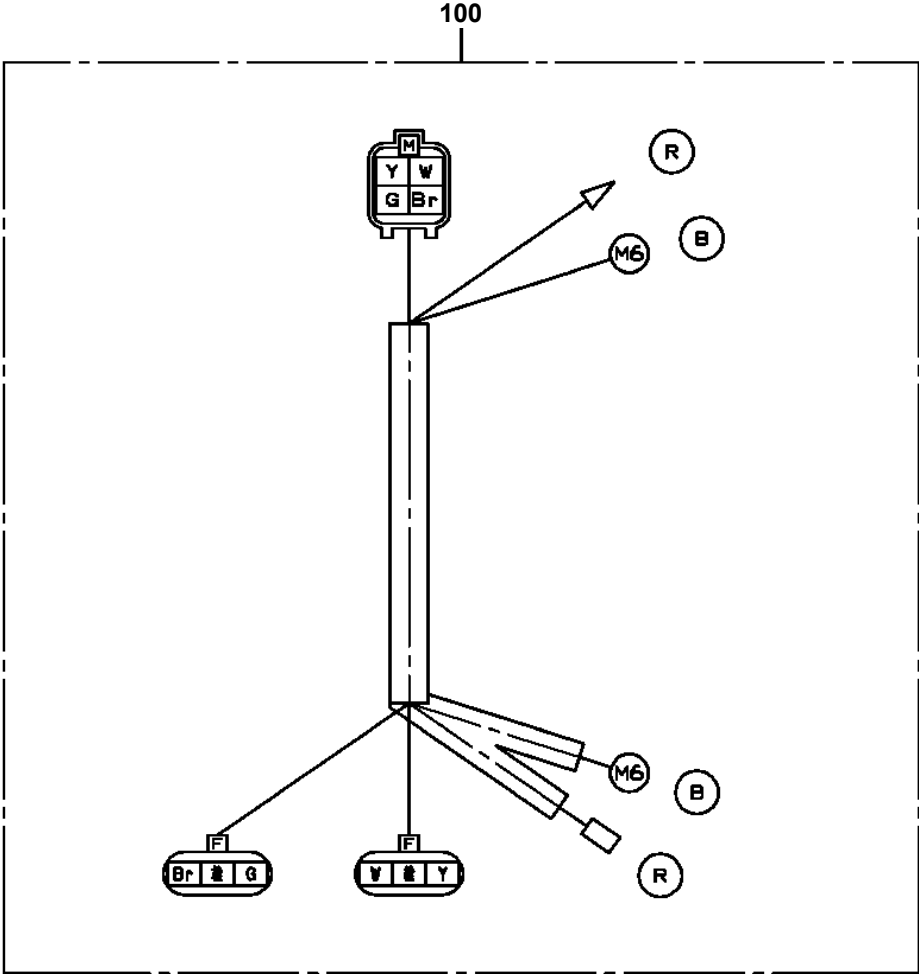
DT-720-1-41600 LOWER,ISUZU PKG-FRR90S1-JAYN-M
PH5030038-00 HARNESS



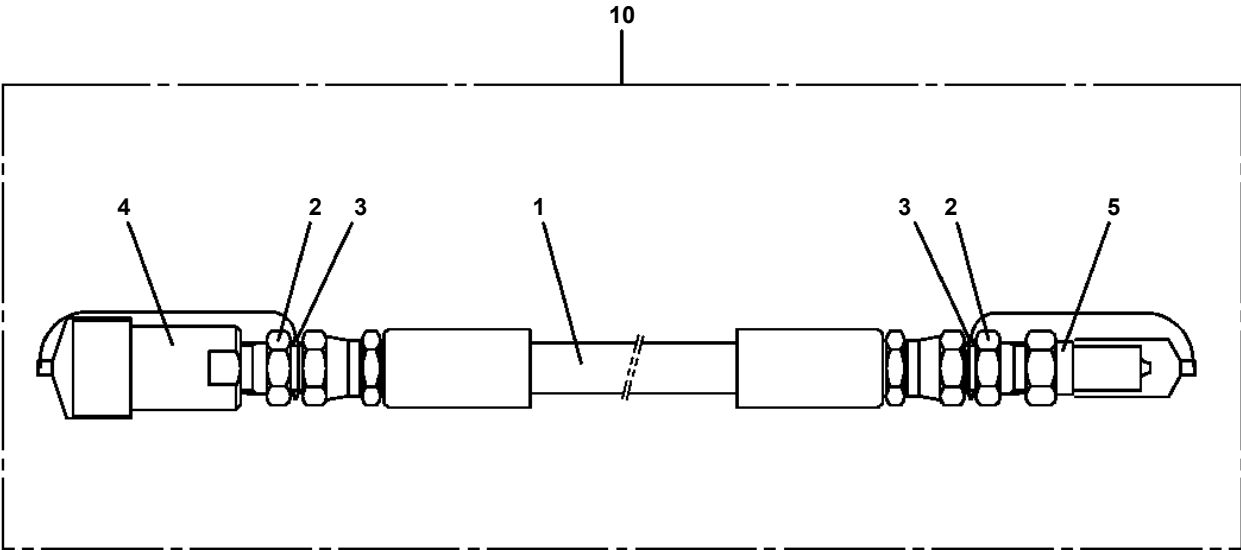
DT-720-1-41600 LOWER,ISUZU PKG-FRR90S1-JAYN-M
PH5030544-00 HARNESS (OUTSIDE CAB)



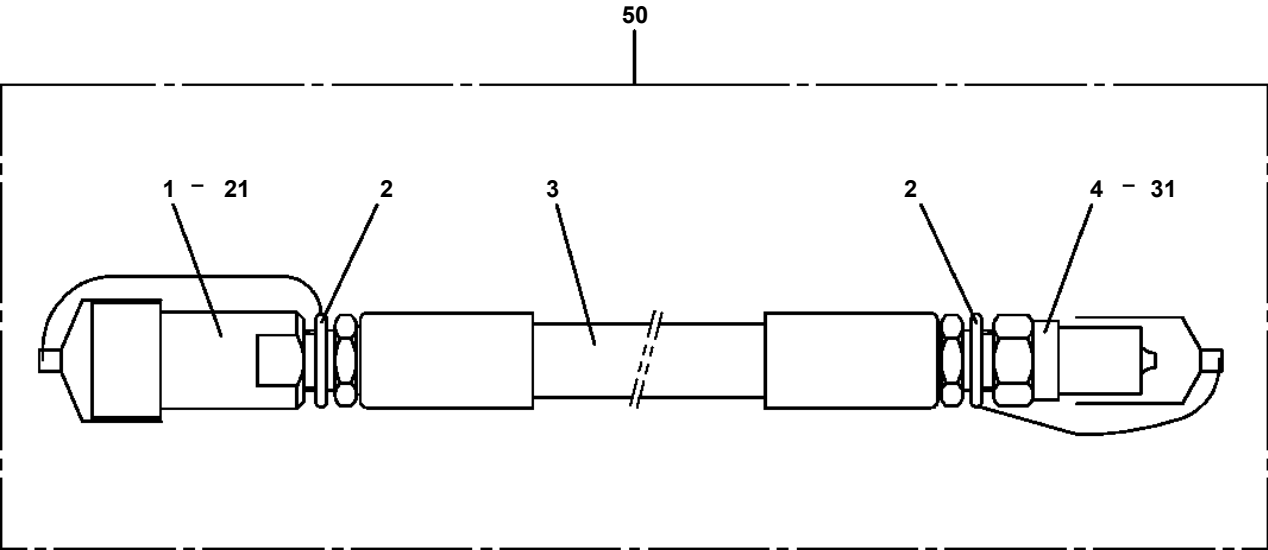
DT-720-1-41600 LOWER,ISUZU PKG-FRR90S1-JAYN-M
PH5032970-00 HARNESS



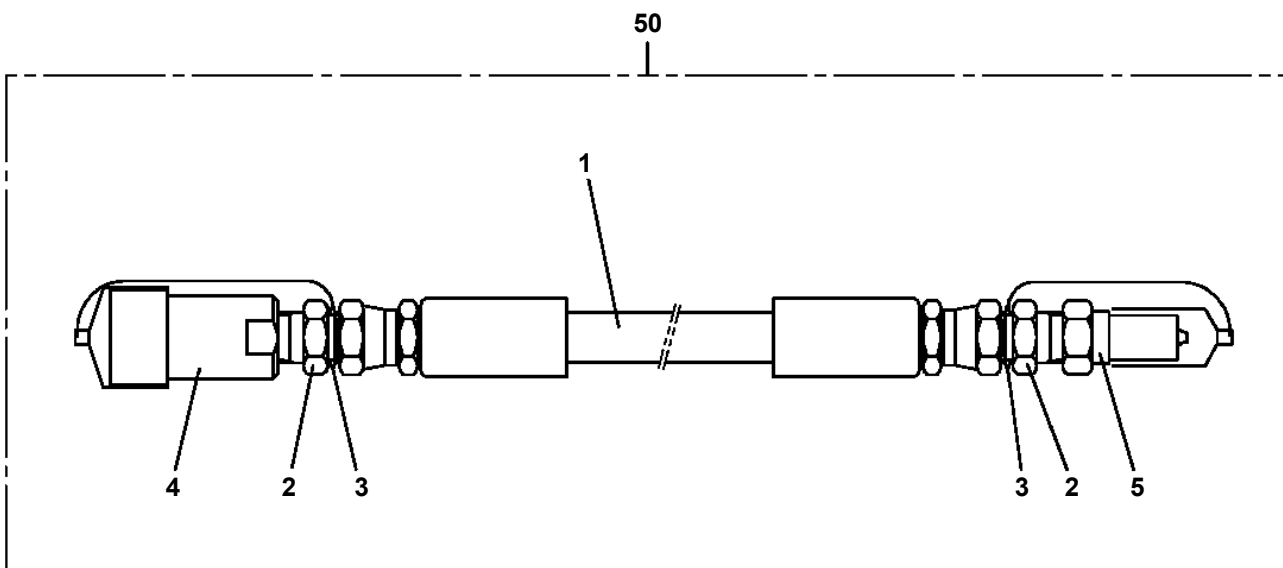
**DT-720-1-41600 LOWER,ISUZU PKG-FRR90S1-JAYN-M
PH5100014-00 HOSE ASSY (FOR TANK)**



**DT-720-1-41600 LOWER,ISUZU PKG-FRR90S1-JAYN-M
PH5100021-00 HOSE ASSY (FOR BRAKER HIGHT PRESSURE)**



**DT-720-1-41600 LOWER,ISUZU PKG-FRR90S1-JAYN-M
PH5100031-00 HOSE ASSY (FOR TANK)**



CLICK HERE TO **DOWNLOAD** THE COMPLETE MANUAL

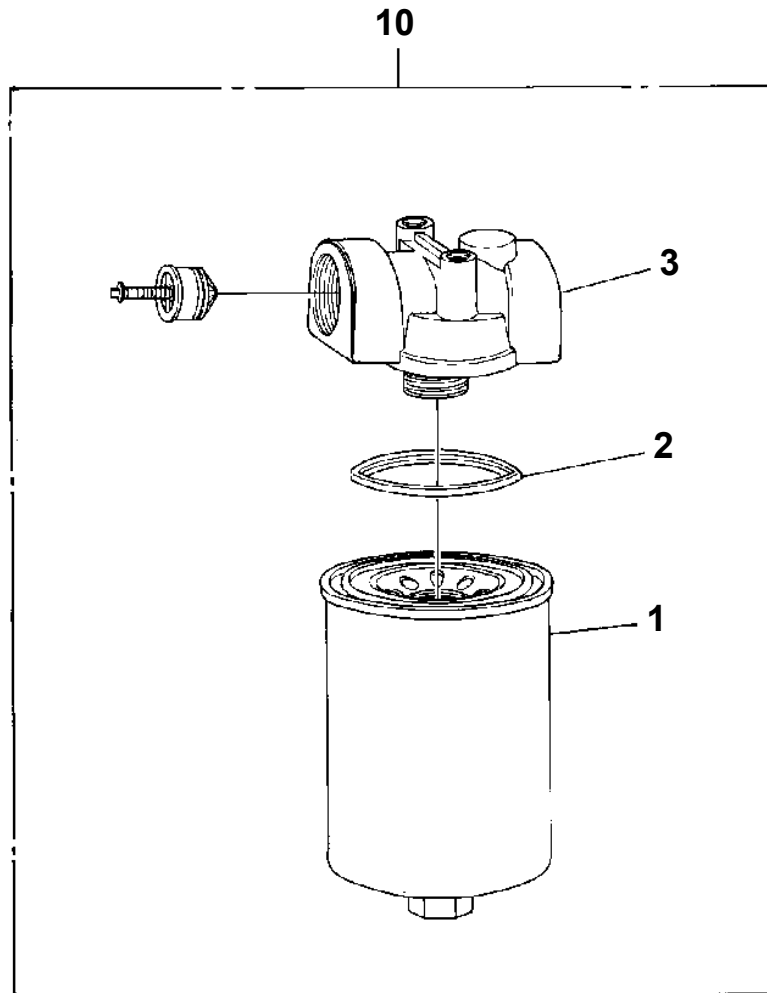
- Thank you very much for reading the preview of the manual.
- You can download the complete manual from: www.heydownloads.com by clicking the link below



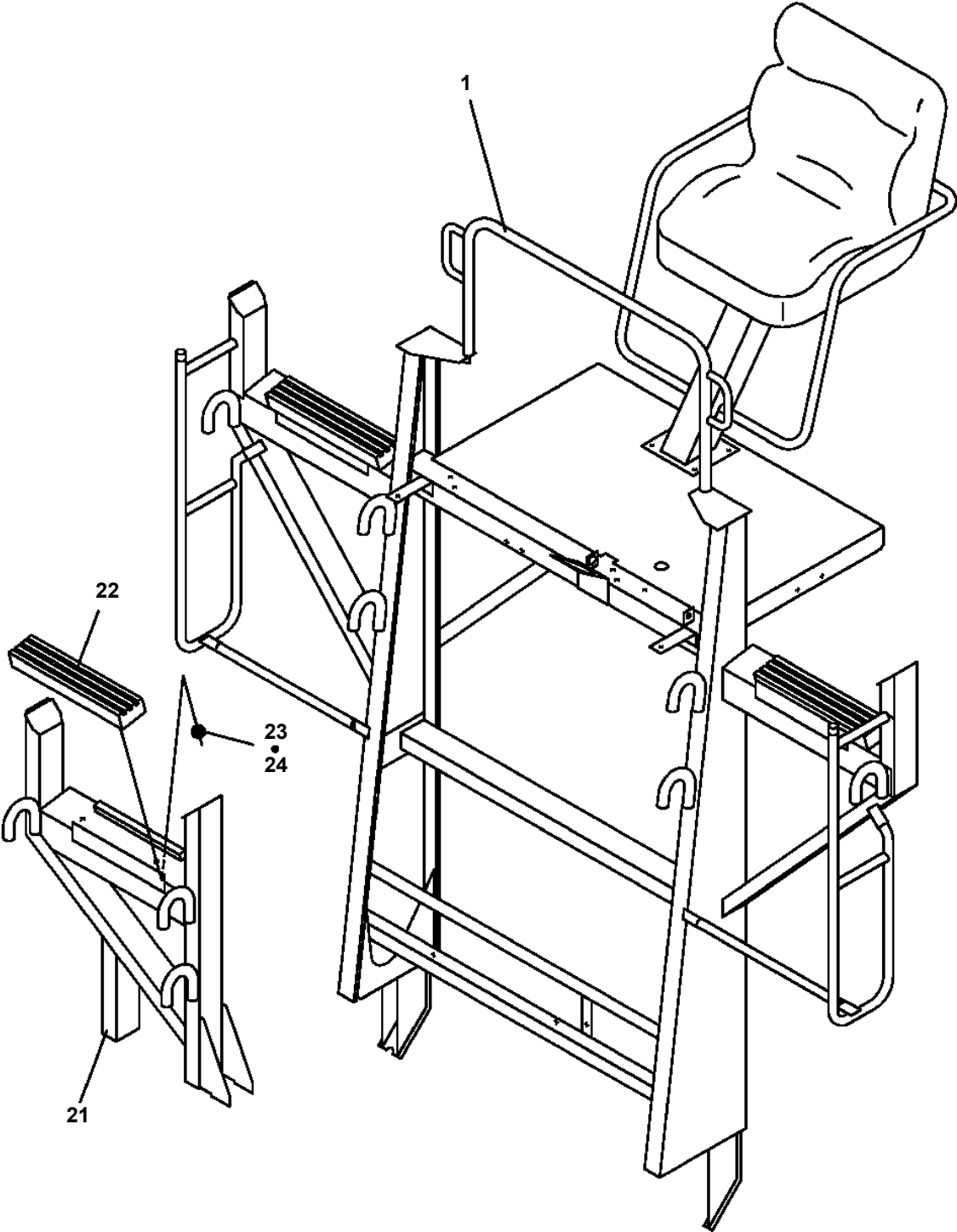
- Please note: If there is no response to CLICKING the link, please download this PDF first and then click on it.

CLICK HERE TO **DOWNLOAD** THE COMPLETE MANUAL

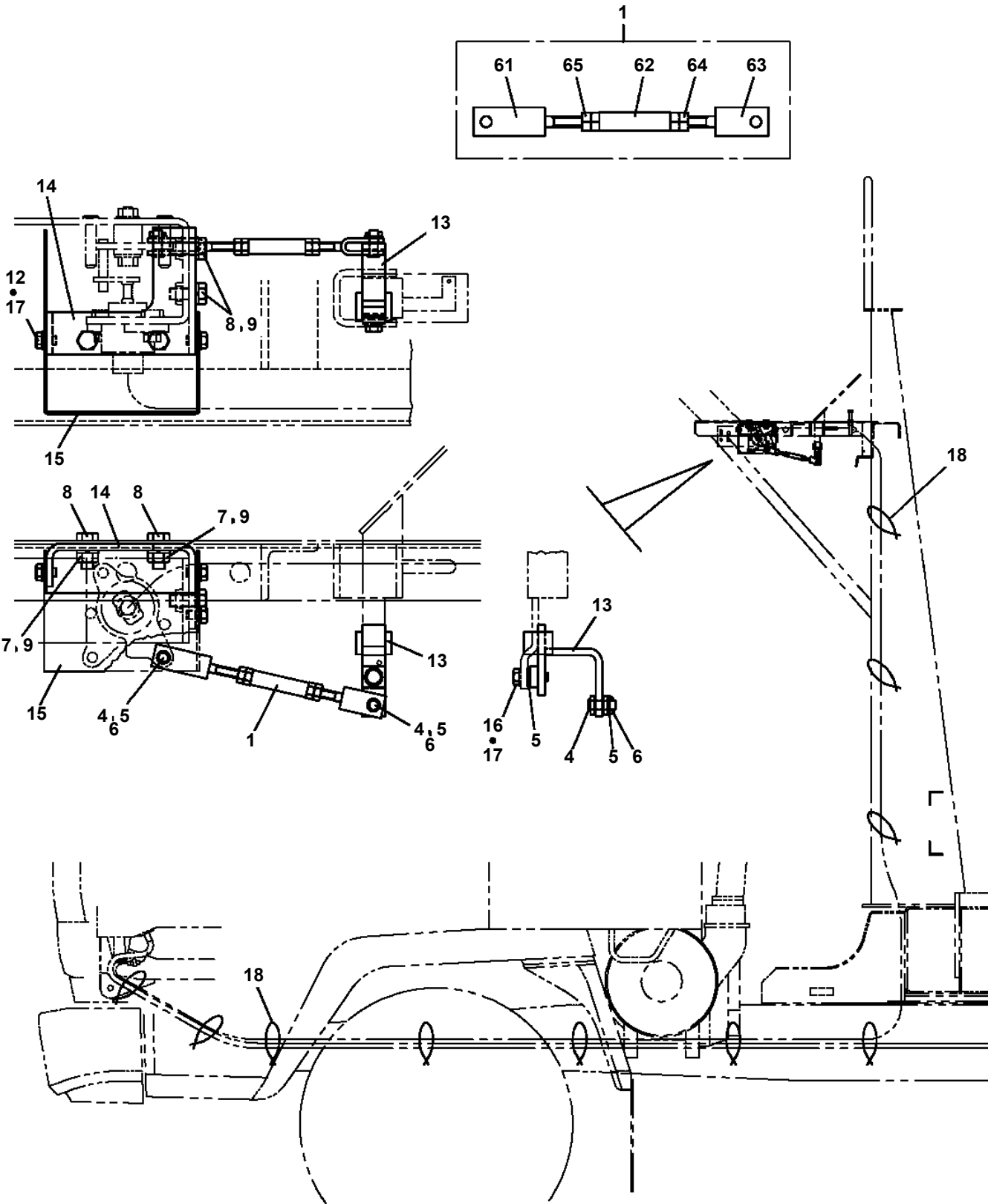
DT-720-1-41600 LOWER,ISUZU PKG-FRR90S1-JAYN-M
PI1300006-00 FILTER,OIL



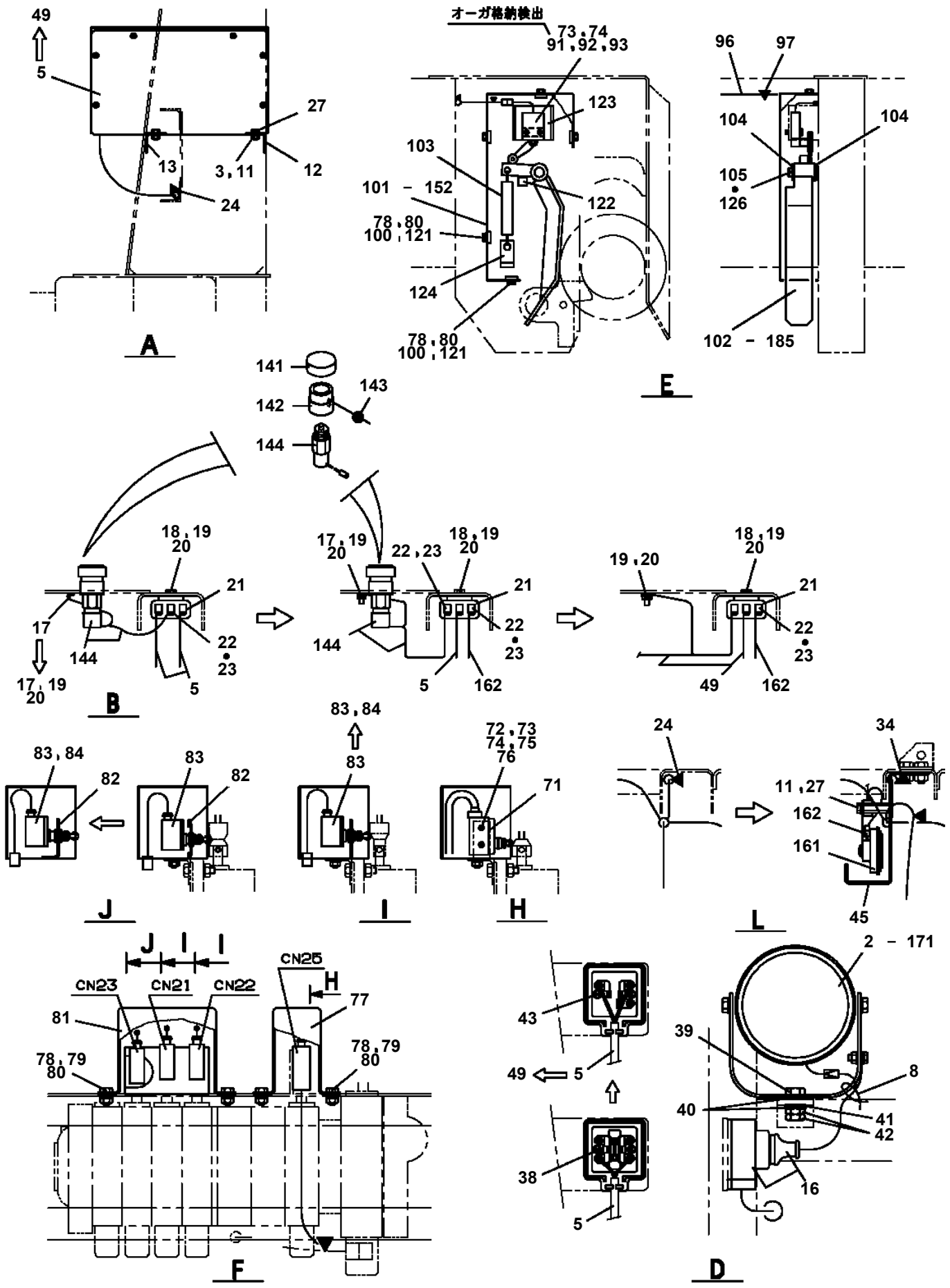
**DT-720-1-41600 LOWER,ISUZU PKG-FRR90S1-JAYN-M
PK1120209-00 SWING TABLE**



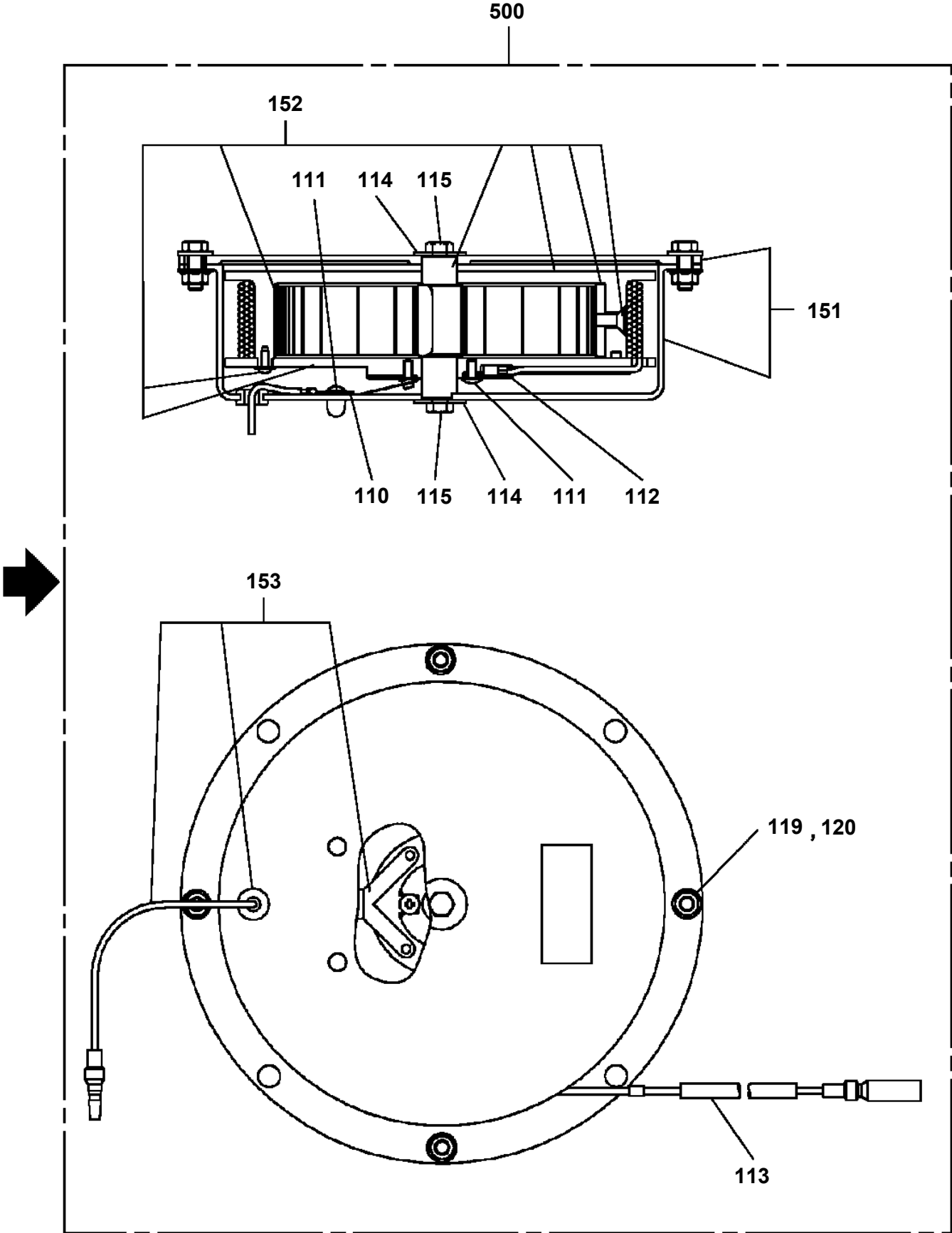
DT-720-1-41600 LOWER,ISUZU PKG-FRR90S1-JAYN-M
PL1031120-01 OPE.ASSY,ACCELERATOR (ENGINE)



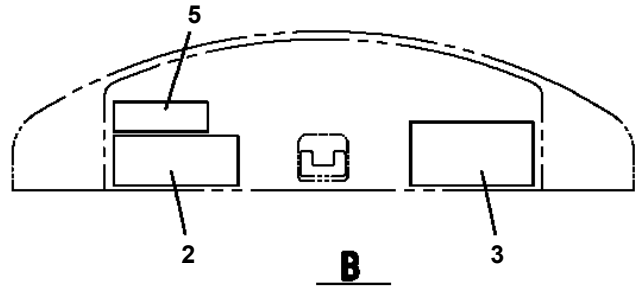
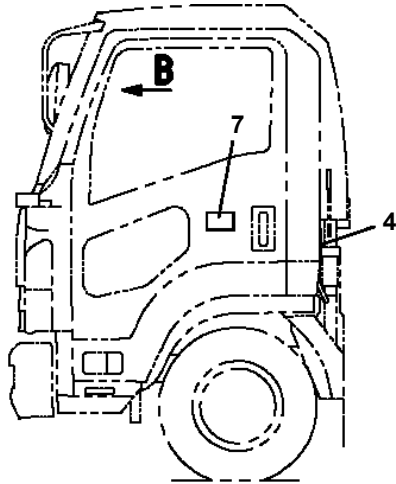
**DT-720-1-41600 LOWER, ISUZU PKG-FRR90S1-JAYN-M
PN1013598-04 ELEC. ASSY (WITH BOOM RETRACTION DETECTOR)**



DT-720-1-41600 LOWER,ISUZU PKG-FRR90S1-JAYN-M
PN1350070-02 REEL,CORD



DT-720-1-41600 LOWER, ISUZU PKG-FRR90S1-JAYN-M
 PN5010818-00 NAME PLATE ASSY (VEHICLE)



B
 運転席上コンソールボックス

1
最大積載量 350kg
 (水タンク積載量 100kgを含む)

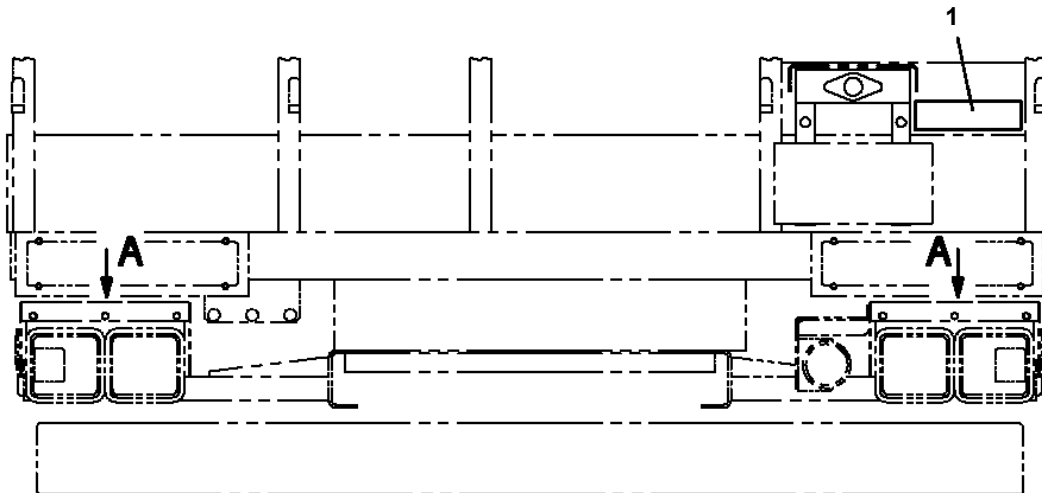
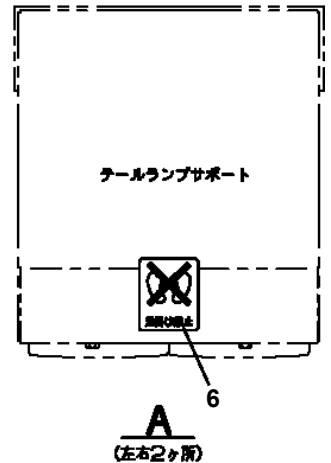
3
△警告
 ○作業時にはパーキングブレーキを引いてください
 ○作業時にはシフトレバーを下段にしてください
 ・マニュアル車は「N」中立
 ・オートマチック車は「P」パーキング
 ○作業終了時にはPTOを落してください

4

タイヤ空気圧 / kPa (psi)	車種	後輪	前輪
190/70R15	11.5t	220	220
200/70R15	11.5t	220	220
200/70R16	11.5t	220	220
210/70R16	11.5t	220	220
210/70R17	11.5t	220	220
220/70R16	11.5t	220	220
220/70R17	11.5t	220	220
220/70R18	11.5t	220	220
220/70R19	11.5t	220	220
220/70R20	11.5t	220	220
7.00-16-10PR		220	220
7.50-16-10PR		220	220
7.50-16-12PR		220	220
7.50-16-14PR		220	220
7.50R16-10PR		220	220
7.50R16-14PR		220	220

7

タイヤ空気圧 / kPa (psi)	車種	後輪	前輪
190/70R15	11.5t	220	220
200/70R15	11.5t	220	220
200/70R16	11.5t	220	220
210/70R16	11.5t	220	220
210/70R17	11.5t	220	220
220/70R16	11.5t	220	220
220/70R17	11.5t	220	220
220/70R18	11.5t	220	220
220/70R19	11.5t	220	220
220/70R20	11.5t	220	220
7.00-16-10PR		220	220
7.50-16-10PR		220	220
7.50-16-12PR		220	220
7.50-16-14PR		220	220
7.50R16-10PR		220	220
7.50R16-14PR		220	220



リヤポールサポート

DT-720-1-41600 LOWER,ISUZU PKG-FRR90S1-JAYN-M

Pos No.	Parts No	Parts Name	Qty	Unit	Technical Data	Serial No (Start)	Serial No (End)	Remarks	Page
1	36161705010	CASE	1						
2	36132015010	PLATE (BASE)	1						
3	36161705020	PACKING	1						
4	36161715010	SPRING ASSY	1						
5	32360005050	RING,SLIP	1						
6	32360005060	CONTACTOR ASSY	1						
7	31370005070	GROMMET	1						
8	31370005080	GUIDE (CORD)	1						
10	36160935030	WASHER	2						
22	36160325010	COLLAR	1						
24	36131745090	CORD	10	M					
100	36161790000	REEL ASSY,CORD	1						

DT-720-1-41600 LOWER,ISUZU PKG-FRR90S1-JAYN-M

Pos No.	Parts No	Parts Name	Qty	Unit	Technical Data	Serial No (Start)	Serial No (End)	Remarks	Pages
1	32620527510	SEAT	1						
2	32620527520	ADJUSTER (SEAT)	1						
3	32620527530	ADJUSTER (SEAT)	1						
4	32620527540	BOLT	4		M8X20				
100	32620521000	SEAT ASSY	1						

DT-720-1-41600 LOWER,ISUZU PKG-FRR90S1-JAYN-M

Pos No.	Parts No	Parts Name	Qty	Unit	Technical Data	Serial No (Start)	Serial No (End)
5	32732060001	HOSE ASSY (FOR LOW PRESSURE)	1		3.6M		390677
	32732060002	HOSE ASSY (FOR LOW PRESSURE)	1		10M	390678	
6	32732070001	HOSE ASSY (FOR TANK)	1		3.6M		390677
	32732070002	HOSE ASSY (FOR TANK)	1		10M	390678	
7	37004100040	PUMP,GREASE (DOMESTIC)	1				
21	80456020810	JOINT,SELF SEALING	1				
22	80306030060	JOINT,NIPPLE	1				
23	80456560800	JOINT,SELF SEALING (WITH DUST PLUG)	1				
31	80456010610	JOINT,SELF SEALING	1				
32	80306040060	JOINT	1				
33	80456580800	JOINT,SELF SEALING	1				
71	91071011500	O-RING	1		Y22550-115-A		

DT-720-1-41600 LOWER,ISUZU PKG-FRR90S1-JAYN-M

Pos No.	Parts No	Parts Name	Qty	Unit	Technical Data	Serial No (Start)	Serial No (End)	Remarks	Pages
1	32810660010	COVER	2						
2	37000531990	PLATE	2						
3	90101512020	BOLT	8		M12X20				
4	90302041201	WASHER,SPRING	8		12				
5	37000531960	PLATE	2						
6	32810660020	SUPPORT	1						
7	37000531950	PLATE	2						
8	37000531980	PLATE	1						
9	37000528990	PLATE	1		T=3				
10	37000534380	PLATE	1						
21	32810668010	COVER ASSY	1						
22	32810668020	COVER ASSY	1						

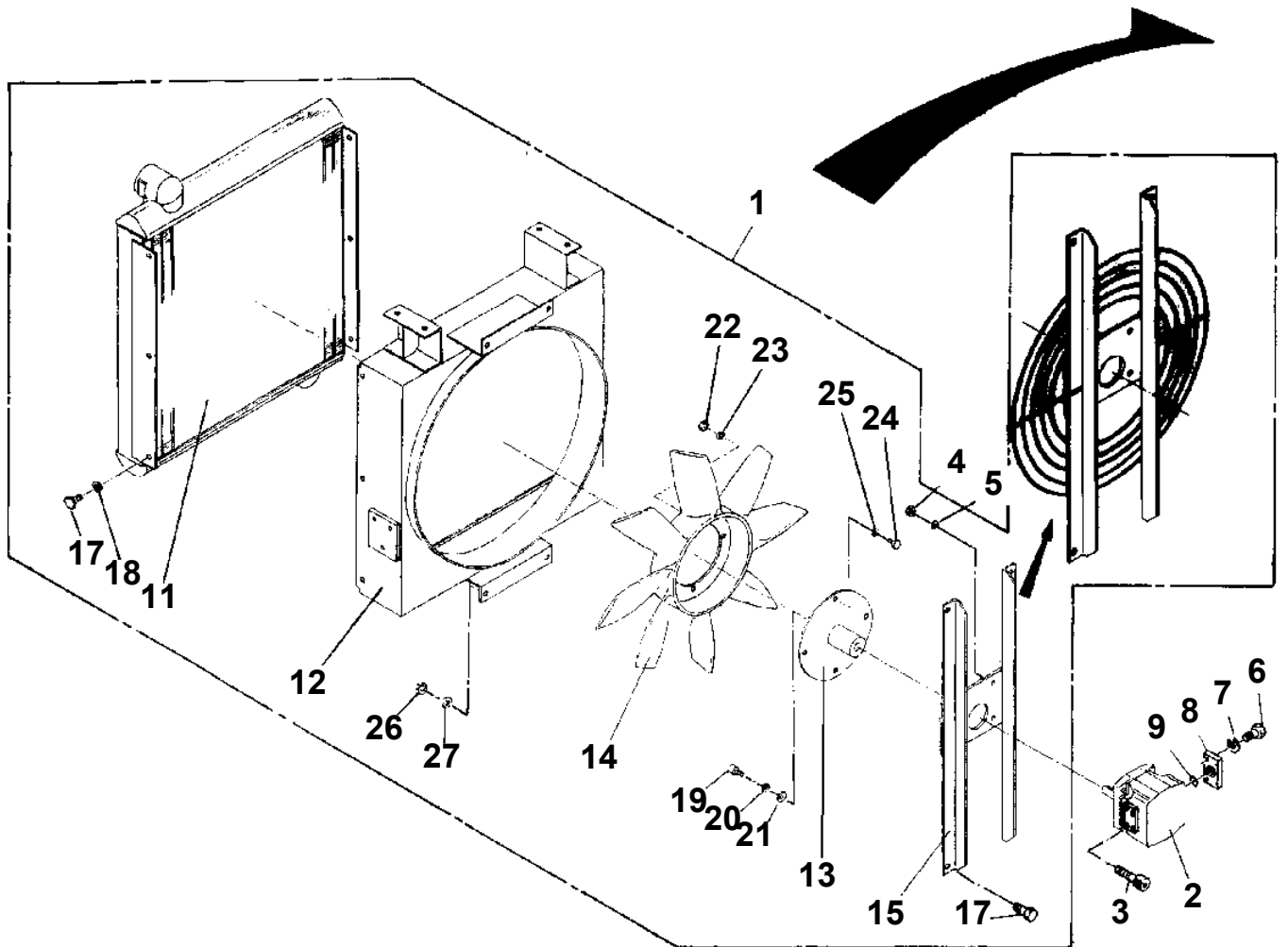
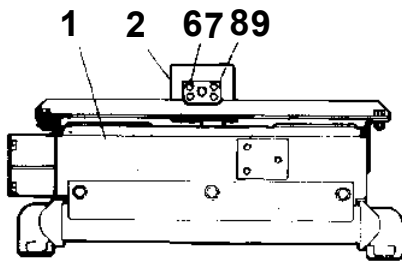
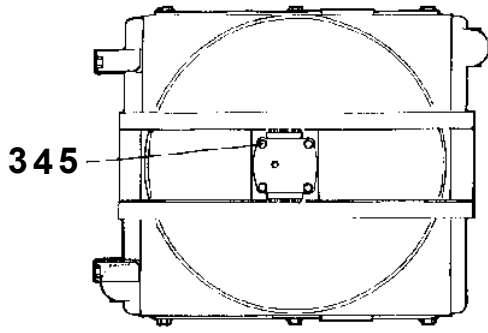
DT-720-1-41600 LOWER,ISUZU PKG-FRR90S1-JAYN-M

Pos No.	Parts No	Parts Name	Qty	Unit	Technical Data	Serial No (Start)	Serial No (End)	Remarks	Pages
1	42500410600	BELT	2						
2	90101208014	BOLT	8		M8X14				
3	90302040801	WASHER,SPRING	8		8				
4	90303070801	WASHER,PLAIN	8		8				
5	37000575750	PLATE	8		T=9.0				

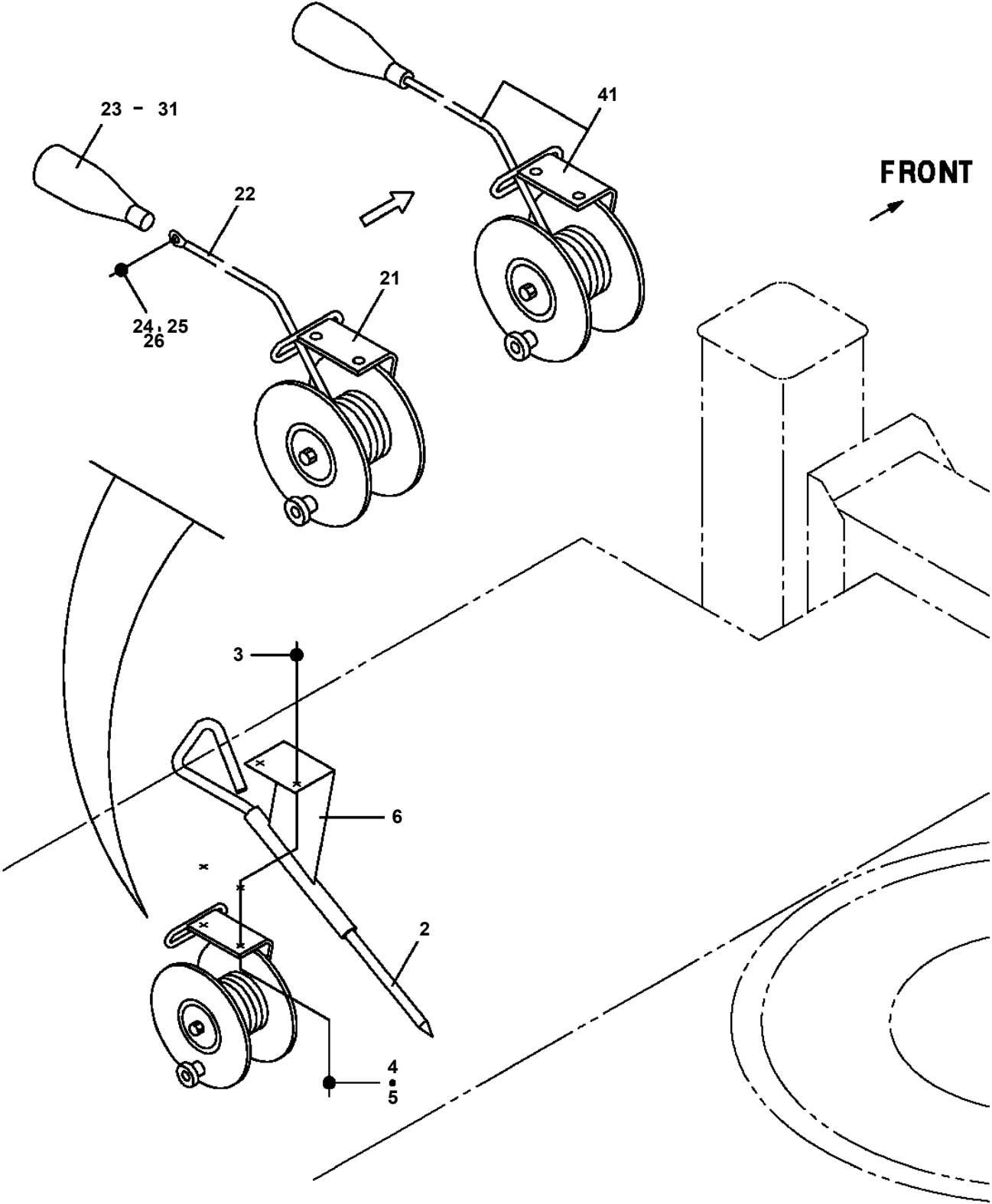
DT-720-1-41600 LOWER,ISUZU PKG-FRR90S1-JAYN-M

Pos No.	Parts No	Parts Name	Qty	Unit	Technical Data	Serial No (Start)	Serial No (End)	Remarks	Pag
1	32650480020	SUPPORT	1						
2	90190208025	BOLT	14		M8X25				
3	90201500800	NUT	14		M8				
4	90302510801	WASHER,SPRING (8)	14						
5	90303520801	WASHER,PLAIN	6		8				
7	32732443100	SUPPORT	1						
8	32732443200	SUPPORT	1						
10	91850400601	CLAMP	10						
11	91810130240	FASTENER	14						
12	82100000711	CLAMP	2						
13	80172805016	SCREW,MACHINE	4		M5X16				
14	90201500500	NUT	4		M5				
15	90302510501	WASHER,SPRING	4		5				
16	90303521001	WASHER,PLAIN	2		10				
17	90190210025	BOLT	2		M10X25				
18	90201501000	NUT	2		M10				
19	90302511001	WASHER,SPRING	2		10				

DT-720-1-41600 LOWER,ISUZU PKG-FRR90S1-JAYN-M
PY1300002-04 COOLER,OIL (MOUNT)



**DT-720-1-41600 LOWER,ISUZU PKG-FRR90S1-JAYN-M
PY1650088-01 EARTHING DEVICE**



CLICK HERE TO **DOWNLOAD** THE COMPLETE MANUAL

- Thank you very much for reading the preview of the manual.
- You can download the complete manual from: www.heydownloads.com by clicking the link below



- Please note: If there is no response to CLICKING the link, please download this PDF first and then click on it.

CLICK HERE TO **DOWNLOAD** THE COMPLETE MANUAL