

AT-146-2 42095200060 UPPER

PB3000052-00 POWER UNIT
PD2000078-00 SWING UNIT
PF1000489-01 WINCH SYSTEM
PG2000086-01 BOOM UNIT
PH1000463-01 SAFETY DEVICES (MOTION CONTROLLER)
PJ3000367-00 BUCKET SYSTEM
PJ5000003-00 BOOSTER UNIT
PK2000466-00 FRAME UNIT
PO1000127-01 INDICATION PLATES
PW1000109-01 ACCESSORIES & TOOLS
PX1000839-00 MOUNTING PARTS
PY1000748-11 OPTIONS,1
PY2000059-06 OPTIONS,2
ASSEMBLY

CLICK HERE TO **DOWNLOAD** THE COMPLETE MANUAL

- Thank you very much for reading the preview of the manual.
- You can download the complete manual from: www.heydownloads.com by clicking the link below



- Please note: If there is no response to CLICKING the link, please download this PDF first and then click on it.

CLICK HERE TO **DOWNLOAD** THE COMPLETE MANUAL

AT-146-2 42095200060 UPPER

Pos No.	Parts No	Parts Name	Qty	Unit	Technical Data	Serial No (Start)	Serial No (End)	Remarks
1	36191070001	MOTION CONTROLLER (AMC)	1					

AT-146-2 42095200060 UPPER

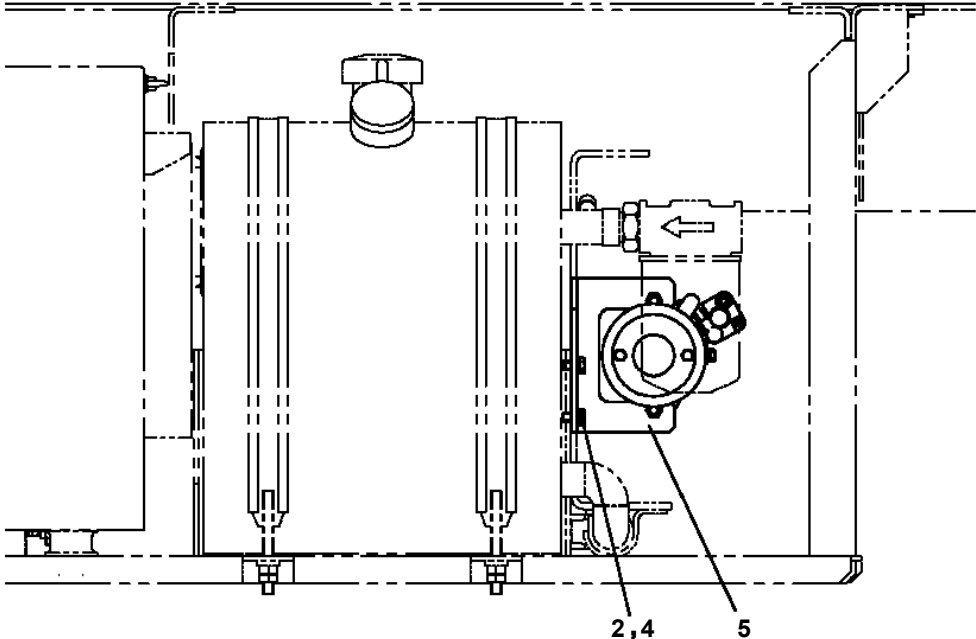
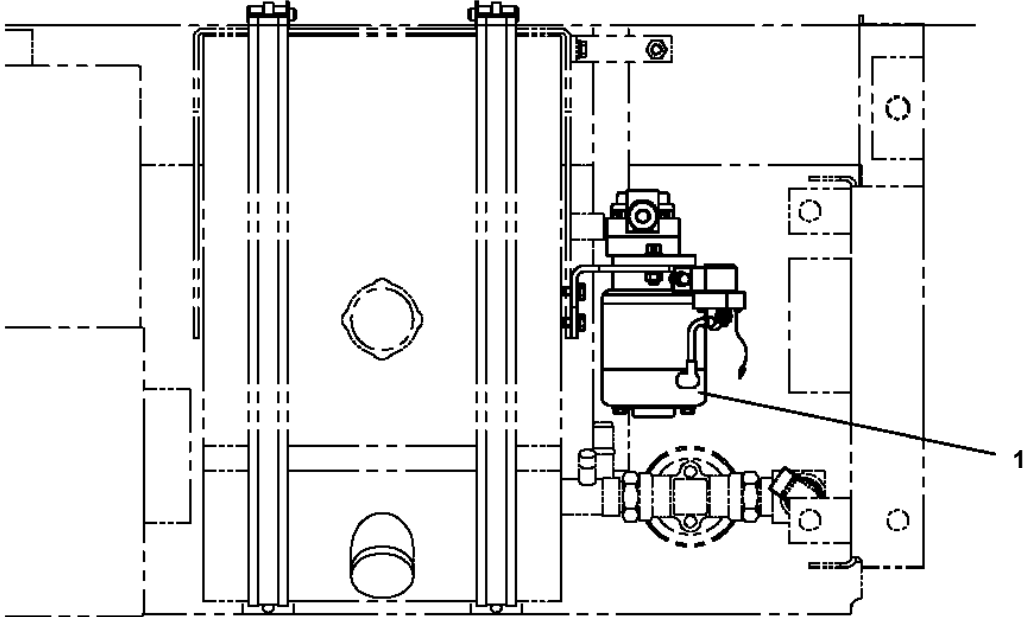
Pos No.	Parts No	Parts Name	Qty	Unit	Technical Data	Serial No (Start)	Serial No (End)	Remarks	Pages
1	(*****)	ACCESSORIES	1						000278

AT-146-2 42095200060 UPPER

Pos No.	Parts No	Parts Name	Qty	Unit	Technical Data	Se
30	42731680000	WOOD BLOCK (WITH RUBBER,T=80)	1			
	42738400000	WOOD BLOCK (WITH RUBBER,T=100)	1			
31	(*****)	EARTHING DEVICE	1			
33	42475965000	COVER,WINCH (GRAY,FOR KANDENKO)	1			
34	(*****)	MOUNT,LAMP (BUCKET,FOR NTT,OPTION)	1			
35	(*****)	WOOD BLOCK	1			
	42738221000	WOOD BLOCK (KANSAI DENRYOKU/DETACHABLE)	1			
36	(*****)	CABLE	1			
37	(*****)	SUPPORT (WINCH JIB,OPTION)	1			
38	(*****)	SUPPORT (WINCH JIB,FOR HOKURIKUDENKOU)	1			
39	42501650000	STEP,BUCKET	1			
40	(*****)	WINCH,JIB (FRP/INTEGRATED SUPPORT,GRAY)	1			
41	42510290000	CABLE ASSY (PC CONNECTION CABLE)	1			

**AT-146-2 42095200060 UPPER
PB1100259-00 PUMP, HYDRAULIC (EMERGENCY, MOUNT)**

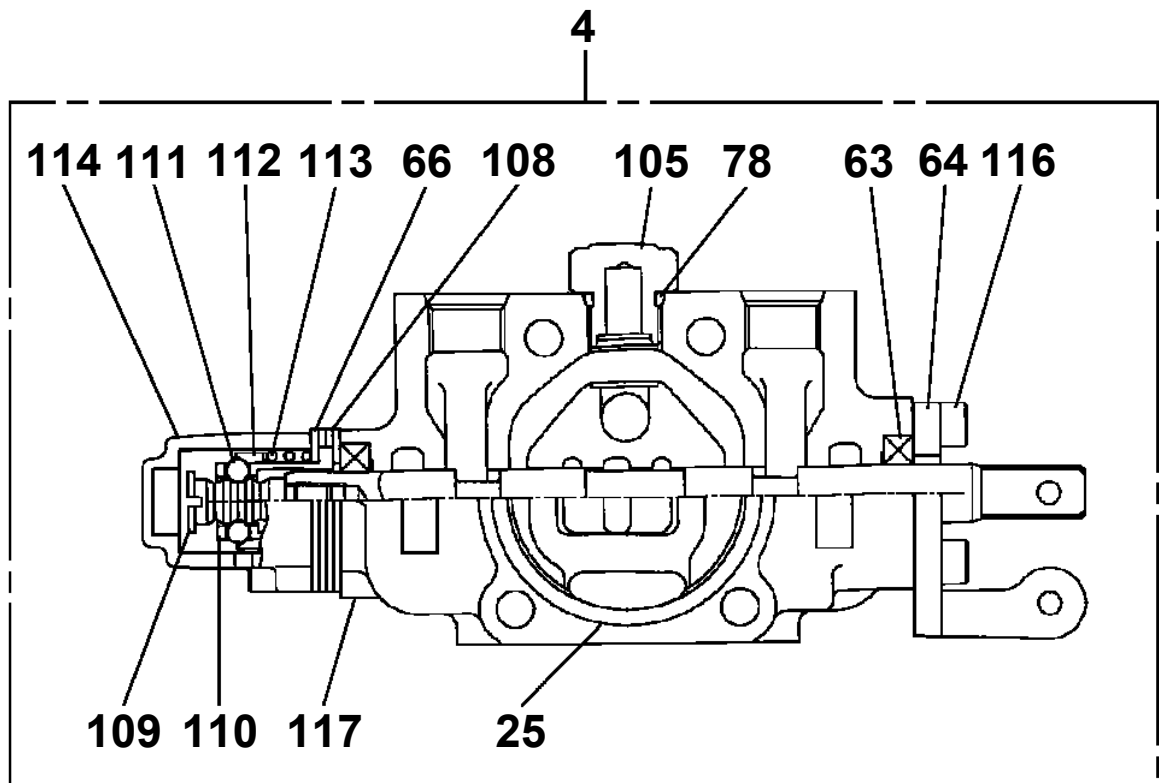
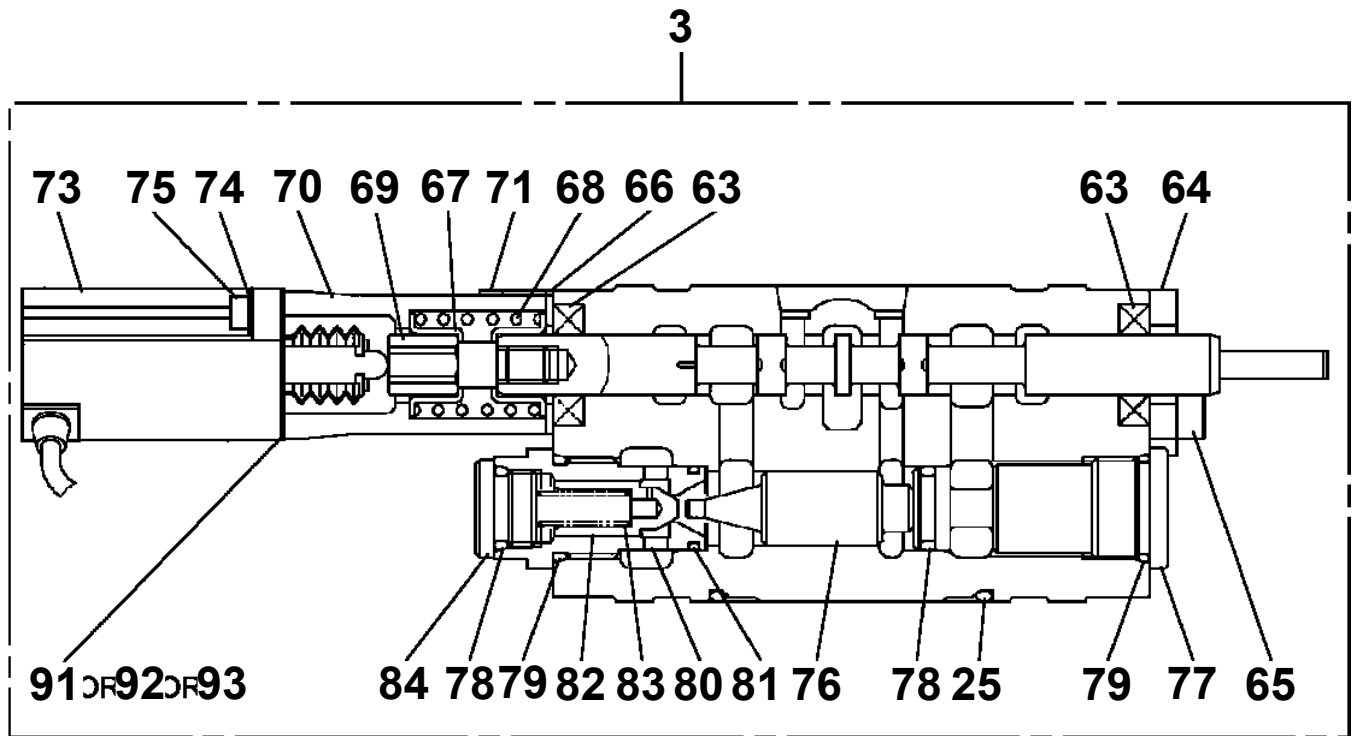
FRONT ←



**AT-146-2 42095200060 UPPER
PB1110022-00 MOUNT,PUMP (EMERGENCY/L:HIGH PRESSURE)**

指示番号 KEY NO.	マウント,ポンプ (ヒシヨウ/シヨウ:コウアツフィルタツキ) MOUNT,PUMP (EMERGENCY/L:HIGH PRESSURE FILTER)
1	ポンプ,ハイドロリック PUMP,HYDRAULIC
2	ハイセンASSY ELEC.ASSY (EMERGENCY PUMP)
3	パイピング,ロー PIPING,LOWER
4	プレートASSY,ネーム PLATE ASSY,NAME
5	ハイセンASSY ELEC.ASSY (EMERGENCY PUMP RELAY)

**AT-146-2 42095200060 UPPER
PB1320537-01 VALVE,MANUAL CONTROL**



AT-146-2 42095200060 UPPER

Pos No.	Parts No	Parts Name	Qty	Unit	Technical Data	Serial No (Start)	Serial No (End)	Remarks
1	42478183300	LEVER	1					
2	42475431200	LINK	1					
4	42478183400	SUPPORT	1					
7	80560006000	BALL,STEEL	1		6			
8	80720103010	PIN,SPRING	1		3X10			
9	37001200370	SPRING	1					
10	37000133460	PIN	2					
11	90172106020	BOLT,HEXAGON SOCKET	4		M6X20			
12	91002801400	O-RING	2		1B P14			
13	91410001400	RING,BACKUP	2		P14			
14	91002800700	O-RING	1		1B P7			
15	91410000700	RING,BACKUP	1		P7			
16	90303070601	WASHER,PLAIN	1		6			
17	90302040601	WASHER,SPRING	1		6			
18	90201200600	NUT	1		M6			
19	80601110100	RING,RITAINING	4		S10			
20	37000401040	BEARING,PLAIN	6					
21	90201200800	NUT	1		M8			
22	90302040801	WASHER,SPRING	1		8			
23	90303070801	WASHER,PLAIN	1		8			
100	42479232201	VALVE,MANUAL CONTROL	1					

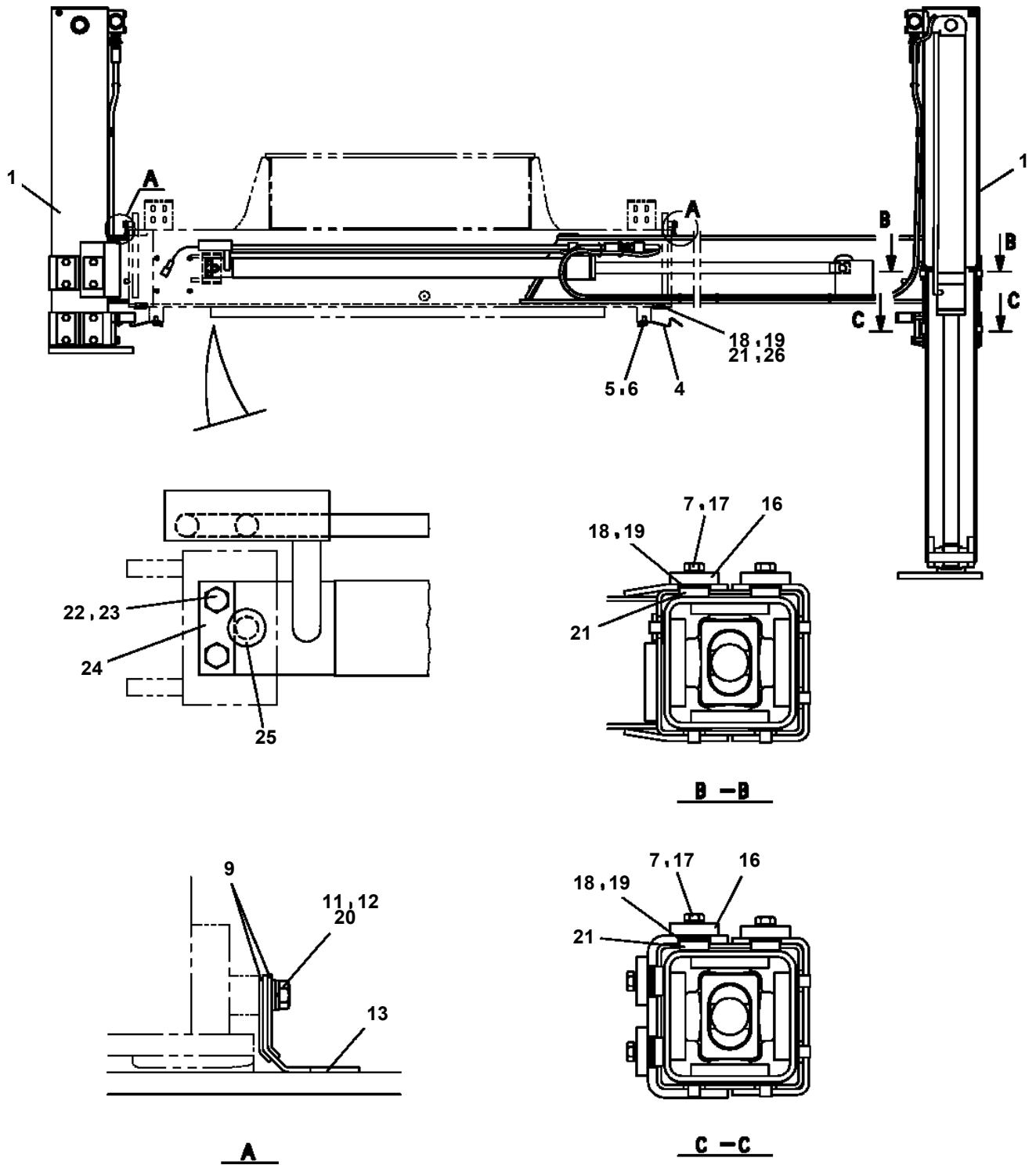
AT-146-2 42095200060 UPPER

Pos No.	Parts No	Parts Name	Qty	Unit	Technical Data	Serial No (Start)	Serial No (End)	Remarks
4	90101210035	BOLT	4		M10X35			
5	90302041001	WASHER,SPRING	6		10			
6	90172108060	BOLT,HEXAGON SOCKET	2		M8X60			
7	90302040801	WASHER,SPRING	5		8			
8	37002472380	HOSE	2		L=2580			
9	80481103030	JOINT	1		L,G3/8-G3/8			
10	37002468750	HOSE	2		L=2060			
11	37002472360	HOSE	1		L=650			
12	37002408040	HOSE	1		L=560			
13	90101210065	BOLT	2		M10X65			
14	80441030604	FITTING,ELBOW	1					
15	37000908730	JOINT (WITH O-RING)	2		L,G3/8-G1/4			
16	37002467500	HOSE	1		L=550			
17	37002446530	HOSE	1		L=460			
18	37002467470	HOSE	1		L=1500 TO 620			
19	80430620400	JOINT	2					
20	37002485560	HOSE	1		L=810			
21	37002469020	HOSE	1		L=1700			
22	90180208085	BOLT,BUTTON	2		M8X85			
23	37002408440	HOSE	1		L=300 TO 315			
24	37002468910	HOSE	1		L=420			
25	37002437110	HOSE	1		L=400			
27	91810132530	FASTENER	20					
28	37002485570	HOSE	1		L=840			
29	37000714020	CLAMP ASSY	2		12X2			
30	37002467150	HOSE	2		L=830			
31	80400160128	JOINT	1		S,G3/8-G1/4			
32	89640201000	HOSE	1		660-NFK,1M			
34	91002801400	O-RING	2		1B P14			
35	37002471700	HOSE	1		L=1150			
36	82100001411	TUBE,SPIRAL	2	M	SE-08BK			
37	37002471340	HOSE	1		L=1500			
38	37002467780	HOSE	1		L=630			
39	37002411660	HOSE	1		L=630			
40	37000917220	FITTING	1		PF3/8XPF3/8			
41	37001600820	NUT	1		PF3/8			
43	37002469100	HOSE	1		L=400			
45	82100001819	TUBE,SPIRAL	2	M	SE-18BK			
46	82100000955	GROMMET	4		SG-34A			
47	37002472390	HOSE	1		L=2080			
48	82100002039	CLAMP	1					
49	90201200800	NUT	2		M8			
50	82410124004	INSULATOR	1					
51	90101206012	BOLT	2		M6X12			
52	90302040601	WASHER,SPRING	2		6			
53	42345040010	PLATE	1					
54	82100002877	TUBE,SPIRAL	1	M	SE-24BK			
55	(*****)	VALVE	1					
56	37002485550	HOSE	1		L=960			
57	37002468120	HOSE	1		L=1050			
71	36641430000	VALVE,REMOTE CONTROL	1					
72	37000912910	JOINT	2		G1/2,G3/8			
73	37000928120	JOINT	1		G1/2,G1/2			
74	91002801800	O-RING	12		1B P18			
75	37000927640	JOINT	2					
76	37000912920	JOINT	1					
77	37000928490	JOINT	1					
78	37000925660	JOINT	1		S,G3/4-G1/2			
79	91002802400	O-RING	2		1B P24			
80	37000908720	JOINT (WITH O-RING)	1		PF1/2-PF3/8			
81	37000928630	JOINT	1		S,PF3/4,PF1/2			
82	80430620800	JOINT	2					
91	37000927870	JOINT	1					

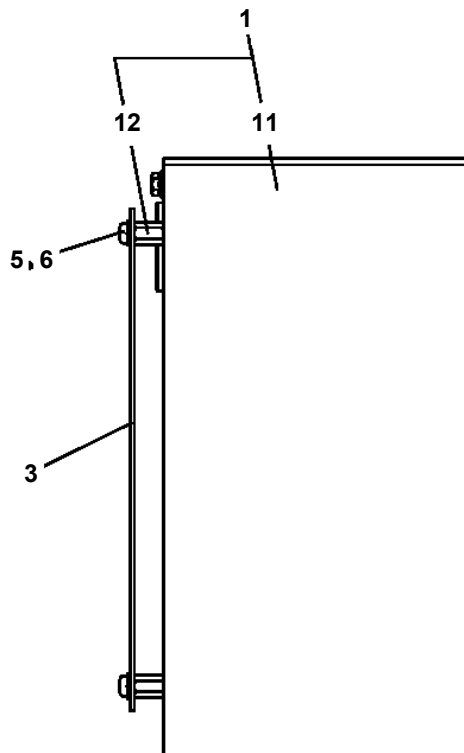
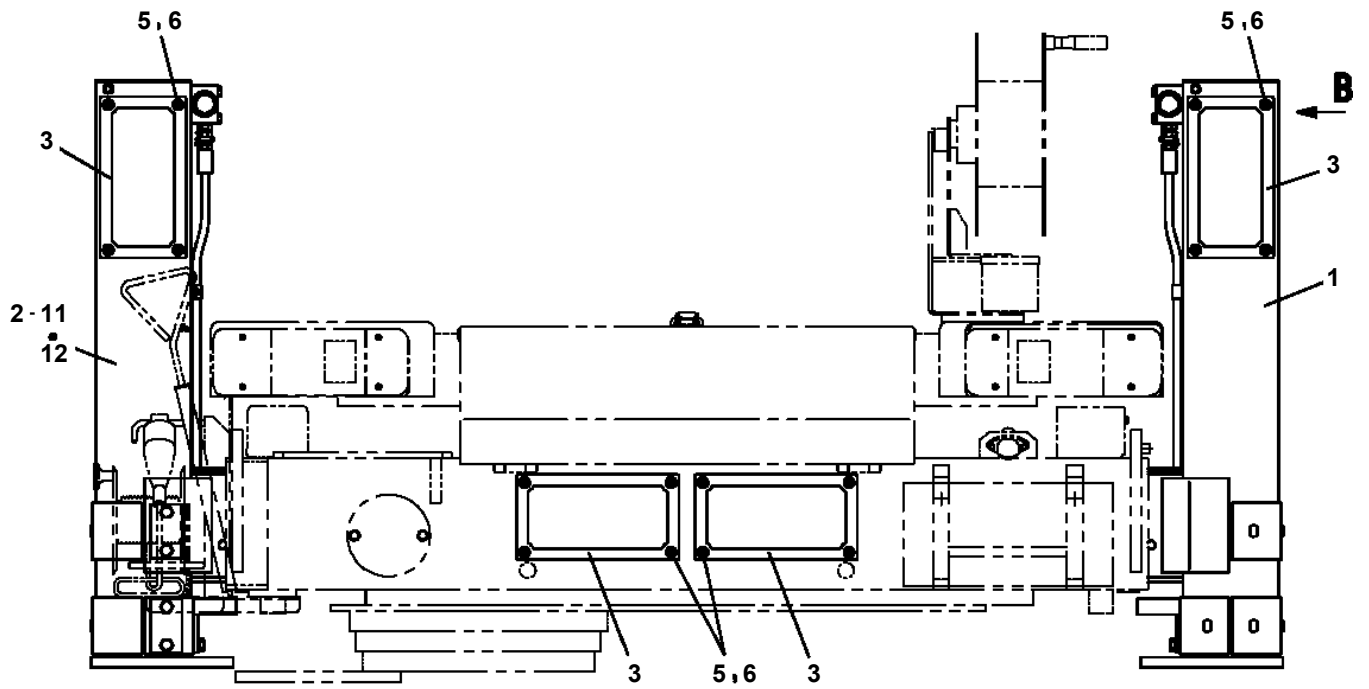
AT-146-2 4209520060 UPPER

Pos No.	Parts No	Parts Name	Qty	Unit	Technical Data	Serial No (Start)	Serial No (End)	Remarks	Pages
1	42501473100	FITTING,FLANGE	1						
2	37002503360	HOSE	1		L=550				
3	91803600350	CLIP	4		D=25-35				
4	42643050300	JOINT	1						
5	91002801400	O-RING	1		1B P14				
6	80302090141	FITTING	1		KCO12-020N				
7	91002801100	O-RING	2		1B P11				
8	81408000160	PIPE,STEEL	1	M	12X1.4T				
9	80303010100	FITTING,ELBOW	1		KLA12-000N				
10	81408000160	PIPE,STEEL	1	M	12X1.4T				
11	80320010075	FITTING	1		KUD12-020N				
12	37002486170	HOSE	1		L=440				
13	80400160127	JOINT	1						
14	37000924270	JOINT	1						
15	37000711000	CLAMP ASSY	3		12-1				
16	42501473200	SUPPORT	1						
17	90101208016	BOLT	4		M8X16				
18	90302040801	WASHER,SPRING	4		8				

**AT-146-2 42095200060 UPPER
PC1010956-00 OUTRIGGER (REAR/MOUNT)**

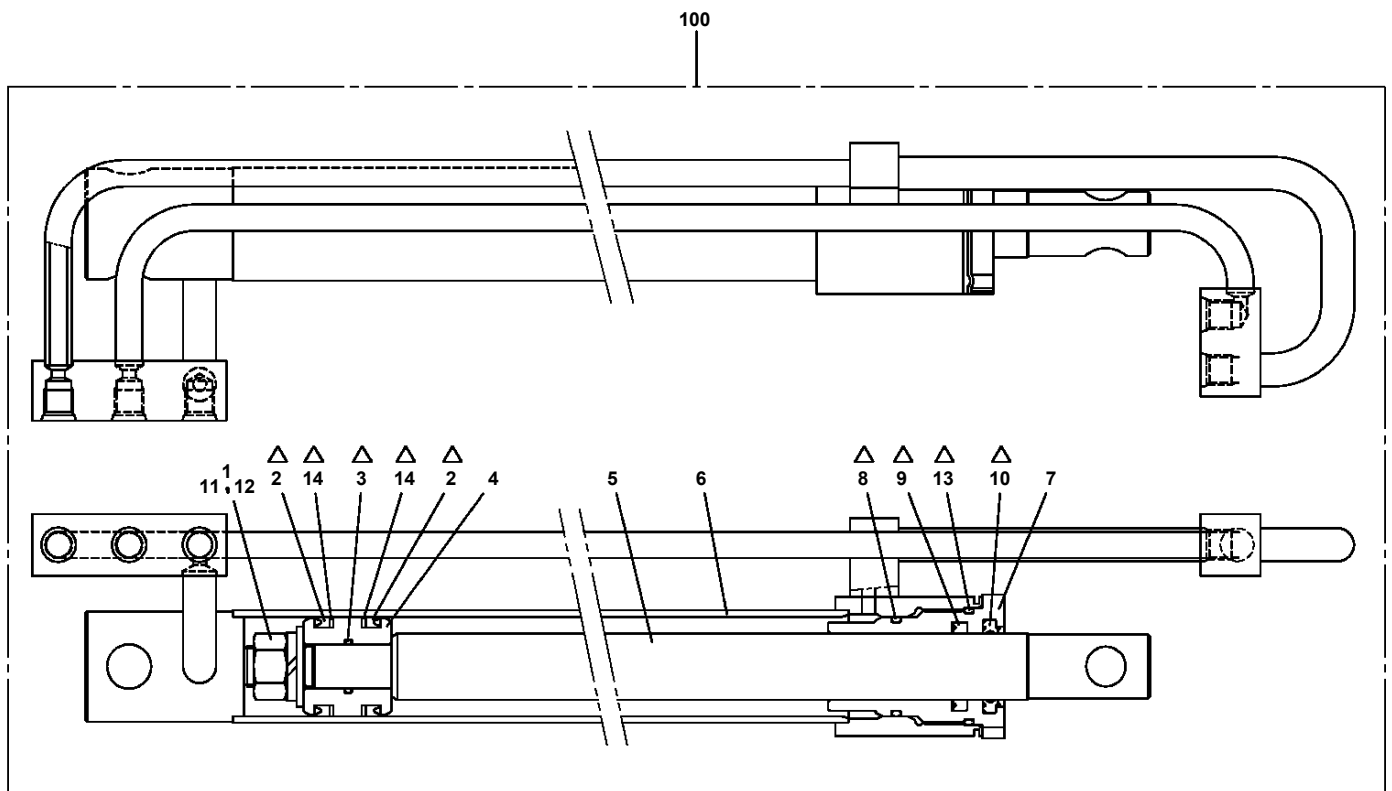


AT-146-2 42095200060 UPPER
PC1011187-00 OUTRIGGER (REAR,REFCTOR)



B

**AT-146-2 42095200060 UPPER
PC1050221-00 CYLINDER,EXTENSION (FRONT)**



Δ:PACKING SET KEY NO.30 (KEY NO.2,3,8,9,10,13,14)

AT-146-2 42095200060 UPPER

Pos No.	Parts No	Parts Name	Qty	Unit	Technical Data	Serial No (Start)	Serial No (End)	Remarks
1	42272111100	COVER	1					
2	42272111200	COVER	1					
3	42271801500	COVER	1					
4	42271801600	COVER	1					
6	82464104602	HINGE	4					
7	80172803010	SCREW,MACHINE	8		M3X10			
8	37000565900	PLATE	4					
9	80172804012	SCREW,MACHINE	12		M4X12			
10	90201500400	NUT	12		M4			
11	90302510401	WASHER,SPRING	12		4			
13	82464110305	HINGE	2					
14	80172803008	SCREW,MACHINE	8		M3X8			
15	90201500300	NUT	24		M3			
16	90302510301	WASHER,SPRING (SUS 3)	32					
17	82466100702	CATCH	2					
18	80175803010	SCREW,MACHINE	16		M3X8			
19	82466009002	CATCH	4					
20	37000508510	PLATE	8					
21	80163803010	SCREW,MACHINE	8		M3X10			
22	82112001022	SLEEVE	2					
23	42220249510	ROPE,WIRE	1	M				
24	42271680020	HOOK	1					
61	82400000309	GROMMET	1		L=1000			
100	42272111000	COVER ASSY	1					

AT-146-2 42095200060 UPPER

Pos No.	Parts No	Parts Name	Qty	Unit	Technical Data	Serial No (Start)	Serial No (End)	Remark
1	36026410000	CYLINDER ASSY	1					
2	36624110000	VALVE,CHECK	1					
3	90172110050	BOLT,HEXAGON SOCKET	4		M10X50			
24	36026412000	PISTON	1					
25	91300009500	BEARING,PLAIN	1					
26	91002802600	O-RING	1		1B P26			
29	80612110520	RING,RITAINING	1		AR52			
30	91002909000	O-RING	1		1B G90			
31	80801004525	BEARING,PLAIN	1					
32	91694004500	PACKING	1					
33	91410204502	RING,BACKUP	1					
34	91660004501	SEAL,DUST	1					
36	80541700030	BEARING,SPHERICAL (NTN)	1		SA4-30B			
37	80820003030	BEARING,PLAIN	2					
38	80720105025	PIN,SPRING	1		5X25			
39	82455106000	NIPPLE,GREASE	1		A-M6F FE			
40	91684009500	PACKING	2					
41	91411208002	RING,BACKUP	2					
42	91002909500	O-RING	1		1B G95			
51	36026419510	CYLINDER ASSY	1					
52	36026419520	ROD ASSY	1					
53	36026419530	COVER,ROD	1					
54	36026419900	PACKING SET	1					

AT-146-2 42095200060 UPPER

Pos No.	Parts No	Parts Name	Qty	Unit	Technical Data	Serial No (Start)	Serial No (End)	Remarks
11	42500717500	FRAME	1					
12	42500717502	SPROCKET	1					
13	42500717504	IDLER	1					
14	42500717506	SPROCKET	1					
15	42500717508	CLUTCH	1					
16	42500717510	ARM (CLUTCH)	1					
17	42500717512	COLLAR	1					
18	42500717514	HOLDER,BEARING	1					
19	42500717516	SHAFT	1					
20	42500717518	LEVER (A)	1					
21	42500717520	HOLDER (LEVER)	1					
22	42500717522	LEVER (B)	1					
23	42500717524	BRACKET	1					
24	42500717526	PIN	1					
25	42500717528	SHAFT (IDLER)	1					
26	42500717530	COVER	1					
30	42500717532	CHAIN	1					
31	42500717534	JOINT	1					
32	42500717536	BEARING	1					
33	42500717538	BUSH	1					
34	42500717540	RING,SNAP	1					
35	42500717542	BEARING	1					
36	42500717544	MOTOR ASSY	1					
37	42500717546	RING,SNAP	1					
39	42500717548	BEARING	2					
40	42500717550	RING,SNAP	1					
41	42500717552	RING,SNAP	1					
42	42500717554	SPRING	1					
43	42500717556	KEY	1		5X5X50L			
44	42500717558	KEY	1		18X11X46L			
45	37000927130	JOINT	2					
46	80471020503	JOINT	2		45,G3/8-G3/8			
47	42500717560	BUSH (FLANGE)	1					
48	42500717562	BUSH (FLANGE)	1					
50	90101208020	BOLT	18		M8X20			
51	90303070801	WASHER,PLAIN	16		8			
52	90302040801	WASHER,SPRING	24		8			
53	90101716055	BOLT	6		M16X55			
54	90201401600	NUT	6		M16			
55	90303071601	WASHER,PLAIN	17		16			
56	90302041601	WASHER,SPRING	16		16			
57	90101710025	BOLT	6		M10X25			
58	90302041001	WASHER,SPRING	14		10			
60	90101212140	BOLT	1		M12X140			
61	90302041201	WASHER,SPRING	3		12			
62	90201202000	NUT	1		M20			
63	90303072001	WASHER,PLAIN	1		20			
64	90302042001	WASHER,SPRING	1		20			
66	90101216045	BOLT	4		M16X45			
120	42500717570	ROLLER (A)	2					
121	42500717572	ROLLER (B)	6					
122	42500717574	SHAFT (A)	2					
123	42500717576	SHAFT (B)	6					
124	42500717578	COLLAR (A)	4					
125	42500717580	PIN	2					
126	42500717582	COLLAR (B)	12					
127	42500717584	BASE (SLIDE)	1					
128	42500717586	SHOE	2					
130	42500717588	SPROCKET	2					
131	42500717590	COLLAR	2					
132	42500717592	PIN	2					
133	42500717594	BRACKET (SPROCKET)	2					
134	42500717596	BRACKET	1					

AT-146-2 42095200060 UPPER

Pos No.	Parts No	Parts Name	Qty	Unit	Technical Data	Serial No (Start)	Serial No (End)	Remarks	Pages
1	42477571000	SUPPORT	1						
2	90201201600	NUT	1		M16				
3	90303071601	WASHER,PLAIN	1		16				

AT-146-2 42095200060 UPPER

Pos No.	Parts No	Parts Name	Qty	Unit	Technical Data	Serial No (Start)	Serial No (End)	Remarks	Pages
1	37001002260	SHEAVE	1						
2	37000307870	SPACER	2						
3	37000174490	PIN	1						
4	42220411000	SUPPORT	1						
5	42220410100	JIB (FRP L=1800)	1						
6	90101216130	BOLT	1		M16X130				
7	90303071601	WASHER,PLAIN	1		16				
8	90201201600	NUT	1		M16				
9	90101210016	BOLT	1		M10X16				
10	90302041001	WASHER,SPRING	1		10				
11	42220400010	GUIDE	1						
12	42220400020	GUIDE	1						
13	90183106020	BOLT	8		M6X20				
14	42220041050	PLATE,NAME	2						
15	42220400030	GUIDE	2						
21	80516006207	BEARING,BALL	1						

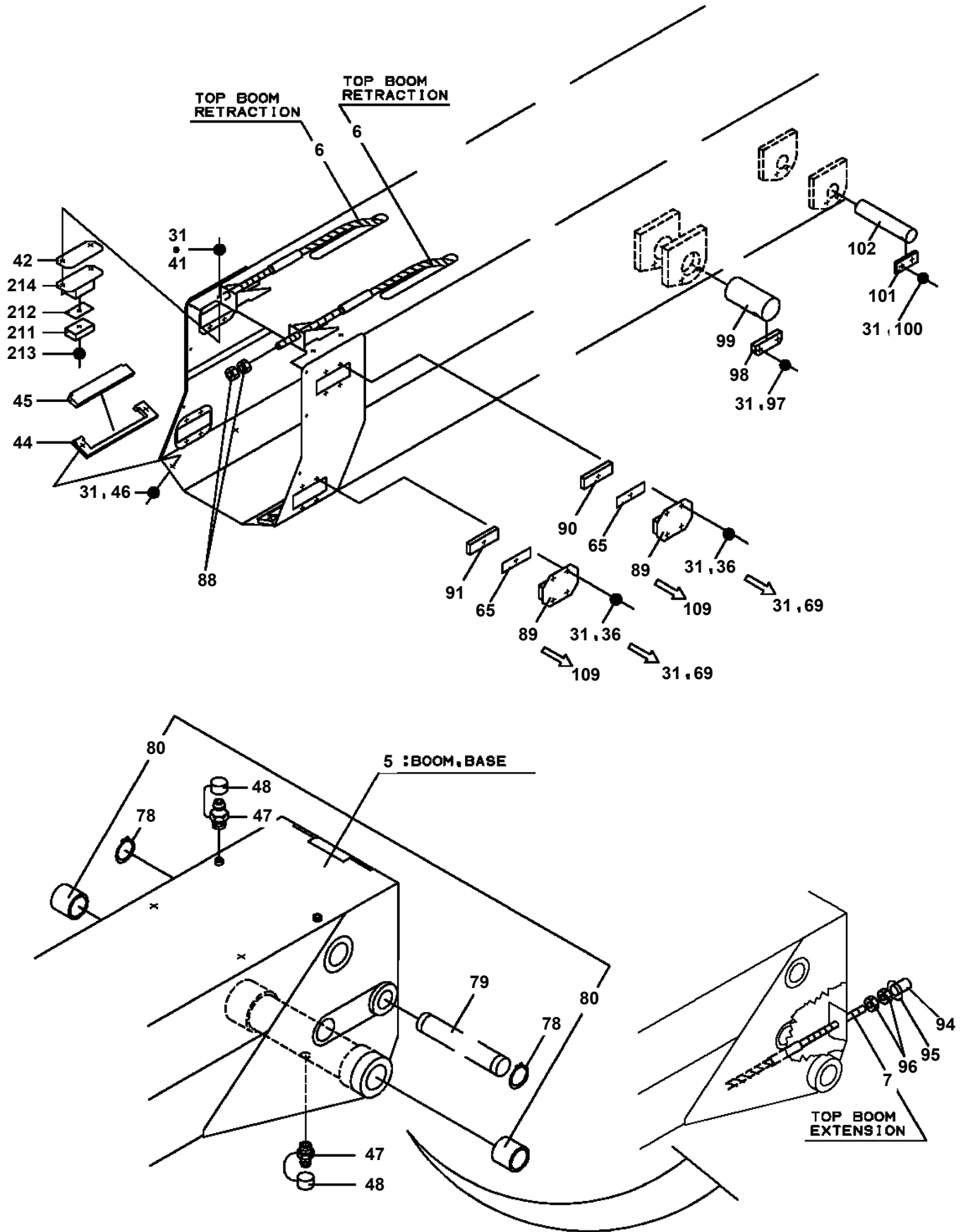
AT-146-2 42095200060 UPPER

Pos No.	Parts No	Parts Name	Qty	Unit	Technical Data	Serial No (Start)	Serial No (End)	Remarks	Pages
2	42220041050	PLATE,NAME	2						
3	42220610100	GUIDE	2						
4	37000504780	PLATE	4		T=0.6				
5	90183106020	BOLT	12		M6X20				
6	42220580030	SHIM	2		T=0.5				
7	37001002260	SHEAVE	1						
8	37000312170	SPACER	2						
9	37000302490	SPACER	2		L=2				
10	80603110350	RING,RITAINING	2		C35				
11	42220400040	COVER	2						
12	42220400050	PIN	1						
13	42220400020	GUIDE	1						
14	42220400010	GUIDE	1						
15	42220580010	GUIDE	2						
16	37000504770	PLATE	4		T=1.0				
31	42220420201	JIB	1						
41	80516006207	BEARING,BALL	1						

AT-146-2 42095200060 UPPER

Pos No.	Parts No	Parts Name	Qty	Unit	Technical Data	Serial No (Start)	Serial I
1	(*****)	WINCH,JIB (FRP/INTEGRATED SUPPORT,GRAY)	1				
2	(*****)	CHARGER INSTALLATION (MECHANICAL ARM)	1				
3	(*****)	ARM (REPLACE PLATE,SLIDE)	1				

**AT-146-2 42095200060 UPPER
PG1010821-04 BOOM**



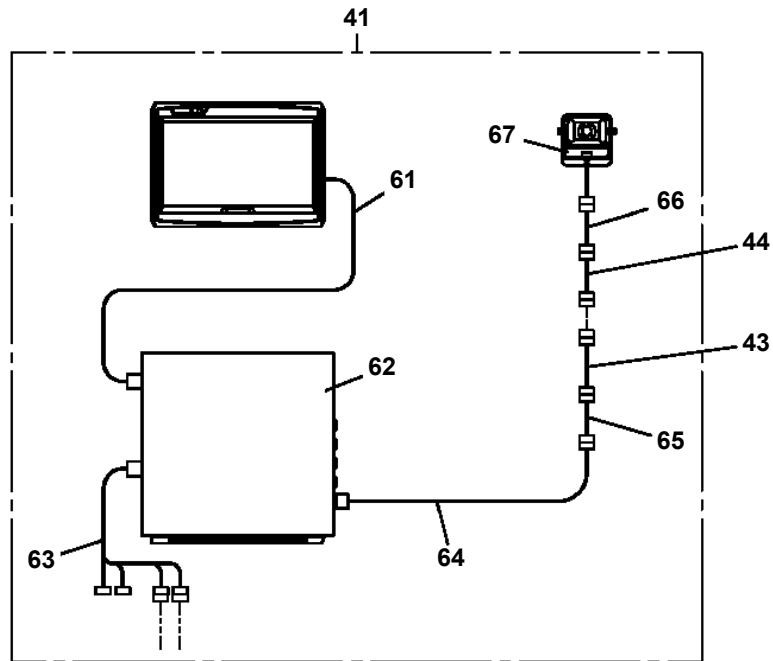
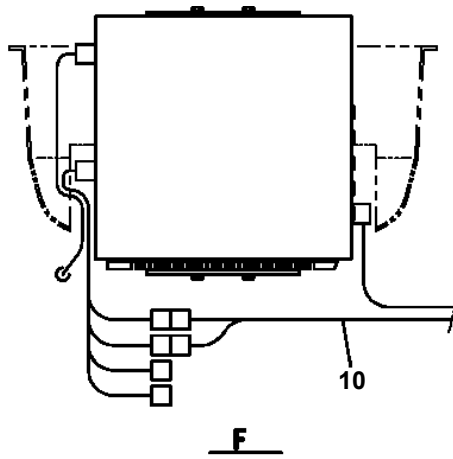
AT-146-2 42095200060 UPPER

Pos No.	Parts No	Parts Name	Qty	Unit	Technical Data	Serial No (Start)	Serial No (End)
1	81408000130	PIPE,STEEL	4	M	10X1.8T		
2	81408000130	PIPE,STEEL	4	M	10X1.8T		
3	81408000241	PIPE,STEEL	4	M	18X1.9T		
4	81408000160	PIPE,STEEL	4	M	12X1.4T		
5	81408000210	PIPE,STEEL	4	M	15X2.0T		
6	80400160201	JOINT	2				
7	37002458200	HOSE	2		L=1850		
8	80320010090	FITTING	1		KUD15-030N		
9	80320010080	FITTING	1		KUD12-030N		
10	80320010140	FITTING	1		KUD18-040N		
11	37000578940	PLATE	4		T=3.0		
12	37002472240	HOSE	3		L=9940		
13	80400160127	JOINT	4				
14	91002801100	O-RING	4		1B P11		
15	37002478990	HOSE	2		L=9580		
16	80430620600	JOINT (WITH O-RING)	1		L,G3/8-G3/8		
17	42345161000	JOINT	1				
18	42343740100	COVER	1				
19	80192486014	SCREW,MACHINE (WITH WASHER)	4		M6X14		
20	90101210020	BOLT	10		M10X20		
21	90302041001	WASHER,SPRING	10		10		
22	42345162000	JOINT	1				
23	80320020080	FITTING	1		KUF12-030N		
24	80320020090	FITTING	1		KUF15-030N		
25	80320020050	FITTING	2		KUF10-020N		
26	37000919790	JOINT	2				
27	91002801400	O-RING	2		1B P14		
28	42344970500	CLAMP	3				
29	42345860100	SUPPORT	1				
30	90180208020	BOLT,BUTTON	2		M8X20		
31	90302040801	WASHER,SPRING	16		8		
32	90171108018	BOLT	4		M8X18		
33	42344970200	ROLLER ASSY	1				
34	42345860300	CLAMP	1				
35	37000556580	PLATE	2				
36	42345860500	CLAMP	1				
37	42344971000	SHEAVE ASSY (MARUCH)	1				
39	90101208045	BOLT	2		M8X45		
40	90101208012	BOLT	2		M8X12		
41	42344970800	SUPPORT	1				
42	37000714020	CLAMP ASSY	1		12X2		
43	37000573430	PLATE	6		T=1		
44	90203201200	NUT	4		M12		
45	90101208020	BOLT	6		M8X20		
46	37000312510	SPACER	2		L=27.5		
47	90303071201	WASHER,PLAIN	4		12		
48	90302041201	WASHER,SPRING	2		12		
49	37000564680	PLATE	1				
50	37000576570	PLATE	1				
51	90303070801	WASHER,PLAIN	2		8		
52	42345860200	SUPPORT	1				
54	37002418410	HOSE	1		L=9940		
75	80316070060	PLUG	2		PF3/8		
76	91002801400	O-RING	5		1B P14		
81	42344970210	SUPPORT	1				
82	37000174180	PIN	1				
83	42340234240	ROLLER	3		W=9		
84	44340392420	ROLLER	4				
85	90303100801	WASHER,PLAIN	14		8		
86	80136320016	PIN,SPLIT	2		2X16		
91	42344971100	SHEAVE (MARUCH)	1				
92	42344971110	PIN	1				
93	80136363050	PIN,SPLIT	2		6.3X50		

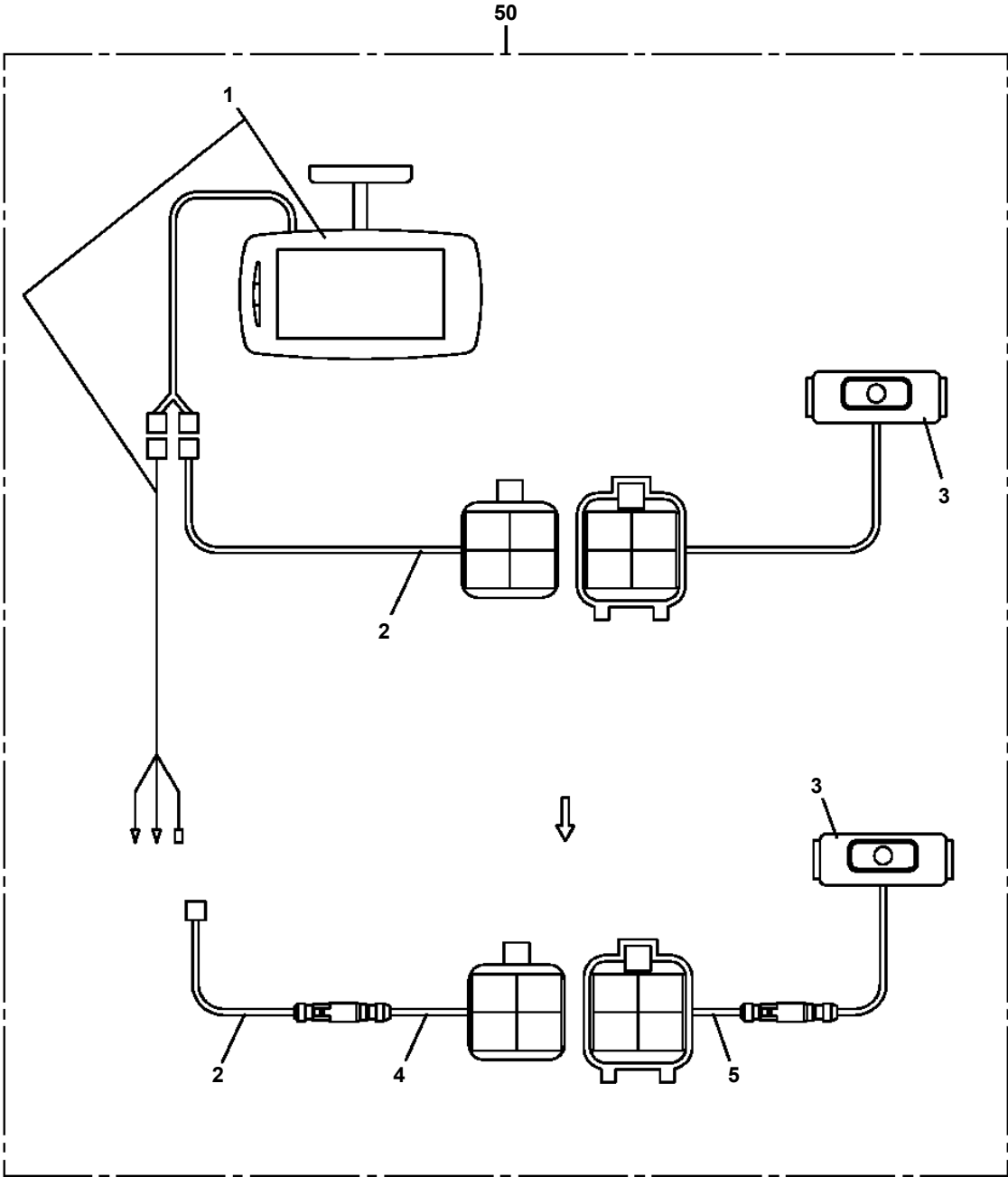
AT-146-2 42095200060 UPPER

Pos No.	Parts No	Parts Name	Qty	Unit	Technical Data	Serial No (Start)	Serial No (End)	Rema
2	36191071030	BOARD,CIRCUIT	1					
3	36190191070	BOARD,CIRCUIT	1				228062	
	36190191071	BOARD ASSY	1			228063		
4	36190185150	SEAT	1					
5	36190185050	BOX	1					
6	36190185060	PANEL ASSY	1					
7	36190185070	FITTING (SET)	1					
8	36190185080	COVER (SET)	1					
9	36190195020	STAY SET	1					
10	36190185100	FRAME ASSY	1					
11	36190185111	HARNESS ASSY	1					
12	36190185121	HARNESS ASSY	1					
14	36190185160	HARNESS	1					
31	36191075012	BOARD,CIRCUIT (WITH DATA)	1				227822	
	36191075013	BOARD,CPU (WITH DATA)	1			227823	228101	
	36191075014	BOARD,CPU (WITH DATA)	1			228102		
100	36191070001	MOTION CONTROLLER (AMC)	1					

**AT-146-2 42095200060 UPPER
PH1700150-00 VIEW SYSTEM (MONITOR:CLARION/TOYOTA)**



**AT-146-2 42095200060 UPPER
PH1700168-00 VIEW SYSTEM**



AT-146-2 42095200060 UPPER

Pos No.	Parts No	Parts Name	Qty	Unit	Technical Data	Serial No (Start)	Serial No (End)
1	(*****)	VIEW SYSTEM(COLOR MONITOR:ICHIKOH/ISUZU)	1				
2	(*****)	VIEW SYSTEM (CAMERA/ICHIKOH)	1				

AT-146-2 42095200060 UPPER

Pos No.	Parts No	Parts Name	Qty	Unit	Technical Data	Serial No (Start)	Serial No (End)	Remarks	I
1	(*****)	VIEW SYSTEM (MONITOR)	1						0
2	(*****)	VIEW SYSTEM (CAMERA)	1						0

AT-146-2 42095200060 UPPER

Pos No.	Parts No	Parts Name	Qty	Unit	Technical Data	Serial No (Start)	Serial No (End)	Remarks	Pages
1	42739941100	VIEW SYSTEM	1						000121
2	91810130240	FASTENER	10						

AT-146-2 42095200060 UPPER

Pos No.	Parts No	Parts Name	Qty	Unit	Technical Data	Serial No (Start)	Serial No (End)	Remarks
2	42739697510	CABLE ASSY	1					
3	42739697540	CABLE ASSY	1					
4	42739697520	CLIP	1					
5	42739697530	REMOTE CONTROL ASSY	1					
100	42739931110	DISPLAY	1					

AT-146-2 42095200060 UPPER

Pos No.	Parts No	Parts Name	Qty	Unit	Technical Data	Serial No (Start)	Serial No (End)	Remarks	Pages
100	42354930100	HARNESS	1						

AT-146-2 42095200060 UPPER

Pos No.	Parts No	Parts Name	Qty	Unit	Technical Data	Serial No (Start)	Serial No (End)	Remarks	Pages
100	42352350400	HARNESS	1						

AT-146-2 42095200060 UPPER

Pos No.	Parts No	Parts Name	Qty	Unit	Technical Data	Serial No (Start)	Serial No (End)	Remarks	Pages
100	42736670100	HARNESS	1						

AT-146-2 42095200060 UPPER

Pos No.	Parts No	Parts Name	Qty	Unit	Technical Data	Serial No (Start)	Serial No (End)	Remarks	Pages
100	42738385300	HARNESS	1						

AT-146-2 42095200060 UPPER

Pos No.	Parts No	Parts Name	Qty	Unit	Technical Data	Serial No (Start)	Serial No (End)	Remarks	Pages
100	42612861350	HARNESS	1						

AT-146-2 42095200060 UPPER

Pos No.	Parts No	Parts Name	Qty	Unit	Technical Data	Serial No (Start)	Serial No (End)	Rem
4	82105220112	SWITCH,TOGGLE	1					
6	82197518119	CAP (PLUS ONE MFG./BLACK)	1					
	82197518114	CAP (MATSUSHITA/BLACK)	1					
7	82100001382	SWITCH,PUSH (BLACK)	1					
21	82100001169	BUTTON (BLACK)	1					
100	42473710011	HARNESS	1					

AT-146-2 42095200060 UPPER

Pos No.	Parts No	Parts Name	Qty	Unit	Technical Data	Serial No (Start)	Serial No (End)	Remarks	Pages
100	42354820200	HARNESS	1						

AT-146-2 42095200060 UPPER

Pos No.	Parts No	Parts Name	Qty	Unit	Technical Data	Serial No (Start)	Serial No (End)	Remarks	Pages
3	16025153030	SPRING	1						
4	91000501500	O-RING	1		AS568-015				
5	91002802200	O-RING	1		1B P22				
6	91002801001	O-RING	1		1B P10A				
10	16025153020	SPRING	1						
14	91001001600	O-RING	2		1A S16				
30	36604750000	VALVE,RELIEF	1						

AT-146-2 42095200060 UPPER

Pos No.	Parts No	Parts Name	Qty	Unit	Technical Data	Serial No (Start)	Serial No (End)	Remarks
5	36642765080	SPRING	2					
7	36642765050	O-RING	2					
8	36642765060	WASHER (CENTER)	2					
10	91000501200	O-RING	4					
31	36741765010	NUT	2					
32	36643435040	PIN,SPRING	4					
33	36741765030	CORE ASSY (SOLENOID)	2					
34	36646785020	COIL,SOLENOID	2					
35	36648475110	O-RING	2					
36	36741765020	O-RING	2					
50	36646780000	VALVE,SOLENOID	1					

AT-146-2 42095200060 UPPER

Pos No.	Parts No	Parts Name	Qty	Unit	Technical Data	Serial No (Start)	Serial No (End)	Remarks	Pages
1	36625755070	BODY ASSY	1						
4	37001201680	SPRING	1						
5	36625755040	PLUG	1						
6	91002801400	O-RING	4		1B P14				
7	36625755050	PISTON	1						
8	80316070120	PLUG	1		G1				
9	91002802900	O-RING	1		1B P29				
10	80316090020	PLUG	5		KKT PT1/8				
11	36625755060	ORIFICE	1						
100	36625750000	VALVE,CHECK	1						

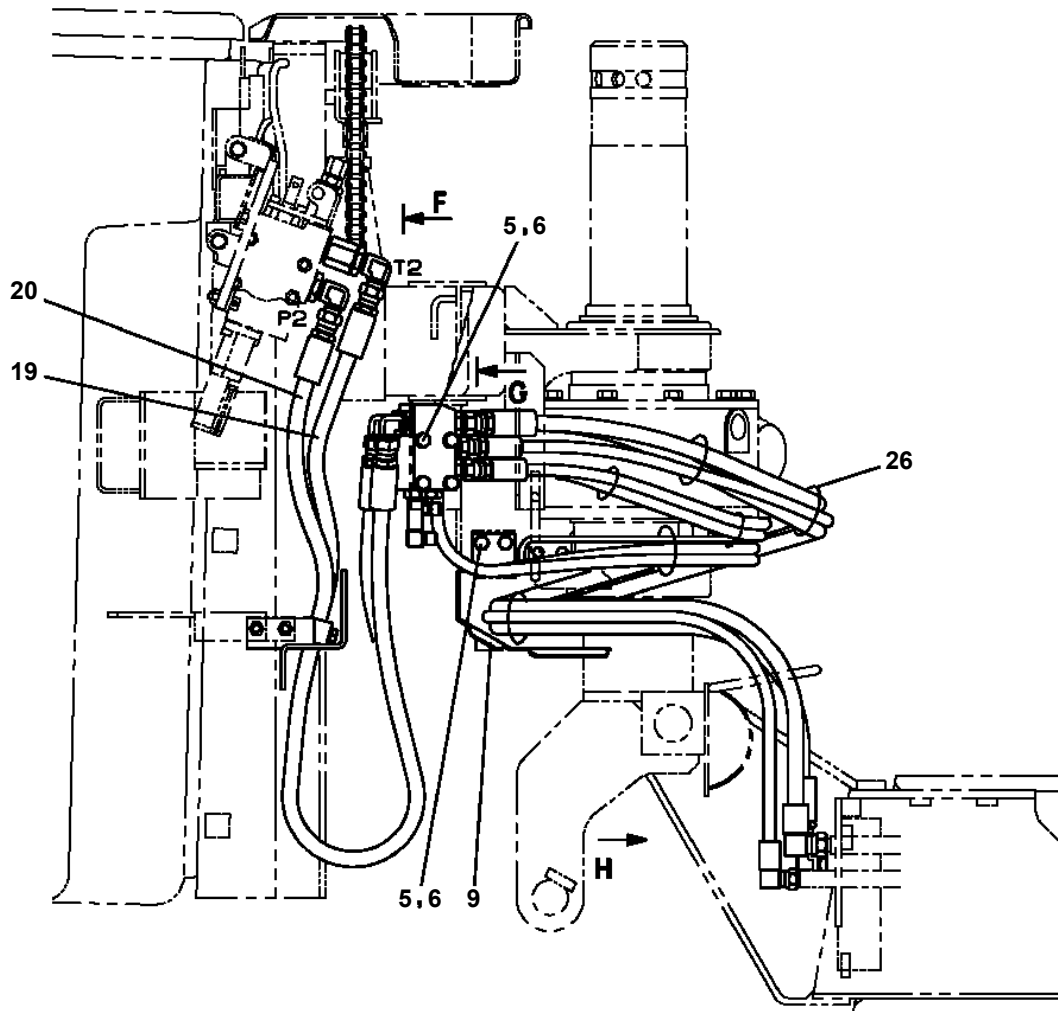
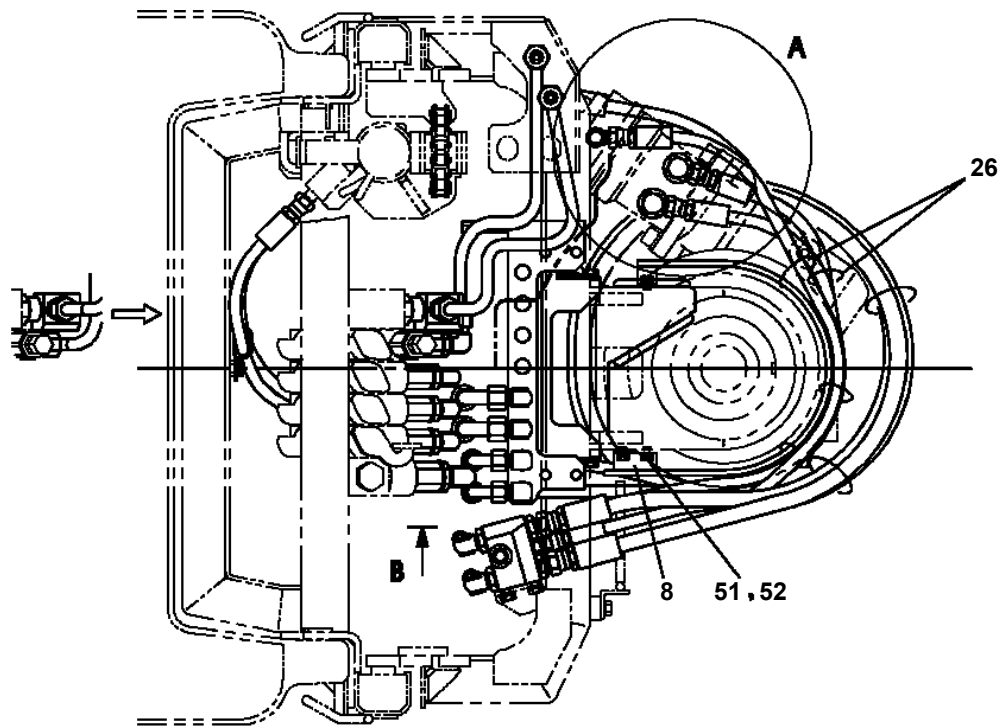
AT-146-2 42095200060 UPPER

Pos No.	Parts No	Parts Name	Qty	Unit	Technical Data	Serial No (Start)	Serial No (End)	Remarks
2	91002801400	O-RING	2		1B P14			
6	91002800700	O-RING	1		1B P7			
9	91002801000	O-RING	2		1B P10			
10	90131510040	BOLT,HEXAGON SOCKET	2		M10X40			
11	36620038010	VALVE,PILOT CHECK	1					

AT-146-2 42095200060 UPPER

Pos No.	Parts No	Parts Name	Qty	Unit	Technical Data	Serial No (Start)	Serial No (End)	Remarks	Pages
1	42478931000	CASE,INNER	1						
2	42478932000	CASE,INNER	1						

**AT-146-2 42095200060 UPPER
PJ3110025-01 PIPING (BUCKET)**



AT-146-2 42095200060 UPPER

Pos No.	Parts No	Parts Name	Qty	Unit	Technical Data	Serial No (Start)	Serial No (End)	Remarks	Pages
1	16715401000	NIPPLE	2						
2	16715403000	SLEEVE	4						
3	16715404000	NIPPLE	4						
4	16715402000	FITTING,ELBOW	2						
5	82456101000	NIPPLE,GREASE	2		A-PT1/8				
6	42345289510	PIPE ASSY	1						
7	82459103000	NIPPLE,GREASE	1		C-PT1/8				
8	42345849510	PIPE ASSY	1						

CLICK HERE TO **DOWNLOAD** THE COMPLETE MANUAL

- Thank you very much for reading the preview of the manual.
- You can download the complete manual from: www.heydownloads.com by clicking the link below



- Please note: If there is no response to CLICKING the link, please download this PDF first and then click on it.

CLICK HERE TO **DOWNLOAD** THE COMPLETE MANUAL

AT-146-2 42095200060 UPPER

Pos No.	Parts No	Parts Name	Qty	Unit	Technical Data	Serial No (Start)	Serial No (End)	Remarks	Pages
1	42500400100	COVER	1						

AT-146-2 42095200060 UPPER

Pos No.	Parts No	Parts Name	Qty	Unit	Technical Data	Serial No (Start)	Serial No (End)
1	(*****)	MODIFICATION ASSY (PANEL,LEVER EXCHANGE)	1				
3	(*****)	SUPPORT (BUCKET FRAME)	1				
4	(*****)	SWITCH,DETECTOR	1				
6	(*****)	NAME PLATE ASSY (BUCKET)	1				

AT-146-2 42095200060 UPPER

Pos No.	Parts No	Parts Name	Qty	Unit	Technical Data	Serial No (Start)	Serial No
1	42354740101	HARNESS	1				
2	42354740200	SWITCH ASSY	1				
3	82100002596	RELAY	1				
4	80192486010	SCREW,MACHINE	7		M6X10		
5	80192484016	SCREW,MACHINE	6		M4X16		
6	91850400601	CLAMP	7				
7	91810132530	FASTENER	15				
8	90201200800	NUT	1		M8		
9	90302040801	WASHER,SPRING	1		8		
10	90303070801	WASHER,PLAIN	1		8		
11	42354741000	PANEL ASSY	1				
12	82100002017	CLAMP	1		WR30		
13	90280200600	NUT,FLANGE	3		M6		
14	82100001801	TUBE,CORRUGATE	1	M	7		
16	82100002014	CLAMP	1		WR20		
17	82100001807	TUBE,CORRUGATE	1	M	28		
18	82100002010	CLAMP	1		WR15		
19	82161201010	RELAY	2				
20	42350250150	PLUG (6 POLES,MALE)	1				
21	42352190100	RESISTANCE	1				
22	80172303012	SCREW,MACHINE	2		M3X12		
23	90302040301	WASHER,SPRING	2		3		
24	90303070301	WASHER,PLAIN	2		3		
25	42351460010	HARNESS	1		L=3500		
26	42470201060	PLATE	1				
28	80192484012	SCREW,MACHINE (WITH WASHER)	10		M4X12		
29	42350250070	PLUG (2 POLES,MALE)	1				
31	82100001819	TUBE,SPIRAL	1	M	SE-18BK		
37	82100002308	COVER	2				
53	82100002594	RING	1		OGL-31		
56	42353381100	PLATE,NAME	1				
57	42353381200	PANEL	1				
58	82197518114	CAP (MATSUSHITA/BLACK)	5				
	82197518119	CAP (PLUS ONE MFG./BLACK)	5				
71	42352191000	CONVERTER (DC-DC)	1				227756
72	42353383100	COVER	1				
73	80172305012	SCREW,MACHINE	4		M5X12		
74	90201200500	NUT	4		M5		
75	90302040501	WASHER,SPRING	4		5		
76	90303070501	WASHER,PLAIN	4		5		
121	42352457510	KEY	1				
131	82101361003	BUTTON	1				
141	42354541300	SWITCH ASSY (WITH HARNESS,1 SW)	1				
142	42354541100	SWITCH ASSY	1				
144	42354541200	SWITCH ASSY (WITH HARNESS,1 SW)	1				
145	42354541400	SWITCH ASSY (WITH HARNESS,3 SWITCH)	1				
181	42356091000	CONVERTER (ASSY ONLY)	1			227757	

AT-146-2 42095200060 UPPER

Pos No.	Parts No	Parts Name	Qty	Unit	Technical Data	Serial No (Start)	Serial No (End)	Remarks	Pages
1	82100002596	RELAY	1						

AT-146-2 42095200060 UPPER

Pos No.	Parts No	Parts Name	Qty	Unit	Technical Data	Serial No (Start)	Serial No (End)
1	42501444100	HARNESS	1				
2	42501444200	COVER	1				
3	90101208012	BOLT	2		M8X12		
4	90302040801	WASHER,SPRING	2		8		
5	42420623600	LAMP ASSY (RED)	1				
6	42433932200	SWITCH ASSY (WITH HARNESS,1 SW)	1				
7	82197518119	CAP (PLUS ONE MFG./BLACK)	1				
	82197518114	CAP (MATSUSHITA/BLACK)	1				
8	42501441030	PLATE,NAME	1				
9	42501441040	PLATE,NAME	1				
10	91850400601	CLAMP	5				
11	91810132530	FASTENER	30				
24	82100002486	LAMP,PILOT	1				
35	82105220153	SWITCH,TOGGLE	1				

AT-146-2 42095200060 UPPER

Pos No.	Parts No	Parts Name	Qty	Unit	Technical Data	Serial No (Start)	Serial No (End)	Remarks	Pa
1	42509041000	CABLE ASSY,SIGNAL	1						
2	37000714010	CLAMP ASSY	5		12X1				
3	37000300710	SLEEVE	4		12-8				
4	91810130240	FASTENER	20						
6	80192473010	SCREW,MACHINE	6		M3X10				

AT-146-2 42095200060 UPPER

Pos No.	Parts No	Parts Name	Qty	Unit	Technical Data	Serial No (Start)	Serial No (End)	Rem
1	42738200100	SWITCH ASSY	1					
2	82100002563	LAMP,LICENSE	1					
3	90101208016	BOLT	2		M8X16			
4	90302040801	WASHER,SPRING	2		8			
5	91810130230	FASTENER	5					
6	42738200200	SUPPORT	1					
7	90201200500	NUT	1		M5			
8	42738200010	PLATE,NAME	1					
9	90303070501	WASHER,PLAIN	1		5			
10	90303070801	WASHER,PLAIN	2		8			
11	90201200800	NUT	2		M8			
12	82197518119	CAP (PLUS ONE MFG./BLACK)	1					
	82197518114	CAP (MATSUSHITA/BLACK)	1					
37	82105220112	SWITCH,TOGGLE	1					
51	82100000783	BULB,LAMP	1		24V 12W			

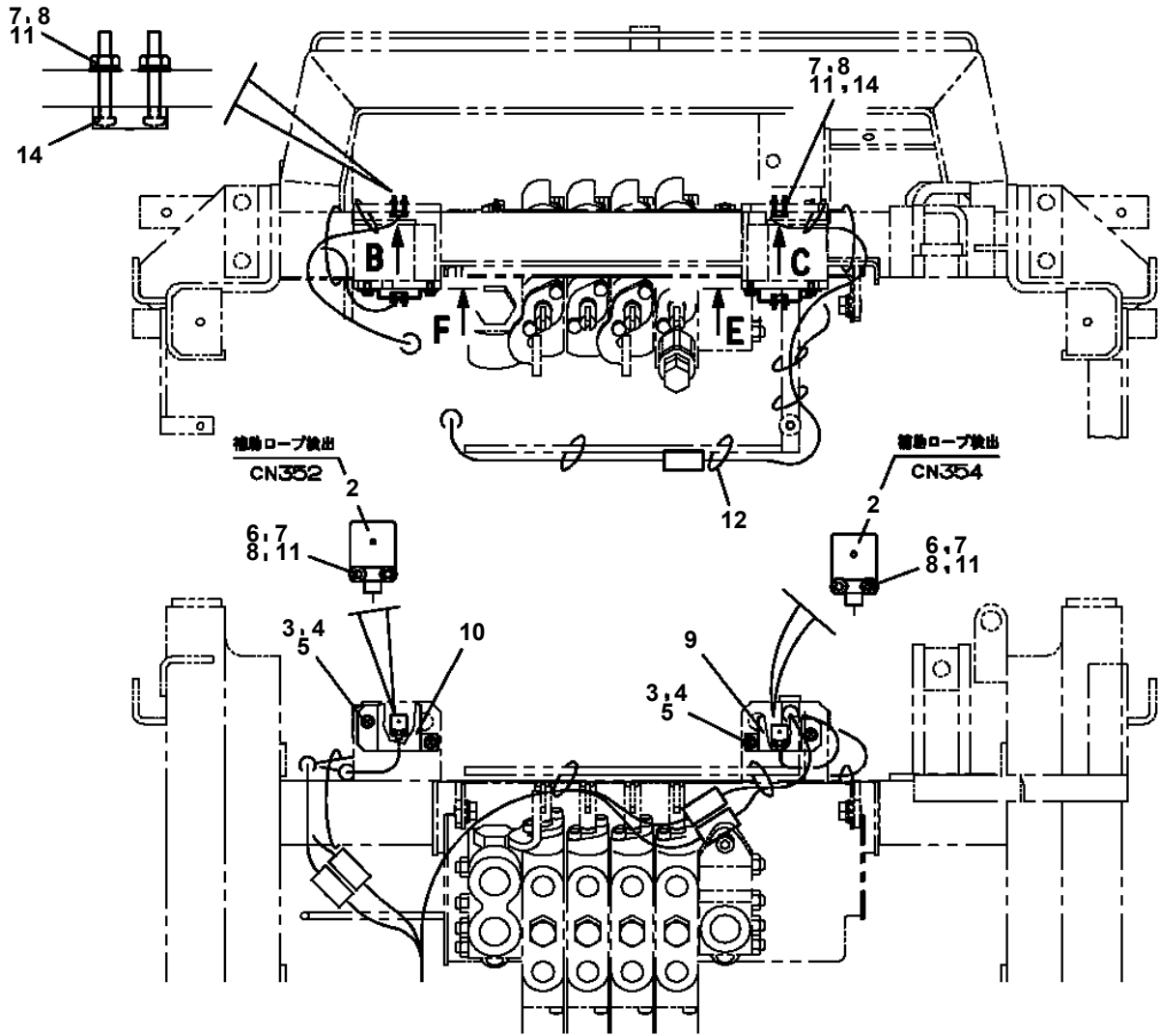
AT-146-2 42095200060 UPPER

Pos No.	Parts No	Parts Name	Qty	Unit	Technical Data	Serial No (Start)	Serial No (End)	Re
2	90101206010	BOLT	2		M6X1.0			
3	90302040601	WASHER,SPRING	6		6			
4	82100002006	CLAMP	4		WR10			
5	90201200600	NUT	4		M6			
6	42738260100	HARNESS	1					
7	91810130240	FASTENER	10					
8	42475560010	PLATE,NAME	1					
21	42738261100	COVER	1					
22	82444054001	LAMP	1					
23	80175804016	SCREW,MACHINE	2		M4X16			
24	90201500400	NUT	2		M4			
25	90302510401	WASHER,SPRING	2		4			
26	82100000182	INSULATOR	1					
27	42736070100	SWITCH ASSY (WITH HARNESS)	1					
28	82197518114	CAP (MATSUSHITA/BLACK)	1					
	82197518119	CAP (PLUS ONE MFG./BLACK)	1					
41	82105220112	SWITCH,TOGGLE	1					

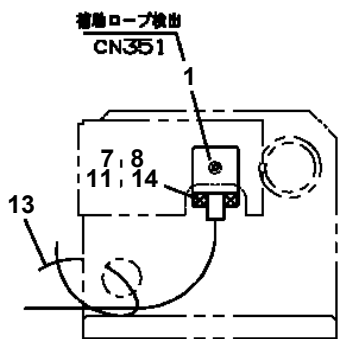
AT-146-2 42095200060 UPPER

Pos No.	Parts No	Parts Name	Qty	Unit	Technical Data	Serial No (Start)	Serial No (End)	Re
1	82199444326	LAMP (YELLOW) <24V 12W)	4					
2	42737850100	GUARD	4					
3	42736070100	SWITCH ASSY (WITH HARNESS)	1					
4	42502371100	PLATE,NAME	1					
5	82197518119	CAP (PLUS ONE MFG./BLACK)	1					
	82197518114	CAP (MATSUSHITA/BLACK)	1					
6	90186206016	BOLT,FLANGE	16		M6X16			
7	90280200600	NUT,FLANGE	16		M6			
31	82105220112	SWITCH,TOGGLE	1					

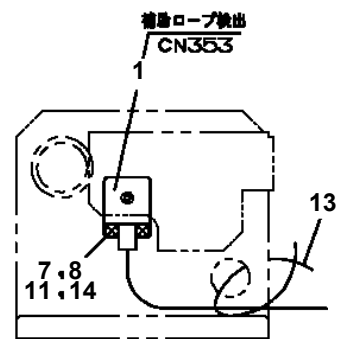
**AT-146-2 42095200060 UPPER
PN1140118-01 SWITCH,DETECTOR**



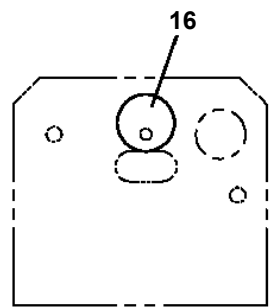
A



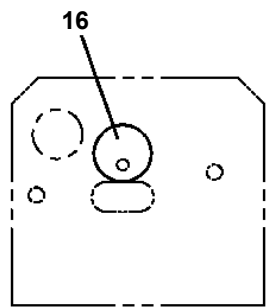
B



C



F

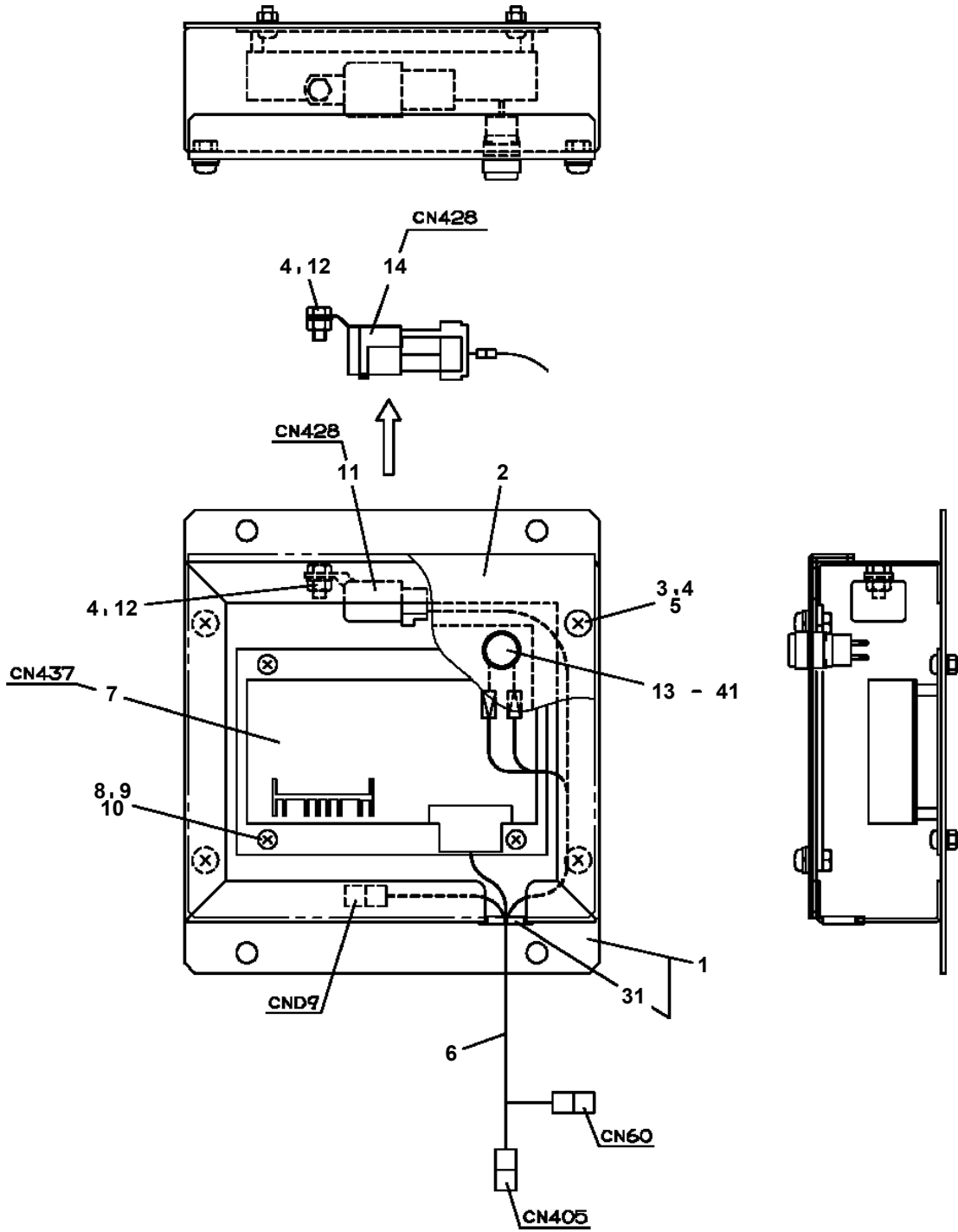


E

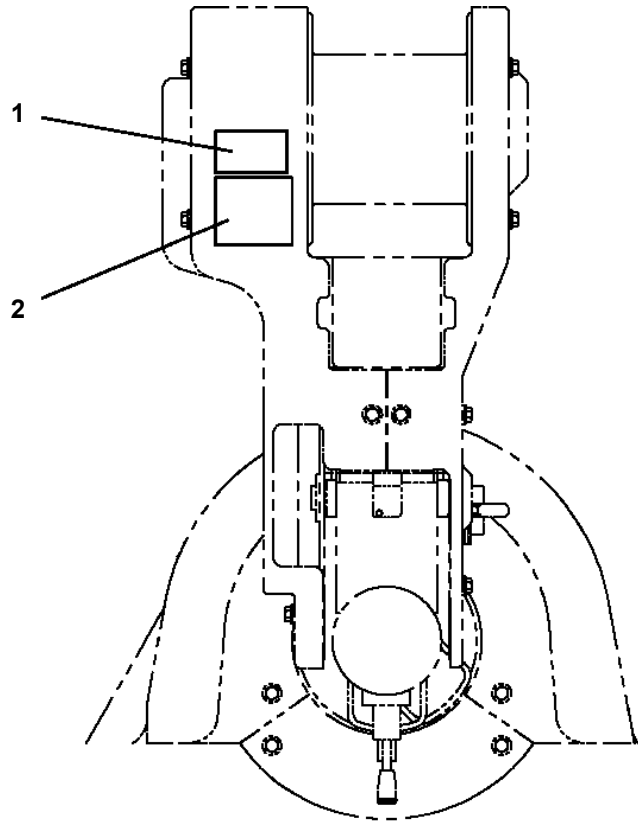
AT-146-2 42095200060 UPPER

Pos No.	Parts No	Parts Name	Qty	Unit	Technical Data	Serial No (Start)	Serial No (End)	Rema
5	36160017550	HANDLE	1					
6	36160655020	SHAFT	1					
7	36160017560	WASHER,PLAIN	1					
10	36160017590	PLATE (CONTACT)	1					
50	36160370000	REEL,CORD (FOR EARTHING)	1					

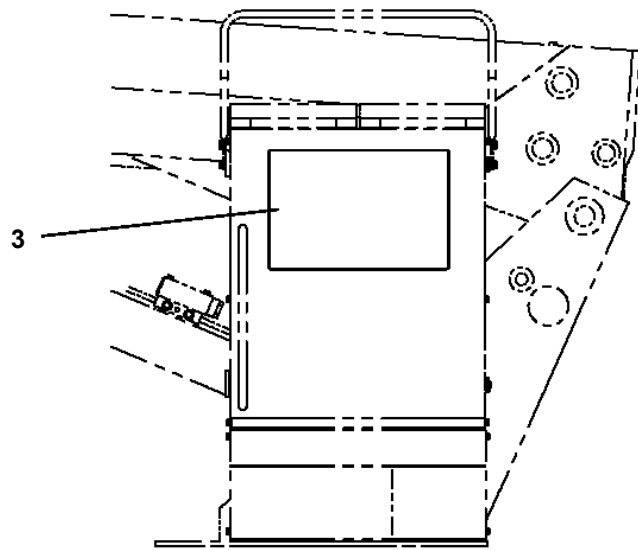
**AT-146-2 42095200060 UPPER
PN1370169-01 BATTERY**



**AT-146-2 42095200060 UPPER
PO1013350-00 PLATE ASSY,NAME (WINCH)**

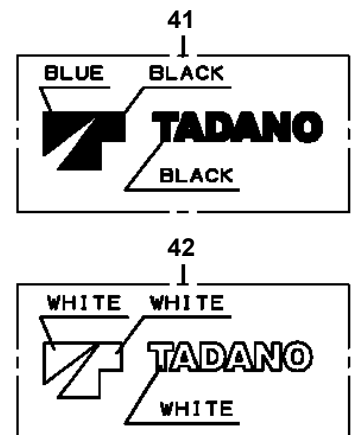
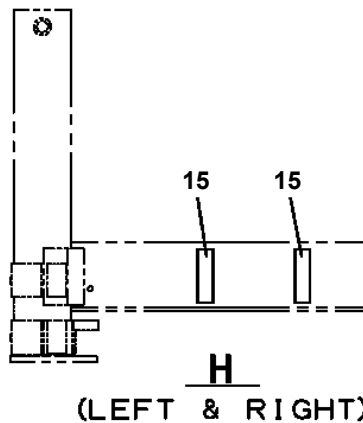
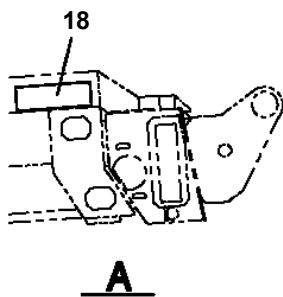
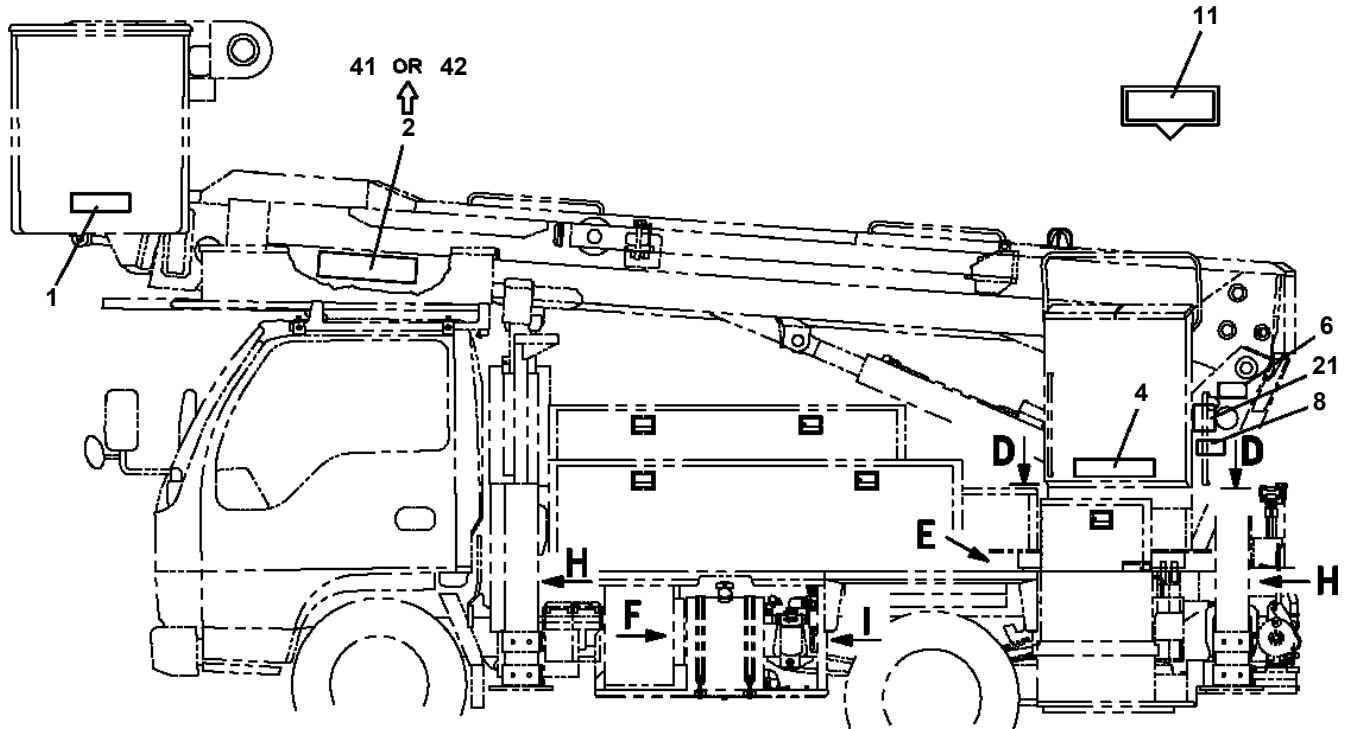
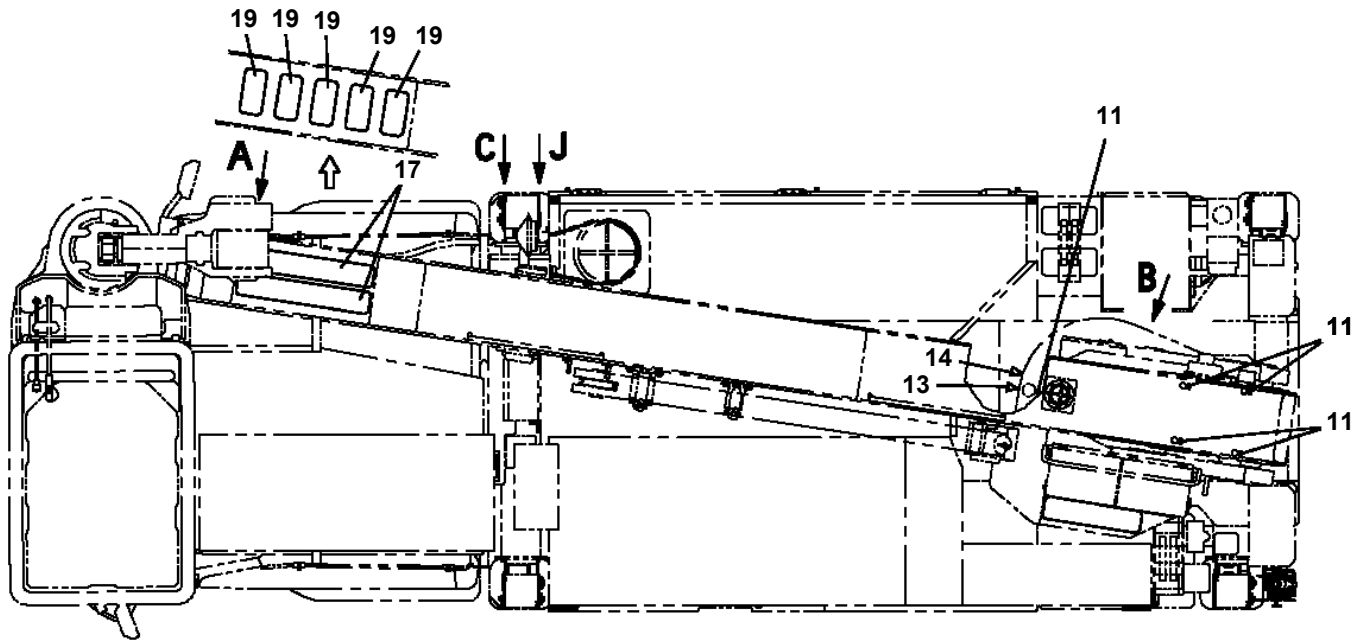


WINCH



SWING FRAME

**AT-146-2 42095200060 UPPER
PO1013895-03 PLATE ASSY,NAME**



AT-146-2 42095200060 UPPER

Pos No.	Parts No	Parts Name	Qty	Unit	Technical Data	Serial No (Start)	Serial No (End)	Remarks	Pages
1	37002227800	PLATE,CAUTION	1						

AT-146-2 42095200060 UPPER

Pos No.	Parts No	Parts Name	Qty	Unit	Technical Data	Serial No (Start)	Serial No (End)	Remarks
5	82182819823	DIODE	1		1.5A			
9	34354781710	RELAY (WITH BRACKET)	1					
100	34354781720	RELAY (WITH HARNESS)	1					

AT-146-2 42095200060 UPPER

Pos No.	Parts No	Parts Name	Qty	Unit	Technical Data	Se
1	42470980100	SWITCH,PUSH	1			
2	82100002220	CABLE	3	M		
3	82100002173	CONNECTOR	1			
10	42470983000	SWITCH BOX (ELECTRIC BOOSTER, 3M,NANABOSI,SINKOU DENKI)	1			

AT-146-2 42095200060 UPPER

Pos No.	Parts No	Parts Name	Qty	Unit	Technical Data	Serial No (Start)	Serial No (End)
1	42470341000	ACCESSORIES (BUCKET INNER MAT)	1				

AT-146-2 42095200060 UPPER

Pos No.	Parts No	Parts Name	Qty	Unit	Technical Data	Serial No (Start)	Serial No (End)
1	42460012530	WEDGE (STOPPER FOR TIRE/WAZUMI)	1				

AT-146-2 42095200060 UPPER

Pos No.	Parts No	Parts Name	Qty	Unit	Technical Data	Serial No (Start)	Serial No (End)	Remarks	Pages
1	42698131000	SUPPORT	1						
2	42698132000	SUPPORT	1						
3	42697441000	SUPPORT	1						
4	42738851200	SUPPORT	1						
5	90186208020	BOLT,FLANGE	8		M8X20				
6	90280200800	NUT,FLANGE	5		M8				
7	37000547660	PLATE	10		T=2.3				
8	90186208016	BOLT,FLANGE	8		M8X16				
9	42696070100	SUPPORT	4						
10	37000576090	PLATE	3						
11	82464186721	HINGE	3						
12	90101208016	BOLT	15		M8X16				
13	90302040801	WASHER,SPRING	15		8				
14	37000576580	PLATE	3						
15	82400000393	INSULATOR	3						
16	80172804016	SCREW,MACHINE	3		M4X16				
17	90201500400	NUT	3		M4				
18	90302510401	WASHER,SPRING	3		4				
19	42696900100	SUPPORT	1						
42	82466186102	CATCH	2						

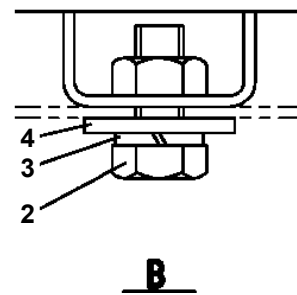
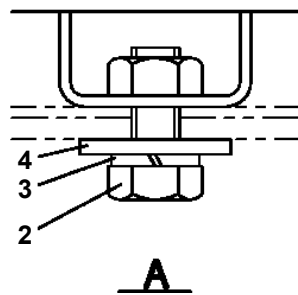
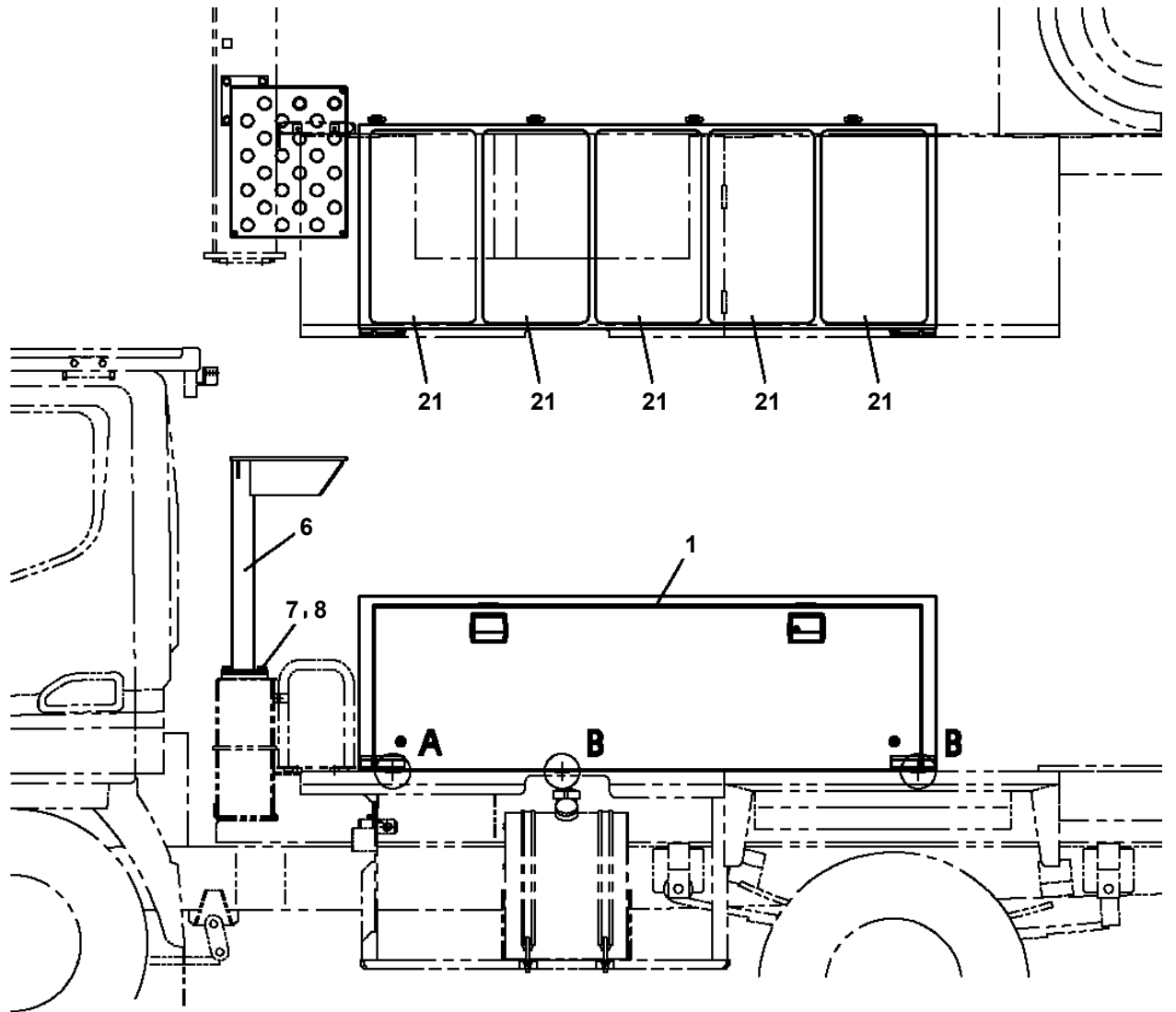
AT-146-2 42095200060 UPPER

Pos No.	Parts No	Parts Name	Qty	Unit	Technical Data	Serial No (Start)	Serial No (End)
1	42738400000	WOOD BLOCK (WITH RUBBER,T=100)	1				

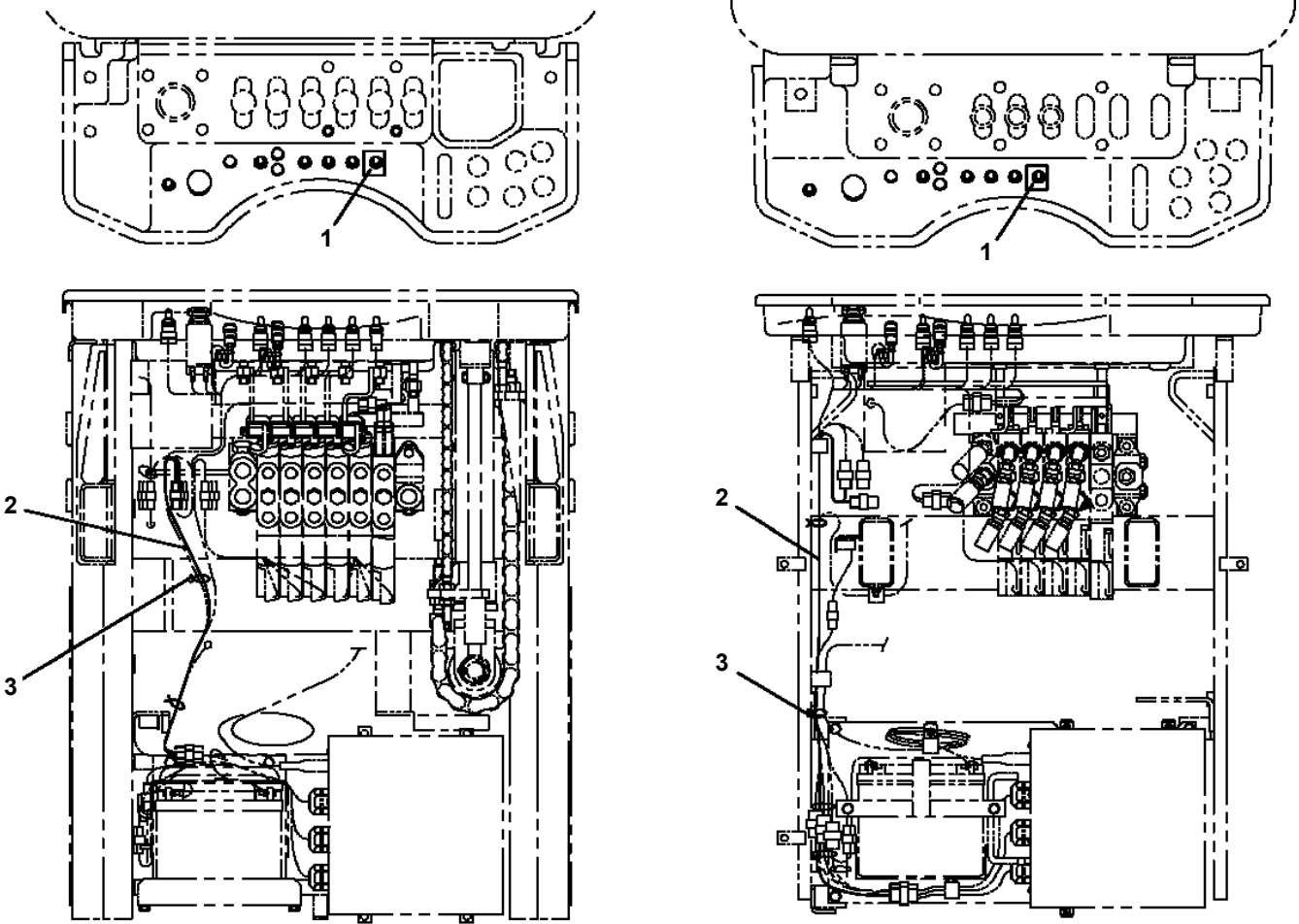
AT-146-2 42095200060 UPPER

Pos No.	Parts No	Parts Name	Qty	Unit	Technical Data	Serial No (Start)	Serial No (End)	Rem
3	82400000333	RING	4				229695	
	82400000598	RING	4			229696		
13	42831401500	SPRING	1					
14	80172304008	SCREW,MACHINE	4		M4X8			
15	90303070401	WASHER,PLAIN	4		4			
16	42420044050	SPRING	1					
18	82400000154	HINGE	3					
31	82400000357	CATCH	2					
33	80181306010	SCREW,MACHINE	4		M6X10			
34	90302040601	WASHER,SPRING	4		6			
35	82400000345	CHAIN (QTY=L)	1	M			229465	
	82400000575	CHAIN	1	M		229466		
50	42831401000	BOX,TOOL (BOOM,LEFT SIDE)	1					

**AT-146-2 42095200060 UPPER
PX1350778-00 BOX, TOOL (LEFT)**



**AT-146-2 42095200060 UPPER
PX1390709-00 MODIFICATION PARTS**



JU・U仕様

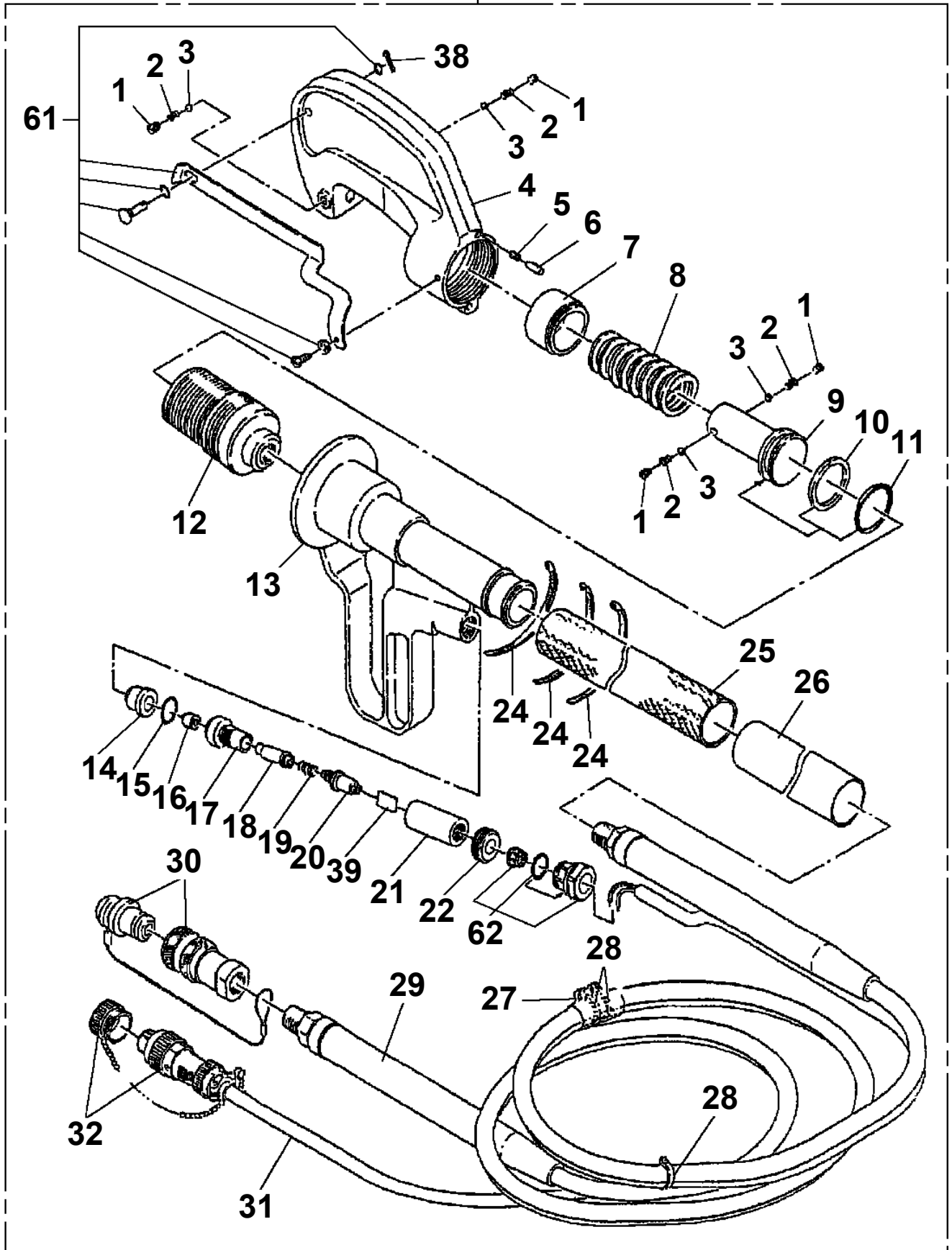
J・STD仕様

AT-146-2 42095200060 UPPER

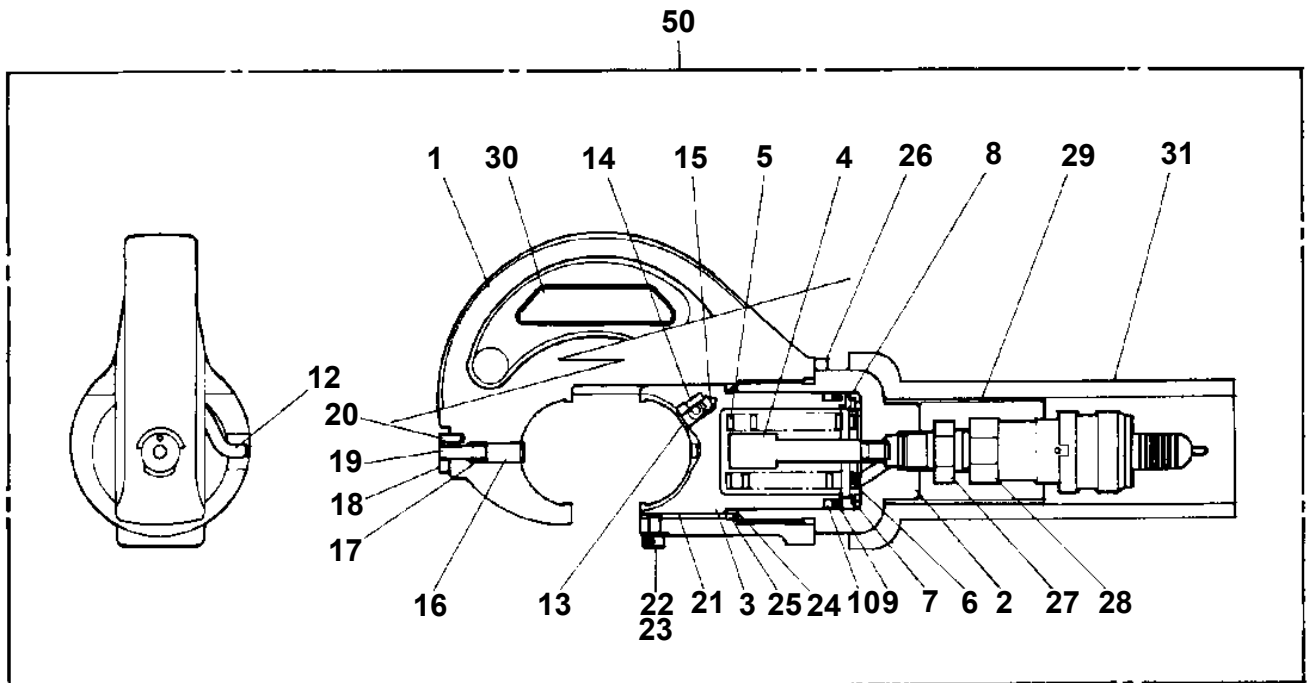
Pos No.	Parts No	Parts Name	Qty	Unit	Technical Data	Serial No (Start)	Serial No (End)	Remarks	Pages
1	42500192000	SUPPORT	1						
2	90101208016	BOLT	10		M8X16				
3	90302040801	WASHER,SPRING	10		8				
4	90303070801	WASHER,PLAIN	10		8				
5	42500191100	SUPPORT	1						
6	90201200800	NUT	2		M8				
7	80620210160	PIN,SNAP	1						
8	42310040050	ROPE (TETORON)	2						
9	82100001735	SLEEVE	3						
21	42500193100	SUPPORT	3						
22	37000571480	PLATE	4						

AT-146-2 42095200060 UPPER
PY1050001-01 CLAMP HEAD (IZUMI 8TON,2.5M)

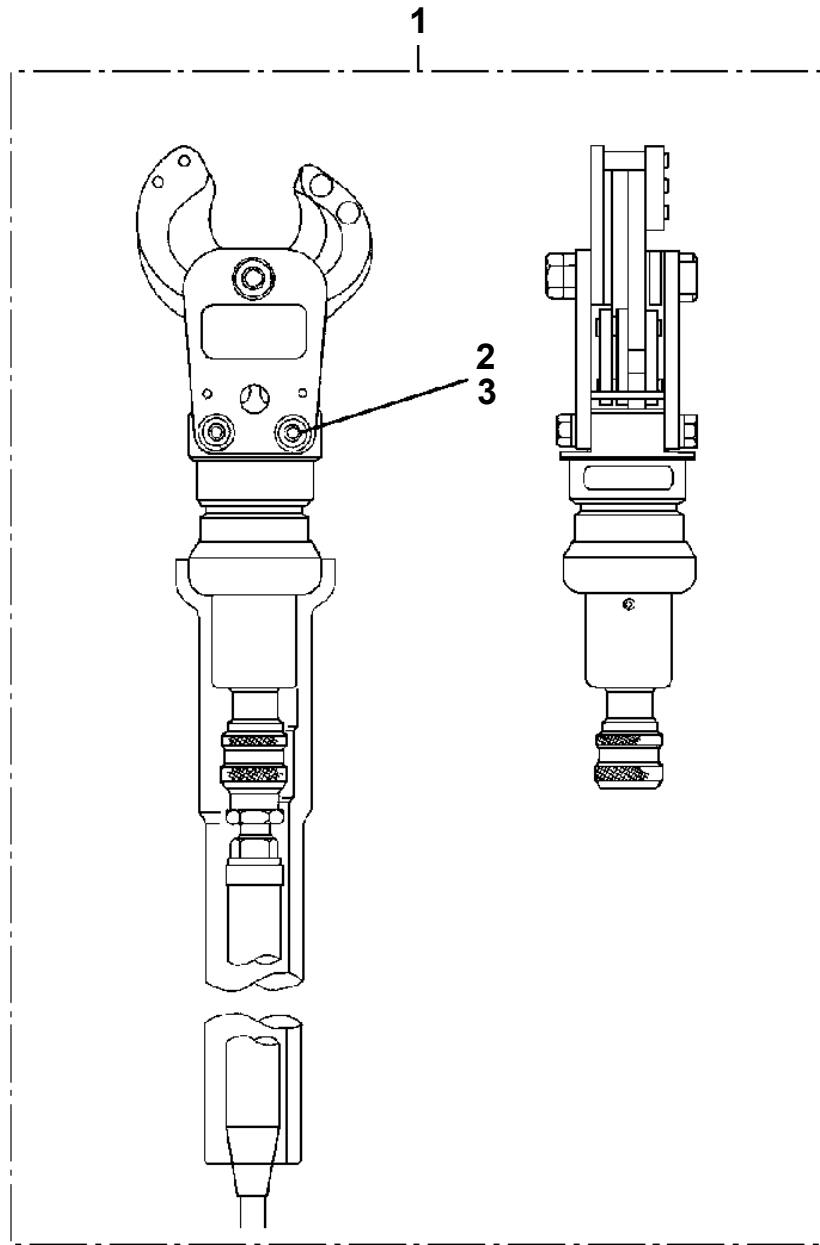
100



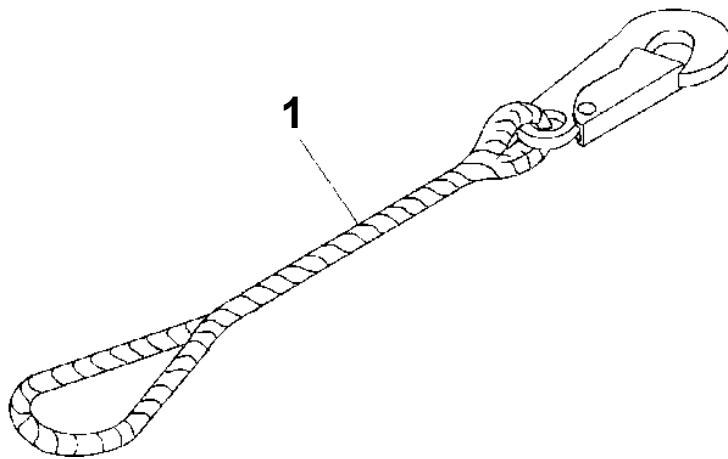
AT-146-2 42095200060 UPPER
PY1050007-00 CLAMP HEAD (SANWA,12TON)



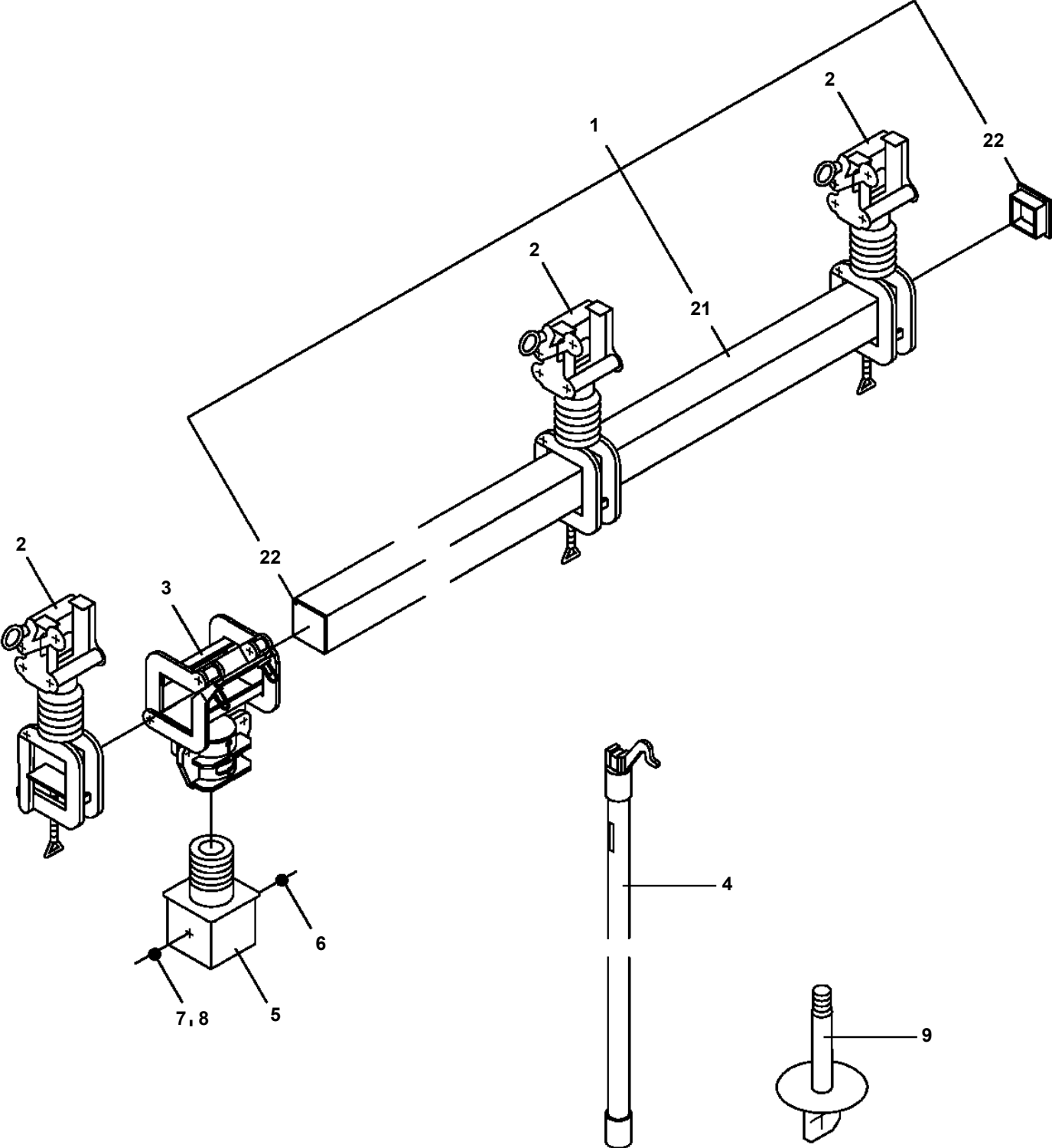
**AT-146-2 42095200060 UPPER
PY1060000-01 CUTTER HEAD (IZUMI 6.4TON AIR)**



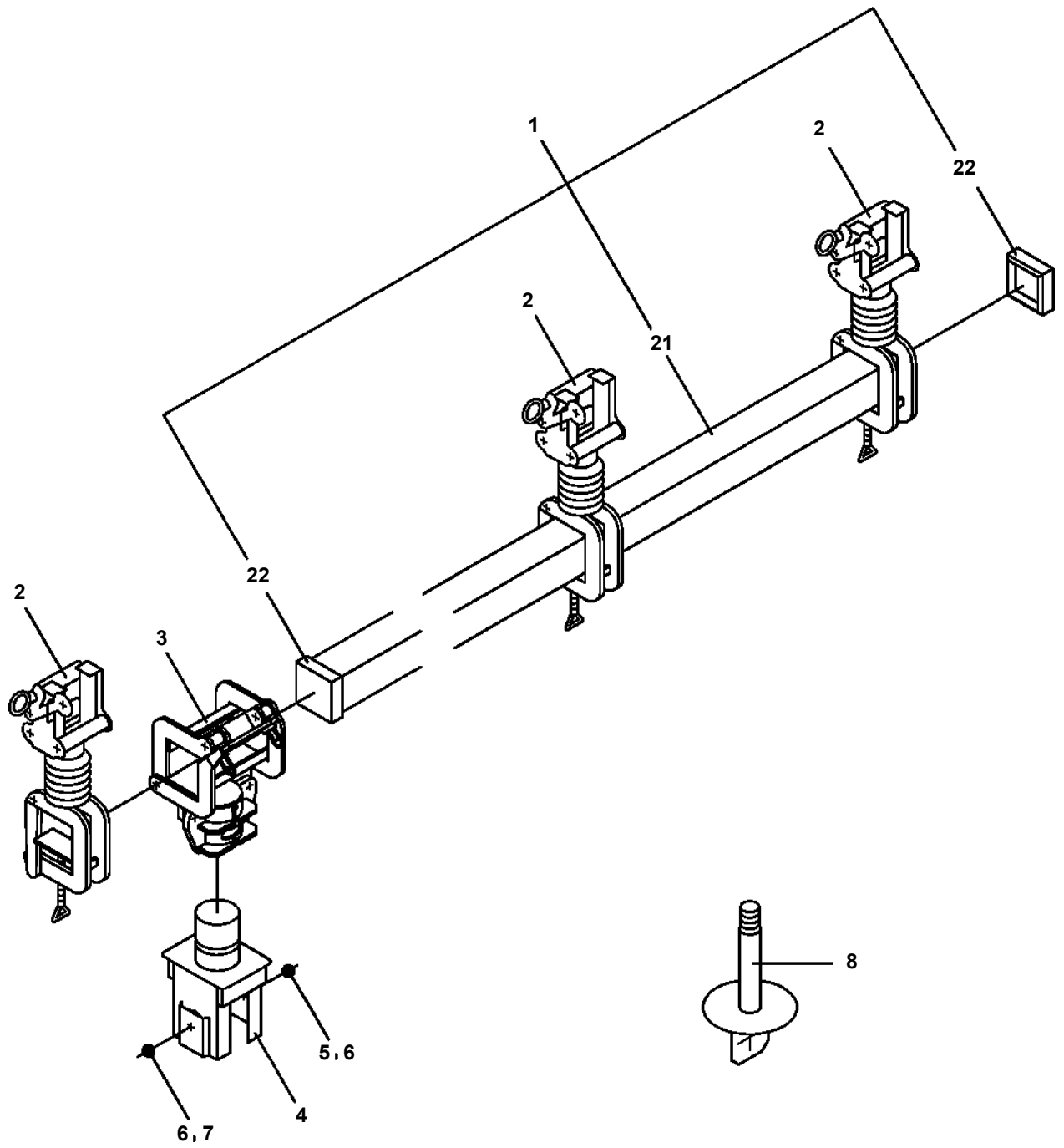
**AT-146-2 42095200060 UPPER
PY1070001-00 ROPE (SAFETY,1.5M,WITH HOOK)**



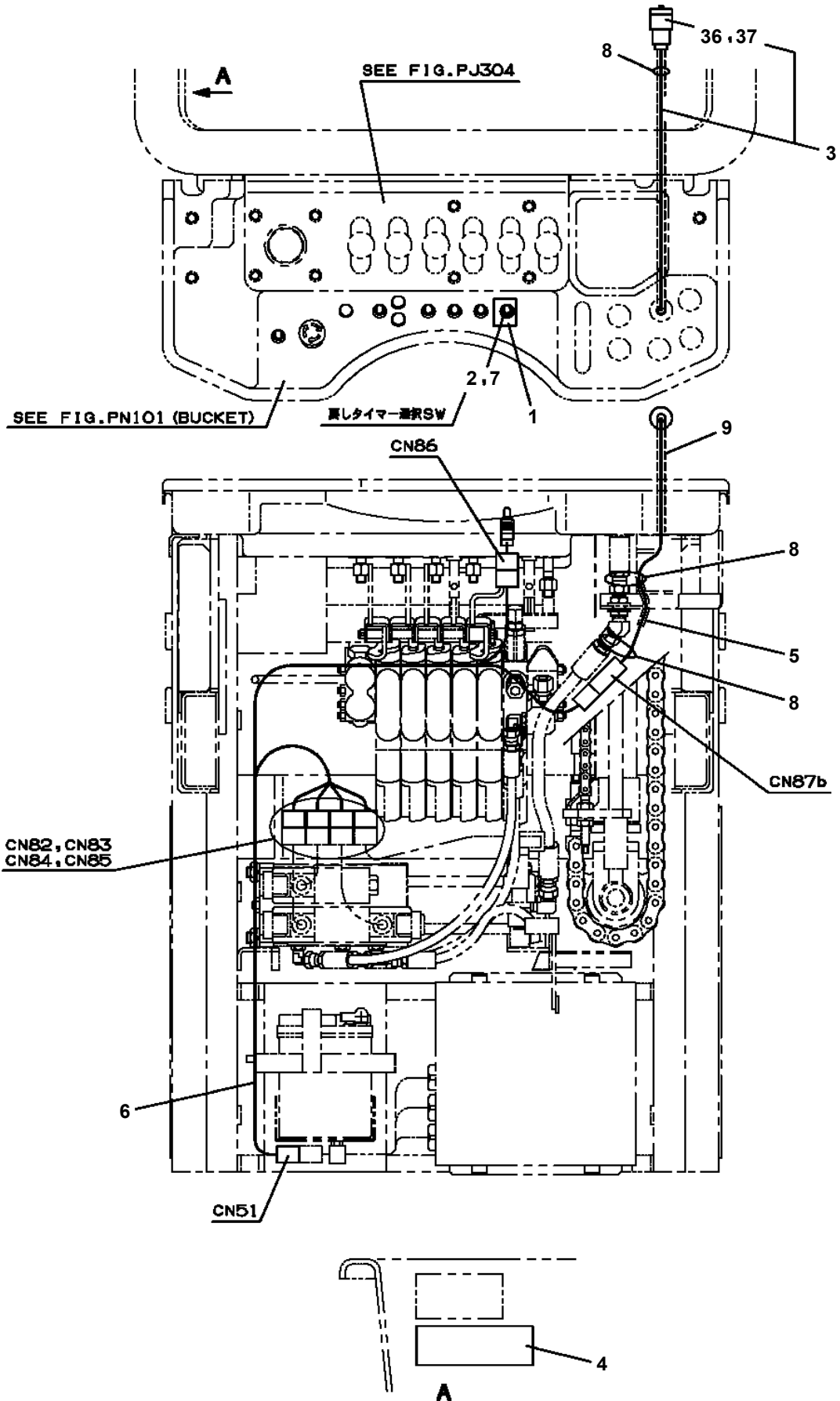
**AT-146-2 42095200060 UPPER
PY1080016-00 ARM**



**AT-146-2 42095200060 UPPER
PY1080022-00 ARM**



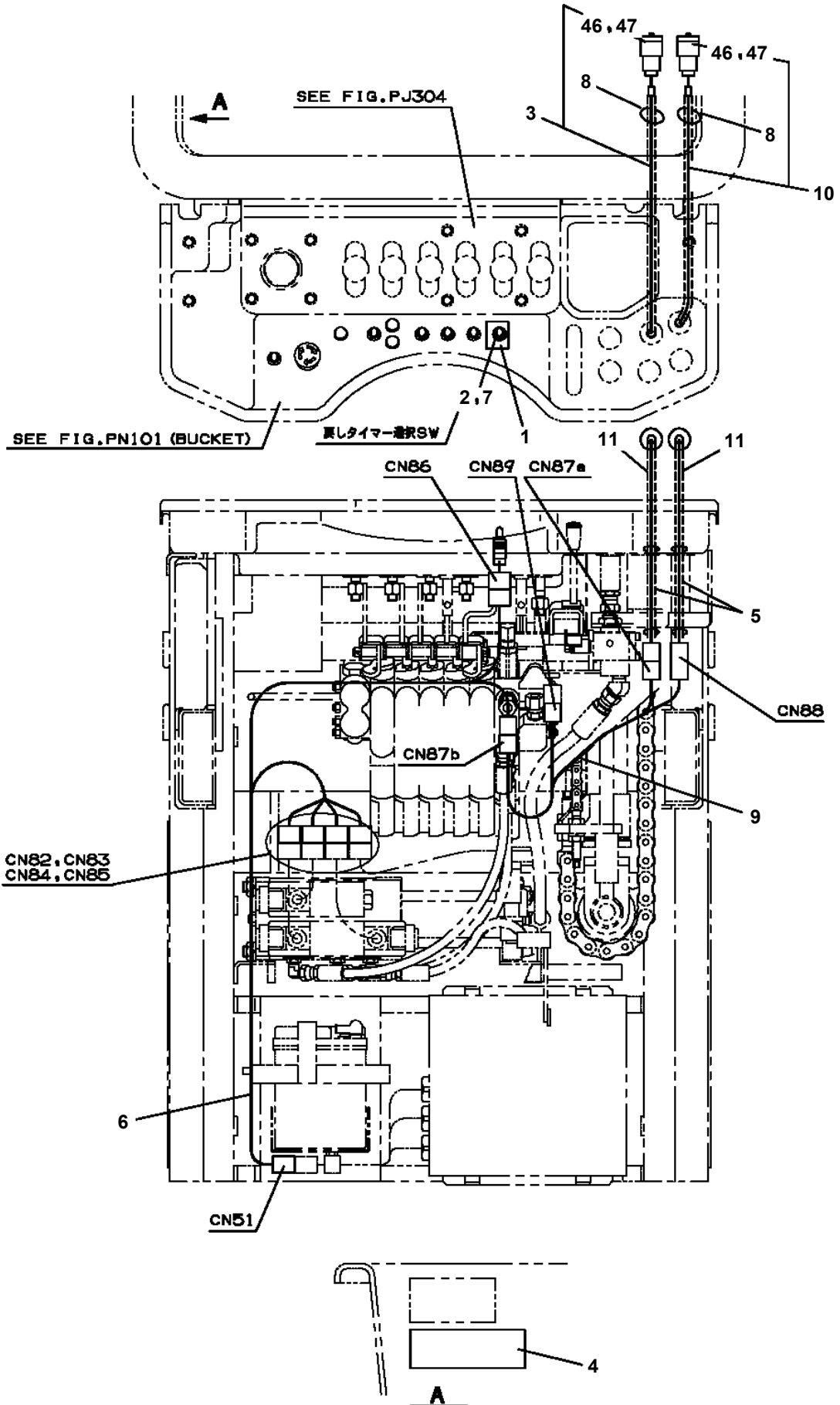
AT-146-2 42095200060 UPPER
PY1160085-02 BOOSTER (WIRING/ELECTRIC)



AT-146-2 42095200060 UPPER

Pos No.	Parts No	Parts Name	Qty	Unit	Technical Data	Serial No (Start)	Serial No (End)	Remarks
1	90101208016	BOLT	4		M8X16			
2	90302040801	WASHER,SPRING	5		8			
3	36646770000	VALVE,SOLENOID	1					
4	90172105045	BOLT,HEXAGON SOCKET	8		M5X45			
5	36053020000	BOOSTER	1					
6	36646780000	VALVE,SOLENOID	1					
7	80430620400	JOINT	4					
9	91810132530	FASTENER	3					
10	37002443220	HOSE	1		L=570			
11	37000926900	JOINT (WITH O-RING)	1		L,G3/8-G1/4			
12	42340190090	ORIFICE	1		1.2			
13	82100001412	TUBE,SPIRAL	1	M	SE-12BK			
14	37002415780	HOSE	1		L=530			
15	91002801100	O-RING	1		1B P11			
16	37002470560	HOSE	1		L=1450			
17	80481302025	JOINT	1		L,G1/4-G1/4			
20	37000601310	CUSHION	2					
21	37000601010	CLAMP	1					
22	90101208035	BOLT	1		M8X35			
23	90201200800	NUT	1		M8			
31	91002801100	O-RING	4		1B P11			
41	91002801400	O-RING	1		1B P14			

**AT-146-2 42095200060 UPPER
PY1160100-02 BOOSTER (WIRING/ELEC.SELECTOR)**



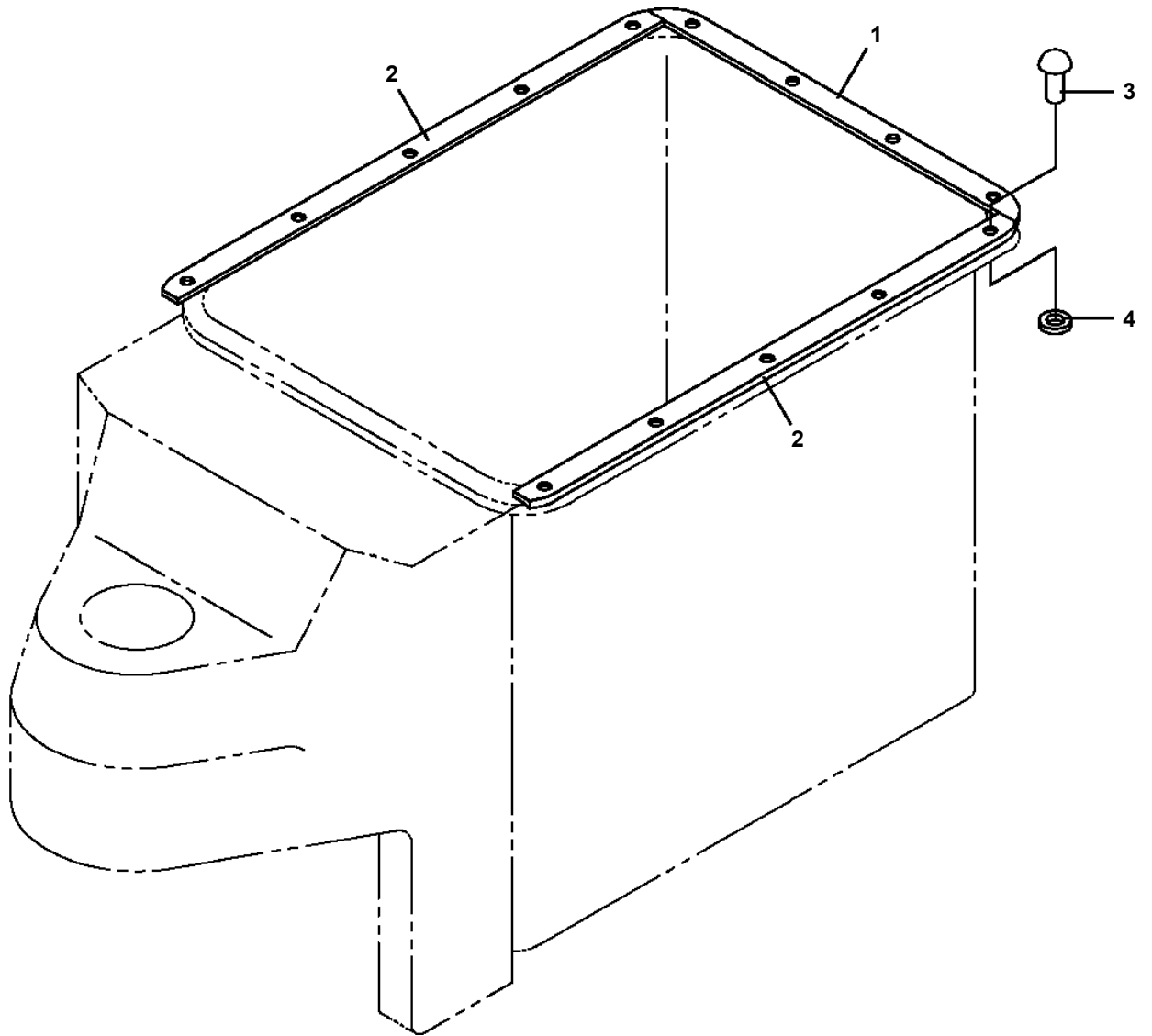
**AT-146-2 42095200060 UPPER
PY1160153-00 BOOSTER (ELEC.,SANWA)**

1	ブースタ BOOSTER
2	ブースタ (ハイセン) BOOSTER (ELEC.)
3	ブースタ (ハイカン) BOOSTER (PIPING)

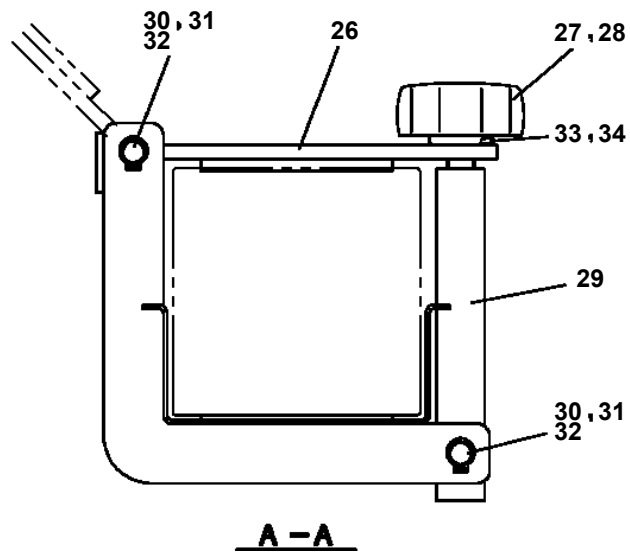
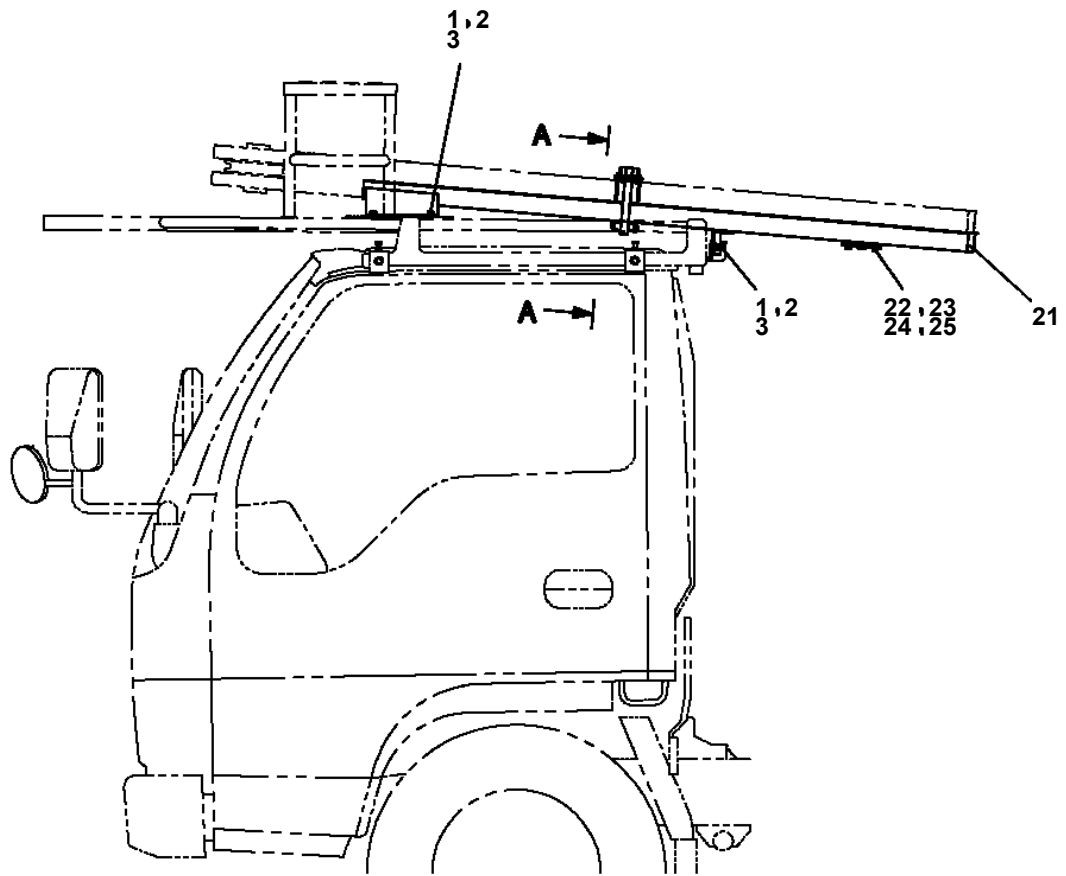
**AT-146-2 42095200060 UPPER
PY1500028-00 SELECTOR,BOOSTER (ELEC.,NANABOSHI)**

1	ブースタ BOOSTER
2	ブースタ (ハイセン) BOOSTER (ELEC.)
3	ブースタ (ハイカン) BOOSTER (PIPING)

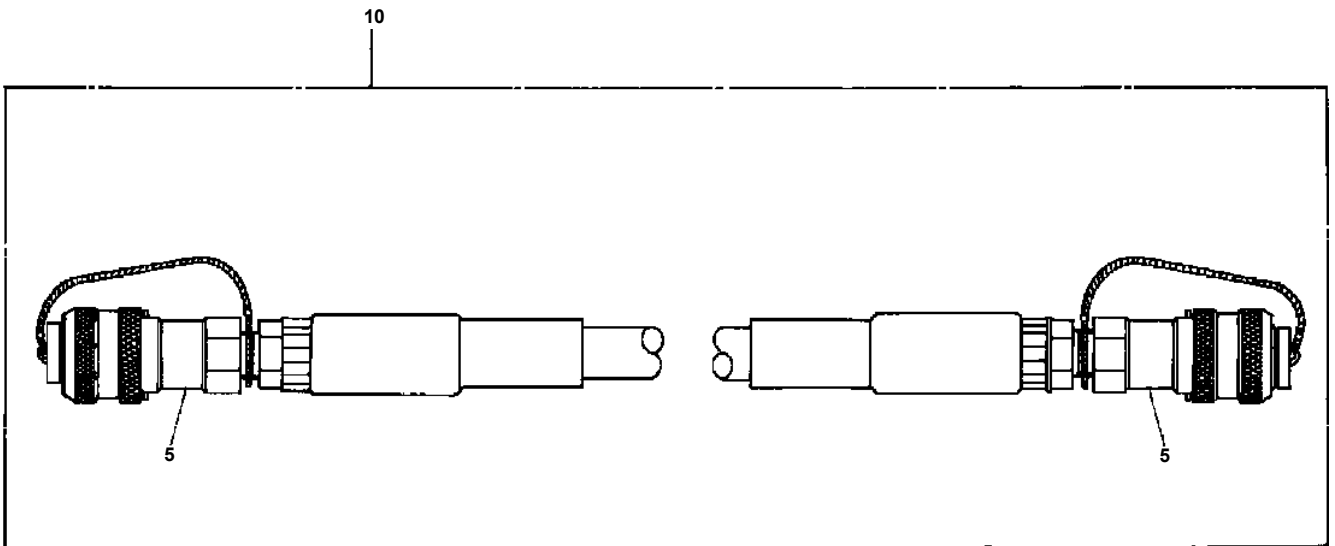
**AT-146-2 42095200060 UPPER
PY1540007-00 COVER,BUCKET (INNER CASE)**



**AT-146-2 42095200060 UPPER
PY1550032-00 TOOL SUPPORT (JIB STOWING)**

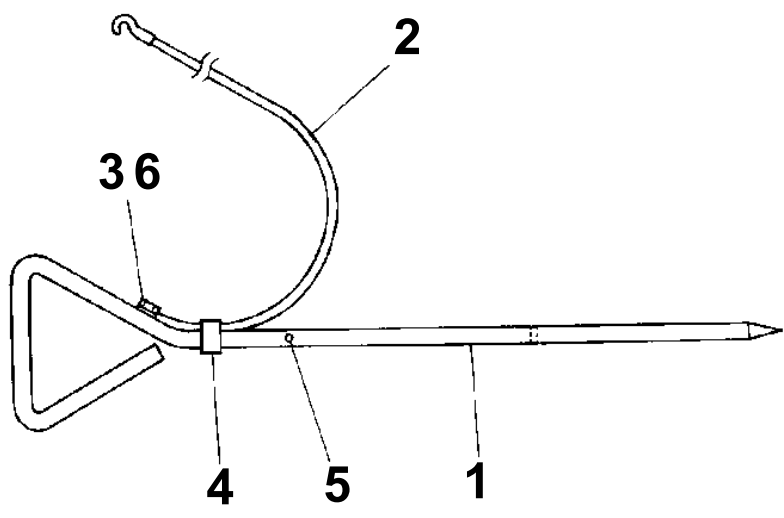


**AT-146-2 42095200060 UPPER
PY1590007-00 HOSE,BOOSTER (FEMALE-FEMALE,5M)**



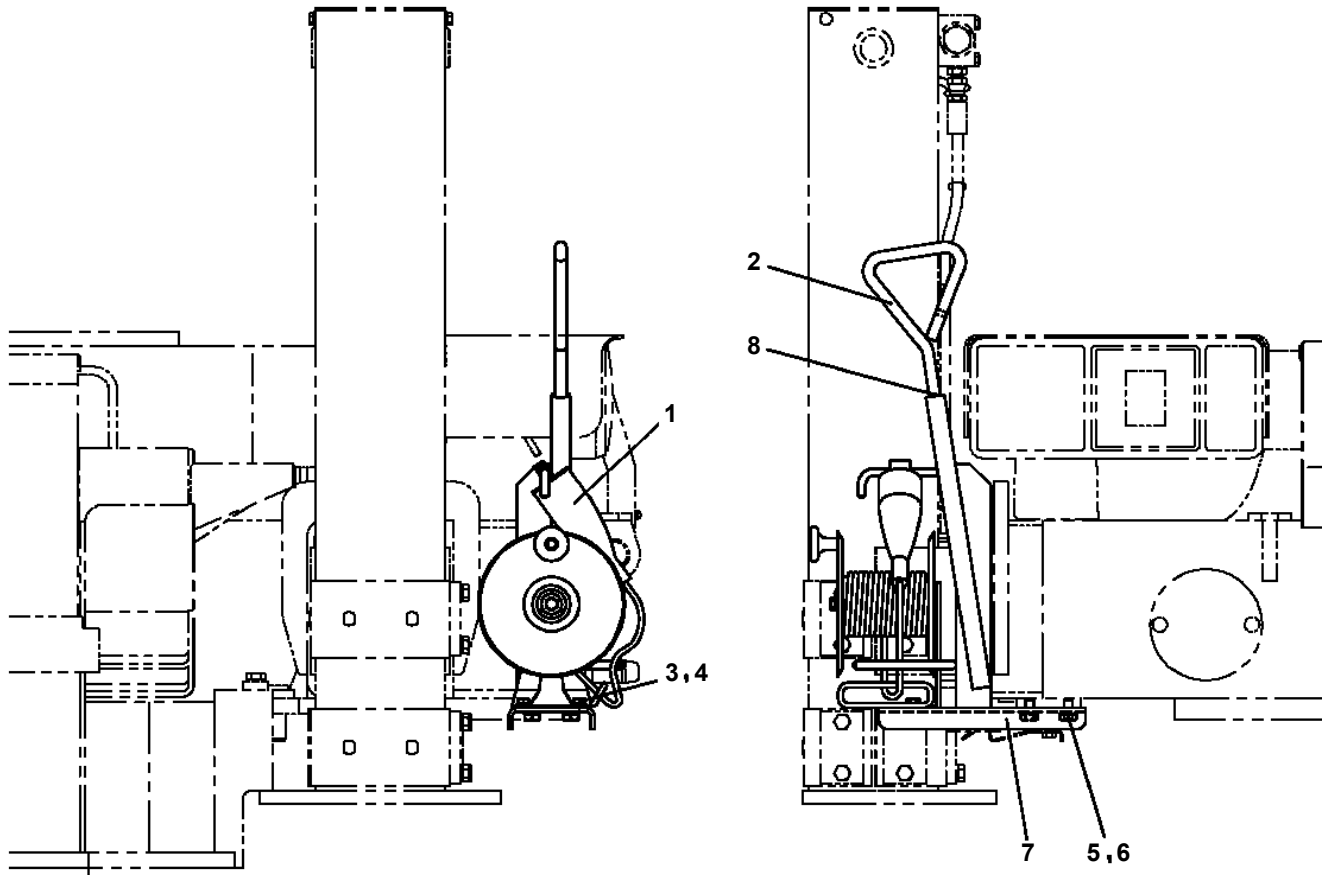
AT-146-2 42095200060 UPPER
PY1650030-00 EARTHING DEVICE

ASSEMBLY NAME EARTHING DEVICE

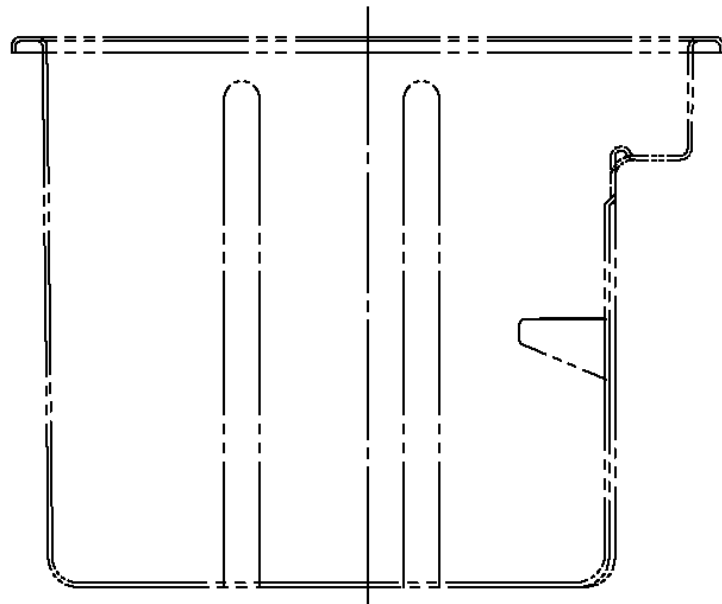
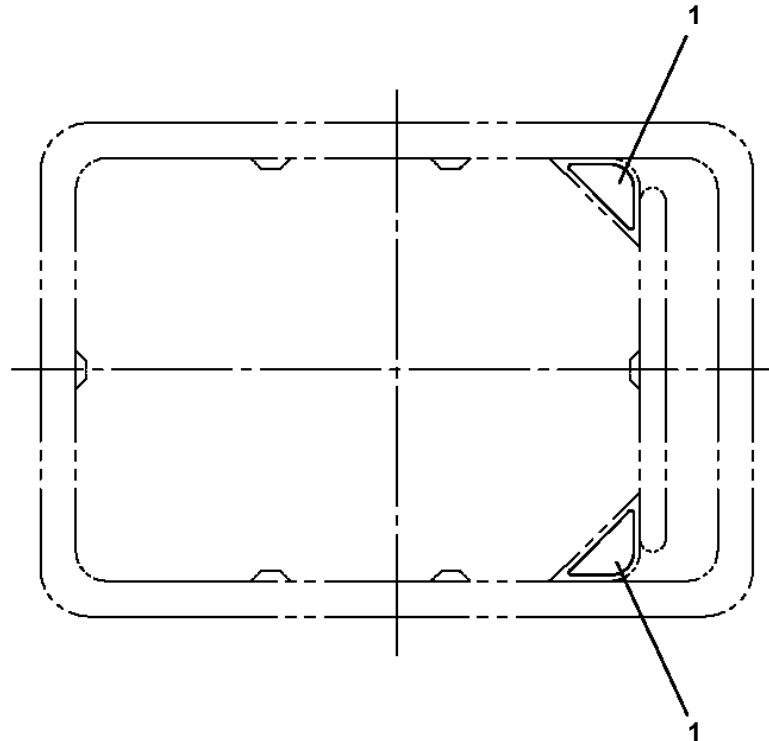


**AT-146-2 42095200060 UPPER
PY1650111-00 EARTHING DEVICE**

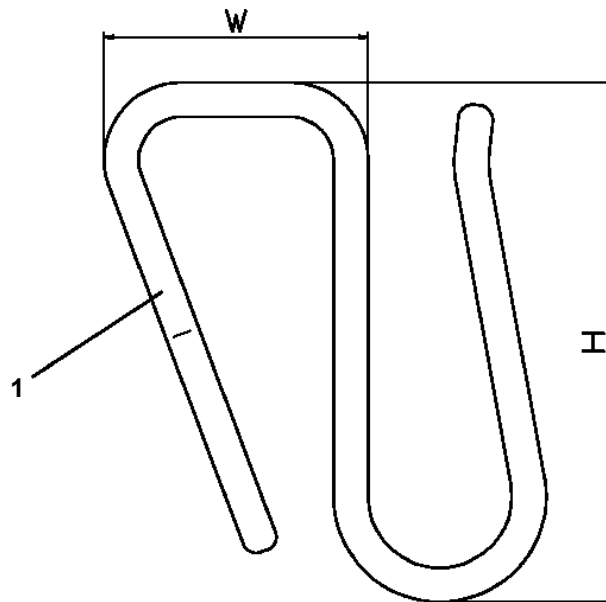
FRONT ←



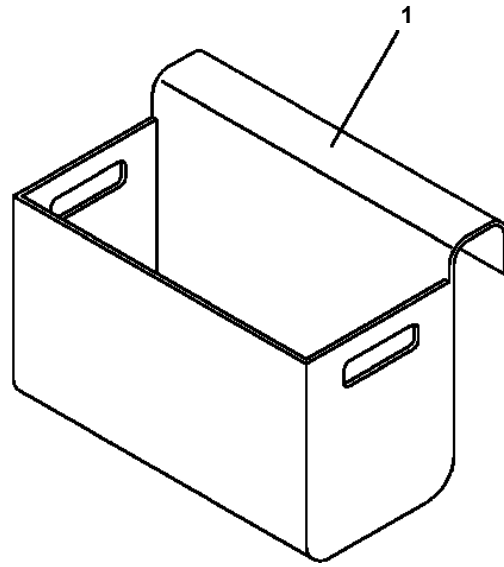
**AT-146-2 42095200060 UPPER
PY1760004-00 STEP,BUCKET (NON SLIP)**



**AT-146-2 42095200060 UPPER
PY1790005-01 HANGER (FOR BUCKET,FRP)**



**AT-146-2 42095200060 UPPER
PY2120005-00 BOX,TOOL (FOR BUCKET,FRP)**



CLICK HERE TO **DOWNLOAD** THE COMPLETE MANUAL

- Thank you very much for reading the preview of the manual.
- You can download the complete manual from: www.heydownloads.com by clicking the link below



- Please note: If there is no response to CLICKING the link, please download this PDF first and then click on it.

CLICK HERE TO **DOWNLOAD** THE COMPLETE MANUAL