

AT-80-3 42006300002 UPPER

PD2000193-00 SWING UNIT

PG2000252-00 BOOM UNIT

PH1000550-00 SAFETY DEVICES (MOTION CONTROLLER)

PJ3000492-02 BUCKET SYSTEM

PK2000915-00 FRAME UNIT

PO1000171-00 INDICATION PLATES

PW1000118-00 ACCESSORIES & TOOLS

PY1001241-06 OPTIONS,1

PY2000184-04 OPTIONS,2

ASSEMBLY

CLICK HERE TO **DOWNLOAD** THE COMPLETE MANUAL

- Thank you very much for reading the preview of the manual.
- You can download the complete manual from: www.heydownloads.com by clicking the link below



- Please note: If there is no response to CLICKING the link, please download this PDF first and then click on it.

CLICK HERE TO **DOWNLOAD** THE COMPLETE MANUAL

AT-80-3 42006300002 UPPER

| Pos No. | Parts No | Parts Name | Qty | Unit | Technical Data | Serial No (Start) | Serial No (End) | Rem |
|---------|----------|----------------------------|-----|------|----------------|-------------------|-----------------|-----|
| 1 | (*****) | FRAME | 1 | | | | | |
| 2 | (*****) | OUTRIGGER | 1 | | | | | |
| 3 | (*****) | OPE.ASSY,CONT.VALVE | 1 | | | | | |
| 4 | (*****) | PIPING,OUTRIGGER | 1 | | | | | |
| 5 | (*****) | ELEC.ASSY (FRAME) | 1 | | | | | |
| 6 | (*****) | BOOM REST | 1 | | | | | |
| 7 | (*****) | TANK,OIL (MOUNT) | 1 | | | | | |
| 8 | (*****) | ELEC.ASSY (LOWER CONTROLS) | 1 | | | | | |

AT-80-3 42006300002 UPPER

PH5031023-00 HARNESS
PH5031327-00 HARNESS (L=3400)
PH5031328-00 HARNESS (L=8400)
PH5031329-00 HARNESS (L=8400)
PH5032117-00 HARNESS
PH5032121-00 HARNESS
PH5034138-00 HARNESS
PH5034170-00 HARNESS
PH5034172-00 HARNESS
PI1140133-01 VALVE,CHECK
PI1140227-00 VALVE,CHECK
PI1240047-00 VALVE
PI1250137-00 VALVE,COUNTERBALANCE
PI5170009-00 INTERLOCK ASSY (RUNAWAY PREVENTION)
PI5170010-00 INTERLOCK ASSY(RUNAWAY PREVENTION)
PI5170011-00 INTERLOCK ASSY (RUNAWAY PREVENTION)
PI5170012-00 INTERLOCK ASSY (RUNAWAY PREVENTION)
PI5170013-00 INTERLOCK ASSY (RUNAWAY PREVENTION)
PI5170014-00 INTERLOCK ASSY (RUNAWAY PREVENTION)
PI5170015-00 INTERLOCK ASSY (RUNAWAY PREVENTION)
PI5170016-00 INTERLOCK ASSY (RUNAWAY PREVENTION)
PI5170038-00 INTERLOCK ASSY (RUNAWAY PREVENTION)
PJ3010323-00 BUCKET (WIDE-FLOOR,WHITE,WITH HOLE)
PJ3010324-00 BUCKET (WIDE-FLOOR,WHITE,WITHOUT HOLE)
PJ3010357-00 BUCKET (WIDE-FLOOR,WHITE,WITH DOOR)
PK1011257-01 FRAME (BUCKET)
PK1011260-01 FRAME
PK1100461-02 SWING FRAME
PK1230228-00 WEIGHT (PULG FOR M12/BUCKET:120KG)
PK1330392-00 COVER (BOOM)
PK1330422-00 COVER (NTT AOMORI/BUCKET)
PK1330439-02 COVER (BUCKET)
PK1330440-00 COVER
PL1011118-02 OPE.ASSY,CONT.VALVE
PL1250052-00 VALVE,CONTROL
PL1920063-02 OPE.ASSY (BUCKET)
PL1920082-02 OPE.ASSY (BUCKET)
PL1920083-00 OPE.ASSY
PL1920089-00 OPE.ASSY (BUCKET)
PL1920091-01 OPE.ASSY (W/ 2-AXIS ENABLE SW)
PL1920092-01 OPE.ASSY (W/O 2-AXIS ENABLE SW + FOOT SW)
PL1920093-00 OPE.ASSY (BUCKET/1-LEVER,2OPE:ENABLE SW)
PL1920103-01 OPE.ASSY
PL1920106-00 OPE.ASSY
PM5150359-00 MODIFICATION ASSY
PM5230001-01 MOTOR,OIL
PN1013972-04 ELEC.ASSY (BUCKET OR BASKET)
PN1013977-04 ELEC.ASSY (INTERLOCK,PTO FAIL SAFE)
PN1013987-00 ELEC.ASSY (AUTOMATIC HORIZONTAL)
PN1014284-00 ELEC.ASSY (VIHICLE INCLINOMETER ALARM)
PN1014285-00 ELEC.ASSY (INVERTER)
PN1014335-04 ELEC.ASSY (LOWER CONTROLS)
PN1014421-00 ELEC.ASSY (SWING FRAME)
PN1014655-01 ELEC.ASSY (BOOM)
PN1014826-00 ELEC.ASSY (FRAME)
PN1014866-01 ELEC.ASSY (SAFETY HOOK SWITCHER)
PN1014920-00 ELEC.ASSY (BUCKET)
PN1015018-01 ELEC.ASSY
PN1080368-02 LAMP (LIGHTING/LOWER CONTROLS)
PN1080379-01 LAMP (WORKING)
PN1080381-02 LAMP (LIGHTING/UPPER CONTROLS)
PN1080412-00 LAMP
PN1110550-00 RELAY ASSY
PN1140153-00 SWITCH ASSY (WITH HARNESS,3 SWITCH)

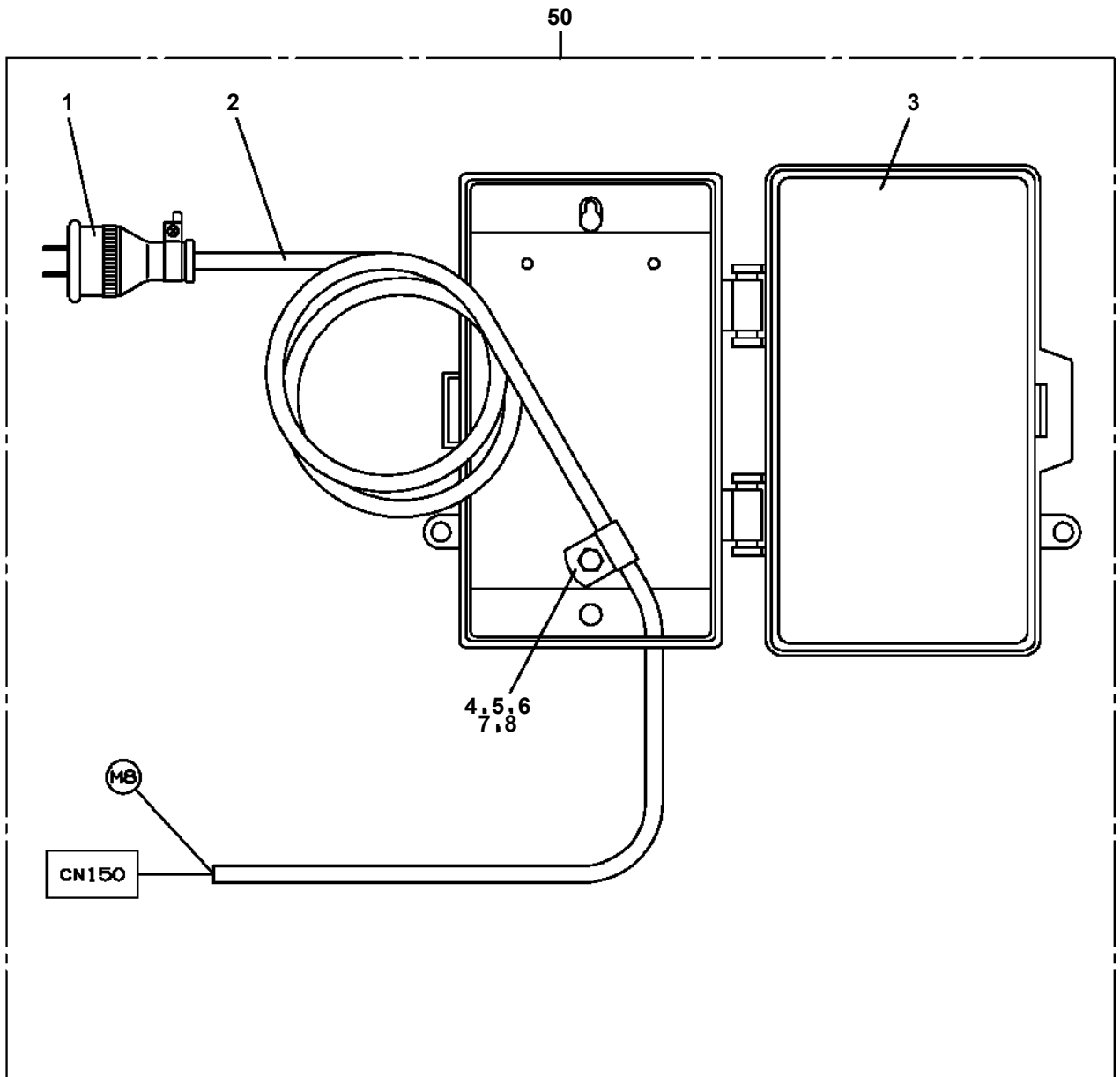
AT-80-3 42006300002 UPPER

| Pos No. | Parts No | Parts Name | Qty | Unit | Technical Data | Serial No (Start) | Serial No (End) | Remarks |
|---------|-------------|----------------------|-----|------|----------------|-------------------|-----------------|---------|
| 1 | 90101208016 | BOLT | 2 | | M8X16 | | | |
| 2 | 90302040801 | WASHER,SPRING | 2 | | 8 | | | |
| 3 | 36630910060 | NEEDLE | 1 | | | | | |
| 4 | 36630910030 | HOLDER | 1 | | | | | |
| 5 | 91002801000 | O-RING | 1 | | 1B P10 | | | |
| 6 | 91410001000 | RING,BACKUP | 1 | | P10 | | | |
| 8 | 36630910050 | POPPET | 1 | | | | | |
| 9 | 52255101000 | SPRING | 1 | | | | | |
| 10 | 91002801400 | O-RING | 1 | | 1B P14 | | | |
| 11 | 36620030050 | PLUG | 1 | | | | | |
| 12 | 82400000350 | KNOB | 1 | | | | | |
| 13 | 37000508510 | PLATE | 1 | | | | | |
| 14 | 80172303006 | SCREW,MACHINE | 1 | | M3X6 | | | |
| 100 | 36636340000 | VALVE,MANUAL CONTROL | 1 | | | | | |

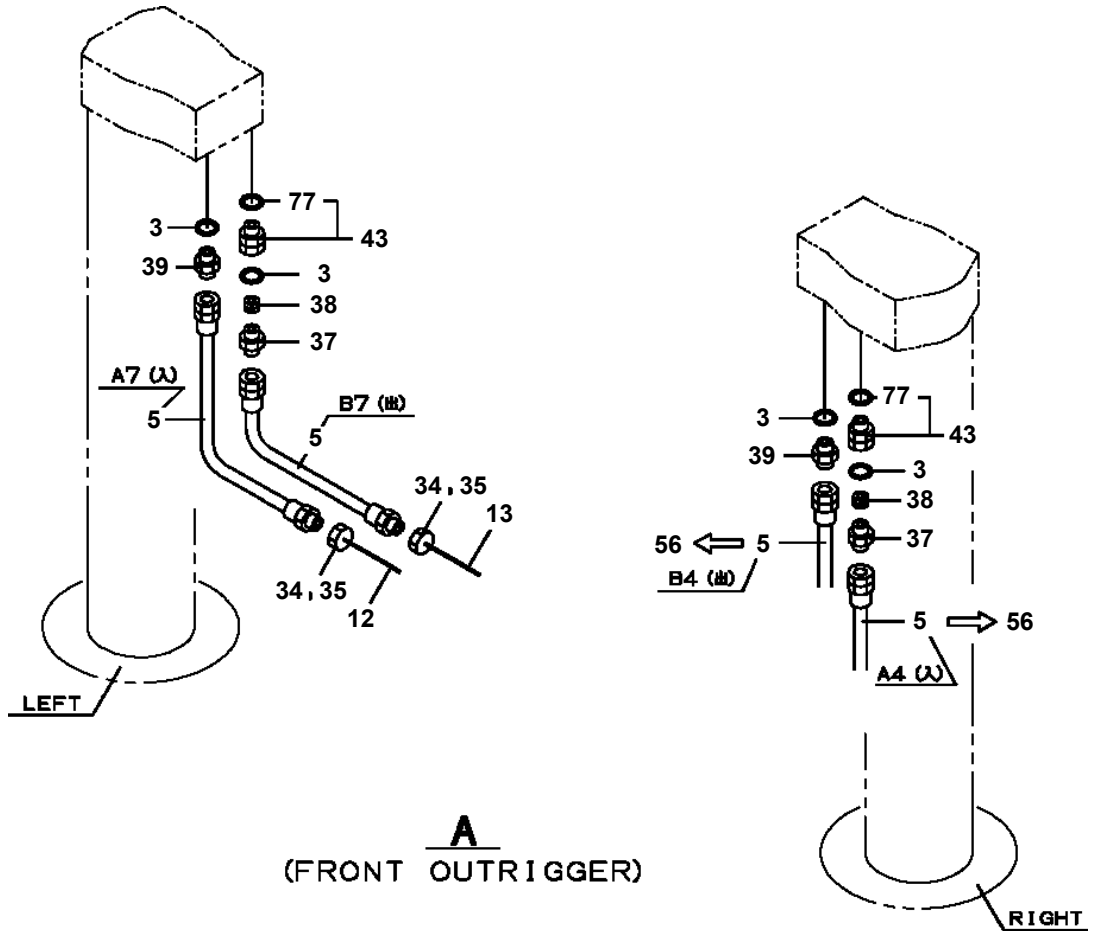
AT-80-3 42006300002 UPPER

| Pos No. | Parts No | Parts Name | Qty | Unit | Technical Data | Serial |
|---------|----------|--|-----|------|----------------|--------|
| 1 | (*****) | PIPING | 1 | | | |
| 2 | (*****) | ELEC.ASSY | 1 | | | |
| 3 | (*****) | ELEC.ASSY (BUCKET) | 1 | | | |
| 4 | (*****) | PLATE ASSY,NAME | 1 | | | |
| 7 | (*****) | EARTHING DEVICE (EARTH STICK&EARTH REELSET UP AT REAR) | 1 | | | |
| 8 | (*****) | PLATE (STICK RUBBER FOR POWER SUPPLY) | 1 | | | |
| 9 | (*****) | WEIGHT (PULG FOR M12/BUCKET:120KG) | 1 | | | |
| 22 | (*****) | PLATE ASSY,NAME (FOR AT-80/AMC DATA) | 1 | | | |

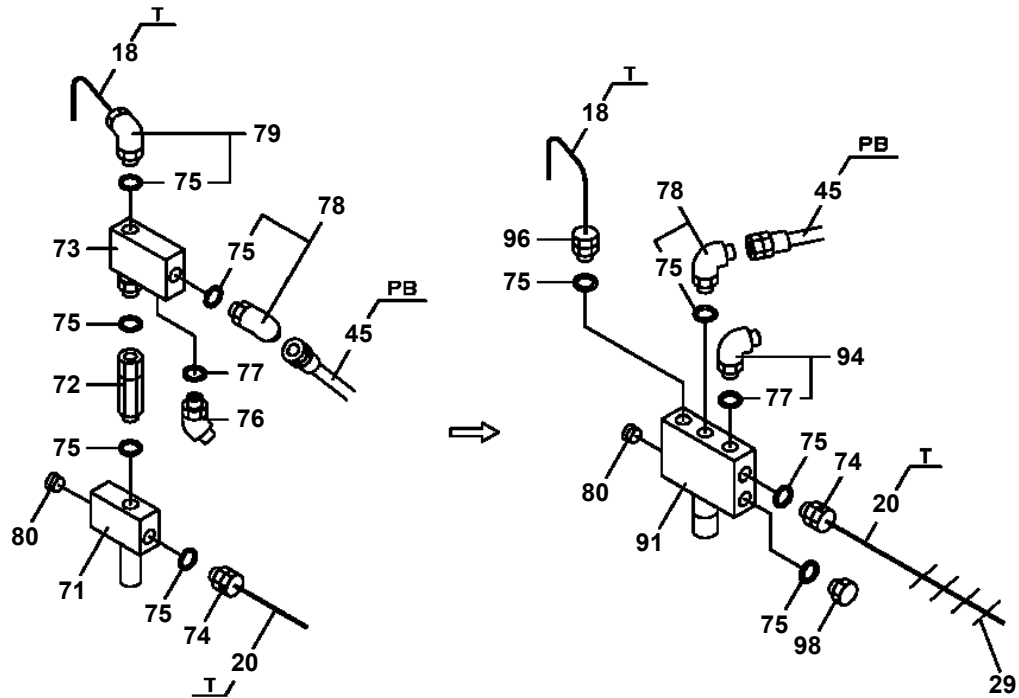
**AT-80-3 42006300002 UPPER
PB5260099-00 BOX ASSY**



**AT-80-3 42006300002 UPPER
PC1200587-02 PIPING,OUTRIGGER**

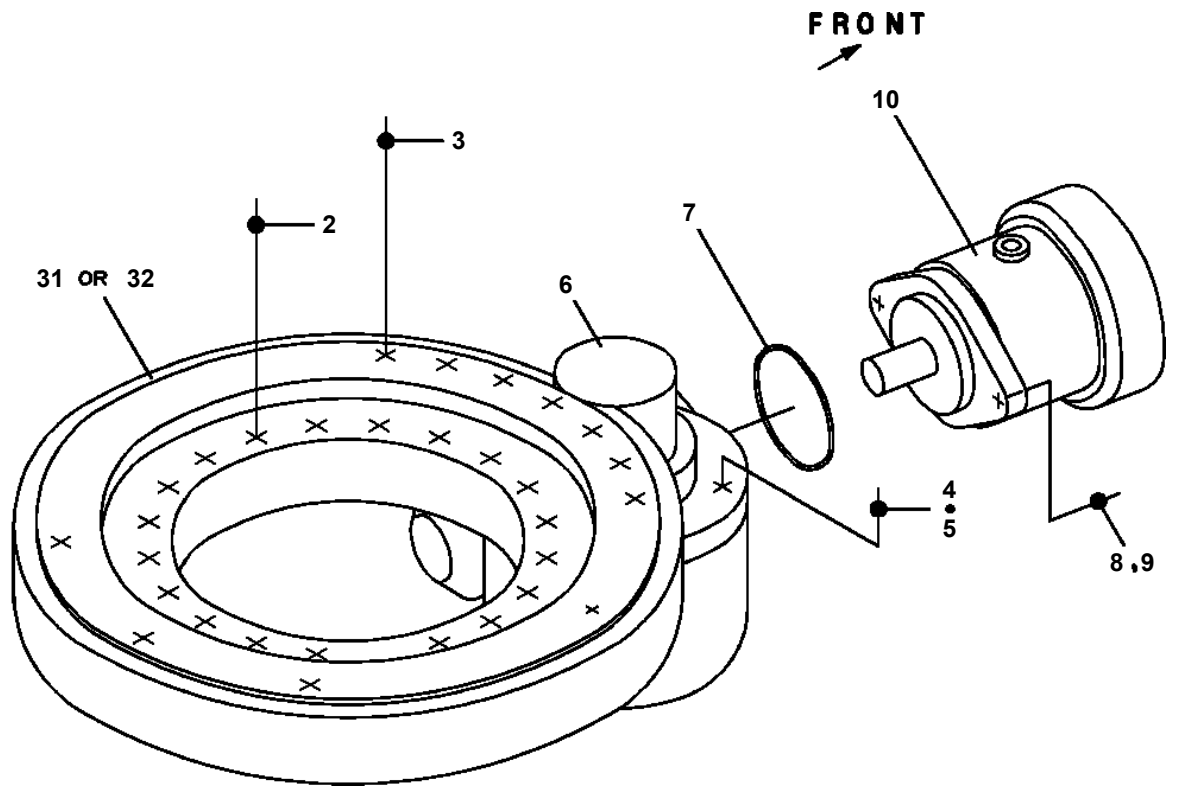


A
(FRONT OUTRIGGER)

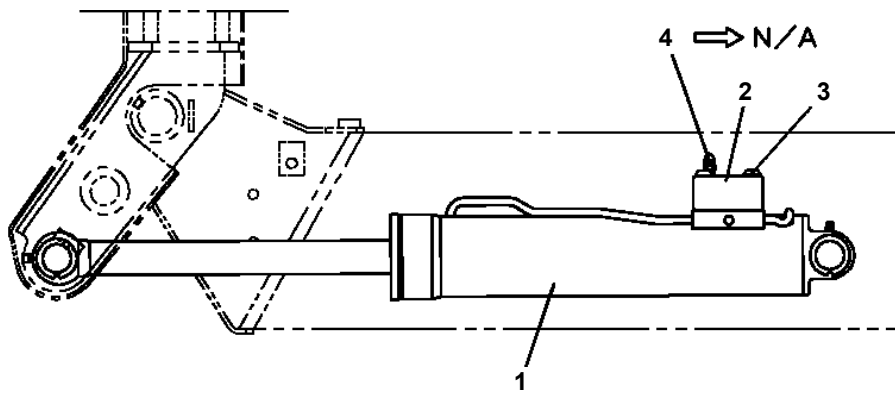


B

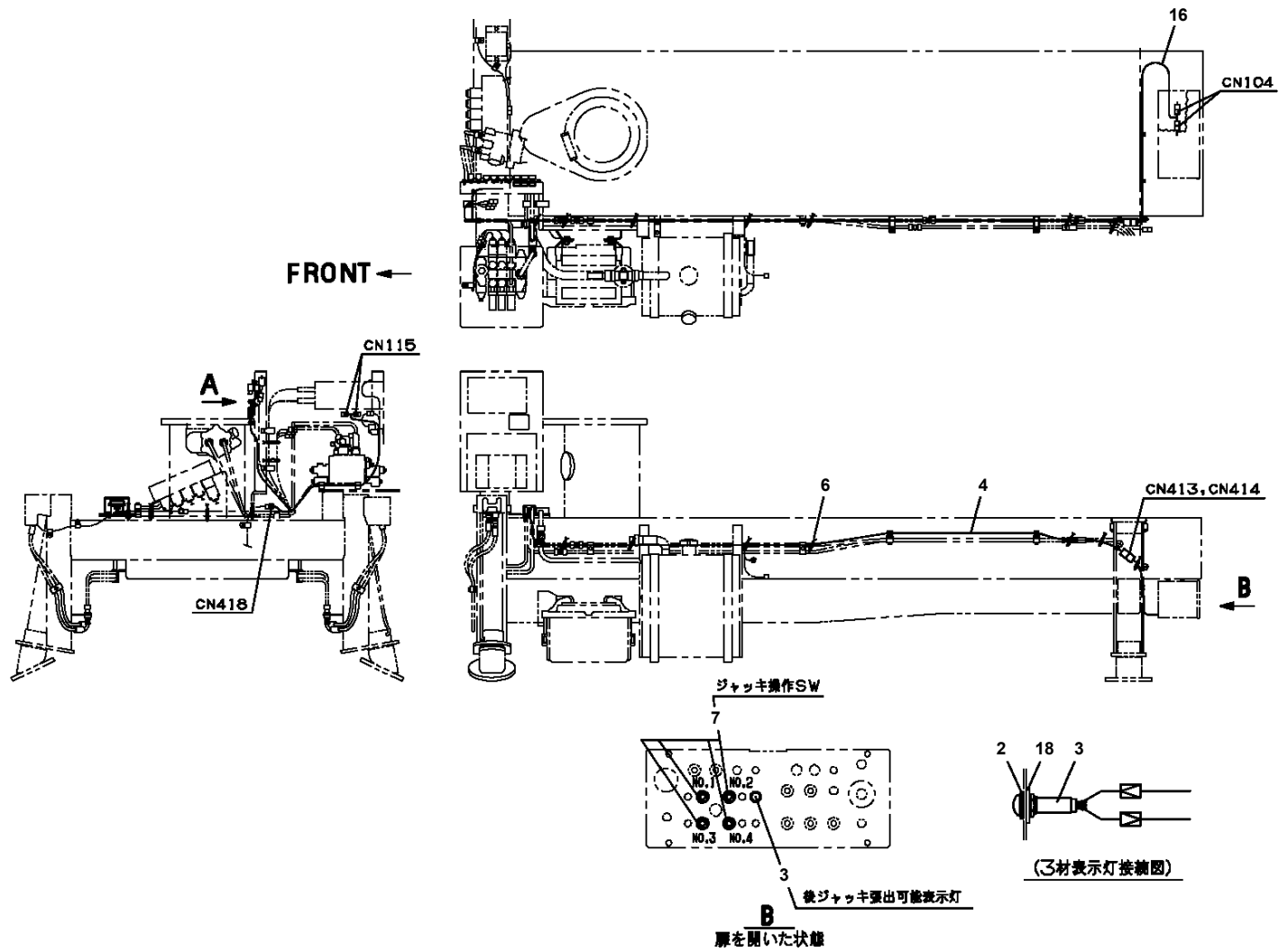
**AT-80-3 42006300002 UPPER
PD1010153-00 REDUCER, SWING SPEED (MOUNT)**



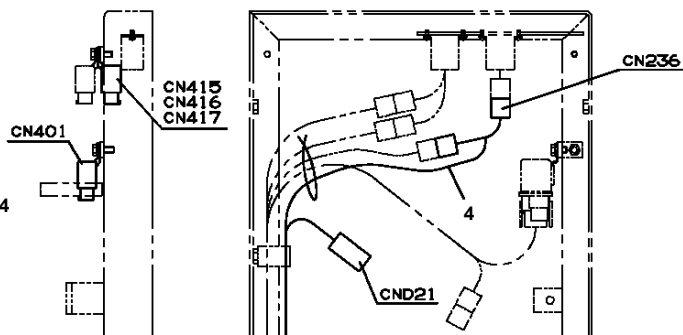
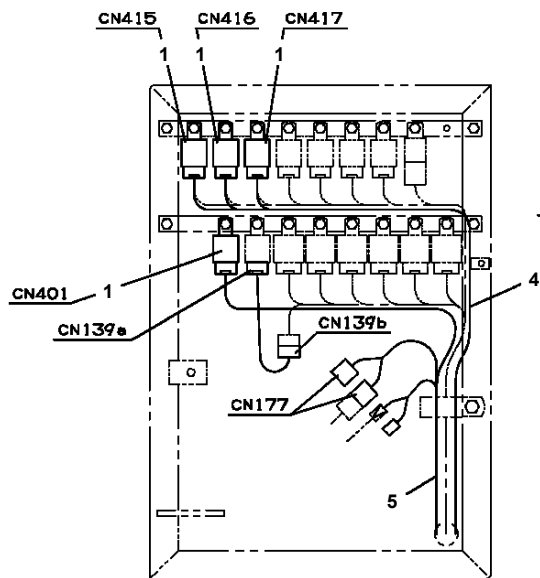
AT-80-3 42006300002 UPPER
PE1050138-02 CYLINDER,LEVELING (UPPER)



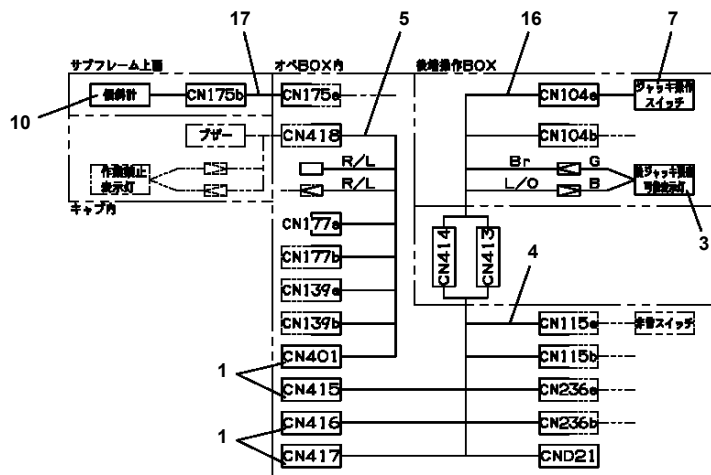
AT-80-3 42006300002 UPPER
PE5020518-01 ELEC.ASSY



AT-80-3 42006300002 UPPER
PE5020521-01 ELEC.ASSY



A



回路図

AT-80-3 42006300002 UPPER

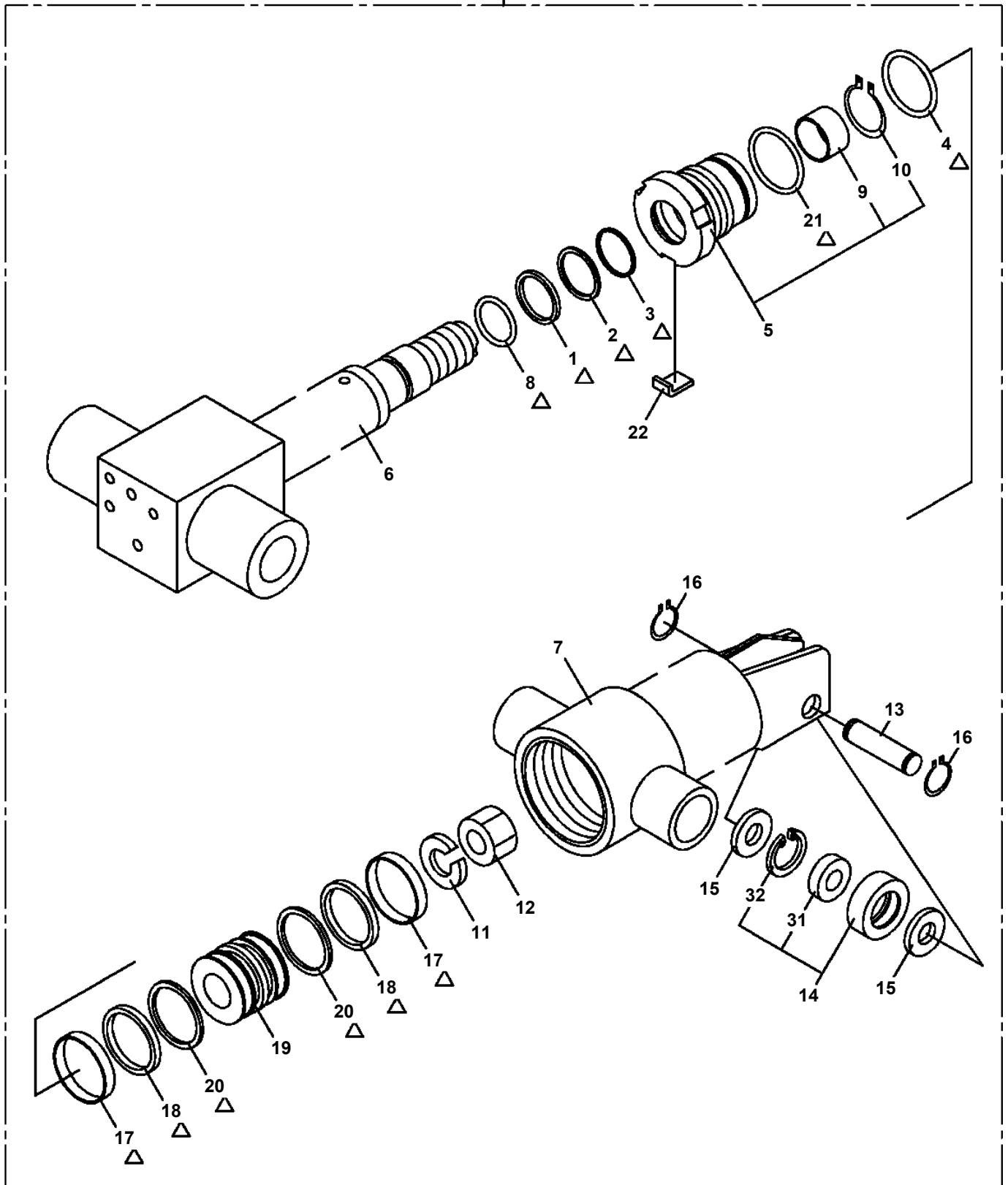
| Pos No. | Parts No | Parts Name | Qty | Unit | Technical Data | Serial No (Start) | Serial No (End) |
|---------|-------------|------------------------------|-----|------|----------------|-------------------|-----------------|
| 1 | 42509572100 | HARNESS | 1 | | | | |
| 2 | 91810132530 | FASTENER | 10 | | | | |
| 4 | 42509952100 | SUPPORT | 1 | | | | |
| 5 | 42809631200 | LAMP ASSY (RED,WITH HARNESS) | 1 | | | | |
| 7 | 42652120300 | BUZZER ASSY | 1 | | | | |
| 8 | 80172304012 | SCREW,MACHINE | 2 | | M4X12 | | |
| 9 | 90201200400 | NUT | 2 | | M4 | | |
| 10 | 90303070401 | WASHER,PLAIN | 2 | | 4 | | |
| 11 | 90302040401 | WASHER,SPRING | 2 | | 4 | | |
| 12 | 90101208020 | BOLT | 2 | | M8X20 | | |
| 13 | 90201200800 | NUT | 2 | | M8 | | |
| 14 | 90302040801 | WASHER,SPRING | 2 | | 8 | | |
| 15 | 42475910010 | PLATE,NAME | 1 | | | | |

AT-80-3 42006300002 UPPER

| Pos No. | Parts No | Parts Name | Qty | Unit | Technical Data | Serial No (Start) | Serial No (End) | Remarks | Pag |
|---------|-------------|-------------------|-----|------|----------------|-------------------|-----------------|---------|-----|
| 1 | 82464188210 | HOOK | 4 | | | | | | |
| 2 | 42836440010 | PLATE | 4 | | | | | | |
| 3 | 90190206016 | BOLT | 8 | | M6X16 | | | | |
| 4 | 90302510601 | WASHER,SPRING (6) | 8 | | | | | | |

**AT-80-3 42006300002 UPPER
PG1050675-01 CYLINDER,TELESCOPING**

100



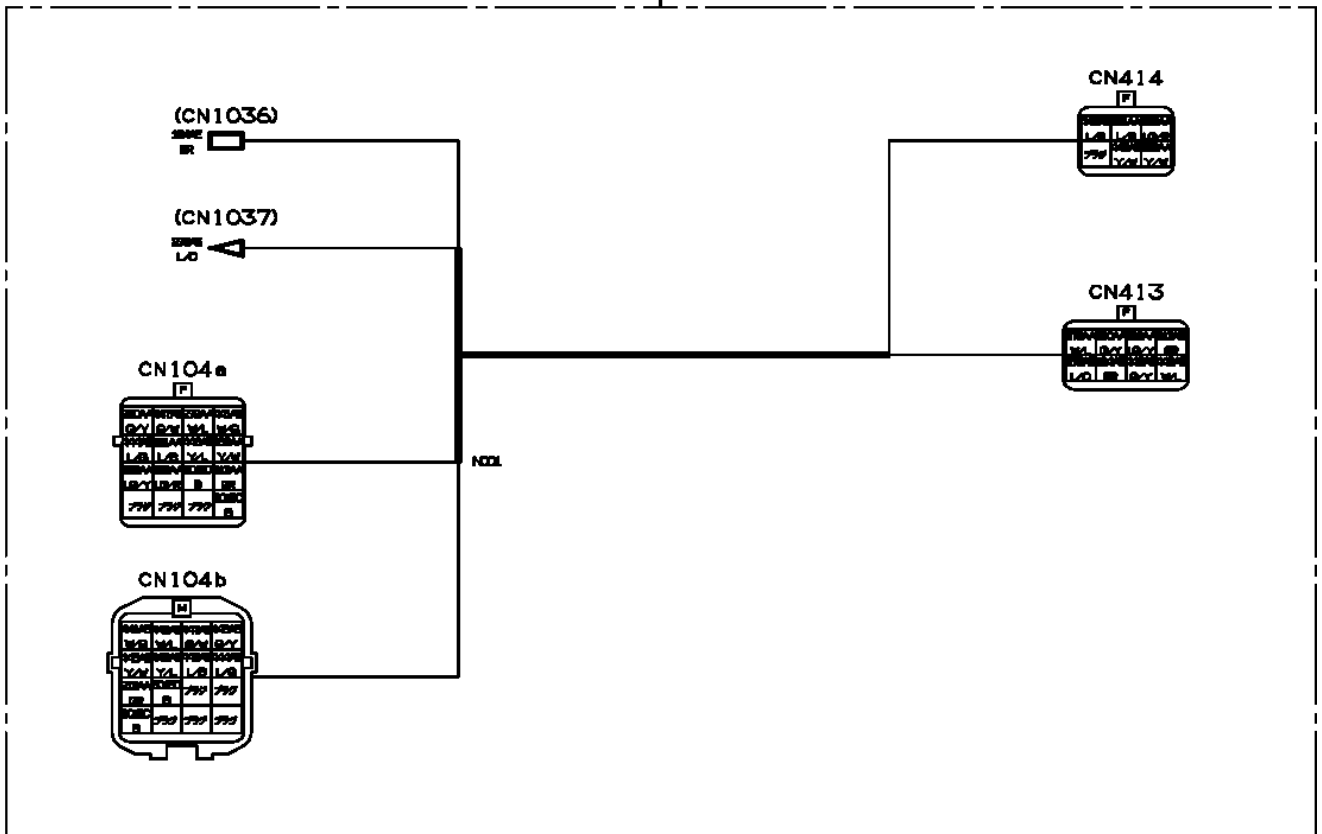
△:PACKING SET KEY NO. 50 (KEY NO.1,2,3,4,8,17,18,20,21)



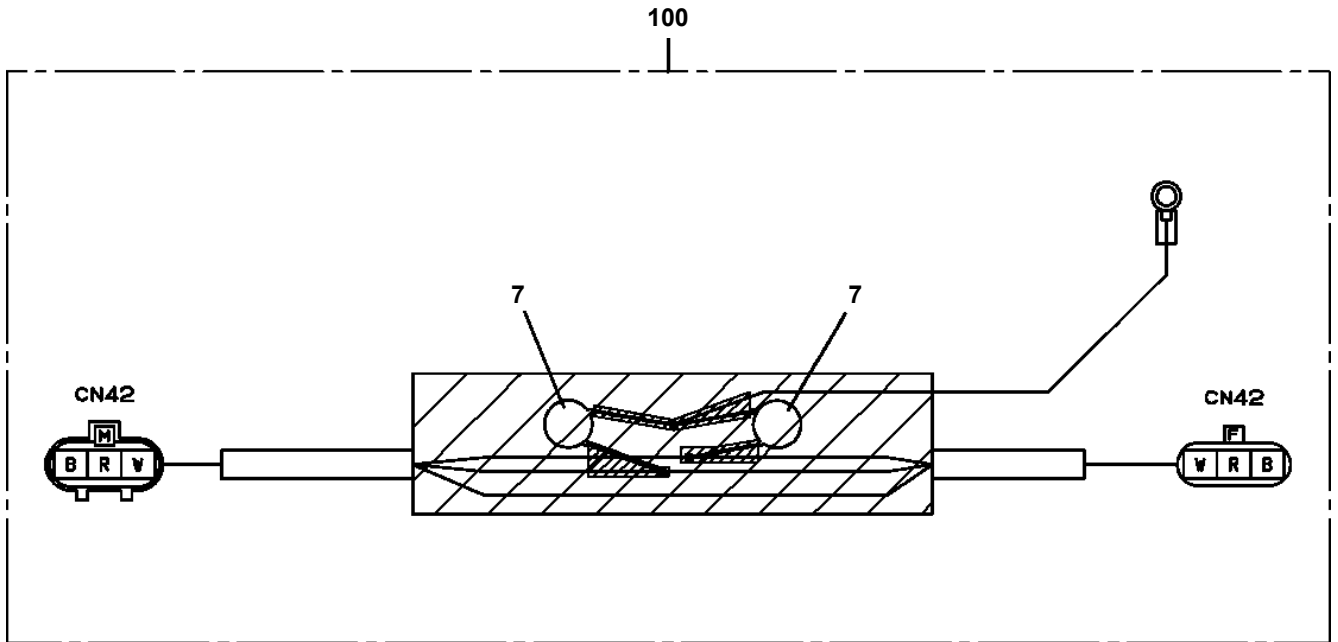
△:PACKING SET KEY NO. 51 (KEY NO.1,2,3,4,8,17,18,20,21)

AT-80-3 42006300002 UPPER
PH5030579-00 HARNESS

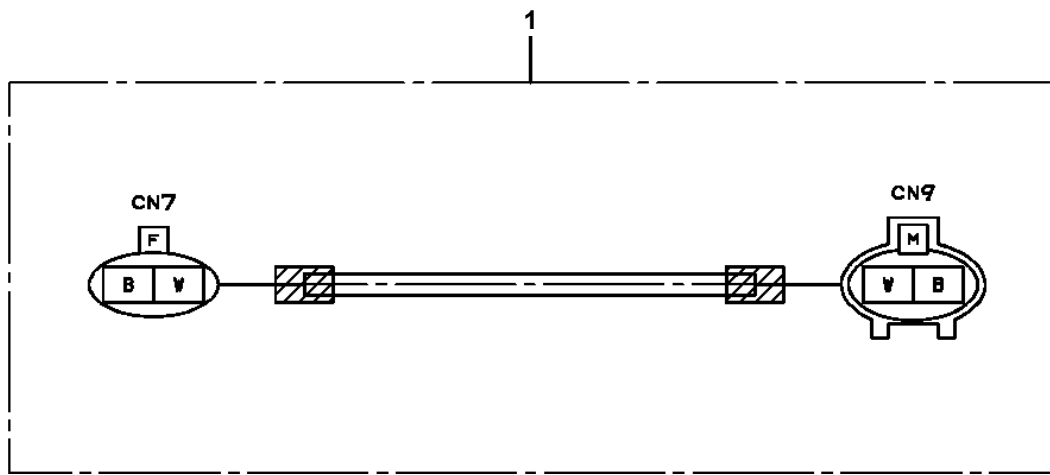
1



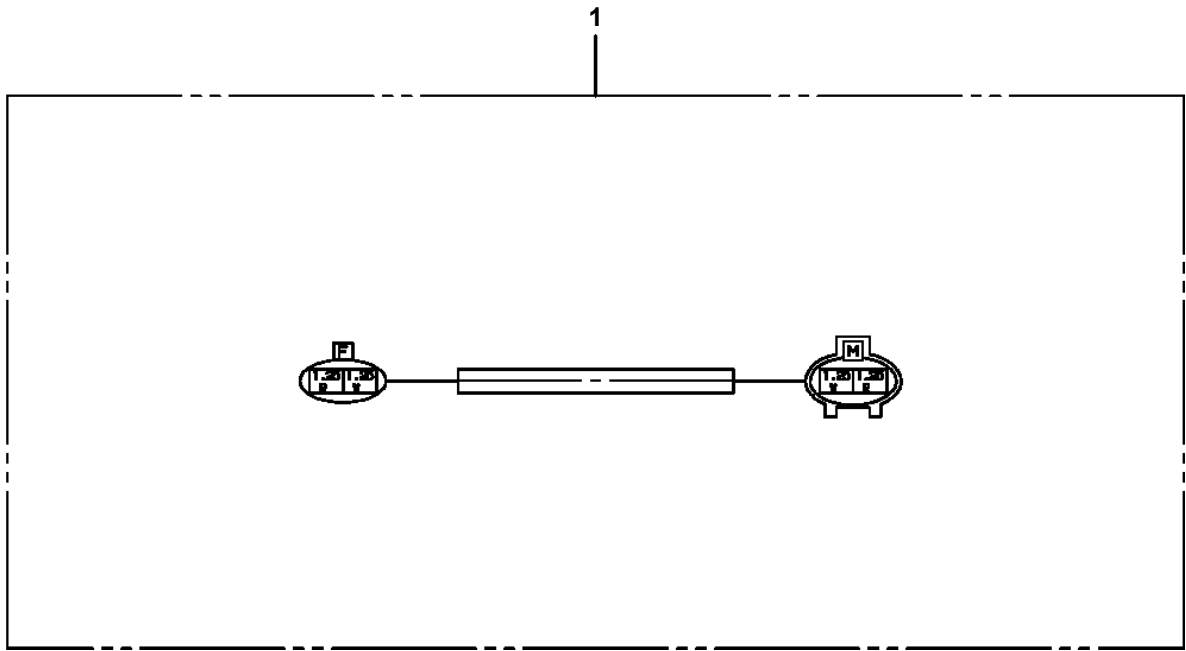
AT-80-3 42006300002 UPPER
PH5030996-00 HARNESS



**AT-80-3 42006300002 UPPER
PH5031327-00 HARNESS (L=3400)**

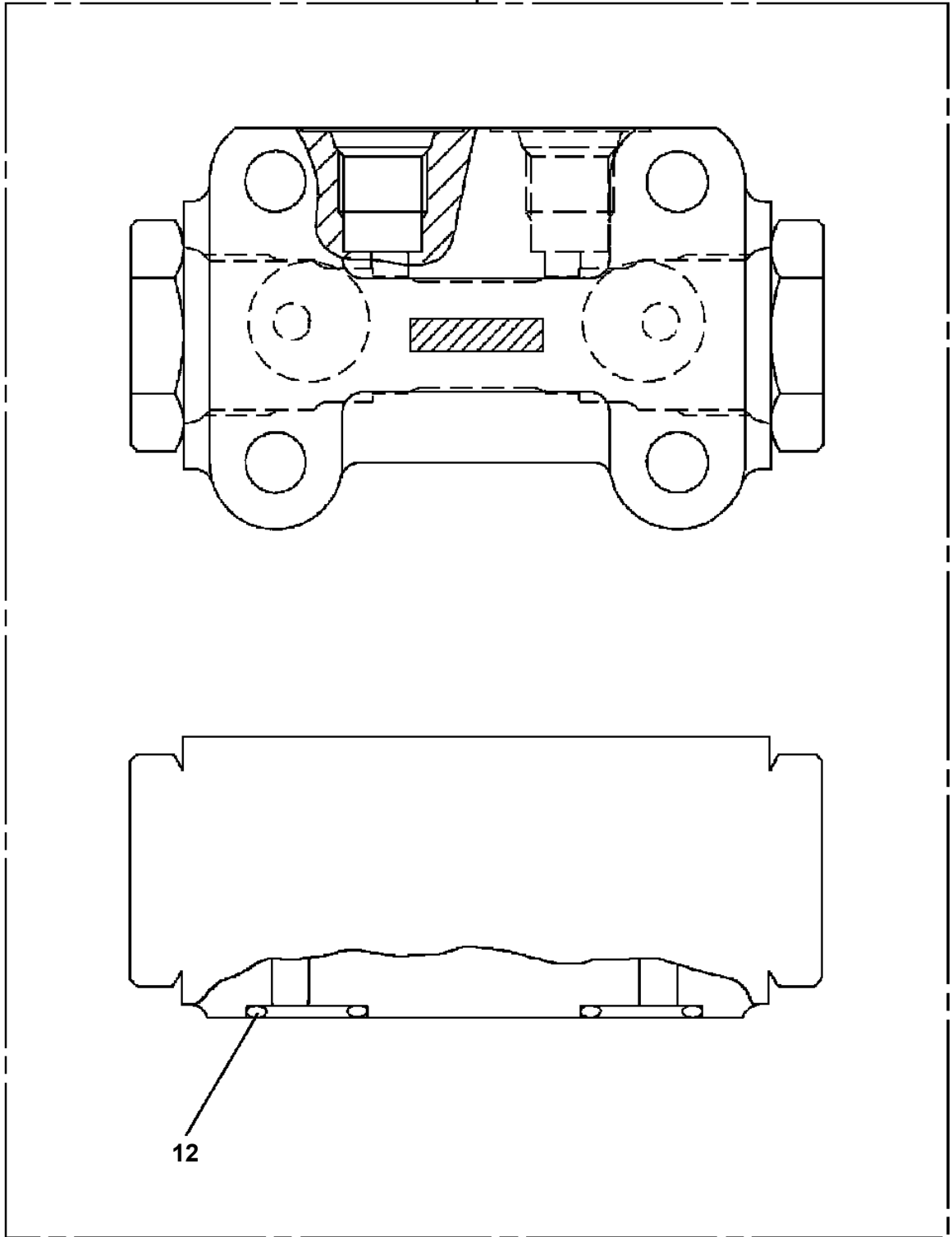


**AT-80-3 42006300002 UPPER
PH5034138-00 HARNESS**



AT-80-3 42006300002 UPPER
PI1140227-00 VALVE,CHECK

100



12

CLICK HERE TO **DOWNLOAD** THE COMPLETE MANUAL

- Thank you very much for reading the preview of the manual.
- You can download the complete manual from: www.heydownloads.com by clicking the link below



- Please note: If there is no response to CLICKING the link, please download this PDF first and then click on it.

CLICK HERE TO **DOWNLOAD** THE COMPLETE MANUAL

AT-80-3 42006300002 UPPER
PI5170011-00 INTERLOCK ASSY (RUNAWAY PREVENTION)

| | |
|-----------------|---|
| 指示番号 KEY NO. | インターロックASSY (イツソウホ* ウシキノウ) INTERLOCK ASSY (RUNAWAY PREVENTION) |
| 1 | ハイセンASSY (フレーム*) ELEC. ASSY (FRAME) |
| 2 | ネームプレートASSY NAME PLATE ASSY |

逸走防止機能
(#HH5161~#HH5197)

**AT-80-3 42006300002 UPPER
PI5170016-00 INTERLOCK ASSY (RUNAWAY PREVENTION)**

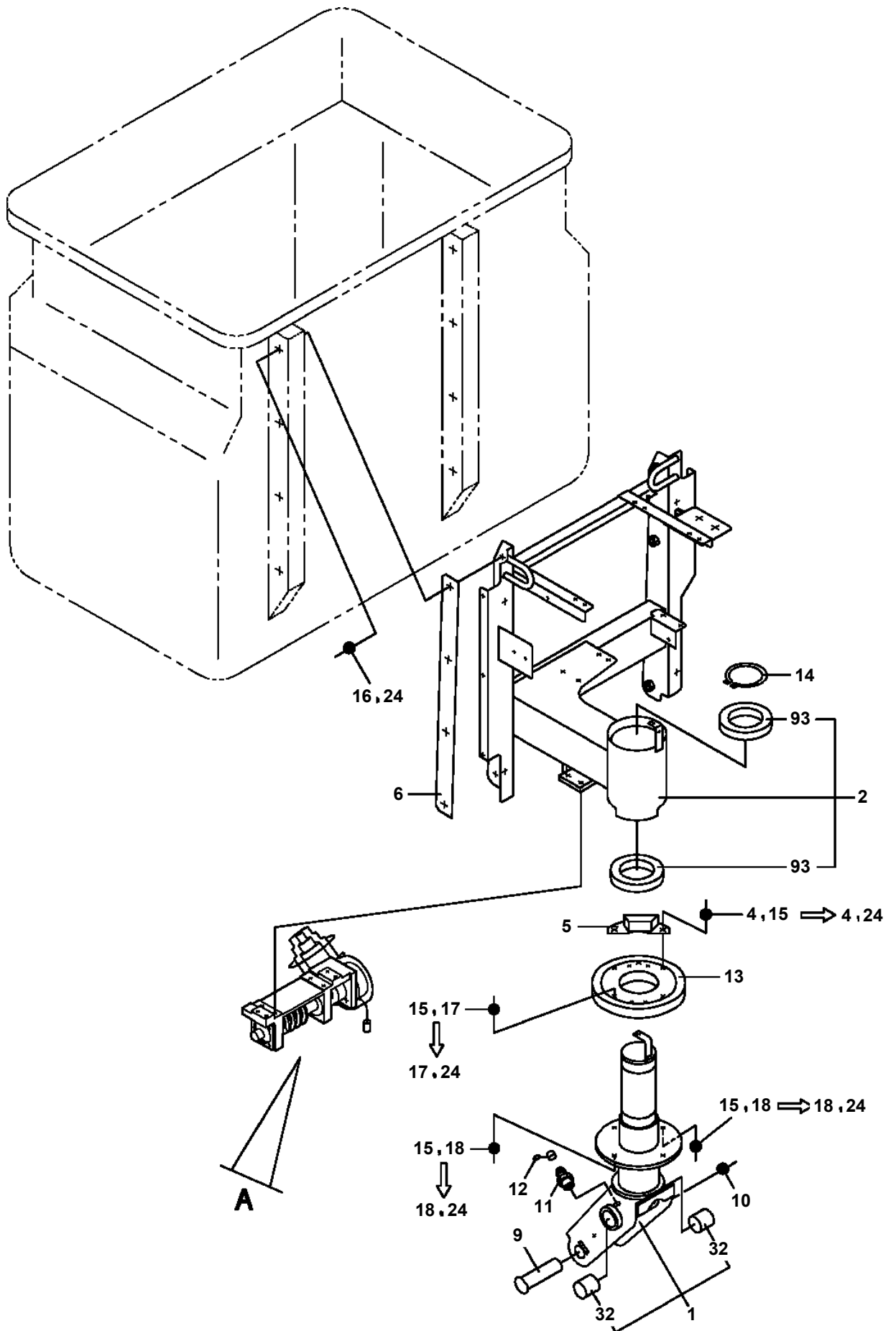
| | |
|-----------------|---|
| 指示番号 KEY NO. | インターロックASSY (イツソウホ* ウシキノウ) INTERLOCK ASSY (RUNAWAY PREVENTION) |
| 1 | ハイセンASSY ELEC.ASSY |
| 3 | ネームプレートASSY NAME PLATE ASSY |

逸走防止機能

即納車シ* ヤツキ自動水平張出又は車両傾斜警報付き

(#HH5157~#HH5160)

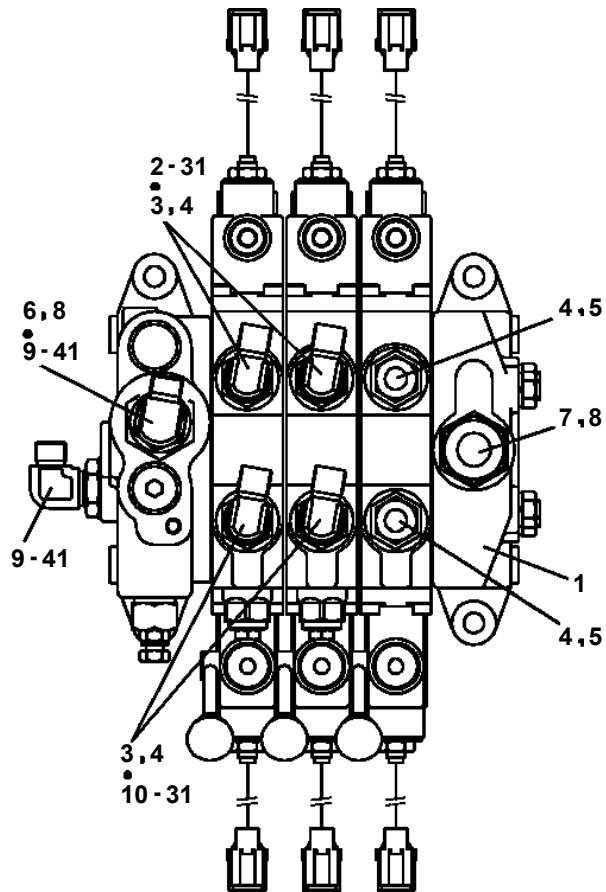
**AT-80-3 42006300002 UPPER
PK1011257-01 FRAME (BUCKET)**



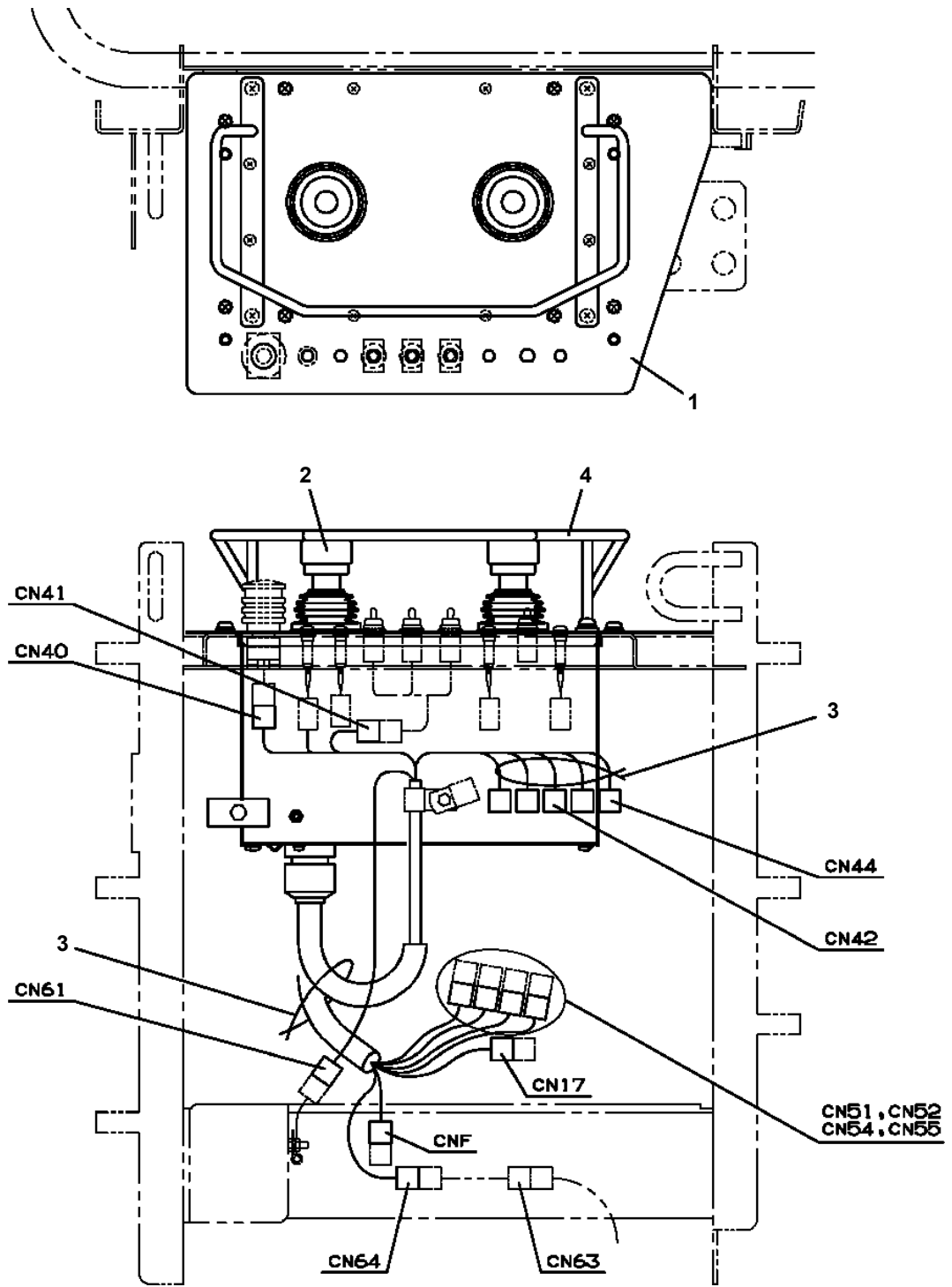
AT-80-3 42006300002 UPPER

| Pos No. | Parts No | Parts Name | Qty | Unit | Technical Data | Serial No (Start) | Serial No (End) | Remarks | Pages |
|---------|-------------|--------------|-----|------|----------------|-------------------|-----------------|---------|-------|
| 1 | 42443390100 | COVER | 1 | | | | | | |
| 2 | 42443390200 | COVER | 1 | | | | | | |
| 3 | 42443390300 | COVER | 1 | | | | | | |
| 4 | 90186208014 | BOLT,FLANGE | 13 | | M8X14 | | | | |
| 5 | 90303070801 | WASHER,PLAIN | 13 | | 8 | | | | |
| 6 | 82100000952 | GROMMET | 4 | | | | | | |
| 23 | 82400000200 | GROMMET | 1 | | KG-012,L=250 | | | | |

**AT-80-3 42006300002 UPPER
PL1250052-00 VALVE,CONTROL**



**AT-80-3 42006300002 UPPER
PL1920089-00 OPE.ASSY (BUCKET)**



AT-80-3 42006300002 UPPER

| Pos No. | Parts No | Parts Name | Qty | Unit | Technical Data | Serial No (Start) | Serial No (End) | Remarks | Pages |
|---------|-------------|------------|-----|------|----------------|-------------------|-----------------|---------|-------|
| 1 | 42332897530 | JOY STICK | 1 | | | | | | |
| 2 | 42332897520 | JOY STICK | 1 | | | | | | |
| 3 | 42332897730 | PANEL | 1 | | | | | | |
| 11 | 42331247590 | BOOT | 2 | | | | | | |
| 100 | 42332892500 | OPE.ASSY | 1 | | | | | | |

AT-80-3 42006300002 UPPER

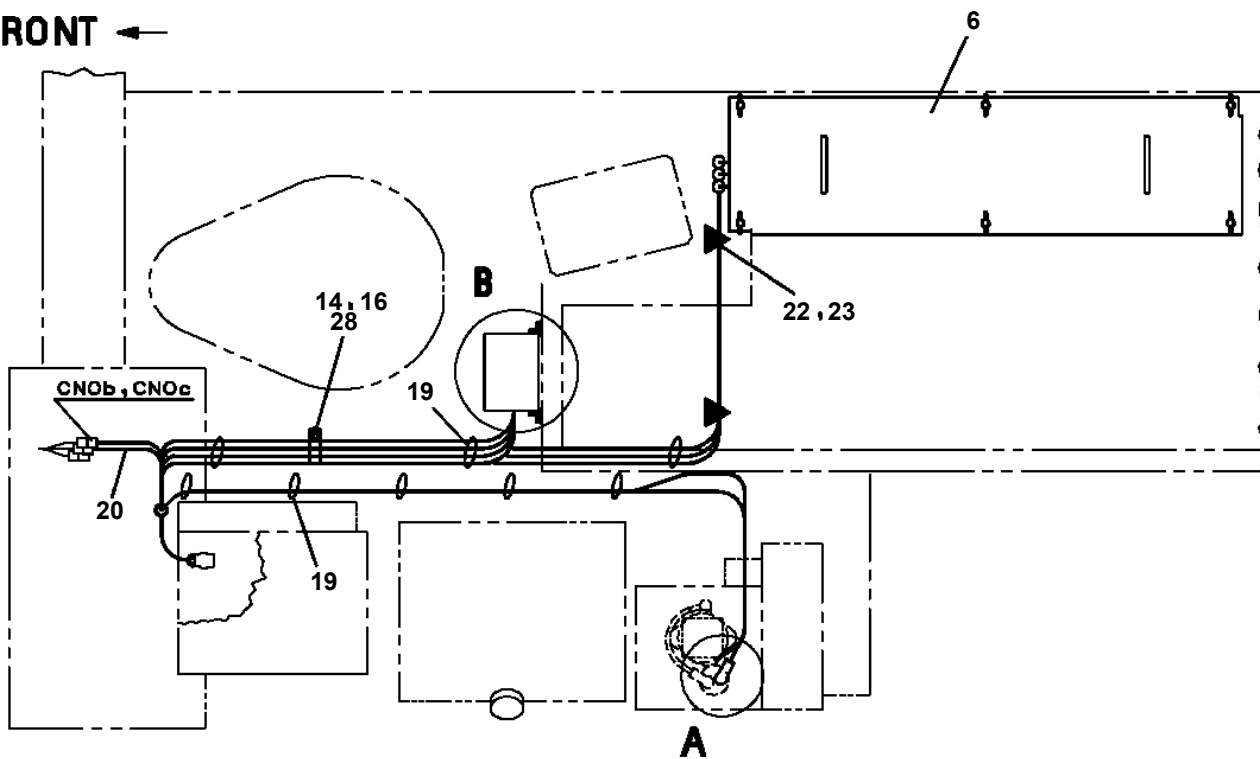
| Pos No. | Parts No | Parts Name | Qty | Unit | Technical Data | Serial No (Start) | Serial No (End) | Remarks | Pages |
|---------|-------------|--------------|-----|------|----------------|-------------------|-----------------|---------|--------|
| 1 | 42501131100 | HARNESS | 1 | | | | | | 000074 |
| 2 | 82100002596 | RELAY | 5 | | | | | | |
| 3 | 90186206016 | BOLT,FLANGE | 3 | | M6X16 | | | | |
| 5 | 90303070601 | WASHER,PLAIN | 2 | | 6 | | | | |
| | | | | | | | | | |

AT-80-3 42006300002 UPPER

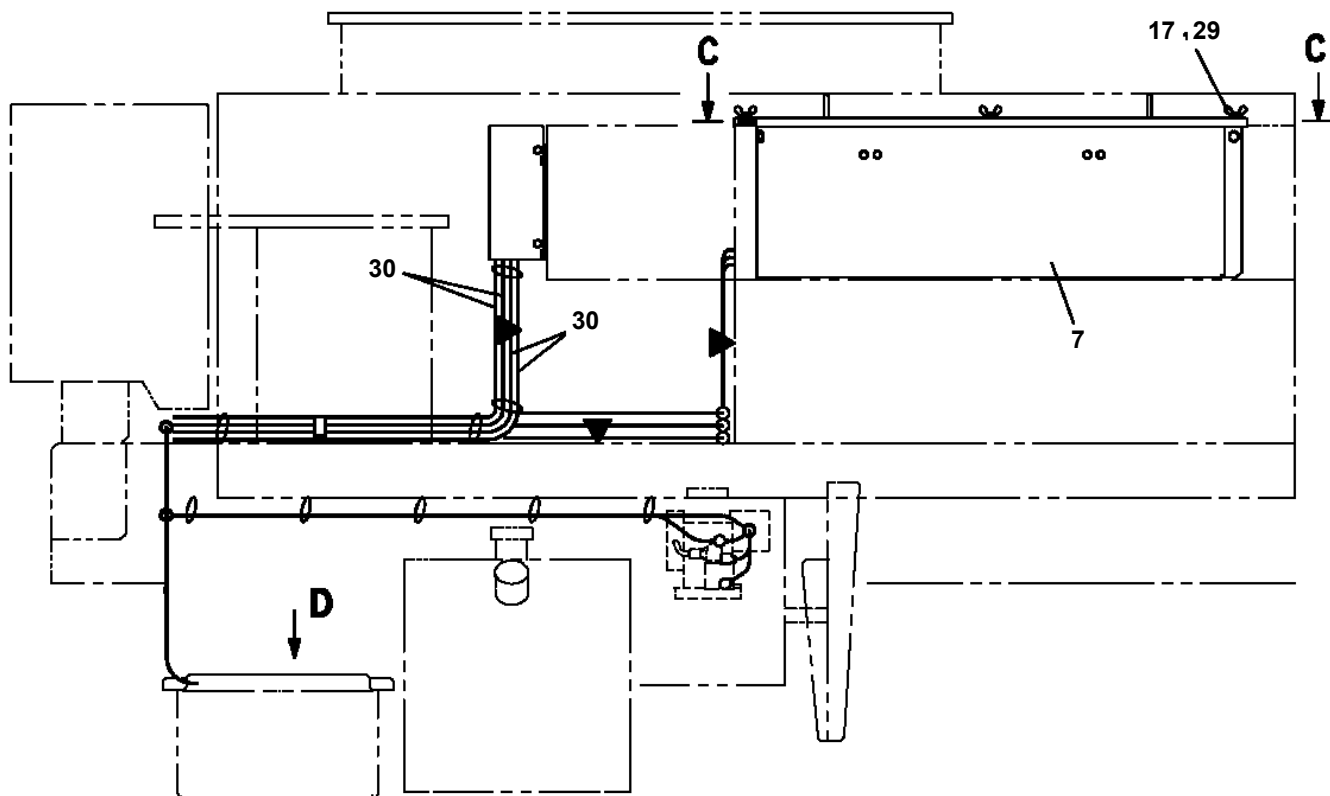
| Pos No. | Parts No | Parts Name | Qty | Unit | Technical Data | Serial No (Start) | Serial No (End) | Remarks | Pages |
|---------|-------------|---------------|-----|------|----------------|-------------------|-----------------|---------|-------|
| 1 | 42355810200 | COVER | 1 | | | | | | |
| 2 | 90101208014 | BOLT | 4 | | M8X14 | | | | |
| 3 | 90303070801 | WASHER,PLAIN | 6 | | 8 | | | | |
| 4 | 90302040801 | WASHER,SPRING | 5 | | 8 | | | | |
| 5 | 90201200800 | NUT | 1 | | M8 | | | | |
| 6 | 91850400601 | CLAMP | 3 | | | | | | |
| 7 | 91810132530 | FASTENER | 10 | | | | | | |
| 9 | 82100002011 | CLAMP | 1 | | WRC15 | | | | |
| 10 | 82100002052 | CLAMP | 2 | | | | | | |
| 11 | 90201200600 | NUT | 2 | | M6 | | | | |
| 12 | 90302040601 | WASHER,SPRING | 2 | | 6 | | | | |
| 13 | 82400000347 | GROMMET | 1 | | L=320 | | | | |
| 22 | 82400000200 | GROMMET | 1 | | KG-012,L=250 | | | | |

AT-80-3 42006300002 UPPER
 PN1015018-01 ELEC.ASSY

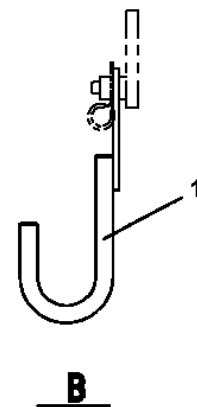
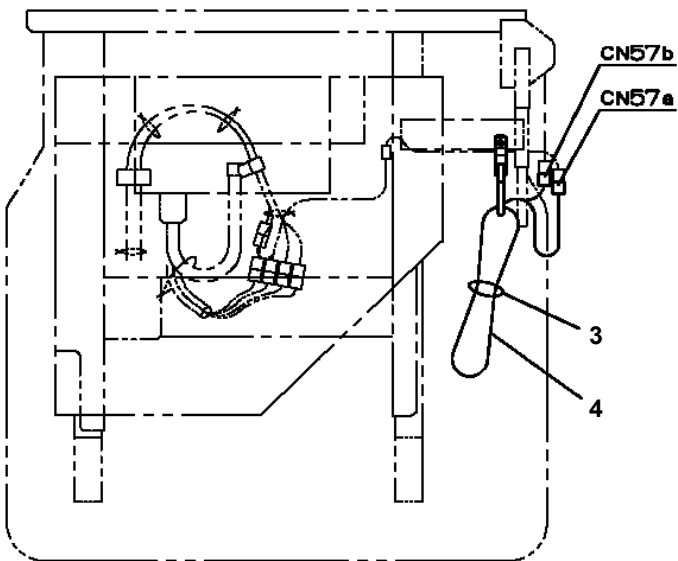
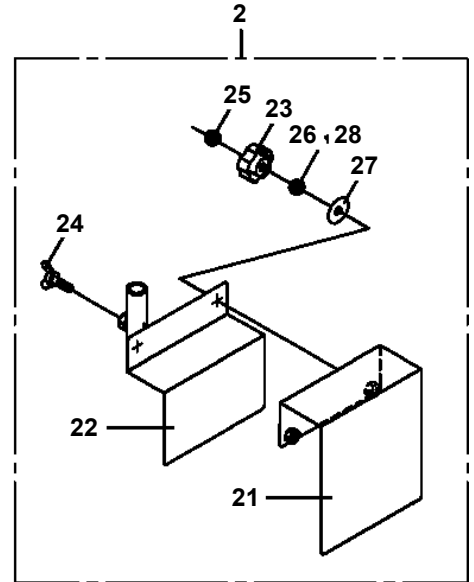
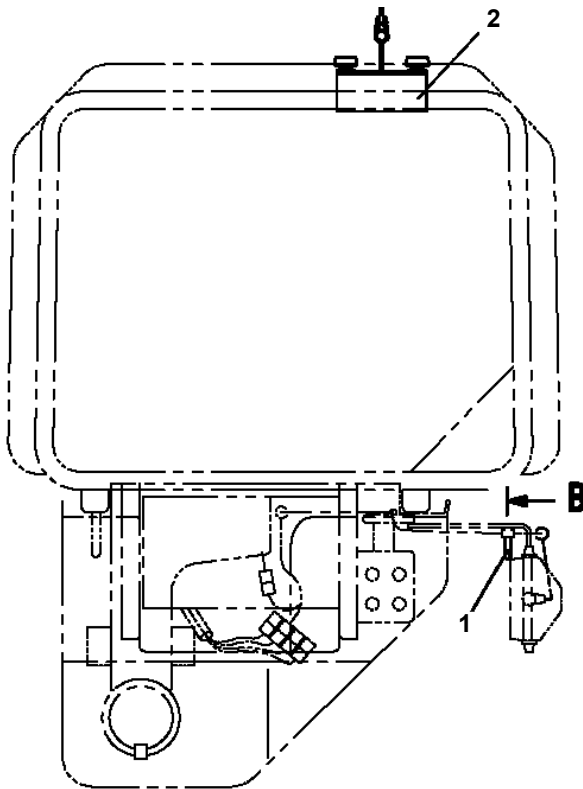
FRONT ←



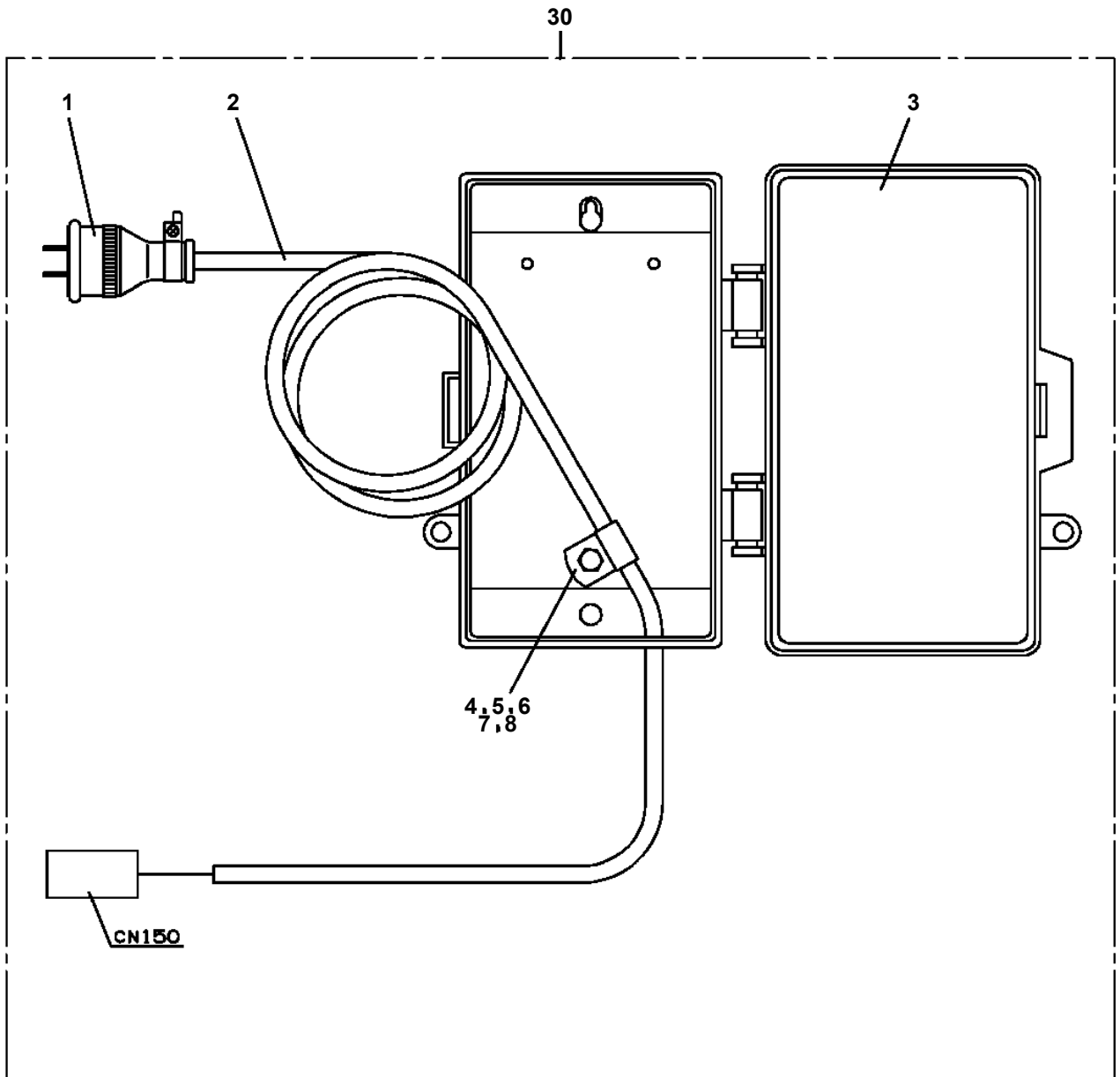
AT-100の場合



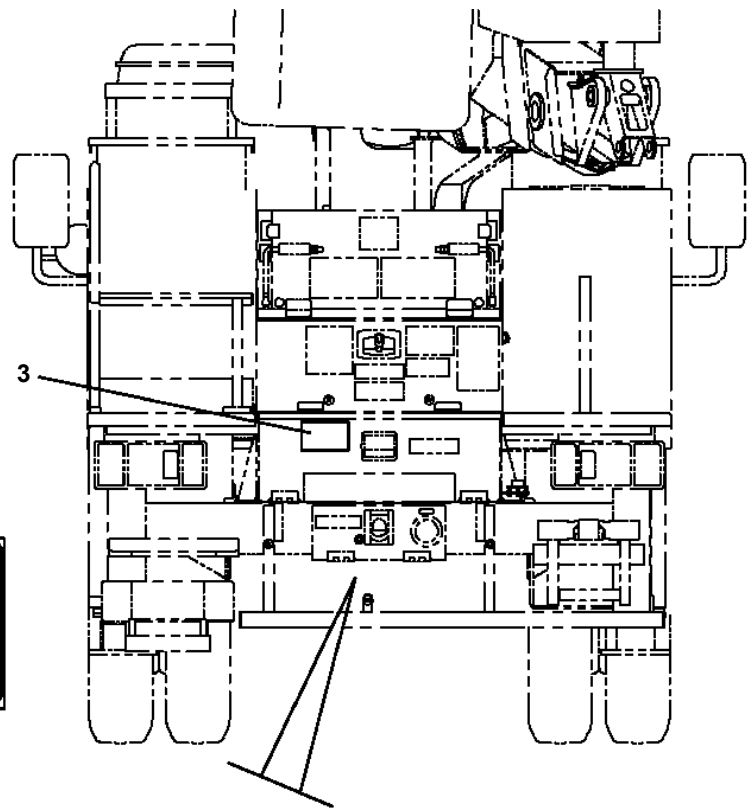
**AT-80-3 42006300002 UPPER
PN1080412-00 LAMP**



**AT-80-3 42006300002 UPPER
PN1300002-00 BOX**



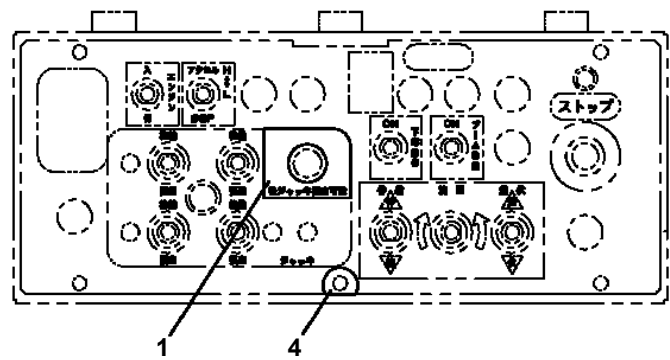
AT-80-3 42006300002 UPPER
PN5010919-00 NAME PLATE ASSY



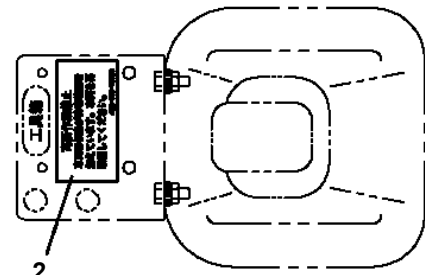
アウトリガ操作方法

○アウトリガ降下操作は後部一側部の順に操作してください。前ジャッキや後部、後ジャッキ等は可動フックが止まれば、後ジャッキの降下操作が可能です。

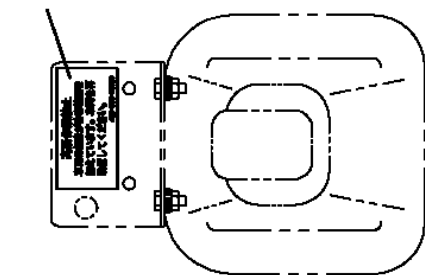
○アウトリガ降下操作は後部一側部の順に操作してください。前ジャッキや後部、前ジャッキ等は可動フックが止まれば、前ジャッキの降下操作が可能です。



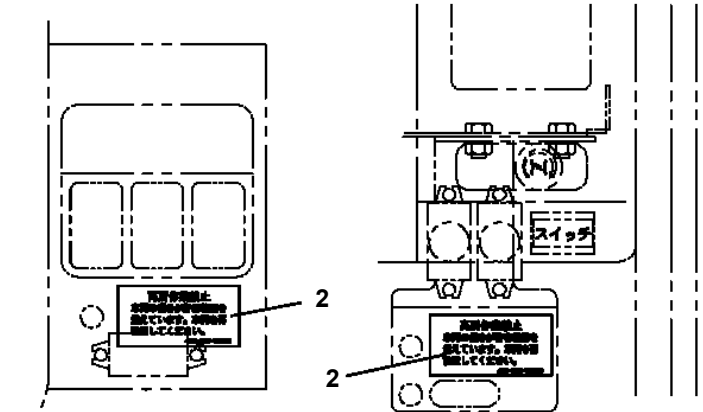
扉を開いた状態



2



2



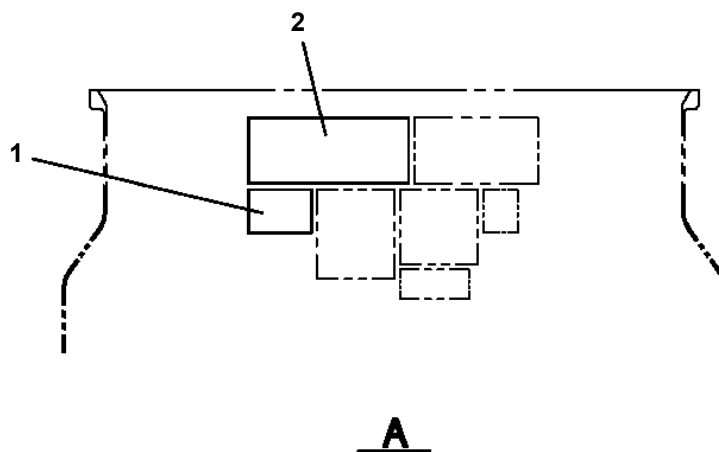
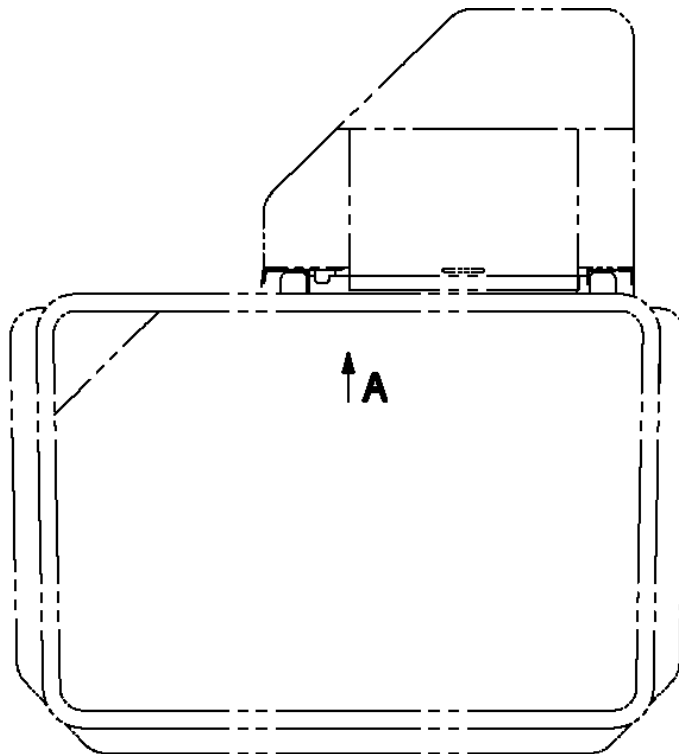
三菱車の場合

いすゞPB車の場合

日野・いすゞ車の場合

キャブ内

AT-80-3 42006300002 UPPER
 PO1015200-01 PLATE ASSY,NAME (INSIDE BUCKET)



1

ブーム操作注意

- ブーム操作・首振り操作は操作レバーのイネーブルスイッチを引き上げながら、操作してください。
- ブーム後納スイッチは左右どちらかのイネーブルスイッチを引き上げながら、操作してください。

2

| △警告／作業開始前点検 | 作業車が動かない場合の点検 |
|--|--|
| <p>その日の作業を行う前には取扱説明書に従って、次の「作業開始前点検」を行ってください。</p> <ul style="list-style-type: none"> ○AMCの点検。 *AMC作業開始前点検項目に従って確認。 ○アウトリガ・ブーム・バケットの作業確認。 *異音、ガタツキ、油漏れ等がないこと。 ○バケット水平位置の作業確認。 *起伏等作時に水平の狂いがないこと。 ○履帯停止装置・イネーブルスイッチ等安全装置の作業確認。 *確実に停止すること。 | <ul style="list-style-type: none"> ○ストップスイッチ表示ランプが点灯していませんか？ (バケット等、車両後部、車両左側の3ヶ所) →安全確認後、ストップスイッチを閉鎖し、ランプを消してください。 ○ジャッキインジカータは点灯していますか？ →ジャッキを確認し、ジャッキインジカータを点灯させてください。 ○イネーブルスイッチを引き上げていますか？ (バケット等) →イネーブルスイッチを引き上げてください。 |

AT-80-3 42006300002 UPPER

| Pos No. | Parts No | Parts Name | Qty | Unit | Technical Data | Serial No (Start) | Serial No |
|---------|-------------|---------------------------------------|-----|------|----------------|-------------------|-----------|
| 1 | 42332897600 | CASE | 1 | | | | |
| 2 | 42332892501 | OPE.ASSY | 1 | | | | |
| 3 | 42332897610 | SPACER (L=30 6PIECES 1SET ASF-330E) | 1 | | | | |
| 4 | 42332897620 | CASE (BOTTOM) | 1 | | | | |
| 6 | 42332897630 | HARNESS ASSY | 1 | | | HH5258 | HH5257 |
| | 42332897740 | HARNESS ASSY | 1 | | | | |
| 7 | 42332897641 | COVER (BOARD) | 1 | | | | |
| 8 | 82161161125 | RELAY | 3 | | | | HH5257 |
| | 82161324080 | RELAY | 3 | | | HH5258 | |
| 9 | 90280200600 | NUT,FLANGE | 4 | | M6 | | HH5257 |
| | 90280200600 | NUT,FLANGE | 3 | | M6 | HH5258 | |
| 10 | 42332897650 | SPACER (L=30 6PIECES 1SET BSF-330E) | 1 | | | | |
| 11 | 42332897660 | SCREW,MACHINE (M3X8-3P 12PIECES 1SET) | 1 | | | | |
| 12 | 42332897570 | SCREW,MACHINE | 6 | | | | |
| 13 | 90201200500 | NUT | 2 | | M5 | | |
| 14 | 90304110501 | WASHER (LOCK) | 2 | | 5 | | |
| 15 | 90302040501 | WASHER,SPRING | 2 | | 5 | | |
| 16 | 82100002017 | CLAMP | 1 | | WR30 | | |
| 17 | 90186206014 | BOLT,FLANGE | 1 | | M6X14 | | |
| 18 | 80175805014 | SCREW,MACHINE | 8 | | M5X14 | | |
| 19 | 42332897670 | NUT (M5 WITH SERRATION) | 8 | | | | HH5257 |
| 20 | 82100000956 | GROMMET | 1 | | SG-36A | | |
| 21 | 90280200600 | NUT,FLANGE | 1 | | M6 | HH5258 | |
| 105 | 42332507571 | BOARD,CIRCUIT (WITH DATA) | 1 | | | | HH5257 |
| | 42332507572 | BOARD,CIRCUIT (WITH DATA) | 1 | | | HH5258 | HH5273 |
| | 42332507573 | BOARD,CIRCUIT (WITH DATA) | 1 | | | HH5274 | |
| 200 | 42332892002 | OPE.ASSY | 1 | | | | |

AT-80-3 42006300002 UPPER

| Pos No. | Parts No | Parts Name | Qty | Unit | Technical Data | Serial No (Start) | Serial No (End) | Remarks |
|---------|-------------|------------------------|-----|------|----------------|-------------------|-----------------|---------|
| 1 | 37004100040 | PUMP,GREASE (DOMESTIC) | 1 | | | | | |

AT-80-3 42006300002 UPPER

| Pos No. | Parts No | Parts Name | Qty | Unit | Technical Data | Serial No (Start) | Serial No (End) | Remarks | Pages |
|---------|-------------|------------|-----|------|----------------|-------------------|-----------------|---------|-------|
| 1 | 42506500010 | PLATE | 1 | | | | | | |

AT-80-3 42006300002 UPPER

| Pos No. | Parts No | Parts Name | Qty | Unit | Technical Data | Serial No (Start) | Serial No (End) | Remarks | Page |
|---------|-------------|----------------|-----|------|----------------|-------------------|-----------------|---------|------|
| 1 | 42503062103 | CONNECTOR ASSY | 1 | | | | | | |
| 2 | 42503062200 | SWITCH | 1 | | | | | | |
| 100 | 42503062002 | SWITCH ASSY | 1 | | | | | | |

AT-80-3 42006300002 UPPER

| Pos No. | Parts No | Parts Name | Qty | Unit | Technical Data | Serial No (Start) | Serial No (End) | R |
|---------|-------------|---------------------------|-----|------|----------------|-------------------|-----------------|---|
| 1 | 91002801400 | O-RING | 2 | | 1B P14 | | | |
| 100 | 36606450000 | VALVE ASSY,COUNTERBALANCE | 1 | | | | | |

AT-80-3 42006300002 UPPER

| Pos No. | Parts No | Parts Name | Qty | Unit | Technical Data | Serial No (Start) | Serial No (End) |
|---------|-------------|---------------------------------|-----|------|----------------|-------------------|-----------------|
| 1 | 42460012550 | WEDGE (STOPPER FOR TIRE/JUSTIN) | 1 | | | | |

AT-80-3 42006300002 UPPER

| Pos No. | Parts No | Parts Name | Qty | Unit | Technical Data | Serial No (Start) | Serial No (End) | Remarks | P |
|---------|-------------|---------------------|-----|------|----------------|-------------------|-----------------|---------|---|
| 1 | 42501600100 | BOX,TOOL | 1 | | | | | | |
| 2 | 42501601000 | COVER (WITH BUCKLE) | 1 | | | | | | |
| 3 | 90183106010 | BOLT | 3 | | M6X1.0 | | | | |
| 4 | 90183108030 | BOLT | 3 | | M8X30 | | | | |
| 5 | 90201200600 | NUT | 3 | | M6 | | | | |
| 6 | 90201200800 | NUT | 3 | | M8 | | | | |
| 7 | 42501600200 | SPACER | 3 | | | | | | |
| 8 | 82467032808 | CAP | 3 | | | | | | |

CLICK HERE TO **DOWNLOAD** THE COMPLETE MANUAL

- Thank you very much for reading the preview of the manual.
- You can download the complete manual from: www.heydownloads.com by clicking the link below



- Please note: If there is no response to CLICKING the link, please download this PDF first and then click on it.

CLICK HERE TO **DOWNLOAD** THE COMPLETE MANUAL