

AT-270-1 42083120100 LOWER,MITSUBISHI KC-FH227GN

PX1000709-00 MOUNTING PARTS

PY1000639-00 OPTIONS

ASSEMBLY

CLICK HERE TO **DOWNLOAD** THE COMPLETE MANUAL

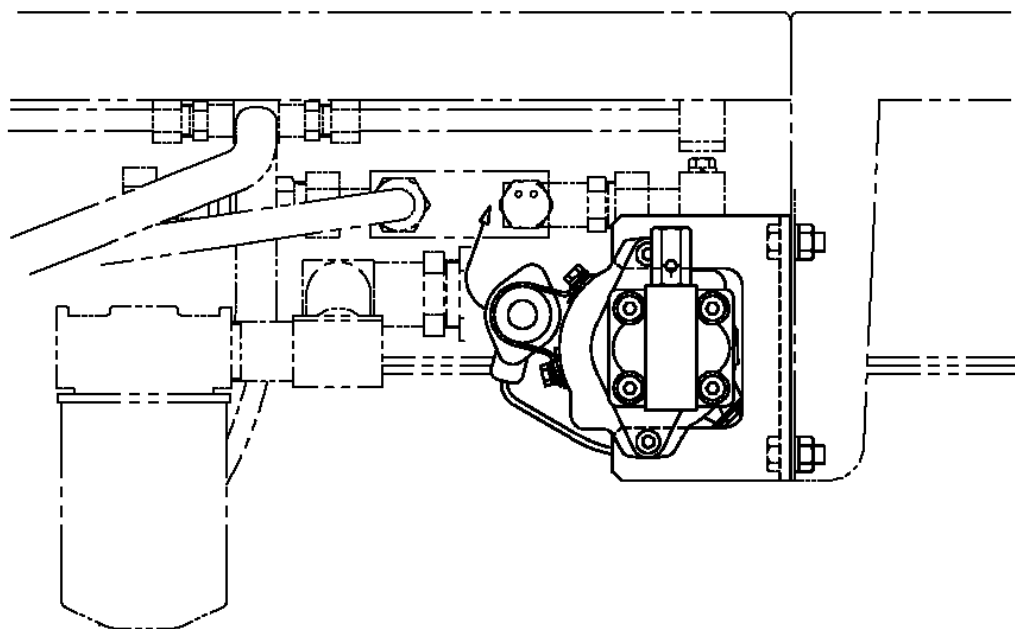
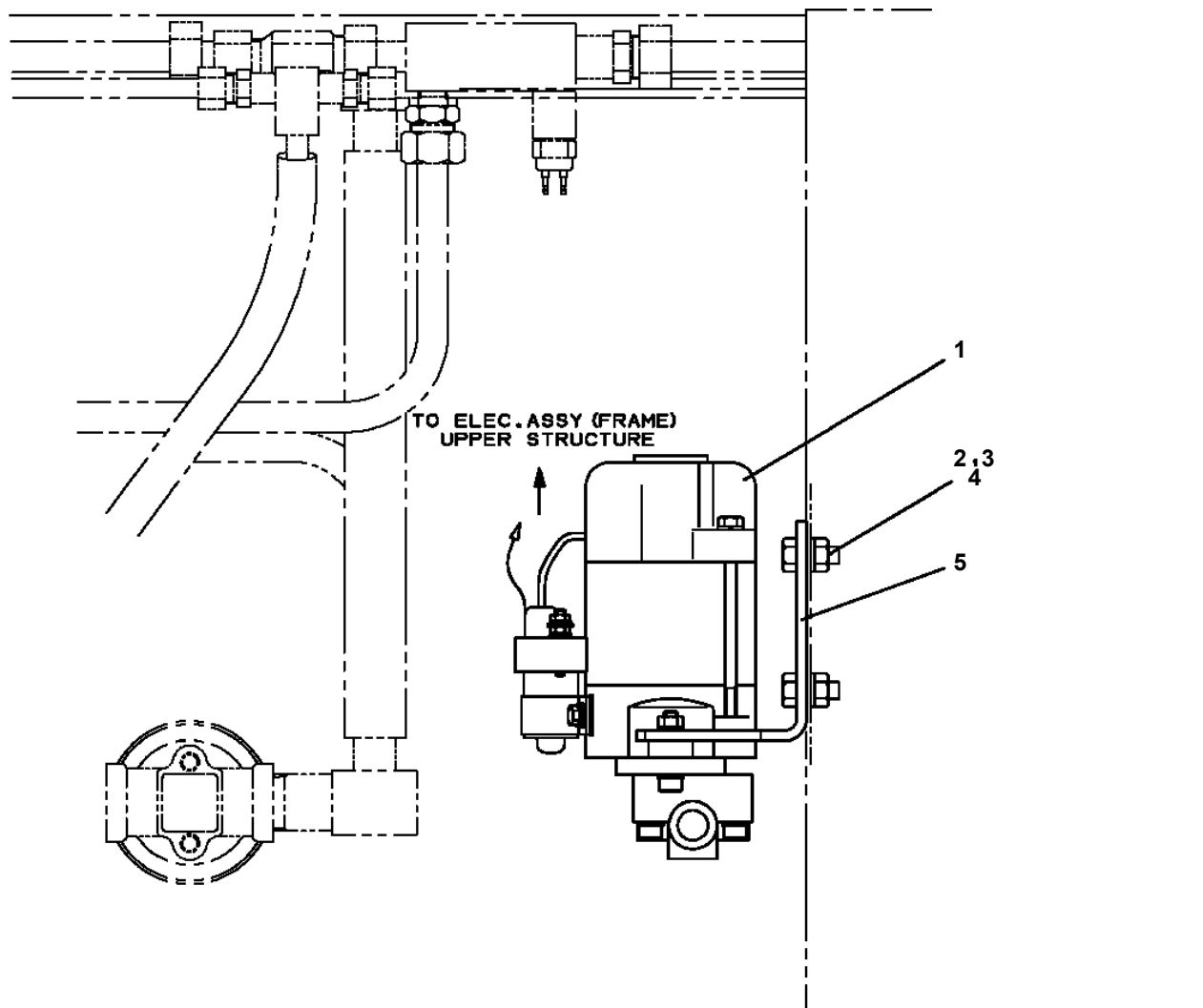
- Thank you very much for reading the preview of the manual.
- You can download the complete manual from: www.heydownloads.com by clicking the link below



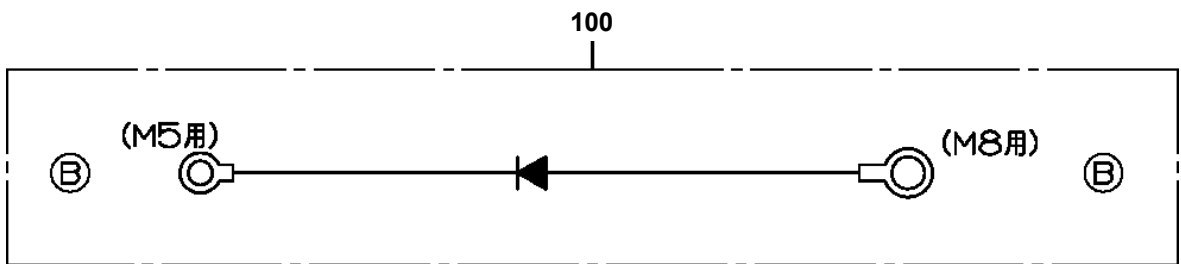
- Please note: If there is no response to CLICKING the link, please download this PDF first and then click on it.

CLICK HERE TO **DOWNLOAD** THE COMPLETE MANUAL

**AT-270-1 42083120100 LOWER, MITSUBISHI KC-FH227GN
PB1380024-02 POWER SUPPLY (MOUNT, EMERGENCY PUMP)**



AT-270-1 42083120100 LOWER, MITSUBISHI KC-FH227GN
PH5034452-00 HARNESS



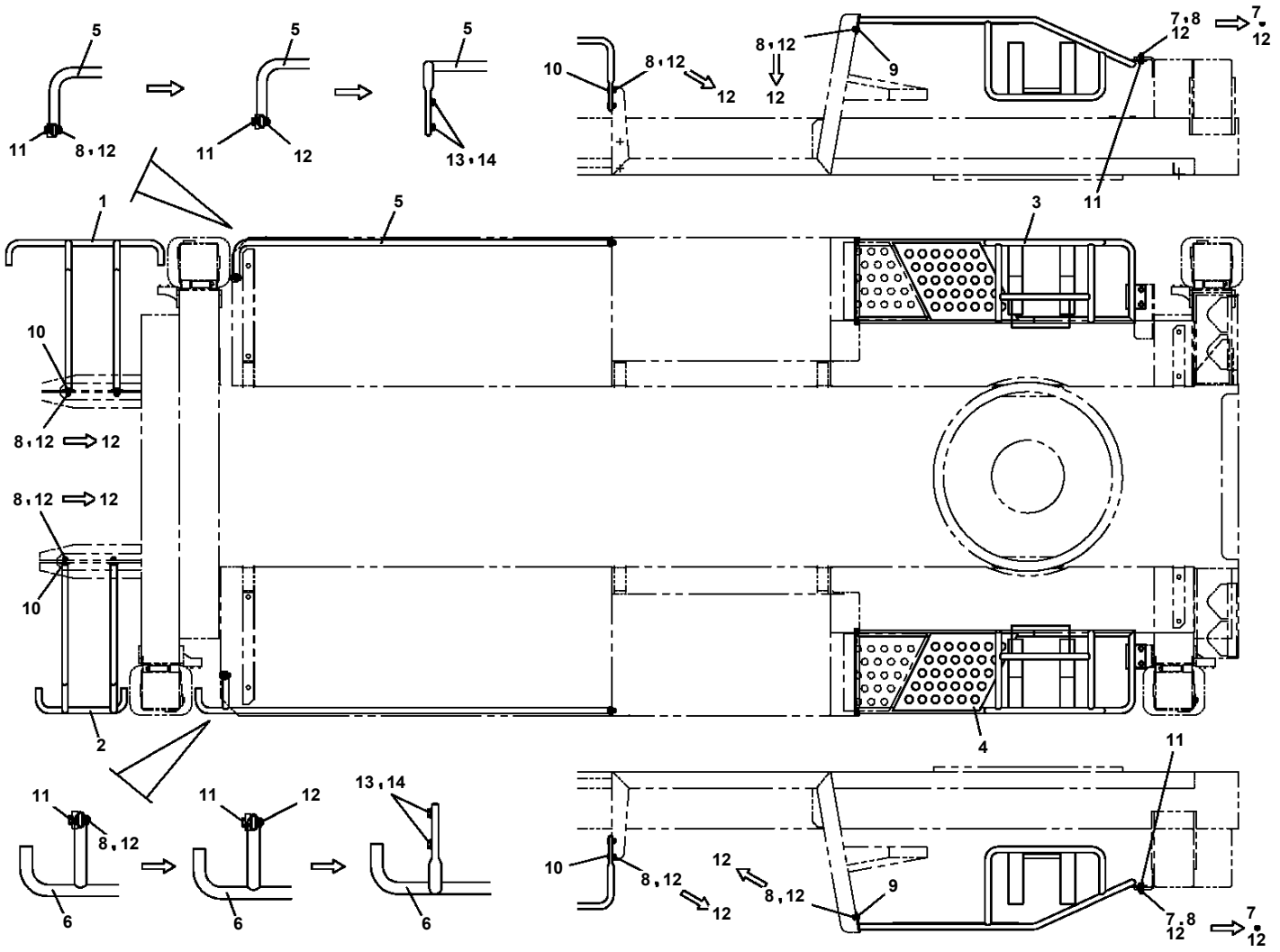
AT-270-1 42083120100 LOWER,MITSUBISHI KC-FH227GN

Pos No.	Parts No	Parts Name	Qty	Unit	Technical Data	Serial No (Start)	Serial No (End)	Remarks
1	42931700100	HARNES	1					
2	90101208025	BOLT	2		M8X25			
3	90303070801	WASHER,PLAIN	2		8			
4	90302040801	WASHER,SPRING	2		8			
5	90201200800	NUT	2		M8			
6	82111101510	TERMINAL	2					
7	91810132530	FASTENER	15					
8	82114102020	CONNECTOR	1					
9	82100000191	TERMINAL	6					
10	82100000183	INSULATOR	6					
11	82100000192	TERMINAL	6					
12	82100000182	INSULATOR	6					
13	(*****)	HOUR METER	1					
14	82111101010	TERMINAL	2					
15	82121102020	HOLDER	2					
16	82114101020	CONNECTOR (2P,MALE)	1					
17	82121101085	PLUG (AVS0.85)	4					
18	82100002009	CLAMP	3		WRC12			

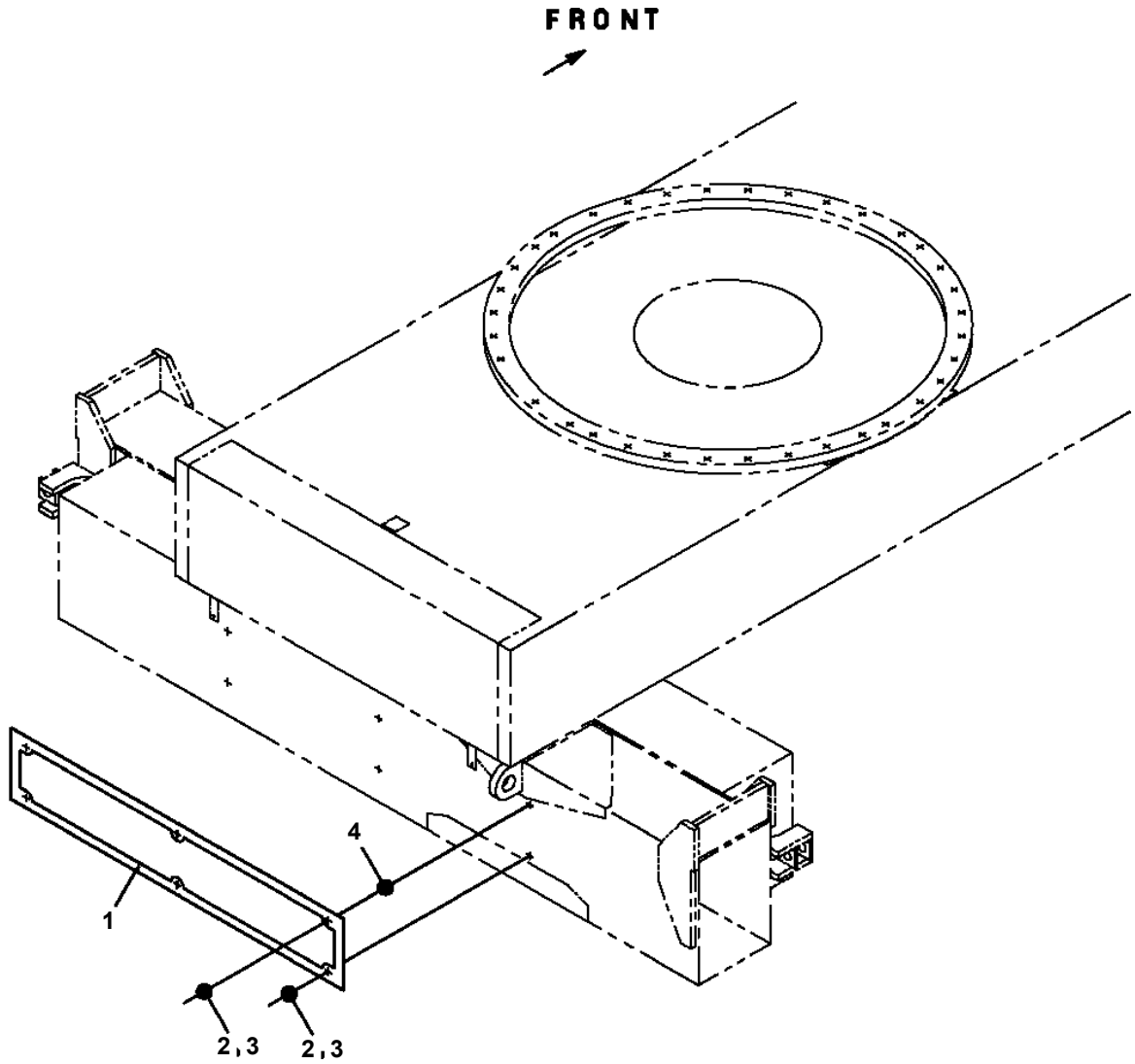
AT-270-1 42083120100 LOWER,MITSUBISHI KC-FH227GN

Pos No.	Parts No	Parts Name	Qty	Unit	Technical Data	Serial No (Start)	Serial No (End)
1	42460012530	WEDGE (STOPPER FOR TIRE/WAZUMI)	1				

**AT-270-1 42083120100 LOWER, MITSUBISHI KC-FH227GN
PX1200371-03 SIDE GUARD INSTALLATION**



**AT-270-1 42083120100 LOWER, MITSUBISHI KC-FH227GN
PX1360021-01 REFLECTOR INSTALLATION**



CLICK HERE TO **DOWNLOAD** THE COMPLETE MANUAL

- Thank you very much for reading the preview of the manual.
- You can download the complete manual from: www.heydownloads.com by clicking the link below



- Please note: If there is no response to CLICKING the link, please download this PDF first and then click on it.

CLICK HERE TO **DOWNLOAD** THE COMPLETE MANUAL