

AT-145-1 42043240900 LOWER,ISUZU KC-NKR66E3N 5H

PO1000131-03 INDICATION PLATES

PX2000251-00 CARRIER UNIT

PX3000172-00 MOUNTING UNIT

PY1000803-00 OPTIONS,1

PY1000807-00 OPTIONS,2

ASSEMBLY

CLICK HERE TO **DOWNLOAD** THE COMPLETE MANUAL

- Thank you very much for reading the preview of the manual.
- You can download the complete manual from: www.heydownloads.com by clicking the link below



- Please note: If there is no response to CLICKING the link, please download this PDF first and then click on it.

CLICK HERE TO **DOWNLOAD** THE COMPLETE MANUAL

AT-145-1 42043240900 LOWER,ISUZU KC-NKR66E3N 5H

Pos No.	Parts No	Parts Name	Qty	Unit	Technical Data	Serial No (Start)	Serial No (End)
1	(*****)	LAMP (O/R FLICKER)	1				
2	42731680000	WOOD BLOCK (WITH RUBBER,T=80)	1				
	(*****)	WOOD BLOCK (W=350,H=80)	1				
3	(*****)	EARTHING DEVICE	1				
5	(*****)	STEP (FOR ENTRY INTO CAB)	1				

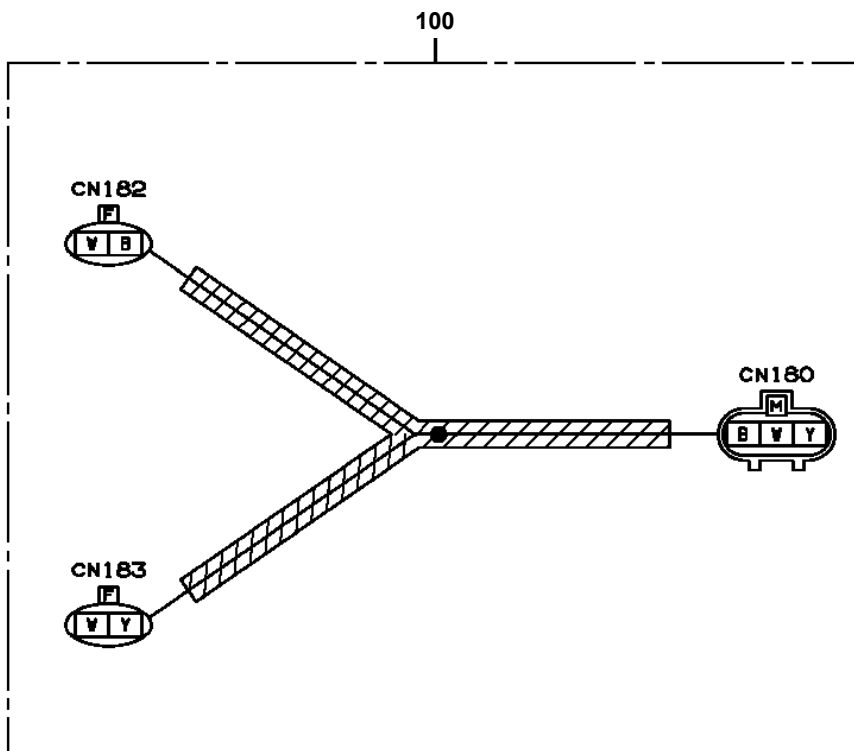
AT-145-1 42043240900 LOWER,ISUZU KC-NKR66E3N 5H

Pos No.	Parts No	Parts Name	Qty	Unit	Technical Data	Serial No (Start)	Serial No (End)	Re
1	42733650010	HARNESS	1					
2	91810130240	FASTENER	10					
3	82100002004	CLAMP	3		WR8			
4	90201200600	NUT	3		M6			
5	90302040601	WASHER,SPRING	7		6			
6	42731731000	BOX ASSY (CONNECTOR)	2					
7	90101206016	BOLT	7		M6X16			
8	42733650020	SUPPORT	1					
9	42733650030	SUPPORT	1					
10	90101208016	BOLT	2		M8X16			
11	90302040801	WASHER,SPRING	2		8			
12	82420102413	TRIM	1	M				
13	42733650040	PLATE,NAME (POWER SOURCE)	2					
21	82100002399	CONNECTOR	2					
22	82100002129	PLATE	2					
23	80172304008	SCREW,MACHINE	4		M4X8			
24	90302040401	WASHER,SPRING	4		4			
25	42731731010	CASE	2					
26	42731731050	HARNESS	2					
27	42731731060	HARNESS	2					
28	82400000072	GROMMET	2					

AT-145-1 42043240900 LOWER,ISUZU KC-NKR66E3N 5H

Pos No.	Parts No	Parts Name	Qty	Unit	Technical Data	Serial No (Start)
1	80305010120	FITTING,TEE	3		ZKTA15-000N	
3	90101208050	BOLT	2		M8X50	
4	90302040801	WASHER,SPRING	9		8	
5	42736620200	SUPPORT	1			
6	90131508012	BOLT,HEXAGON SOCKET <M8X12.	3			
7	42340013200	JOINT,SELF SEALING (WITH CAP)	1			
8	80456020610	JOINT,SELF SEALING	1			
9	42733682200	COVER ASSY	1			
10	81408000210	PIPE,STEEL	1	M	15X2.0T	
11	81408000210	PIPE,STEEL	1	M	15X2.0T	
12	37000711090	CLAMP ASSY	1		18X2	
13	37000300750	SLEEVE	2		18-15	
14	37000514590	PLATE	1			
15	80320010080	FITTING	1		KUD12-030N	
16	81408000210	PIPE,STEEL	1	M	15X2.0T	
17	42736050400	HARNESS	1			
18	42350250070	PLUG (2 POLES,MALE)	1			
19	80303130201	FITTING,ELBOW	1		KLO15-040E	
20	80302090201	FITTING	1		KCO15-040N	
21	81408000210	PIPE,STEEL	1	M	15X2.0T	
22	91002801800	O-RING	1		1B P18	
23	81408000210	PIPE,STEEL	1	M	15X2.0T	
24	81408000210	PIPE,STEEL	1	M	15X2.0T	
25	81408000210	PIPE,STEEL	1	M	15X2.0T	
26	81408000210	PIPE,STEEL	1	M	15X2.0T	
27	42736051000	BOOSTER	1			
28	80306010100	NUT	2		KKN12-000N	
	80306010105	NUT	2		KKN12-000E	226811
29	80309010100	SLEEVE	2			
	80309010105	SLEEVE	2		KK012-000E	226811
30	81408000210	PIPE,STEEL	1	M	15X2.0T	
31	81408000210	PIPE,STEEL	1	M	15X2.0T	
32	81408000160	PIPE,STEEL	1	M	12X1.4T	
33	80302090141	FITTING	1		KCO12-020N	
34	91002801100	O-RING	3		1B P11	
35	80305140120	FITTING,TEE	1		KTB12-00	
36	90101208016	BOLT	4		M8X16	
37	37002201980	PLATE,NAME	1			
38	42736050500	PLATE,NAME	1			
39	42736050510	PLATE,NAME	1			
40	91810132530	FASTENER	3			
43	(*****)	POWER SUPPLY (LOWER HYDRAULIC OUTLET SW)	1			
44	37000924700	JOINT	1			
45	80303130181	FITTING,ELBOW	1		KLO15-030E	
46	91002801400	O-RING	1		1B P14	
47	37000920740	JOINT	1			
48	80302090181	FITTING	1		KCO15-030N	
61	42736001200	FITTING,FLANGE	1			
62	36603710000	VALVE,RELIEF	1			
63	42733682401	VALVE,SOLENOID (WITH CONNECTOR)	1			
64	80303130201	FITTING,ELBOW	3		KLO15-040E	
66	90172106125	BOLT,HEXAGON SOCKET	4		M6X125	
67	80316070060	PLUG	1		PF3/8	
68	91002801400	O-RING	2		1B P14	
69	80316070040	PLUG	1		PF1/4	
70	91002801100	O-RING	1		1B P11	
71	37000925740	JOINT	1		S G1/2-G1/2	
81	42340017510	CAP (DUST)	1			
91	42733682210	COVER	1			
92	42733682240	COVER	1			
93	90201200300	NUT	12		M3	
94	80172303008	SCREW,MACHINE	4		M3X8	
95	90302040301	WASHER,SPRING	12		3	

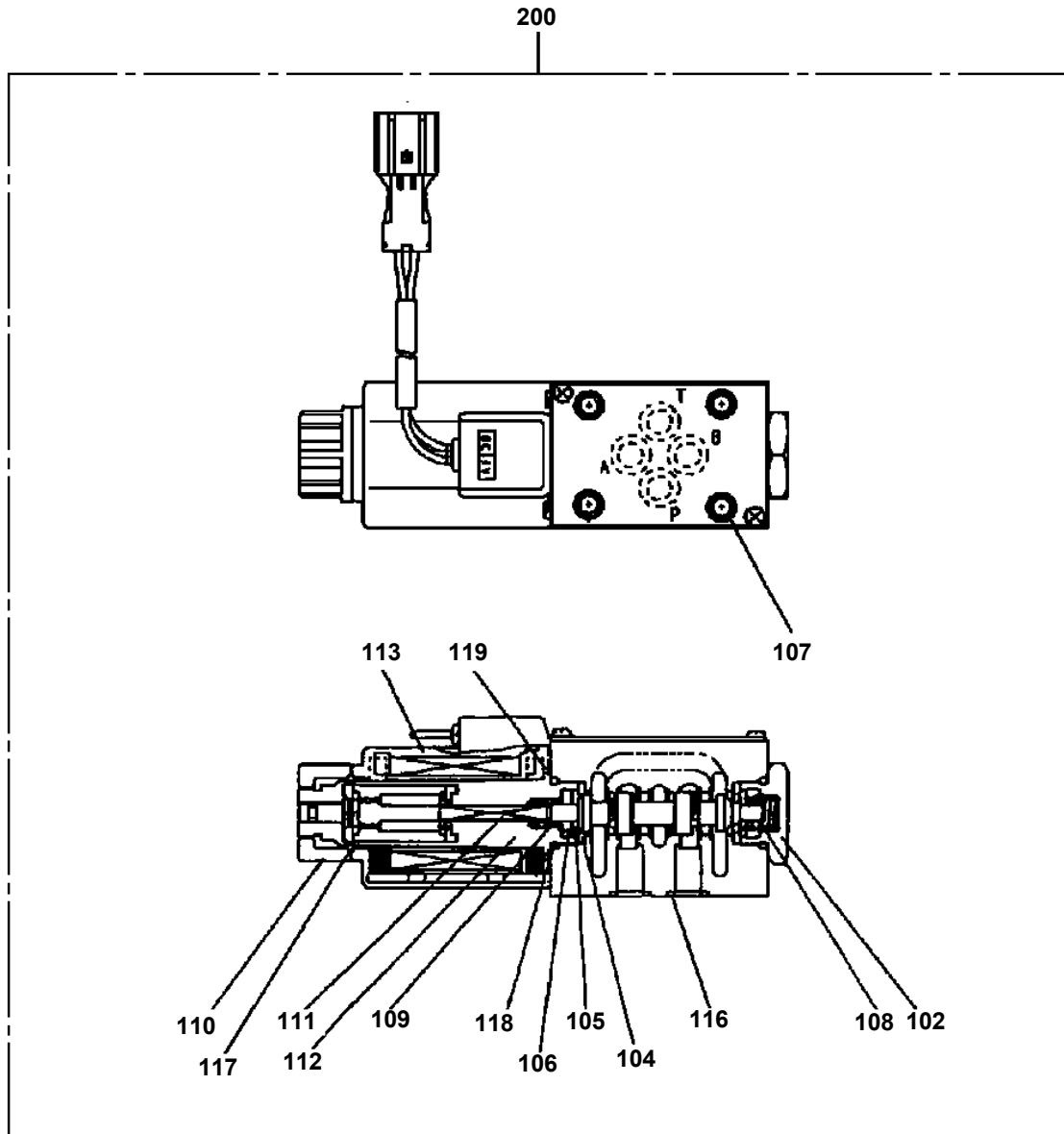
AT-145-1 42043240900 LOWER,ISUZU KC-NKR66E3N 5H
PH5032783-00 HARNESS



AT-145-1 42043240900 LOWER,ISUZU KC-NKR66E3N 5H

Pos No.	Parts No	Parts Name	Qty	Unit	Technical Data	Serial No (Start)	Serial No (End)	Remarks
9	36642665010	SPRING (C)	2				226731	
17	36645735010	CONNECTOR	1				226731	
18	36645025040	COIL	1				226731	
20	36642665060	WASHER	2				226731	
23	36645735030	O-RING	1				226731	
24	91002800900	O-RING	4		1B P9		226731	
25	91000501700	O-RING	1				226731	
26	36640565040	O-RING	2				226731	
27	91000501900	O-RING	2				226731	
30	36645885010	GUIDE KIT	1				226731	
191	36645881000	VALVE,SOLENOID	1			226732		
192	90131905045	BOLT,HEXAGON SOCKET	4		M5X45	226732		
200	36645880000	VALVE,SOLENOID	1					

AT-145-1 42043240900 LOWER,ISUZU KC-NKR66E3N 5H
PI1120305-02 VALVE,SOLENOID



AT-145-1 42043240900 LOWER,ISUZU KC-NKR66E3N 5H

Pos No.	Parts No	Parts Name	Qty	Unit	Technical Data	Serial No (Start)	Serial No (End)	Remark
2	90201200800	NUT	2		M8			
3	90101208014	BOLT	2		M8X14			
4	90302040801	WASHER,SPRING	2		8			
5	82420506412	TRIM	N					
6	82100002673	CONNECTOR (0.5-0.85,RED)	2			226708	226707	
	82100002673	CONNECTOR (0.5-0.85,RED)	1					
7	82100001322	CONNECTOR	1					
8	82100001753	TERMINAL (MAIL)	1					
9	82100001752	TERMINAL (FEMALE)	1					
10	82100001231	INSULATOR	1					
11	82100000192	TERMINAL	4					
12	82100000182	INSULATOR	4					
13	82100000191	TERMINAL	4					
14	82100000183	INSULATOR	4					
15	42930840201	HARNESS	1					
16	91810132530	FASTENER	10					
31	42930460110	SUPPORT	1					
32	42801990040	LAMP ASSY	1					
33	42930890210	PLATE,NAME	1					
34	42391164020	PLATE,NAME	1					
41	82100002524	LAMP,PILOT	1					
51	82198300503	LENS	1					

AT-145-1 42043240900 LOWER,ISUZU KC-NKR66E3N 5H

Pos No.	Parts No	Parts Name	Qty	Unit	Technical Data	Serial No (Start)	Serial No (End)	Remarks	Pa
1	42831257510	CASE	1						
	42831257510	CASE	1						
2	42831257520	PANEL	1						
	42831257520	PANEL	1						
3	82100001719	CONNECTOR	1						
	82100001719	CONNECTOR	1						
4	42831257530	CABLE ASSY	1						
	42831257530	CABLE ASSY	1						
5	42831257540	CABLE ASSY	1						
	42831257540	CABLE ASSY	1						
6	42831257550	BREAKER (NO FUSE)	1		20A				
	42831257550	BREAKER (NO FUSE)	1		20A				
7	42831257560	TIMER (SOLID STATE)	1						
	42831257560	TIMER (SOLID STATE)	1						
8	42330037960	LAMP (LED)	2						
	42330037960	LAMP (LED)	2						
9	42831257570	SWITCH,TOGGLE	1						
	42831257570	SWITCH,TOGGLE	1						
10	42831257580	SWITCH,PUSH	1						
	42831257580	SWITCH,PUSH	1						
11	42831257590	SWITCH,SELECTOR	1						
	42831257590	SWITCH,SELECTOR	1						
12	42831257600	HOLDER,FUSE	2						
	42831257600	HOLDER,FUSE	2						
13	82100001927	CAP	1						
	82100001927	CAP	1						
21	42831257610	FUSE	1		30A				
	42831257610	FUSE	1		30A				
22	42831257620	FUSE	1		15A				
	42831257620	FUSE	1		15A				
30	42831252200	CONTROL BOX	1						
	42831252200	CONTROL BOX	1						

AT-145-1 42043240900 LOWER,ISUZU KC-NKR66E3N 5H

Pos No.	Parts No	Parts Name	Qty	Unit	Technical Data	Serial No (Start)	Serial No (End)
1	42460012530	WEDGE (STOPPER FOR TIRE/WAZUMI)	1				

AT-145-1 42043240900 LOWER,ISUZU KC-NKR66E3N 5H

Pos No.	Parts No	Parts Name	Qty	Unit	Technical Data	Serial No (Start)	Serial No (End)	Remarks	Pages
1	90303070601	WASHER,PLAIN	1		6				
2	90302040601	WASHER,SPRING	1		6				
3	90201200600	NUT	1		M6				
4	90101206016	BOLT	1		M6X16				
5	82400000345	CHAIN (QTY=L)	1	M					
6	90101210022	BOLT	6		M10X22		226474		
	90101210025	BOLT	6		M10X25	226475			
7	90201201000	NUT	6		M10				
8	90302041001	WASHER,SPRING	6		10				
9	42772320700	GUARD,SIDE	1						
10	42772320800	GUARD,SIDE	1						
11	42771180100	SUPPORT	1						
12	90101208016	BOLT	6		M8X16				
14	90302040801	WASHER,SPRING	4		8				
15	42772320300	SUPPORT	1						
35	56360013000	PLATE	1						
36	90302041001	WASHER,SPRING	4		10				
37	90101210030	BOLT	2		M10X30		226819		
	90171110030	BOLT	2		M10X30	226820			
50	90101210020	BOLT	2		M10X20				
51	90303071001	WASHER,PLAIN	2		10				

CLICK HERE TO **DOWNLOAD** THE COMPLETE MANUAL

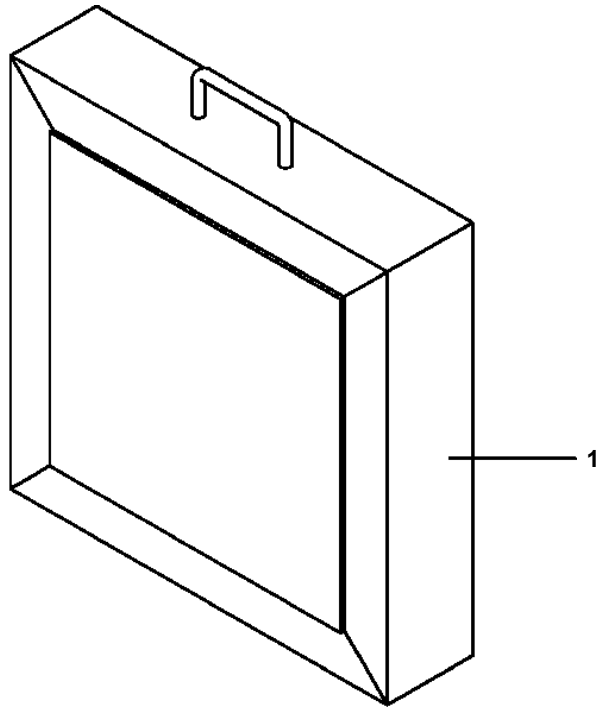
- Thank you very much for reading the preview of the manual.
- You can download the complete manual from: www.heydownloads.com by clicking the link below



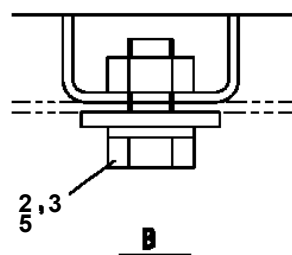
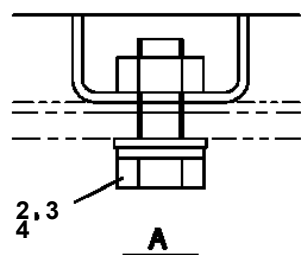
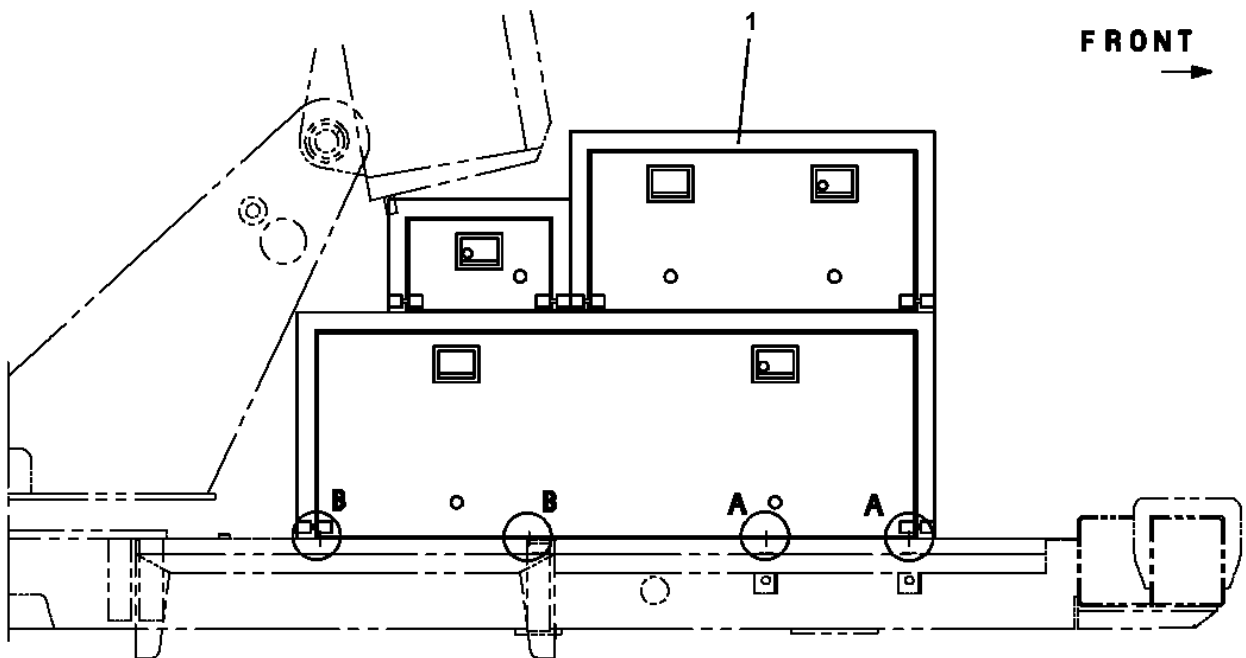
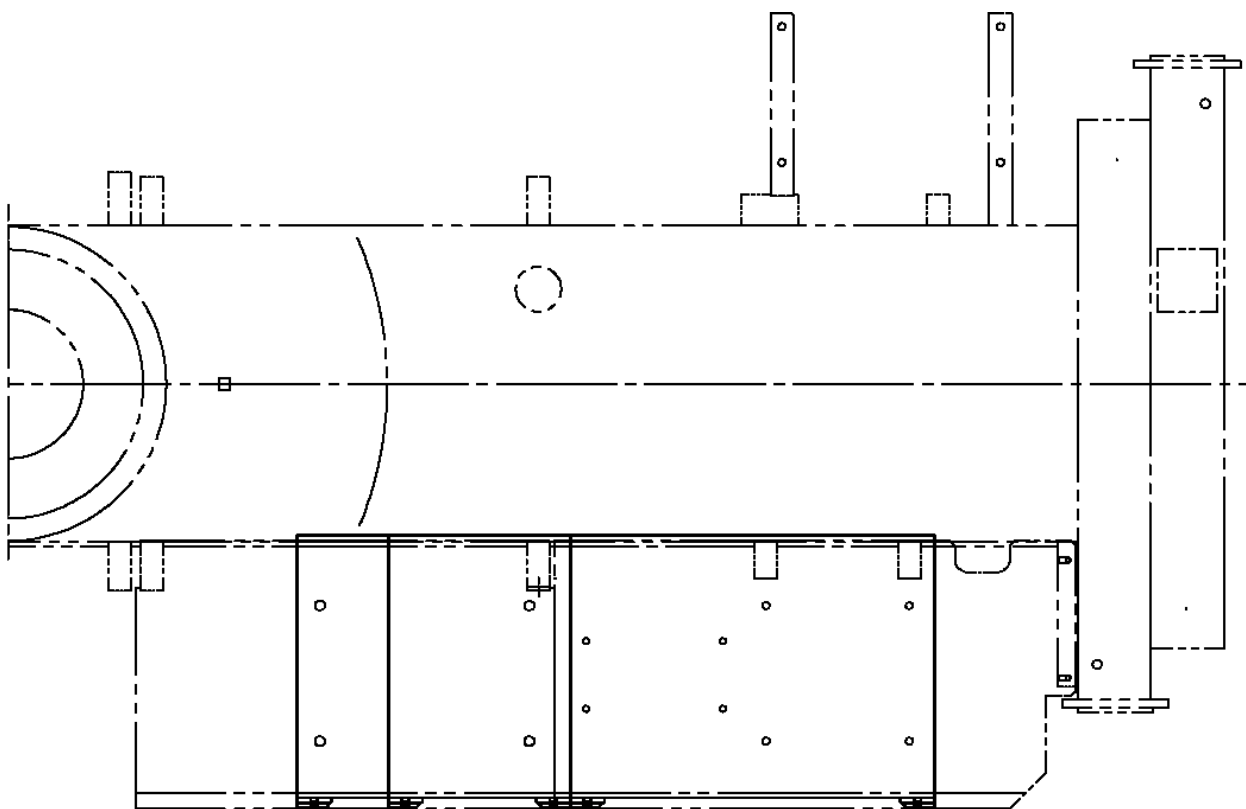
- Please note: If there is no response to CLICKING the link, please download this PDF first and then click on it.

CLICK HERE TO **DOWNLOAD** THE COMPLETE MANUAL

AT-145-1 42043240900 LOWER,ISUZU KC-NKR66E3N 5H
PX1270086-01 WOOD BLOCK (W=350,H=80)

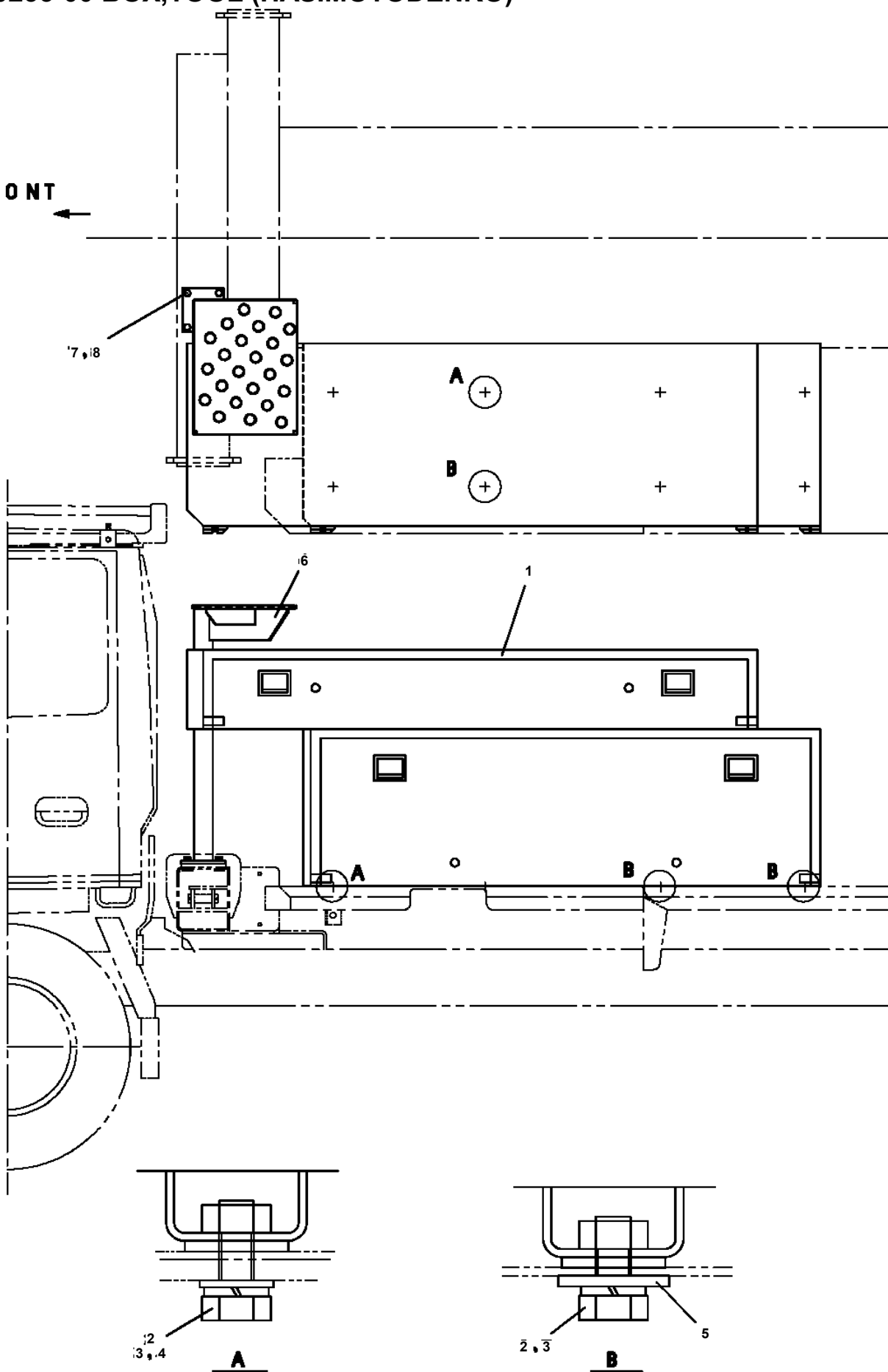


AT-145-1 42043240900 LOWER,ISUZU KC-NKR66E3N 5H
PX1350197-02 BOX,TOOL (RIGHT,SHINDEN)

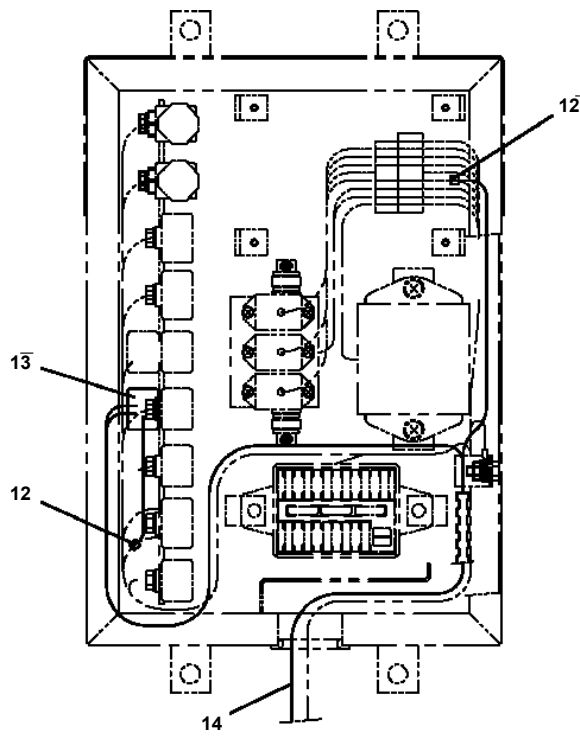


AT-145-1 42043240900 LOWER,ISUZU KC-NKR66E3N 5H
PX1350233-00 BOX,TOOL (HASIMOTODENKO)

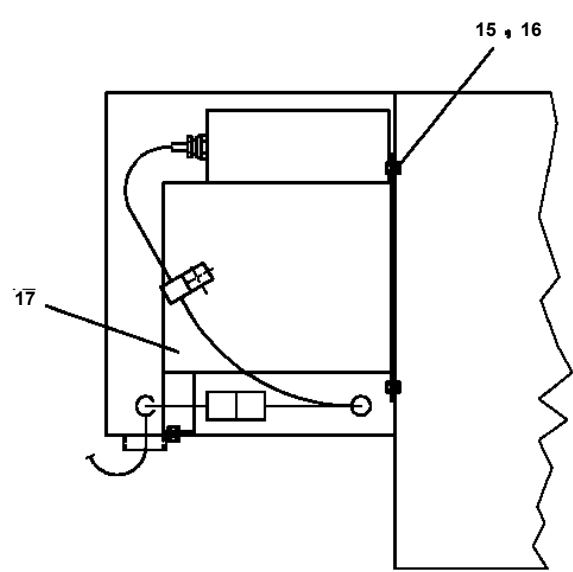
FRONT
←



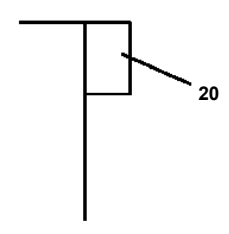
**AT-145-1 42043240900 LOWER,ISUZU KC-NKR66E3N 5H
PX1350241-00 BOX,TOOL (KYUUDEN)**



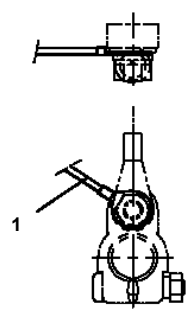
D



E - E

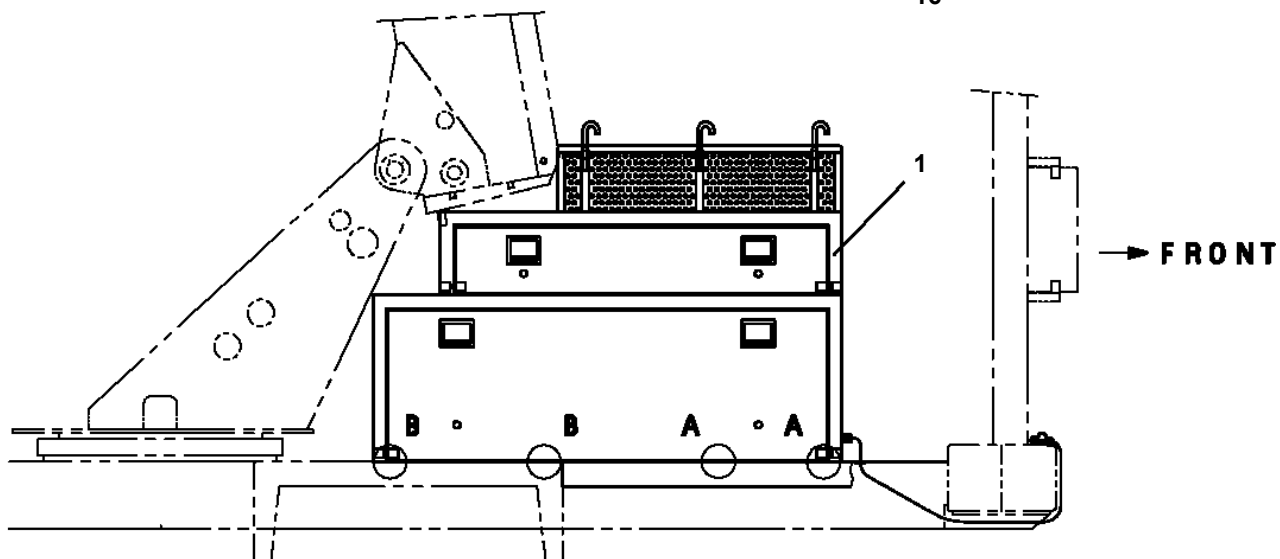
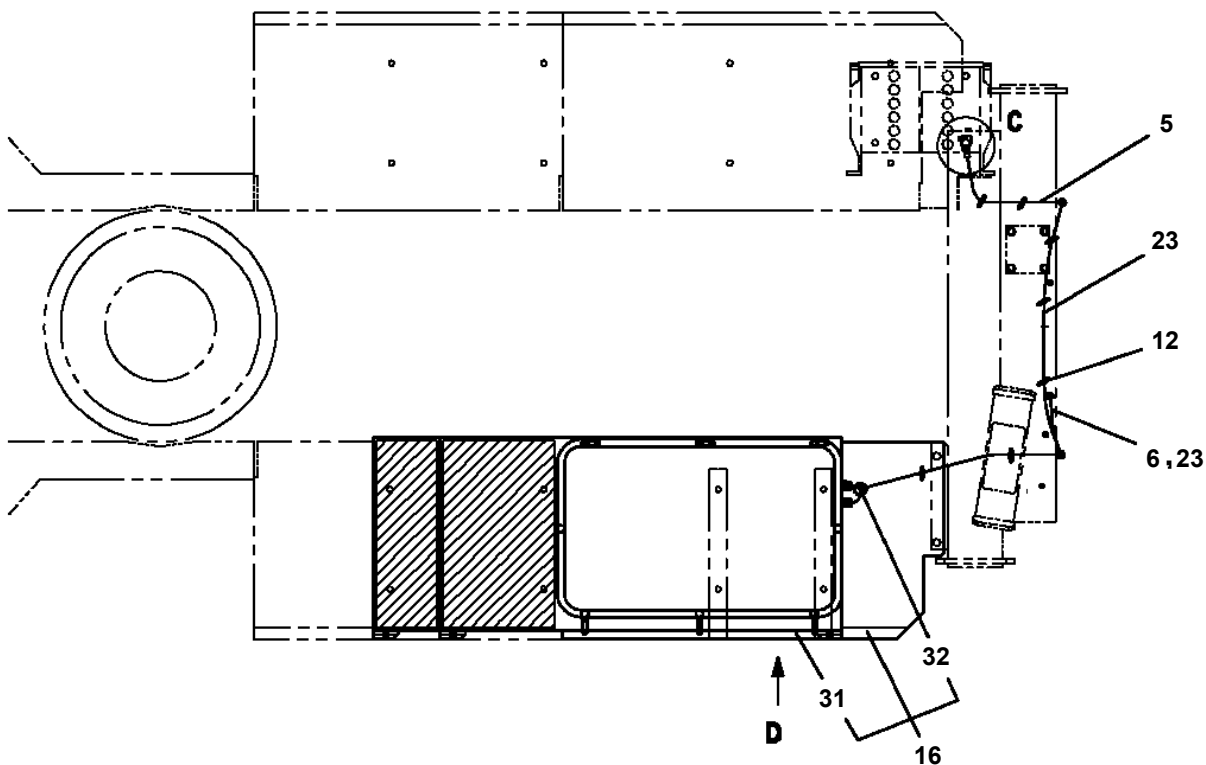
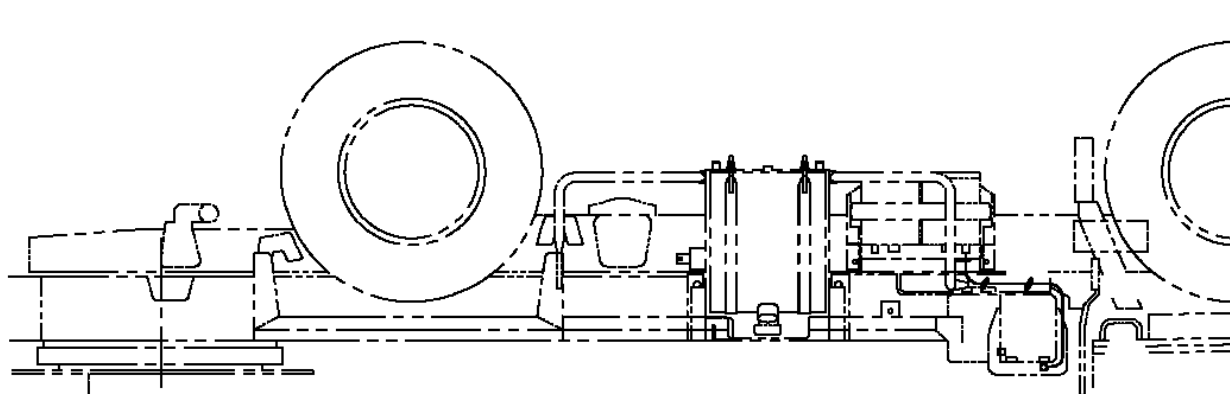


F



G (MITSUBISHI, TOYOTA)

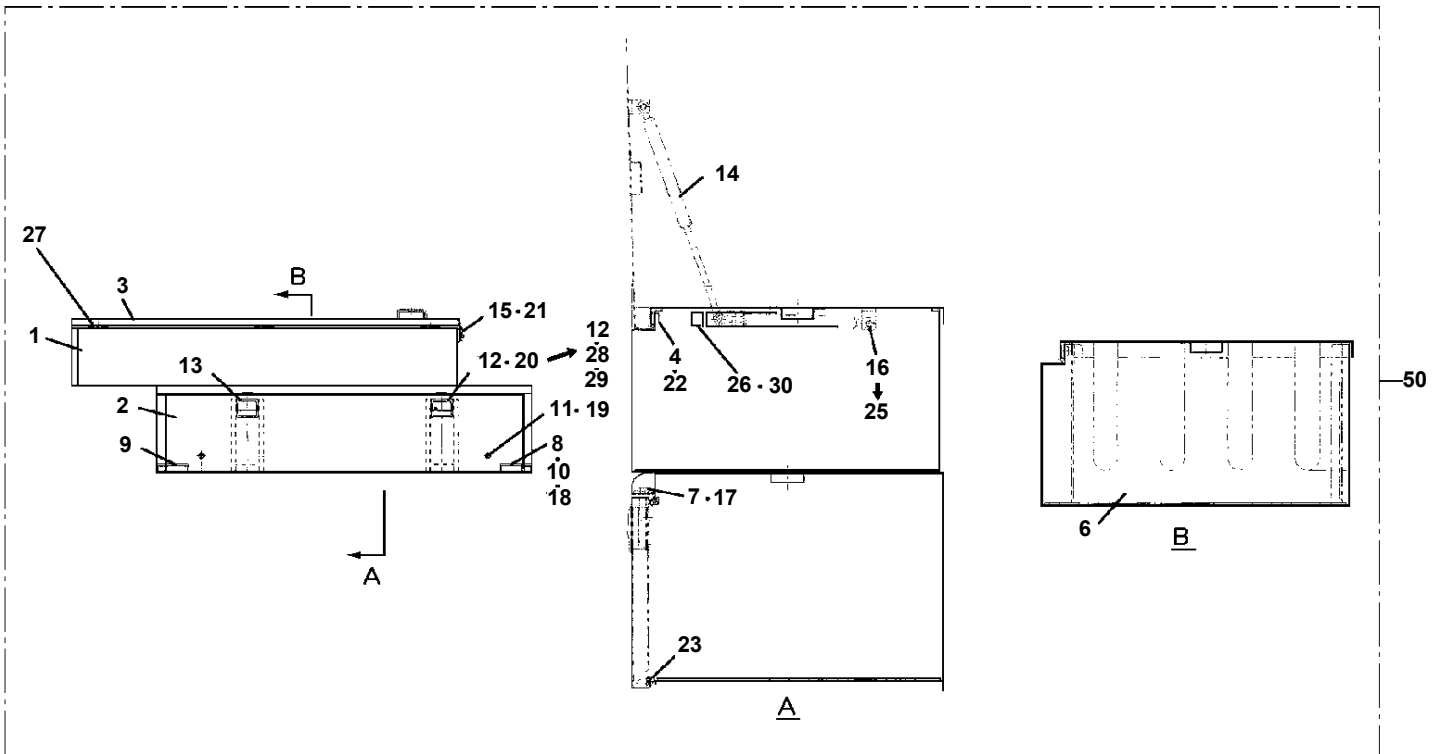
**AT-145-1 42043240900 LOWER,ISUZU KC-NKR66E3N 5H
PX1350250-01 BOX,TOOL (RIGHT,FOR NTT)**



AT-145-1 42043240900 LOWER,ISUZU KC-NKR66E3N 5H

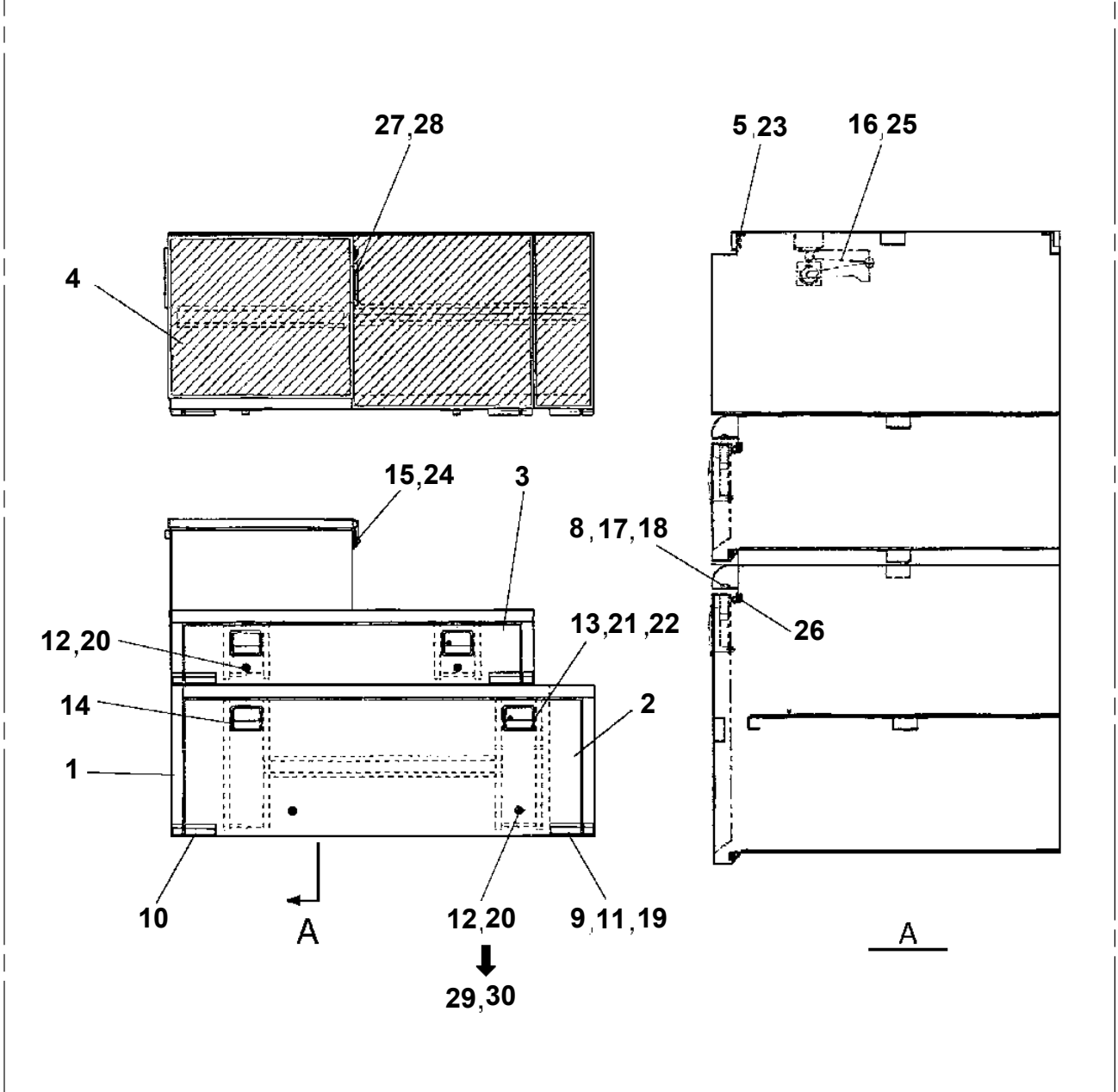
Pos No.	Parts No	Parts Name	Qty	Unit	Technical Data	Serial No (Start)	Serial No (End)
1	42832917530	BODY,BOX	1				
2	42832917540	WINDOW	1				
3	42832917550	WINDOW	1				
5	42833157550	SUPPORT	4				226497
6	42833157560	HINGE	2				
7	42833157570	HINGE	2				
8	42833157580	PIN	4				
9	82400000393	INSULATOR	4				
10	82461015111	CATCH (WITH KEY)	2				
11	82461015112	CATCH (WITHOUT KEY)	2				
12	42833157590	STRIKER	4				
13	80175804010	SCREW,MACHINE	8		M4X10		
14	42832917590	SCREW,MACHINE	12		M5X10		226497
	80192435010	SCREW,MACHINE	12		M5X10	226498	
15	42832917600	SCREW,MACHINE	4		M4X16		226497
	80192484016	SCREW,MACHINE	4		M4X16	226498	
16	90925050145	SCREW,TAPPING	16		M5X14		226497
	80192435012	SCREW,MACHINE	9		M5X12	226498	
17	42832917510	WEATHER STRIP (LOWER)	1				
18	42832917520	WEATHER STRIP (UPPER)	1				
19	80176805010	SCREW,MACHINE	8		M5X10	226498	
30	42832911000	BOX,TOOL (RIGHT,FOR YONDENKOU)	1				

AT-145-1 42043240900 LOWER,ISUZU KC-NKR66E3N 5H
PX1350290-00 BOX,TOOL (LEFT,FOR HOKKAIDODENRYOKU)



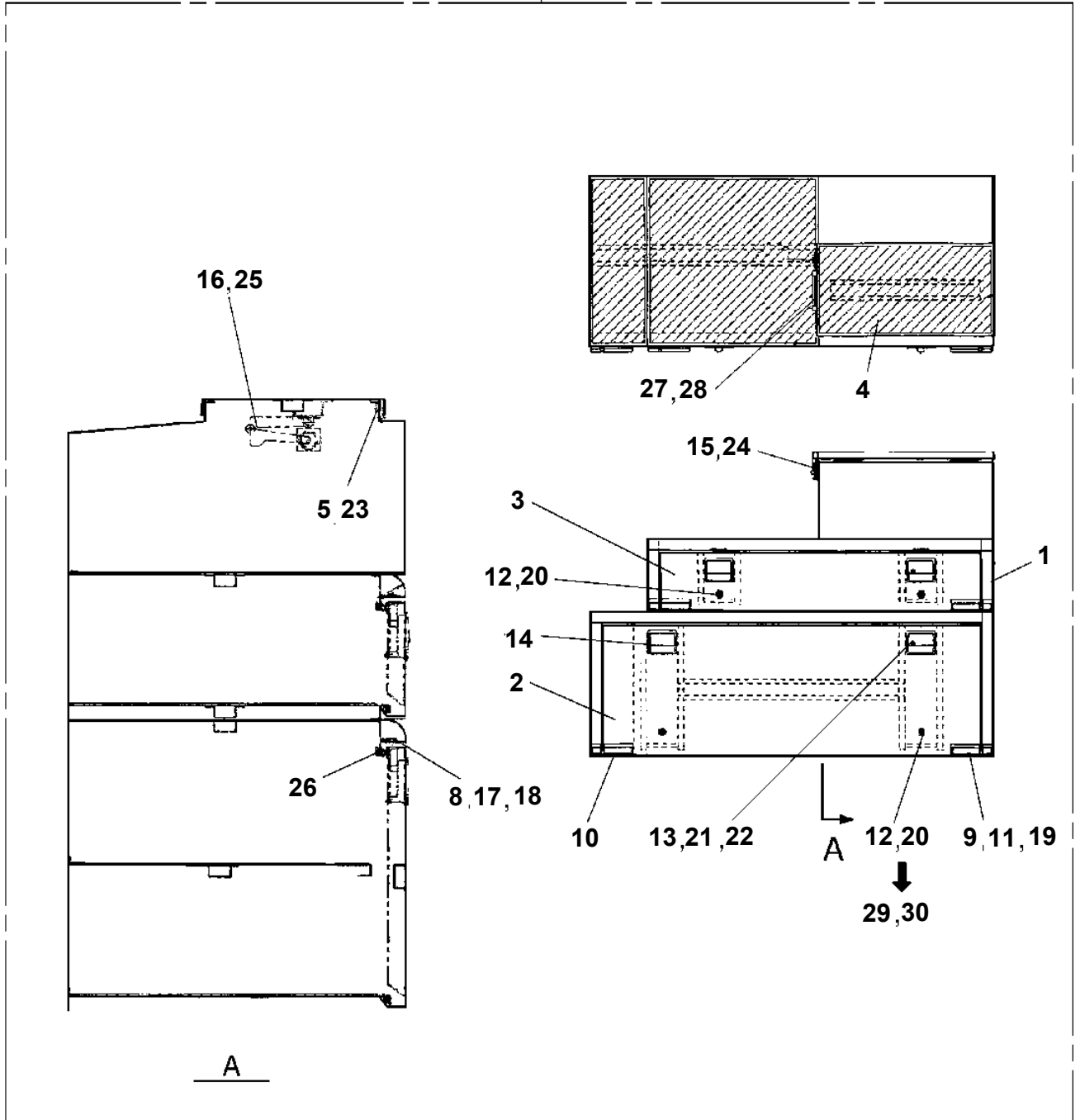
AT-145-1 42043240900 LOWER,ISUZU KC-NKR66E3N 5H
PX1350295-01 BOX,TOOL (LEFT,FOR TOTIDENKOU)

50

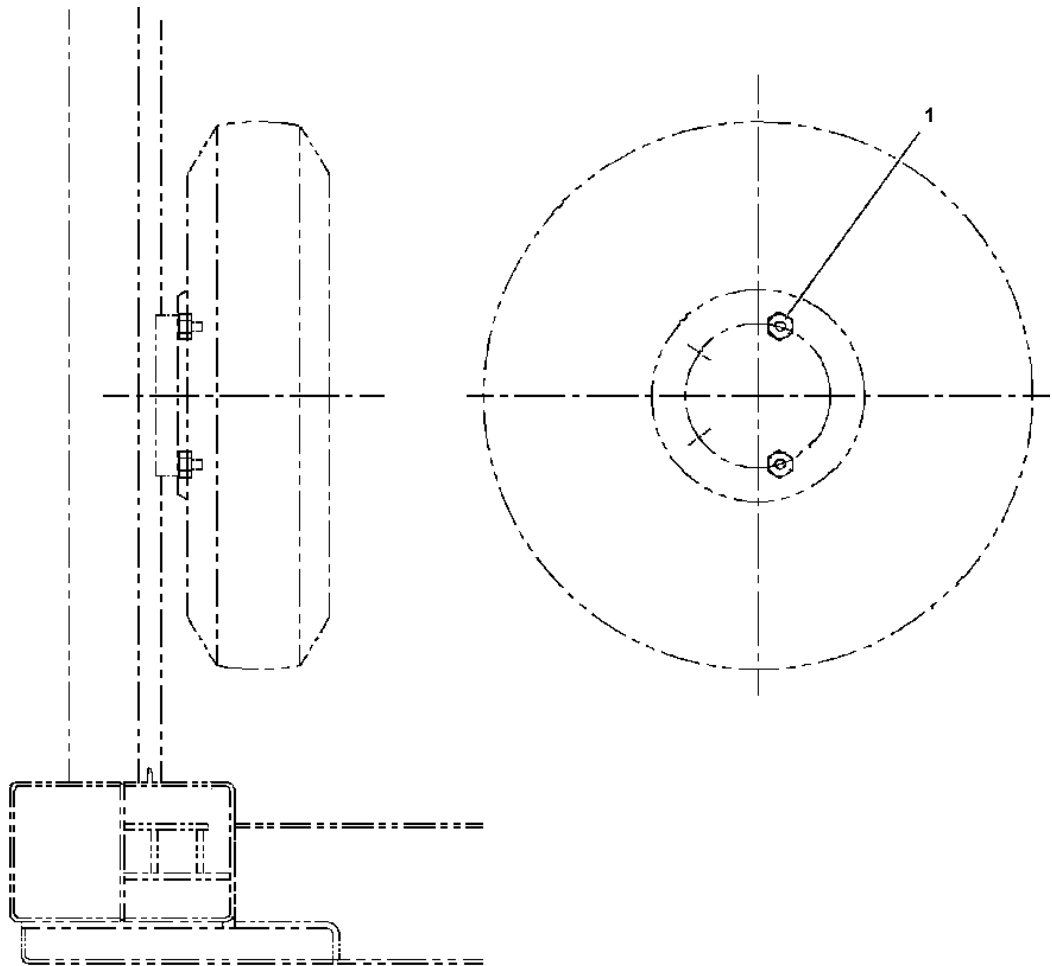


AT-145-1 42043240900 LOWER,ISUZU KC-NKR66E3N 5H
PX1350301-02 BOX,TOOL (RIGHT,FOR TOTIDENKOU)

50

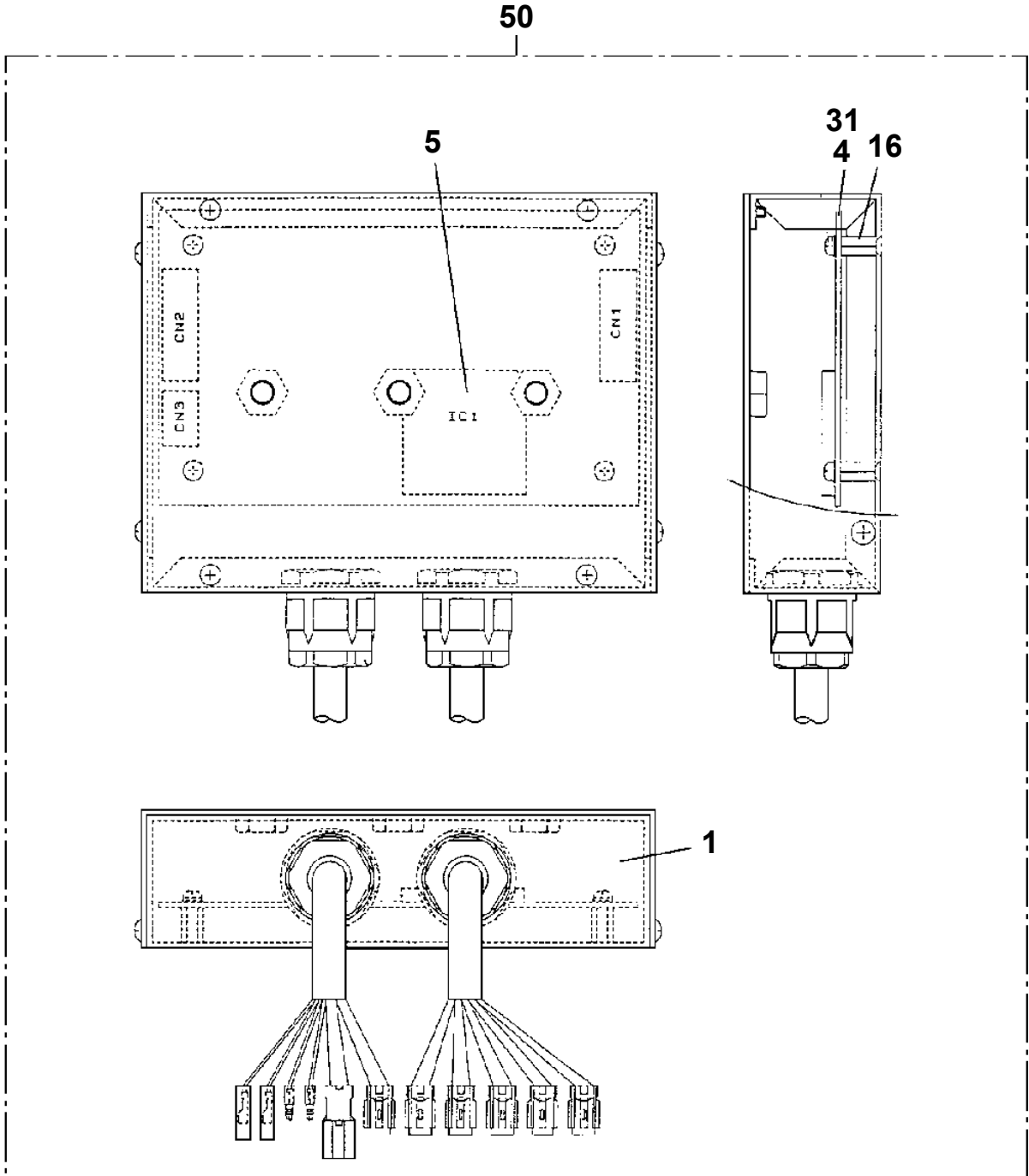


**AT-145-1 42043240900 LOWER,ISUZU KC-NKR66E3N 5H
PX1410139-00 MOUNT,TIRE**



FRONT ←

AT-145-1 42043240900 LOWER,ISUZU KC-NKR66E3N 5H
PY1240015-00 CONTROL UNIT (BOOSTER)



CLICK HERE TO **DOWNLOAD** THE COMPLETE MANUAL

- Thank you very much for reading the preview of the manual.
- You can download the complete manual from: www.heydownloads.com by clicking the link below



- Please note: If there is no response to CLICKING the link, please download this PDF first and then click on it.

CLICK HERE TO **DOWNLOAD** THE COMPLETE MANUAL