

AT-141-1 4204310002 UPPER

PD2000101-00 SWING UNIT

PG2000113-00 BOOM UNIT

PH1000545-00 SAFETY DEVICES (MOMENT LIMITER)

PJ3000358-00 BUCKET SYSTEM

PK2000431-00 FRAME UNIT

PO1000149-00 INDICATION PLATES

PY1000845-01 OPTIONS,1

PY1000851-01 OPTIONS,2

PY1000855-00 OPTIONS,3

ASSEMBLY

CLICK HERE TO **DOWNLOAD** THE COMPLETE MANUAL

- Thank you very much for reading the preview of the manual.
- You can download the complete manual from: www.heydownloads.com by clicking the link below



- Please note: If there is no response to CLICKING the link, please download this PDF first and then click on it.

CLICK HERE TO **DOWNLOAD** THE COMPLETE MANUAL

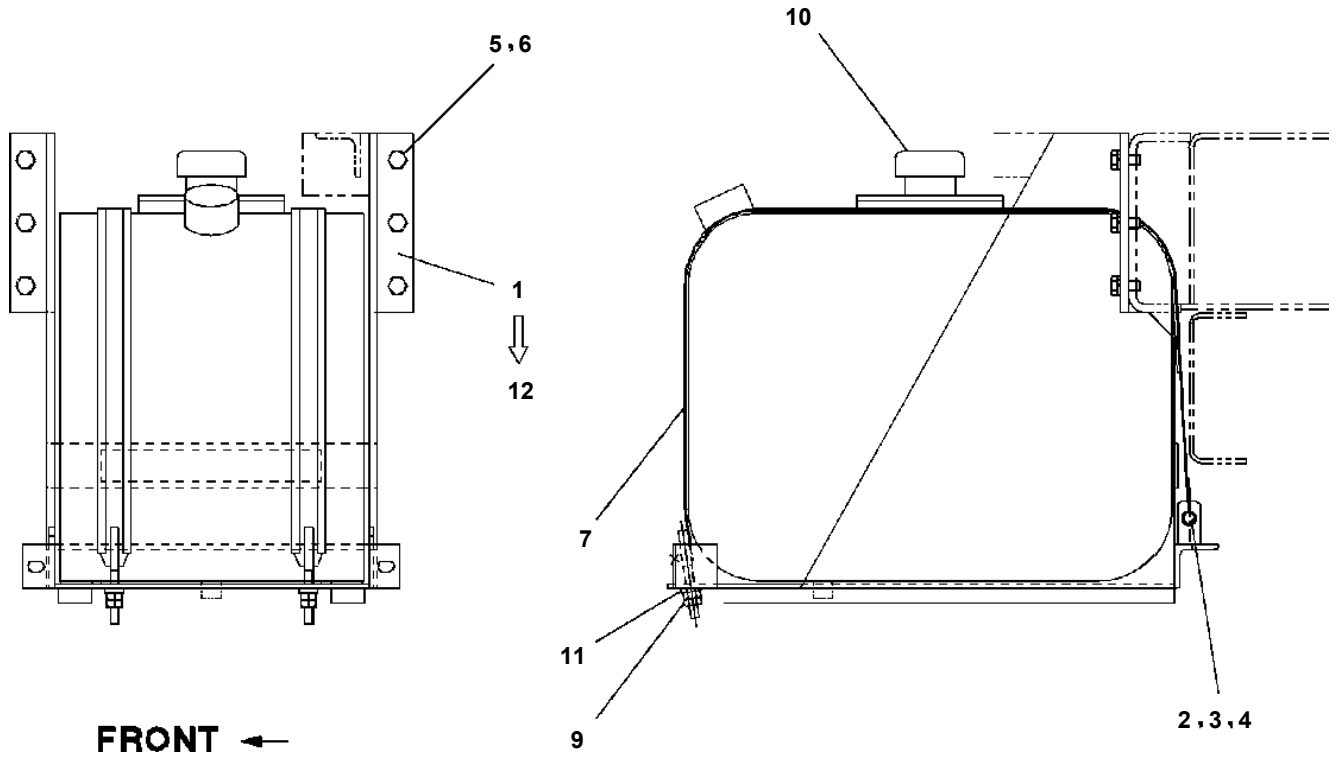
AT-141-1 4204310002 UPPER

Pos No.	Parts No	Parts Name	Qty	Unit	Technical Data	Serial No (Start)	Serial
1	(*****)	FRAME (WITHOUT ENGINE UNIT & MOTOR UNIT)	1				
2	(*****)	OUTRIGGER (FRONT)	1				22526
	(*****)	OUTRIGGER (FRONT)	1			225269	
3	(*****)	OUTRIGGER (REAR)	1				
4	(*****)	PIPING,LOWER (FRAME)	1				
5	(*****)	OPE.ASSY,OUTRIGGER	1				
6	(*****)	ELEC.ASSY (SUB FRAME)	1				22519
	(*****)	ELEC.ASSY (SUB FRAME)	1			225196	
7	(*****)	TANK,OIL (SUPPORT)	1				22538
	(*****)	TANK,OIL (SUPPORT)	1			225385	
8	(*****)	POWER SUPPLY (EMERGENCY PUMP)	1				22538
	(*****)	POWER SUPPLY (MOUNT,EMERGENCY PUMP)	1			225385	

AT-141-1 4204310002 UPPER

PB1100028-01 PUMP,HYDRAULIC (EMERGENCY)
PB1100101-02 PUMP,HYDRAULIC (EMERGENCY)
PB1130001-05 TANK,OIL
PB1130071-02 TANK,OIL (SUPPORT)
PB1130079-01 TANK,OIL (SUPPORT)
PB1130132-04 TANK,OIL
PB1300106-05 JOINT,ROTARY
PB1320001-00 VALVE,MANUAL CONTROL
PB1320205-00 VALVE,MANUAL CONTROL (BUCKET)
PB1320205-00 VALVE,MANUAL CONTROL (BUCKET)
PB1320208-00 VALVE,MANUAL CONTROL (SWING FRAME)
PB1320209-03 VALVE,MANUAL CONTROL (OUTRIGGER)
PB1320279-00 VALVE,MANUAL CONTROL (BUCKET)
PB1320297-00 VALVE,MANUAL CONTROL
PB1380006-00 POWER SUPPLY (EMERGENCY PUMP)
PB1380024-02 POWER SUPPLY (MOUNT,EMERGENCY PUMP)
PB1400113-05 PIPING,HYDRAULIC UPPER
PB1400398-00 PIPING,UPPER
PB1410272-05 PIPING,LOWER (FRAME)
PC1010186-03 OUTRIGGER (FRONT)
PC1010187-01 OUTRIGGER (REAR)
PC1011117-00 OUTRIGGER (FRONT)
PC1030032-04 CYLINDER,JACK
PC1050069-01 CYLINDER,EXTENSION (FRONT)
PC1050071-02 CYLINDER,EXTENSION (REAR)
PC1100091-04 OPE.ASSY,OUTRIGGER
PC1190004-01 INDICATOR,OUTRIGGER
PC1190016-00 INDICATOR,OUTRIGGER
PD1010048-01 REDUCER,SWING SPEED
PD1010049-00 REDUCER,SWING SPEED
PD1010105-01 REDUCER,SWING SPEED
PD1010106-01 REDUCER,SWING SPEED
PE1010146-00 CYLINDER,ELEVATING
PE1010154-01 CYLINDER,ELEVATING
PE1050007-04 CYLINDER,LEVELING (UPPER)
PE1050009-06 CYLINDER,LEVELING (LOWER)
PF1010091-01 WINCH (1-PART LINE)
PF1050152-00 HOOK (1-PART LINE)
PF1200139-01 PIPING,WINCH
PF1350013-02 WINCH,JIB (FRP)
PF1350014-04 WINCH,JIB (SUPPORT. MANUAL JIB)
PF1350017-02 WINCH,JIB (FRP.INSULATION)
PF1360000-01 CYLINDER,WINCH JIB (MANUAL)
PF1360001-02 CYLINDER,WINCH JIB (MANUAL)
PF1400139-02 MOUNT,WINCH (MANUAL JIB)
PG1010243-03 BOOM
PG1050148-04 CYLINDER,TELESCOPING
PG1120065-02 DETECTOR SYSTEM, BOOM LENGTH
PG1130062-00 DETECTOR,BOOM LENGTH
PG1200070-04 PIPING,TELESCOPING
PG1410018-01 COVER,BOOM
PH1250015-00 MOMENT LIMITER (AML-AV)
PH1250022-00 MOMENT LIMITER (AML-AV-2)
PH5031064-00 HARNESS
PH5031797-00 HARNESS
PH5032593-00 HARNESS
PH5032820-00 HARNESS
PH5032826-00 HARNESS
PI1010001-00 MOTOR,HYDRAULIC
PI1010053-00 MOTOR,HYDRAULIC
PI1010062-00 MOTOR,HYDRAULIC (BUCKET SWING)
PI1010079-00 MOTOR,HYDRAULIC
PI1010135-00 MOTOR,HYDRAULIC (WINCH)
PI1050002-00 RESERVOIR,OIL

**AT-141-1 42043100002 UPPER
PB1130071-02 TANK,OIL (SUPPORT)**



AT-141-1 4204310002 UPPER

Pos No.	Parts No	Parts Name	Qty	Unit	Technical Data	Serial No (Start)	Serial No (End)
1	42630290000	JOINT,ROTARY	1				225453
	42630290001	JOINT,ROTARY	1			225454	225760
	42630290002	JOINT,ROTARY	1			225761	
2	90101210028	BOLT	4		M10X28		
3	90302041001	WASHER,SPRING	4		10		
4	42440300010	SUPPORT	1				225195
	42440300020	SUPPORT	1			225196	
7	33210000650	WIRE	1				
8	37000112670	BAR	1				
9	37001506710	BOLT	2		M12X60		
10	37000553450	PLATE	2				225195
11	90101208022	BOLT	8		M8X22		
12	90302040801	WASHER,SPRING	8		8		
13	42630010010	COVER	1				
14	80516006910	BEARING,BALL	2				
15	42630010020	GUARD	1				
16	80561100110	NUT	1		AN11		
17	80562100110	WASHER,TOOTH	1		AW11		
18	42630290100	CASE	1				225201
	42630290101	CASE	1			225202	
19	42630010040	CORE	1				
21	37000508880	PLATE	1				
22	80603110550	RING,RITAINING	1		55		
23	80913137290	KEY	1				
24	53154004000	BUSH (THRUST)	1				
25	42630290200	BODY	1				
26	42630290300	CORE	1				
27	80316030060	PLUG	3		PT3/8		225202
	80316030060	PLUG	2		PT3/8	225203	
29	42630290010	COVER	1				
30	42630190020	SUPPORT	1				
31	90101206012	BOLT	4		M6X12		
32	90302040601	WASHER,SPRING	4		6		
33	90303070601	WASHER,PLAIN	4		6		
34	80913137160	KEY	1				
35	42630290020	SHAFT	1				225760
	42630290021	SHAFT	1			225761	
36	33630000290	INSULATOR	15				
37	80720105016	PIN,SPRING	1		5X16		
38	91100211000	SEAL,RING	2				
39	91531211000	PACKING	2				
40	80316030040	PLUG	1		PT1/4		
42	42630211100	CAP	17				225201
	42630211100	CAP	21			225202	
43	82456101000	NIPPLE,GREASE	1		A-PT1/8		
44	80316030080	PLUG	1		PT1/2		225202
	80316030080	PLUG	2		PT1/2	225203	
51	37004500010	RING,SLIP (WITH CABLE.,B)	1				
52	37004500020	RING,SLIP (WITH CABLE.,W)	1				
53	37004500030	RING,SLIP (WITH CABLE.,R)	1				
54	37004500040	RING,SLIP (WITH CABLE.G)	1				
55	37004500050	RING,SLIP (WITH CABLE.Y)	1				
56	37004500060	RING,SLIP (WITH CABLE,B/R)	1				
57	37004500080	RING,SLIP (WITH CABLE.GY)	1				
58	37004500140	RING,SLIP (WITH CABLE.BR/R)	1				
59	37004500070	RING,SLIP (WITH CABLE.,L)	1				
60	37004500090	RING,SLIP (WITH CABLE,B/R)	1				
61	37004500100	RING,SLIP (WITH CABLE.,W/R)	1				
62	37004500110	RING,SLIP (WITH CABLE,R/G)	1				
63	37004500120	RING,SLIP (WITH CABLE.,G/R)	1				
64	37004500130	RING,SLIP (WITH CABLE.Y/R)	1				
65	82100002289	CONNECTOR	1				225201
	82100002289	CONNECTOR	1				225453

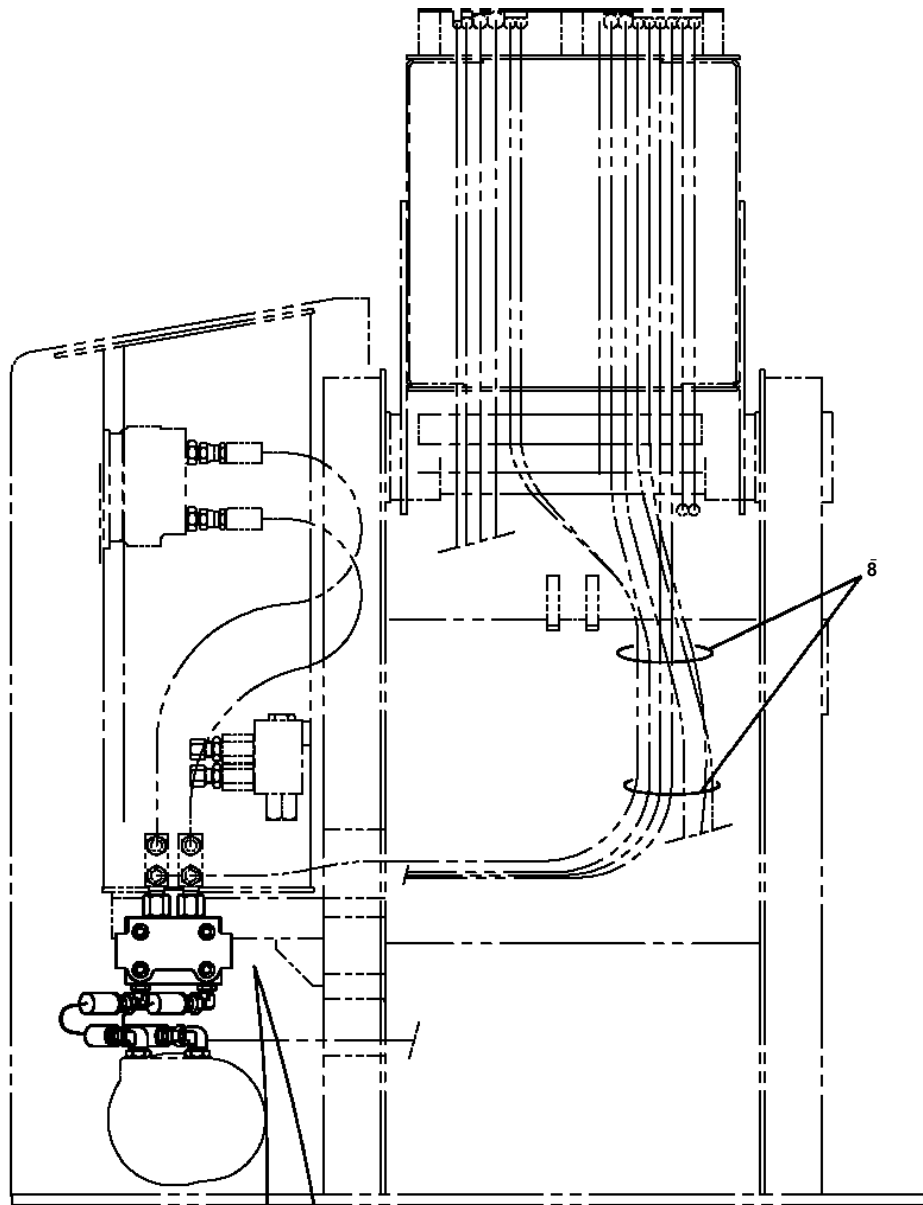
AT-141-1 4204310002 UPPER

Pos No.	Parts No	Parts Name	Qty	Unit	Technical Data	Serial No (Start)	Serial No (End)
2	36634515010	PLUG ASSY	1				
4	36634365020	VALVE,CONTROL (BUCKET LIFT)	1				
5	36634365030	VALVE,CONTROL (BUCKET SWING)	1				
6	36634365040	VALVE,CONTROL (ELEVATING)	1				
7	36634365050	VALVE,CONTROL (SWING)	1				
8	36634365060	VALVE,CONTROL (TELESCOPING)	1				
9	36634365070	VALVE,CONTROL (WINCH)	1				
10	36634365080	VALVE,CONTROL (ATTACHMENT)	1				
11	36634365090	VALVE,RELIEF	1				
24	91002905500	O-RING	8		1B G55		
32	91000501500	O-RING	1		AS568-015		
33	91002802200	O-RING	1		1B P22		
43	56051331100	SEAL,OIL	14				
52	36630045150	COVER	3				
55	91002801400	O-RING	7		1B P14		
64	91001100300	O-RING	2		1A P3		
75	91001101001	O-RING	1		1A P10A		
76	36634365100	RING,BACKUP	1				
77	19215101010	O-RING	2				
83	91001001600	O-RING	2		1A S16		
85	36634365110	RING,BACKUP	1				
86	91001100600	O-RING	1		1A P6		
100	36634360001	VALVE,MANUAL CONTROL (BUCKET)	1				

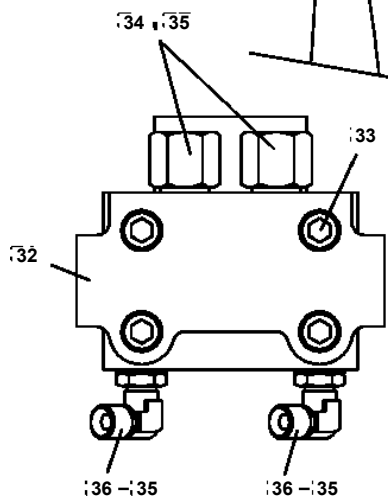
AT-141-1 4204310002 UPPER

Pos No.	Parts No	Parts Name	Qty	Unit	Technical Data	Serial No (Start)	Serial No (End)	Remarks
2	36634515010	PLUG ASSY	1					
4	36634105050	VALVE,CONTROL	1					
5	36634105060	VALVE,CONTROL	1					
6	36634105070	VALVE,CONTROL	1					
24	91002905500	O-RING	4		1B G55			
32	91000501500	O-RING	1		AS568-015			
33	91002802200	O-RING	1		1B P22			
43	36631975010	O-RING	6					
44	36634365190	WIPER,DUST	6					
45	36634365200	RETAINER (SEAL)	6					
48	36630215030	COVER (SPRING)	3					
49	36630045140	SPRING	3					
52	36635175070	BRACKET	3					
53	36630045150	COVER	2					
56	36635555080	SPRING	2					
57	91002801400	O-RING	3		1B P14			
73	12435101180	RETAINER (SEAL)	1					
76	36634105080	SPRING	1					
88	91001100300	O-RING	2		1A P3			
100	36634100002	VALVE,MANUAL CONTROL	1					

AT-141-1 4204310002 UPPER
PB1400398-00 PIPING,UPPER



A



AT-141-1 4204310002 UPPER

Pos No.	Parts No	Parts Name	Qty	Unit	Technical Data	Serial No (Start)	Serial No (End)	Rem
3	90101510018	BOLT	16		M10X18			
4	90302041001	WASHER,SPRING	16		10			
5	42611150100	PLATE	8					
6	42611150020	PLATE,SLIDE	8		T=15			
7	42611150110	SHIM	N		T=1.6			
8	42611150120	SHIM	N		T=0.5			
9	42611150130	PLATE,SLIDE	8		T=12			
21	42611162000	CASE,INNER (REAR)	2				225148	
	42611162001	CASE,INNER (REAR)	2			225149		
22	42611151500	CASE,INNER (JACK)	2					
23	42610263001	FLOAT ASSY	2					
24	36041320000	CYLINDER,EXTENSION (REAR)	2					
25	36032330000	CYLINDER,JACK	2					
26	42611161010	HARNESS	2				225453	
	42611161011	HARNESS	2			225454		
27	91810130240	FASTENER	20					
28	37000112310	PIN	2					
29	80601110250	RING,RITAINING	4		S25			
30	42730072000	COVER	2					
31	90101206012	BOLT	12		M6X12			
32	90302040601	WASHER,SPRING	14		6			
33	37000112330	PIN	2					
34	80601110350	RING,RITAINING	4		S35			
35	37002416780	HOSE	4		L=1900			
36	37000112950	PIN	2					
37	80601110120	RING,RITAINING	4		S12			
38	37000131820	PIN	2					
39	80601110300	RING,RITAINING	4		S30			
40	(*****)	VALVE,PILOT CHECK	2					
41	90131510035	BOLT,HEXAGON SOCKET	4		M10X35			
42	42610020510	CHOKE	2					
43	82100002005	CLAMP	2		WRC8			
44	90101208010	BOLT	2		M8X10			
45	90302040801	WASHER,SPRING	2		8			
46	90303070801	WASHER,PLAIN	2		8			
47	90101206016	BOLT	2		M6X16			
48	90201200600	NUT	2		M6			
49	37000701730	CLAMP ASSY	2					
50	37000300710	SLEEVE	2		12-8			
63	42610263100	TRUNNION	2					

AT-141-1 4204310002 UPPER

Pos No.	Parts No	Parts Name	Qty	Unit	Technical Data	Serial No (Start)	Serial No (End)
1	42700430500	LINK	1				
2	42700430600	LINK	2				
3	42700430700	LINK	2				
5	90101208014	BOLT	4		M8X14		
6	90302040801	WASHER,SPRING	8		8		
7	37000105610	PIN	20		L=18		
9	80136320015	PIN,SPLIT	20		2X15		
10	90101208025	BOLT	4		M8X25		
11	36634190000	VALVE,MANUAL CONTROL (OUTRIGGER)	1				
12	32700007000	LEVEL ASSY	1				226167
	32700007500	LEVEL	1			226168	
13	31320020010	KNOB (BLACK)	4				
14	31320020020	KNOB (RED)	1				
15	42700010010	LINK	4				
16	42700430400	LINK	1				
17	80456950401	JOINT,SELF SEALING (COUPLER)	1			226631	
21	42700431100	SUPPORT	1				227069
	42700431300	SUPPORT	1			227070	
22	37000145850	PIN	1				227069
	37000177390	PIN	1			227070	
23	90101208012	BOLT	1		M8X12		
24	90302040801	WASHER,SPRING	1		8		
25	42700431200	LEVER	5				
26	37000307240	SPACER	1		L=21		
31	32700007100	COVER	1				226167
32	82400000303	LEVEL	1				226167
33	32700007200	SUPPORT	1				226167
34	90201200500	NUT	6		M5		226167
35	80183306016	SCREW,MACHINE	1		M6X16		226167
36	90302040601	WASHER,SPRING	1		6		226167
37	90303070601	WASHER,PLAIN	1		6	225989	226167

AT-141-1 4204310002 UPPER

Pos No.	Parts No	Parts Name	Qty	Unit	Technical Data	Serial No (Start)	Serial No (End)	Remark
2	36080900000	REDUCER,SWING SPEED	1					
3	90171116065	BOLT	3		M16X65			
4	90303071601	WASHER,PLAIN	3		16			
5	90201781600	NUT	3		M6			
6	90302041601	WASHER,SPRING	3		16			
7	90710012400	SCREW,SET	2		M12X40			
8	90203201200	NUT	2		M12			
9	90172112030	BOLT,HEXAGON SOCKET	4		M12X30			
10	36660360000	MOTOR,HYDRAULIC	1					
31	37002302450	BEARING,SWING (NSK)	1					
32	37002304750	BEARING,SWING (KOYO)	1					
41	37002399010	SEAL (UP,DOWN-SIDE SET)	1					
42	82456201000	NIPPLE,GREASE	4		A-TYPE PT1/8			

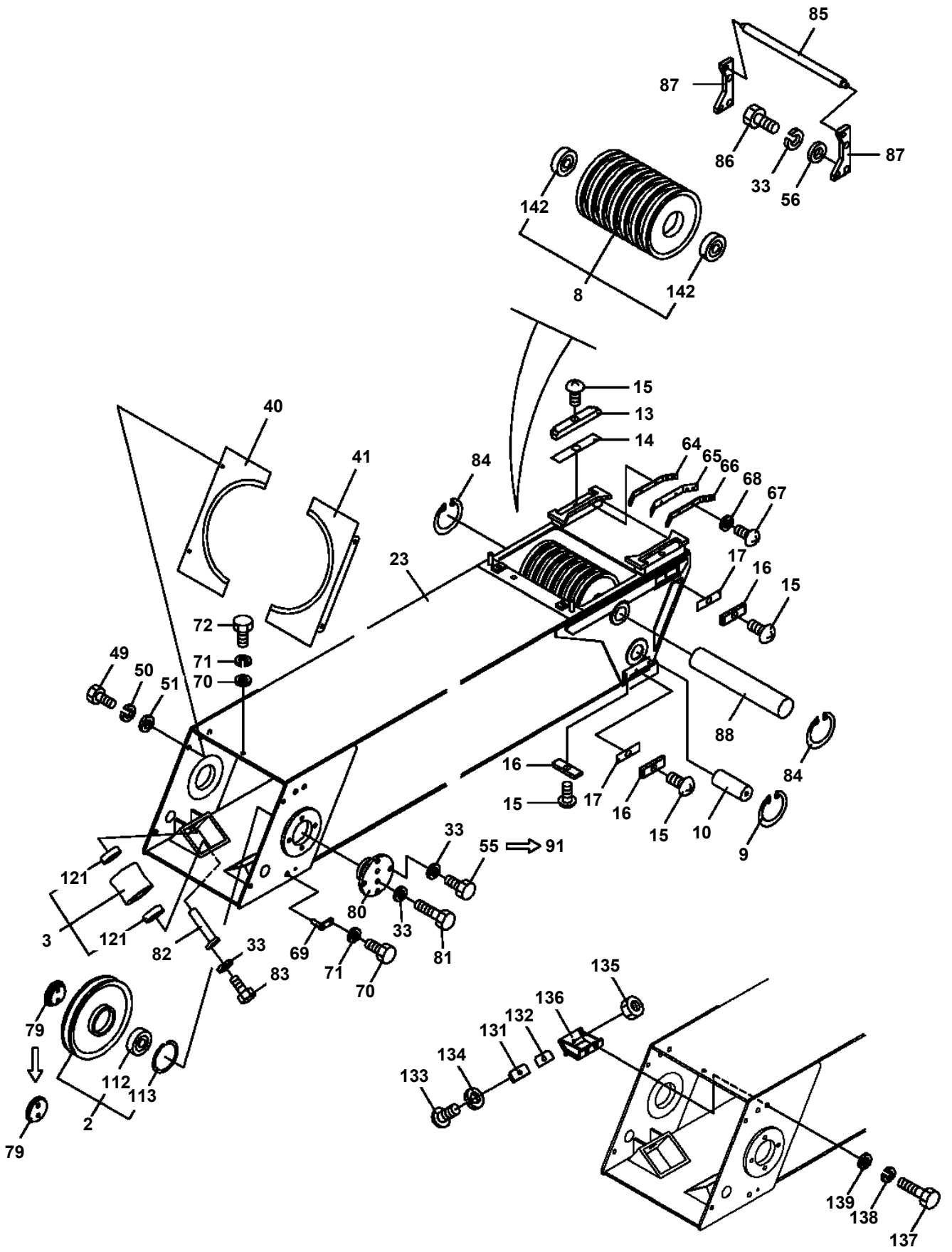
AT-141-1 4204310002 UPPER

Pos No.	Parts No	Parts Name	Qty	Unit	Technical Data	Serial No (Start)	Serial No (End)	Rem
3	91001101800	O-RING	1		1A P18			
4	91684007501	PACKING	2					
5	91411206201	RING,BACKUP	2					
6	91300007500	BEARING,PLAIN	1					
7	36021135030	PISTON	1					
8	90302042001	WASHER,SPRING	1		20			
9	90209702001	NUT	1		M20X2			
10	80801003020	BEARING,PLAIN	2				225290	
	80820003020	BEARING,PLAIN	2			225291		
11	36020615060	COLLAR	1					
12	80612110400	RING,RITAINING	1		AR40			
13	80801003525	BEARING,PLAIN	1					
14	91001207000	O-RING	1		1A G70			
15	91411107000	RING,BACKUP	1		P70			
17	91694003500	PACKING	1					
18	91410203501	RING,BACKUP	1					
20	91660003500	SEAL,DUST	1					
21	80622000350	RING,RITAINING	1		SP35			
22	91001003500	O-RING	1		S35			
23	36020905040	COVER (GAUGE)	1					
24	91001206500	O-RING	1		1A G65			
25	36020615050	BEARING,SPHERICAL	1					
26	82456101000	NIPPLE,GREASE	1		A-PT1/8			
27	82458101000	NIPPLE,GREASE	1		B-PT1/8			
31	36021135041	CYLINDER ASSY	1					
32	36021139510	ROD ASSY	1					
33	36021135050	COVER,ROD	1					
37	82100001411	TUBE,SPIRAL	1	M	SE-08BK			
43	42360120030	CONNECTOR	1					
61	82100002132	CONNECTOR	1					
91	36021139900	PACKING SET	1		35X75			
100	36021139520	CYLINDER,LEVELING (LOWER)	1					

AT-141-1 4204310002 UPPER

Pos No.	Parts No	Parts Name	Qty	Unit	Technical Data	Serial No (Start)	Serial No (End)	Re
1	42220242000	FRAME	1				225174	
	42220246000	FRAME	1			225175		
2	90101208010	BOLT	16		M8X10			
3	90302040801	WASHER,SPRING	20		8			
4	82400000317	CATCH	2					
5	80175304008	SCREW,MACHINE	4		M4X8			
6	42220044010	PIN	2					
7	42220010040	SHIM	4					
8	42220010050	GUIDE	4					
9	37000508930	PLATE	8					
10	42220044050	ROPE	2				225315	
	42220241030	ROPE,WIRE	2			225316		
11	82100001942	SLEEVE	4				225315	
	82112001022	SLEEVE	4			225316		
12	42220233000	POST	1				225174	
13	42220234001	PIN ASSY	1				225140	
14	42220244000	PIN ASSY	1			225141	225873	
15	36050980000	CYLINDER,WINCH JIB (MANUAL)	1				225174	
	(*****)	CYLINDER,WINCH JIB (MANUAL)	1			225175		
16	42220241010	PIN	1					
17	80601110100	RING,RITAINING	4		S10			
18	42220241020	PIN	1					
20	90101508020	BOLT	2		M8X20			
21	90201400800	NUT	2		M8			
22	37001505790	BOLT	2		M8X20			
23	37000546360	PLATE	2					
24	42220231100	PIN	1					
25	80601110250	RING,RITAINING	2		S25			
26	90101208014	BOLT	4		M8X14			
32	42220245000	POST	1			225175		
33	42220244500	PIN ASSY	1			225874		
41	42220234101	PIN	1				225140	
42	42220234200	SUPPORT	1				225873	
43	37001201220	SPRING	1					
44	42220234300	LEVER	1				225873	
45	82430208020	GRIP	1				225873	
46	90710003100	SCREW,SET	1					
47	37000146540	PIN	1				225873	
48	80613110040	RING,RETAINING	1				225873	
61	42220244100	PIN	1			225141		
72	42220343100	SUPPORT	1			225874		
86	82456101000	NIPPLE,GREASE	1		A-PT1/8			
91	42220343200	LEVER	1			225874		
92	42220234500	COVER	1			225874		
93	42220234600	COVER	1			225874		
94	37000146540	PIN	1			225874		
95	80613110040	RING,RETAINING	1			225874		
96	82430208020	GRIP	1			225874		

AT-141-1 4204310002 UPPER
PG1010243-03 BOOM



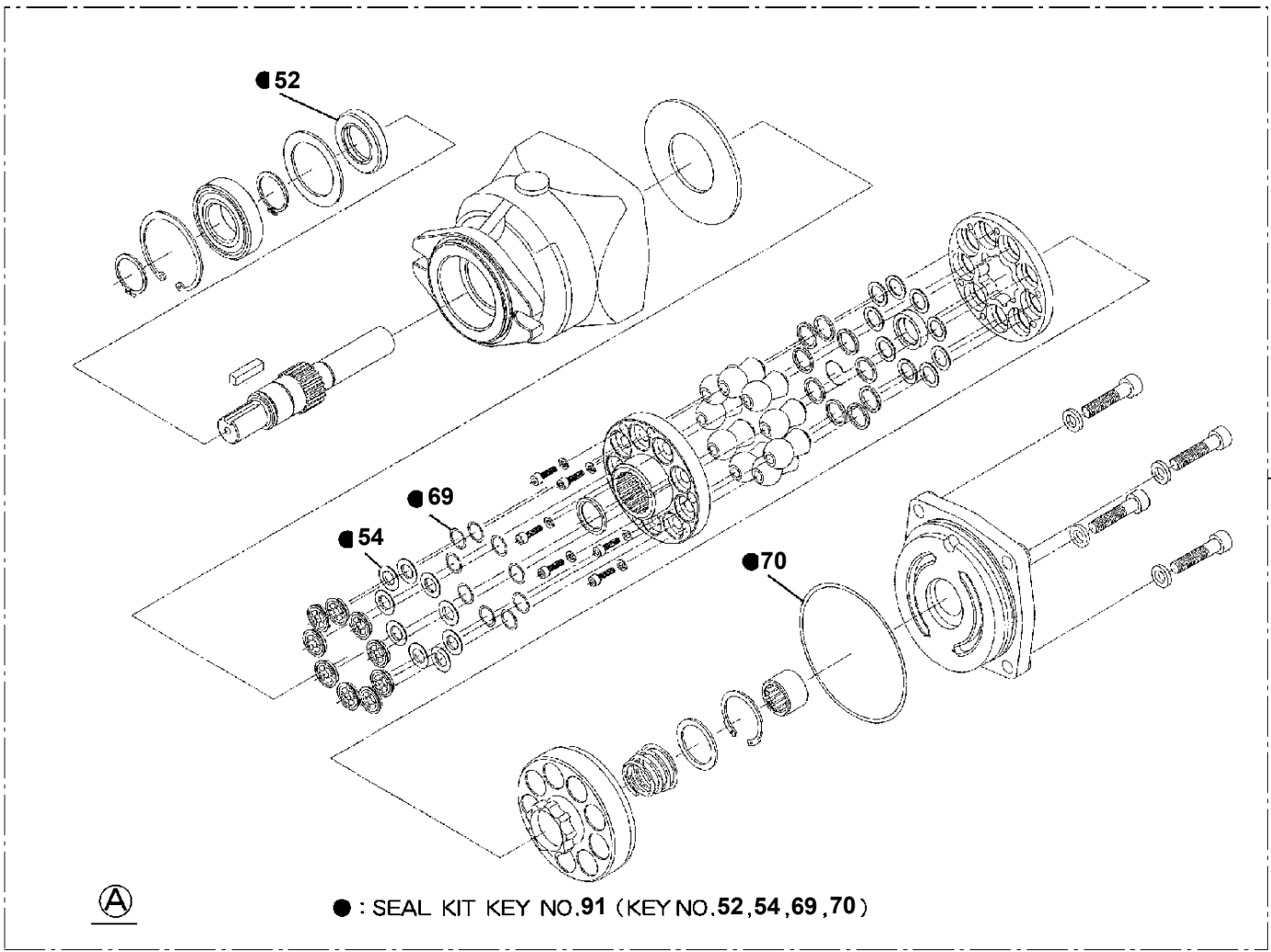
AT-141-1 4204310002 UPPER

Pos No.	Parts No	Parts Name	Qty	Unit	Technical Data	Serial No (Start)	Serial No
1	36116265010	BOARD,DISPLAY	1				
2	(*****)	P-ROM	1				
3	36114565020	BOARD,ANALOG	1				
5	36114565030	BOARD,CONNECTOR	1				
6	36114565040	FUSE	1		3A,L=20		
7	36115485020	BOARD,DIGITAL (WITHOUT P-ROM)	1				
30	36114561001	MOMENT LIMITER (AV-2/WITHOUT P-ROM)	1				
50	36114780001	MOMENT LIMITER (AML-AV-2)	1				

AT-141-1 4204310002 UPPER

Pos No.	Parts No	Parts Name	Qty	Unit	Technical Data	Serial No (Start)	Serial No (End)	Remarks	Pages
100	42473530501	HARNESS	1						

**AT-141-1 4204310002 UPPER
PI1010135-00 MOTOR, HYDRAULIC (WINCH)**



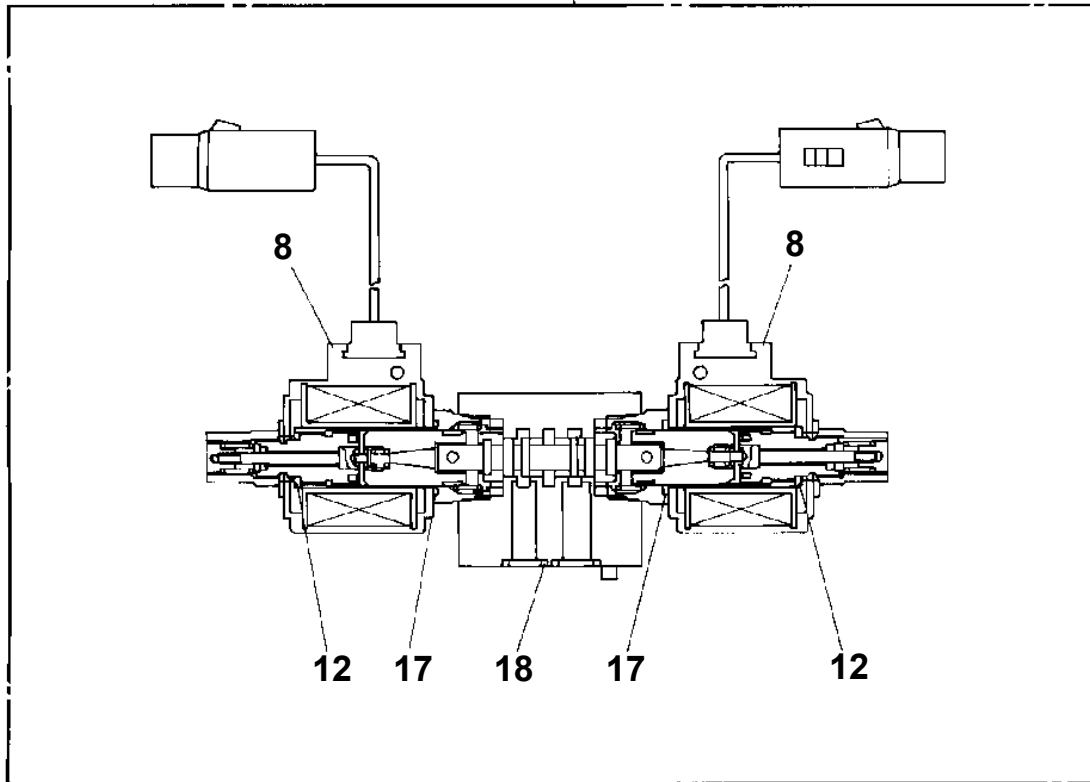
100

(A)

● : SEAL KIT KEY NO.91 (KEY NO.52,54,69,70)

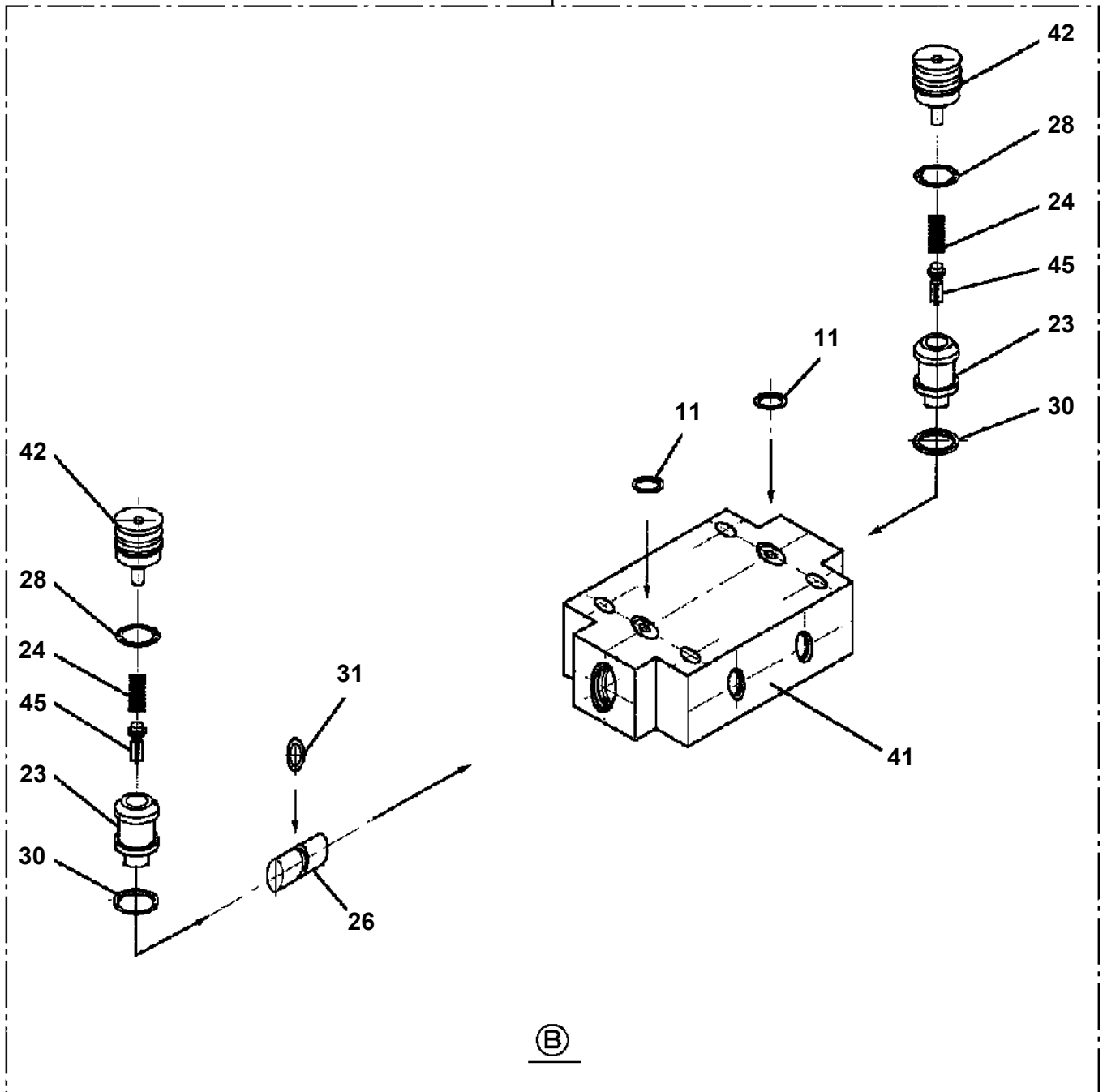
**AT-141-1 42043100002 UPPER
PI1120097-00 VALVE,SOLENOID**

30

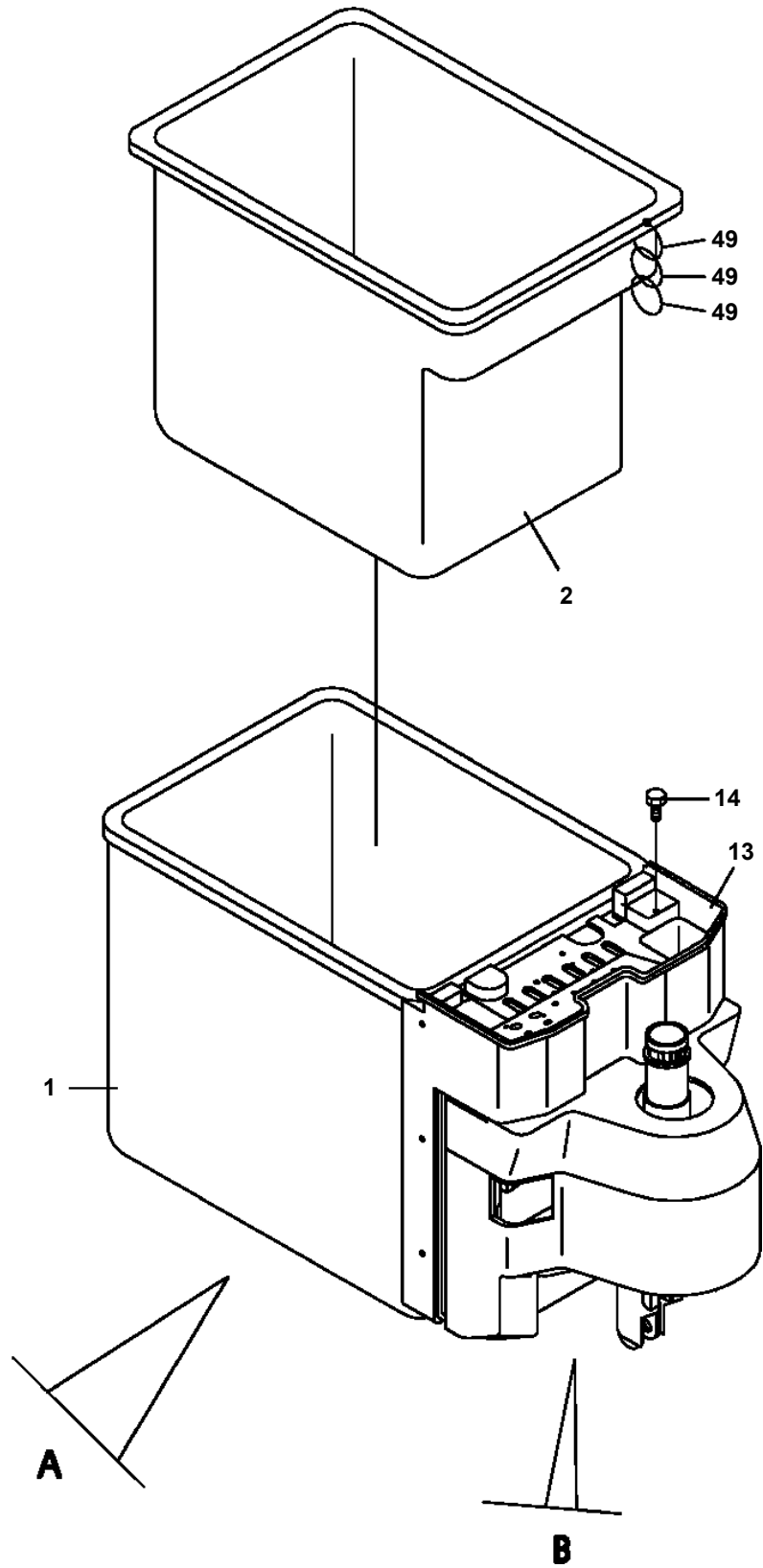


AT-141-1 42043100002 UPPER
PI1140133-01 VALVE,CHECK

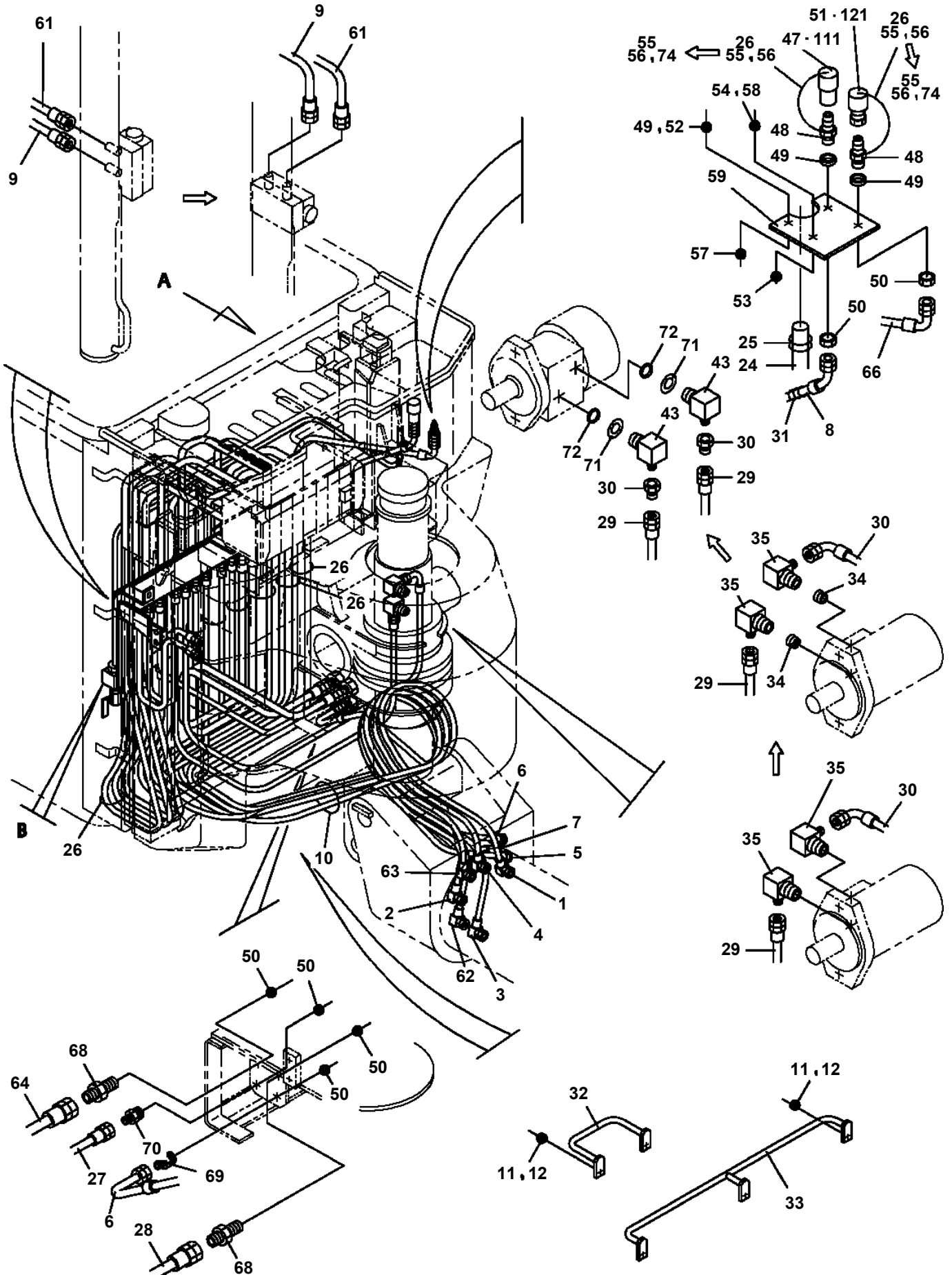
100



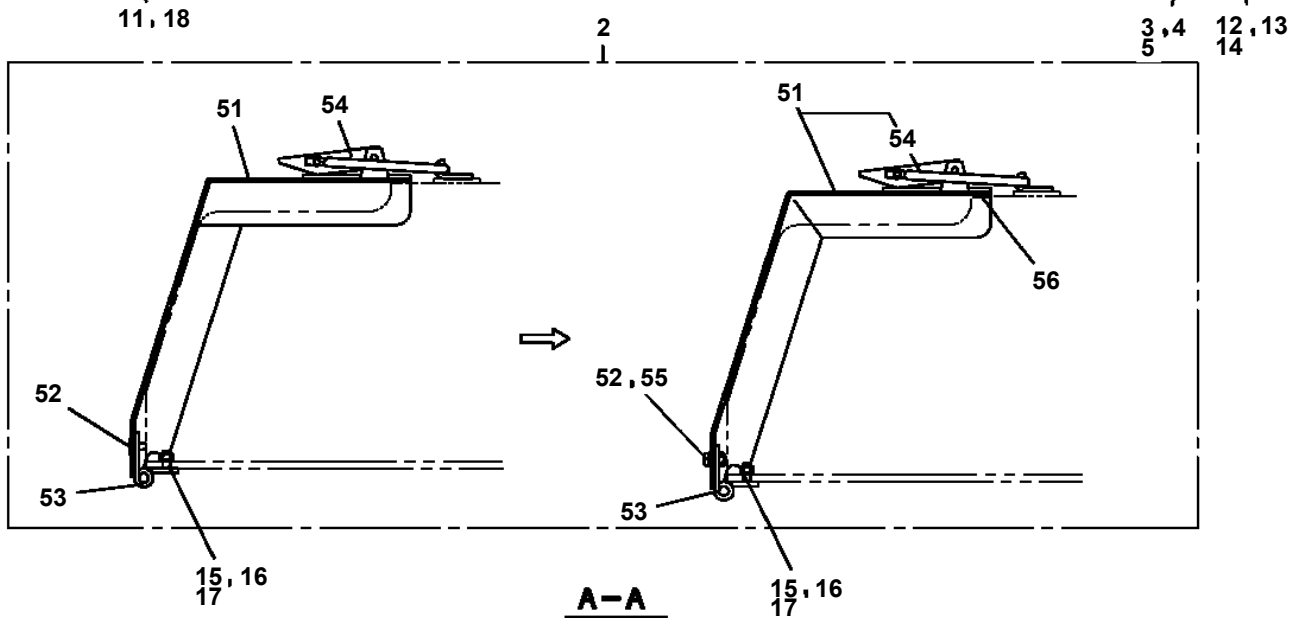
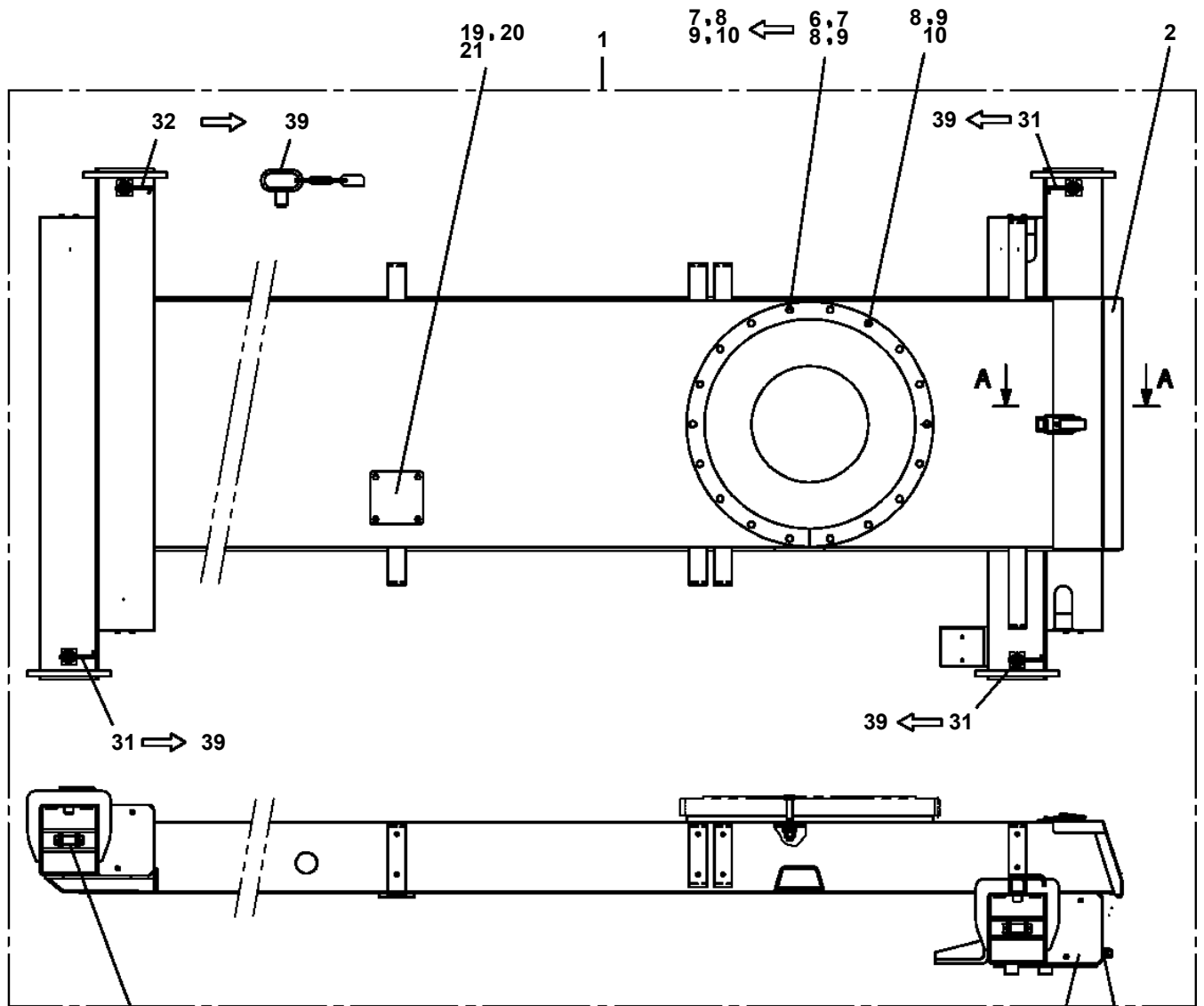
**AT-141-1 42043100002 UPPER
PJ3010042-03 BUCKET (WITH LIFT)**



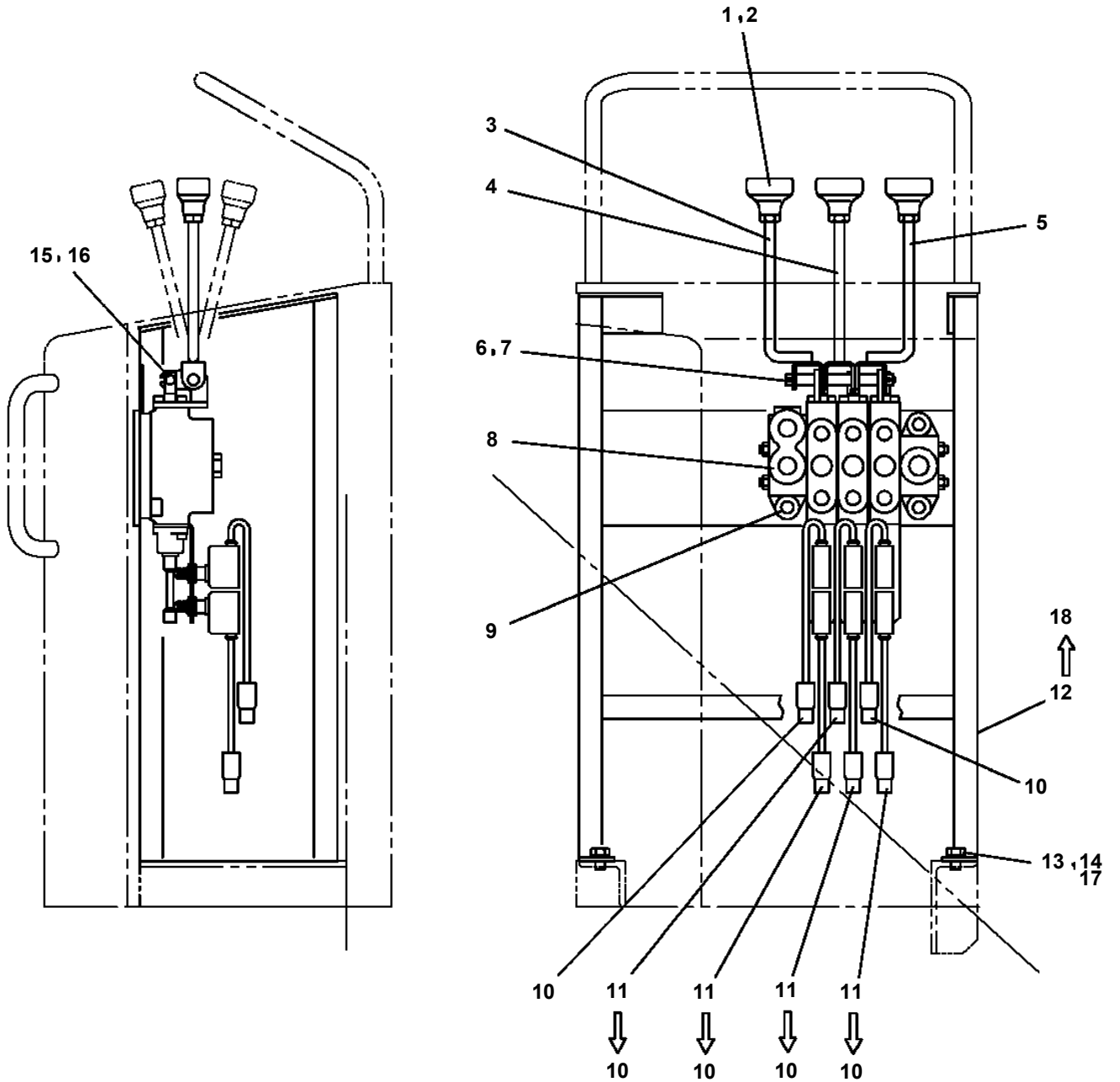
**AT-141-1 4204310002 UPPER
PJ3200020-04 PIPING,BUCKET (WITH LIFT)**



**AT-141-1 4204310002 UPPER
PK1010183-02 FRAME (WITHOUT ENGINE UNIT & MOTOR UNIT)**



**AT-141-1 42043100002 UPPER
PL1010325-02 OPE.ASSY,CONT.VALVE (SWING)**



CLICK HERE TO **DOWNLOAD** THE COMPLETE MANUAL

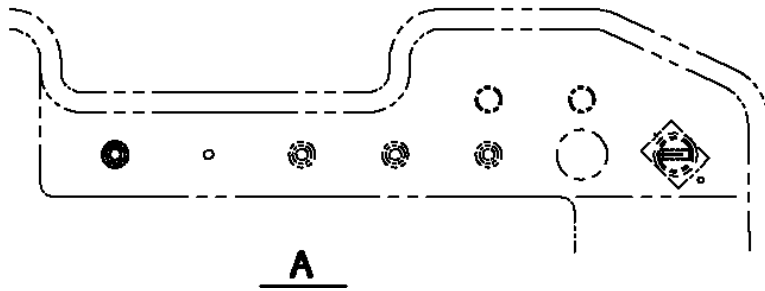
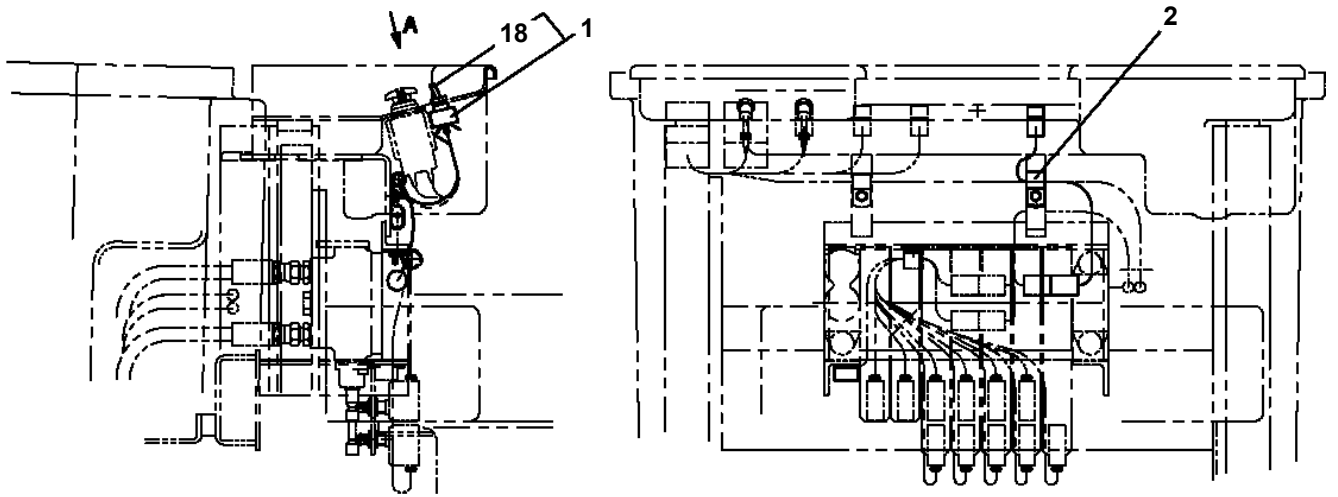
- Thank you very much for reading the preview of the manual.
- You can download the complete manual from: www.heydownloads.com by clicking the link below



- Please note: If there is no response to CLICKING the link, please download this PDF first and then click on it.

CLICK HERE TO **DOWNLOAD** THE COMPLETE MANUAL

**AT-141-1 4204310002 UPPER
PN1010734-02 ELEC.ASSY (EMERGENCY PUMP)**



AT-141-1 4204310002 UPPER

Pos No.	Parts No	Parts Name	Qty	Unit	Technical Data	Serial No (Start)	Serial No (End)
1	42650470100	HARNESS	1				
2	42650330200	HARNESS	1				225148
	42650330201	HARNESS	1			225149	
8	82100002667	SWITCH,LIMIT	1				
9	42650470010	SWITCH,PUSH (WITH CONNECTOR)	1				
10	82100002002	CLAMP	1		WR6		
11	82100002006	CLAMP	7		WR10		
12	82100002010	CLAMP	7		WR15		
13	82100002012	CLAMP	1		WR18		
14	82100002014	CLAMP	1		WR20		
15	82100002018	CLAMP	8		WR35		
16	90101200600	902-012-00600	17				
17	90302040601	WASHER,SPRING	17		6		
18	90201200800	NUT	8		M8		
19	90302040801	WASHER,SPRING	8		8		
20	90303070801	WASHER,PLAIN	1		8		
21	90101210014	BOLT	8		M10X14		
22	90302041001	WASHER,SPRING	8		10		
23	91800000003	FASTENER	15				
24	80192486014	SCREW,MACHINE (WITH WASHER)	6		M6X14		225140
	80182406014	SCREW,MACHINE	6		M6X14	225141	
25	37000549450	PLATE	1			225141	
26	42350080400	BATTERY ASSY	1				
27	42650472000	SUPPORT ASSY	1				
28	82100002007	CLAMP	1		WRC10		
30	90302350601	WASHER,SPRING (6)	6			225141	
31	42650331100	SWITCH,LIMIT (WITH SWITCHX2)	4				
32	42950012010	COVER	4				
33	42650331200	SUPPORT	4				
34	80182308012	SCREW,MACHINE	16		M8X12		
	80182308012	SCREW,MACHINE	8		M8X12		225148
	80182308012	SCREW,MACHINE	8		M8X12	225149	
35	90302040801	WASHER,SPRING	24		8		
	90302040801	WASHER,SPRING	8		8		225148
	90302040801	WASHER,SPRING	8		8	225149	
36	90303070801	WASHER,PLAIN	8		8		
	90303070801	WASHER,PLAIN	8		8		225148
37	90101204030	BOLT	16		M4X30		
38	90201200400	NUT	16		M4		
39	90302040401	WASHER,SPRING	20		4		
40	90303070401	WASHER,PLAIN	36		4		
41	90101208012	BOLT	8		M8X12		
51	82100002347	SWITCH,LIMIT	4				225148
52	42650332100	COVER	4				225148
61	82100002346	SWITCH,LIMIT	4			225149	
62	42650473100	COVER	4			225149	225195
65	90101206016	BOLT	12		M6X16	225149	
66	42650473130	PLATE	4			225149	
67	42650473140	PLATE	4			225149	
68	42650473160	BLADE	4			225149	
69	90302040601	WASHER,SPRING	22		6		
	90302040601	WASHER,SPRING	12		6	225149	
71	42650333300	PANEL	1				225195
72	42650333200	SWITCH,TOGGLE (WITH CONNECTOR)	1				
73	42650334001	INDICATOR,OUTRIGGER	1				225195
74	42431931400	SWITCH,TOGGLE	1				
75	82100001697	PLUG	1		OBS-13		
76	82121800010	PLUG (OTUKA)	1				
77	80192486014	SCREW,MACHINE (WITH WASHER)	4		M6X14		
81	42650335010	COVER	1				
82	42650475100	CASE	1				
83	42650335600	CONVERTER (DC-DC)	1				
84	80172304010	SCREW,MACHINE	4		M4X10		

AT-141-1 4204310002 UPPER

Pos No.	Parts No	Parts Name	Qty	Unit	Technical Data	Serial No (Start)	Serial No (End)	Remarks	Page
1	42431671000	CABLE,SIGNAL	1						
2	82100001410	TUBE,SPIRAL	4	M	SE-04BK				
3	91810130240	FASTENER	15						
4	37000300710	SLEEVE	2		12-8				
5	37000711000	CLAMP ASSY	2		12-1				
6	82100001802	TUBE,CORRUGATE	2	M	10				

AT-141-1 4204310002 UPPER

Pos No.	Parts No	Parts Name	Qty	Unit	Technical Data	Serial No (Start)	Serial No (End)	Remarks	P
1	42350117510	BOARD ASSY	1						
2	42350117550	CASE	1						
5	(*****)	P-ROM	1						
11	42350117540	FUSE	1		2A,6.3X30				
30	42350111001	TRANSMITTER,SIGNAL	1						

AT-141-1 4204310002 UPPER

Pos No.	Parts No	Parts Name	Qty	Unit	Technical Data	Serial No (Start)	Serial No (End)	Remarks	Page
1	42391164020	PLATE,NAME	1						
2	42940100030	PLATE,NAME (PLUG)	2						

AT-141-1 42043100002 UPPER

Pos No.	Parts No	Parts Name	Qty	Unit	Technical Data	Serial No (Start)	Serial No (End)	Remarks	P
1	37004100030	PUMP,GREASE (240CC)	1						

AT-141-1 4204310002 UPPER

Pos No.	Parts No	Parts Name	Qty	Unit	Technical Data	Se
1	42470980100	SWITCH,PUSH	1			
2	82100002220	CABLE	8	M		
3	82100002173	CONNECTOR	1			
10	42470984000	SWITCH BOX (ELECTRIC BOOSTER, 8M,NANABOSI,SINKOU DENKI)	1			

AT-141-1 42043100002 UPPER

Pos No.	Parts No	Parts Name	Qty	Unit	Technical Data	Serial No (Start)	Serial No (End)	Remarks
1	91991601013	ACCESSORIES (WRENCH)	1					

AT-141-1 42043100002 UPPER

Pos No.	Parts No	Parts Name	Qty	Unit	Technical Data	Serial No (Start)	Serial No (End)
1	42460012530	WEDGE (STOPPER FOR TIRE/WAZUMI)	1				

AT-141-1 42043100002 UPPER

Pos No.	Parts No	Parts Name	Qty	Unit	Technical Data	Serial No (Start)	Serial No (End)	R
1	42470230000	CLAMP HEAD (IZUMI 12TON 3.5M)	1					

AT-141-1 42043100002 UPPER

Pos No.	Parts No	Parts Name	Qty	Unit	Technical Data	Serial No (Start)	Serial No
1	42472640000	CLAMP HEAD (IZUMI 8TON 3.5M ELECTRIC)	1				

AT-141-1 42043100002 UPPER

Pos No.	Parts No	Parts Name	Qty	Unit	Technical Data	Serial No (Start)	Serial No (End)
1	42470330000	ROPE (SAFETY,YELLOW:TD-TYPE)	1				

AT-141-1 4204310002 UPPER

Pos No.	Parts No	Parts Name	Qty	Unit	Technical Data	Serial No (Start)	Serial No (End)	Remarks	Pages
1	42470121000	ARM ASSY	1						
2	42470122000	HOLDER	3						
3	42470123000	CLAMP ASSY	1						
4	42470044000	HOT STICK	1						
5	42470422000	SUPPORT	1						
6	90101216140	BOLT	1		M16X140				
7	90303071601	WASHER,PLAIN	1		16				
8	90201201600	NUT	1		M16				
21	90101210025	BOLT	6		M10X25				
22	90302041001	WASHER,SPRING	6		10				
24	42470601010	SUPPORT	3						
28	42470601050	SUPPORT	1						
31	42470121100	ARM	1						
32	42470121200	CAP	2						

AT-141-1 4204310002 UPPER

Pos No.	Parts No	Parts Name	Qty	Unit	Technical Data	Serial No (Start)	Serial No (End)	Remarks	Pages
1	42470121000	ARM ASSY	1						
2	42471231000	HOLDER	3						
3	42470123000	CLAMP ASSY	1						
4	42470044000	HOT STICK	1						
5	42470045000	SUPPORT	1						
6	90101216130	BOLT	1		M16X130				
7	90303071601	WASHER,PLAIN	1		16				
8	90201201600	NUT	1		M16				
31	42470121100	ARM	1						
32	42470121200	CAP	2						

AT-141-1 4204310002 UPPER

Pos No.	Parts No	Parts Name	Qty	Unit	Technical Data	Serial No (Start)	Serial No (End)
1	90101206010	BOLT	4		M6X1.0		
2	90302040601	WASHER,SPRING	5		6		
3	36100250000	RESERVOIR,OIL	2				
4	37000918470	JOINT	1				
5	37002408400	HOSE	1		L=1000		
6	90201200600	NUT	1		M6		
8	37002411910	HOSE	1		L=670		
9	89630702000	HOSE,VINYL	1		10X15.2M		
10	91801300160	CLIP	6		D=14-16		
11	37000804420	JOINT	1				
12	90101208016	BOLT	6		M8X16		
13	90302040801	WASHER,SPRING	6		8		
14	36643030000	VALVE,SOLENOID	1				
15	(***** 80430620400	BOOSTER (24V.ELECTRIC TYPE.40TON)	1				
16	80430620400	JOINT	2				
17	90101212025	BOLT	1		M12X25		
18	36643040000	VALVE,SOLENOID	1				
19	37002407960	HOSE	1		L=425		
20	82100002342	SWITCH,LIMIT (W)	1				
21	42473140100	COVER	1				
22	91810130240	FASTENER	20				
23	80456240600	JOINT,SELF SEALING (WITH DUST CAP)	1				
24	37000918540	JOINT	1				
25	42470400100	JOINT,SELF SEALING (WITH CAP)	1				
26	42473440020	JOINT	1				
27	42473440100	SWITCH	1				
28	89630101000	HOSE,VINYL	1		4X6,1M		
29	37001600820	NUT	1		PF3/8		
30	37002800630	OIL,HYDRAULIC					
31	90131906040	BOLT,HEXAGON SOCKET	8		M6X40		
32	42310040050	ROPE (TETORON)	2				
33	82100001735	SLEEVE	4				
34	82100001411	TUBE,SPIRAL	1	M	SE-08BK		
35	42340180040	ORIFICE	1				
36	42473140030	PLATE,NAME	1				
37	42473140200	SWITCH ASSY	1				
38	80430450450	JOINT	1		YL502		
39	42474561000	HARNESS	1				
40	90302041201	WASHER,SPRING	1		12		
41	37000538540	PLATE	1		T=1.0		
42	42473530010	PLATE	1				
43	37000517380	PLATE	1		T=2.3 TO 3.2		
51	82122710200	CAP	1				
52	80172303008	SCREW,MACHINE	4		M3X8		
53	90302040301	WASHER,SPRING	4		3		
54	90303070301	WASHER,PLAIN	4		3		
55	42473620030	SUPPORT	1				
56	42474562100	HARNESS	1				
57	82100002285	CONNECTOR	1				
58	82100002256	TERMINAL	2				
59	82100002657	PLUG	1				
60	82100000969	PLUG	1				
71	91002801100	O-RING	2		1B P11		
87	82100000665	CAP (BLACK)	1				
91	42471437520	CAP	1				
101	42470407570	CAP	1				
112	82100001219	INSULATOR	2				
113	82118732020	CONNECTOR	1				

AT-141-1 4204310002 UPPER

Pos No.	Parts No	Parts Name	Qty	Unit	Technical Data	Serial No (Start)	Serial No (E
1	42471441000	BOOSTER ASSY	1				
2	42470842000	CONTROL UNIT	1				
4	36641170000	VALVE,SOLENOID	1				
5	42470721200	HOSE ASSY	1				
18	80456010410	JOINT,SELF SEALING	1				
19	80456020410	JOINT,SELF SEALING	1				
20	80303080020	JOINT	3		SSTL1/4		
21	80306030020	JOINT,NIPPLE	2				
22	80456240600	JOINT,SELF SEALING (WITH DUST CAP)	1				
23	80306030040	JOINT,NIPPLE	1		3/8		
24	42470400100	JOINT,SELF SEALING (WITH CAP)	1				
25	42470627520	NIPPLE (REDUCING)	1				
26	42470407540	RELAY	1				
34	82100001682	SWITCH,TOGGLE	1				
35	82100001361	SWITCH,TOGGLE	1				
36	42471441100	BOOSTER ASSY	1				
37	42470847520	HARNESS	1				
38	42470847530	CONNECTOR	1				
39	82100001407	CONNECTOR (SEAL)	1				
40	82100001654	CONNECTOR	1				
41	82100001655	CAP	1				
42	82100000745	FUSE	1		10A,6.5X30		
56	91002800900	O-RING	4		1B P9		
61	42470727530	CAP (DUST)	1				
64	42470727540	CAP (DUST)	1				
66	42470727520	CAP (DUST)	1				
67	42470727510	CAP (DUST)	1				
72	91002806700	O-RING	1		1B P67		
73	91411006700	RING,BACKUP	1		P67		
75	12235104020	SPRING	1				
76	80560061000	BALL,STEEL	1		3/8		
77	36050345030	PACKING SET	1				
80	91001210000	O-RING	2		1A G100		
82	91411004000	RING,BACKUP	1		P40		
83	91001104000	O-RING	1		1A P40		
87	91002802600	O-RING	1		1B P26		
89	91411009000	RING,BACKUP	2		P90		
90	91001109000	O-RING	1		1A P90		
93	91002801200	O-RING	1		1B P12		
94	80602110170	RING,RITAINING	1		R17		
95	91002801000	O-RING	3		1B P10		
96	90201201200	NUT	1		M12		
98	91001100800	O-RING	1		1A P8		
99	91411000800	RING,BACKUP	1				
101	90201201400	NUT	4		M14		
102	90302041401	WASHER,SPRING	4		14		
103	91002909500	O-RING	2		1B G95		
104	90131505015	BOLT,HEXAGON SOCKET	4		M5X15		
105	90740006060	SCREW,SET	1		M6X6		
108	90131508020	BOLT,HEXAGON SOCKET	4		M8X20		
109	36050135100	SWITCH ASSY	1				
121	36050135130	SWITCH,LIMIT	1				
131	42340017530	CAP	1				
141	42340017540	CAP	1				
151	42471437520	CAP	1				
161	42470407570	CAP	1				

AT-141-1 4204310002 UPPER

Pos No.	Parts No	Parts Name	Qty	Unit	Technical Data	Serial No (Start)	Serial No (End)	Ren
1	82100002714	LAMP,WORKING	2					
2	42473720020	HARNESS	1					
3	91810130240	FASTENER	10					
4	42473720010	HARNESS	1					
5	90813108020	BOLT,WING	2		M8X20			
6	42470100010	SUPPORT	2					
7	82100002006	CLAMP	4		WR10			
8	90101206014	BOLT	4		M6X14			
9	90302040601	WASHER,SPRING	4		6			
10	37002203720	PLATE,NAME (ON-OFF)	1					
11	42731340040	PLATE,NAME (WORKING LAMP)	1					
12	42473720030	PLATE	1				225140	
13	90201200600	NUT	2		M6			
14	82400000200	GROMMET	1		KG-012,L=250			
15	90102212020	BOLT	2		M12X20			
16	90302041201	WASHER,SPRING	2		12			
17	37000113640	PIN	2					
28	42431931400	SWITCH,TOGGLE	1					
29	82100000665	CAP (BLACK)	1					

AT-141-1 4204310002 UPPER

Pos No.	Parts No	Parts Name	Qty	Unit	Technical Data	Serial No (Start)	Serial No (End)	Remarks	Pages
1	42350072000	LAMP ASSY	1						
2	90101208012	BOLT	4		M8X12				
3	90302040801	WASHER,SPRING	4		8				
31	42350072100	SUPPORT	1						
32	82100001758	LAMP (ORANGE)	1				225182		
	42733020200	LAMP (YELLOW)	1			225183			
33	37002702970	CABLE	1						
41	82100002550	BULB,LAMP	1		24V 20W				

AT-141-1 4204310002 UPPER

Pos No.	Parts No	Parts Name	Qty	Unit	Technical Data	Serial No (Start)	Serial No (End)	Rem
1	42473531160	LEVER	1					
	42473531160	LEVER	1					
2	42473531250	LINK	1					
	42473531250	LINK	1					
4	42473531020	SUPPORT	1					
	42473531020	SUPPORT	1					
7	80560006000	BALL,STEEL	1		6			
	80560006000	BALL,STEEL	1		6			
8	80720102508	PIN,SPRING	1		2.5X8			
	80720102508	PIN,SPRING	1		2.5X8			
9	37001200370	SPRING	1					
	37001200370	SPRING	1					
10	37000133460	PIN	2					
	37000133460	PIN	2					
11	90131706020	BOLT,HEXAGON SOCKET	4		M6X20			
	90131706020	BOLT,HEXAGON SOCKET	4		M6X20			
12	91002801400	O-RING	2		1B P14			
	91002801400	O-RING	2		1B P14			
13	91410001400	RING,BACKUP	2		P14			
	91410001400	RING,BACKUP	2		P14			
14	91002800700	O-RING	1		1B P7			
	91002800700	O-RING	1		1B P7			
15	91410000700	RING,BACKUP	1		P7			
	91410000700	RING,BACKUP	1		P7			
16	90303070601	WASHER,PLAIN	1		6			
	90303070601	WASHER,PLAIN	1		6			
17	90302040601	WASHER,SPRING	1		6			
	90302040601	WASHER,SPRING	1		6			
18	90201400600	NUT	1		M6			
	90201400600	NUT	1		M6			
19	80601110100	RING,RITAINING	4		S10			
	80601110100	RING,RITAINING	4		S10			
20	37000401040	BEARING,PLAIN	6					
	37000401040	BEARING,PLAIN	6					
21	90201200800	NUT	1		M8			
	90201200800	NUT	1		M8			
22	90302040801	WASHER,SPRING	1		8			
	90302040801	WASHER,SPRING	1		8			
23	90303070801	WASHER,PLAIN	1		8			
	90303070801	WASHER,PLAIN	1		8			
50	42473531000	SELECTOR,BOOSTER (VALVE)	1					
	42473531000	SELECTOR,BOOSTER (VALVE)	1					

AT-141-1 4204310002 UPPER

Pos No.	Parts No	Parts Name	Qty	Unit	Technical Data	Serial No (Start)	Serial No (End)	Remarks	Pages
1	42473411100	SUPPORT	1						
2	90101210025	BOLT	4		M10X25				
3	90302041001	WASHER,SPRING	4		10				

AT-141-1 42043100002 UPPER

Pos No.	Parts No	Parts Name	Qty	Unit	Technical Data	Serial No (Start)	Serial No (E
5	80456210600	JOINT,SELF SEALING	1				
6	80456240600	JOINT,SELF SEALING (WITH DUST CAP)	1				
11	42471437520	CAP	1				
30	42471085000	HOSE,BOOSTER (MALE-FEMALE,5M)	1				

AT-141-1 4204310002 UPPER

Pos No.	Parts No	Parts Name	Qty	Unit	Technical Data	Serial No (Start)	Serial No (End)
1	42471271000	DRILL ASSY	1				
2	80460003080	JOINT	2		S,G3/8-3/4-16UNF		
3	37002425110	HOSE	2		L=2500		
4	91810132530	FASTENER	4				
5	80456020610	JOINT,SELF SEALING	1				
6	42340013200	JOINT,SELF SEALING (WITH CAP)	1				
11	42340017550	CAP (DUST)	1				
16	42340017510	CAP (DUST)	1				
20	42471270000	DRIL,HYDRAULIC	1				

AT-141-1 42043100002 UPPER

Pos No.	Parts No	Parts Name	Qty	Unit	Technical Data	Serial No (Start)	Serial No (End)	Remarks
1	42472650000	HANGER (FOR BUCKET)	1					

AT-141-1 42043100002 UPPER

Pos No.	Parts No	Parts Name	Qty	Unit	Technical Data	Serial No (Start)	Serial No (End)	Remarks
1	42472530000	BOX,TOOL (FOR BUCKET)	1					

CLICK HERE TO **DOWNLOAD** THE COMPLETE MANUAL

- Thank you very much for reading the preview of the manual.
- You can download the complete manual from: www.heydownloads.com by clicking the link below



- Please note: If there is no response to CLICKING the link, please download this PDF first and then click on it.

CLICK HERE TO **DOWNLOAD** THE COMPLETE MANUAL