

AT-100-2 42063230200 LOWER,HINO KK-XZU301X-TYMMS6

PB3000082-00 POWER UNIT
PO1000149-00 INDICATION PLATES
PX2000495-01 CARRIER UNIT
PX3000300-00 MOUNTING UNIT
PY1000643-03 OPTIONS
ASSEMBLY

CLICK HERE TO **DOWNLOAD** THE COMPLETE MANUAL

- Thank you very much for reading the preview of the manual.
- You can download the complete manual from: www.heydownloads.com by clicking the link below



- Please note: If there is no response to CLICKING the link, please download this PDF first and then click on it.

CLICK HERE TO **DOWNLOAD** THE COMPLETE MANUAL

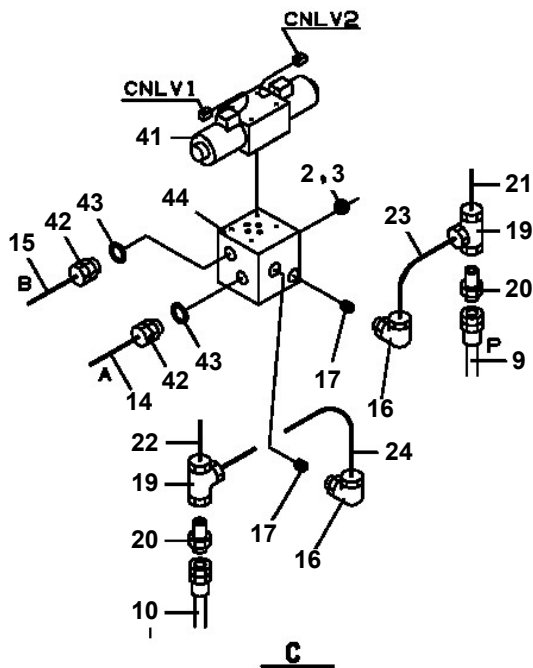
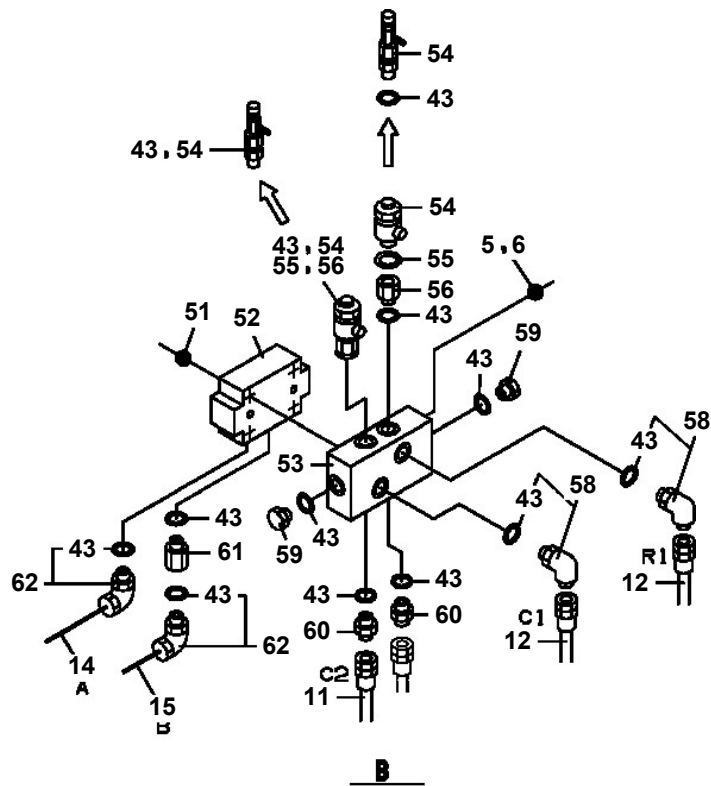
AT-100-2 42063230200 LOWER,HINO KK-XZU301X-TYMMS6

Pos No.	Parts No	Parts Name	Qty	Unit	Technical Data	Serial No (Start)	Serial No (End)
1	(*****)	POWER SUPPLY (LOWER)	1				
2	(*****)	BOX,TOOL (OPTION)	1				
3	(*****)	MOUNT,SUPPORT	1				
4	(*****)	EARTHING DEVICE (8X20M)	1				
	(*****)	EARTHING DEVICE (8X10M,OPTION)	1				
6	(*****)	OPE.ASSY (LEVELING/WITHOUT POWER SUPPLY)	1				
	(*****)	OPE.ASSY (LEVELING/WITH POWER SUPPLY)	1				
8	(*****)	STEP	1			217780	
9	(*****)	VIEW SYSTEM (FOR ISUZU/ST-900)	1				

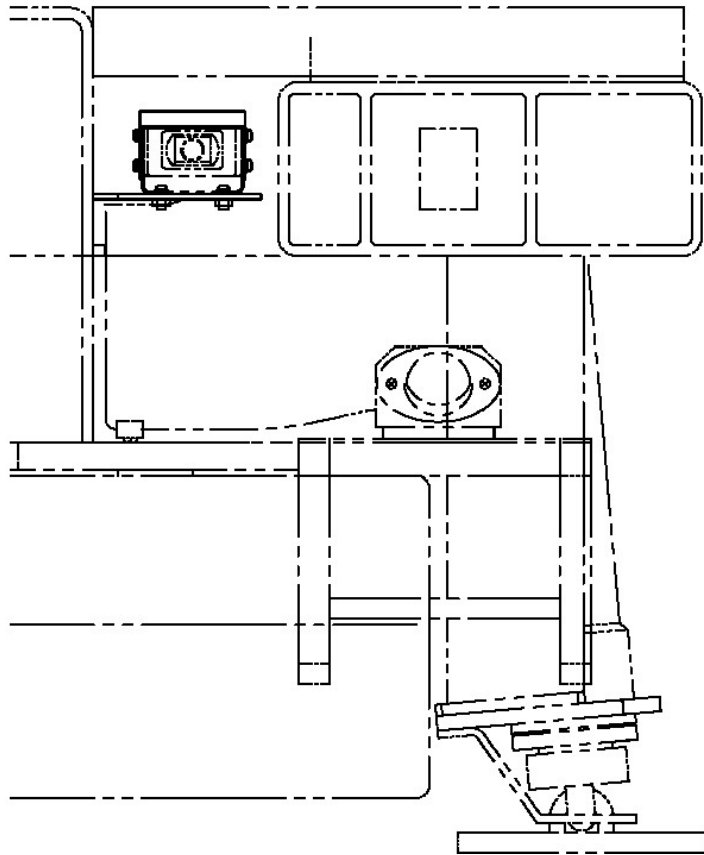
AT-100-2 42063230200 LOWER,HINO KK-XZU301X-TYMMS6

Pos No.	Parts No	Parts Name	Qty	Unit	Technical Data	Serial No (Start)	Serial No (End)	Remarks
1	36654115010	MOTOR ASSY	1					
3	36652625020	CAP (TERMINAL)	1					
5	36654115030	BOLT,HEXAGON SOCKET	2		M8X40			
6	36654205020	WASHER	2					
7	36654205030	NUT	2					
8	36652025040	O-RING	1		S55			
9	36652625030	VALVE,CHECK	1					
10	36652625040	PUMP ASSY	1					
12	44550417800	WASHER,SPRING (M8)	2					
20	36654115040	CABLE ASSY	1					
27	36652665060	O-RING	1		P8			
29	36652665050	O-RING	1		P14			
33	19215105160	SEAL,OIL	1					
34	36652665020	RING,RETAINING	1					
41	36654115020	CONTACTOR	1					
100	36654110000	PUMP,HYDRAULIC	1					

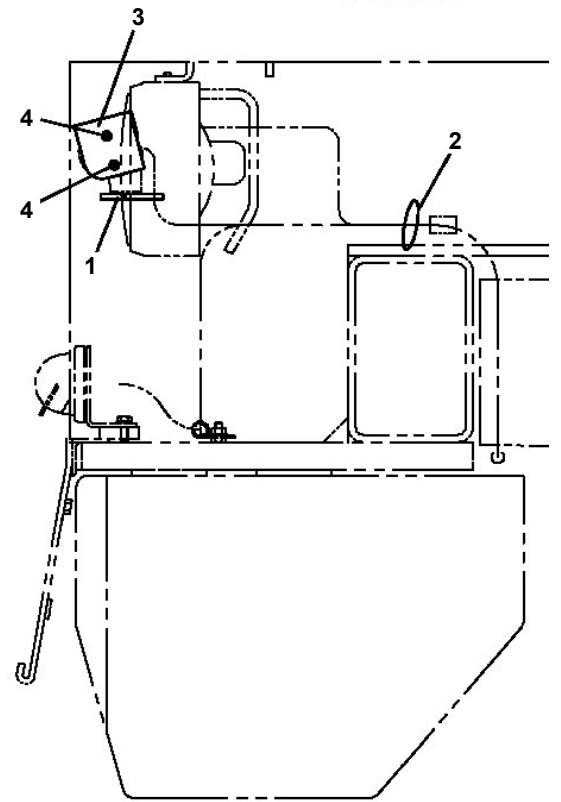
**AT-100-2 42063230200 LOWER,HINO KK-XZU301X-TYMMS6
PB1400353-01 PIPING,UPPER (WITH HYDRAULIC OUTLET)**



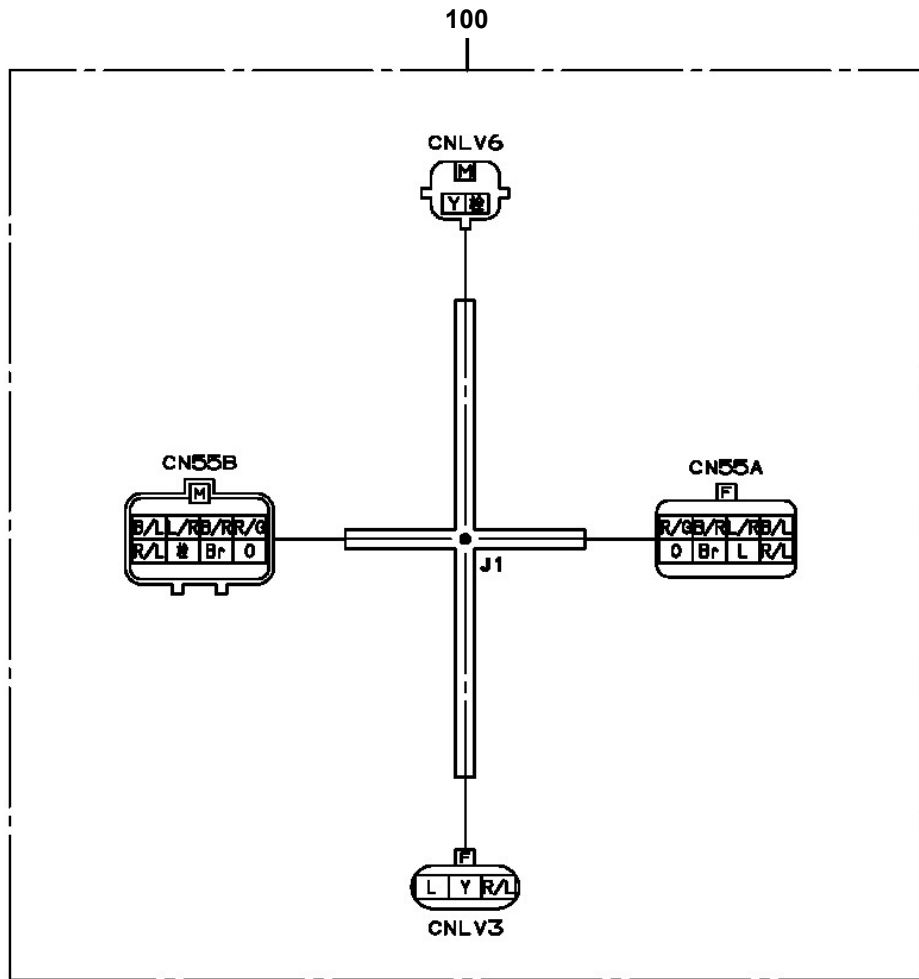
**AT-100-2 42063230200 LOWER,HINO KK-XZU301X-TYMMS6
PH1700289-01 VIEW SYSTEM (CAMERA)**



FRONT →

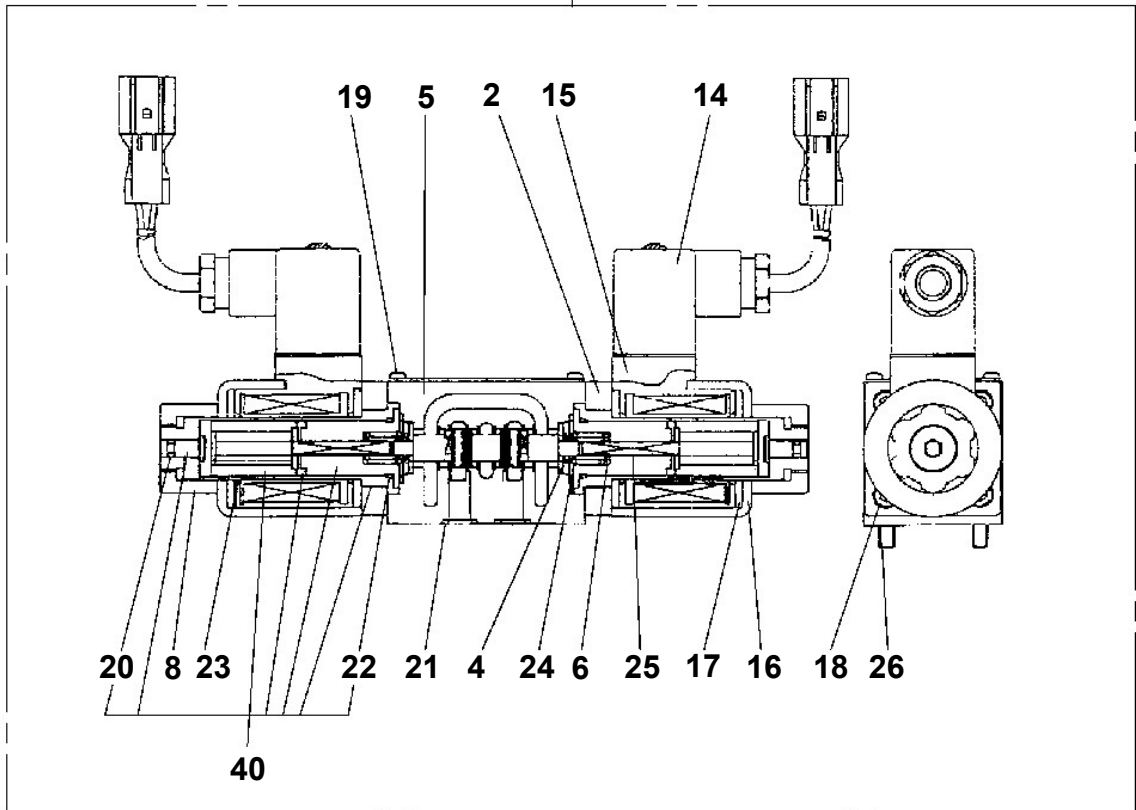


AT-100-2 42063230200 LOWER,HINO KK-XZU301X-TYMMS6
PH5032162-00 HARNESS

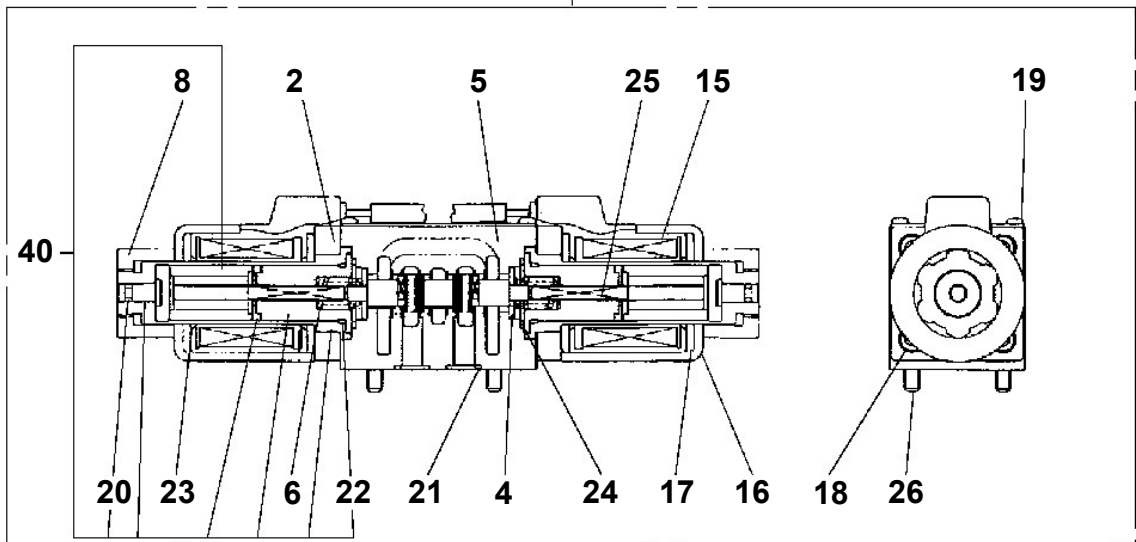


**AT-100-2 42063230200 LOWER,HINO KK-XZU301X-TYMMS6
PI1120157-01 VALVE,SOLENOID**

200



200



CLICK HERE TO **DOWNLOAD** THE COMPLETE MANUAL

- Thank you very much for reading the preview of the manual.
- You can download the complete manual from: www.heydownloads.com by clicking the link below



- Please note: If there is no response to CLICKING the link, please download this PDF first and then click on it.

CLICK HERE TO **DOWNLOAD** THE COMPLETE MANUAL

AT-100-2 42063230200 LOWER,HINO KK-XZU301X-TYMMS6

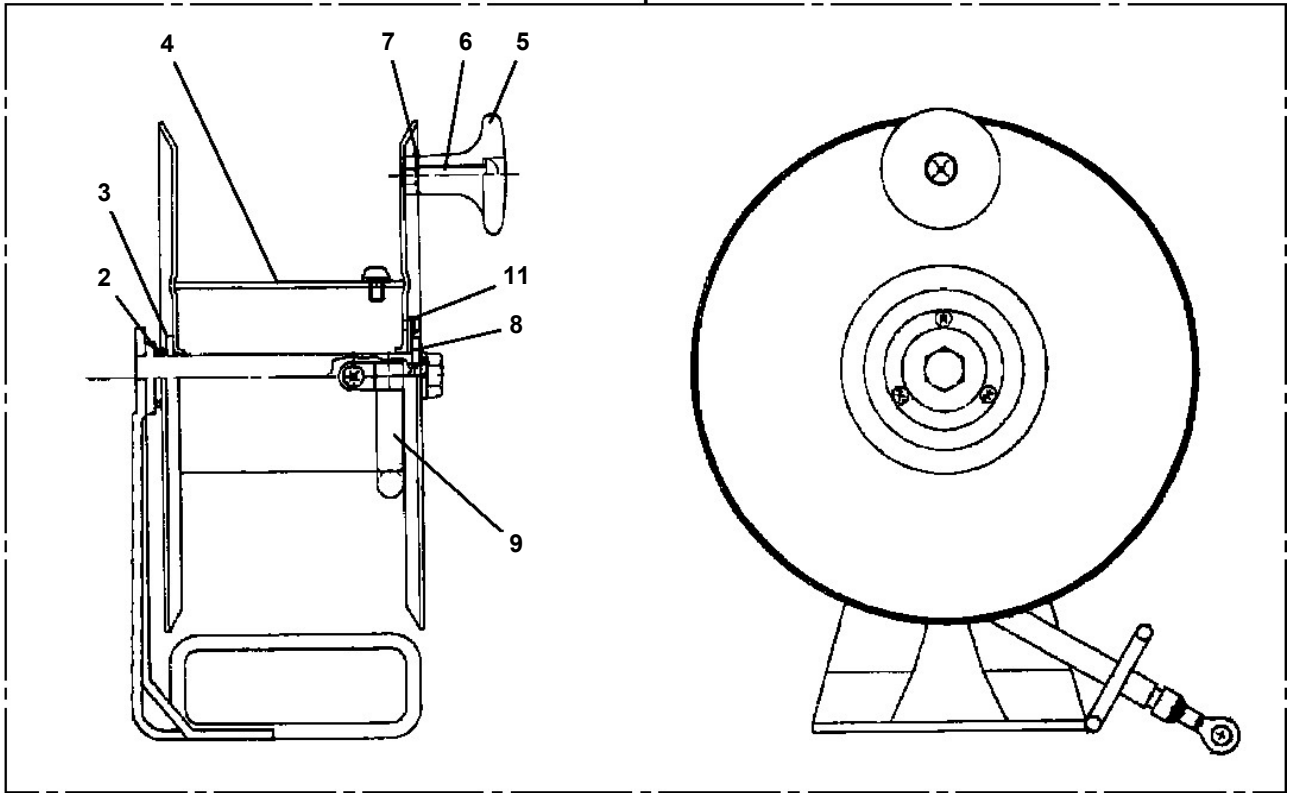
Pos No.	Parts No	Parts Name	Qty	Unit	Technical Data	Serial No (Start)	Serial No (End)	Remarks
4	36625115010	JOINT	1					
5	91002801800	O-RING	1		1B P18			
50	36625250000	VALVE,CHECK (UZUMAKI)	1					

AT-100-2 42063230200 LOWER,HINO KK-XZU301X-TYMMS6

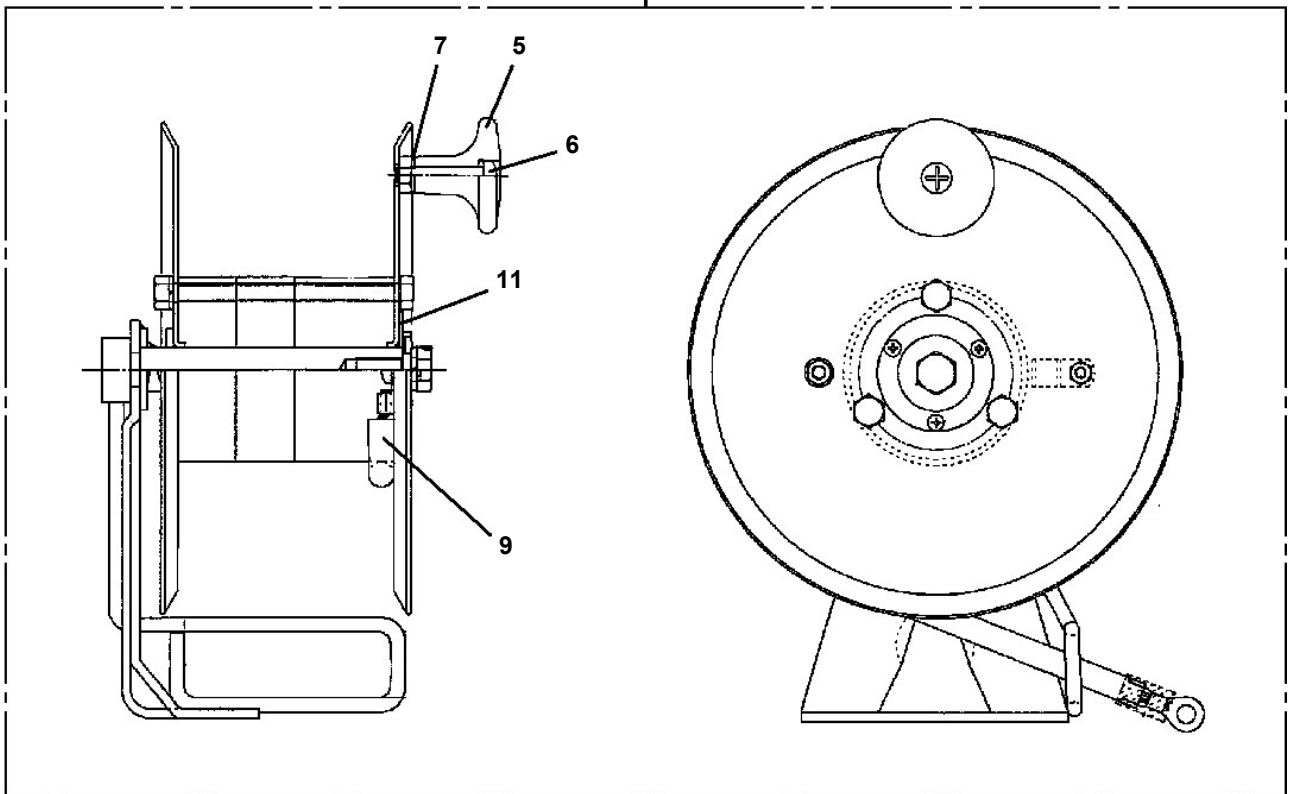
Pos No.	Parts No	Parts Name	Qty	Unit	Technical Data	Serial No (Start)	Serial No (End)	Remarks	Pages
1	42650860050	CABLE ASSY	1		L=1500		217491		
	42652695010	CABLE ASSY	1		L=1500	217492			
2	42650680600	CAP	1						
3	37002703390	CABLE ASSY	1		L=270				
4	91810132530	FASTENER	6						

AT-100-2 42063230200 LOWER, HINO KK-XZU301X-TYMMS6
PN1350026-01 REEL, CORD (FOR EARTHING)

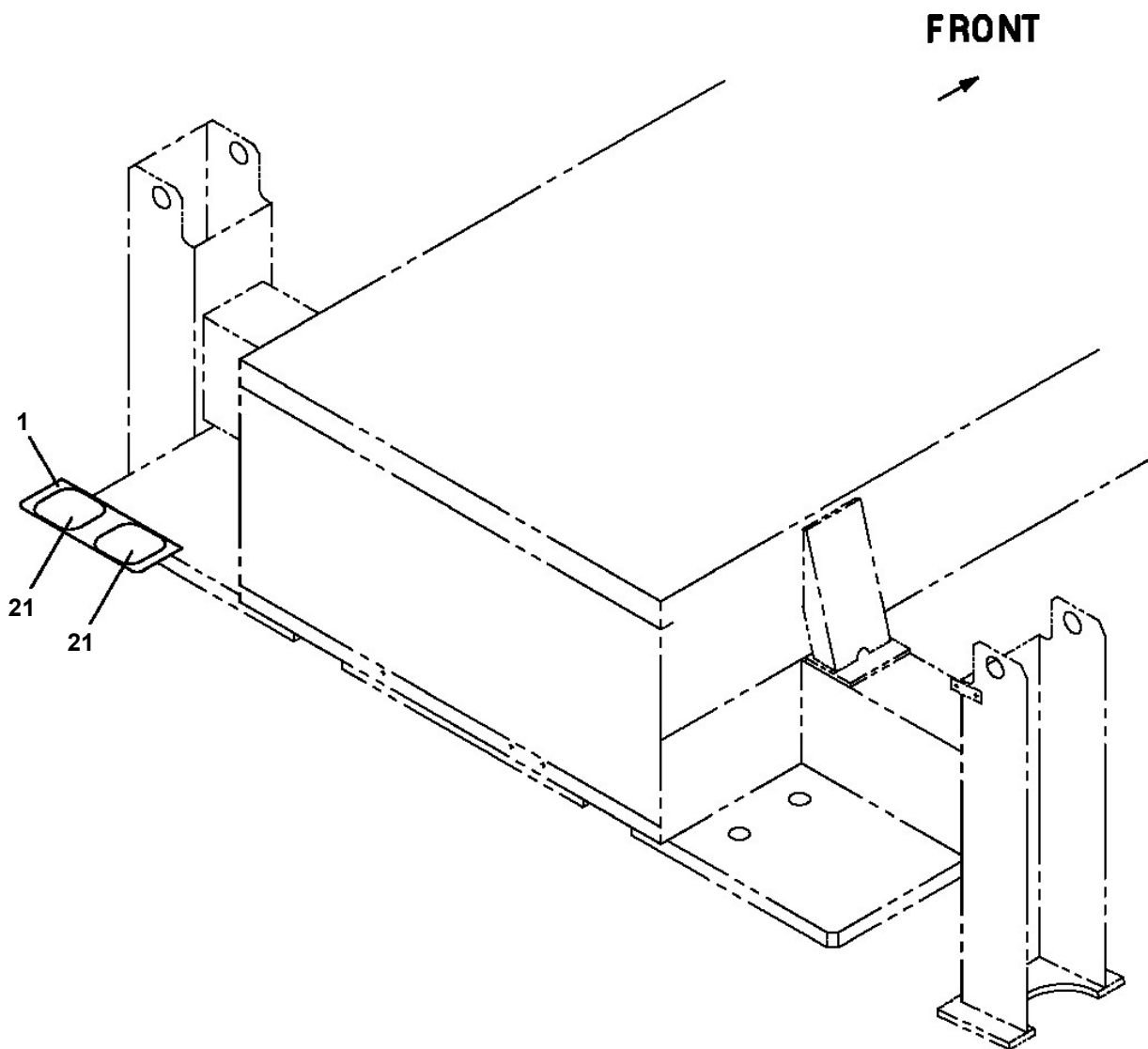
50



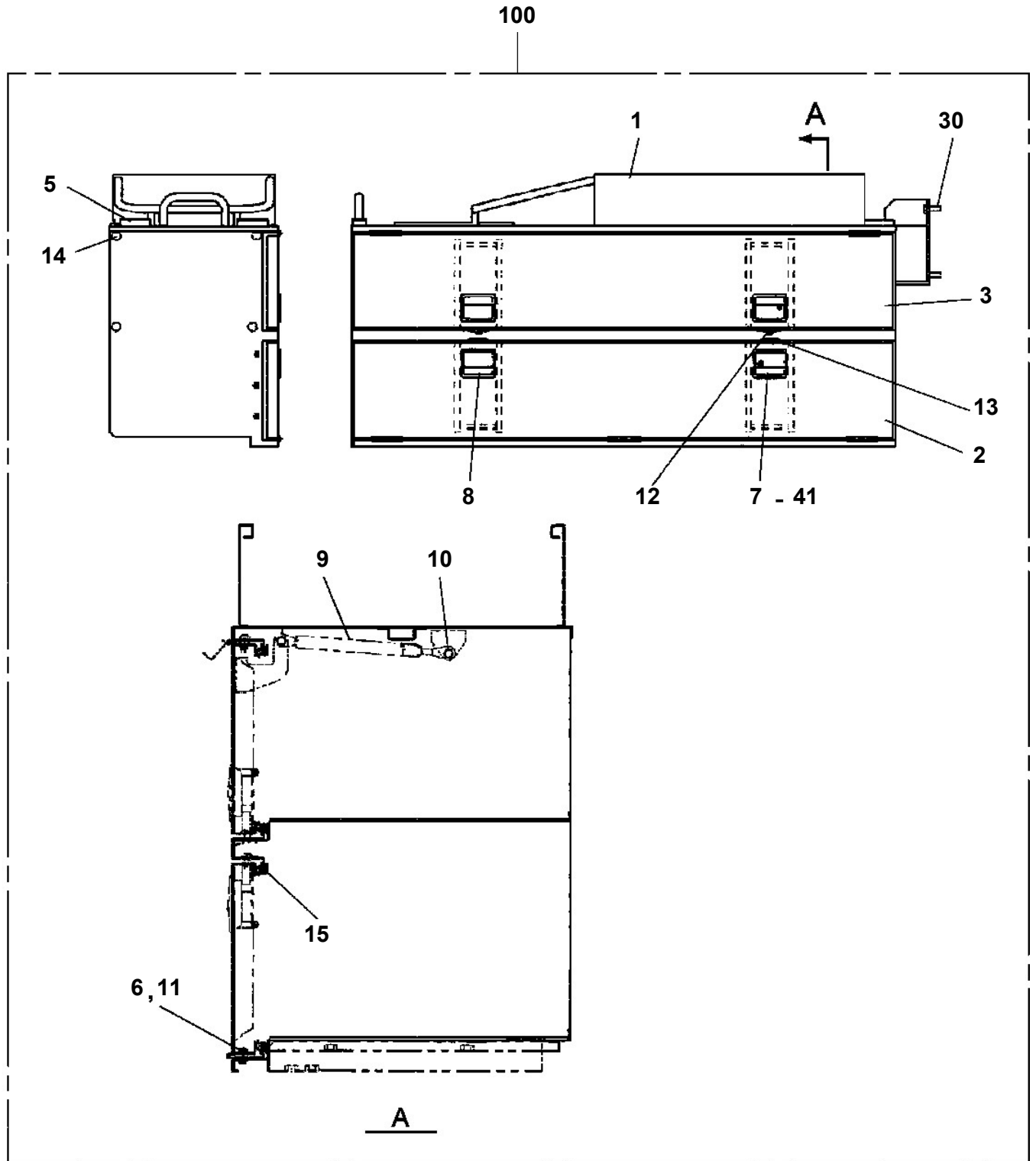
↓
50



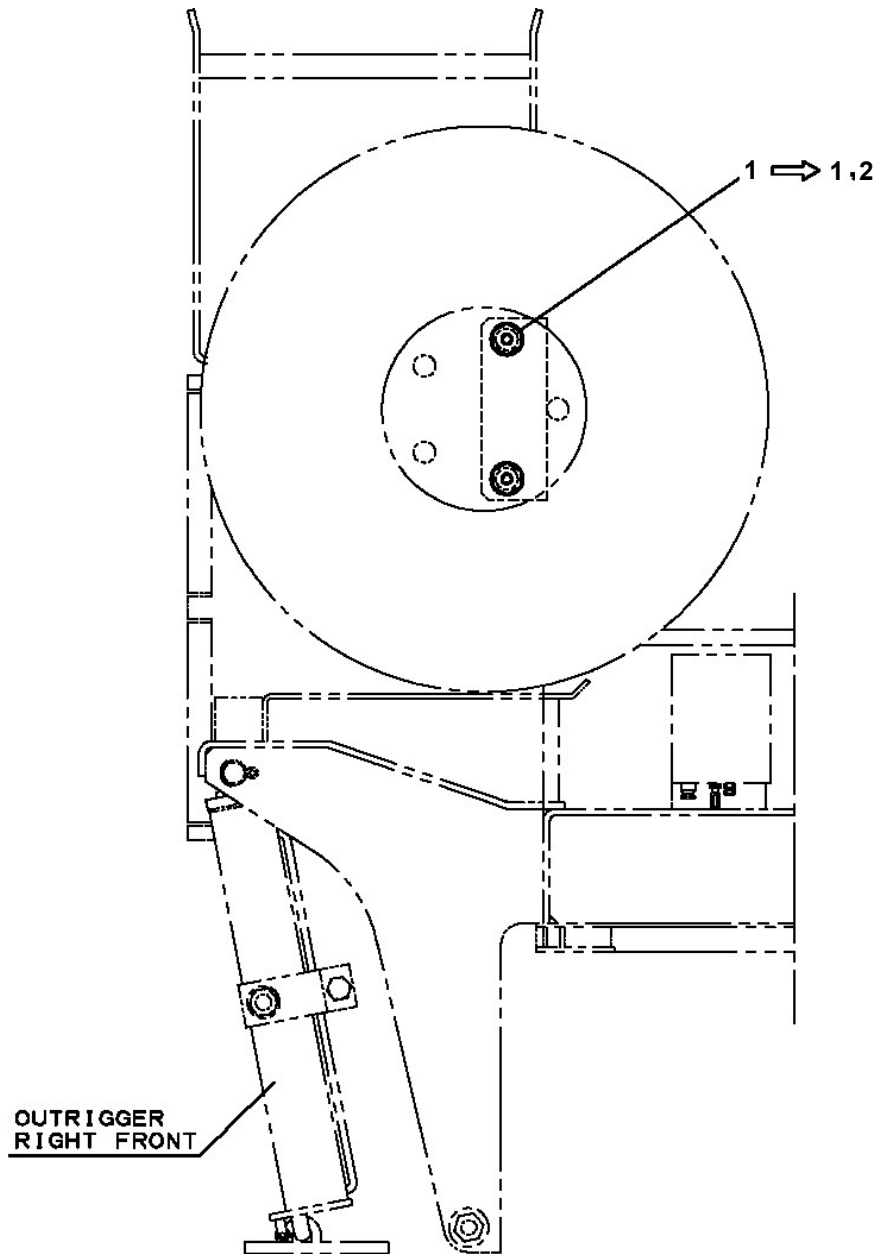
AT-100-2 42063230200 LOWER,HINO KK-XZU301X-TYMMS6
PX1260221-00 STEP



AT-100-2 42063230200 LOWER, HINO KK-XZU301X-TYMMS6
PX1350443-02 BOX, TOOL (RIGHT)



**AT-100-2 42063230200 LOWER,HINO KK-XZU301X-TYMMS6
PX1410173-02 MOUNT,TIRE**



CLICK HERE TO **DOWNLOAD** THE COMPLETE MANUAL

- Thank you very much for reading the preview of the manual.
- You can download the complete manual from: www.heydownloads.com by clicking the link below



- Please note: If there is no response to CLICKING the link, please download this PDF first and then click on it.

CLICK HERE TO **DOWNLOAD** THE COMPLETE MANUAL