




MANITOU

HANDLING YOUR WORLD

**GENUINE PARTS CATALOGUE
CATALOGUE PIECES D'ORIGINE
ORIGINAL ERSATZTEILKATALOG
CATALOGO DE PIEZAS LEGITIMAS
CATALOGO RICAMBI ORIGINALI**

This document has been printed from  **mye doc**

MANITOU BF

Head office: 430, Rue de l'Aubinière
44150 Ancenis - FRANCE
Share capital: 39,548,949 euros
857 802 508 RCS Nantes
Tel: +33 (0)2 40 09 10 11
www.manitou.com

CLICK HERE TO **DOWNLOAD** THE COMPLETE MANUAL

- Thank you very much for reading the preview of the manual.
- You can download the complete manual from: www.heydownloads.com by clicking the link below



- Please note: If there is no response to CLICKING the link, please download this PDF first and then click on it.

CLICK HERE TO **DOWNLOAD** THE COMPLETE MANUAL

_HEATER - AIR CONDITIONING

11C107 - ELECTRICITY (INSTRUMENT PANEL) (47891) See page 644
11C166 - (47891) See page 650
11C184 - (47891) See page 651

_ELECTRICITY

11C107 - ELECTRICITY (INSTRUMENT PANEL) (47891) See page 644
11C166 - (47891) See page 650
11C184 - (47891) See page 651
6B141 - (47891) See page 1152
8A163 - (47891) See page 431
8A167 - (47891) See page 436
8A232 - (47891) See page 441
8A270 - (47891) See page 444
8A273 - CAB STRUCTURE (47891) See page 449
8A276 - CAB (DETAILS) (47891) 1211
8A280 - CAB STRUCTURE - BODY (47891) See page 453
8A282 - CAB (DETAILS) (47891) 1213
8A302 - CAB (47891) See page 461
8A305 - CAB (DETAILS) (47891) 1215
8A311 - CAB (DETAILS) (47891) 1217
8A333 - CAB STRUCTURE (47891) See page 467
8A335 - CAB (DETAILS) (47891) 1219
8A338 - CAB (DETAILS) (47891) 1221
8A340 - CAB STRUCTURE (47891) See page 480
8A342 - CAB (DETAILS) (47891) 1223
8A345 - CAB (DETAILS) (47891) 1225
8A349 - CAB (DETAILS) (47891) 1227
8A358 - CAB (47891) See page 506
8A360 - CAB (DETAILS) (47891) 1229
8A364 - CAB (DETAILS) (47891) 1231

_FITTINGS - SOUND PROOFING

8A176 - CAB (DETAILS) (47891) 1234
8A184 - (47891) See page 1163
8A236 - (47891) See page 1177
8A242 - CAB (DETAILS) (47891) 1242
8A272 - CAB (47891) 1280
8A273 - CAB STRUCTURE (47891) See page 449
8A275 - CAB (DETAILS) (47891) 1282
8A276 - CAB (DETAILS) (47891) See page 1211
8A277 - CAB (DETAILS) (47891) 1291
8A278 - CAB (DETAILS) (47891) 1295
8A363 - (47891) See page 1204

_MCP O2

8A184 - (47891) See page 1163
8A236 - (47891) See page 1177
8A242 - CAB (DETAILS) (47891) See page 1242
8A363 - (47891) See page 1204
8A176 - CAB (DETAILS) (47891) See page 1234

_MCP O3

8A279 - CAB (47891) 1300
8A184 - (47891) See page 1163
8A236 - (47891) See page 1177
8A275 - CAB (DETAILS) (47891) See page 1282
8A363 - (47891) See page 1204

Item	Part No.	Name	Characteristics	Qty	Superseded PartNumber	Machine applicability
1	194697	Sticker	M226CP	1	77740	MCE 40 CP, M2 26 CP UK, M4 26 CP, M4 50 CP, M4 30 CP UK, M2 30 CP, M2 30 CP UK, M2 26 CP, M4 30 CP, MC 40 CP, MC 60 CP, MC 50 CP, M4 40 CP, MC 30 CP, M4 26 CP UK
2	194696	Sticker	M230CP	1	77741	MCE 40 CP, M2 26 CP UK, M4 26 CP, M4 50 CP, M4 30 CP UK, M2 30 CP, M2 30 CP UK, M2 26 CP, M4 30 CP, MC 40 CP, MC 60 CP, MC 50 CP, M4 40 CP, MC 30 CP, M4 26 CP UK
3	194695	Sticker	M426CP	1	77742	MCE 40 CP, M2 26 CP UK, M4 26 CP, M4 50 CP, M4 30 CP UK, M2 30 CP, M2 30 CP UK, M2 26 CP, M4 30 CP, MC 40 CP, MC 60 CP, MC 50 CP, M4 40 CP, MC 30 CP, M4 26 CP UK
4	194693	Sticker	M430CP	1	77743	MCE 40 CP, M2 26 CP UK, M4 26 CP, M4 50 CP, M4 30 CP UK, M2 30 CP, M2 30 CP UK, M2 26 CP, M4 30 CP, MC 40 CP, MC 60 CP, MC 50 CP, M4 40 CP, MC 30 CP, M4 26 CP UK
5	194699	Sticker (machine)	MCE40CP	1	77746	MCE 40 CP, M2 26 CP UK, M4 26 CP, M4 50 CP, M4 30 CP UK, M2 30 CP, M2 30 CP UK, M2 26 CP, M4 30 CP, MC 40 CP, MC 60 CP, MC 50 CP, M4 40 CP, MC 30 CP, M4 26 CP UK
6	194691	Sticker (machine)	MC40CP	1	77747	MCE 40 CP, M2 26 CP UK, M4 26 CP, M4 50 CP, M4 30 CP UK, M2 30 CP, M2 30 CP UK, M2 26 CP, M4 30 CP, MC 40 CP, MC 60 CP, MC 50 CP, M4 40 CP, MC 30 CP, M4 26 CP UK
7	194690	Sticker (machine)	MC50CP	1	77748	MCE 40 CP, M2 26 CP UK, M4 26 CP, M4 50 CP, M4 30 CP UK, M2 30 CP, M2 30 CP UK, M2 26 CP, M4 30 CP, MC 40 CP, MC 60 CP, MC 50 CP, M4 40 CP, MC 30 CP, M4 26 CP UK
8	194694	Sticker	M440CP	1	77744	MCE 40 CP, M2 26 CP UK, M4 26 CP, M4 50 CP, M4 30 CP UK, M2 30 CP, M2 30 CP UK, M2 26 CP, M4 30 CP, MC 40 CP, MC 60 CP, MC 50 CP, M4 40 CP, MC 30 CP, M4 26 CP UK
9	194692	Sticker	M450CP	1	77745	MCE 40 CP, M2 26 CP UK, M4 26 CP, M4 50 CP, M4 30 CP UK, M2 30 CP, M2 30 CP UK, M2 26 CP, M4 30 CP, MC 40 CP, MC 60 CP, MC 50 CP, M4 40 CP, MC 30 CP, M4 26 CP UK
10	194698	Sticker (machine)	MC30CP	1	184520	MCE 40 CP, M2 26 CP UK, M4 26 CP, M4 50 CP, M4 30 CP UK, M2 30 CP, M2 30 CP UK, M2 26 CP, M4 30 CP, MC 40 CP, MC 60 CP, MC 50 CP, M4 40 CP, MC 30 CP, M4 26 CP UK
11	194689	Sticker (machine)	MC60CP	1	186412	MCE 40 CP, M2 26 CP UK, M4 26 CP, M4 50 CP, M4 30 CP UK, M2 30 CP, M2 30 CP UK, M2 26 CP, M4 30 CP, MC 40 CP, MC 60 CP, MC 50 CP, M4 40 CP, MC 30 CP, M4 26 CP UK
12	76600	Sticker (white)	MANITOU	1		MCE 40 CP, M2 26 CP UK, M4 26 CP, M4 50 CP, M4 30 CP UK, M2 30 CP, M2 30 CP UK, M2 26 CP, M4 30 CP, MC 40 CP, MC 60 CP, MC 50 CP, M4 40 CP, MC 30 CP, M4 26 CP UK
13	77739	Sticker (black)	MANITOU	1	161632, 58312, 161631, 58311	MCE 40 CP, M2 26 CP UK, M4 26 CP, M4 50 CP, M4 30 CP UK, M2 30 CP, M2 30 CP UK, M2 26 CP, M4 30 CP, MC 40 CP, MC 60 CP, MC 50 CP, M4 40 CP, MC 30 CP, M4 26 CP UK

Item	Part No.	Name	Characteristics	Qty	Superseded PartNumber	Machine applicability
Not Shown	570332	Triple mast		1		M2 26 CP UK, M4 26 CP, M4 30 CP UK, M2 30 CP, M2 30 CP UK, M2 26 CP, M4 30 CP, MC 30 CP, M4 26 CP UK
Not Shown	468673	In attesa di creazione		1		M2 26 CP UK, M4 26 CP, M4 30 CP UK, M2 30 CP, M2 30 CP UK, M2 26 CP, M4 30 CP, MC 30 CP, M4 26 CP UK
Not Shown	570337	Triple mast		1		M2 26 CP UK, M4 26 CP, M4 30 CP UK, M2 30 CP, M2 30 CP UK, M2 26 CP, M4 30 CP, MC 30 CP, M4 26 CP UK
Not Shown	570332	Triple mast		1		M2 26 CP UK, M4 26 CP, M4 30 CP UK, M2 30 CP, M2 30 CP UK, M2 26 CP, M4 30 CP, MC 30 CP, M4 26 CP UK
1	182552	Load chart	CM 26/50 3M60/5M40	1	181606, 182563	M2 26 CP UK, M4 26 CP, M4 30 CP UK, M2 30 CP, M2 30 CP UK, M2 26 CP, M4 30 CP, MC 30 CP, M4 26 CP UK
2	182555	Load chart	CM 30/50 3M60/5M40	1		M2 26 CP UK, M4 26 CP, M4 30 CP UK, M2 30 CP, M2 30 CP UK, M2 26 CP, M4 30 CP, MC 30 CP, M4 26 CP UK
3	163658	Rivet		1		M2 26 CP UK, M4 26 CP, M4 30 CP UK, M2 30 CP, M2 30 CP UK, M2 26 CP, M4 30 CP, MC 30 CP, M4 26 CP UK

Item	Part No.	Name	Characteristics	Qty	Superseded PartNumber	Machine applicability
Not Shown	572130	COMPLETE MAST		1	555049, 469629, 572146	MC 50 CP, MCE 40 CP, M4 50 CP, M4 40 CP, MC 40 CP
Not Shown	572129	COMPLETE MAST		1	469628, 555048, 572145	MC 50 CP, MCE 40 CP, M4 50 CP, M4 40 CP, MC 40 CP
Not Shown	572128	COMPLETE MAST		1	555047, 469627, 572144	MC 50 CP, MCE 40 CP, M4 50 CP, M4 40 CP, MC 40 CP
Not Shown	572127	COMPLETE MAST		1	555046, 469626, 572143	MC 50 CP, MCE 40 CP, M4 50 CP, M4 40 CP, MC 40 CP
Not Shown	572131	COMPLETE MAST		1	555050, 572147	MC 50 CP, MCE 40 CP, M4 50 CP, M4 40 CP, MC 40 CP
Not Shown	572132	COMPLETE MAST		1	469631, 555051, 572148	MC 50 CP, MCE 40 CP, M4 50 CP, M4 40 CP, MC 40 CP
Not Shown	572135	COMPLETE MAST		1	572151, 555054	MC 50 CP, MCE 40 CP, M4 50 CP, M4 40 CP, MC 40 CP
Not Shown	572134	COMPLETE MAST		1	469633, 572150, 555053	MC 50 CP, MCE 40 CP, M4 50 CP, M4 40 CP, MC 40 CP
Not Shown	572133	COMPLETE MAST		1	469632, 572149, 555052	MC 50 CP, MCE 40 CP, M4 50 CP, M4 40 CP, MC 40 CP
Not Shown	572126	COMPLETE MAST		1	572142, 555045, 469625	MC 50 CP, MCE 40 CP, M4 50 CP, M4 40 CP, MC 40 CP
Not Shown	572125	COMPLETE MAST		1	572141, 469624, 555044	MC 50 CP, MCE 40 CP, M4 50 CP, M4 40 CP, MC 40 CP
Not Shown	560965	Complete triple mast with total free lift		1		MC 50 CP, MCE 40 CP, M4 50 CP, M4 40 CP, MC 40 CP
Not Shown	560964	Complete triple mast with total free lift		1		MC 50 CP, MCE 40 CP, M4 50 CP, M4 40 CP, MC 40 CP
Not Shown	560963	Complete triple mast with total free lift		1		MC 50 CP, MCE 40 CP, M4 50 CP, M4 40 CP, MC 40 CP
Not Shown	560966	Complete triple mast with total free lift		1		MC 50 CP, MCE 40 CP, M4 50 CP, M4 40 CP, MC 40 CP
Not Shown	469851	NO LONGER AVAILABLE		1		MC 50 CP, MCE 40 CP, M4 50 CP, M4 40 CP, MC 40 CP
Not Shown	572124	COMPLETE MAST		1	572140, 555043, 469623	MC 50 CP, MCE 40 CP, M4 50 CP, M4 40 CP, MC 40 CP
Not Shown	560969	Complete triple mast with total free lift		1		MC 50 CP, MCE 40 CP, M4 50 CP, M4 40 CP, MC 40 CP
Not Shown	560968	Complete triple mast with total free lift		1		MC 50 CP, MCE 40 CP, M4 50 CP, M4 40 CP, MC 40 CP
Not Shown	572136	COMPLETE MAST		1	572152, 469635, 555055	MC 50 CP, MCE 40 CP, M4 50 CP, M4 40 CP, MC 40 CP
Not Shown	572137	COMPLETE MAST		1	572153, 555056, 469636	MC 50 CP, MCE 40 CP, M4 50 CP, M4 40 CP, MC 40 CP
Not Shown	560964	Complete triple mast with total free lift		1		MC 50 CP, MCE 40 CP, M4 50 CP, M4 40 CP, MC 40 CP
Not Shown	560963	Complete triple mast with total free lift		1		MC 50 CP, MCE 40 CP, M4 50 CP, M4 40 CP, MC 40 CP

LOAD GUARD

5 A 272

MAT TRIPLE (Hauteur de levée : 6,00m) (Inclinaison standard 10°/15°)
 DREIFACH HUBMAST (Hubhöhe : 6,00m) (Standard neigung 10°/15°)
 MASTIL TRIPLE (Altura de levantamiento : 6,00m) (Inclinación estandard 10°/15°)
 TRIPLE MAST (Lift height : 236,22") (Standard tilting 10°/15°)

MC 40 CP
 MC 50 CP
 MCE 40 CP

M4 40 CP
 M4 50 CP

★ SUivant MONTAGE
 NACH MONTAGE
 SEGUN MONTAJE
 AS MOUNTING

N° DE MAT A SPECIFIER POUR TOUTE COMMANDE DE PIECES
 HUBMAST NUMMER ZUGEBEN FÜR ALLE TEILE
 N° DE MASTIL A ESPECIFICAR PARA TODAS PEDIDAS DE PIEZAS
 MAST NUMBER TO SPECIFY FOR ALL PARTS ORDER

REFERENCE DES FOURCHES
 GABELNUMBER
 NUMERO DE HORQUILLAS
 FORK'S NUMBER

111 (M4 40/50CP)

112 (MC 40/50CP)
 112 (MCE40CP)

15
 B5

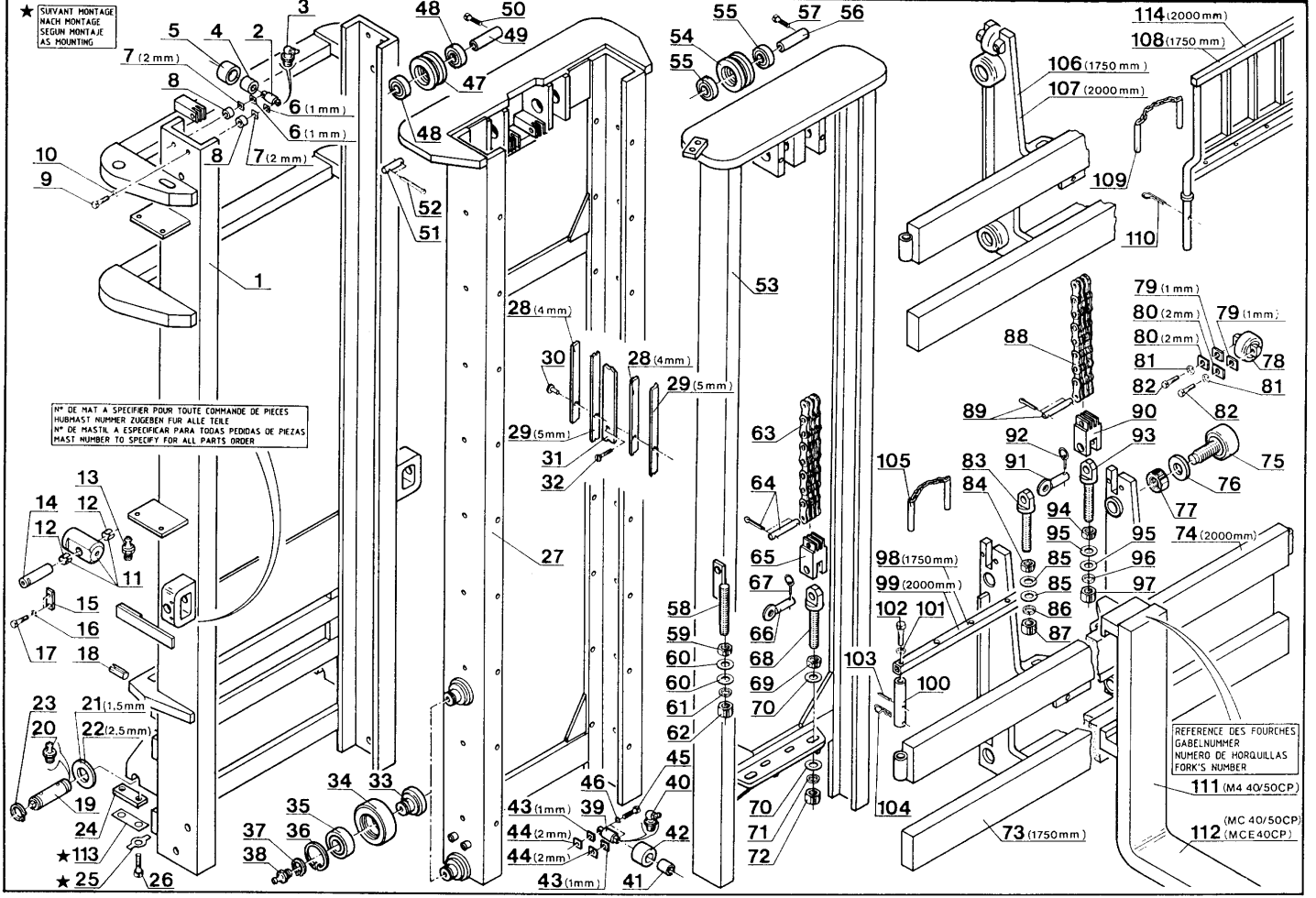


Image does not exist

Item	Part No.	Name	Characteristics	Qty	Superseded PartNumber	Machine applicability
58	9999	Washer	-	1	448082, 2735036MI, 961503047 071, 127292, 961503050 071, 419927, 449303, 41948, A4182445A , 419946, 455728, 52013, A7318662A , 105424, 501261, H933088R1	MCE 40 CP, M4 40 CP, MC 40 CP
59	24530	Guide roller with axle		1		MCE 40 CP, M4 40 CP, MC 40 CP
60	190896	Wedge		1	180482, 501226	MCE 40 CP, M4 40 CP, MC 40 CP
61	180483	Wedge		1		MCE 40 CP, M4 40 CP, MC 40 CP
62	42232	null		1		MCE 40 CP, M4 40 CP, MC 40 CP
63	40760	Screw	HM10	1		MCE 40 CP, M4 40 CP, MC 40 CP
64	19080	Fork locking	L1750mm	1		MCE 40 CP, M4 40 CP, MC 40 CP
65	58558	Screw	H M14-60-8.8- ZN8/C, H,M14- 60- 8.8-ZN8/C	1		MCE 40 CP, M4 40 CP, MC 40 CP
66	42256	Washer		1		MCE 40 CP, M4 40 CP, MC 40 CP
67	178905	Forks locking axle		1		MCE 40 CP, M4 40 CP, MC 40 CP
68	7955	MECA pin		1		MCE 40 CP, M4 40 CP, MC 40 CP
69	9784	Pin		1		MCE 40 CP, M4 40 CP, MC 40 CP
70	20029	Spindle		1		MCE 40 CP, M4 40 CP, MC 40 CP
71	95884	Fork	150X60X1200- 813/503M	1		MCE 40 CP, M4 40 CP, MC 40 CP
72	2637	Circlip		1		MCE 40 CP, M4 40 CP, MC 40 CP
73	181490	Washer	SP 46x68x1,5ZN	1		MCE 40 CP, M4 40 CP, MC 40 CP
74	181491	Washer		1		MCE 40 CP, M4 40 CP, MC 40 CP
75	95884	Fork	150X60X1200- 813/503M	1		MCE 40 CP, M4 40 CP, MC 40 CP
76	415334	Fork	150X60X1200- 753/503M	1		MCE 40 CP, M4 40 CP, MC 40 CP
77	183970	Small plate		1		MCE 40 CP, M4 40 CP, MC 40 CP
78	188015	Carriage	P.E. 4T L2000	1		MCE 40 CP, M4 40 CP, MC 40 CP
79	468479	CARRIER		1		MCE 40 CP, M4 40 CP, MC 40 CP
80	165529	Fork locking	L2000mm	1		MCE 40 CP, M4 40 CP, MC 40 CP
81	29469	Washer	M6	1		MCE 40 CP, M4 40 CP, MC 40 CP
82	54305	Screw	HM6	1		MCE 40 CP, M4 40 CP, MC 40 CP
83	192553	GUIDE		1		MCE 40 CP, M4 40 CP, MC 40 CP

Item	Part No.	Name	Characteristics	Qty	Superseded PartNumber	Machine applicability
30	160552	Screw	HM12	1		M4 26 CP, M2 26 CP
31	221009	Fork support carriage, bare	L1320mm	1		M4 26 CP, M2 26 CP
32	188060	Carriage	P.E. 2T -2T6 L1750	1		M4 26 CP, M2 26 CP
33	188062	Carriage	P.E. 2T -2T6 L2000	1		M4 26 CP, M2 26 CP
34	7590	Roller with axle		1		M4 26 CP, M2 26 CP
35	662	Spring washer	30,5x60x3,5ZN	1		M4 26 CP, M2 26 CP
36	58388	Nut	HM,M30 P150 C05 ZN..C	1	105720, 6934	M4 26 CP, M2 26 CP
37	663	Nut	PALD30 P150	1		M4 26 CP, M2 26 CP
38	51121	Guide roller with axle		1	13377	M4 26 CP, M2 26 CP
39	42232	null		1		M4 26 CP, M2 26 CP
40	62673	Screw	H M10	1		M4 26 CP, M2 26 CP
41	38368	Shim kit		1		M4 26 CP, M2 26 CP
42	176652	Locker		1		M4 26 CP, M2 26 CP
43	168268	Pin		1		M4 26 CP, M2 26 CP
44	53401	Pin	3,5x18 E	1		M4 26 CP, M2 26 CP
45	34008	Spring		1		M4 26 CP, M2 26 CP
46	176177	Cam		1		M4 26 CP, M2 26 CP
47	176179	Shim		1		M4 26 CP, M2 26 CP
48	31003	SCREW H,M10- 60-8.8-ZN8/C		1		M4 26 CP, M2 26 CP
49	42232	null		1		M4 26 CP, M2 26 CP
50	56354	Nut	M10	1		M4 26 CP, M2 26 CP
51	180392	Hinge pin		1		M4 26 CP, M2 26 CP
52	5135	Straight greaser	M10	1		M4 26 CP, M2 26 CP
53	219280	Stop plate		1		M4 26 CP, M2 26 CP
54	2637	Circlip		1		M4 26 CP, M2 26 CP
55	180426	*		1		M4 26 CP, M2 26 CP
56	183970	Small plate		1		M4 26 CP, M2 26 CP
57	58611	Screw	H,M18- 50-8.8-ZN8/C, HM18, H M18-50 zn	1		M4 26 CP, M2 26 CP
58	181490	Washer	SP 46x68x1,5ZN	1		M4 26 CP, M2 26 CP
59	181491	Washer		1		M4 26 CP, M2 26 CP
60	77670	PLUG		1		M4 26 CP, M2 26 CP
61	77409	Ring		1		M4 26 CP, M2 26 CP
62	5135	Straight greaser	M10	1		M4 26 CP, M2 26 CP
63	77399	Hinge pin		1		M4 26 CP, M2 26 CP
64	165363	Mounting plate		1		M4 26 CP, M2 26 CP
65	42232	null		1		M4 26 CP, M2 26 CP

Item	Part No.	Name	Characteristics	Qty	Superseded PartNumber	Machine applicability
Not Shown	555157	In attesa di creazione		1		MC 50 CP, MCE 40 CP, M4 50 CP, M4 40 CP, MC 40 CP
Not Shown	555156	In attesa di creazione		1		MC 50 CP, MCE 40 CP, M4 50 CP, M4 40 CP, MC 40 CP
1	219264	Fixed upright	3,00m	1		MC 50 CP, MCE 40 CP, M4 50 CP, M4 40 CP, MC 40 CP
1	219265	Fixed upright	3,30m	1		MC 50 CP, MCE 40 CP, M4 50 CP, M4 40 CP, MC 40 CP
1	219268	Fixed upright	4,00m	1		MC 50 CP, MCE 40 CP, M4 50 CP, M4 40 CP, MC 40 CP
1	219270	Fixed upright	5,00m	1		MC 50 CP, MCE 40 CP, M4 50 CP, M4 40 CP, MC 40 CP
1	219269	Fixed upright	4,50m	1		MC 50 CP, MCE 40 CP, M4 50 CP, M4 40 CP, MC 40 CP
1	219266	Fixed upright	3,50m	1		MC 50 CP, MCE 40 CP, M4 50 CP, M4 40 CP, MC 40 CP
1	219267	Fixed upright	3,70m	1		MC 50 CP, MCE 40 CP, M4 50 CP, M4 40 CP, MC 40 CP
2	171605	Shim	0,5mm	1	612342074 071, 612342200 071, U61234207 4071, 612342054 071	MC 50 CP, MCE 40 CP, M4 50 CP, M4 40 CP, MC 40 CP
2	588592	Shim	1mm	1	U61233207 4071, 612332074 071	MC 50 CP, MCE 40 CP, M4 50 CP, M4 40 CP, MC 40 CP
2	588592	Shim	1mm	1	U61233207 4071, 612332074 071	MC 50 CP, MCE 40 CP, M4 50 CP, M4 40 CP, MC 40 CP
2	171605	Shim	0,5mm	1	612342074 071, 612342200 071, U61234207 4071, 612342054 071	MC 50 CP, MCE 40 CP, M4 50 CP, M4 40 CP, MC 40 CP
3	588354	Friction lining side		1	612012074 071, U61201207 4071	MC 50 CP, MCE 40 CP, M4 50 CP, M4 40 CP, MC 40 CP
3	588354	Friction lining side		1	612012074 071, U61201207 4071	MC 50 CP, MCE 40 CP, M4 50 CP, M4 40 CP, MC 40 CP
4	193895	Roller axle		1		MC 50 CP, MCE 40 CP, M4 50 CP, M4 40 CP, MC 40 CP
5	192552	Ring		1		MC 50 CP, MCE 40 CP, M4 50 CP, M4 40 CP, MC 40 CP
6	199429	Roller		1		MC 50 CP, MCE 40 CP, M4 50 CP, M4 40 CP, MC 40 CP
7	81362	Elbow greaser	M6	1		MC 50 CP, MCE 40 CP, M4 50 CP, M4 40 CP, MC 40 CP
8	201219	Shim	1mm, 1 mm	1		MC 50 CP, MCE 40 CP, M4 50 CP, M4 40 CP, MC 40 CP

Item	Part No.	Name	Characteristics	Qty	Superseded PartNumber	Machine applicability
Not Shown	555163	NO LONGER AVAILABLE		1		MC 50 CP, MCE 40 CP, M4 50 CP, M4 40 CP, MC 40 CP
Not Shown	555162	NO LONGER AVAILABLE		1		MC 50 CP, MCE 40 CP, M4 50 CP, M4 40 CP, MC 40 CP
Not Shown	555164	COMPLETE MAST		1		MC 50 CP, MCE 40 CP, M4 50 CP, M4 40 CP, MC 40 CP
Not Shown	555165	COMPLETE MAST		1		MC 50 CP, MCE 40 CP, M4 50 CP, M4 40 CP, MC 40 CP
Not Shown	555078	In attesa di creazione		1		MC 50 CP, MCE 40 CP, M4 50 CP, M4 40 CP, MC 40 CP
Not Shown	555166	COMPLETE MAST		1		MC 50 CP, MCE 40 CP, M4 50 CP, M4 40 CP, MC 40 CP
Not Shown	560430OPT	COMPLETE MAST		1	560402, 555075	MC 50 CP, MCE 40 CP, M4 50 CP, M4 40 CP, MC 40 CP
Not Shown	560431OPT	COMPLETE MAST		1	560403, 555076	MC 50 CP, MCE 40 CP, M4 50 CP, M4 40 CP, MC 40 CP
Not Shown	560435OPT	COMPLETE MAST		1	555080, 560407	MC 50 CP, MCE 40 CP, M4 50 CP, M4 40 CP, MC 40 CP
Not Shown	560434OPT	COMPLETE MAST		1	555079, 560406	MC 50 CP, MCE 40 CP, M4 50 CP, M4 40 CP, MC 40 CP
Not Shown	560436OPT	COMPLETE MAST		1	555081, 560408	MC 50 CP, MCE 40 CP, M4 50 CP, M4 40 CP, MC 40 CP
Not Shown	555161	NO LONGER AVAILABLE		1		MC 50 CP, MCE 40 CP, M4 50 CP, M4 40 CP, MC 40 CP
Not Shown	560432OPT	COMPLETE MAST		1	560404, 555077	MC 50 CP, MCE 40 CP, M4 50 CP, M4 40 CP, MC 40 CP
Not Shown	469837	NO LONGER AVAILABLE		1		MC 50 CP, MCE 40 CP, M4 50 CP, M4 40 CP, MC 40 CP
Not Shown	555224	NO LONGER AVAILABLE		1		MC 50 CP, MCE 40 CP, M4 50 CP, M4 40 CP, MC 40 CP
Not Shown	560418OPT	COMPLETE MAST		1	469826, 560390	MC 50 CP, MCE 40 CP, M4 50 CP, M4 40 CP, MC 40 CP
Not Shown	560417OPT	COMPLETE MAST		1	560389, 469825	MC 50 CP, MCE 40 CP, M4 50 CP, M4 40 CP, MC 40 CP
Not Shown	560419OPT	COMPLETE MAST		1	469827, 560391	MC 50 CP, MCE 40 CP, M4 50 CP, M4 40 CP, MC 40 CP
Not Shown	560420OPT	COMPLETE MAST		1	469828, 560392	MC 50 CP, MCE 40 CP, M4 50 CP, M4 40 CP, MC 40 CP
Not Shown	469830	In attesa di creazione		1		MC 50 CP, MCE 40 CP, M4 50 CP, M4 40 CP, MC 40 CP
Not Shown	469824	COMPLETE MAST		1		MC 50 CP, MCE 40 CP, M4 50 CP, M4 40 CP, MC 40 CP
Not Shown	469831	COMPLETE MAST		1		MC 50 CP, MCE 40 CP, M4 50 CP, M4 40 CP, MC 40 CP
Not Shown	469835	COMPLETE MAST		1		MC 50 CP, MCE 40 CP, M4 50 CP, M4 40 CP, MC 40 CP
Not Shown	469836	COMPLETE MAST		1		MC 50 CP, MCE 40 CP, M4 50 CP, M4 40 CP, MC 40 CP
Not Shown	469834	COMPLETE MAST		1		MC 50 CP, MCE 40 CP, M4 50 CP, M4 40 CP, MC 40 CP
Not Shown	469833	NO LONGER AVAILABLE		1		MC 50 CP, MCE 40 CP, M4 50 CP, M4 40 CP, MC 40 CP

Item	Part No.	Name	Characteristics	Qty	Superseded PartNumber	Machine applicability
Not Shown	560964	Complete triple mast with total free lift		1		MC 50 CP, MCE 40 CP, M4 50 CP, M4 40 CP, MC 40 CP
Not Shown	560963	Complete triple mast with total free lift		1		MC 50 CP, MCE 40 CP, M4 50 CP, M4 40 CP, MC 40 CP
Not Shown	560965	Complete triple mast with total free lift		1		MC 50 CP, MCE 40 CP, M4 50 CP, M4 40 CP, MC 40 CP
Not Shown	560966	Complete triple mast with total free lift		1		MC 50 CP, MCE 40 CP, M4 50 CP, M4 40 CP, MC 40 CP
Not Shown	560968	Complete triple mast with total free lift		1		MC 50 CP, MCE 40 CP, M4 50 CP, M4 40 CP, MC 40 CP
Not Shown	469851	NO LONGER AVAILABLE		1		MC 50 CP, MCE 40 CP, M4 50 CP, M4 40 CP, MC 40 CP
Not Shown	560962	Complete triple mast with total free lift		1		MC 50 CP, MCE 40 CP, M4 50 CP, M4 40 CP, MC 40 CP
Not Shown	560961	Complete triple mast with total free lift		1		MC 50 CP, MCE 40 CP, M4 50 CP, M4 40 CP, MC 40 CP
Not Shown	560955	Complete triple mast with total free lift		1		MC 50 CP, MCE 40 CP, M4 50 CP, M4 40 CP, MC 40 CP
Not Shown	560954	Complete triple mast with total free lift		1		MC 50 CP, MCE 40 CP, M4 50 CP, M4 40 CP, MC 40 CP
Not Shown	560956	Complete triple mast with total free lift		1		MC 50 CP, MCE 40 CP, M4 50 CP, M4 40 CP, MC 40 CP
Not Shown	560957	Complete triple mast with total free lift		1		MC 50 CP, MCE 40 CP, M4 50 CP, M4 40 CP, MC 40 CP
Not Shown	469843	In attesa di creazione		1		MC 50 CP, MCE 40 CP, M4 50 CP, M4 40 CP, MC 40 CP
Not Shown	560958	Complete triple mast with total free lift		1		MC 50 CP, MCE 40 CP, M4 50 CP, M4 40 CP, MC 40 CP
Not Shown	560969	Complete triple mast with total free lift		1		MC 50 CP, MCE 40 CP, M4 50 CP, M4 40 CP, MC 40 CP
Not Shown	560960	Complete triple mast with total free lift		1		MC 50 CP, MCE 40 CP, M4 50 CP, M4 40 CP, MC 40 CP
1	219325	Fixed upright	4,70m, 4,70 m	1		MC 50 CP, MCE 40 CP, M4 50 CP, M4 40 CP, MC 40 CP
1	219327	Fixed upright	5,50m, 5,50 m	1		MC 50 CP, MCE 40 CP, M4 50 CP, M4 40 CP, MC 40 CP
1	219323	Fixed upright	4,30m, 4,30 m	1		MC 50 CP, MCE 40 CP, M4 50 CP, M4 40 CP, MC 40 CP
1	219328	Fixed upright	6,00m, 6,00 m	1		MC 50 CP, MCE 40 CP, M4 50 CP, M4 40 CP, MC 40 CP
1	219322	Fixed upright	4,00m, 4,00 m	1		MC 50 CP, MCE 40 CP, M4 50 CP, M4 40 CP, MC 40 CP
1	219321	Fixed upright	3,70 m, 3,70m	1		MC 50 CP, MCE 40 CP, M4 50 CP, M4 40 CP, MC 40 CP
1	219326	Fixed upright	5,00 m, 5,00m	1		MC 50 CP, MCE 40 CP, M4 50 CP, M4 40 CP, MC 40 CP
1	219324	Fixed upright	4,50 m, 4,50m	1		MC 50 CP, MCE 40 CP, M4 50 CP, M4 40 CP, MC 40 CP

Item	Part No.	Name	Characteristics	Qty	Superseded PartNumber	Machine applicability
113	175551	Pin		1		MC 50 CP, MCE 40 CP, M4 50 CP, M4 40 CP, MC 40 CP
114	175116	Lever		1		MC 50 CP, MCE 40 CP, M4 50 CP, M4 40 CP, MC 40 CP
115	175549	Spring		1		MC 50 CP, MCE 40 CP, M4 50 CP, M4 40 CP, MC 40 CP
116	175115	NO LONGER AVAILABLE		1		MC 50 CP, MCE 40 CP, M4 50 CP, M4 40 CP, MC 40 CP
117	175551	Pin		1		MC 50 CP, MCE 40 CP, M4 50 CP, M4 40 CP, MC 40 CP
118	206837	Guide		1		MC 50 CP, MCE 40 CP, M4 50 CP, M4 40 CP, MC 40 CP

Item	Part No.	Name	Characteristics	Qty	Superseded PartNumber	Machine applicability
73	176716	Screw	HM14	1		MC 50 CP, MCE 40 CP, M4 50 CP, M4 40 CP, MC 40 CP
74	9911	Washer	SP 14,5x52x4 ZN	1		MC 50 CP, MCE 40 CP, M4 50 CP, M4 40 CP, MC 40 CP
75	58550	Screw	HM12	1		MC 50 CP, MCE 40 CP, M4 50 CP, M4 40 CP, MC 40 CP
76	58548	Nut	M12	1		MC 50 CP, MCE 40 CP, M4 50 CP, M4 40 CP, MC 40 CP
77	415493	Fork		1		MC 50 CP, MCE 40 CP, M4 50 CP, M4 40 CP, MC 40 CP
78	175116	Lever		1		MC 50 CP, MCE 40 CP, M4 50 CP, M4 40 CP, MC 40 CP
79	175550	Washer	SP 17x22x1,5	1		MC 50 CP, MCE 40 CP, M4 50 CP, M4 40 CP, MC 40 CP
80	175549	Spring		1		MC 50 CP, MCE 40 CP, M4 50 CP, M4 40 CP, MC 40 CP
81	175551	Pin		1		MC 50 CP, MCE 40 CP, M4 50 CP, M4 40 CP, MC 40 CP
82	419742	latch		1		MC 50 CP, MCE 40 CP, M4 50 CP, M4 40 CP, MC 40 CP
83	415495	Fork		1		MC 50 CP, MCE 40 CP, M4 50 CP, M4 40 CP, MC 40 CP
84	175116	Lever		1		MC 50 CP, MCE 40 CP, M4 50 CP, M4 40 CP, MC 40 CP
85	175549	Spring		1		MC 50 CP, MCE 40 CP, M4 50 CP, M4 40 CP, MC 40 CP
86	175115	NO LONGER AVAILABLE		1		MC 50 CP, MCE 40 CP, M4 50 CP, M4 40 CP, MC 40 CP
87	175551	Pin		1		MC 50 CP, MCE 40 CP, M4 50 CP, M4 40 CP, MC 40 CP
88	415497	Fork		1		MC 50 CP, MCE 40 CP, M4 50 CP, M4 40 CP, MC 40 CP
89	445499	In attesa di creazione		1		MC 50 CP, MCE 40 CP, M4 50 CP, M4 40 CP, MC 40 CP
90	206837	Guide		1		MC 50 CP, MCE 40 CP, M4 50 CP, M4 40 CP, MC 40 CP
91	42256	Washer		1		MC 50 CP, MCE 40 CP, M4 50 CP, M4 40 CP, MC 40 CP
92	168358	Screw	VIS H,M14- 50/50-10.9-ZN8/C, H,M14- 50-10.9-ZN8/C, H M14-50-10.9-ZN8/C	1		MC 50 CP, MCE 40 CP, M4 50 CP, M4 40 CP, MC 40 CP
93	42231	Washer		1		MC 50 CP, MCE 40 CP, M4 50 CP, M4 40 CP, MC 40 CP
94	169353	Screw	H,M12-150- 45-8.8-ZN8/C	1		MC 50 CP, MCE 40 CP, M4 50 CP, M4 40 CP, MC 40 CP

Item	Part No.	Name	Characteristics	Qty	Superseded PartNumber	Machine applicability
Not Shown	469751	COMPLETE MAST		1		MC 30 CP
Not Shown	468656	COMPLETE MAST		1		MC 30 CP
Not Shown	170068	In attesa di creazione		1		MC 30 CP
Not Shown	170066	In attesa di creazione		1		MC 30 CP
Not Shown	170064	In attesa di creazione		1		MC 30 CP
Not Shown	468655	COMPLETE MAST		1		MC 30 CP
Not Shown	46865	In attesa di creazione		1		MC 30 CP
Not Shown	468653	COMPLETE MAST		1		MC 30 CP
Not Shown	468652	COMPLETE MAST		1		MC 30 CP
Not Shown	468651	COMPLETE MAST		1		MC 30 CP
Not Shown	468650	COMPLETE MAST		1		MC 30 CP
Not Shown	468654	COMPLETE MAST		1		MC 30 CP
Not Shown	170062	*		1		MC 30 CP
Not Shown	170058	In attesa di creazione		1		MC 30 CP
Not Shown	469753	COMPLETE MAST		1		MC 30 CP
Not Shown	170056	In attesa di creazione		1		MC 30 CP
Not Shown	469754	COMPLETE MAST		1		MC 30 CP
Not Shown	469755	COMPLETE MAST		1		MC 30 CP
Not Shown	469757	COMPLETE MAST		1		MC 30 CP
Not Shown	170060	In attesa di creazione		1		MC 30 CP
Not Shown	469756	COMPLETE MAST		1		MC 30 CP
Not Shown	469752	COMPLETE MAST		1		MC 30 CP
1	170057	Hose	H2S 8FC12S FC12S L4200	1		MC 30 CP
2	170059	Hose		1		MC 30 CP
3	170061	Hose	L4700	1		MC 30 CP
4	170063	Hose	H2S 8FC12S FC12S L4900	1		MC 30 CP
5	170065	Hose	H2S 8FC12S FC12S L5200	1		MC 30 CP
6	170067	Hose	H2S 8FC12S FC12S L5700	1		MC 30 CP
7	170069	Hose	L6200	1		MC 30 CP
8	63124	Hose pulley		1		MC 30 CP
9	164090	Pulley axle		1		MC 30 CP
10	61678	Washer	L12	1		MC 30 CP
11	42231	Washer		1		MC 30 CP
12	58550	Screw	HM12	1		MC 30 CP
13	168487	Clamp		1		MC 30 CP
14	168706	Screw		1		MC 30 CP

OPTIONS - ACCESSORIES

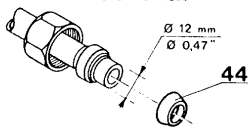
10 A 466

1er MONTAGE
1ste MONTAGE
1ro MONTAJE
1st MOUNTING

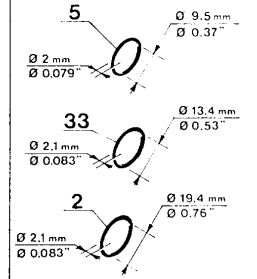
KIT HYDRAULIQUE ACCESSOIRE DROIT (Double effet)
RECHT KIT ZUBEHOR HYDRAULIK (Doppeltwirkend)
KIT HIDRAULICO ACCESORIO DERECHO (Doble efecto)
R.H. ACCESSORIE HYDRAULIC KIT (Double-acting)

M2 26 CP
M2 30 CP
M4 26 CP
M4 30 CP

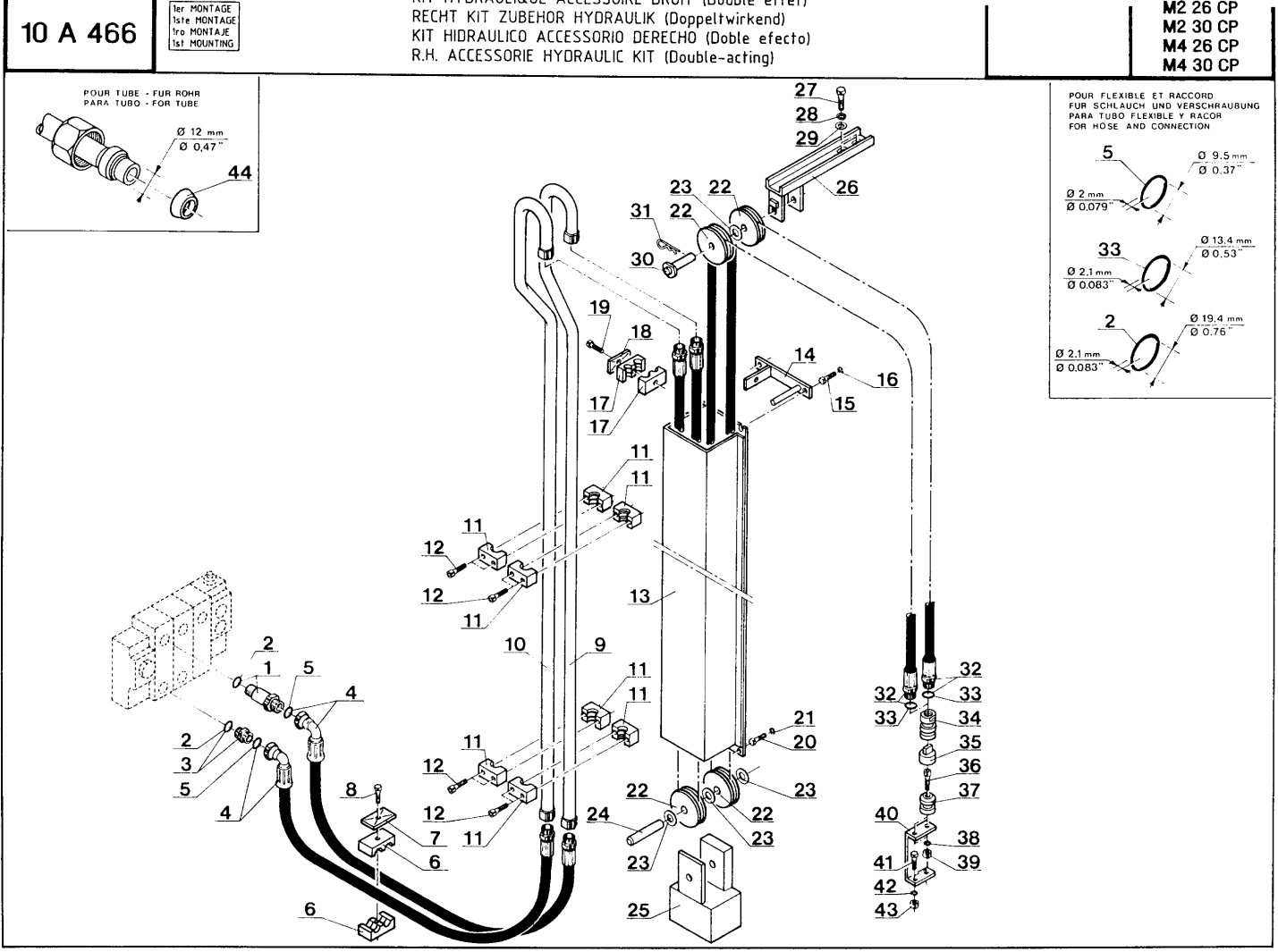
POUR TUBE - FÜR ROHR
PARA TUBO - FOR TUBE



POUR FLEXIBLE ET RACCORD
FÜR SCHLAUCH UND VERSCHRAUBUNG
PARA TUBO FLEXIBLE Y RACOR
FOR HOSE AND CONNECTION



11
J7



Item	Part No.	Name	Characteristics	Qty	Superseded PartNumber	Machine applicability
Not Shown	570333OPT	NO LONGER AVAILABLE		1	468685, 468383	M4 26 CP, M2 30 CP, M2 26 CP, M4 30 CP, MC 30 CP
Not Shown	570333OPT	NO LONGER AVAILABLE		1	468685, 468383	M4 26 CP, M2 30 CP, M2 26 CP, M4 30 CP, MC 30 CP
Not Shown	182214	In attesa di creazione		1		M4 26 CP, M2 30 CP, M2 26 CP, M4 30 CP, MC 30 CP
1	168906	Extension union		1		M4 26 CP, M2 30 CP, M2 26 CP, M4 30 CP, MC 30 CP
2	169373	O ring		1		M4 26 CP, M2 30 CP, M2 26 CP, M4 30 CP, MC 30 CP
3	173038	Union		1		M4 26 CP, M2 30 CP, M2 26 CP, M4 30 CP, MC 30 CP
4	211715	Hose.H2S 8FC12S 90MC12S L 900		1		M4 26 CP, M2 30 CP, M2 26 CP, M4 30 CP, MC 30 CP
5	169434	"0" ring		1	213859	M4 26 CP, M2 30 CP, M2 26 CP, M4 30 CP, MC 30 CP
6	168863	Half clamp		1		M4 26 CP, M2 30 CP, M2 26 CP, M4 30 CP, MC 30 CP
7	168494	Protection plate		1		M4 26 CP, M2 30 CP, M2 26 CP, M4 30 CP, MC 30 CP
8	6224	Screw	HM8	1		M4 26 CP, M2 30 CP, M2 26 CP, M4 30 CP, MC 30 CP
9	181336	Tube		1		M4 26 CP, M2 30 CP, M2 26 CP, M4 30 CP, MC 30 CP
10	181338	Tube		1		M4 26 CP, M2 30 CP, M2 26 CP, M4 30 CP, MC 30 CP
11	168746	HALF CLAMP		1		M4 26 CP, M2 30 CP, M2 26 CP, M4 30 CP, MC 30 CP
12	7242	Screw	M6	1		M4 26 CP, M2 30 CP, M2 26 CP, M4 30 CP, MC 30 CP
13	182328	Compartment		1		M4 26 CP, M2 30 CP, M2 26 CP, M4 30 CP, MC 30 CP
14	181327	Fastening plate		1		M4 26 CP, M2 30 CP, M2 26 CP, M4 30 CP, MC 30 CP
15	63754	Screw	HM8	1		M4 26 CP, M2 30 CP, M2 26 CP, M4 30 CP, MC 30 CP
16	42325	Washer		1		M4 26 CP, M2 30 CP, M2 26 CP, M4 30 CP, MC 30 CP
17	58528	Nut	M8	1		M4 26 CP, M2 30 CP, M2 26 CP, M4 30 CP, MC 30 CP
18	168863	Half clamp		1		M4 26 CP, M2 30 CP, M2 26 CP, M4 30 CP, MC 30 CP
19	168494	Protection plate		1		M4 26 CP, M2 30 CP, M2 26 CP, M4 30 CP, MC 30 CP
20	6224	Screw	HM8	1		M4 26 CP, M2 30 CP, M2 26 CP, M4 30 CP, MC 30 CP
21	182211	Pulley		1		M4 26 CP, M2 30 CP, M2 26 CP, M4 30 CP, MC 30 CP
22	182320	Pulley axle		1		M4 26 CP, M2 30 CP, M2 26 CP, M4 30 CP, MC 30 CP
23	182210	Counterweight		1		M4 26 CP, M2 30 CP, M2 26 CP, M4 30 CP, MC 30 CP

Item	Part No.	Name	Characteristics	Qty	Superseded PartNumber	Machine applicability
Not Shown	468669	COMPLETE MAST		1	468381	M4 26 CP, M2 30 CP, M2 26 CP, M4 30 CP, MC 30 CP
Not Shown	181310	3rd ELEMENT ATTACHMENT HYDRAULIC KIT (Double-acting)		1		M4 26 CP, M2 30 CP, M2 26 CP, M4 30 CP, MC 30 CP
Not Shown	468670	NO LONGER AVAILABLE		1		M4 26 CP, M2 30 CP, M2 26 CP, M4 30 CP, MC 30 CP
Not Shown	468669	COMPLETE MAST		1	468381	M4 26 CP, M2 30 CP, M2 26 CP, M4 30 CP, MC 30 CP
Not Shown	570336	Triple mast		1		M4 26 CP, M2 30 CP, M2 26 CP, M4 30 CP, MC 30 CP
1	168906	Extension union		1		M4 26 CP, M2 30 CP, M2 26 CP, M4 30 CP, MC 30 CP
2	169373	O ring		1		M4 26 CP, M2 30 CP, M2 26 CP, M4 30 CP, MC 30 CP
3	173038	Union		1		M4 26 CP, M2 30 CP, M2 26 CP, M4 30 CP, MC 30 CP
4	211715	Hose.H2S 8FC12S 90MC12S L 900		1		M4 26 CP, M2 30 CP, M2 26 CP, M4 30 CP, MC 30 CP
5	169434	"0" ring		1	213859	M4 26 CP, M2 30 CP, M2 26 CP, M4 30 CP, MC 30 CP
6	168863	Half clamp		1		M4 26 CP, M2 30 CP, M2 26 CP, M4 30 CP, MC 30 CP
7	168494	Protection plate		1		M4 26 CP, M2 30 CP, M2 26 CP, M4 30 CP, MC 30 CP
8	6224	Screw	HM8	1		M4 26 CP, M2 30 CP, M2 26 CP, M4 30 CP, MC 30 CP
9	176361	Tube		1		M4 26 CP, M2 30 CP, M2 26 CP, M4 30 CP, MC 30 CP
10	176359	Tube		1		M4 26 CP, M2 30 CP, M2 26 CP, M4 30 CP, MC 30 CP
11	168844	Half clamp		1		M4 26 CP, M2 30 CP, M2 26 CP, M4 30 CP, MC 30 CP
12	168848	Mounting plate		1		M4 26 CP, M2 30 CP, M2 26 CP, M4 30 CP, MC 30 CP
13	7242	Screw	M6	1		M4 26 CP, M2 30 CP, M2 26 CP, M4 30 CP, MC 30 CP
14	170385	Union		1		M4 26 CP, M2 30 CP, M2 26 CP, M4 30 CP, MC 30 CP
16	58535	Screw	HM10	1		M4 26 CP, M2 30 CP, M2 26 CP, M4 30 CP, MC 30 CP
17	42232	null		1		M4 26 CP, M2 30 CP, M2 26 CP, M4 30 CP, MC 30 CP
18	56354	Nut	M10	1		M4 26 CP, M2 30 CP, M2 26 CP, M4 30 CP, MC 30 CP
20	160992	LUG		1		M4 26 CP, M2 30 CP, M2 26 CP, M4 30 CP, MC 30 CP
21	5804	null	HM10	1		M4 26 CP, M2 30 CP, M2 26 CP, M4 30 CP, MC 30 CP
22	42232	null		1		M4 26 CP, M2 30 CP, M2 26 CP, M4 30 CP, MC 30 CP
23	56354	Nut	M10	1		M4 26 CP, M2 30 CP, M2 26 CP, M4 30 CP, MC 30 CP

Item	Part No.	Name	Characteristics	Qty	Superseded PartNumber	Machine applicability
27	9784	Pin		1		MC 50 CP, MCE 40 CP, M4 50 CP, M4 40 CP, MC 40 CP
28	185435	Hose	H2S13MC16S MI16X150L4200	1		MC 50 CP, MCE 40 CP, M4 50 CP, M4 40 CP, MC 40 CP
29	169345	Quick female union		1		MC 50 CP, MCE 40 CP, M4 50 CP, M4 40 CP, MC 40 CP
30	53310	Plug		1		MC 50 CP, MCE 40 CP, M4 50 CP, M4 40 CP, MC 40 CP
31	73208	Screw	M8	1		MC 50 CP, MCE 40 CP, M4 50 CP, M4 40 CP, MC 40 CP
32	53309	Plug		1		MC 50 CP, MCE 40 CP, M4 50 CP, M4 40 CP, MC 40 CP
33	42325	Washer		1		MC 50 CP, MCE 40 CP, M4 50 CP, M4 40 CP, MC 40 CP
34	58528	Nut	M8	1		MC 50 CP, MCE 40 CP, M4 50 CP, M4 40 CP, MC 40 CP
35	165409	Connection bracket		1		MC 50 CP, MCE 40 CP, M4 50 CP, M4 40 CP, MC 40 CP
36	57446	Screw	HM8	1		MC 50 CP, MCE 40 CP, M4 50 CP, M4 40 CP, MC 40 CP
37	42325	Washer		1		MC 50 CP, MCE 40 CP, M4 50 CP, M4 40 CP, MC 40 CP
38	58528	Nut	M8	1		MC 50 CP, MCE 40 CP, M4 50 CP, M4 40 CP, MC 40 CP
39	169438	Seal		1		MC 50 CP, MCE 40 CP, M4 50 CP, M4 40 CP, MC 40 CP
40	145047	Plate	40X 6 L 262 S235JR	1		MC 50 CP, MCE 40 CP, M4 50 CP, M4 40 CP, MC 40 CP
41	163757	PLATE		1		MC 50 CP, MCE 40 CP, M4 50 CP, M4 40 CP, MC 40 CP
42	182231	Bracket		1		MC 50 CP, MCE 40 CP, M4 50 CP, M4 40 CP, MC 40 CP
43	24439	Plate	2T 40X15L 100- 25M12 E 50	1		MC 50 CP, MCE 40 CP, M4 50 CP, M4 40 CP, MC 40 CP
44	54930	PLATE		1		MC 50 CP, MCE 40 CP, M4 50 CP, M4 40 CP, MC 40 CP

Item	Part No.	Name	Characteristics	Qty	Superseded PartNumber	Machine applicability
Not Shown	469558	NO LONGER AVAILABLE		1		MCE 40 CP, M4 40 CP, MC 40 CP
Not Shown	469559	NO LONGER AVAILABLE		1		MCE 40 CP, M4 40 CP, MC 40 CP
Not Shown	469560	NO LONGER AVAILABLE		1		MCE 40 CP, M4 40 CP, MC 40 CP
Not Shown	469561	COMPLETE MAST		1		MCE 40 CP, M4 40 CP, MC 40 CP
Not Shown	197104	NO LONGER AVAILABLE		1		MCE 40 CP, M4 40 CP, MC 40 CP
Not Shown	197103	In attesa di creazione		1		MCE 40 CP, M4 40 CP, MC 40 CP
Not Shown	197099	In attesa di creazione		1		MCE 40 CP, M4 40 CP, MC 40 CP
Not Shown	197100	In attesa di creazione		1		MCE 40 CP, M4 40 CP, MC 40 CP
Not Shown	197101	3rd ELEMENT ATTACHMENT HYDRAULIC KIT (Double-acting)		1		MCE 40 CP, M4 40 CP, MC 40 CP
Not Shown	469562	COMPLETE MAST		1		MCE 40 CP, M4 40 CP, MC 40 CP
Not Shown	469563	COMPLETE MAST		1		MCE 40 CP, M4 40 CP, MC 40 CP
Not Shown	555158	In attesa di creazione		1		MCE 40 CP, M4 40 CP, MC 40 CP
Not Shown	555159	In attesa di creazione		1		MCE 40 CP, M4 40 CP, MC 40 CP
Not Shown	555160	In attesa di creazione		1		MCE 40 CP, M4 40 CP, MC 40 CP
Not Shown	555157	In attesa di creazione		1		MCE 40 CP, M4 40 CP, MC 40 CP
Not Shown	555156	In attesa di creazione		1		MCE 40 CP, M4 40 CP, MC 40 CP
Not Shown	469564	NO LONGER AVAILABLE		1		MCE 40 CP, M4 40 CP, MC 40 CP
Not Shown	555154	In attesa di creazione		1		MCE 40 CP, M4 40 CP, MC 40 CP
Not Shown	555155	In attesa di creazione		1		MCE 40 CP, M4 40 CP, MC 40 CP
Not Shown	197098	In attesa di creazione		1		MCE 40 CP, M4 40 CP, MC 40 CP
Not Shown	197102	In attesa di creazione		1		MCE 40 CP, M4 40 CP, MC 40 CP
1	167925	Union		1		MCE 40 CP, M4 40 CP, MC 40 CP
2	169373	O ring		1		MCE 40 CP, M4 40 CP, MC 40 CP
3	193809	Hose	L1430	1		MCE 40 CP, M4 40 CP, MC 40 CP
4	189956	null		1		MCE 40 CP, M4 40 CP, MC 40 CP
5	174548	Pipe Fitting		1		MCE 40 CP, M4 40 CP, MC 40 CP
6	181112	Hose	L950mm	1		MCE 40 CP, M4 40 CP, MC 40 CP
7	168853	Mounting plate		1		MCE 40 CP, M4 40 CP, MC 40 CP
8	168865	Half clamp		1		MCE 40 CP, M4 40 CP, MC 40 CP
9	5324	Screw	M8	1		MCE 40 CP, M4 40 CP, MC 40 CP
9	35220	Screw	M8	1		MCE 40 CP, M4 40 CP, MC 40 CP
10	194808	Mast hydraulic tube	H4500	1		MCE 40 CP, M4 40 CP, MC 40 CP
10	194805	Mast hydraulic tube	H3500	1		MCE 40 CP, M4 40 CP, MC 40 CP
10	194806	Mast hydraulic tube	H3700	1		MCE 40 CP, M4 40 CP, MC 40 CP
10	194804	Mast hydraulic tube	H3300	1		MCE 40 CP, M4 40 CP, MC 40 CP
10	194807	Mast hydraulic tube	H4000	1		MCE 40 CP, M4 40 CP, MC 40 CP
10	194809	Mast hydraulic tube	H5000	1		MCE 40 CP, M4 40 CP, MC 40 CP

Item	Part No.	Name	Characteristics	Qty	Superseded PartNumber	Machine applicability
41	42325	Washer		1		MCE 40 CP, M4 40 CP, MC 40 CP
42	169438	Seal		1		MCE 40 CP, M4 40 CP, MC 40 CP
43	207718	Hose	H2S13FC16S 90MC16S L 850	1		MCE 40 CP, M4 40 CP, MC 40 CP

Item	Part No.	Name	Characteristics	Qty	Superseded PartNumber	Machine applicability
12	196336	Tube		1		MC 50 CP, MCE 40 CP, M4 50 CP, M4 40 CP, MC 40 CP
12	196340	Tube		1		MC 50 CP, MCE 40 CP, M4 50 CP, M4 40 CP, MC 40 CP
12	196334	Tube		1		MC 50 CP, MCE 40 CP, M4 50 CP, M4 40 CP, MC 40 CP
12	196332	Tube		1		MC 50 CP, MCE 40 CP, M4 50 CP, M4 40 CP, MC 40 CP
12	196330	Tube		1		MC 50 CP, MCE 40 CP, M4 50 CP, M4 40 CP, MC 40 CP
12	196342	Tube		1		MC 50 CP, MCE 40 CP, M4 50 CP, M4 40 CP, MC 40 CP
12	196338	Tube		1		MC 50 CP, MCE 40 CP, M4 50 CP, M4 40 CP, MC 40 CP
13	196354	Tube		1		MC 50 CP, MCE 40 CP, M4 50 CP, M4 40 CP, MC 40 CP
13	196356	Tube		1		MC 50 CP, MCE 40 CP, M4 50 CP, M4 40 CP, MC 40 CP
13	196346	Tube		1		MC 50 CP, MCE 40 CP, M4 50 CP, M4 40 CP, MC 40 CP
13	196352	Tube		1		MC 50 CP, MCE 40 CP, M4 50 CP, M4 40 CP, MC 40 CP
13	196358	Tube		1		MC 50 CP, MCE 40 CP, M4 50 CP, M4 40 CP, MC 40 CP
13	196360	Tube		1		MC 50 CP, MCE 40 CP, M4 50 CP, M4 40 CP, MC 40 CP
13	196348	Tube		1		MC 50 CP, MCE 40 CP, M4 50 CP, M4 40 CP, MC 40 CP
13	196350	Tube		1		MC 50 CP, MCE 40 CP, M4 50 CP, M4 40 CP, MC 40 CP
14	168758	Half clamp		1		MC 50 CP, MCE 40 CP, M4 50 CP, M4 40 CP, MC 40 CP
15	168494	Protection plate		1		MC 50 CP, MCE 40 CP, M4 50 CP, M4 40 CP, MC 40 CP
16	6224	Screw	HM8	1		MC 50 CP, MCE 40 CP, M4 50 CP, M4 40 CP, MC 40 CP
17	168850	Clamp		1		MC 50 CP, MCE 40 CP, M4 50 CP, M4 40 CP, MC 40 CP
18	168490	Protection plate		1		MC 50 CP, MCE 40 CP, M4 50 CP, M4 40 CP, MC 40 CP
19	58526	Screw	HM6	1		MC 50 CP, MCE 40 CP, M4 50 CP, M4 40 CP, MC 40 CP
20	195668	BRACKET		1		MC 50 CP, MCE 40 CP, M4 50 CP, M4 40 CP, MC 40 CP
21	63754	Screw	HM8	1		MC 50 CP, MCE 40 CP, M4 50 CP, M4 40 CP, MC 40 CP
22	42325	Washer		1		MC 50 CP, MCE 40 CP, M4 50 CP, M4 40 CP, MC 40 CP
23	203706	Hose	Lg 2110	1		MC 50 CP, MCE 40 CP, M4 50 CP, M4 40 CP, MC 40 CP
23	206273	Hose	L2435, Lg 2435	1		MC 50 CP, MCE 40 CP, M4 50 CP, M4 40 CP, MC 40 CP

Image does not exist

Item	Part No.	Name	Characteristics	Qty	Superseded PartNumber	Machine applicability
Not Shown	570231	Complete double mast	3,00m	1		M4 26 CP, M2 30 CP, M2 26 CP, M4 30 CP, MC 30 CP
Not Shown	570233	Complete double mast	4,00m	1		M4 26 CP, M2 30 CP, M2 26 CP, M4 30 CP, MC 30 CP
Not Shown	181300	Complete attachment hydraulic kit (mast 3,00 m)		1		M4 26 CP, M2 30 CP, M2 26 CP, M4 30 CP, MC 30 CP
Not Shown	181301	Complete attachment hydraulic kit (mast 3,60 m)		1		M4 26 CP, M2 30 CP, M2 26 CP, M4 30 CP, MC 30 CP
Not Shown	181303	Complete attachment hydraulic kit (mast 4,50 m)		1		M4 26 CP, M2 30 CP, M2 26 CP, M4 30 CP, MC 30 CP
Not Shown	181302	Complete attachment hydraulic kit (mast 4,00 m)		1		M4 26 CP, M2 30 CP, M2 26 CP, M4 30 CP, MC 30 CP
Not Shown	570234	Complete double mast	4,50m	1		M4 26 CP, M2 30 CP, M2 26 CP, M4 30 CP, MC 30 CP
Not Shown	468374	COMPLETE MAST		1		M4 26 CP, M2 30 CP, M2 26 CP, M4 30 CP, MC 30 CP
Not Shown	468378	COMPLETE MAST		1		M4 26 CP, M2 30 CP, M2 26 CP, M4 30 CP, MC 30 CP
Not Shown	570235	Complete double mast	3,00m	1		M4 26 CP, M2 30 CP, M2 26 CP, M4 30 CP, MC 30 CP
Not Shown	570237	Complete double mast	4,00m	1		M4 26 CP, M2 30 CP, M2 26 CP, M4 30 CP, MC 30 CP
Not Shown	468380	COMPLETE MAST		1		M4 26 CP, M2 30 CP, M2 26 CP, M4 30 CP, MC 30 CP
1	173038	Union		1		M4 26 CP, M2 30 CP, M2 26 CP, M4 30 CP, MC 30 CP
2	169373	O ring		1		M4 26 CP, M2 30 CP, M2 26 CP, M4 30 CP, MC 30 CP
3	182011	Hose		1		M4 26 CP, M2 30 CP, M2 26 CP, M4 30 CP, MC 30 CP
4	190874	O ring		1		M4 26 CP, M2 30 CP, M2 26 CP, M4 30 CP, MC 30 CP
5	168906	Extension union		1		M4 26 CP, M2 30 CP, M2 26 CP, M4 30 CP, MC 30 CP
6	182012	Hose	L1600	1		M4 26 CP, M2 30 CP, M2 26 CP, M4 30 CP, MC 30 CP
7	168863	Half clamp		1		M4 26 CP, M2 30 CP, M2 26 CP, M4 30 CP, MC 30 CP
8	168494	Protection plate		1		M4 26 CP, M2 30 CP, M2 26 CP, M4 30 CP, MC 30 CP
9	6224	Screw	HM8	1		M4 26 CP, M2 30 CP, M2 26 CP, M4 30 CP, MC 30 CP
10	181466	Tube		1		M4 26 CP, M2 30 CP, M2 26 CP, M4 30 CP, MC 30 CP
10	181470	Tube		1		M4 26 CP, M2 30 CP, M2 26 CP, M4 30 CP, MC 30 CP
10	181462	Tube		1		M4 26 CP, M2 30 CP, M2 26 CP, M4 30 CP, MC 30 CP
10	181458	Tube		1		M4 26 CP, M2 30 CP, M2 26 CP, M4 30 CP, MC 30 CP

Image does not exist

KIT HYDRAULIQUE ACCESSOIRE DROIT ET GAUCHE (Avec enrouleur)
 RECHT UND LINK KIT ZUBEHÖR HYDRAULIK (Mit spulerin)
 KIT HIDRAULICO ACCESORIO DERECHO Y IZQUIERDO (Con enrollador)
 R.H. AND L.H. ATTACHMENT HYDRAULIC KIT (With hose reel)

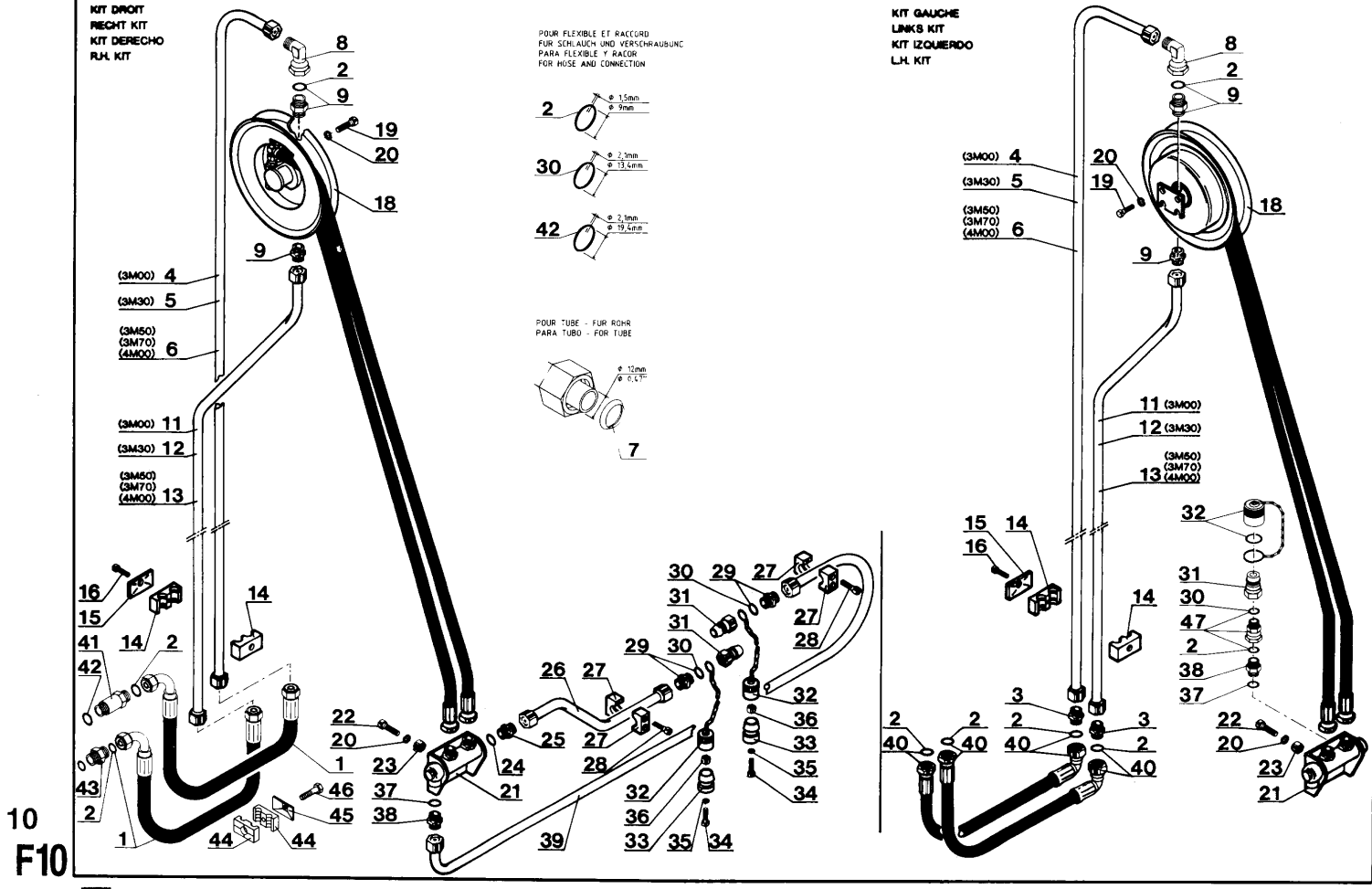
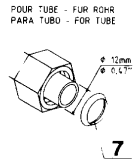
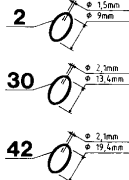
10 AD 23

MC 30 CP

KIT DROIT
RECHT KIT
KIT DERECHO
R.H. KIT

KIT GAUCHE
LINKS KIT
KIT IZQUIERDO
L.H. KIT

POUR FLEXIBLE ET RACCORD
 FÜR SCHLAUCH UND VERSCHRAUBUNG
 PARA FLEXIBLE Y RACOR
 FOR HOSE AND CONNECTION



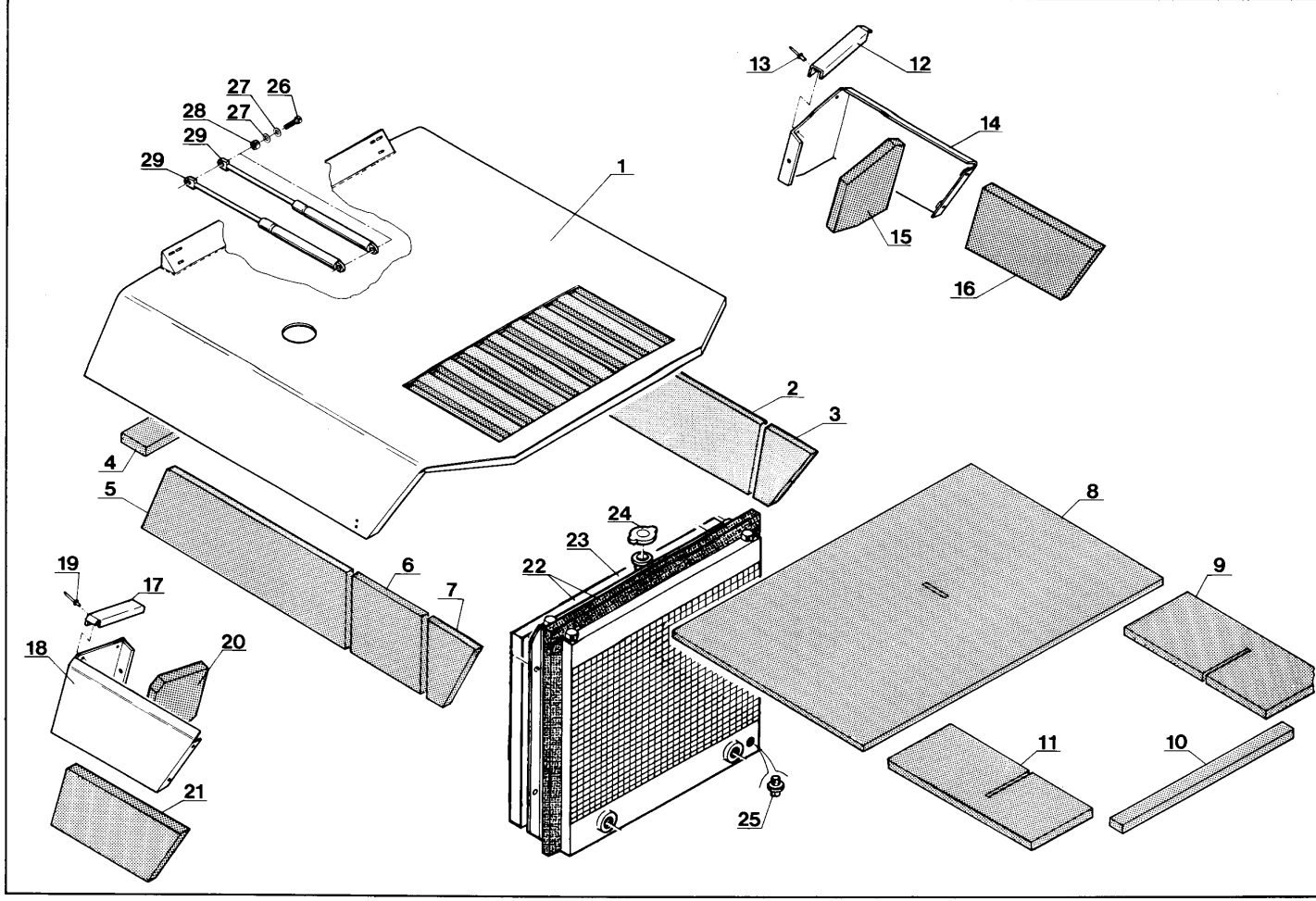
10 F10

Item	Part No.	Name	Characteristics	Qty	Superseded PartNumber	Machine applicability
10	198443	Bleeder screw		1		MC 50 CP, MCE 40 CP, M4 50 CP, M4 40 CP, MC 40 CP
11	179957	Watertight seal		1		MC 50 CP, MCE 40 CP, M4 50 CP, M4 40 CP, MC 40 CP
12	197188	TO BE TRANSLATED		1		MC 50 CP, MCE 40 CP, M4 50 CP, M4 40 CP, MC 40 CP
13	198442	Seal		1		MC 50 CP, MCE 40 CP, M4 50 CP, M4 40 CP, MC 40 CP
14	491	Seal		1		MC 50 CP, MCE 40 CP, M4 50 CP, M4 40 CP, MC 40 CP
15	162659	Snap ring		1		MC 50 CP, MCE 40 CP, M4 50 CP, M4 40 CP, MC 40 CP
16	198446	Cylinder piston		1		MC 50 CP, MCE 40 CP, M4 50 CP, M4 40 CP, MC 40 CP
17	170987	Snap ring		1		MC 50 CP, MCE 40 CP, M4 50 CP, M4 40 CP, MC 40 CP
18	198447	Seal kit		1		MC 50 CP, MCE 40 CP, M4 50 CP, M4 40 CP, MC 40 CP
19	198445	Seal		1		MC 50 CP, MCE 40 CP, M4 50 CP, M4 40 CP, MC 40 CP

9 A 103

CARROSSERIE INSONORISEE
LÄRMGESICHERT KAROSSERIE
CARROCERIA INSONORIZADA
SOUND PROOF BODY

MC 60 CP



9
K4



Item	Part No.	Name	Characteristics	Qty	Superseded PartNumber	Machine applicability
1	182821	DRIVER'S OVERHEAD GUARD		1		MC 30 CP
2	186368	DRIVER'S OVERHEAD GUARD		1		MC 30 CP
3	181107	Roof viewing port		1		MC 30 CP
4	182038	Seal		1		MC 30 CP
5	77660	Bracket		1		MC 30 CP
6	77663	Pin		1		MC 30 CP
7	61698	PIN		1		MC 30 CP
8	77520	Shock absorber		1		MC 30 CP
9	42347	Screw	HM8	1		MC 30 CP
10	42325	Washer		1		MC 30 CP
11	61674	null	M8	1		MC 30 CP
12	77661	Tube		1		MC 30 CP
13	77664	Washer		1		MC 30 CP
14	5818	Screw	HM12	1		MC 30 CP
15	183722	Cab bracket		1	78377	MC 30 CP
16	77520	Shock absorber		1		MC 30 CP
17	42347	Screw	HM8	1		MC 30 CP
18	42325	Washer		1		MC 30 CP
19	61674	null	M8	1		MC 30 CP
20	77661	Tube		1		MC 30 CP
21	77664	Washer		1		MC 30 CP
22	175924	Screw	H,M12- 65-8.8-ZN8/C	1		MC 30 CP
23	63547	Screw	HM12	1		MC 30 CP
24	77664	Washer		1		MC 30 CP
25	74393	Plug		1		MC 30 CP
26	189441	Plug		1	176740	MC 30 CP
27	78194	Cap		1		MC 30 CP
28	189400	COVER		1		MC 30 CP
29	50896	Screw	HM6	1		MC 30 CP
30	42316	Washer		1		MC 30 CP
31	77752	Fastening plate		1		MC 30 CP
32	503838	screw		1	171774	MC 30 CP
33	28988	Washer	M4	1		MC 30 CP
34	77722	FASTENING PLATE		1		MC 30 CP
35	50896	Screw	HM6	1		MC 30 CP
36	42316	Washer		1		MC 30 CP
37	191613	Steering wheel		1		MC 30 CP

Item	Part No.	Name	Characteristics	Qty	Superseded PartNumber	Machine applicability
41	198244	Screw		1		MCE 40 CP, M2 26 CP UK, M4 26 CP, M4 50 CP, M4 30 CP UK, M2 30 CP, M2 30 CP UK, M2 26 CP, M4 30 CP, MC 40 CP, MC 60 CP, MC 50 CP, M4 40 CP, MC 30 CP, M4 26 CP UK
42	77723	Front sheat		1		MCE 40 CP, M2 26 CP UK, M4 26 CP, M4 50 CP, M4 30 CP UK, M2 30 CP, M2 30 CP UK, M2 26 CP, M4 30 CP, MC 40 CP, MC 60 CP, MC 50 CP, M4 40 CP, MC 30 CP, M4 26 CP UK
43	54951	Screw	HM8	1		MCE 40 CP, M2 26 CP UK, M4 26 CP, M4 50 CP, M4 30 CP UK, M2 30 CP, M2 30 CP UK, M2 26 CP, M4 30 CP, MC 40 CP, MC 60 CP, MC 50 CP, M4 40 CP, MC 30 CP, M4 26 CP UK
44	63351	Washer	M8	1		MCE 40 CP, M2 26 CP UK, M4 26 CP, M4 50 CP, M4 30 CP UK, M2 30 CP, M2 30 CP UK, M2 26 CP, M4 30 CP, MC 40 CP, MC 60 CP, MC 50 CP, M4 40 CP, MC 30 CP, M4 26 CP UK
45	55940	Screw	M8	1		MCE 40 CP, M2 26 CP UK, M4 26 CP, M4 50 CP, M4 30 CP UK, M2 30 CP, M2 30 CP UK, M2 26 CP, M4 30 CP, MC 40 CP, MC 60 CP, MC 50 CP, M4 40 CP, MC 30 CP, M4 26 CP UK
46	42325	Washer		1		MCE 40 CP, M2 26 CP UK, M4 26 CP, M4 50 CP, M4 30 CP UK, M2 30 CP, M2 30 CP UK, M2 26 CP, M4 30 CP, MC 40 CP, MC 60 CP, MC 50 CP, M4 40 CP, MC 30 CP, M4 26 CP UK
47	78511	BRACKET		1		MCE 40 CP, M2 26 CP UK, M4 26 CP, M4 50 CP, M4 30 CP UK, M2 30 CP, M2 30 CP UK, M2 26 CP, M4 30 CP, MC 40 CP, MC 60 CP, MC 50 CP, M4 40 CP, MC 30 CP, M4 26 CP UK
48	78510	BRACKET		1		MCE 40 CP, M2 26 CP UK, M4 26 CP, M4 50 CP, M4 30 CP UK, M2 30 CP, M2 30 CP UK, M2 26 CP, M4 30 CP, MC 40 CP, MC 60 CP, MC 50 CP, M4 40 CP, MC 30 CP, M4 26 CP UK
49	54951	Screw	HM8	1		MCE 40 CP, M2 26 CP UK, M4 26 CP, M4 50 CP, M4 30 CP UK, M2 30 CP, M2 30 CP UK, M2 26 CP, M4 30 CP, MC 40 CP, MC 60 CP, MC 50 CP, M4 40 CP, MC 30 CP, M4 26 CP UK
50	63351	Washer	M8	1		MCE 40 CP, M2 26 CP UK, M4 26 CP, M4 50 CP, M4 30 CP UK, M2 30 CP, M2 30 CP UK, M2 26 CP, M4 30 CP, MC 40 CP, MC 60 CP, MC 50 CP, M4 40 CP, MC 30 CP, M4 26 CP UK
51	6224	Screw	HM8	1		MCE 40 CP, M2 26 CP UK, M4 26 CP, M4 50 CP, M4 30 CP UK, M2 30 CP, M2 30 CP UK, M2 26 CP, M4 30 CP, MC 40 CP, MC 60 CP, MC 50 CP, M4 40 CP, MC 30 CP, M4 26 CP UK
52	63351	Washer	M8	1		MCE 40 CP, M2 26 CP UK, M4 26 CP, M4 50 CP, M4 30 CP UK, M2 30 CP, M2 30 CP UK, M2 26 CP, M4 30 CP, MC 40 CP, MC 60 CP, MC 50 CP, M4 40 CP, MC 30 CP, M4 26 CP UK
53	58528	Nut	M8	1		MCE 40 CP, M2 26 CP UK, M4 26 CP, M4 50 CP, M4 30 CP UK, M2 30 CP, M2 30 CP UK, M2 26 CP, M4 30 CP, MC 40 CP, MC 60 CP, MC 50 CP, M4 40 CP, MC 30 CP, M4 26 CP UK

Item	Part No.	Name	Characteristics	Qty	Superseded PartNumber	Machine applicability
37	189998	Carpet		1		MCE 40 CP, M2 26 CP UK, M4 26 CP, M4 50 CP, M4 30 CP UK, M2 30 CP, M2 30 CP UK, M2 26 CP, M4 30 CP, MC 40 CP, MC 60 CP, MC 50 CP, M4 40 CP, MC 30 CP, M4 26 CP UK
38	189999	Carpet		1		MCE 40 CP, M2 26 CP UK, M4 26 CP, M4 50 CP, M4 30 CP UK, M2 30 CP, M2 30 CP UK, M2 26 CP, M4 30 CP, MC 40 CP, MC 60 CP, MC 50 CP, M4 40 CP, MC 30 CP, M4 26 CP UK
39	78671	FASTENING PLATE		1		MCE 40 CP, M2 26 CP UK, M4 26 CP, M4 50 CP, M4 30 CP UK, M2 30 CP, M2 30 CP UK, M2 26 CP, M4 30 CP, MC 40 CP, MC 60 CP, MC 50 CP, M4 40 CP, MC 30 CP, M4 26 CP UK
40	25713	Screw	HM6	1		MCE 40 CP, M2 26 CP UK, M4 26 CP, M4 50 CP, M4 30 CP UK, M2 30 CP, M2 30 CP UK, M2 26 CP, M4 30 CP, MC 40 CP, MC 60 CP, MC 50 CP, M4 40 CP, MC 30 CP, M4 26 CP UK
41	29469	Washer	M6	1		MCE 40 CP, M2 26 CP UK, M4 26 CP, M4 50 CP, M4 30 CP UK, M2 30 CP, M2 30 CP UK, M2 26 CP, M4 30 CP, MC 40 CP, MC 60 CP, MC 50 CP, M4 40 CP, MC 30 CP, M4 26 CP UK
42	77723	Front sheat		1		MCE 40 CP, M2 26 CP UK, M4 26 CP, M4 50 CP, M4 30 CP UK, M2 30 CP, M2 30 CP UK, M2 26 CP, M4 30 CP, MC 40 CP, MC 60 CP, MC 50 CP, M4 40 CP, MC 30 CP, M4 26 CP UK
43	54951	Screw	HM8	1		MCE 40 CP, M2 26 CP UK, M4 26 CP, M4 50 CP, M4 30 CP UK, M2 30 CP, M2 30 CP UK, M2 26 CP, M4 30 CP, MC 40 CP, MC 60 CP, MC 50 CP, M4 40 CP, MC 30 CP, M4 26 CP UK
44	63351	Washer	M8	1		MCE 40 CP, M2 26 CP UK, M4 26 CP, M4 50 CP, M4 30 CP UK, M2 30 CP, M2 30 CP UK, M2 26 CP, M4 30 CP, MC 40 CP, MC 60 CP, MC 50 CP, M4 40 CP, MC 30 CP, M4 26 CP UK
45	196186	NO LONGER AVAILABLE		1		MCE 40 CP, M2 26 CP UK, M4 26 CP, M4 50 CP, M4 30 CP UK, M2 30 CP, M2 30 CP UK, M2 26 CP, M4 30 CP, MC 40 CP, MC 60 CP, MC 50 CP, M4 40 CP, MC 30 CP, M4 26 CP UK
46	7111	Pin		1		MCE 40 CP, M2 26 CP UK, M4 26 CP, M4 50 CP, M4 30 CP UK, M2 30 CP, M2 30 CP UK, M2 26 CP, M4 30 CP, MC 40 CP, MC 60 CP, MC 50 CP, M4 40 CP, MC 30 CP, M4 26 CP UK
47	78548	Clip		1		MCE 40 CP, M2 26 CP UK, M4 26 CP, M4 50 CP, M4 30 CP UK, M2 30 CP, M2 30 CP UK, M2 26 CP, M4 30 CP, MC 40 CP, MC 60 CP, MC 50 CP, M4 40 CP, MC 30 CP, M4 26 CP UK
48	57771	Screw	M4	1		MCE 40 CP, M2 26 CP UK, M4 26 CP, M4 50 CP, M4 30 CP UK, M2 30 CP, M2 30 CP UK, M2 26 CP, M4 30 CP, MC 40 CP, MC 60 CP, MC 50 CP, M4 40 CP, MC 30 CP, M4 26 CP UK
49	43399	Washer	SP 6,5x30x2 ZN	1		MCE 40 CP, M2 26 CP UK, M4 26 CP, M4 50 CP, M4 30 CP UK, M2 30 CP, M2 30 CP UK, M2 26 CP, M4 30 CP, MC 40 CP, MC 60 CP, MC 50 CP, M4 40 CP, MC 30 CP, M4 26 CP UK

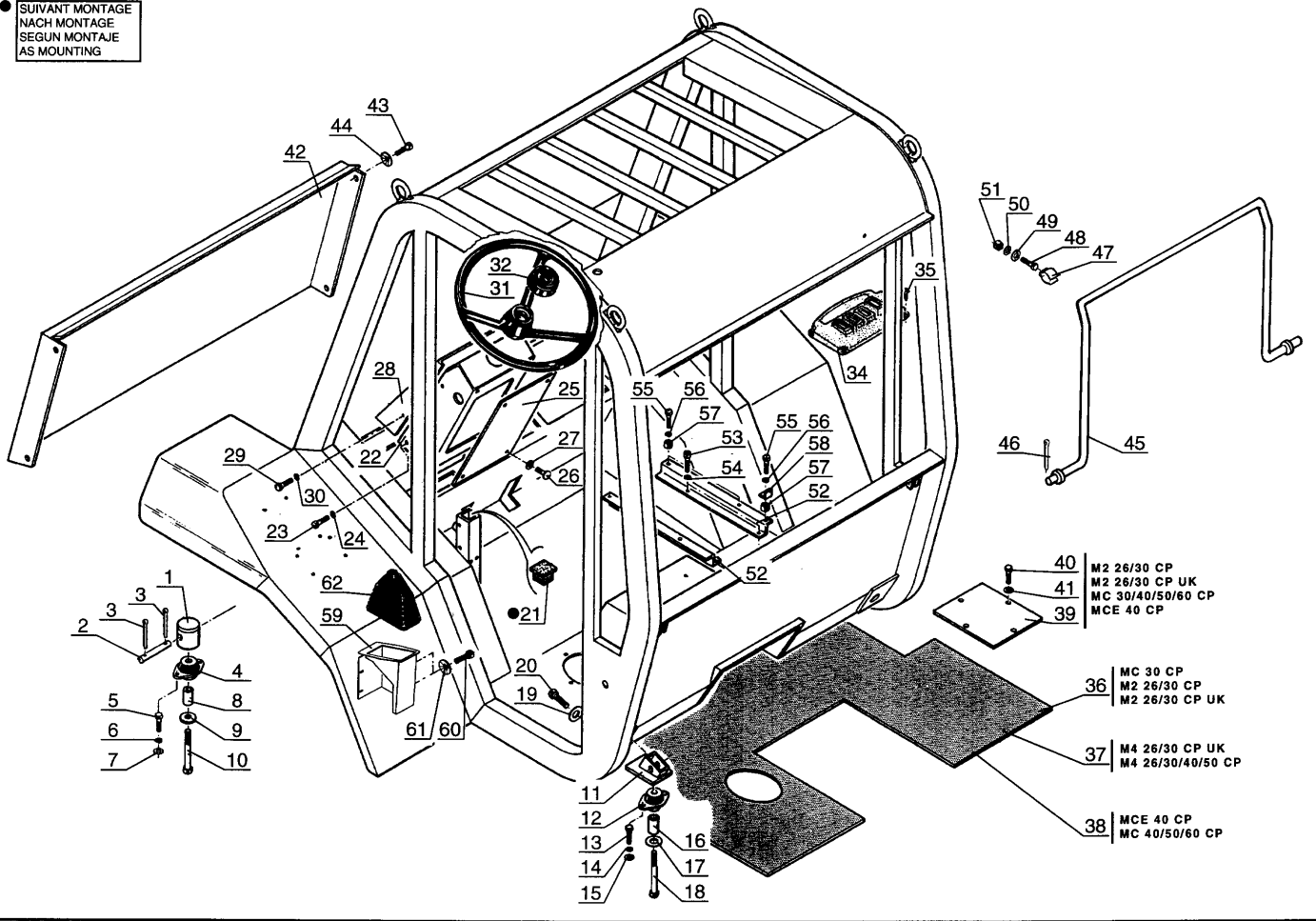
Image does not exist

8 A 358

POSTE DE CONDUITE (MCP 20)
FAHRERSTAND (MCP 20)
PUESTO DEL CONDUCTOR (MCP 20)
CAB STRUCTURE (MCP 20)

M2 26 CP UK	MC 30 CP	M2 26 CP
M2 30 CP UK	MC 40 CP	M2 30 CP
M4 26 CP UK	MC 50 CP	M4 26 CP
M4 30 CP UK	MC 60 CP	M4 30 CP
	MCE 40 CP	M4 40 CP
		M4 50 CP

● SUIVANT MONTAGE
NACH MONTAGE
SEGUN MONTAJE
AS MOUNTING



7
D14

Item	Part No.	Name	Characteristics	Qty	Superseded PartNumber	Machine applicability
38	26784	Complete coupling piece		1		MC 50 CP, MCE 40 CP, M4 50 CP, M4 40 CP, MC 40 CP
39	29271	Flange yoke		1		MC 50 CP, MCE 40 CP, M4 50 CP, M4 40 CP, MC 40 CP
40	29276	Cross piece		1		MC 50 CP, MCE 40 CP, M4 50 CP, M4 40 CP, MC 40 CP
41	76958	Screw	H,M 8-100-24/15-10.9-ZN8/C	1		MC 50 CP, MCE 40 CP, M4 50 CP, M4 40 CP, MC 40 CP
42	42325	Washer		1		MC 50 CP, MCE 40 CP, M4 50 CP, M4 40 CP, MC 40 CP
43	76960	Nut	H,M 8 ZN Pas 100	1		MC 50 CP, MCE 40 CP, M4 50 CP, M4 40 CP, MC 40 CP
44	170555	Coupling piece		1		MC 50 CP, MCE 40 CP, M4 50 CP, M4 40 CP, MC 40 CP
45	88059	Screw	H 7/16-32-UNF-8.8-ZN8/B	1		MC 50 CP, MCE 40 CP, M4 50 CP, M4 40 CP, MC 40 CP
46	73207	Washer	W7/16 ZN12C	1	133698, 134450	MC 50 CP, MCE 40 CP, M4 50 CP, M4 40 CP, MC 40 CP
47	27188	O ring		1		MC 50 CP, MCE 40 CP, M4 50 CP, M4 40 CP, MC 40 CP
48	51510	Screw	M10	1		MC 50 CP, MCE 40 CP, M4 50 CP, M4 40 CP, MC 40 CP
49	42232	null		1		MC 50 CP, MCE 40 CP, M4 50 CP, M4 40 CP, MC 40 CP
50	180616	Hose	H2S19BR1' 90FC25S 90L3500	1		MC 50 CP, MCE 40 CP, M4 50 CP, M4 40 CP, MC 40 CP
51	57496	O ring	21	1	170970, 480362, 400247, 40567	MC 50 CP, MCE 40 CP, M4 50 CP, M4 40 CP, MC 40 CP
52	168856	Half clamp		1		MC 50 CP, MCE 40 CP, M4 50 CP, M4 40 CP, MC 40 CP
53	168858	Protection plate		1		MC 50 CP, MCE 40 CP, M4 50 CP, M4 40 CP, MC 40 CP
54	60950	Screw	HM6	1		MC 50 CP, MCE 40 CP, M4 50 CP, M4 40 CP, MC 40 CP
55	168859	Half clamp		1		MC 50 CP, MCE 40 CP, M4 50 CP, M4 40 CP, MC 40 CP
56	168861	Protection plate		1		MC 50 CP, MCE 40 CP, M4 50 CP, M4 40 CP, MC 40 CP
57	58533	Screw	HM8	1		MC 50 CP, MCE 40 CP, M4 50 CP, M4 40 CP, MC 40 CP
58	174543	Union		1		MC 50 CP, MCE 40 CP, M4 50 CP, M4 40 CP, MC 40 CP
59	169373	O ring		1		MC 50 CP, MCE 40 CP, M4 50 CP, M4 40 CP, MC 40 CP
61	58536	Screw	HM10	1		MC 50 CP, MCE 40 CP, M4 50 CP, M4 40 CP, MC 40 CP
62	63544	Screw	HM10	1		MC 50 CP, MCE 40 CP, M4 50 CP, M4 40 CP, MC 40 CP
63	42232	null		1		MC 50 CP, MCE 40 CP, M4 50 CP, M4 40 CP, MC 40 CP
64	56354	Nut	M10	1		MC 50 CP, MCE 40 CP, M4 50 CP, M4 40 CP, MC 40 CP

Item	Part No.	Name	Characteristics	Qty	Superseded PartNumber	Machine applicability
83	78787	Hose	H 31.8 L 1950 SAE100R4	1	57592, 185709	MC 60 CP
84	176864	Notched union	33/MA33X200 OR	1		MC 60 CP
85	169374	O ring		1		MC 60 CP
87	54951	Screw	HM8	1		MC 60 CP
88	42325	Washer		1		MC 60 CP
89	21979	Clamp		1		MC 60 CP
90	175743	Plug		1		MC 60 CP
91	26784	Complete coupling piece		1		MC 60 CP
92	25608	Coupling hub		1		MC 60 CP
93	76960	Nut	H,M 8 ZN Pas 100	1		MC 60 CP
94	42325	Washer		1		MC 60 CP
95	76958	Screw	H,M 8-100-24/15-10.9-ZN8/C	1		MC 60 CP
96	29271	Flange yoke		1		MC 60 CP
97	29276	Cross piece		1		MC 60 CP
98	170555	Coupling piece		1		MC 60 CP

Item	Part No.	Name	Characteristics	Qty	Superseded PartNumber	Machine applicability
28	6224	Screw	HM8	1		M2 26 CP UK, M4 30 CP UK, M2 30 CP UK, M4 26 CP UK
29	42325	Washer		1		M2 26 CP UK, M4 30 CP UK, M2 30 CP UK, M4 26 CP UK
30	58528	Nut	M8	1		M2 26 CP UK, M4 30 CP UK, M2 30 CP UK, M4 26 CP UK
31	25608	Coupling hub		1		M2 26 CP UK, M4 30 CP UK, M2 30 CP UK, M4 26 CP UK
32	26784	Complete coupling piece		1		M2 26 CP UK, M4 30 CP UK, M2 30 CP UK, M4 26 CP UK
33	29271	Flange yoke		1		M2 26 CP UK, M4 30 CP UK, M2 30 CP UK, M4 26 CP UK
34	29276	Cross piece		1		M2 26 CP UK, M4 30 CP UK, M2 30 CP UK, M4 26 CP UK
35	76958	Screw	H,M 8-100-24/15-10.9-ZN8/C	1		M2 26 CP UK, M4 30 CP UK, M2 30 CP UK, M4 26 CP UK
36	42325	Washer		1		M2 26 CP UK, M4 30 CP UK, M2 30 CP UK, M4 26 CP UK
37	198239	Nut	H,FR,M 8X100-8-ZN8/C	1		M2 26 CP UK, M4 30 CP UK, M2 30 CP UK, M4 26 CP UK
38	170555	Coupling piece		1		M2 26 CP UK, M4 30 CP UK, M2 30 CP UK, M4 26 CP UK
39	88059	Screw	H 7/16-32-UNF-8.8-ZN8/B	1		M2 26 CP UK, M4 30 CP UK, M2 30 CP UK, M4 26 CP UK
40	85822	O ring		1		M2 26 CP UK, M4 30 CP UK, M2 30 CP UK, M4 26 CP UK
41	54825	Screw	CHc,3/8-25-UNC-8.8-ZN8/B	1		M2 26 CP UK, M4 30 CP UK, M2 30 CP UK, M4 26 CP UK
42	73193	Washer		1		M2 26 CP UK, M4 30 CP UK, M2 30 CP UK, M4 26 CP UK
43	180401	Hose	H2S16BR3/4"90FC 20S 90L3500	1		M2 26 CP UK, M4 30 CP UK, M2 30 CP UK, M4 26 CP UK
44	171444	"0" ring		1	314762200 071, 551280	M2 26 CP UK, M4 30 CP UK, M2 30 CP UK, M4 26 CP UK
45	168866	Collar		1		M2 26 CP UK, M4 30 CP UK, M2 30 CP UK, M4 26 CP UK
46	168858	Protection plate		1		M2 26 CP UK, M4 30 CP UK, M2 30 CP UK, M4 26 CP UK
47	60950	Screw	HM6	1		M2 26 CP UK, M4 30 CP UK, M2 30 CP UK, M4 26 CP UK
48	21979	Clamp		1		M2 26 CP UK, M4 30 CP UK, M2 30 CP UK, M4 26 CP UK
49	168859	Half clamp		1		M2 26 CP UK, M4 30 CP UK, M2 30 CP UK, M4 26 CP UK
50	168861	Protection plate		1		M2 26 CP UK, M4 30 CP UK, M2 30 CP UK, M4 26 CP UK
51	58533	Screw	HM8	1		M2 26 CP UK, M4 30 CP UK, M2 30 CP UK, M4 26 CP UK
52	167923	Union		1		M2 26 CP UK, M4 30 CP UK, M2 30 CP UK, M4 26 CP UK
53	169373	O ring		1		M2 26 CP UK, M4 30 CP UK, M2 30 CP UK, M4 26 CP UK

Item	Part No.	Name	Characteristics	Qty	Superseded PartNumber	Machine applicability
16	676806	Lock washer		1		MC 60 CP
17	186452	Engine bonnet		1		MC 60 CP
18	77764	Spacer		1		MC 60 CP
19	177920	Cap		1		MC 60 CP
20	18518	Bonnet clip		1	4510, 18519, 827	MC 60 CP
21	160318	Rivet		1		MC 60 CP
22	18518	Bonnet clip		1	4510, 18519, 827	MC 60 CP
23	54951	Screw	HM8	1		MC 60 CP
24	63351	Washer	M8	1		MC 60 CP
25	58528	Nut	M8	1		MC 60 CP
26	186389	THROTTLE		1		MC 60 CP
27	186390	THROTTLE		1		MC 60 CP
28	42347	Screw	HM8	1		MC 60 CP
29	63351	Washer	M8	1		MC 60 CP
30	58528	Nut	M8	1		MC 60 CP
31	189875	FENDER		1		MC 60 CP
32	213023	(Part Name Not Available)		1	189874	MC 60 CP
33	54951	Screw	HM8	1		MC 60 CP
34	63351	Washer	M8	1		MC 60 CP
35	63544	Screw	HM10	1		MC 60 CP
36	61675	Washer	L10	1		MC 60 CP
37	56354	Nut	M10	1		MC 60 CP
38	248152	Rubber profile	5900968 L1000	1	179200, 165817, 71962, 223906, 72455, 56371, 172909, 60729, 60728, 75340, 171973, 168523, 60731, 168526, 57908, 161716, 171177, 75819, 42355, 163468, 164711, 164712, 195061, 163467, 165006, 72464, 165005, 60719, 165004, 169651, 172910, 276127, 197897, 5900968	MC 60 CP

Item	Part No.	Name	Characteristics	Qty	Superseded PartNumber	Machine applicability
20	18518	Bonnet clip		1	4510, 18519, 827	MCE 40 CP, M2 26 CP UK, M4 26 CP, M4 50 CP, M4 30 CP UK, M2 30 CP, M2 30 CP UK, M2 26 CP, M4 30 CP, MC 40 CP, MC 50 CP, M4 40 CP, MC 30 CP, M4 26 CP UK
21	160318	Rivet		1		MCE 40 CP, M2 26 CP UK, M4 26 CP, M4 50 CP, M4 30 CP UK, M2 30 CP, M2 30 CP UK, M2 26 CP, M4 30 CP, MC 40 CP, MC 50 CP, M4 40 CP, MC 30 CP, M4 26 CP UK
22	18518	Bonnet clip		1	4510, 18519, 827	MCE 40 CP, M2 26 CP UK, M4 26 CP, M4 50 CP, M4 30 CP UK, M2 30 CP, M2 30 CP UK, M2 26 CP, M4 30 CP, MC 40 CP, MC 50 CP, M4 40 CP, MC 30 CP, M4 26 CP UK
23	54951	Screw	HM8	1		MCE 40 CP, M2 26 CP UK, M4 26 CP, M4 50 CP, M4 30 CP UK, M2 30 CP, M2 30 CP UK, M2 26 CP, M4 30 CP, MC 40 CP, MC 50 CP, M4 40 CP, MC 30 CP, M4 26 CP UK
24	63351	Washer	M8	1		MCE 40 CP, M2 26 CP UK, M4 26 CP, M4 50 CP, M4 30 CP UK, M2 30 CP, M2 30 CP UK, M2 26 CP, M4 30 CP, MC 40 CP, MC 50 CP, M4 40 CP, MC 30 CP, M4 26 CP UK
25	58528	Nut	M8	1		MCE 40 CP, M2 26 CP UK, M4 26 CP, M4 50 CP, M4 30 CP UK, M2 30 CP, M2 30 CP UK, M2 26 CP, M4 30 CP, MC 40 CP, MC 50 CP, M4 40 CP, MC 30 CP, M4 26 CP UK
26	77892	HOUSING		1		MCE 40 CP, M2 26 CP UK, M4 26 CP, M4 50 CP, M4 30 CP UK, M2 30 CP, M2 30 CP UK, M2 26 CP, M4 30 CP, MC 40 CP, MC 50 CP, M4 40 CP, MC 30 CP, M4 26 CP UK
27	77893	HOUSING		1		MCE 40 CP, M2 26 CP UK, M4 26 CP, M4 50 CP, M4 30 CP UK, M2 30 CP, M2 30 CP UK, M2 26 CP, M4 30 CP, MC 40 CP, MC 50 CP, M4 40 CP, MC 30 CP, M4 26 CP UK
28	54951	Screw	HM8	1		MCE 40 CP, M2 26 CP UK, M4 26 CP, M4 50 CP, M4 30 CP UK, M2 30 CP, M2 30 CP UK, M2 26 CP, M4 30 CP, MC 40 CP, MC 50 CP, M4 40 CP, MC 30 CP, M4 26 CP UK
29	63351	Washer	M8	1		MCE 40 CP, M2 26 CP UK, M4 26 CP, M4 50 CP, M4 30 CP UK, M2 30 CP, M2 30 CP UK, M2 26 CP, M4 30 CP, MC 40 CP, MC 50 CP, M4 40 CP, MC 30 CP, M4 26 CP UK
30	189875	FENDER		1		MCE 40 CP, M2 26 CP UK, M4 26 CP, M4 50 CP, M4 30 CP UK, M2 30 CP, M2 30 CP UK, M2 26 CP, M4 30 CP, MC 40 CP, MC 50 CP, M4 40 CP, MC 30 CP, M4 26 CP UK
31	213023	(Part Name Not Available)		1	189874	MCE 40 CP, M2 26 CP UK, M4 26 CP, M4 50 CP, M4 30 CP UK, M2 30 CP, M2 30 CP UK, M2 26 CP, M4 30 CP, MC 40 CP, MC 50 CP, M4 40 CP, MC 30 CP, M4 26 CP UK
32	54951	Screw	HM8	1		MCE 40 CP, M2 26 CP UK, M4 26 CP, M4 50 CP, M4 30 CP UK, M2 30 CP, M2 30 CP UK, M2 26 CP, M4 30 CP, MC 40 CP, MC 50 CP, M4 40 CP, MC 30 CP, M4 26 CP UK

_LIGHTING - SIGNALING

11 C 134

FEU TOURNANT (Pour protège conducteur)
RUNDUMKENNLEUCHE (Für Führer Schutzvorrichtung)
LUZ GIRATORIA (Para protector conductor)
REVOLVING LIGHT (For driver's overhead guard)

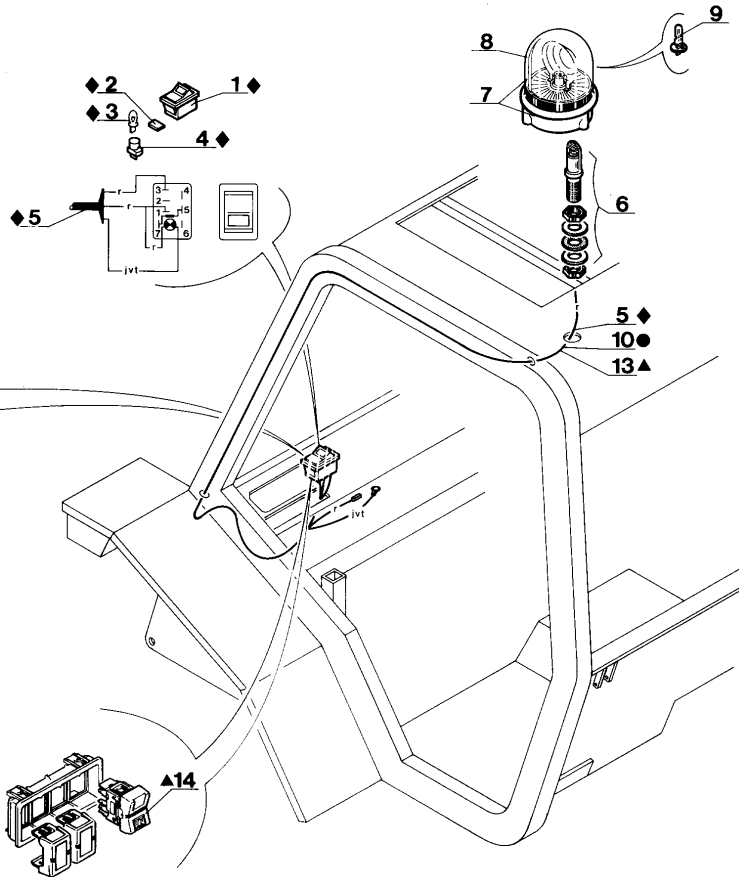
MC 30 CP
MC 40 CP
MC 50 CP
MC 60 CP
MCE 40 CP

M2 26 CP
M2 30 CP
M4 26 CP
M4 30 CP
M4 40 CP
M4 50 CP

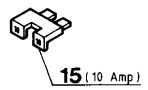
◆ 1er MONTAGE
1ste MONTAGE
1ro MONTAJE
1st MOUNTING

● 2ème MONTAGE
2te MONTAGE
2do MONTAJE
2nd MOUNTING

▲ 3ème MONTAGE
3er MONTAGE
3ro MONTAJE
3rd MOUNTING



-Fusible à ajouter à l'emplacement "5" de la boîte à fusibles pour le 2ème et 3ème montage.
 -Lichtsicherung ab Erhöhen in Platz "5" auf der Lichtsicherungsbüchse für 2te und 3er montage.
 -Fusible a añadir a plaza "5" de la caja de fusibles para 2do y 3ro montaje.
 -Fuse to add at the place "5" of the fuse box for 2nd and 3rd mounting.



9
15

Item	Part No.	Name	Characteristics	Qty	Superseded PartNumber	Machine applicability
18	29469	Washer	M6	1		MC 50 CP, MCE 40 CP, M4 26 CP, M4 50 CP, M4 40 CP, M2 30 CP, M2 26 CP, M4 30 CP, MC 30 CP, MC 40 CP, MC 60 CP
19	178962	Switch		1		MC 50 CP, MCE 40 CP, M4 26 CP, M4 50 CP, M4 40 CP, M2 30 CP, M2 26 CP, M4 30 CP, MC 30 CP, MC 40 CP, MC 60 CP
20	75245	Red lens		1		MC 50 CP, MCE 40 CP, M4 26 CP, M4 50 CP, M4 40 CP, M2 30 CP, M2 26 CP, M4 30 CP, MC 30 CP, MC 40 CP, MC 60 CP
21	75241	Bulb	12V 2W	1	448810, 2806305MI	MC 50 CP, MCE 40 CP, M4 26 CP, M4 50 CP, M4 40 CP, M2 30 CP, M2 26 CP, M4 30 CP, MC 30 CP, MC 40 CP, MC 60 CP
22	75310	Socket		1		MC 50 CP, MCE 40 CP, M4 26 CP, M4 50 CP, M4 40 CP, M2 30 CP, M2 26 CP, M4 30 CP, MC 30 CP, MC 40 CP, MC 60 CP
23	78715	WIRING HARNESS		1		MC 50 CP, MCE 40 CP, M4 26 CP, M4 50 CP, M4 40 CP, M2 30 CP, M2 26 CP, M4 30 CP, MC 30 CP, MC 40 CP, MC 60 CP
24	19994	Cable Grommet		1		MC 50 CP, MCE 40 CP, M4 26 CP, M4 50 CP, M4 40 CP, M2 30 CP, M2 26 CP, M4 30 CP, MC 30 CP, MC 40 CP, MC 60 CP
25	223480	Working light		1		MC 50 CP, MCE 40 CP, M4 26 CP, M4 50 CP, M4 40 CP, M2 30 CP, M2 26 CP, M4 30 CP, MC 30 CP, MC 40 CP, MC 60 CP
26	164378	Bulb	H3 12V 55W	1		MC 50 CP, MCE 40 CP, M4 26 CP, M4 50 CP, M4 40 CP, M2 30 CP, M2 26 CP, M4 30 CP, MC 30 CP, MC 40 CP, MC 60 CP

Item	Part No.	Name	Characteristics	Qty	Superseded PartNumber	Machine applicability
18	29469	Washer	M6	1		MC 50 CP, MCE 40 CP, M4 26 CP, M4 50 CP, M4 40 CP, M2 30 CP, M2 26 CP, M4 30 CP, MC 30 CP, MC 40 CP, MC 60 CP
19	189086	Switch		1		MC 50 CP, MCE 40 CP, M4 26 CP, M4 50 CP, M4 40 CP, M2 30 CP, M2 26 CP, M4 30 CP, MC 30 CP, MC 40 CP, MC 60 CP
20	191379	Catridge (Power-A-Tach)		1		MC 50 CP, MCE 40 CP, M4 26 CP, M4 50 CP, M4 40 CP, M2 30 CP, M2 26 CP, M4 30 CP, MC 30 CP, MC 40 CP, MC 60 CP
21	19994	Cable Grommet		1		MC 50 CP, MCE 40 CP, M4 26 CP, M4 50 CP, M4 40 CP, M2 30 CP, M2 26 CP, M4 30 CP, MC 30 CP, MC 40 CP, MC 60 CP
22	223480	Working light		1		MC 50 CP, MCE 40 CP, M4 26 CP, M4 50 CP, M4 40 CP, M2 30 CP, M2 26 CP, M4 30 CP, MC 30 CP, MC 40 CP, MC 60 CP
23	187163	Fuse holder		1		MC 50 CP, MCE 40 CP, M4 26 CP, M4 50 CP, M4 40 CP, M2 30 CP, M2 26 CP, M4 30 CP, MC 30 CP, MC 40 CP, MC 60 CP

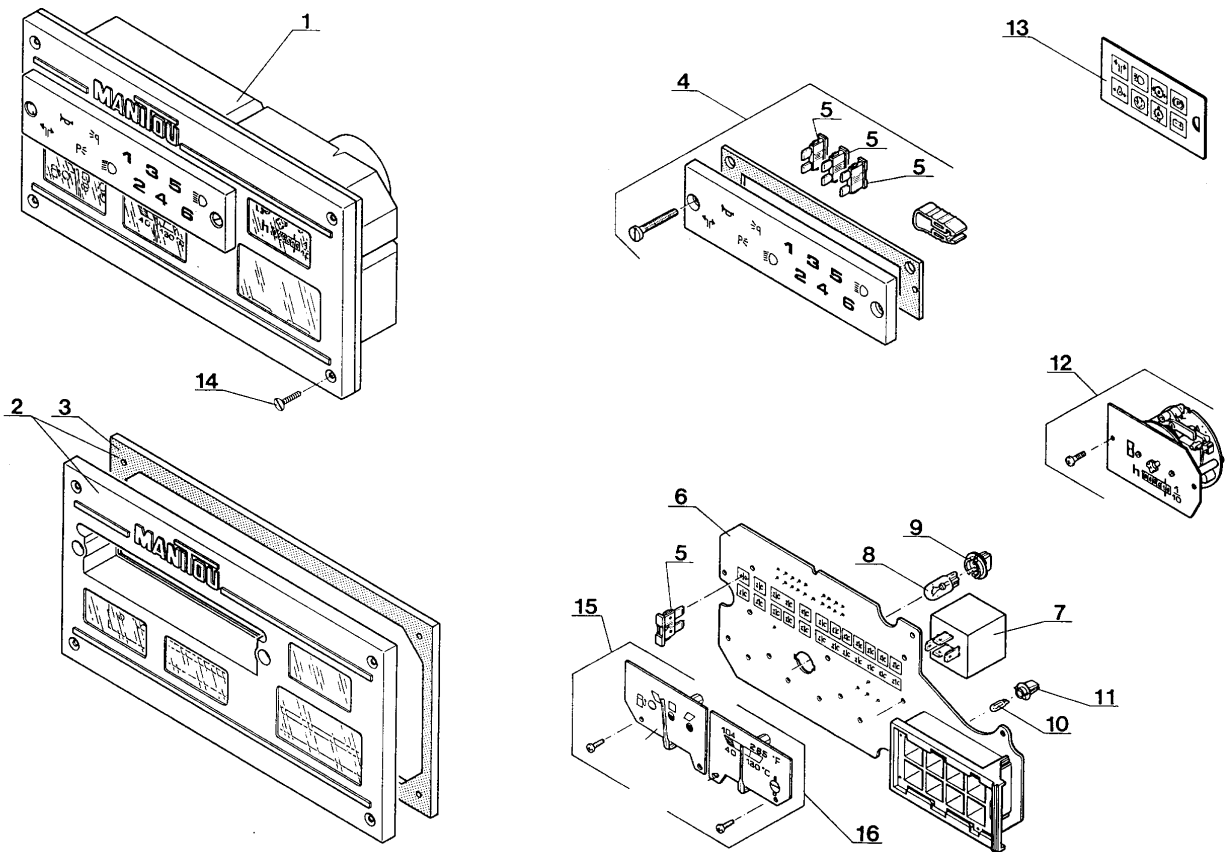
11 C 166

REPLACEE PAR PLANCHE 11 C 184
ERSETZEN ZU ZEICHNUNG 11 C 184
REEMPLAZADO PARA DIBUJO 11 C 184
REPLACED BY DRAWING 11 C 184

M2 26 CP UK
M2 30 CP UK
M4 26 CP UK
M4 30 CP UK

MC 30 CP
MC 40 CP
MC 50 CP
MC 60 CP
MCE 40 CP

M2 26 CP
M2 30 CP
M4 26 CP
M4 30 CP
M4 40 CP
M4 50 CP



3
J6



Item	Part No.	Name	Characteristics	Qty	Superseded PartNumber	Machine applicability
1	243652	COMPLETE WHEEL		1	403572, 169969	MC 50 CP, MCE 40 CP, MC 30 CP, MC 40 CP, MC 60 CP
2	243654	SUPERCESSION BY		1	403573, 169970	MC 50 CP, MCE 40 CP, MC 30 CP, MC 40 CP, MC 60 CP
3	161020	Wheel, bare	6,75x17,5 6T D.O	1	169115	MC 50 CP, MCE 40 CP, MC 30 CP, MC 40 CP, MC 60 CP
4	38774	Valve		1		MC 50 CP, MCE 40 CP, MC 30 CP, MC 40 CP, MC 60 CP
5	243655	COMPLETE WHEEL		1	190574	MC 50 CP, MCE 40 CP, MC 30 CP, MC 40 CP, MC 60 CP
6	243657	Tyre	10R17.5 134/132LLDR TLCONTINENTAL	1		MC 50 CP, MCE 40 CP, MC 30 CP, MC 40 CP, MC 60 CP
7	261768	Complete rear wheel		1		MC 50 CP, MCE 40 CP, MC 30 CP, MC 40 CP, MC 60 CP
8	54324	Tyre	9.5R19.5xZY 134/131K TUB.mICHELIN	1		MC 50 CP, MCE 40 CP, MC 30 CP, MC 40 CP, MC 60 CP
9	259314	Wheel, bare	19,5x675 6T P 30 D19/205	1		MC 50 CP, MCE 40 CP, MC 30 CP, MC 40 CP, MC 60 CP
10	78801	COMPLETE WHEEL		1		MC 50 CP, MCE 40 CP, MC 30 CP, MC 40 CP, MC 60 CP
11	78476	TYRE		1		MC 50 CP, MCE 40 CP, MC 30 CP, MC 40 CP, MC 60 CP
12	78802	Wheel	19.5X 675 6T P30 D21/205	1		MC 50 CP, MCE 40 CP, MC 30 CP, MC 40 CP, MC 60 CP
13	53949	Valve	1500 ETRTO V3- 20-7	1		MC 50 CP, MCE 40 CP, MC 30 CP, MC 40 CP, MC 60 CP

Item	Part No.	Name	Characteristics	Qty	Superseded PartNumber	Machine applicability
95	109537	COMPLETE CROSS ROD		1		M4 50 CP, M4 40 CP
96	7955	MECA pin		1		M4 50 CP, M4 40 CP
97	109279	Axle		1		M4 50 CP, M4 40 CP
98	126855	nut		1	673765, 406038	M4 50 CP, M4 40 CP
99	108994	Spacer		1		M4 50 CP, M4 40 CP
100	108995	Nut		1	549921, 473498	M4 50 CP, M4 40 CP
101	109536	Screw		1	108996	M4 50 CP, M4 40 CP
102	109278	Spacer	EP:4 REF:120584	1		M4 50 CP, M4 40 CP
103	894445	BEARING		1	108997	M4 50 CP, M4 40 CP
104	420518	Bushing		1		M4 50 CP, M4 40 CP
105	420535	Bushing		1	487519	M4 50 CP, M4 40 CP
106	109540	L.H. bracket		1		M4 50 CP, M4 40 CP
107	108998	Screw		1		M4 50 CP, M4 40 CP
108	109539	R.H. bracket		1		M4 50 CP, M4 40 CP
109	420517	"O" ring		1		M4 50 CP, M4 40 CP
110	108999	Bearing		1		M4 50 CP, M4 40 CP
111	109025	Bushing		1	487524	M4 50 CP, M4 40 CP
112	109026	Screw		1		M4 50 CP, M4 40 CP
113	125963	GREASE NIPPLE		1		M4 50 CP, M4 40 CP
116	109541	Washer		1		M4 50 CP, M4 40 CP
117	109542	Stud-bolt		1	475306	M4 50 CP, M4 40 CP
118	109544	Flange		1	487535	M4 50 CP, M4 40 CP
119	31003	SCREW H,M10- 60-8.8-ZN8/C		1		M4 50 CP, M4 40 CP
120	420446	Nut		1	487533	M4 50 CP, M4 40 CP
121	706011	CARDAN SHAFT		1	475061	M4 50 CP, M4 40 CP
122	474276	Shaft		1		M4 50 CP, M4 40 CP
123	474278	Cross piece		1		M4 50 CP, M4 40 CP
124	138045	Circlip		1	108964, 549118, 474279, 139454, 127331	M4 50 CP, M4 40 CP
125	125993	Greaser		1	474280, 182274	M4 50 CP, M4 40 CP
126	474277	Central body		1	476899	M4 50 CP, M4 40 CP
127	475062	Intermediate shaft		1		M4 50 CP, M4 40 CP
128	1774	Nut		1		M4 50 CP, M4 40 CP
129	475268	Screw	HM14	1		M4 50 CP, M4 40 CP
130	475269	Screw	HM12	1		M4 50 CP, M4 40 CP
131	475270	Axle		1		M4 50 CP, M4 40 CP

Item	Part No.	Name	Characteristics	Qty	Superseded PartNumber	Machine applicability
1	562504	Roller bearing		1		M4 26 CP, M4 30 CP UK, M4 30 CP, M4 26 CP UK
2	563046	WHEEL HUB		1	109554, 473200	M4 26 CP, M4 30 CP UK, M4 30 CP, M4 26 CP UK
3	475296	Snap ring		1		M4 26 CP, M4 30 CP UK, M4 30 CP, M4 26 CP UK
4	476805	Planetary ring plate		1		M4 26 CP, M4 30 CP UK, M4 30 CP, M4 26 CP UK
5	109552	Screw	H,M14	1		M4 26 CP, M4 30 CP UK, M4 30 CP, M4 26 CP UK
6	109551	Socket		1	477300	M4 26 CP, M4 30 CP UK, M4 30 CP, M4 26 CP UK
7	109550	Socket		1		M4 26 CP, M4 30 CP UK, M4 30 CP, M4 26 CP UK
8	476804	Planetary ring gear		1	108975	M4 26 CP, M4 30 CP UK, M4 30 CP, M4 26 CP UK
9	109558	Spacer		1	476806	M4 26 CP, M4 30 CP UK, M4 30 CP, M4 26 CP UK
10	108961	Gear		1		M4 26 CP, M4 30 CP UK, M4 30 CP, M4 26 CP UK
11	108960	Circlip		1	601156	M4 26 CP, M4 30 CP UK, M4 30 CP, M4 26 CP UK
12	5148	Circlip	-	1		M4 26 CP, M4 30 CP UK, M4 30 CP, M4 26 CP UK
13	473206	Spacer		1		M4 26 CP, M4 30 CP UK, M4 30 CP, M4 26 CP UK
14	473202	Gear		1		M4 26 CP, M4 30 CP UK, M4 30 CP, M4 26 CP UK
15	473203	Switch		1	476801	M4 26 CP, M4 30 CP UK, M4 30 CP, M4 26 CP UK
16	473204	Cover		1	476802	M4 26 CP, M4 30 CP UK, M4 30 CP, M4 26 CP UK
17	108979	Stop washer		1		M4 26 CP, M4 30 CP UK, M4 30 CP, M4 26 CP UK
18	108980	Stop washer		1		M4 26 CP, M4 30 CP UK, M4 30 CP, M4 26 CP UK
19	44503	Screw	FHc,M12-30-10.9-ZN8/C	1	569217, 600670, A4181477A	M4 26 CP, M4 30 CP UK, M4 30 CP, M4 26 CP UK
20	108982	Stud-bolt		1		M4 26 CP, M4 30 CP UK, M4 30 CP, M4 26 CP UK
20	108981	Wheel stud		1		M4 26 CP, M4 30 CP UK, M4 30 CP, M4 26 CP UK
21	133296	Drain plug		1		M4 26 CP, M4 30 CP UK, M4 30 CP, M4 26 CP UK
22	108985	Pin		1		M4 26 CP, M4 30 CP UK, M4 30 CP, M4 26 CP UK

AX 190

A PARTIR DU N° DE SERIE
AB DER SERIEN NUMMER
A PARTIR DEL N° DE SERIE
FROM SERIES NUMBER
→ N° : B 98051

FREIN A DISQUE A BAIN D' HUILE
ÖLBADSCHIEBENBREMSE
FRENO DE DISCO A BANO DE ACEITE
OIL BATH DISC BRAKE

M2 26 CP UK
M2 30 CP UK
M4 26 CP UK
M4 30 CP UK

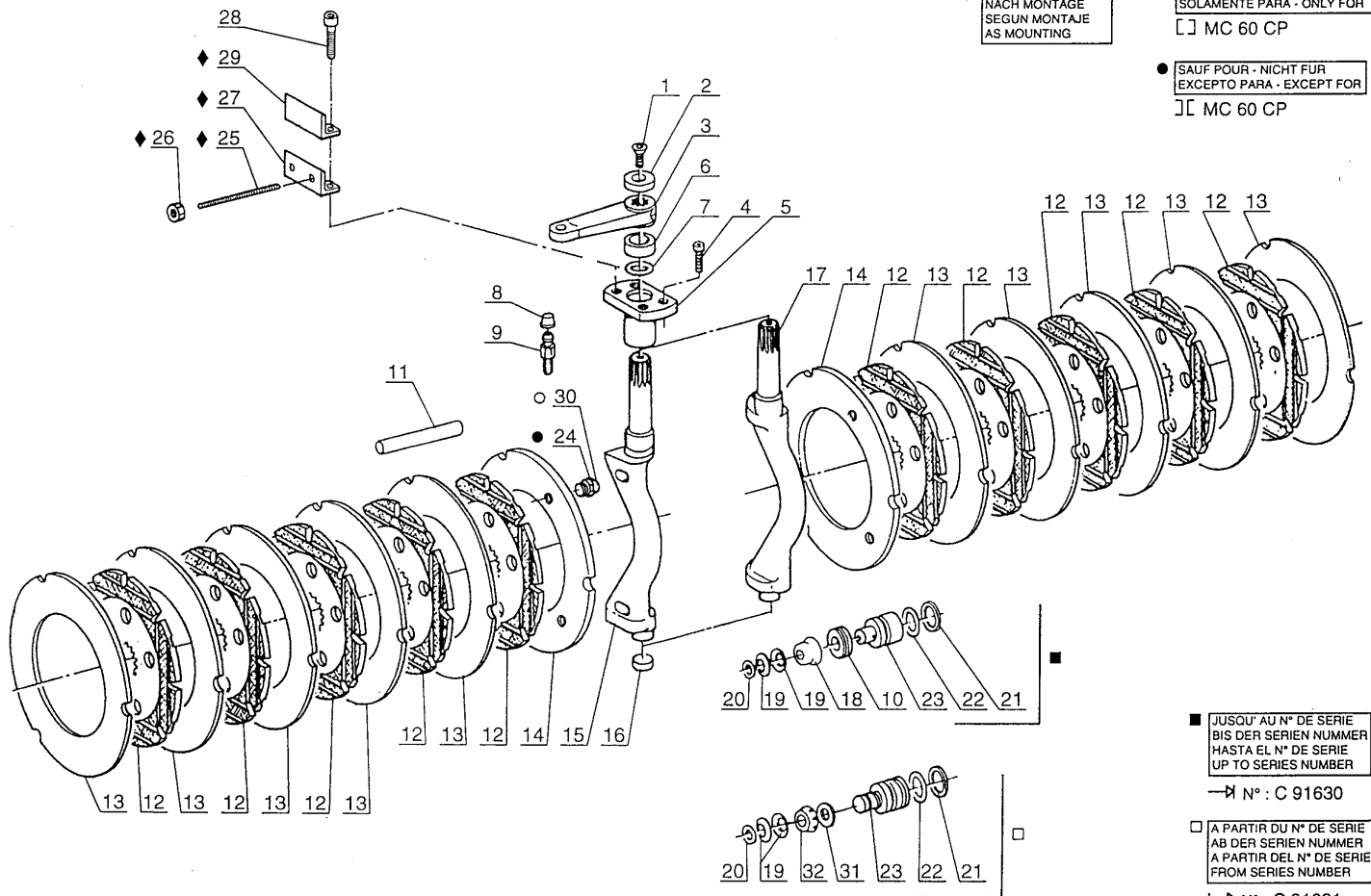
MC 30 CP
MC 40 CP
MC 50 CP
MC 60 CP
MCE 40 CP

M2 26 CP
M2 30 CP
M4 26 CP
M4 30 CP
M4 40 CP
M4 50 CP

◆ SUIVANT MONTAGE
NACH MONTAGE
SEGUN MONTAJE
AS MOUNTING

○ SEULEMENT POUR - NUR FÜR
SOLAMENTE PARA - ONLY FOR
□ MC 60 CP

● SAUF POUR - NICHT FÜR
EXCEPTO PARA - EXCEPT FOR
⌋ MC 60 CP



■ JUSQU' AU N° DE SERIE
BIS DER SERIEN NUMMER
HASTA EL N° DE SERIE
UP TO SERIES NUMBER

→ N° : C 91630

□ A PARTIR DU N° DE SERIE
AB DER SERIEN NUMMER
A PARTIR DEL N° DE SERIE
FROM SERIES NUMBER

→ N° : C 91631

4
G10



Item	Part No.	Name	Characteristics	Qty	Superseded PartNumber	Machine applicability
1	475138	Cover		1		MC 60 CP
2	133011	Seal		1		MC 60 CP
3	42741	"O" ring		1	106577	MC 60 CP
4	106578	Spacer		1		MC 60 CP
5	105938	Seal		1		MC 60 CP
6	160904	Taper roller bearing		1	106050	MC 60 CP
7	550059	Half-shaft		1		MC 60 CP
8	550060	Bracket		1		MC 60 CP
9	106840	Screw	H,M16	1		MC 60 CP
10	477849	Bushing		1		MC 60 CP
11	477851	Planet wheel bracket		1		MC 60 CP
12	5374	Copper joint	-	1	106585, 479026	MC 60 CP
13	106586	Plug		1		MC 60 CP
14	133197	Screw		1		MC 60 CP
15	473514	Washer		1		MC 60 CP
16	477852	Bearing		1		MC 60 CP
17	477853	Spacer		1		MC 60 CP
18	477854	Planet wheel		1		MC 60 CP
19	477855	Planet wheel bracket		1		MC 60 CP
20	894000	SCREW		1	475151	MC 60 CP
21	477856	Circlip		1		MC 60 CP
22	477857	Gear ring		1		MC 60 CP
23	109483	Shim	0,30mm	1		MC 60 CP
23	106590	Shim	0,20mm	1		MC 60 CP
23	106589	Shim	0,15mm	1		MC 60 CP
23	550564	Shim	0,1mm	1		MC 60 CP
23	106591	Shim	0,50mm	1		MC 60 CP
24	477465	Seal		1		MC 60 CP
25	781678	Nut		1		MC 60 CP
26	475153	Wheel hub		1		MC 60 CP
27	106080	Pipe Fitting		1		MC 60 CP
28	58548	Nut	M12	1		MC 60 CP
29	106569	Stud-bolt		1		MC 60 CP
30	133276	Drain plug		1		MC 60 CP
31	473502	Stud-bolt		1		MC 60 CP
32	477850	Washer		1		MC 60 CP

Item	Part No.	Name	Characteristics	Qty	Superseded PartNumber	Machine applicability
48	129817	Wedge		1	H3217593R1	MC 50 CP, MCE 40 CP, MC 30 CP, MC 40 CP
49	129818	Wedge		1	H3217594R1	MC 50 CP, MCE 40 CP, MC 30 CP, MC 40 CP
50	11842	Wheel hub		1		MC 50 CP, MCE 40 CP, MC 30 CP, MC 40 CP
51	160856	SEE DETAIL		1		MC 50 CP, MCE 40 CP, MC 30 CP, MC 40 CP
52	11839	Washer		1		MC 50 CP, MCE 40 CP, MC 30 CP, MC 40 CP
53	5511	Bearing		1	2733323MI, 127128, D1109965, D1109964, 31539, D90795, 513629, D90656	MC 50 CP, MCE 40 CP, MC 30 CP, MC 40 CP
54	44860	Wheel stud		1		MC 50 CP, MCE 40 CP, MC 30 CP, MC 40 CP
55	1767	Wheel nut		1		MC 50 CP, MCE 40 CP, MC 30 CP, MC 40 CP
56	86840	Cranked greaser		1		MC 50 CP, MCE 40 CP, MC 30 CP, MC 40 CP
57	35	Roller bearing		1	703175	MC 50 CP, MCE 40 CP, MC 30 CP, MC 40 CP
58	165078	Washer	SP 39x70x5 ZN	1	35576, 37437	MC 50 CP, MCE 40 CP, MC 30 CP, MC 40 CP
59	77251	Nut	HK,M38 P150 EP35 ZN12/C	1		MC 50 CP, MCE 40 CP, MC 30 CP, MC 40 CP
59	77260	Nut	HK,M38-150 U	1		MC 50 CP, MCE 40 CP, MC 30 CP, MC 40 CP
60	58042	Pin		1		MC 50 CP, MCE 40 CP, MC 30 CP, MC 40 CP
61	11841	Cap		1		MC 50 CP, MCE 40 CP, MC 30 CP, MC 40 CP
62	35	Roller bearing		1	703175	MC 50 CP, MCE 40 CP, MC 30 CP, MC 40 CP
63	1457	*		1		MC 50 CP, MCE 40 CP, MC 30 CP, MC 40 CP
64	1456	Nut	KM 10	1	52004	MC 50 CP, MCE 40 CP, MC 30 CP, MC 40 CP
65	160804	Cap		1		MC 50 CP, MCE 40 CP, MC 30 CP, MC 40 CP
66	186533	Special washer	40 X 80 X 3,3 XC38H2	1		MC 50 CP, MCE 40 CP, MC 30 CP, MC 40 CP
67	54951	Screw	HM8	1		MC 50 CP, MCE 40 CP, MC 30 CP, MC 40 CP
68	44025	Washer		1		MC 50 CP, MCE 40 CP, MC 30 CP, MC 40 CP

CLICK HERE TO **DOWNLOAD** THE COMPLETE MANUAL

- Thank you very much for reading the preview of the manual.
- You can download the complete manual from: www.heydownloads.com by clicking the link below



- Please note: If there is no response to CLICKING the link, please download this PDF first and then click on it.

CLICK HERE TO **DOWNLOAD** THE COMPLETE MANUAL

Item	Part No.	Name	Characteristics	Qty	Superseded PartNumber	Machine applicability
54	89164	Elbow connector	90°	1		MC 50 CP, MCE 40 CP, M4 50 CP, M4 40 CP, MC 40 CP
55	174552	null		1		MC 50 CP, MCE 40 CP, M4 50 CP, M4 40 CP, MC 40 CP
56	204945	Bracket		1		MC 50 CP, MCE 40 CP, M4 50 CP, M4 40 CP, MC 40 CP
57	63754	Screw	HM8	1		MC 50 CP, MCE 40 CP, M4 50 CP, M4 40 CP, MC 40 CP
58	61674	null	M8	1		MC 50 CP, MCE 40 CP, M4 50 CP, M4 40 CP, MC 40 CP
59	42325	Washer		1		MC 50 CP, MCE 40 CP, M4 50 CP, M4 40 CP, MC 40 CP
60	58528	Nut	M8	1		MC 50 CP, MCE 40 CP, M4 50 CP, M4 40 CP, MC 40 CP

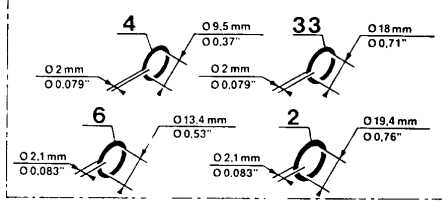
10 A 599

JUSQU'À LA MACHINE
BIS DER MASCHINE
HASTA LA MAQUINA
UP TO MACHINE
N°: 93682

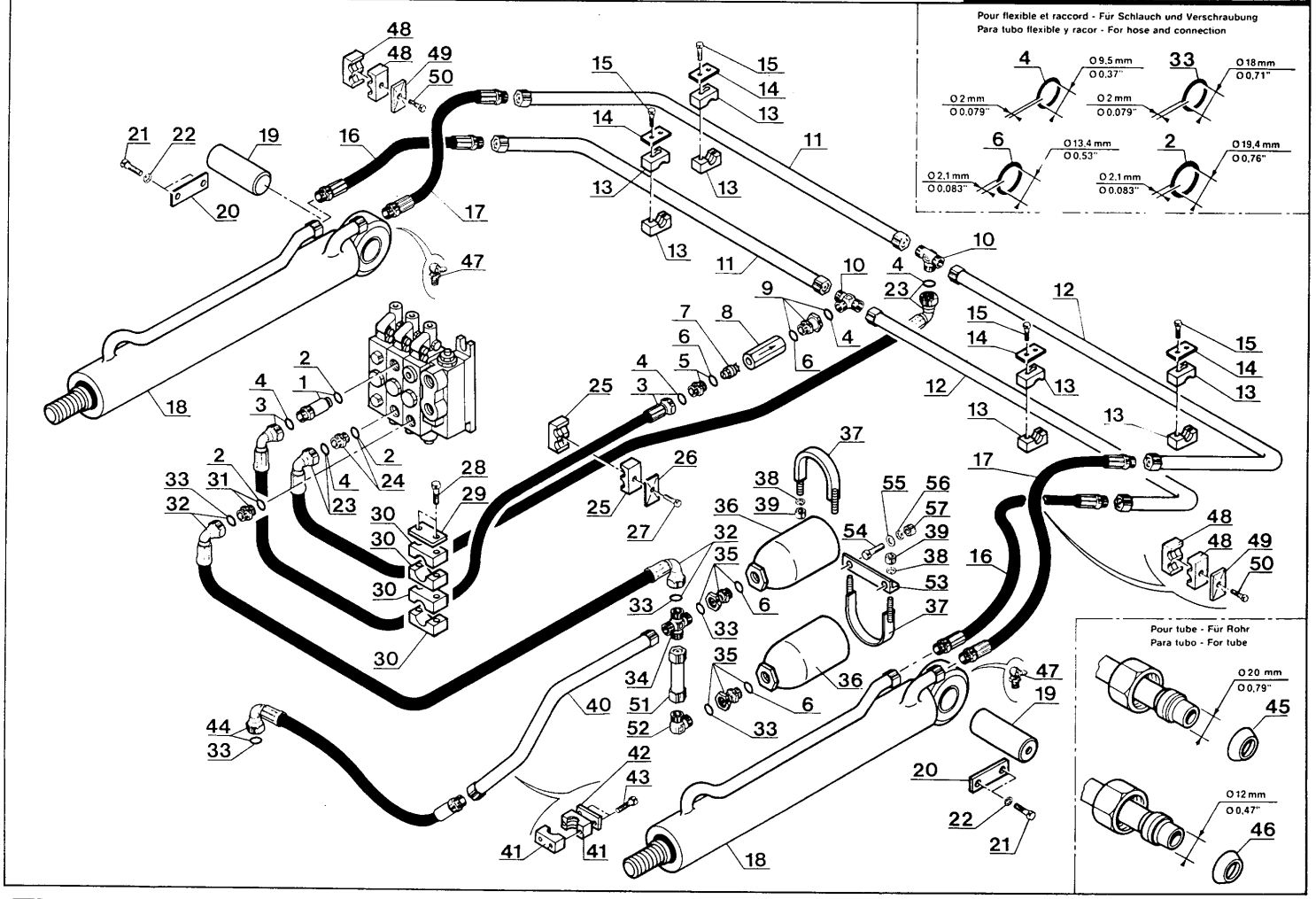
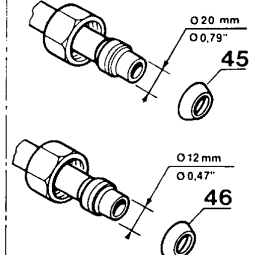
HYDRAULIQUE (Circuit inclinaison - élévation - accessoire)
HYDRAULIK (Neigung - aufwinden - zubehör kreis)
HIDRAULICO (Circuito inclinación - elevación - accesorio)
HYDRAULIC (Tilting - lifting - attachment circuit)

MC 60 CP

Pour flexible et raccord - Für Schlauch und Verschraubung
Para tubo flexible y racor - For hose and connection



Pour tube - Für Rohr
Para tubo - For tube



2
110



Item	Part No.	Name	Characteristics	Qty	Superseded PartNumber	Machine applicability
Not Shown	469571	COMPLETE MAST		1		MC 50 CP, MCE 40 CP, M4 50 CP, M4 40 CP, MC 40 CP
Not Shown	469824	COMPLETE MAST		1		MC 50 CP, MCE 40 CP, M4 50 CP, M4 40 CP, MC 40 CP
Not Shown	560418OPT	COMPLETE MAST		1	469826, 560390	MC 50 CP, MCE 40 CP, M4 50 CP, M4 40 CP, MC 40 CP
Not Shown	560417OPT	COMPLETE MAST		1	560389, 469825	MC 50 CP, MCE 40 CP, M4 50 CP, M4 40 CP, MC 40 CP
1	174557	Pipe Fitting		1		MC 50 CP, MCE 40 CP, M4 50 CP, M4 40 CP, MC 40 CP
2	168904	Connection		1		MC 50 CP, MCE 40 CP, M4 50 CP, M4 40 CP, MC 40 CP
3	189956	null		1		MC 50 CP, MCE 40 CP, M4 50 CP, M4 40 CP, MC 40 CP
4	169373	O ring		1		MC 50 CP, MCE 40 CP, M4 50 CP, M4 40 CP, MC 40 CP
5	171020	Flow restrictor		1		MC 50 CP, MCE 40 CP, M4 50 CP, M4 40 CP, MC 40 CP
7	193901	Hose		1		MC 50 CP, MCE 40 CP, M4 50 CP, M4 40 CP, MC 40 CP
8	174548	Pipe Fitting		1		MC 50 CP, MCE 40 CP, M4 50 CP, M4 40 CP, MC 40 CP
9	86506	Clamp		1		MC 50 CP, MCE 40 CP, M4 50 CP, M4 40 CP, MC 40 CP
10	42347	Screw	HM8	1		MC 50 CP, MCE 40 CP, M4 50 CP, M4 40 CP, MC 40 CP
11	42325	Washer		1		MC 50 CP, MCE 40 CP, M4 50 CP, M4 40 CP, MC 40 CP

Item	Part No.	Name	Characteristics	Qty	Superseded PartNumber	Machine applicability
56	204945	Bracket		1		MC 50 CP, MCE 40 CP, M4 50 CP, M4 40 CP, MC 40 CP
57	63754	Screw	HM8	1		MC 50 CP, MCE 40 CP, M4 50 CP, M4 40 CP, MC 40 CP
58	61674	null	M8	1		MC 50 CP, MCE 40 CP, M4 50 CP, M4 40 CP, MC 40 CP
59	42325	Washer		1		MC 50 CP, MCE 40 CP, M4 50 CP, M4 40 CP, MC 40 CP
60	58528	Nut	M8	1		MC 50 CP, MCE 40 CP, M4 50 CP, M4 40 CP, MC 40 CP
61	25002	O ring		1		MC 50 CP, MCE 40 CP, M4 50 CP, M4 40 CP, MC 40 CP
62	217043	Elbow connector adaptor		1		MC 50 CP, MCE 40 CP, M4 50 CP, M4 40 CP, MC 40 CP

Item	Part No.	Name	Characteristics	Qty	Superseded PartNumber	Machine applicability
7	191664	Cylinder	SE D100 C 925	1		MC 50 CP, MCE 40 CP, M4 50 CP, M4 40 CP, MC 40 CP
8	191665	Cylinder	SE D100 C1000	1		MC 50 CP, MCE 40 CP, M4 50 CP, M4 40 CP, MC 40 CP
9	198444	Fastening ring		1		MC 50 CP, MCE 40 CP, M4 50 CP, M4 40 CP, MC 40 CP
10	198443	Bleeder screw		1		MC 50 CP, MCE 40 CP, M4 50 CP, M4 40 CP, MC 40 CP
11	179957	Watertight seal		1		MC 50 CP, MCE 40 CP, M4 50 CP, M4 40 CP, MC 40 CP
12	197188	TO BE TRANSLATED		1		MC 50 CP, MCE 40 CP, M4 50 CP, M4 40 CP, MC 40 CP
13	198442	Seal		1		MC 50 CP, MCE 40 CP, M4 50 CP, M4 40 CP, MC 40 CP
14	491	Seal		1		MC 50 CP, MCE 40 CP, M4 50 CP, M4 40 CP, MC 40 CP
15	162659	Snap ring		1		MC 50 CP, MCE 40 CP, M4 50 CP, M4 40 CP, MC 40 CP
16	198446	Cylinder piston		1		MC 50 CP, MCE 40 CP, M4 50 CP, M4 40 CP, MC 40 CP
17	170987	Snap ring		1		MC 50 CP, MCE 40 CP, M4 50 CP, M4 40 CP, MC 40 CP
18	198447	Seal kit		1		MC 50 CP, MCE 40 CP, M4 50 CP, M4 40 CP, MC 40 CP
19	198445	Seal		1		MC 50 CP, MCE 40 CP, M4 50 CP, M4 40 CP, MC 40 CP

Item	Part No.	Name	Characteristics	Qty	Superseded PartNumber	Machine applicability
31	162225	Bellows		1		M2 26 CP UK, M4 30 CP UK, M2 30 CP UK, M4 26 CP UK
53	176312	Fastening plate		1		M2 26 CP UK, M4 30 CP UK, M2 30 CP UK, M4 26 CP UK
54	178653	Kit of 4 tie rod for valve bank 3member		1		M2 26 CP UK, M4 30 CP UK, M2 30 CP UK, M4 26 CP UK
55	178654	Kit of 4 tie rod for valve bank 4 member		1		M2 26 CP UK, M4 30 CP UK, M2 30 CP UK, M4 26 CP UK
56	78515	NO LONGER AVAILABLE		1		M2 26 CP UK, M4 30 CP UK, M2 30 CP UK, M4 26 CP UK
80	178650	NO LONGER AVAILABLE		1		M2 26 CP UK, M4 30 CP UK, M2 30 CP UK, M4 26 CP UK
81	175159	Single-acting member		1		M2 26 CP UK, M4 30 CP UK, M2 30 CP UK, M4 26 CP UK
82	175160	Double-acting member		1		M2 26 CP UK, M4 30 CP UK, M2 30 CP UK, M4 26 CP UK
83	178656	Spring return drive		1	175161	M2 26 CP UK, M4 30 CP UK, M2 30 CP UK, M4 26 CP UK
84	178652	Complete manual drive		1		M2 26 CP UK, M4 30 CP UK, M2 30 CP UK, M4 26 CP UK
85	178651	Fastening member		1		M2 26 CP UK, M4 30 CP UK, M2 30 CP UK, M4 26 CP UK
86	179441	TIE BAR		1		M2 26 CP UK, M4 30 CP UK, M2 30 CP UK, M4 26 CP UK
87	175165	Valve		1		M2 26 CP UK, M4 30 CP UK, M2 30 CP UK, M4 26 CP UK
88	178657	Relief valve		1	175166	M2 26 CP UK, M4 30 CP UK, M2 30 CP UK, M4 26 CP UK
89	175167	Seal kit for inlet section		1		M2 26 CP UK, M4 30 CP UK, M2 30 CP UK, M4 26 CP UK
90	175168	Seal kit for single acting and double acting section		1		M2 26 CP UK, M4 30 CP UK, M2 30 CP UK, M4 26 CP UK
93	179421	screw	CHc,M5-10 zn	1	471327	M2 26 CP UK, M4 30 CP UK, M2 30 CP UK, M4 26 CP UK

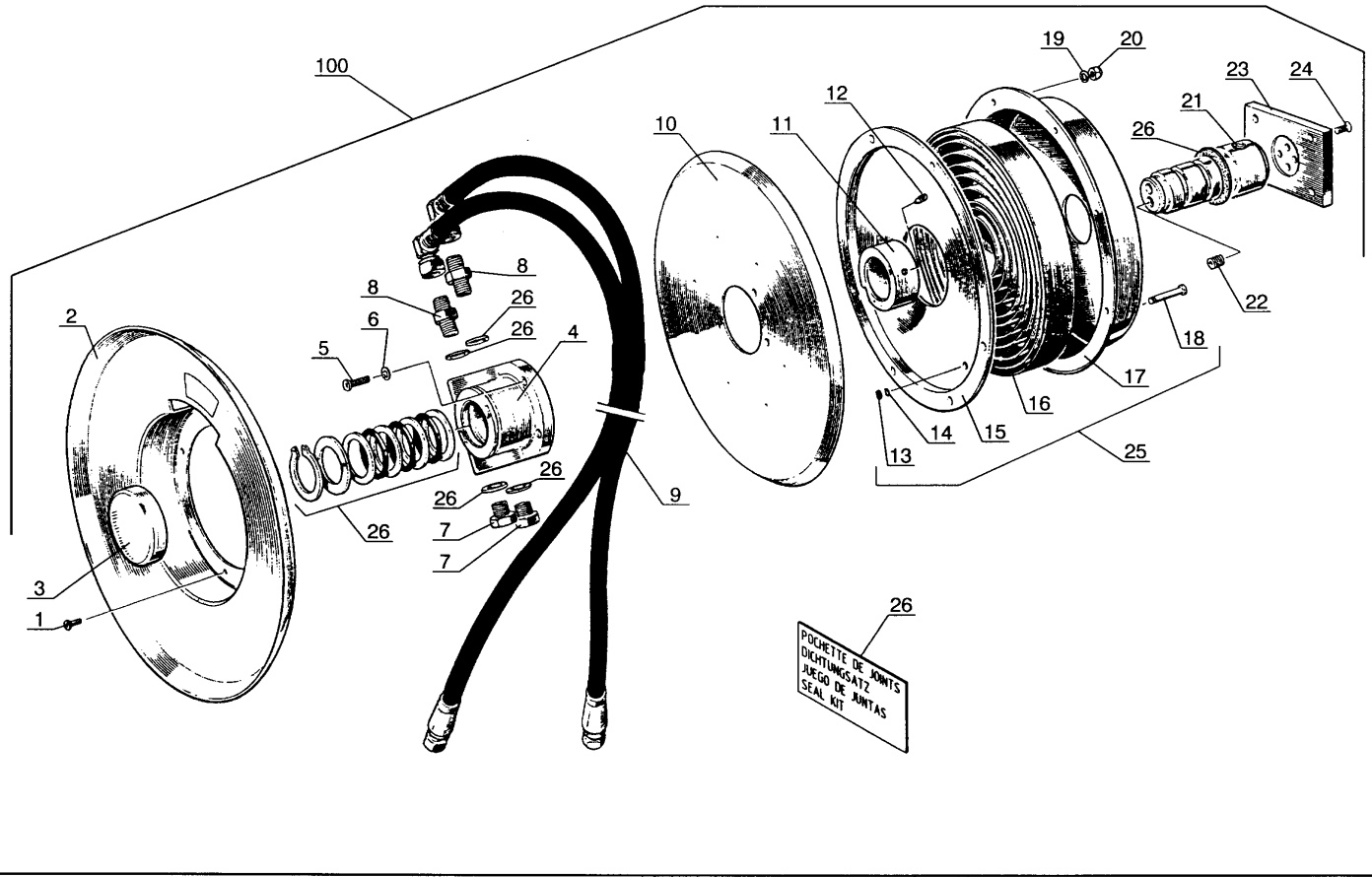
Item	Part No.	Name	Characteristics	Qty	Superseded PartNumber	Machine applicability
Not Shown	572130	COMPLETE MAST		1	555049, 469629, 572146	MC 50 CP, MCE 40 CP, M4 50 CP, M4 40 CP, MC 40 CP
Not Shown	469630	NO LONGER AVAILABLE		1		MC 50 CP, MCE 40 CP, M4 50 CP, M4 40 CP, MC 40 CP
Not Shown	572128	COMPLETE MAST		1	555047, 469627, 572144	MC 50 CP, MCE 40 CP, M4 50 CP, M4 40 CP, MC 40 CP
Not Shown	572127	COMPLETE MAST		1	555046, 469626, 572143	MC 50 CP, MCE 40 CP, M4 50 CP, M4 40 CP, MC 40 CP
Not Shown	572124	COMPLETE MAST		1	572140, 555043, 469623	MC 50 CP, MCE 40 CP, M4 50 CP, M4 40 CP, MC 40 CP
Not Shown	572125	COMPLETE MAST		1	572141, 469624, 555044	MC 50 CP, MCE 40 CP, M4 50 CP, M4 40 CP, MC 40 CP
Not Shown	572126	COMPLETE MAST		1	572142, 555045, 469625	MC 50 CP, MCE 40 CP, M4 50 CP, M4 40 CP, MC 40 CP
Not Shown	572133	COMPLETE MAST		1	469632, 572149, 555052	MC 50 CP, MCE 40 CP, M4 50 CP, M4 40 CP, MC 40 CP
Not Shown	572132	COMPLETE MAST		1	469631, 555051, 572148	MC 50 CP, MCE 40 CP, M4 50 CP, M4 40 CP, MC 40 CP
Not Shown	572139OPT	COMPLETE MAST		1	555058, 469638, 572155	MC 50 CP, MCE 40 CP, M4 50 CP, M4 40 CP, MC 40 CP
Not Shown	560954	Complete triple mast with total free lift		1		MC 50 CP, MCE 40 CP, M4 50 CP, M4 40 CP, MC 40 CP
Not Shown	560955	Complete triple mast with total free lift		1		MC 50 CP, MCE 40 CP, M4 50 CP, M4 40 CP, MC 40 CP
Not Shown	572137	COMPLETE MAST		1	572153, 555056, 469636	MC 50 CP, MCE 40 CP, M4 50 CP, M4 40 CP, MC 40 CP
Not Shown	572138	COMPLETE MAST		1	555057, 469637, 572154	MC 50 CP, MCE 40 CP, M4 50 CP, M4 40 CP, MC 40 CP
Not Shown	469634	COMPLETE MAST		1		MC 50 CP, MCE 40 CP, M4 50 CP, M4 40 CP, MC 40 CP
Not Shown	572134	COMPLETE MAST		1	469633, 572150, 555053	MC 50 CP, MCE 40 CP, M4 50 CP, M4 40 CP, MC 40 CP
Not Shown	572136	COMPLETE MAST		1	572152, 469635, 555055	MC 50 CP, MCE 40 CP, M4 50 CP, M4 40 CP, MC 40 CP
1	23606	Screw	H,M 4- 6	1		MC 50 CP, MCE 40 CP, M4 50 CP, M4 40 CP, MC 40 CP
2	23607	Drum		1		MC 50 CP, MCE 40 CP, M4 50 CP, M4 40 CP, MC 40 CP
3	23609	Cap		1		MC 50 CP, MCE 40 CP, M4 50 CP, M4 40 CP, MC 40 CP
4	23612	Connection		1		MC 50 CP, MCE 40 CP, M4 50 CP, M4 40 CP, MC 40 CP
5	25713	Screw	HM6	1		MC 50 CP, MCE 40 CP, M4 50 CP, M4 40 CP, MC 40 CP

_DETAIL

10 EA 13

HYDRAULIQUE (Détails)
HYDRAULIK (Einzelteile)
HIDRAULICO (Detalles)
HYDRAULIC (Details)

MC 30 CP



10
D11



Item	Part No.	Name	Characteristics	Qty	Superseded PartNumber	Machine applicability
1	182916	CYLINDER BODY		1		MC 50 CP, MC 40 CP
2	196425	Cylinder rod		1	165803	MC 50 CP, MC 40 CP
3	61171	Cylinder piston		1		MC 50 CP, MC 40 CP
4	2008	O ring		1		MC 50 CP, MC 40 CP
5	61169	Watertight seal		1		MC 50 CP, MC 40 CP
6	227802	Nut	H,FR,M18-8-ZN8/C	1	44563	MC 50 CP, MC 40 CP
7	186752	Locking ring		1		MC 50 CP, MC 40 CP
8	5045	O ring		1		MC 50 CP, MC 40 CP
9	186925	Anti-extrusion seal		1		MC 50 CP, MC 40 CP
10	1639	Watertight seal		1		MC 50 CP, MC 40 CP
11	1640	Watertight seal		1		MC 50 CP, MC 40 CP
12	196421	Cylinder	60X25 C 270	1	78703, 186006	MC 50 CP, MC 40 CP
13	186757	Seal kit		1		MC 50 CP, MC 40 CP
14	169437	Watertight seal		1		MC 50 CP, MC 40 CP
15	196425	Cylinder rod		1	165803	MC 50 CP, MC 40 CP
16	196421	Cylinder	60X25 C 270	1	78703, 186006	MC 50 CP, MC 40 CP

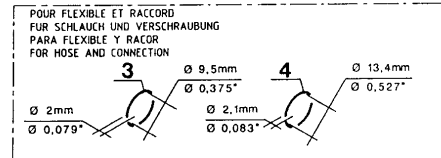
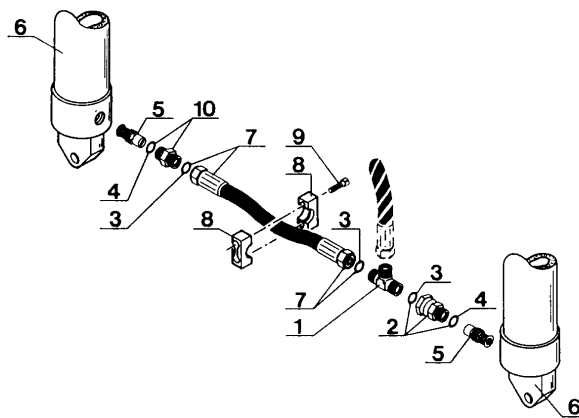
10 A 474

HYDRAULIQUE (Branchement vérin d'élévation)
HYDRAULIK (Rohranschluss hubzylinder)
HIDRAULICO (Derivación cilindro de elevación)
HYDRAULIC (Branch connection lifting cylinder)

M2 26 CP UK
M2 30 CP UK
M4 26 CP UK
M4 30 CP UK

MC 30 CP

M2 26 CP
M2 30 CP
M4 26 CP
M4 30 CP



11
F7



Item	Part No.	Name	Characteristics	Qty	Superseded PartNumber	Machine applicability
Not Shown	468663	COMPLETE MAST		1		MC 30 CP
Not Shown	469774	COMPLETE MAST		1		MC 30 CP
Not Shown	468662	COMPLETE MAST		1		MC 30 CP
Not Shown	468661	COMPLETE MAST		1		MC 30 CP
Not Shown	468660	COMPLETE MAST		1		MC 30 CP
Not Shown	469775	COMPLETE MAST		1		MC 30 CP
Not Shown	469776	COMPLETE MAST		1		MC 30 CP
Not Shown	469780	COMPLETE MAST		1		MC 30 CP
Not Shown	469779	COMPLETE MAST		1		MC 30 CP
Not Shown	469778	COMPLETE MAST		1		MC 30 CP
Not Shown	469777	COMPLETE MAST		1		MC 30 CP
Not Shown	468658	COMPLETE MAST		1		MC 30 CP
Not Shown	468659	COMPLETE MAST		1		MC 30 CP
Not Shown	468657	COMPLETE MAST		1		MC 30 CP
1	169376	Cylinder	SE D 50 C1200 CH.M16X150	1		MC 30 CP
2	169377	Cylinder	SE D 50 C1300	1		MC 30 CP
3	169378	Cylinder	SE D 50 C1400 CH.M16X150	1		MC 30 CP
4	169380	Cylinder	SE D 50 C1525 CH.M16X150	1		MC 30 CP
5	164077	Cylinder	SE D 50 C1650 CHROM	1		MC 30 CP
6	164078	Cylinder	SE D 50 C1800 CHROM	1		MC 30 CP
7	169383	Cylinder	SE D 50 C1950	1		MC 30 CP
8	165142	ring		1		MC 30 CP
9	179305	Replaced by 6514320720 71		1	165143	MC 30 CP
10	197704	Retaining ring		1		MC 30 CP
11	165141	O ring		1		MC 30 CP
12	165140	Fastening ring		1		MC 30 CP
13	61597	Seal		1		MC 30 CP
14	6193	Watertight seal	-	1		MC 30 CP
15	165144	Seal kit		1		MC 30 CP

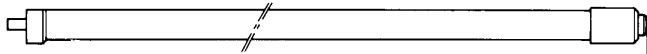
Item	Part No.	Name	Characteristics	Qty	Superseded PartNumber	Machine applicability
Not Shown	468669	COMPLETE MAST		1	468381	M4 26 CP, M2 30 CP, M2 26 CP, M4 30 CP, MC 30 CP
Not Shown	468670	NO LONGER AVAILABLE		1		M4 26 CP, M2 30 CP, M2 26 CP, M4 30 CP, MC 30 CP
Not Shown	570336	Triple mast		1		M4 26 CP, M2 30 CP, M2 26 CP, M4 30 CP, MC 30 CP
Not Shown	468669	COMPLETE MAST		1	468381	M4 26 CP, M2 30 CP, M2 26 CP, M4 30 CP, MC 30 CP
1	164084	Cylinder	SE D 60 C1500 CHROM	1		M4 26 CP, M2 30 CP, M2 26 CP, M4 30 CP, MC 30 CP
2	169670	O ring		1		M4 26 CP, M2 30 CP, M2 26 CP, M4 30 CP, MC 30 CP
3	169671	Locking ring		1		M4 26 CP, M2 30 CP, M2 26 CP, M4 30 CP, MC 30 CP
4	5307	Watertight seal	-	1		M4 26 CP, M2 30 CP, M2 26 CP, M4 30 CP, MC 30 CP
5	5308	Seal	-	1		M4 26 CP, M2 30 CP, M2 26 CP, M4 30 CP, MC 30 CP
6	197704	Retaining ring		1		M4 26 CP, M2 30 CP, M2 26 CP, M4 30 CP, MC 30 CP
7	169673	Cylinder piston		1		M4 26 CP, M2 30 CP, M2 26 CP, M4 30 CP, MC 30 CP
8	169672	Ring		1		M4 26 CP, M2 30 CP, M2 26 CP, M4 30 CP, MC 30 CP
9	169674	Seal kit		1		M4 26 CP, M2 30 CP, M2 26 CP, M4 30 CP, MC 30 CP

10 C 408

HYDRAULIQUE (Vérin d'élévation)
 HYDRAULIK (Hubzylinder)
 HIDRAULICO (Cilindro de elevación)
 HYDRAULIC (Lifting cylinder)

MC 50 CP

M4 50 CP



COURSE - HUB - CARRERA - STROKE	
3,00m - 1500mm (59,06")	4,00m - 2000mm (78,74")
3,30m - 1650mm (64,96")	4,50m - 2250mm (88,58")
3,50m - 1750mm (68,90")	5,00m - 2500mm (98,42")
3,70m - 1850mm (72,83")	

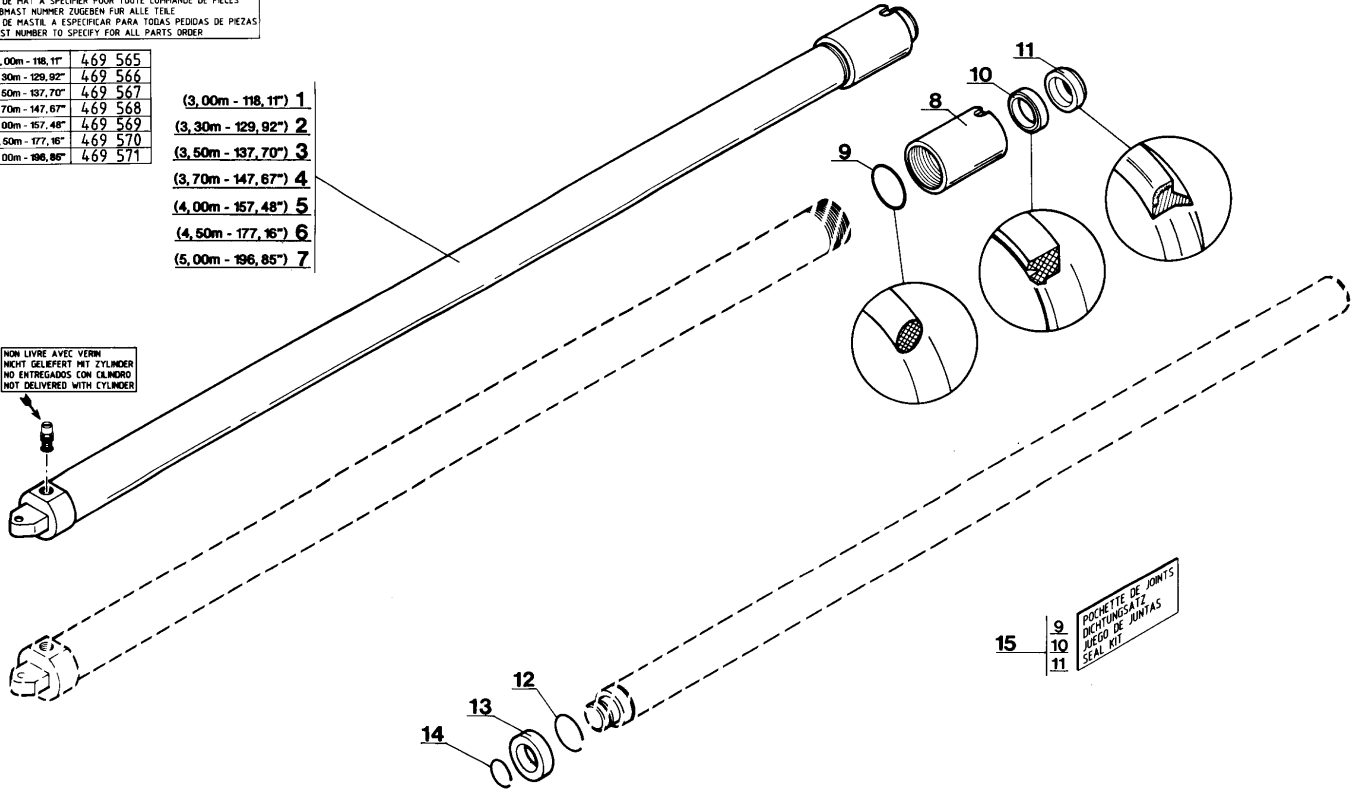
∅ 65 mm (2,56")

▲ N° DE MAT. A SPECIFIER POUR TOUTE COMMANDE DE PIÈCES
 HYDRAULIC NUMBER TO SPECIFY FOR ALL PARTS ORDER

3,00m - 118,11"	469 565
3,30m - 129,92"	469 566
3,50m - 137,70"	469 567
3,70m - 147,67"	469 568
4,00m - 157,48"	469 569
4,50m - 177,16"	469 570
5,00m - 196,85"	469 571

- (3,00m - 118,11") 1
- (3,30m - 129,92") 2
- (3,50m - 137,70") 3
- (3,70m - 147,67") 4
- (4,00m - 157,48") 5
- (4,50m - 177,16") 6
- (5,00m - 196,85") 7

NON LIVRE AVEC VERIN
 NICHT GELIEFERT MIT ZYLINDER
 NO ENTREGADOS CON CILINDRO
 NOT DELIVERED WITH CYLINDER



POUR LE KIT DE JOINTS
 DICHTUNGSSETZ
 JUEGO DE JUNTAS
 SEAL KIT

13

L8

Item	Part No.	Name	Characteristics	Qty	Superseded PartNumber	Machine applicability
Not Shown	469732	COMPLETE MAST		1		MC 30 CP
Not Shown	469733	COMPLETE MAST		1		MC 30 CP
Not Shown	468664	COMPLETE MAST		1		MC 30 CP
Not Shown	468665	COMPLETE MAST		1		MC 30 CP
Not Shown	468667	COMPLETE MAST		1		MC 30 CP
Not Shown	468666	COMPLETE MAST		1		MC 30 CP
Not Shown	468668	COMPLETE MAST		1		MC 30 CP
Not Shown	469734	COMPLETE MAST		1		MC 30 CP
Not Shown	469736	In attesa di creazione		1		MC 30 CP
Not Shown	469735	COMPLETE MAST		1		MC 30 CP
1	169415	Cylinder	SE D 90 C 750 ISO6149	1		MC 30 CP
2	169416	Cylinder	SE D 90 C 825 ISO6149	1		MC 30 CP
3	169417	HYDRAULIC CYLINDER		1		MC 30 CP
4	169418	Cylinder	SE D 90 C 955 ISO6149	1		MC 30 CP
5	169419	Cylinder	SE D 90 C1050 ISO6149	1		MC 30 CP
6	170987	Snap ring		1		MC 30 CP
7	128622	"O" ring		1	170411	MC 30 CP
8	170415	Socket		1		MC 30 CP
9	5303	Watertight seal	-	1		MC 30 CP
10	5304	Cylinder seal		1	170413, 579720	MC 30 CP
11	170414	Seal kit		1		MC 30 CP

Item	Part No.	Name	Characteristics	Qty	Superseded PartNumber	Machine applicability
1	186027	HYDRAULIC CYLINDER		1	182360	M4 26 CP, M2 30 CP, M2 26 CP, M4 30 CP
2	186014	Tilting cylinder		1	77997	M4 26 CP, M2 30 CP, M2 26 CP, M4 30 CP
3	180751	Complete ram end tube		1		M4 26 CP, M2 30 CP, M2 26 CP, M4 30 CP
4	77409	Ring		1		M4 26 CP, M2 30 CP, M2 26 CP, M4 30 CP
5	182361	CYLINDER BODY		1		M4 26 CP, M2 30 CP, M2 26 CP, M4 30 CP
6	227110	Bushing		1		M4 26 CP, M2 30 CP, M2 26 CP, M4 30 CP
7	169437	Watertight seal		1		M4 26 CP, M2 30 CP, M2 26 CP, M4 30 CP
8	163656	Cylinder rod		1		M4 26 CP, M2 30 CP, M2 26 CP, M4 30 CP
9	180774	Ring	40X65X50	1		M4 26 CP, M2 30 CP, M2 26 CP, M4 30 CP
10	32407	O ring		1		M4 26 CP, M2 30 CP, M2 26 CP, M4 30 CP
11	198526	Cylinder piston		1		M4 26 CP, M2 30 CP, M2 26 CP, M4 30 CP
12	19953	Seal		1		M4 26 CP, M2 30 CP, M2 26 CP, M4 30 CP
13	31717	Nut	HK ,M30-200 ZN	1		M4 26 CP, M2 30 CP, M2 26 CP, M4 30 CP
14	61699	PIN		1		M4 26 CP, M2 30 CP, M2 26 CP, M4 30 CP
15	186755	Fastening ring		1		M4 26 CP, M2 30 CP, M2 26 CP, M4 30 CP
16	4040	Seal		1		M4 26 CP, M2 30 CP, M2 26 CP, M4 30 CP
17	182268	Anti-extrusion seal		1		M4 26 CP, M2 30 CP, M2 26 CP, M4 30 CP
18	5316	Watertight seal		1		M4 26 CP, M2 30 CP, M2 26 CP, M4 30 CP
19	1878	Watertight seal		1		M4 26 CP, M2 30 CP, M2 26 CP, M4 30 CP
20	19959	Nut		1		M4 26 CP, M2 30 CP, M2 26 CP, M4 30 CP
21	186760	Seal kit		1		M4 26 CP, M2 30 CP, M2 26 CP, M4 30 CP

Item	Part No.	Name	Characteristics	Qty	Superseded PartNumber	Machine applicability
1	78800	Radiator		1		MCE 40 CP, M2 26 CP UK, M4 26 CP, M4 50 CP, M4 30 CP UK, M2 30 CP, M2 30 CP UK, M2 26 CP, M4 30 CP, MC 40 CP, MC 50 CP, M4 40 CP, MC 30 CP, M4 26 CP UK
2	189953	Radiator cap		1	485560, 87615, 561509	MCE 40 CP, M2 26 CP UK, M4 26 CP, M4 50 CP, M4 30 CP UK, M2 30 CP, M2 30 CP UK, M2 26 CP, M4 30 CP, MC 40 CP, MC 50 CP, M4 40 CP, MC 30 CP, M4 26 CP UK
3	217086	Plug connection		1		MCE 40 CP, M2 26 CP UK, M4 26 CP, M4 50 CP, M4 30 CP UK, M2 30 CP, M2 30 CP UK, M2 26 CP, M4 30 CP, MC 40 CP, MC 50 CP, M4 40 CP, MC 30 CP, M4 26 CP UK
4	76671	Hose		1		MCE 40 CP, M2 26 CP UK, M4 26 CP, M4 50 CP, M4 30 CP UK, M2 30 CP, M2 30 CP UK, M2 26 CP, M4 30 CP, MC 40 CP, MC 50 CP, M4 40 CP, MC 30 CP, M4 26 CP UK
5	76673	Hose		1		MCE 40 CP, M2 26 CP UK, M4 26 CP, M4 50 CP, M4 30 CP UK, M2 30 CP, M2 30 CP UK, M2 26 CP, M4 30 CP, MC 40 CP, MC 50 CP, M4 40 CP, MC 30 CP, M4 26 CP UK
6	195728	Clamp		1		MCE 40 CP, M2 26 CP UK, M4 26 CP, M4 50 CP, M4 30 CP UK, M2 30 CP, M2 30 CP UK, M2 26 CP, M4 30 CP, MC 40 CP, MC 50 CP, M4 40 CP, MC 30 CP, M4 26 CP UK
7	171407	Screw	M10	1		MCE 40 CP, M2 26 CP UK, M4 26 CP, M4 50 CP, M4 30 CP UK, M2 30 CP, M2 30 CP UK, M2 26 CP, M4 30 CP, MC 40 CP, MC 50 CP, M4 40 CP, MC 30 CP, M4 26 CP UK
8	48124	Washer	SP 14,5x45x4 ZN	1		MCE 40 CP, M2 26 CP UK, M4 26 CP, M4 50 CP, M4 30 CP UK, M2 30 CP, M2 30 CP UK, M2 26 CP, M4 30 CP, MC 40 CP, MC 50 CP, M4 40 CP, MC 30 CP, M4 26 CP UK
9	202	Rubber washer	13x45x5	1		MCE 40 CP, M2 26 CP UK, M4 26 CP, M4 50 CP, M4 30 CP UK, M2 30 CP, M2 30 CP UK, M2 26 CP, M4 30 CP, MC 40 CP, MC 50 CP, M4 40 CP, MC 30 CP, M4 26 CP UK
10	61675	Washer	L10	1		MCE 40 CP, M2 26 CP UK, M4 26 CP, M4 50 CP, M4 30 CP UK, M2 30 CP, M2 30 CP UK, M2 26 CP, M4 30 CP, MC 40 CP, MC 50 CP, M4 40 CP, MC 30 CP, M4 26 CP UK
11	56354	Nut	M10	1		MCE 40 CP, M2 26 CP UK, M4 26 CP, M4 50 CP, M4 30 CP UK, M2 30 CP, M2 30 CP UK, M2 26 CP, M4 30 CP, MC 40 CP, MC 50 CP, M4 40 CP, MC 30 CP, M4 26 CP UK
12	77772	Tie bar		1		MCE 40 CP, M2 26 CP UK, M4 26 CP, M4 50 CP, M4 30 CP UK, M2 30 CP, M2 30 CP UK, M2 26 CP, M4 30 CP, MC 40 CP, MC 50 CP, M4 40 CP, MC 30 CP, M4 26 CP UK
13	77972	Tie bar		1		MCE 40 CP, M2 26 CP UK, M4 26 CP, M4 50 CP, M4 30 CP UK, M2 30 CP, M2 30 CP UK, M2 26 CP, M4 30 CP, MC 40 CP, MC 50 CP, M4 40 CP, MC 30 CP, M4 26 CP UK

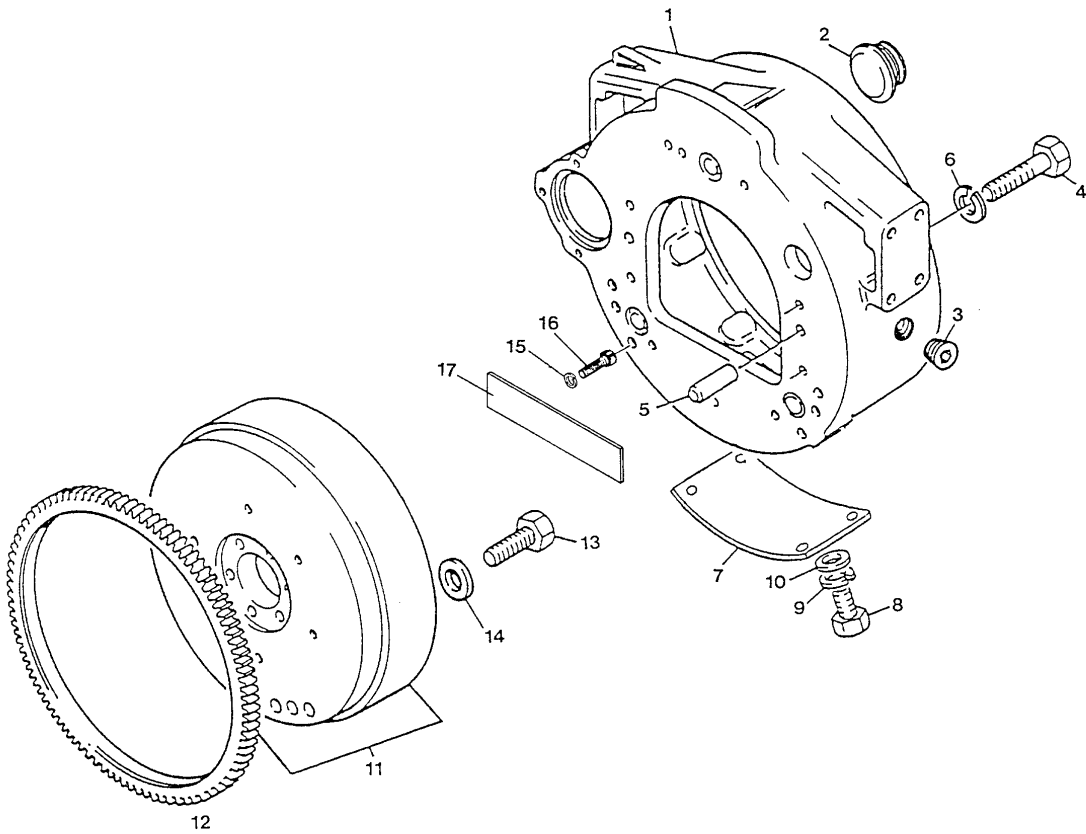
AP 226

CARTER VOLANT-MOTEUR
SCHWUNGRADGEHÄUSE
CARTER VOLANTE-MOTOR
FLYWHEEL HOUSING

M2 26 CP UK
M2 30 CP UK
M4 26 CP UK
M4 30 CP UK

MC 30 CP
MC 40 CP
MC 50 CP
MC 60 CP
MCE 40 CP

M2 26 CP
M2 30 CP
M4 26 CP
M4 30 CP
M4 40 CP
M4 50 CP



4
K3



		CULASSE ZYLINDERKOPF CULATA CYLINDER HEAD	Q.TE - Menge - Cant - Q.TY												AP 320						
1/2			MC 40 CP	MC 50 CP	MC 60 CP	MCE 40 CP	M2 26 CP UK	M4 26 CP UK	M2 26 CP	M2 30 CP	M4 26 CP	M4 30 CP	M4 40 CP	M4 50 CP	M2 30 CP UK	M4 30 CP UK	MC 30 CP				
Rep Hlnw Fig Item	NUMERO TEIL - NR NUMERO PART - NR	DESIGNATION BEZEICHNUNG DESCRIPCION DESCRIPTION																			
1	109 759	Culasse - Zylinderkopf - Culata - Cylinder head	1	1	1	1	1	1	1	1	1	1	1	1	1	1	1				
4	133 651	Bouchon - Stopfen - Tapón - Plug	1	1	1	1	1	1	1	1	1	1	1	1	1	1	1				
5	107 338	Soupape admission - Einlassventil - Válvula de admisión - Inlet valve	4	4	4	4	4	4	4	4	4	4	4	4	4	4	4				
5	107 339	Soupape admission (J) - Einlassventil (+0,076 mm - +0,003") Válvula de admisión - Inlet valve	X	X	X	X	X	X	X	X	X	X	X	X	X	X	X				
5	107 340	Soupape admission (J) - Einlassventil (+0,38 mm - +0,015") Válvula de admisión - Inlet valve	X	X	X	X	X	X	X	X	X	X	X	X	X	X	X				
5	107 341	Soupape admission (J) - Einlassventil (+0,76 mm - +0,03") Válvula de admisión - Inlet valve	X	X	X	X	X	X	X	X	X	X	X	X	X	X	X				
6	133 788	Soupape échappement - Auslassventil - Válvula de escape - Exhaust valve	4	4	4	4	4	4	4	4	4	4	4	4	4	4	4				
6	133 789	Soupape échappement (J) - Auslassventil (+0,076 mm - +0,003") Válvula de escape - Exhaust valve	X	X	X	X	X	X	X	X	X	X	X	X	X	X	X				
6	133 790	Soupape échappement (J) - Auslassventil (+0,38 mm - +0,015") Válvula de escape - Exhaust valve	X	X	X	X	X	X	X	X	X	X	X	X	X	X	X				
6	133 791	Soupape échappement (J) - Auslassventil (+0,76 mm - +0,03") Válvula de escape - Exhaust valve	X	X	X	X	X	X	X	X	X	X	X	X	X	X	X				
7	138 227	Chapeau - Einsatzstück - Inserto - Insert	X	X	X	X	X	X	X	X	X	X	X	X	X	X	X				
8	109 827	Rondelle - Unterlagscheibe - Arandela - Washer	8	8	8	8	8	8	8	8	8	8	8	8	8	8	8				
9	138 214	Ressort - Feder - Resorte - Spring	8	8	8	8	8	8	8	8	8	8	8	8	8	8	8				
10	138 215	Ressort - Feder - Resorte - Spring	8	8	8	8	8	8	8	8	8	8	8	8	8	8	8				
11	133 857	Joint d'étanchéité - Dichtungsring - Junta de estanqueidad - Seal	4	4	4	4	4	4	4	4	4	4	4	4	4	4	4				
14	108 580	Coupelle - Treibofen - Copela - Cup	8	8	8	8	8	8	8	8	8	8	8	8	8	8	8				
15	133 836	Demie-lune - Splint - Chaveta - Cotter	8	8	8	8	8	8	8	8	8	8	8	8	8	8	8				
25	473 243	Vis - Schraube - Tornillo - Screw	8	8	8	8	8	8	8	8	8	8	8	8	8	8	8				
26	473 244	Vis - Schraube - Tornillo - Screw	12	12	12	12	12	12	12	12	12	12	12	12	12	12	12				
27	473 245	Vis - Schraube - Tornillo - Screw	2	2	2	2	2	2	2	2	2	2	2	2	2	2	2				

L2
↓

1 2 3 4 5 6 7 8 9 10 11 12 13 14 15 16 17 18

		CULASSE ZYLINDERKOPF CULATA CYLINDER HEAD	Q.TE - Menge - Cant - Q.TY												AP 396				
1/2	Rep Hinw Fig Item	NUMERO TEIL - NR NUMERO PART - NR	DESIGNATION BEZEICHNUNG DESCRIPCION DESCRIPTION	MC 40 CP	MC 50 CP	MC 60 CP	MCE 40 CP	M2 26 CP UK	M4 26 CP UK	M2 26 CP	M2 30 CP	M4 26 CP	M4 30 CP	M4 40 CP	M4 50 CP	M2 30 CP UK	M4 30 CP UK	MC 30 CP	
	1	475 323	Culasse - Zylinderkopf - Culata - Cylinder head	1	1	1	1	1	1	1	1	1	1	1	1	1	1	1	
	4	139 365	Bouchon - Stopfen - Tapón - Plug	1	1	1	1	1	1	1	1	1	1	1	1	1	1	1	
	5	138 208	Soupape admission - Einlassventil - Válvula de admisión - Inlet valve	4	4	4	4	4	4	4	4	4	4	4	4	4	4	4	
	5	476 188	Soupape admission(J) - Einlassventil (+0,076 mm - +0,003") Válvula de admisión - Inlet valve	X	X	X	X	X	X	X	X	X	X	X	X	X	X	X	
	5	476 189	Soupape admission(J) - Einlassventil (+0,38 mm - +0,015") Válvula de admisión - Inlet valve	X	X	X	X	X	X	X	X	X	X	X	X	X	X	X	
	5	476 190	Soupape admission(J) - Einlassventil (+0,76 mm - +0,03") Válvula de admisión - Inlet valve	X	X	X	X	X	X	X	X	X	X	X	X	X	X	X	
	6	109 299	Soupape échappement - Auslassventil - Válvula de escape - Exhaust valve	4	4	4	4	4	4	4	4	4	4	4	4	4	4	4	
	6	133 789	Soupape échappement (J) - Auslassventil (+0,076 mm - +0,003") Válvula de escape - Exhaust valve	X	X	X	X	X	X	X	X	X	X	X	X	X	X	X	
	6	133 790	Soupape échappement (J) - Auslassventil (+0,38 mm - +0,015") Válvula de escape - Exhaust valve	X	X	X	X	X	X	X	X	X	X	X	X	X	X	X	
	6	133 791	Soupape échappement (J) - Auslassventil (+0,76 mm - +0,03") Válvula de escape - Exhaust valve	X	X	X	X	X	X	X	X	X	X	X	X	X	X	X	
	7	138 227	Chapeau - Einsatzstück - Inserto - Insert	4	4	4	4	4	4	4	4	4	4	4	4	4	4	4	
	8	109 827	Rondelle - Unterlagscheibe - Arandela - Washer	8	8	8	8	8	8	8	8	8	8	8	8	8	8	8	
	9	138 214	Ressort - Feder - Resorte - Spring	8	8	8	8	8	8	8	8	8	8	8	8	8	8	8	
	10	138 215	Ressort - Feder - Resorte - Spring	8	8	8	8	8	8	8	8	8	8	8	8	8	8	8	
	11	133 857	Joint d'étanchéité - Dichtungsring - Junta de estanqueidad - Seal	8	8	8	8	8	8	8	8	8	8	8	8	8	8	8	
	14	108 580	Coupelle - Treibofen - Copela - Cup	8	8	8	8	8	8	8	8	8	8	8	8	8	8	8	
	15	133 836	Demie-lune - Splint - Chaveta - Cotter	8	8	8	8	8	8	8	8	8	8	8	8	8	8	8	
	25	473 243	Vis - Schraube - Tornillo - Screw	2	2	2	2	2	2	2	2	2	2	2	2	2	2	2	
	26	473 244	Vis - Schraube - Tornillo - Screw	12	12	12	12	12	12	12	12	12	12	12	12	12	12	12	
	27	473 245	Vis - Schraube - Tornillo - Screw	8	8	8	8	8	8	8	8	8	8	8	8	8	8	8	
	31	107 343	Joint torique - "O" ring - Junta torica - "O" ring	4	4	4	4	4	4	4	4	4	4	4	4	4	4	4	
	36	109 440	Guide (K) - Führung - Guía - Guide	4	4	4	4	4	4	4	4	4	4	4	4	4	4	4	

B3

1 2 3 4 5 6 7 8 9 10 11 12 13 14 15 16 17 18

Item	Part No.	Name	Characteristics	Qty	Superseded PartNumber	Machine applicability
77	189956	null		1		MCE 40 CP, M2 26 CP UK, M4 26 CP, M4 50 CP, M4 30 CP UK, M2 30 CP, M2 30 CP UK, M2 26 CP, M4 30 CP, MC 40 CP, MC 60 CP, MC 50 CP, M4 40 CP, MC 30 CP, M4 26 CP UK
78	171155	O-Ring		1		MCE 40 CP, M2 26 CP UK, M4 26 CP, M4 50 CP, M4 30 CP UK, M2 30 CP, M2 30 CP UK, M2 26 CP, M4 30 CP, MC 40 CP, MC 60 CP, MC 50 CP, M4 40 CP, MC 30 CP, M4 26 CP UK
79	473373	Complete lower seating		1		MCE 40 CP, M2 26 CP UK, M4 26 CP, M4 50 CP, M4 30 CP UK, M2 30 CP, M2 30 CP UK, M2 26 CP, M4 30 CP, MC 40 CP, MC 60 CP, MC 50 CP, M4 40 CP, MC 30 CP, M4 26 CP UK
80	109565	Suction strainer		1		MCE 40 CP, M2 26 CP UK, M4 26 CP, M4 50 CP, M4 30 CP UK, M2 30 CP, M2 30 CP UK, M2 26 CP, M4 30 CP, MC 40 CP, MC 60 CP, MC 50 CP, M4 40 CP, MC 30 CP, M4 26 CP UK
81	473214	Seal		1		MCE 40 CP, M2 26 CP UK, M4 26 CP, M4 50 CP, M4 30 CP UK, M2 30 CP, M2 30 CP UK, M2 26 CP, M4 30 CP, MC 40 CP, MC 60 CP, MC 50 CP, M4 40 CP, MC 30 CP, M4 26 CP UK
82	705009	Transmission oil pressure pressure switch		1		MCE 40 CP, M2 26 CP UK, M4 26 CP, M4 50 CP, M4 30 CP UK, M2 30 CP, M2 30 CP UK, M2 26 CP, M4 30 CP, MC 40 CP, MC 60 CP, MC 50 CP, M4 40 CP, MC 30 CP, M4 26 CP UK
83	475086	Plug		1		MCE 40 CP, M2 26 CP UK, M4 26 CP, M4 50 CP, M4 30 CP UK, M2 30 CP, M2 30 CP UK, M2 26 CP, M4 30 CP, MC 40 CP, MC 60 CP, MC 50 CP, M4 40 CP, MC 30 CP, M4 26 CP UK
84	35348	Copper joint		1	479274, 526677	MCE 40 CP, M2 26 CP UK, M4 26 CP, M4 50 CP, M4 30 CP UK, M2 30 CP, M2 30 CP UK, M2 26 CP, M4 30 CP, MC 40 CP, MC 60 CP, MC 50 CP, M4 40 CP, MC 30 CP, M4 26 CP UK

Item	Part No.	Name	Characteristics	Qty	Superseded PartNumber	Machine applicability
1	133755	filter		1		MCE 40 CP, M2 26 CP UK, M4 26 CP, M4 50 CP, M4 30 CP UK, M2 30 CP, M2 30 CP UK, M2 26 CP, M4 30 CP, MC 40 CP, MC 60 CP, MC 50 CP, M4 40 CP, MC 30 CP, M4 26 CP UK
2	133919	Filter head		1		MCE 40 CP, M2 26 CP UK, M4 26 CP, M4 50 CP, M4 30 CP UK, M2 30 CP, M2 30 CP UK, M2 26 CP, M4 30 CP, MC 40 CP, MC 60 CP, MC 50 CP, M4 40 CP, MC 30 CP, M4 26 CP UK
3	138261	Seal		1	107256, 138260, 138262	MCE 40 CP, M2 26 CP UK, M4 26 CP, M4 50 CP, M4 30 CP UK, M2 30 CP, M2 30 CP UK, M2 26 CP, M4 30 CP, MC 40 CP, MC 60 CP, MC 50 CP, M4 40 CP, MC 30 CP, M4 26 CP UK
4	138161	Stud-bolt		1	109850	MCE 40 CP, M2 26 CP UK, M4 26 CP, M4 50 CP, M4 30 CP UK, M2 30 CP, M2 30 CP UK, M2 26 CP, M4 30 CP, MC 40 CP, MC 60 CP, MC 50 CP, M4 40 CP, MC 30 CP, M4 26 CP UK
5	160572	Nut	H,7/16-UNF-8-ZN5/B	1	134488, 133642, 448056, 108329, 139373	MCE 40 CP, M2 26 CP UK, M4 26 CP, M4 50 CP, M4 30 CP UK, M2 30 CP, M2 30 CP UK, M2 26 CP, M4 30 CP, MC 40 CP, MC 60 CP, MC 50 CP, M4 40 CP, MC 30 CP, M4 26 CP UK
7	133823	WASHER		1		MCE 40 CP, M2 26 CP UK, M4 26 CP, M4 50 CP, M4 30 CP UK, M2 30 CP, M2 30 CP UK, M2 26 CP, M4 30 CP, MC 40 CP, MC 60 CP, MC 50 CP, M4 40 CP, MC 30 CP, M4 26 CP UK
31	138249	Plate		1		MCE 40 CP, M2 26 CP UK, M4 26 CP, M4 50 CP, M4 30 CP UK, M2 30 CP, M2 30 CP UK, M2 26 CP, M4 30 CP, MC 40 CP, MC 60 CP, MC 50 CP, M4 40 CP, MC 30 CP, M4 26 CP UK
32	138261	Seal		1	107256, 138260, 138262	MCE 40 CP, M2 26 CP UK, M4 26 CP, M4 50 CP, M4 30 CP UK, M2 30 CP, M2 30 CP UK, M2 26 CP, M4 30 CP, MC 40 CP, MC 60 CP, MC 50 CP, M4 40 CP, MC 30 CP, M4 26 CP UK
37	107697	STUD-BOLT		1		MCE 40 CP, M2 26 CP UK, M4 26 CP, M4 50 CP, M4 30 CP UK, M2 30 CP, M2 30 CP UK, M2 26 CP, M4 30 CP, MC 40 CP, MC 60 CP, MC 50 CP, M4 40 CP, MC 30 CP, M4 26 CP UK
38	160572	Nut	H,7/16-UNF-8-ZN5/B	1	134488, 133642, 448056, 108329, 139373	MCE 40 CP, M2 26 CP UK, M4 26 CP, M4 50 CP, M4 30 CP UK, M2 30 CP, M2 30 CP UK, M2 26 CP, M4 30 CP, MC 40 CP, MC 60 CP, MC 50 CP, M4 40 CP, MC 30 CP, M4 26 CP UK
39	73207	Washer	W7/16 ZN12C	1	133698, 134450	MCE 40 CP, M2 26 CP UK, M4 26 CP, M4 50 CP, M4 30 CP UK, M2 30 CP, M2 30 CP UK, M2 26 CP, M4 30 CP, MC 40 CP, MC 60 CP, MC 50 CP, M4 40 CP, MC 30 CP, M4 26 CP UK

Item	Part No.	Name	Characteristics	Qty	Superseded PartNumber	Machine applicability
1	133929	WATER PUMP		1	109460	MCE 40 CP, M2 26 CP UK, M4 26 CP, M4 50 CP, M4 30 CP UK, M2 30 CP, M2 30 CP UK, M2 26 CP, M4 30 CP, MC 40 CP, MC 60 CP, MC 50 CP, M4 40 CP, MC 30 CP, M4 26 CP UK
6	107368	CIRCLIP		1	657889	MCE 40 CP, M2 26 CP UK, M4 26 CP, M4 50 CP, M4 30 CP UK, M2 30 CP, M2 30 CP UK, M2 26 CP, M4 30 CP, MC 40 CP, MC 60 CP, MC 50 CP, M4 40 CP, MC 30 CP, M4 26 CP UK
13	133739	PLUG		1		MCE 40 CP, M2 26 CP UK, M4 26 CP, M4 50 CP, M4 30 CP UK, M2 30 CP, M2 30 CP UK, M2 26 CP, M4 30 CP, MC 40 CP, MC 60 CP, MC 50 CP, M4 40 CP, MC 30 CP, M4 26 CP UK
14	133635	Key		1	125238, 51423, 2780311MI, H124546	MCE 40 CP, M2 26 CP UK, M4 26 CP, M4 50 CP, M4 30 CP UK, M2 30 CP, M2 30 CP UK, M2 26 CP, M4 30 CP, MC 40 CP, MC 60 CP, MC 50 CP, M4 40 CP, MC 30 CP, M4 26 CP UK
15	109461	*		1		MCE 40 CP, M2 26 CP UK, M4 26 CP, M4 50 CP, M4 30 CP UK, M2 30 CP, M2 30 CP UK, M2 26 CP, M4 30 CP, MC 40 CP, MC 60 CP, MC 50 CP, M4 40 CP, MC 30 CP, M4 26 CP UK
16	134499	Nut		1	185613, 133639	MCE 40 CP, M2 26 CP UK, M4 26 CP, M4 50 CP, M4 30 CP UK, M2 30 CP, M2 30 CP UK, M2 26 CP, M4 30 CP, MC 40 CP, MC 60 CP, MC 50 CP, M4 40 CP, MC 30 CP, M4 26 CP UK
17	77711	Washer		1		MCE 40 CP, M2 26 CP UK, M4 26 CP, M4 50 CP, M4 30 CP UK, M2 30 CP, M2 30 CP UK, M2 26 CP, M4 30 CP, MC 40 CP, MC 60 CP, MC 50 CP, M4 40 CP, MC 30 CP, M4 26 CP UK
18	42322	Washer		1		MCE 40 CP, M2 26 CP UK, M4 26 CP, M4 50 CP, M4 30 CP UK, M2 30 CP, M2 30 CP UK, M2 26 CP, M4 30 CP, MC 40 CP, MC 60 CP, MC 50 CP, M4 40 CP, MC 30 CP, M4 26 CP UK
19	108562	HOUSING		1		MCE 40 CP, M2 26 CP UK, M4 26 CP, M4 50 CP, M4 30 CP UK, M2 30 CP, M2 30 CP UK, M2 26 CP, M4 30 CP, MC 40 CP, MC 60 CP, MC 50 CP, M4 40 CP, MC 30 CP, M4 26 CP UK
20	554594	Seal		1	107166, 133902	MCE 40 CP, M2 26 CP UK, M4 26 CP, M4 50 CP, M4 30 CP UK, M2 30 CP, M2 30 CP UK, M2 26 CP, M4 30 CP, MC 40 CP, MC 60 CP, MC 50 CP, M4 40 CP, MC 30 CP, M4 26 CP UK
21	49774	SCREW		1	133665, 550146, 133668, 134189, 108135, 88047	MCE 40 CP, M2 26 CP UK, M4 26 CP, M4 50 CP, M4 30 CP UK, M2 30 CP, M2 30 CP UK, M2 26 CP, M4 30 CP, MC 40 CP, MC 60 CP, MC 50 CP, M4 40 CP, MC 30 CP, M4 26 CP UK
22	40864	Nut	H,5/16-UNF-8-ZN5/B	1	134448, 83516, 106274, 135823, 139207, 134467, 125178, H103025, 133638, 133837	MCE 40 CP, M2 26 CP UK, M4 26 CP, M4 50 CP, M4 30 CP UK, M2 30 CP, M2 30 CP UK, M2 26 CP, M4 30 CP, MC 40 CP, MC 60 CP, MC 50 CP, M4 40 CP, MC 30 CP, M4 26 CP UK

Item	Part No.	Name	Characteristics	Qty	Superseded PartNumber	Machine applicability
72	54305	Screw	HM6	1		M2 26 CP UK, M4 30 CP UK, M2 30 CP UK, M4 26 CP UK
73	29469	Washer	M6	1		M2 26 CP UK, M4 30 CP UK, M2 30 CP UK, M4 26 CP UK
74	25714	Nut	M6	1		M2 26 CP UK, M4 30 CP UK, M2 30 CP UK, M4 26 CP UK
75	77993	Knee-joint		1		M2 26 CP UK, M4 30 CP UK, M2 30 CP UK, M4 26 CP UK
76	29483	Washer		1		M2 26 CP UK, M4 30 CP UK, M2 30 CP UK, M4 26 CP UK
77	54232	Nut	M5	1		M2 26 CP UK, M4 30 CP UK, M2 30 CP UK, M4 26 CP UK
78	78082	Cable		1		M2 26 CP UK, M4 30 CP UK, M2 30 CP UK, M4 26 CP UK
79	77993	Knee-joint		1		M2 26 CP UK, M4 30 CP UK, M2 30 CP UK, M4 26 CP UK
80	29483	Washer		1		M2 26 CP UK, M4 30 CP UK, M2 30 CP UK, M4 26 CP UK
81	54232	Nut	M5	1		M2 26 CP UK, M4 30 CP UK, M2 30 CP UK, M4 26 CP UK
82	78068	Rod		1		M2 26 CP UK, M4 30 CP UK, M2 30 CP UK, M4 26 CP UK
83	170153	Counter		1		M2 26 CP UK, M4 30 CP UK, M2 30 CP UK, M4 26 CP UK
84	57446	Screw	HM8	1		M2 26 CP UK, M4 30 CP UK, M2 30 CP UK, M4 26 CP UK
85	42325	Washer		1		M2 26 CP UK, M4 30 CP UK, M2 30 CP UK, M4 26 CP UK
86	58654	MECA pin	4x0,8x26 E	1	30497, 30498, 506256, 130470, 131508, H932169R1	M2 26 CP UK, M4 30 CP UK, M2 30 CP UK, M4 26 CP UK
88	58540	Screw	HM10	1		M2 26 CP UK, M4 30 CP UK, M2 30 CP UK, M4 26 CP UK
89	29437	Washer	M10	1		M2 26 CP UK, M4 30 CP UK, M2 30 CP UK, M4 26 CP UK
90	42232	null		1		M2 26 CP UK, M4 30 CP UK, M2 30 CP UK, M4 26 CP UK
91	56354	Nut	M10	1		M2 26 CP UK, M4 30 CP UK, M2 30 CP UK, M4 26 CP UK
92	78019	Axle		1		M2 26 CP UK, M4 30 CP UK, M2 30 CP UK, M4 26 CP UK
93	61674	null	M8	1		M2 26 CP UK, M4 30 CP UK, M2 30 CP UK, M4 26 CP UK
94	35000	Pin		1		M2 26 CP UK, M4 30 CP UK, M2 30 CP UK, M4 26 CP UK
95	78020	Brake cable kit		1		M2 26 CP UK, M4 30 CP UK, M2 30 CP UK, M4 26 CP UK
96	78069	BRACKET		1		M2 26 CP UK, M4 30 CP UK, M2 30 CP UK, M4 26 CP UK
97	60482	Screw	HM16	1		M2 26 CP UK, M4 30 CP UK, M2 30 CP UK, M4 26 CP UK

Item	Part No.	Name	Characteristics	Qty	Superseded PartNumber	Machine applicability
1	49329	Lever		1		MCE 40 CP, M2 26 CP UK, M4 26 CP, M4 50 CP, M4 30 CP UK, M2 30 CP, M2 30 CP UK, M2 26 CP, M4 30 CP, MC 40 CP, MC 60 CP, MC 50 CP, M4 40 CP, MC 30 CP, M4 26 CP UK
2	49371	Adjuster Ass'Y		1		MCE 40 CP, M2 26 CP UK, M4 26 CP, M4 50 CP, M4 30 CP UK, M2 30 CP, M2 30 CP UK, M2 26 CP, M4 30 CP, MC 40 CP, MC 60 CP, MC 50 CP, M4 40 CP, MC 30 CP, M4 26 CP UK
3	52099	Adjuster Ass'Y		1		MCE 40 CP, M2 26 CP UK, M4 26 CP, M4 50 CP, M4 30 CP UK, M2 30 CP, M2 30 CP UK, M2 26 CP, M4 30 CP, MC 40 CP, MC 60 CP, MC 50 CP, M4 40 CP, MC 30 CP, M4 26 CP UK
4	49370	Spring		1		MCE 40 CP, M2 26 CP UK, M4 26 CP, M4 50 CP, M4 30 CP UK, M2 30 CP, M2 30 CP UK, M2 26 CP, M4 30 CP, MC 40 CP, MC 60 CP, MC 50 CP, M4 40 CP, MC 30 CP, M4 26 CP UK
5	125090	Ball		1	49989, 49369, 4657	MCE 40 CP, M2 26 CP UK, M4 26 CP, M4 50 CP, M4 30 CP UK, M2 30 CP, M2 30 CP UK, M2 26 CP, M4 30 CP, MC 40 CP, MC 60 CP, MC 50 CP, M4 40 CP, MC 30 CP, M4 26 CP UK
6	125046	Rod axle		1	H39374D, 52100, 52094	MCE 40 CP, M2 26 CP UK, M4 26 CP, M4 50 CP, M4 30 CP UK, M2 30 CP, M2 30 CP UK, M2 26 CP, M4 30 CP, MC 40 CP, MC 60 CP, MC 50 CP, M4 40 CP, MC 30 CP, M4 26 CP UK
7	52103	Washer		1		MCE 40 CP, M2 26 CP UK, M4 26 CP, M4 50 CP, M4 30 CP UK, M2 30 CP, M2 30 CP UK, M2 26 CP, M4 30 CP, MC 40 CP, MC 60 CP, MC 50 CP, M4 40 CP, MC 30 CP, M4 26 CP UK
8	49373	Pin		1		MCE 40 CP, M2 26 CP UK, M4 26 CP, M4 50 CP, M4 30 CP UK, M2 30 CP, M2 30 CP UK, M2 26 CP, M4 30 CP, MC 40 CP, MC 60 CP, MC 50 CP, M4 40 CP, MC 30 CP, M4 26 CP UK
9	49140	Connecting Rod		1		MCE 40 CP, M2 26 CP UK, M4 26 CP, M4 50 CP, M4 30 CP UK, M2 30 CP, M2 30 CP UK, M2 26 CP, M4 30 CP, MC 40 CP, MC 60 CP, MC 50 CP, M4 40 CP, MC 30 CP, M4 26 CP UK
10	49330	Spacer		1		MCE 40 CP, M2 26 CP UK, M4 26 CP, M4 50 CP, M4 30 CP UK, M2 30 CP, M2 30 CP UK, M2 26 CP, M4 30 CP, MC 40 CP, MC 60 CP, MC 50 CP, M4 40 CP, MC 30 CP, M4 26 CP UK
11	49372	Pin		1		MCE 40 CP, M2 26 CP UK, M4 26 CP, M4 50 CP, M4 30 CP UK, M2 30 CP, M2 30 CP UK, M2 26 CP, M4 30 CP, MC 40 CP, MC 60 CP, MC 50 CP, M4 40 CP, MC 30 CP, M4 26 CP UK
12	172528	Revolving Button		1		MCE 40 CP, M2 26 CP UK, M4 26 CP, M4 50 CP, M4 30 CP UK, M2 30 CP, M2 30 CP UK, M2 26 CP, M4 30 CP, MC 40 CP, MC 60 CP, MC 50 CP, M4 40 CP, MC 30 CP, M4 26 CP UK
13	175823	Screw		1		MCE 40 CP, M2 26 CP UK, M4 26 CP, M4 50 CP, M4 30 CP UK, M2 30 CP, M2 30 CP UK, M2 26 CP, M4 30 CP, MC 40 CP, MC 60 CP, MC 50 CP, M4 40 CP, MC 30 CP, M4 26 CP UK

Item	Part No.	Name	Characteristics	Qty	Superseded PartNumber	Machine applicability
19	25714	Nut	M6	1		MC 50 CP, MCE 40 CP, M4 26 CP, M4 50 CP, M4 40 CP, M2 30 CP, M2 26 CP, M4 30 CP, MC 30 CP, MC 40 CP, MC 60 CP
20	55404	Cap		1		MC 50 CP, MCE 40 CP, M4 26 CP, M4 50 CP, M4 40 CP, M2 30 CP, M2 26 CP, M4 30 CP, MC 30 CP, MC 40 CP, MC 60 CP
21	78612	FASTENING PLATE		1		MC 50 CP, MCE 40 CP, M4 26 CP, M4 50 CP, M4 40 CP, M2 30 CP, M2 26 CP, M4 30 CP, MC 30 CP, MC 40 CP, MC 60 CP
22	42316	Washer		1		MC 50 CP, MCE 40 CP, M4 26 CP, M4 50 CP, M4 40 CP, M2 30 CP, M2 26 CP, M4 30 CP, MC 30 CP, MC 40 CP, MC 60 CP
23	25713	Screw	HM6	1		MC 50 CP, MCE 40 CP, M4 26 CP, M4 50 CP, M4 40 CP, M2 30 CP, M2 26 CP, M4 30 CP, MC 30 CP, MC 40 CP, MC 60 CP
24	55404	Cap		1		MC 50 CP, MCE 40 CP, M4 26 CP, M4 50 CP, M4 40 CP, M2 30 CP, M2 26 CP, M4 30 CP, MC 30 CP, MC 40 CP, MC 60 CP
25	174096	rearview		1		MC 50 CP, MCE 40 CP, M4 26 CP, M4 50 CP, M4 40 CP, M2 30 CP, M2 26 CP, M4 30 CP, MC 30 CP, MC 40 CP, MC 60 CP
26	190732	Screw		1		MC 50 CP, MCE 40 CP, M4 26 CP, M4 50 CP, M4 40 CP, M2 30 CP, M2 26 CP, M4 30 CP, MC 30 CP, MC 40 CP, MC 60 CP
27	189857	Washer	M6	1		MC 50 CP, MCE 40 CP, M4 26 CP, M4 50 CP, M4 40 CP, M2 30 CP, M2 26 CP, M4 30 CP, MC 30 CP, MC 40 CP, MC 60 CP

Item	Part No.	Name	Characteristics	Qty	Superseded PartNumber	Machine applicability
1	185197	Switch		1		MCE 40 CP, M2 26 CP UK, M4 26 CP, M4 50 CP, M4 30 CP UK, M2 30 CP, M2 30 CP UK, M2 26 CP, M4 30 CP, MC 40 CP, MC 60 CP, MC 50 CP, M4 40 CP, MC 30 CP, M4 26 CP UK
2	186364	WIRING HARNESS		1		MCE 40 CP, M2 26 CP UK, M4 26 CP, M4 50 CP, M4 30 CP UK, M2 30 CP, M2 30 CP UK, M2 26 CP, M4 30 CP, MC 40 CP, MC 60 CP, MC 50 CP, M4 40 CP, MC 30 CP, M4 26 CP UK
3	195177	Heating		1		MCE 40 CP, M2 26 CP UK, M4 26 CP, M4 50 CP, M4 30 CP UK, M2 30 CP, M2 30 CP UK, M2 26 CP, M4 30 CP, MC 40 CP, MC 60 CP, MC 50 CP, M4 40 CP, MC 30 CP, M4 26 CP UK
4	188195	Radiator		1		MCE 40 CP, M2 26 CP UK, M4 26 CP, M4 50 CP, M4 30 CP UK, M2 30 CP, M2 30 CP UK, M2 26 CP, M4 30 CP, MC 40 CP, MC 60 CP, MC 50 CP, M4 40 CP, MC 30 CP, M4 26 CP UK
5	188196	Air turbine		1		MCE 40 CP, M2 26 CP UK, M4 26 CP, M4 50 CP, M4 30 CP UK, M2 30 CP, M2 30 CP UK, M2 26 CP, M4 30 CP, MC 40 CP, MC 60 CP, MC 50 CP, M4 40 CP, MC 30 CP, M4 26 CP UK
6	197540	Heating bracket		1	186344	MCE 40 CP, M2 26 CP UK, M4 26 CP, M4 50 CP, M4 30 CP UK, M2 30 CP, M2 30 CP UK, M2 26 CP, M4 30 CP, MC 40 CP, MC 60 CP, MC 50 CP, M4 40 CP, MC 30 CP, M4 26 CP UK
7	187274	Screw		1		MCE 40 CP, M2 26 CP UK, M4 26 CP, M4 50 CP, M4 30 CP UK, M2 30 CP, M2 30 CP UK, M2 26 CP, M4 30 CP, MC 40 CP, MC 60 CP, MC 50 CP, M4 40 CP, MC 30 CP, M4 26 CP UK
8	42347	Screw	HM8	1		MCE 40 CP, M2 26 CP UK, M4 26 CP, M4 50 CP, M4 30 CP UK, M2 30 CP, M2 30 CP UK, M2 26 CP, M4 30 CP, MC 40 CP, MC 60 CP, MC 50 CP, M4 40 CP, MC 30 CP, M4 26 CP UK
9	29468	Washer	L8	1		MCE 40 CP, M2 26 CP UK, M4 26 CP, M4 50 CP, M4 30 CP UK, M2 30 CP, M2 30 CP UK, M2 26 CP, M4 30 CP, MC 40 CP, MC 60 CP, MC 50 CP, M4 40 CP, MC 30 CP, M4 26 CP UK
10	42325	Washer		1		MCE 40 CP, M2 26 CP UK, M4 26 CP, M4 50 CP, M4 30 CP UK, M2 30 CP, M2 30 CP UK, M2 26 CP, M4 30 CP, MC 40 CP, MC 60 CP, MC 50 CP, M4 40 CP, MC 30 CP, M4 26 CP UK
11	58528	Nut	M8	1		MCE 40 CP, M2 26 CP UK, M4 26 CP, M4 50 CP, M4 30 CP UK, M2 30 CP, M2 30 CP UK, M2 26 CP, M4 30 CP, MC 40 CP, MC 60 CP, MC 50 CP, M4 40 CP, MC 30 CP, M4 26 CP UK
12	21980	Clamp		1		MCE 40 CP, M2 26 CP UK, M4 26 CP, M4 50 CP, M4 30 CP UK, M2 30 CP, M2 30 CP UK, M2 26 CP, M4 30 CP, MC 40 CP, MC 60 CP, MC 50 CP, M4 40 CP, MC 30 CP, M4 26 CP UK
13	194194	Air pipe		1		MCE 40 CP, M2 26 CP UK, M4 26 CP, M4 50 CP, M4 30 CP UK, M2 30 CP, M2 30 CP UK, M2 26 CP, M4 30 CP, MC 40 CP, MC 60 CP, MC 50 CP, M4 40 CP, MC 30 CP, M4 26 CP UK

Item	Part No.	Name	Characteristics	Qty	Superseded PartNumber	Machine applicability
14	164965	Mounting spring		1		MCE 40 CP, M2 26 CP UK, M4 26 CP, M4 50 CP, M4 30 CP UK, M2 30 CP, M2 30 CP UK, M2 26 CP, M4 30 CP, MC 40 CP, MC 60 CP, MC 50 CP, M4 40 CP, MC 30 CP, M4 26 CP UK
15	55581	Seal	L500	1	165818, 71963, 162700, 596984, 168522, 168524, 168525, 168527, 55847, 57905, 168529, 55846, 57906, 55845, 57907, 171055, 55848, 163466, 164710, 246952, 61456, 165003, 60717, 165002, 60716, 60715, 60724, 78354, 60723, 60721, 184827, 227185, 51734, 161715, 200967, 245355, 75820, 170786, 61817, 54138, 684229, 54137, 54537, 738665, 188919, 164708, 73539, 243027, 519478, 519311, 168531, 168532	MCE 40 CP, M2 26 CP UK, M4 26 CP, M4 50 CP, M4 30 CP UK, M2 30 CP, M2 30 CP UK, M2 26 CP, M4 30 CP, MC 40 CP, MC 60 CP, MC 50 CP, M4 40 CP, MC 30 CP, M4 26 CP UK
16	29483	Washer		1		MCE 40 CP, M2 26 CP UK, M4 26 CP, M4 50 CP, M4 30 CP UK, M2 30 CP, M2 30 CP UK, M2 26 CP, M4 30 CP, MC 40 CP, MC 60 CP, MC 50 CP, M4 40 CP, MC 30 CP, M4 26 CP UK
17	54232	Nut	M5	1		MCE 40 CP, M2 26 CP UK, M4 26 CP, M4 50 CP, M4 30 CP UK, M2 30 CP, M2 30 CP UK, M2 26 CP, M4 30 CP, MC 40 CP, MC 60 CP, MC 50 CP, M4 40 CP, MC 30 CP, M4 26 CP UK
18	194194	Air pipe		1		MCE 40 CP, M2 26 CP UK, M4 26 CP, M4 50 CP, M4 30 CP UK, M2 30 CP, M2 30 CP UK, M2 26 CP, M4 30 CP, MC 40 CP, MC 60 CP, MC 50 CP, M4 40 CP, MC 30 CP, M4 26 CP UK
19	187275	Ventilation duct		1	549093	MCE 40 CP, M2 26 CP UK, M4 26 CP, M4 50 CP, M4 30 CP UK, M2 30 CP, M2 30 CP UK, M2 26 CP, M4 30 CP, MC 40 CP, MC 60 CP, MC 50 CP, M4 40 CP, MC 30 CP, M4 26 CP UK

Item	Part No.	Name	Characteristics	Qty	Superseded PartNumber	Machine applicability
33	170387	Half clamp		1		MCE 40 CP, M2 26 CP UK, M4 26 CP, M4 50 CP, M4 30 CP UK, M2 30 CP, M2 30 CP UK, M2 26 CP, M4 30 CP, MC 40 CP, MC 60 CP, MC 50 CP, M4 40 CP, MC 30 CP, M4 26 CP UK
34	168854	Protection plate		1		MCE 40 CP, M2 26 CP UK, M4 26 CP, M4 50 CP, M4 30 CP UK, M2 30 CP, M2 30 CP UK, M2 26 CP, M4 30 CP, MC 40 CP, MC 60 CP, MC 50 CP, M4 40 CP, MC 30 CP, M4 26 CP UK
35	161625	Screw	HM8	1		MCE 40 CP, M2 26 CP UK, M4 26 CP, M4 50 CP, M4 30 CP UK, M2 30 CP, M2 30 CP UK, M2 26 CP, M4 30 CP, MC 40 CP, MC 60 CP, MC 50 CP, M4 40 CP, MC 30 CP, M4 26 CP UK
36	29468	Washer	L8	1		MCE 40 CP, M2 26 CP UK, M4 26 CP, M4 50 CP, M4 30 CP UK, M2 30 CP, M2 30 CP UK, M2 26 CP, M4 30 CP, MC 40 CP, MC 60 CP, MC 50 CP, M4 40 CP, MC 30 CP, M4 26 CP UK
37	55852	Spacer		1		MCE 40 CP, M2 26 CP UK, M4 26 CP, M4 50 CP, M4 30 CP UK, M2 30 CP, M2 30 CP UK, M2 26 CP, M4 30 CP, MC 40 CP, MC 60 CP, MC 50 CP, M4 40 CP, MC 30 CP, M4 26 CP UK
38	63351	Washer	M8	1		MCE 40 CP, M2 26 CP UK, M4 26 CP, M4 50 CP, M4 30 CP UK, M2 30 CP, M2 30 CP UK, M2 26 CP, M4 30 CP, MC 40 CP, MC 60 CP, MC 50 CP, M4 40 CP, MC 30 CP, M4 26 CP UK
39	58528	Nut	M8	1		MCE 40 CP, M2 26 CP UK, M4 26 CP, M4 50 CP, M4 30 CP UK, M2 30 CP, M2 30 CP UK, M2 26 CP, M4 30 CP, MC 40 CP, MC 60 CP, MC 50 CP, M4 40 CP, MC 30 CP, M4 26 CP UK
40	55174	Clamp		1		MCE 40 CP, M2 26 CP UK, M4 26 CP, M4 50 CP, M4 30 CP UK, M2 30 CP, M2 30 CP UK, M2 26 CP, M4 30 CP, MC 40 CP, MC 60 CP, MC 50 CP, M4 40 CP, MC 30 CP, M4 26 CP UK
41	4240	Screw	HM5	1		MCE 40 CP, M2 26 CP UK, M4 26 CP, M4 50 CP, M4 30 CP UK, M2 30 CP, M2 30 CP UK, M2 26 CP, M4 30 CP, MC 40 CP, MC 60 CP, MC 50 CP, M4 40 CP, MC 30 CP, M4 26 CP UK

Item	Part No.	Name	Characteristics	Qty	Superseded PartNumber	Machine applicability
Not Shown	196727	CAB		1		MCE 40 CP, M2 26 CP UK, M4 26 CP, M4 50 CP, M4 30 CP UK, M2 30 CP, M2 30 CP UK, M2 26 CP, M4 30 CP, MC 40 CP, MC 60 CP, MC 50 CP, M4 40 CP, MC 30 CP, M4 26 CP UK
1	206845	PACKING		1		MCE 40 CP, M2 26 CP UK, M4 26 CP, M4 50 CP, M4 30 CP UK, M2 30 CP, M2 30 CP UK, M2 26 CP, M4 30 CP, MC 40 CP, MC 60 CP, MC 50 CP, M4 40 CP, MC 30 CP, M4 26 CP UK
2	550141	R.H. front fender fittings		1		MCE 40 CP, M2 26 CP UK, M4 26 CP, M4 50 CP, M4 30 CP UK, M2 30 CP, M2 30 CP UK, M2 26 CP, M4 30 CP, MC 40 CP, MC 60 CP, MC 50 CP, M4 40 CP, MC 30 CP, M4 26 CP UK
3	195610	PACKING		1		MCE 40 CP, M2 26 CP UK, M4 26 CP, M4 50 CP, M4 30 CP UK, M2 30 CP, M2 30 CP UK, M2 26 CP, M4 30 CP, MC 40 CP, MC 60 CP, MC 50 CP, M4 40 CP, MC 30 CP, M4 26 CP UK
4	195649	PACKING		1		MCE 40 CP, M2 26 CP UK, M4 26 CP, M4 50 CP, M4 30 CP UK, M2 30 CP, M2 30 CP UK, M2 26 CP, M4 30 CP, MC 40 CP, MC 60 CP, MC 50 CP, M4 40 CP, MC 30 CP, M4 26 CP UK
5	195651	PACKING		1		MCE 40 CP, M2 26 CP UK, M4 26 CP, M4 50 CP, M4 30 CP UK, M2 30 CP, M2 30 CP UK, M2 26 CP, M4 30 CP, MC 40 CP, MC 60 CP, MC 50 CP, M4 40 CP, MC 30 CP, M4 26 CP UK
6	191109	LABEL		1		MCE 40 CP, M2 26 CP UK, M4 26 CP, M4 50 CP, M4 30 CP UK, M2 30 CP, M2 30 CP UK, M2 26 CP, M4 30 CP, MC 40 CP, MC 60 CP, MC 50 CP, M4 40 CP, MC 30 CP, M4 26 CP UK
7	191605	Mounting plate		1		MCE 40 CP, M2 26 CP UK, M4 26 CP, M4 50 CP, M4 30 CP UK, M2 30 CP, M2 30 CP UK, M2 26 CP, M4 30 CP, MC 40 CP, MC 60 CP, MC 50 CP, M4 40 CP, MC 30 CP, M4 26 CP UK
8	54568	Rivet		1		MCE 40 CP, M2 26 CP UK, M4 26 CP, M4 50 CP, M4 30 CP UK, M2 30 CP, M2 30 CP UK, M2 26 CP, M4 30 CP, MC 40 CP, MC 60 CP, MC 50 CP, M4 40 CP, MC 30 CP, M4 26 CP UK

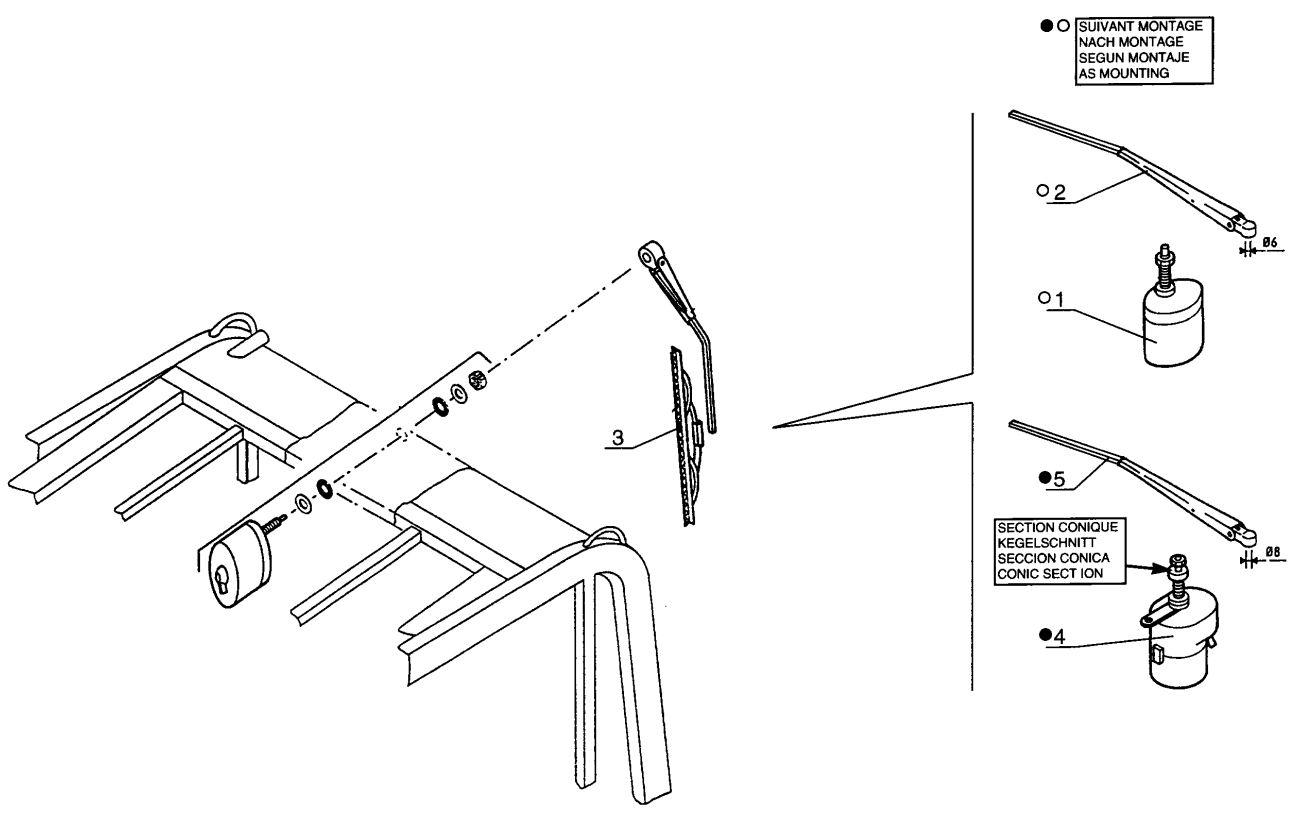
8 A 242

CABINE MCP 02 (Détails)
KABINE MCP 02 (Einzelteile)
CABINA MCP 02 (Detalles)
CAB MCP 02 (Details)

M2 26 CP UK
M2 30 CP UK
M4 26 CP UK
M4 30 CP UK

MC 30 CP
MC 40 CP
MC 50 CP
MC 60 CP
MCE 40 CP

M2 26 CP
M2 30 CP
M4 26 CP
M4 30 CP
M4 40 CP
M4 50 CP



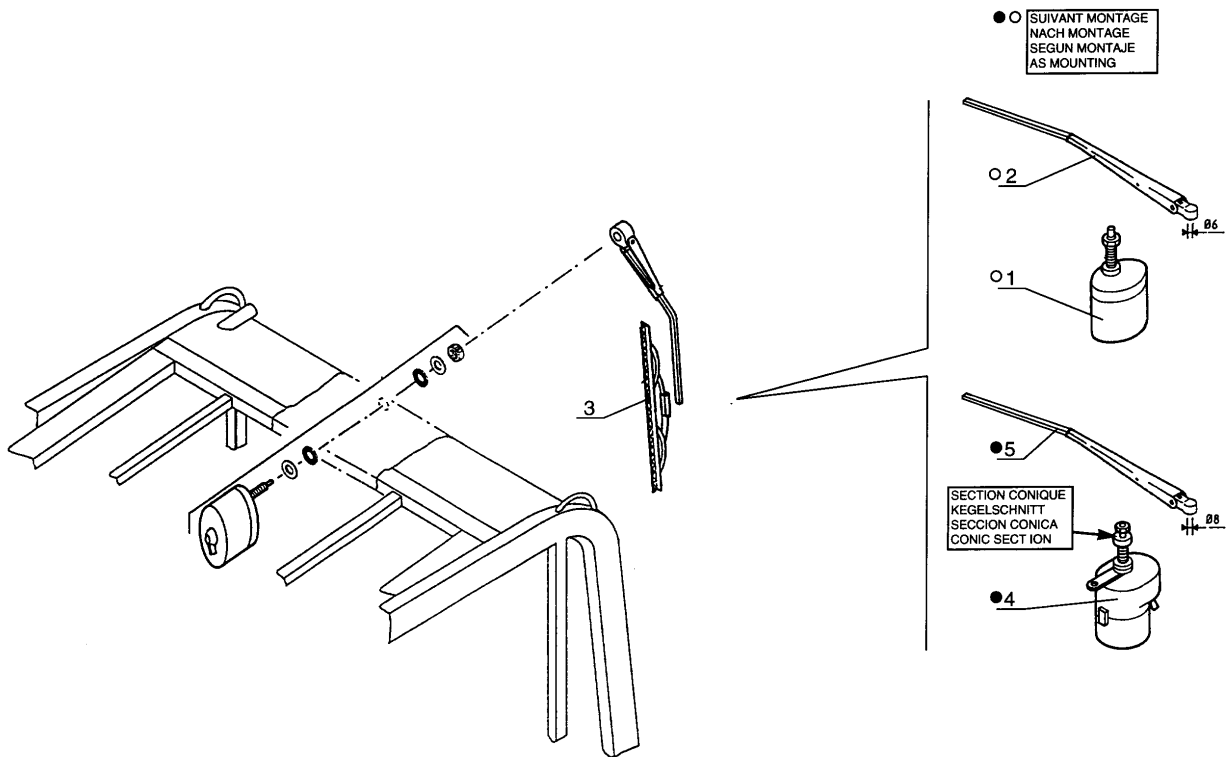
8 A 242

CABINE MCP 10 (Détails)
 KABINE MCP 10 (Einzelteile)
 CABINA MCP 10 (Detalles)
 CAB MCP 10 (Details)

M2 26 CP UK
 M2 30 CP UK
 M4 26 CP UK
 M4 30 CP UK

MC 30 CP
 MC 40 CP
 MC 50 CP
 MC 60 CP
 MCE 40 CP

M2 26 CP
 M2 30 CP
 M4 26 CP
 M4 30 CP
 M4 40 CP
 M4 50 CP



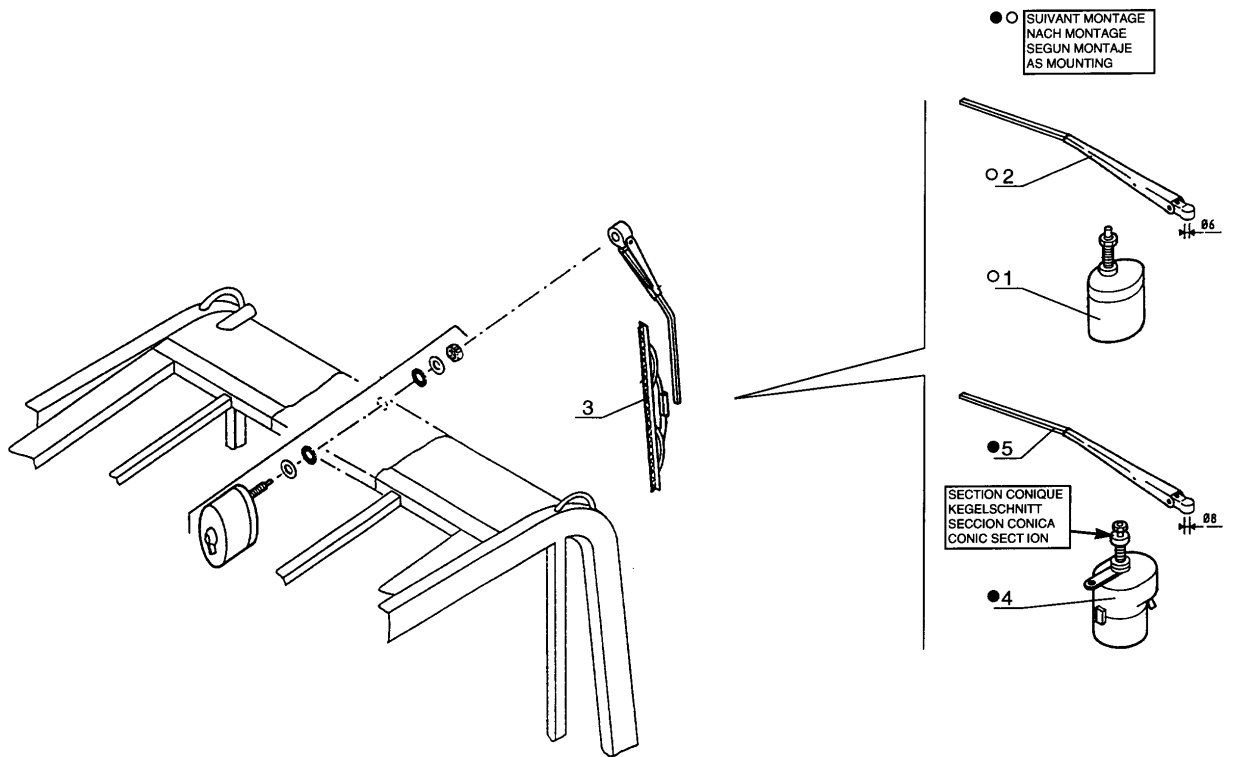
8 A 242

CABINE MCP 18 (Détails)
KABINE MCP 18 (Einzelteile)
CABINA MCP 18 (Detalles)
CAB MCP 18 (Details)

M2 26 CP UK
M2 30 CP UK
M4 26 CP UK
M4 30 CP UK

MC 30 CP
MC 40 CP
MC 50 CP
MC 60 CP
MCE 40 CP

M2 26 CP
M2 30 CP
M4 26 CP
M4 30 CP
M4 40 CP
M4 50 CP



7
H11



2/2	CABINE (Détails) KABINE (Einzelteile) CABINA (Detalles) CAB (Details)		Q.TE - Menge - Cant - Q.TY												8 A 275						
	Rep Hinw Fig Item	NUMERO TEIL - NR NUMERO PART - NR	DESIGNATION BEZEICHNUNG DESCRIPCION DESCRIPTION	MC 40 CP	MC 50 CP	MC 60 CP	MCE 40 CP	M2 26 CP UK	M4 26 CP UK	M2 26 CP	M2 30 CP	M4 26 CP	M4 30 CP	M4 40 CP	M4 50 CP	M2 30 CP UK	M4 30 CP UK	MC 30 CP			
21	42 325	R. W 8 zinguée		4	4	4	4	4	4	4	4	4	4	4	4	4	4	4			
22	61 755	Serrure extérieure - Ausser Schloss - Cerradura exterior - Outer lock		2	2	2	2	2	2	2	2	2	2	2	2	2	2	2			
23	182 109	Clé - Schlüssel - Llave - Key		2	2	2	2	2	2	2	2	2	2	2	2	2	2	2			
24	184 036	Vis - Schraube - Tornillo - Screw		2	2	2	2	2	2	2	2	2	2	2	2	2	2	2			
25	182 110	Serrure intérieure droite - Recht innen Schloss Cerradura interior derecha - R.H. inner lock		1	1	1	1	1	1	1	1	1	1	1	1	1	1	1			
26	182 111	Serrure intérieure gauche - Link innen Schloss Cerradura interior izquierda - L.H. inner lock		1	1	1	1	1	1	1	1	1	1	1	1	1	1	1			
27	182 024	V. CHc, M 5 x 35 zinguée		4	4	4	4	4	4	4	4	4	4	4	4	4	4	4			
28	38 890	Vis - Schraube - Tornillo - Screw		4	4	4	4	4	4	4	4	4	4	4	4	4	4	4			
29	184 035	Ecrou - Mutter - Tuerca - Nut		4	4	4	4	4	4	4	4	4	4	4	4	4	4	4			

M8

1 2 3 4 5 6 7 8 9 10 11 12 13 14 15 16 17 18

Item	Part No.	Name	Characteristics	Qty	Superseded PartNumber	Machine applicability
14	182038	Seal		1		MCE 40 CP, M2 26 CP UK, M4 26 CP, M4 50 CP, M4 30 CP UK, M2 30 CP, M2 30 CP UK, M2 26 CP, M4 30 CP, MC 40 CP, MC 60 CP, MC 50 CP, M4 40 CP, MC 30 CP, M4 26 CP UK
15	182941	Rear window glass, stripped		1		MCE 40 CP, M2 26 CP UK, M4 26 CP, M4 50 CP, M4 30 CP UK, M2 30 CP, M2 30 CP UK, M2 26 CP, M4 30 CP, MC 40 CP, MC 60 CP, MC 50 CP, M4 40 CP, MC 30 CP, M4 26 CP UK
16	182108	Profile seal		1	505171	MCE 40 CP, M2 26 CP UK, M4 26 CP, M4 50 CP, M4 30 CP UK, M2 30 CP, M2 30 CP UK, M2 26 CP, M4 30 CP, MC 40 CP, MC 60 CP, MC 50 CP, M4 40 CP, MC 30 CP, M4 26 CP UK
17	182039	LUG		1		MCE 40 CP, M2 26 CP UK, M4 26 CP, M4 50 CP, M4 30 CP UK, M2 30 CP, M2 30 CP UK, M2 26 CP, M4 30 CP, MC 40 CP, MC 60 CP, MC 50 CP, M4 40 CP, MC 30 CP, M4 26 CP UK
18	46668	Screw	HM6	1		MCE 40 CP, M2 26 CP UK, M4 26 CP, M4 50 CP, M4 30 CP UK, M2 30 CP, M2 30 CP UK, M2 26 CP, M4 30 CP, MC 40 CP, MC 60 CP, MC 50 CP, M4 40 CP, MC 30 CP, M4 26 CP UK
19	29469	Washer	M6	1		MCE 40 CP, M2 26 CP UK, M4 26 CP, M4 50 CP, M4 30 CP UK, M2 30 CP, M2 30 CP UK, M2 26 CP, M4 30 CP, MC 40 CP, MC 60 CP, MC 50 CP, M4 40 CP, MC 30 CP, M4 26 CP UK
20	42316	Washer		1		MCE 40 CP, M2 26 CP UK, M4 26 CP, M4 50 CP, M4 30 CP UK, M2 30 CP, M2 30 CP UK, M2 26 CP, M4 30 CP, MC 40 CP, MC 60 CP, MC 50 CP, M4 40 CP, MC 30 CP, M4 26 CP UK
21	25714	Nut	M6	1		MCE 40 CP, M2 26 CP UK, M4 26 CP, M4 50 CP, M4 30 CP UK, M2 30 CP, M2 30 CP UK, M2 26 CP, M4 30 CP, MC 40 CP, MC 60 CP, MC 50 CP, M4 40 CP, MC 30 CP, M4 26 CP UK
22	55404	Cap		1		MCE 40 CP, M2 26 CP UK, M4 26 CP, M4 50 CP, M4 30 CP UK, M2 30 CP, M2 30 CP UK, M2 26 CP, M4 30 CP, MC 40 CP, MC 60 CP, MC 50 CP, M4 40 CP, MC 30 CP, M4 26 CP UK
23	183385	White mastic		1	179156, 882619, 454615, 198122	MCE 40 CP, M2 26 CP UK, M4 26 CP, M4 50 CP, M4 30 CP UK, M2 30 CP, M2 30 CP UK, M2 26 CP, M4 30 CP, MC 40 CP, MC 60 CP, MC 50 CP, M4 40 CP, MC 30 CP, M4 26 CP UK
24	786629	*		1	179155	MCE 40 CP, M2 26 CP UK, M4 26 CP, M4 50 CP, M4 30 CP UK, M2 30 CP, M2 30 CP UK, M2 26 CP, M4 30 CP, MC 40 CP, MC 60 CP, MC 50 CP, M4 40 CP, MC 30 CP, M4 26 CP UK

8 A 286

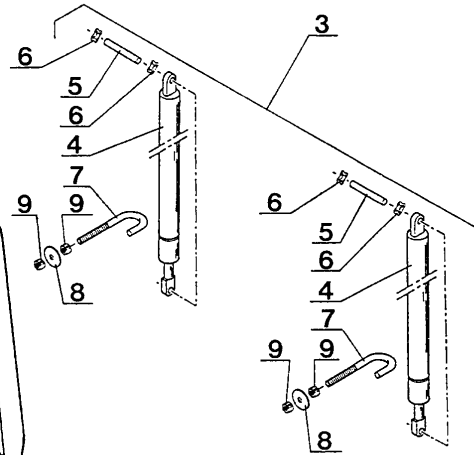
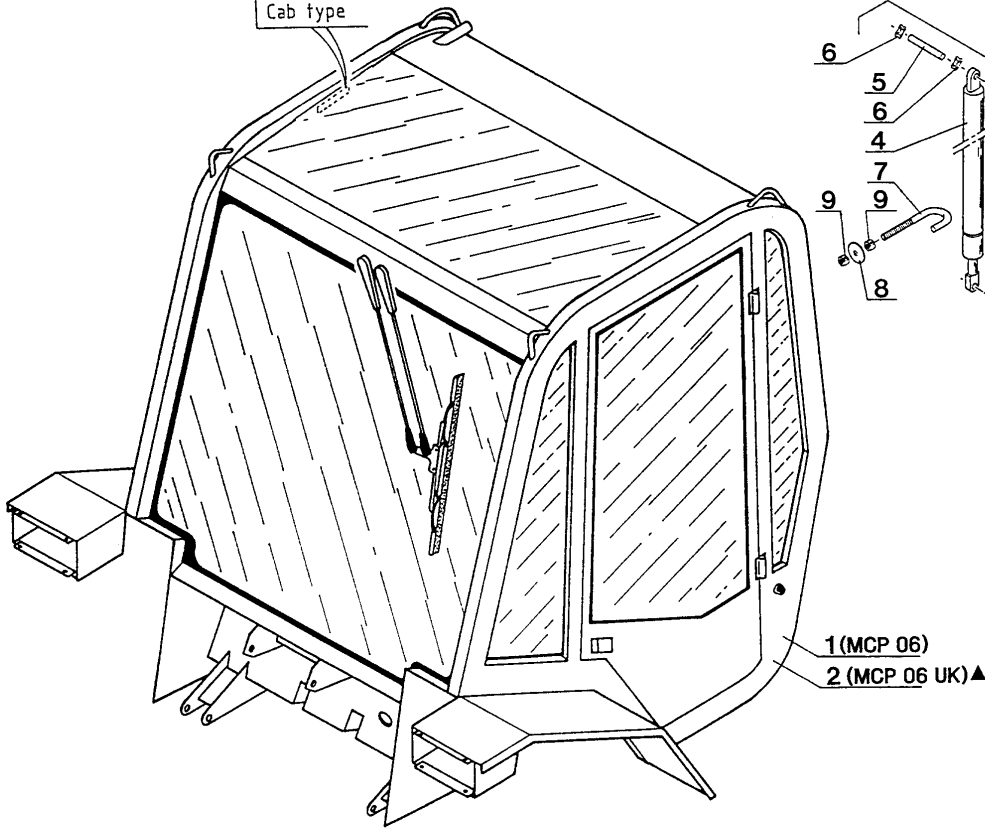
CABINE MCP 06
KABINE MCP 06
CABINA MCP 06
CAB MCP 06

M2 26 CP UK
M2 30 CP UK
M4 26 CP UK
M4 30 CP UK

MC 30 CP
MC 40 CP
MC 50 CP
MC 60 CP
MCE 40 CP

M2 26 CP
M2 30 CP
M4 26 CP
M4 30 CP
M4 40 CP
M4 50 CP

Type de cabine
Kabine Type
Tipo de cabina
Cab type



▲ POUR ANGLETERRE ET OPTION
FÜR ENGLAND UND OPTION
PARA INGLATERRA Y OPCION
FOR ENGLAND AND OPTION

5
B12



Item	Part No.	Name	Characteristics	Qty	Superseded PartNumber	Machine applicability
12	181105	NO LONGER AVAILABLE		1		MCE 40 CP, M2 26 CP UK, M4 26 CP, M4 50 CP, M4 30 CP UK, M2 30 CP, M2 30 CP UK, M2 26 CP, M4 30 CP, MC 40 CP, MC 60 CP, MC 50 CP, M4 40 CP, MC 30 CP, M4 26 CP UK
13	181107	Roof viewing port		1		MCE 40 CP, M2 26 CP UK, M4 26 CP, M4 50 CP, M4 30 CP UK, M2 30 CP, M2 30 CP UK, M2 26 CP, M4 30 CP, MC 40 CP, MC 60 CP, MC 50 CP, M4 40 CP, MC 30 CP, M4 26 CP UK
14	182038	Seal		1		MCE 40 CP, M2 26 CP UK, M4 26 CP, M4 50 CP, M4 30 CP UK, M2 30 CP, M2 30 CP UK, M2 26 CP, M4 30 CP, MC 40 CP, MC 60 CP, MC 50 CP, M4 40 CP, MC 30 CP, M4 26 CP UK
15	181101	*		1		MCE 40 CP, M2 26 CP UK, M4 26 CP, M4 50 CP, M4 30 CP UK, M2 30 CP, M2 30 CP UK, M2 26 CP, M4 30 CP, MC 40 CP, MC 60 CP, MC 50 CP, M4 40 CP, MC 30 CP, M4 26 CP UK
16	182101	Weatherstrip		1		MCE 40 CP, M2 26 CP UK, M4 26 CP, M4 50 CP, M4 30 CP UK, M2 30 CP, M2 30 CP UK, M2 26 CP, M4 30 CP, MC 40 CP, MC 60 CP, MC 50 CP, M4 40 CP, MC 30 CP, M4 26 CP UK
17	182039	LUG		1		MCE 40 CP, M2 26 CP UK, M4 26 CP, M4 50 CP, M4 30 CP UK, M2 30 CP, M2 30 CP UK, M2 26 CP, M4 30 CP, MC 40 CP, MC 60 CP, MC 50 CP, M4 40 CP, MC 30 CP, M4 26 CP UK
18	46668	Screw	HM6	1		MCE 40 CP, M2 26 CP UK, M4 26 CP, M4 50 CP, M4 30 CP UK, M2 30 CP, M2 30 CP UK, M2 26 CP, M4 30 CP, MC 40 CP, MC 60 CP, MC 50 CP, M4 40 CP, MC 30 CP, M4 26 CP UK
19	29469	Washer	M6	1		MCE 40 CP, M2 26 CP UK, M4 26 CP, M4 50 CP, M4 30 CP UK, M2 30 CP, M2 30 CP UK, M2 26 CP, M4 30 CP, MC 40 CP, MC 60 CP, MC 50 CP, M4 40 CP, MC 30 CP, M4 26 CP UK
20	42316	Washer		1		MCE 40 CP, M2 26 CP UK, M4 26 CP, M4 50 CP, M4 30 CP UK, M2 30 CP, M2 30 CP UK, M2 26 CP, M4 30 CP, MC 40 CP, MC 60 CP, MC 50 CP, M4 40 CP, MC 30 CP, M4 26 CP UK
21	25714	Nut	M6	1		MCE 40 CP, M2 26 CP UK, M4 26 CP, M4 50 CP, M4 30 CP UK, M2 30 CP, M2 30 CP UK, M2 26 CP, M4 30 CP, MC 40 CP, MC 60 CP, MC 50 CP, M4 40 CP, MC 30 CP, M4 26 CP UK
22	55404	Cap		1		MCE 40 CP, M2 26 CP UK, M4 26 CP, M4 50 CP, M4 30 CP UK, M2 30 CP, M2 30 CP UK, M2 26 CP, M4 30 CP, MC 40 CP, MC 60 CP, MC 50 CP, M4 40 CP, MC 30 CP, M4 26 CP UK
23	183385	White mastic		1	179156, 882619, 454615, 198122	MCE 40 CP, M2 26 CP UK, M4 26 CP, M4 50 CP, M4 30 CP UK, M2 30 CP, M2 30 CP UK, M2 26 CP, M4 30 CP, MC 40 CP, MC 60 CP, MC 50 CP, M4 40 CP, MC 30 CP, M4 26 CP UK
24	786629	*		1	179155	MCE 40 CP, M2 26 CP UK, M4 26 CP, M4 50 CP, M4 30 CP UK, M2 30 CP, M2 30 CP UK, M2 26 CP, M4 30 CP, MC 40 CP, MC 60 CP, MC 50 CP, M4 40 CP, MC 30 CP, M4 26 CP UK

Item	Part No.	Name	Characteristics	Qty	Superseded PartNumber	Machine applicability
Not Shown	188991	CAB		1		MCE 40 CP, M2 26 CP UK, M4 26 CP, M4 50 CP, M4 30 CP UK, M2 30 CP, M2 30 CP UK, M2 26 CP, M4 30 CP, MC 40 CP, MC 60 CP, MC 50 CP, M4 40 CP, MC 30 CP, M4 26 CP UK
Not Shown	188990	CAB		1		MCE 40 CP, M2 26 CP UK, M4 26 CP, M4 50 CP, M4 30 CP UK, M2 30 CP, M2 30 CP UK, M2 26 CP, M4 30 CP, MC 40 CP, MC 60 CP, MC 50 CP, M4 40 CP, MC 30 CP, M4 26 CP UK
1	195299	HARNESS/CHASSIS		1		MCE 40 CP, M2 26 CP UK, M4 26 CP, M4 50 CP, M4 30 CP UK, M2 30 CP, M2 30 CP UK, M2 26 CP, M4 30 CP, MC 40 CP, MC 60 CP, MC 50 CP, M4 40 CP, MC 30 CP, M4 26 CP UK
2	194793	FENDER		1		MCE 40 CP, M2 26 CP UK, M4 26 CP, M4 50 CP, M4 30 CP UK, M2 30 CP, M2 30 CP UK, M2 26 CP, M4 30 CP, MC 40 CP, MC 60 CP, MC 50 CP, M4 40 CP, MC 30 CP, M4 26 CP UK
3	46668	Screw	HM6	1		MCE 40 CP, M2 26 CP UK, M4 26 CP, M4 50 CP, M4 30 CP UK, M2 30 CP, M2 30 CP UK, M2 26 CP, M4 30 CP, MC 40 CP, MC 60 CP, MC 50 CP, M4 40 CP, MC 30 CP, M4 26 CP UK
4	42316	Washer		1		MCE 40 CP, M2 26 CP UK, M4 26 CP, M4 50 CP, M4 30 CP UK, M2 30 CP, M2 30 CP UK, M2 26 CP, M4 30 CP, MC 40 CP, MC 60 CP, MC 50 CP, M4 40 CP, MC 30 CP, M4 26 CP UK
5	29469	Washer	M6	1		MCE 40 CP, M2 26 CP UK, M4 26 CP, M4 50 CP, M4 30 CP UK, M2 30 CP, M2 30 CP UK, M2 26 CP, M4 30 CP, MC 40 CP, MC 60 CP, MC 50 CP, M4 40 CP, MC 30 CP, M4 26 CP UK
6	29450	Screw	HM12	1		MCE 40 CP, M2 26 CP UK, M4 26 CP, M4 50 CP, M4 30 CP UK, M2 30 CP, M2 30 CP UK, M2 26 CP, M4 30 CP, MC 40 CP, MC 60 CP, MC 50 CP, M4 40 CP, MC 30 CP, M4 26 CP UK
7	42231	Washer		1		MCE 40 CP, M2 26 CP UK, M4 26 CP, M4 50 CP, M4 30 CP UK, M2 30 CP, M2 30 CP UK, M2 26 CP, M4 30 CP, MC 40 CP, MC 60 CP, MC 50 CP, M4 40 CP, MC 30 CP, M4 26 CP UK
8	61676	Washer	M12	1		MCE 40 CP, M2 26 CP UK, M4 26 CP, M4 50 CP, M4 30 CP UK, M2 30 CP, M2 30 CP UK, M2 26 CP, M4 30 CP, MC 40 CP, MC 60 CP, MC 50 CP, M4 40 CP, MC 30 CP, M4 26 CP UK
9	182937	*		1		MCE 40 CP, M2 26 CP UK, M4 26 CP, M4 50 CP, M4 30 CP UK, M2 30 CP, M2 30 CP UK, M2 26 CP, M4 30 CP, MC 40 CP, MC 60 CP, MC 50 CP, M4 40 CP, MC 30 CP, M4 26 CP UK
10	182936	*		1		MCE 40 CP, M2 26 CP UK, M4 26 CP, M4 50 CP, M4 30 CP UK, M2 30 CP, M2 30 CP UK, M2 26 CP, M4 30 CP, MC 40 CP, MC 60 CP, MC 50 CP, M4 40 CP, MC 30 CP, M4 26 CP UK
11	182939	Left-hand rear side window, bare		1		MCE 40 CP, M2 26 CP UK, M4 26 CP, M4 50 CP, M4 30 CP UK, M2 30 CP, M2 30 CP UK, M2 26 CP, M4 30 CP, MC 40 CP, MC 60 CP, MC 50 CP, M4 40 CP, MC 30 CP, M4 26 CP UK

Item	Part No.	Name	Characteristics	Qty	Superseded PartNumber	Machine applicability
26	195300	FASTENING PLATE		1		MCE 40 CP, M2 26 CP UK, M4 26 CP, M4 50 CP, M4 30 CP UK, M2 30 CP, M2 30 CP UK, M2 26 CP, M4 30 CP, MC 40 CP, MC 60 CP, MC 50 CP, M4 40 CP, MC 30 CP, M4 26 CP UK
27	187310	Rear window glass + weatherstrip		1		MCE 40 CP, M2 26 CP UK, M4 26 CP, M4 50 CP, M4 30 CP UK, M2 30 CP, M2 30 CP UK, M2 26 CP, M4 30 CP, MC 40 CP, MC 60 CP, MC 50 CP, M4 40 CP, MC 30 CP, M4 26 CP UK

Item	Part No.	Name	Characteristics	Qty	Superseded PartNumber	Machine applicability
Not Shown	189894	CAB		1		MCE 40 CP, M2 26 CP UK, M4 26 CP, M4 50 CP, M4 30 CP UK, M2 30 CP, M2 30 CP UK, M2 26 CP, M4 30 CP, MC 40 CP, MC 60 CP, MC 50 CP, M4 40 CP, MC 30 CP, M4 26 CP UK
1	195644	CAB FRAME WORK		1		MCE 40 CP, M2 26 CP UK, M4 26 CP, M4 50 CP, M4 30 CP UK, M2 30 CP, M2 30 CP UK, M2 26 CP, M4 30 CP, MC 40 CP, MC 60 CP, MC 50 CP, M4 40 CP, MC 30 CP, M4 26 CP UK
2	190720	FENDER		1		MCE 40 CP, M2 26 CP UK, M4 26 CP, M4 50 CP, M4 30 CP UK, M2 30 CP, M2 30 CP UK, M2 26 CP, M4 30 CP, MC 40 CP, MC 60 CP, MC 50 CP, M4 40 CP, MC 30 CP, M4 26 CP UK
3	46668	Screw	HM6	1		MCE 40 CP, M2 26 CP UK, M4 26 CP, M4 50 CP, M4 30 CP UK, M2 30 CP, M2 30 CP UK, M2 26 CP, M4 30 CP, MC 40 CP, MC 60 CP, MC 50 CP, M4 40 CP, MC 30 CP, M4 26 CP UK
4	42316	Washer		1		MCE 40 CP, M2 26 CP UK, M4 26 CP, M4 50 CP, M4 30 CP UK, M2 30 CP, M2 30 CP UK, M2 26 CP, M4 30 CP, MC 40 CP, MC 60 CP, MC 50 CP, M4 40 CP, MC 30 CP, M4 26 CP UK
5	29469	Washer	M6	1		MCE 40 CP, M2 26 CP UK, M4 26 CP, M4 50 CP, M4 30 CP UK, M2 30 CP, M2 30 CP UK, M2 26 CP, M4 30 CP, MC 40 CP, MC 60 CP, MC 50 CP, M4 40 CP, MC 30 CP, M4 26 CP UK
6	29450	Screw	HM12	1		MCE 40 CP, M2 26 CP UK, M4 26 CP, M4 50 CP, M4 30 CP UK, M2 30 CP, M2 30 CP UK, M2 26 CP, M4 30 CP, MC 40 CP, MC 60 CP, MC 50 CP, M4 40 CP, MC 30 CP, M4 26 CP UK
7	42231	Washer		1		MCE 40 CP, M2 26 CP UK, M4 26 CP, M4 50 CP, M4 30 CP UK, M2 30 CP, M2 30 CP UK, M2 26 CP, M4 30 CP, MC 40 CP, MC 60 CP, MC 50 CP, M4 40 CP, MC 30 CP, M4 26 CP UK
8	61676	Washer	M12	1		MCE 40 CP, M2 26 CP UK, M4 26 CP, M4 50 CP, M4 30 CP UK, M2 30 CP, M2 30 CP UK, M2 26 CP, M4 30 CP, MC 40 CP, MC 60 CP, MC 50 CP, M4 40 CP, MC 30 CP, M4 26 CP UK
9	181104	*		1		MCE 40 CP, M2 26 CP UK, M4 26 CP, M4 50 CP, M4 30 CP UK, M2 30 CP, M2 30 CP UK, M2 26 CP, M4 30 CP, MC 40 CP, MC 60 CP, MC 50 CP, M4 40 CP, MC 30 CP, M4 26 CP UK
10	181103	*		1		MCE 40 CP, M2 26 CP UK, M4 26 CP, M4 50 CP, M4 30 CP UK, M2 30 CP, M2 30 CP UK, M2 26 CP, M4 30 CP, MC 40 CP, MC 60 CP, MC 50 CP, M4 40 CP, MC 30 CP, M4 26 CP UK
11	181106	GLASS		1		MCE 40 CP, M2 26 CP UK, M4 26 CP, M4 50 CP, M4 30 CP UK, M2 30 CP, M2 30 CP UK, M2 26 CP, M4 30 CP, MC 40 CP, MC 60 CP, MC 50 CP, M4 40 CP, MC 30 CP, M4 26 CP UK
12	181105	NO LONGER AVAILABLE		1		MCE 40 CP, M2 26 CP UK, M4 26 CP, M4 50 CP, M4 30 CP UK, M2 30 CP, M2 30 CP UK, M2 26 CP, M4 30 CP, MC 40 CP, MC 60 CP, MC 50 CP, M4 40 CP, MC 30 CP, M4 26 CP UK

Image does not exist

Item	Part No.	Name	Characteristics	Qty	Superseded PartNumber	Machine applicability
26	195300	FASTENING PLATE		1		MCE 40 CP, M2 26 CP UK, M4 26 CP, M4 50 CP, M4 30 CP UK, M2 30 CP, M2 30 CP UK, M2 26 CP, M4 30 CP, MC 40 CP, MC 60 CP, MC 50 CP, M4 40 CP, MC 30 CP, M4 26 CP UK
27	182014	GLASS		1		MCE 40 CP, M2 26 CP UK, M4 26 CP, M4 50 CP, M4 30 CP UK, M2 30 CP, M2 30 CP UK, M2 26 CP, M4 30 CP, MC 40 CP, MC 60 CP, MC 50 CP, M4 40 CP, MC 30 CP, M4 26 CP UK

Item	Part No.	Name	Characteristics	Qty	Superseded PartNumber	Machine applicability
Not Shown	201778	CAB		1		MCE 40 CP, M2 26 CP UK, M4 26 CP, M4 50 CP, M4 30 CP UK, M2 30 CP, M2 30 CP UK, M2 26 CP, M4 30 CP, MC 40 CP, MC 60 CP, MC 50 CP, M4 40 CP, MC 30 CP, M4 26 CP UK
Not Shown	199395	COMPLETE CAB		1		MCE 40 CP, M2 26 CP UK, M4 26 CP, M4 50 CP, M4 30 CP UK, M2 30 CP, M2 30 CP UK, M2 26 CP, M4 30 CP, MC 40 CP, MC 60 CP, MC 50 CP, M4 40 CP, MC 30 CP, M4 26 CP UK
Not Shown	206253	COMPLETE CAB		1	189893	MCE 40 CP, M2 26 CP UK, M4 26 CP, M4 50 CP, M4 30 CP UK, M2 30 CP, M2 30 CP UK, M2 26 CP, M4 30 CP, MC 40 CP, MC 60 CP, MC 50 CP, M4 40 CP, MC 30 CP, M4 26 CP UK
1	182167	Left-hand rear-view mirror		1		MCE 40 CP, M2 26 CP UK, M4 26 CP, M4 50 CP, M4 30 CP UK, M2 30 CP, M2 30 CP UK, M2 26 CP, M4 30 CP, MC 40 CP, MC 60 CP, MC 50 CP, M4 40 CP, MC 30 CP, M4 26 CP UK
2	182169	REARVIEW MIRROR		1	455157, 448175, 448173	MCE 40 CP, M2 26 CP UK, M4 26 CP, M4 50 CP, M4 30 CP UK, M2 30 CP, M2 30 CP UK, M2 26 CP, M4 30 CP, MC 40 CP, MC 60 CP, MC 50 CP, M4 40 CP, MC 30 CP, M4 26 CP UK
3	182170	Anti-vibration plate		1		MCE 40 CP, M2 26 CP UK, M4 26 CP, M4 50 CP, M4 30 CP UK, M2 30 CP, M2 30 CP UK, M2 26 CP, M4 30 CP, MC 40 CP, MC 60 CP, MC 50 CP, M4 40 CP, MC 30 CP, M4 26 CP UK
4	46668	Screw	HM6	1		MCE 40 CP, M2 26 CP UK, M4 26 CP, M4 50 CP, M4 30 CP UK, M2 30 CP, M2 30 CP UK, M2 26 CP, M4 30 CP, MC 40 CP, MC 60 CP, MC 50 CP, M4 40 CP, MC 30 CP, M4 26 CP UK
5	29469	Washer	M6	1		MCE 40 CP, M2 26 CP UK, M4 26 CP, M4 50 CP, M4 30 CP UK, M2 30 CP, M2 30 CP UK, M2 26 CP, M4 30 CP, MC 40 CP, MC 60 CP, MC 50 CP, M4 40 CP, MC 30 CP, M4 26 CP UK
6	42316	Washer		1		MCE 40 CP, M2 26 CP UK, M4 26 CP, M4 50 CP, M4 30 CP UK, M2 30 CP, M2 30 CP UK, M2 26 CP, M4 30 CP, MC 40 CP, MC 60 CP, MC 50 CP, M4 40 CP, MC 30 CP, M4 26 CP UK
7	25714	Nut	M6	1		MCE 40 CP, M2 26 CP UK, M4 26 CP, M4 50 CP, M4 30 CP UK, M2 30 CP, M2 30 CP UK, M2 26 CP, M4 30 CP, MC 40 CP, MC 60 CP, MC 50 CP, M4 40 CP, MC 30 CP, M4 26 CP UK
8	55404	Cap		1		MCE 40 CP, M2 26 CP UK, M4 26 CP, M4 50 CP, M4 30 CP UK, M2 30 CP, M2 30 CP UK, M2 26 CP, M4 30 CP, MC 40 CP, MC 60 CP, MC 50 CP, M4 40 CP, MC 30 CP, M4 26 CP UK
9	174075	Cable Grommet		1		MCE 40 CP, M2 26 CP UK, M4 26 CP, M4 50 CP, M4 30 CP UK, M2 30 CP, M2 30 CP UK, M2 26 CP, M4 30 CP, MC 40 CP, MC 60 CP, MC 50 CP, M4 40 CP, MC 30 CP, M4 26 CP UK
10	550148	Left-hand gutter		1		MCE 40 CP, M2 26 CP UK, M4 26 CP, M4 50 CP, M4 30 CP UK, M2 30 CP, M2 30 CP UK, M2 26 CP, M4 30 CP, MC 40 CP, MC 60 CP, MC 50 CP, M4 40 CP, MC 30 CP, M4 26 CP UK

Image does not exist

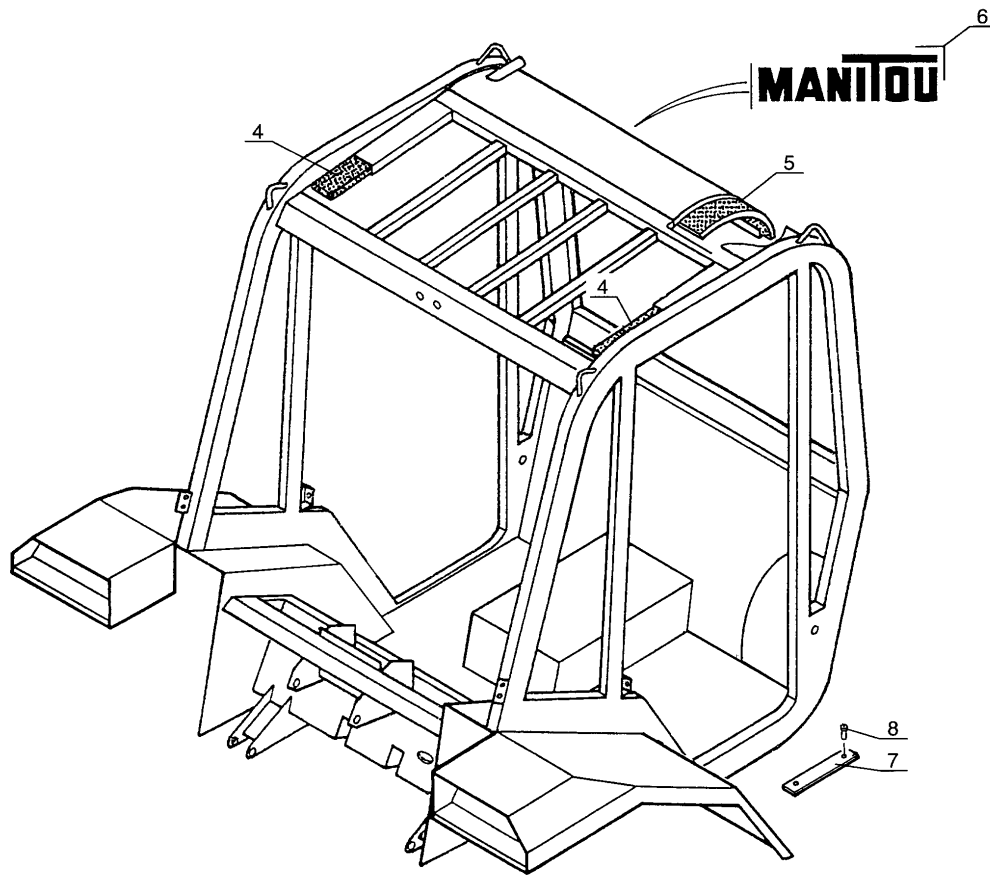
8 A 356

CABINE MCP 18 (Détails)
KABINE MCP 18 (Einzelteile)
CABINA MCP 18 (Detalles)
CAB MCP 18 (Details)

M2 26 CP UK
M2 30 CP UK
M4 26 CP UK
M4 30 CP UK

MC 30 CP
MC 40 CP
MC 50 CP
MC 60 CP
MCE 40 CP

M2 26 CP
M2 30 CP
M4 26 CP
M4 30 CP
M4 40 CP
M4 50 CP



7
A11



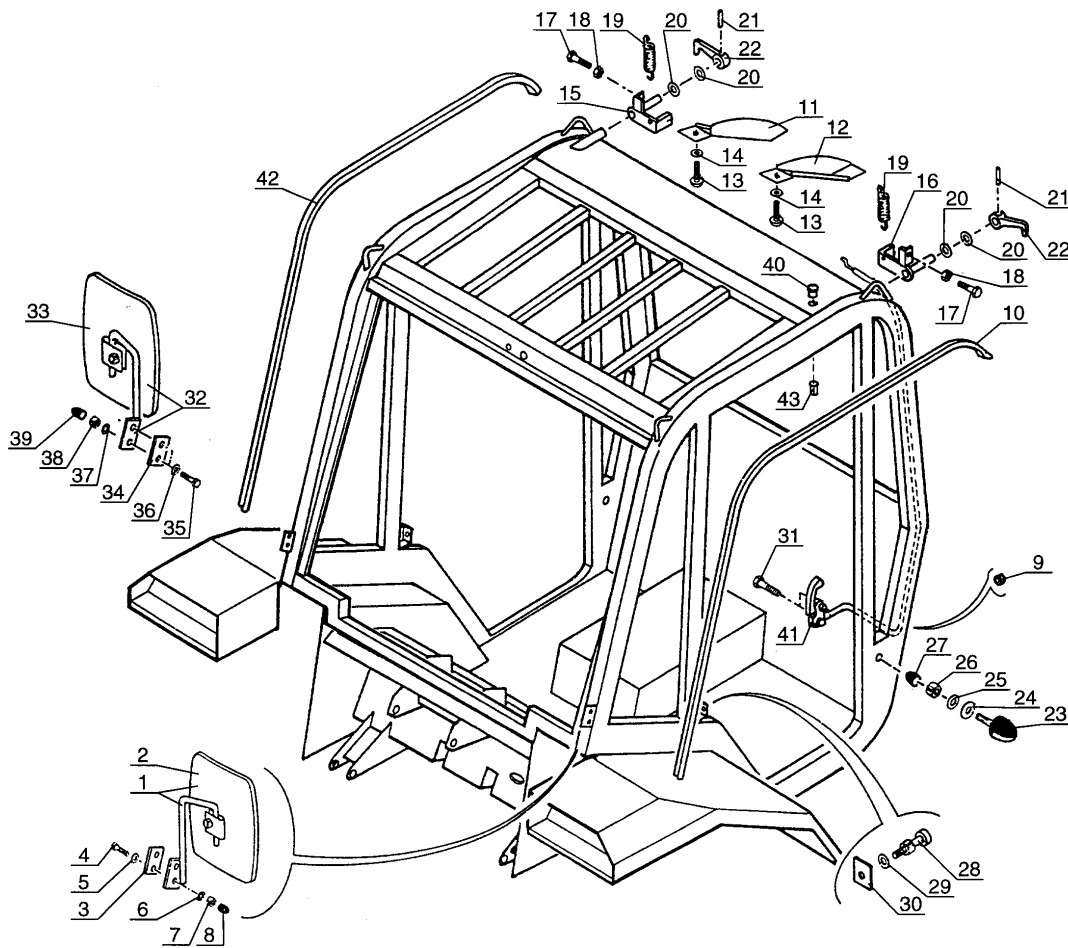
8 A 354

CABINE MCP 20 (Détails)
KABINE MCP 20 (Einzelteile)
CABINA MCP 20 (Detalles)
CAB MCP 20 (Details)

M2 26 CP UK
M2 30 CP UK
M4 26 CP UK
M4 30 CP UK

MC 30 CP
MC 40 CP
MC 50 CP
MC 60 CP
MCE 40 CP

M2 26 CP
M2 30 CP
M4 26 CP
M4 30 CP
M4 40 CP
M4 50 CP



7
E15



8 A 352

CABINE MCP 17 (Détails)
KABINE MCP 17 (Einzelteile)
CABINA MCP 17 (Detalles)
CAB MCP 17 (Details)

M2 26 CP UK
M2 30 CP UK
M4 26 CP UK
M4 30 CP UK

MC 30 CP
MC 40 CP
MC 50 CP
MC 60 CP
MCE 40 CP

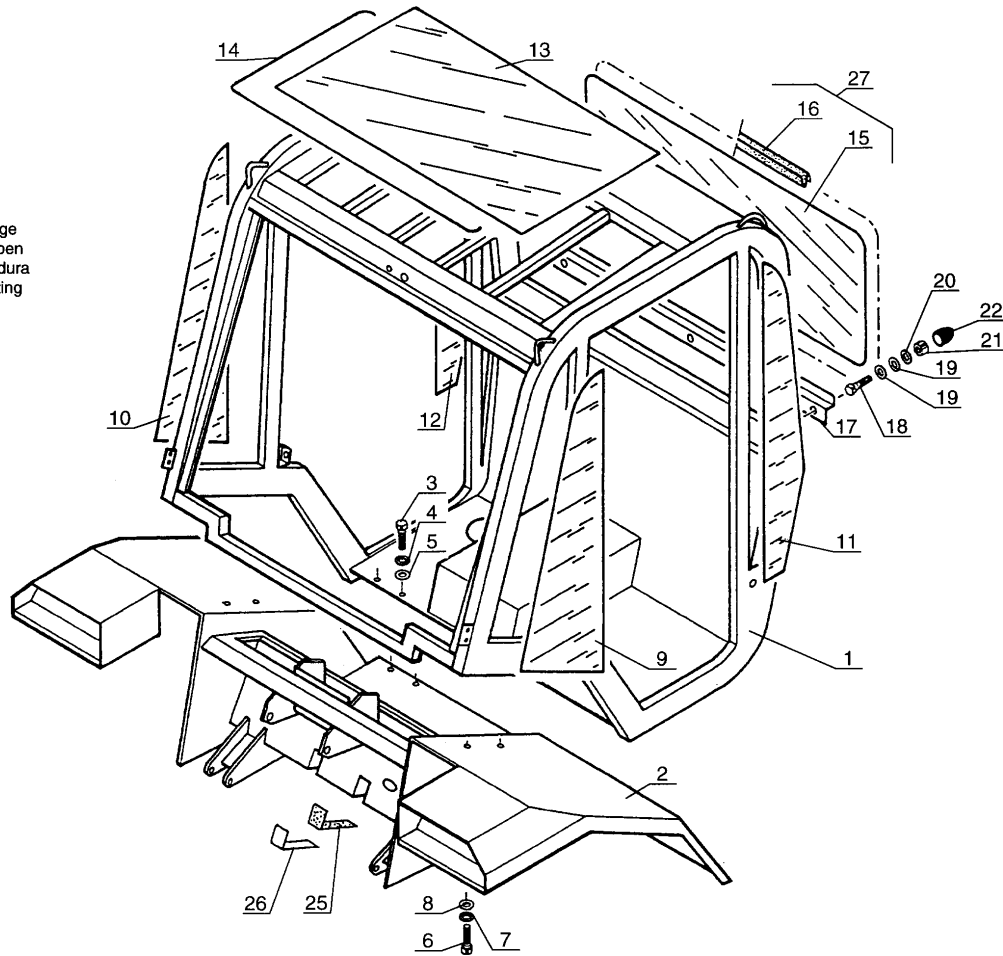
M2 26 CP
M2 30 CP
M4 26 CP
M4 30 CP
M4 40 CP
M4 50 CP



23
Colle
Leim
Cola
Glue



24
Nettoyant avant collage
Reiner Vorher aufkleben
Limpiador antes coladura
Cleaning before plasting



7
H8



Item	Part No.	Name	Characteristics	Qty	Superseded PartNumber	Machine applicability
14	61755	Exterior lock	3 FIXATIONS PAR VIS	1	610113, 200097, 55840F204071, 453835, 455150, 407980	MCE 40 CP, M2 26 CP UK, M4 26 CP, M4 50 CP, M4 30 CP UK, M2 30 CP, M2 30 CP UK, M2 26 CP, M4 30 CP, MC 40 CP, MC 60 CP, MC 50 CP, M4 40 CP, MC 30 CP, M4 26 CP UK
15	181110	In attesa di creazione		1		MCE 40 CP, M2 26 CP UK, M4 26 CP, M4 50 CP, M4 30 CP UK, M2 30 CP, M2 30 CP UK, M2 26 CP, M4 30 CP, MC 40 CP, MC 60 CP, MC 50 CP, M4 40 CP, MC 30 CP, M4 26 CP UK
16	181111	Fastening plate		1		MCE 40 CP, M2 26 CP UK, M4 26 CP, M4 50 CP, M4 30 CP UK, M2 30 CP, M2 30 CP UK, M2 26 CP, M4 30 CP, MC 40 CP, MC 60 CP, MC 50 CP, M4 40 CP, MC 30 CP, M4 26 CP UK
17	202430	Screw		1		MCE 40 CP, M2 26 CP UK, M4 26 CP, M4 50 CP, M4 30 CP UK, M2 30 CP, M2 30 CP UK, M2 26 CP, M4 30 CP, MC 40 CP, MC 60 CP, MC 50 CP, M4 40 CP, MC 30 CP, M4 26 CP UK
18	182024	Screw		1		MCE 40 CP, M2 26 CP UK, M4 26 CP, M4 50 CP, M4 30 CP UK, M2 30 CP, M2 30 CP UK, M2 26 CP, M4 30 CP, MC 40 CP, MC 60 CP, MC 50 CP, M4 40 CP, MC 30 CP, M4 26 CP UK
19	184036	Screw	M5	1		MCE 40 CP, M2 26 CP UK, M4 26 CP, M4 50 CP, M4 30 CP UK, M2 30 CP, M2 30 CP UK, M2 26 CP, M4 30 CP, MC 40 CP, MC 60 CP, MC 50 CP, M4 40 CP, MC 30 CP, M4 26 CP UK
20	178125	Nut	M6	1		MCE 40 CP, M2 26 CP UK, M4 26 CP, M4 50 CP, M4 30 CP UK, M2 30 CP, M2 30 CP UK, M2 26 CP, M4 30 CP, MC 40 CP, MC 60 CP, MC 50 CP, M4 40 CP, MC 30 CP, M4 26 CP UK
21	183125	Button		1		MCE 40 CP, M2 26 CP UK, M4 26 CP, M4 50 CP, M4 30 CP UK, M2 30 CP, M2 30 CP UK, M2 26 CP, M4 30 CP, MC 40 CP, MC 60 CP, MC 50 CP, M4 40 CP, MC 30 CP, M4 26 CP UK
22	182016	GLASS		1		MCE 40 CP, M2 26 CP UK, M4 26 CP, M4 50 CP, M4 30 CP UK, M2 30 CP, M2 30 CP UK, M2 26 CP, M4 30 CP, MC 40 CP, MC 60 CP, MC 50 CP, M4 40 CP, MC 30 CP, M4 26 CP UK
23	182017	GLASS		1		MCE 40 CP, M2 26 CP UK, M4 26 CP, M4 50 CP, M4 30 CP UK, M2 30 CP, M2 30 CP UK, M2 26 CP, M4 30 CP, MC 40 CP, MC 60 CP, MC 50 CP, M4 40 CP, MC 30 CP, M4 26 CP UK

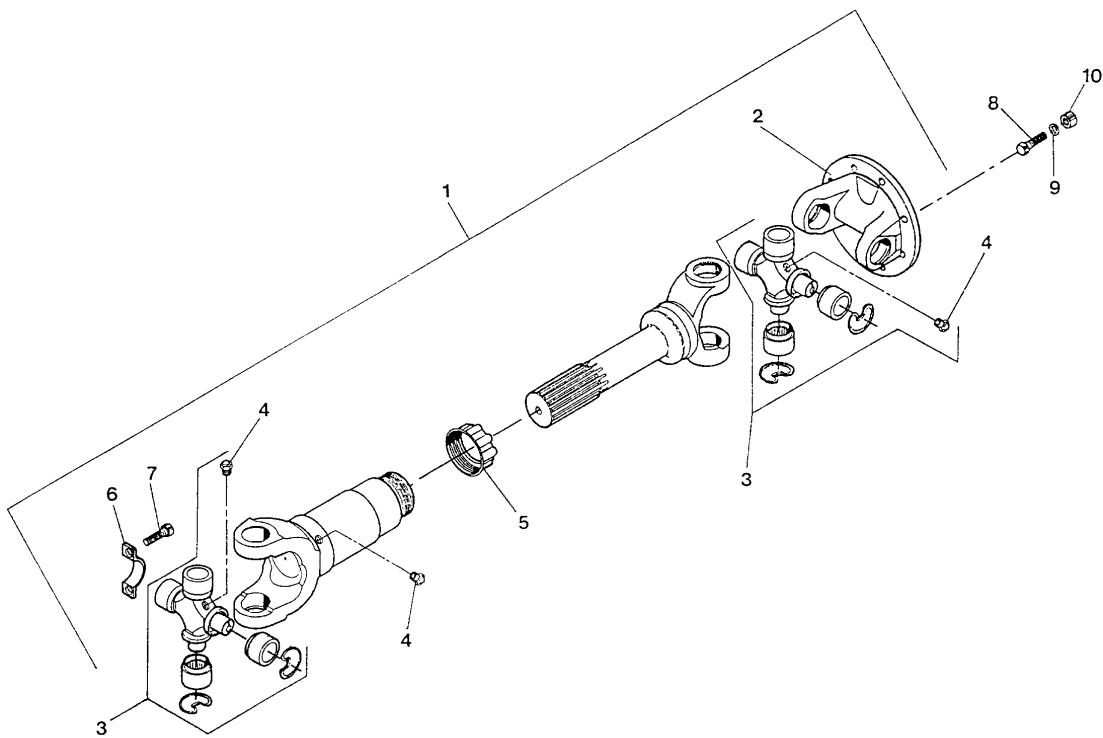
Image does not exist

Item	Part No.	Name	Characteristics	Qty	Superseded PartNumber	Machine applicability
1	253006	Complete seat		1		MCE 40 CP, M2 26 CP UK, M4 26 CP, M4 50 CP, M4 30 CP UK, M2 30 CP, M2 30 CP UK, M2 26 CP, M4 30 CP, MC 40 CP, MC 60 CP, MC 50 CP, M4 40 CP, MC 30 CP, M4 26 CP UK
2	181431	Complete height adjustment		1		MCE 40 CP, M2 26 CP UK, M4 26 CP, M4 50 CP, M4 30 CP UK, M2 30 CP, M2 30 CP UK, M2 26 CP, M4 30 CP, MC 40 CP, MC 60 CP, MC 50 CP, M4 40 CP, MC 30 CP, M4 26 CP UK
3	662004	Plate		1	193627, 181430	MCE 40 CP, M2 26 CP UK, M4 26 CP, M4 50 CP, M4 30 CP UK, M2 30 CP, M2 30 CP UK, M2 26 CP, M4 30 CP, MC 40 CP, MC 60 CP, MC 50 CP, M4 40 CP, MC 30 CP, M4 26 CP UK
4	193628	NO LONGER AVAILABLE		1		MCE 40 CP, M2 26 CP UK, M4 26 CP, M4 50 CP, M4 30 CP UK, M2 30 CP, M2 30 CP UK, M2 26 CP, M4 30 CP, MC 40 CP, MC 60 CP, MC 50 CP, M4 40 CP, MC 30 CP, M4 26 CP UK
5	181429	Complete suspension		1		MCE 40 CP, M2 26 CP UK, M4 26 CP, M4 50 CP, M4 30 CP UK, M2 30 CP, M2 30 CP UK, M2 26 CP, M4 30 CP, MC 40 CP, MC 60 CP, MC 50 CP, M4 40 CP, MC 30 CP, M4 26 CP UK
6	181899	Air spring		1		MCE 40 CP, M2 26 CP UK, M4 26 CP, M4 50 CP, M4 30 CP UK, M2 30 CP, M2 30 CP UK, M2 26 CP, M4 30 CP, MC 40 CP, MC 60 CP, MC 50 CP, M4 40 CP, MC 30 CP, M4 26 CP UK

BP 32

CARDAN DE TRANSMISSION BOITE - ESSIEU AVANT
KARDANKUPPLUNG GETRIEBEKASTEN - VORNACHSE
CARDAN DE TRANSMISION CAJA - EJE DELANTERO
CARDAN COUPLING GEAR BOX - FRONT AXLE

MC 30 CP



4
H12



CLICK HERE TO **DOWNLOAD** THE COMPLETE MANUAL

- Thank you very much for reading the preview of the manual.
- You can download the complete manual from: www.heydownloads.com by clicking the link below



- Please note: If there is no response to CLICKING the link, please download this PDF first and then click on it.

CLICK HERE TO **DOWNLOAD** THE COMPLETE MANUAL