

HIDROMEK®

YÜKLEYİCİ
LOADER

HMK 102B MAESTRO



YEDEK PARÇA KATALOĞU SPARE PARTS CATALOG

SERİ NO / SERIAL NO : A70001- HUSCO
BASKI TARİHİ / EDITION DATE : 06.07.2015
KATALOG NO / CATALOG NO : Y1012590

CLICK HERE TO **DOWNLOAD** THE COMPLETE MANUAL

- Thank you very much for reading the preview of the manual.
- You can download the complete manual from: www.heydownloads.com by clicking the link below



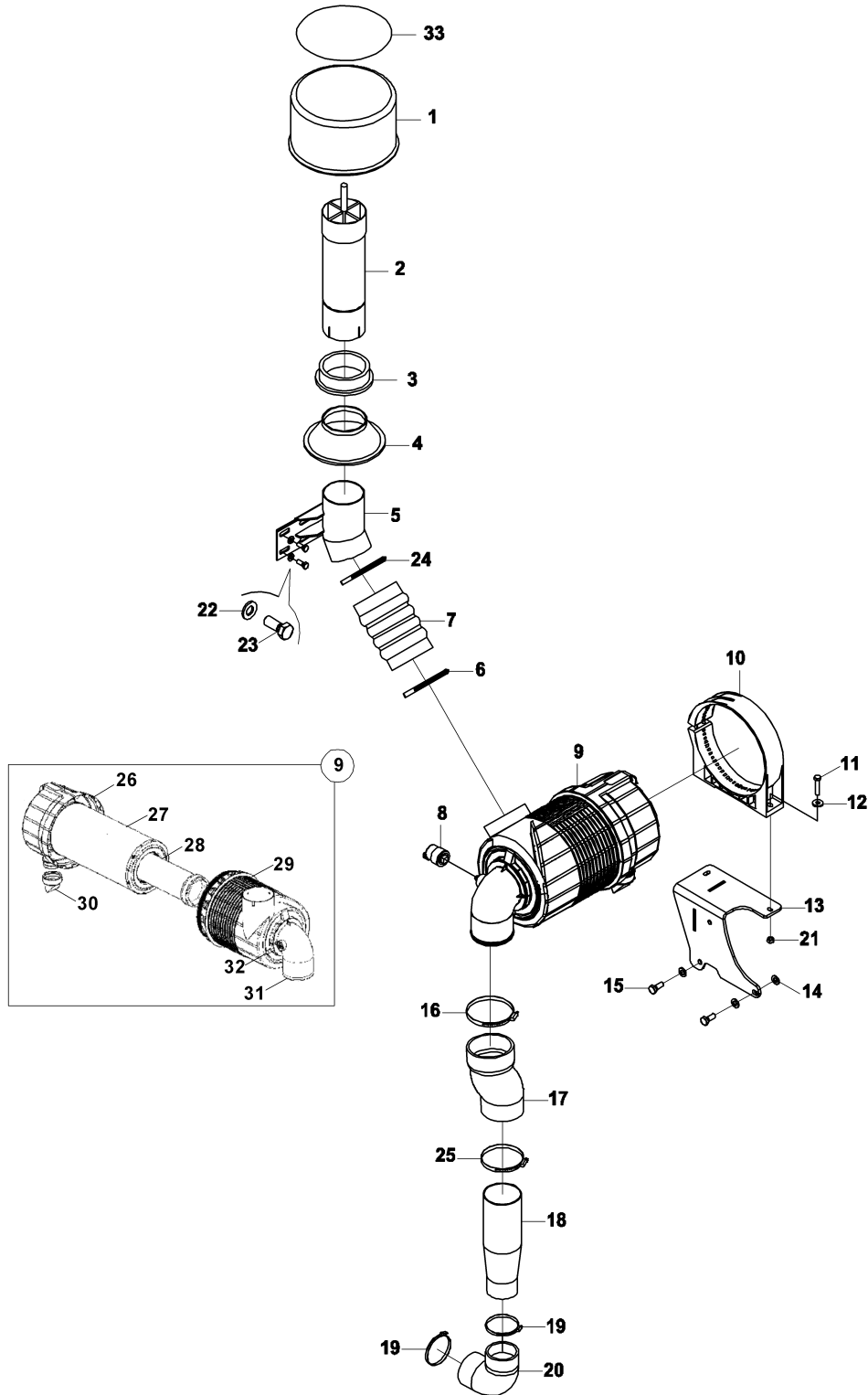
- Please note: If there is no response to CLICKING the link, please download this PDF first and then click on it.

CLICK HERE TO **DOWNLOAD** THE COMPLETE MANUAL

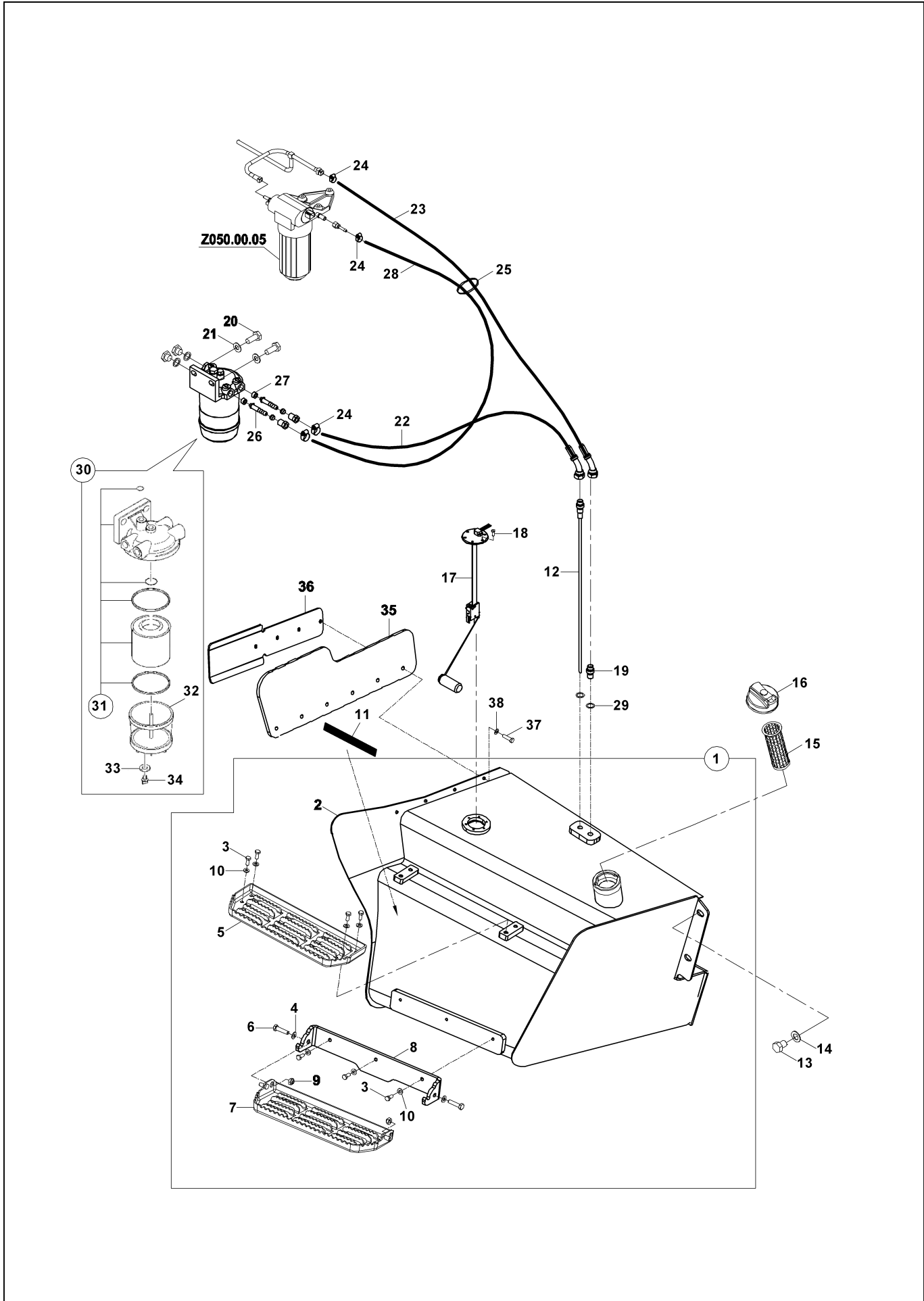
İÇİNDEKİLER / CONTENTS

Z020.00.18	TAPA	BLANKING PLUGS
Z020.00.19	KÖR KAPAK	BLANKING PLATES
Z020.00.20	MOTOR KALDIRMA KULAKLARI	ENGINE LIFTING EYES
Z020.00.21	YARDIMCI DONANIMLAR	MISCELLANEOUS & AUXILIARIES
Z020.00.22	KÖR KAPAK	BLANKING PLATES
Z030.00.01	KARTER, MOTOR 1104D- 44TA	SUMP, ENGINE 1104D- 44TA
Z030.00.02	YAĞ KONTROL ÇUBUĞU BORUSU	DIPSTICK & FILLER TUBE
Z030.00.03	YAĞ EMİŞ BORUSU	OIL STRAINER
Z030.00.04	YAĞ DOLDURMA BORUSU	FILLER
Z030.00.05	YAĞ SOĞUTUCU	OIL COOLER
Z030.00.06	YAĞ FİLTRESİ	OIL FILTER
Z030.00.07	YAĞ FİLTRESİ	REMOTE LUBRICATING OIL FILTER
Z030.00.08	YAĞ POMPASI	LUBRICATING OIL PUMP & DELIVERY HOUSING
Z030.00.09	BESLEME BORUSU	FEED PIPES
Z030.00.10	SIZINTI BORUSU	LEAK-OFF PIPES
Z030.00.11	HAVALANDIRMA SİSTEMİ	BREATHER
Z040.00.01	FAN KASNAĞI	FAN DRIVE
Z040.00.02	SU DEVİRDAİM POMPASI	WATER PUMP
Z040.00.03	BAĞLANTI BORULARI	PIPES
Z040.00.04	TERMOSTAT VE KAPAĞI	WATER OUTLET HOUSING
Z050.00.01	YAKIT PÜSKÜRTME POMPASI	FUEL INJECTION PUMP
Z050.00.02	YAKIT BORULARI	HIGH PRESSURE FUEL PIPES
Z050.00.03	ENJEKTÖRLER	ATOMISERS
Z050.00.04	YAKIT SIZINTI BORUSU	FUEL LEAK-OFF PIPE
Z050.00.05	YAKIT TRANSFER POMPASI	LIFT PUMP
Z050.00.06	PÜSKÜRTME POMPASI BORUSU	INJECTION PUMP TO FILTER PIPE
Z050.00.07	YAKIT BESLEME KONTROL BORUSU	BOOST CONTROL PIPE
Z060.00.01	SOĞUK ÇALIŞTIRMA MÜŞÜRÜ	PICK-UP SENSOR
Z060.00.02	İLK HAREKET MÜŞÜRÜ	PICK-UP SENSOR
Z060.00.03	MARŞ MOTORU	STARTER MOTOR
Z060.00.04	ALTERNATÖR	ALTERNATOR
Z060.00.05	ALTERNATÖR BAĞLANTILARI	ALTERNATOR BRACKET & FIXINGS
Z060.00.06	ALTERNATÖR KASNAĞI	PULLEYS
Z060.00.07	ISITMA BUJİSİ	HEATER PLUGS
Z060.00.08	YAĞ BASINÇ MÜŞÜRÜ	LUBRICATION OIL PRESSURE SWITCHGAUGE
Z060.00.09	SU HARARET MÜŞÜRÜ	TEMPERATURE GAUGE & SENDER
Z070.00.01	TÜRBOŞARJ	TURBOCHARGER
Z070.00.02	EGSOZ DİRSEĞİ VE BAĞLANTILARI	PIPEWORK & CONNECTIONS
Z070.00.03	EGSOZ MANİFOLDU	EXHAUST MANIFOLD
Z070.00.04	BAĞLANTILAR	PIPEWORK & CONNECTION
Z070.00.05	EMME MANİFOLDU	INDUCTION MANIFOLD

HAVA EMİŞ SİSTEMİ (OP)
AIR INTAKE SYSTEM (OP)



YAKIT SİSTEMİ FUEL SYSTEM



B - ŐASI VE KAPORTA

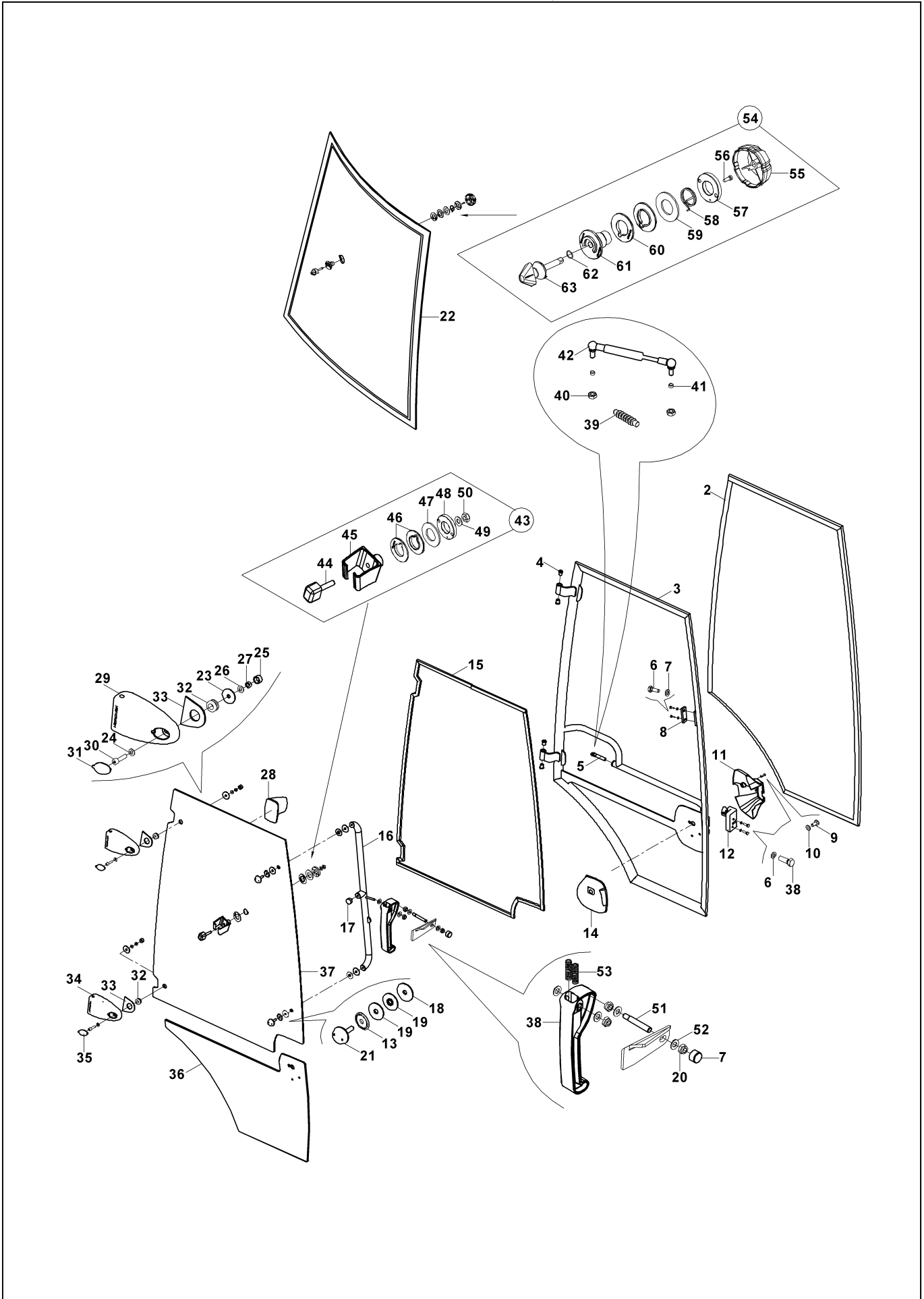
B - FRAME & COWLING

Sayfa No / Page No	Sayfa Adı	Page Name	Revizyon / Revision
B010.12.01	ŐASI, YÜKLEYİCİ	MAIN FRAME, LOADER	
B080.00.01	KAPUT- PANEL- PANJUR- YAN KAPAK MONTAJI	BONNET- PANEL- FRONT GRILL- SIDE COVER MOUNTING	
B090.00.01	ÇAMURLUK, ÖN	FENDER, FRONT	
B090.04.01	ÇAMURLUK, ÖN	FENDER , FRONT	
B100.00.01	ÇAMURLUK, ARKA	FENDER, REAR	
B110.00.01	ARKA AĞIRLIK, YÜKLEYİCİ	COUNTER WEIGHT, LOADER	

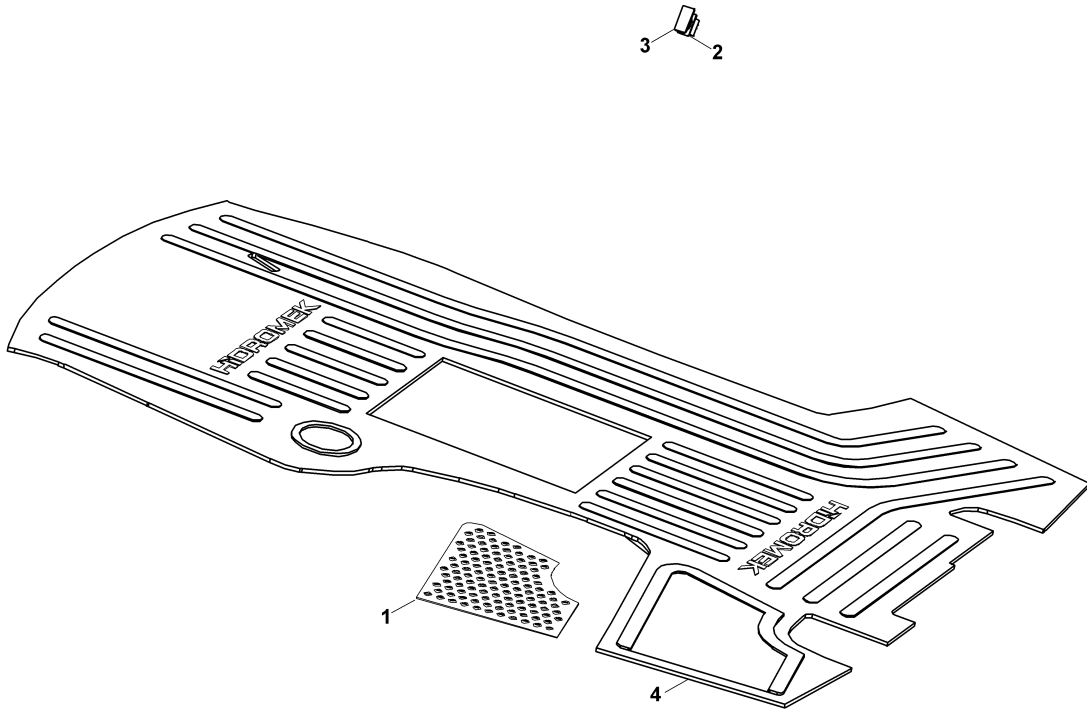
**ÇAMURLUK, ÖN
FENDER , FRONT**

No	Parça No	Parça Adı	Description	Adet	S.K.	Bas.S.N	Bit.S.N	Y.K.	Not
No	Part no			Qty	SC	S/N from	S/N to	ICA	Note
1	01890698	KARKAS KOMPLESİ, ÇAMURLUK, SOL	FRAME ASS'Y, FENDER, LH	1					
2	81400158	TAPA	PLUG	1					
3	N025910062	SOMUN	NUT	4					M8
4	N010233614	CIVATA	BOLT	4					M16x55
5	N030810002	PUL	WASHER	4					M16
6	01992833	KARKAS K.K., ÇAMURLUK, SOL	FRAME W.A., FENDER, LH	1					
7	F9950520	ÇAMURLUK	FENDER, FRONT-LH	1					
8	02012649	SAC	PLATE	2					
9	81400155	CIVATA KAPAĞI	CAP, BOLT	2					
10	N010232174	CIVATA	BOLT	4					M8x35
11	N030020111	PUL	WASHER	4					
12	01890699	KARKAS KOMPLESİ, ÇAMURLUK, SAĞ	FRAME ASS'Y, FENDER, RH	1					
13	81400158	TAPA	PLUG	2					
14	01992834	KARKAS K.K., ÇAMURLUK, SAĞ	FRAME W.A., FENDER, RH	1					
15	N010233614	CIVATA	BOLT	4					M16x55
16	N030810002	PUL	WASHER	4					M16
17	N025910062	SOMUN	NUT	4					M8
18	F9950520	ÇAMURLUK	FENDER, FRONT-LH	1					
19	02012649	SAC	PLATE	2					
20	81400155	CIVATA KAPAĞI	CAP, BOLT	4					
21	N010232174	CIVATA	BOLT	4					M8x35
22	N030020111	PUL	WASHER	4					

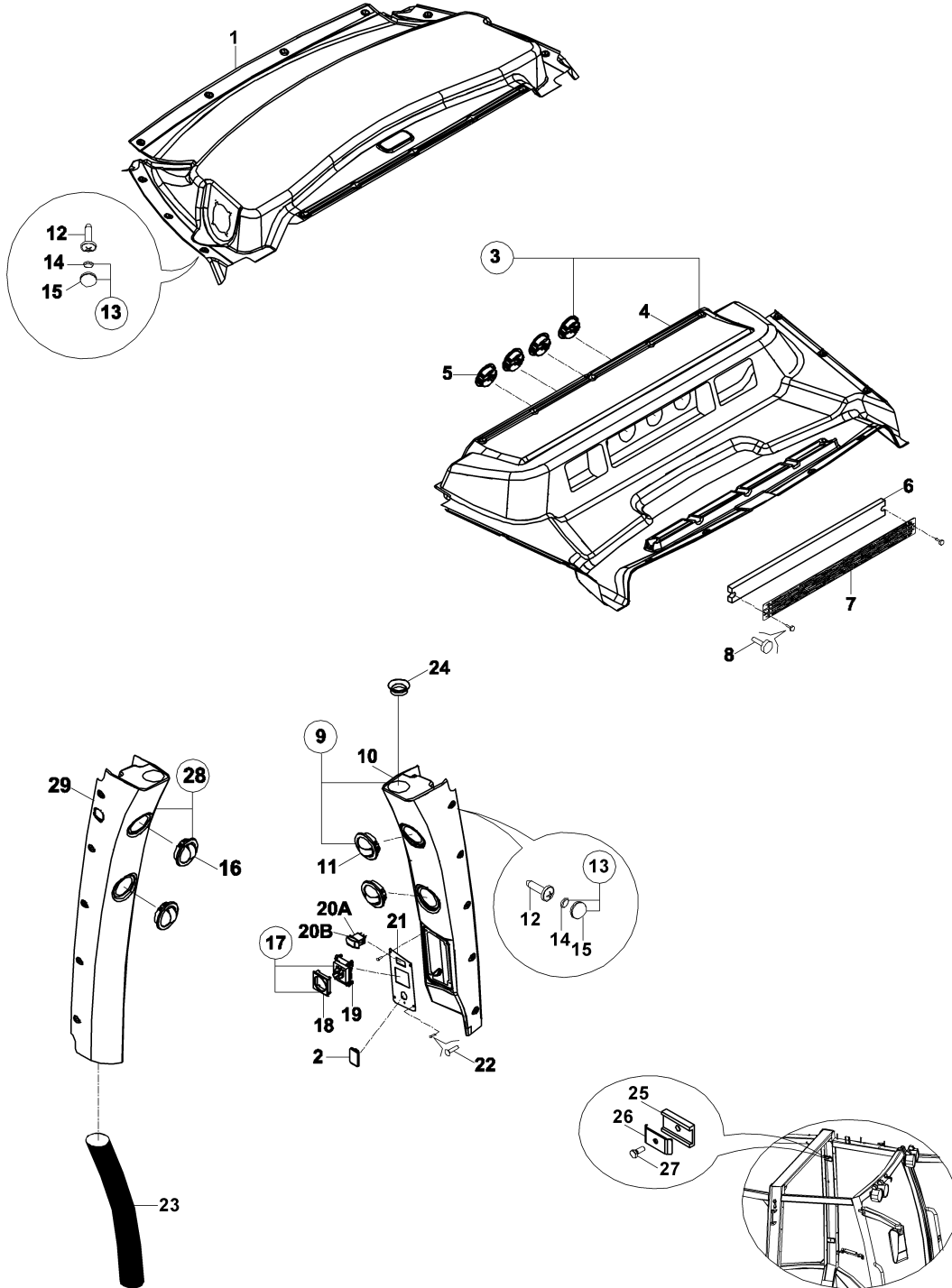
KAPI VE CAMLAR, SAĞ DOOR AND WINDOW, RH



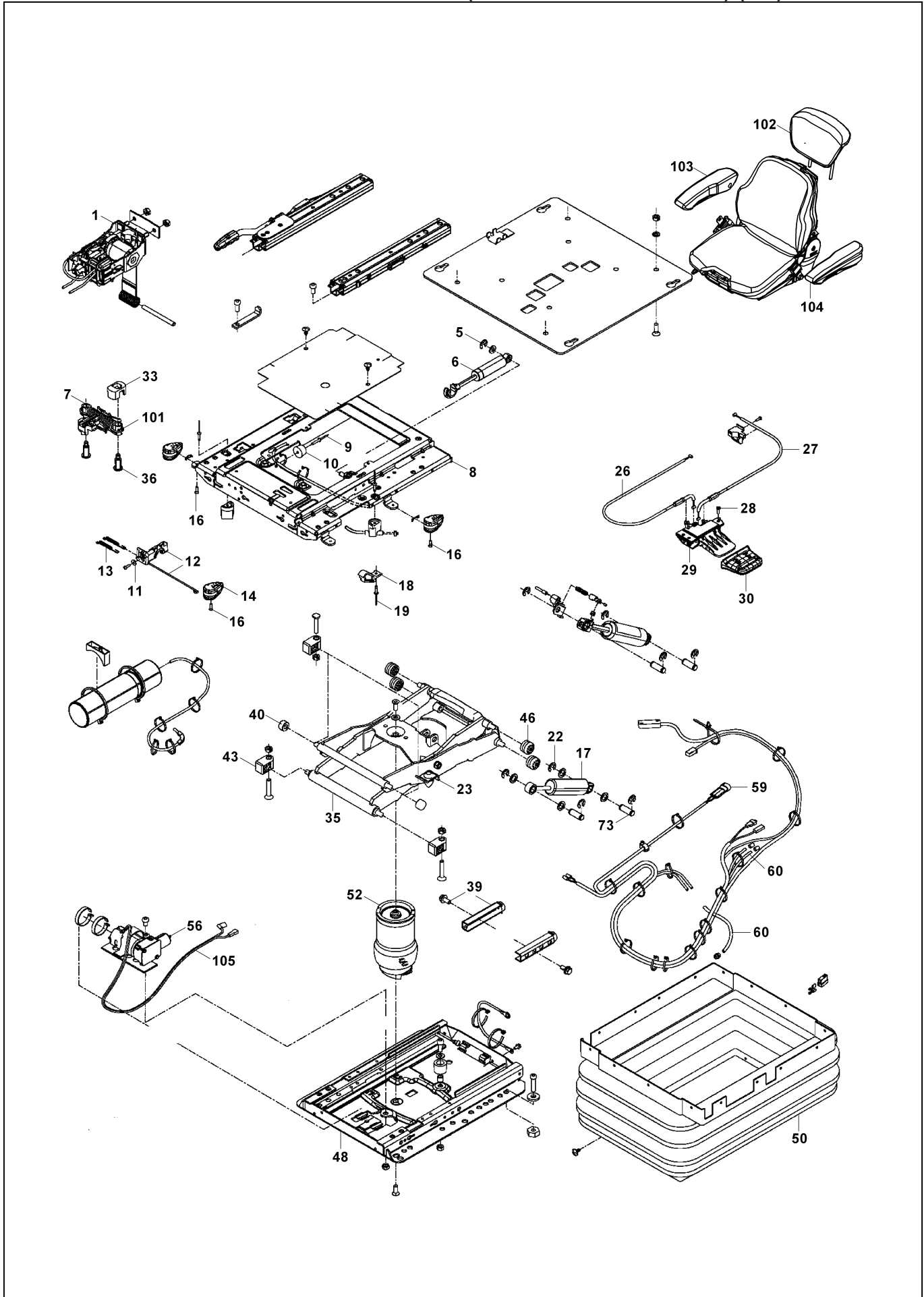
KABİN (YÜKLEYİCİ)
CAB (LOADER)



İÇ TAVAN VE YAN TRİMLER (KLİMALI) (OP)
INTERIOR HEADLINER AND SIDE COVERS (AIR CONDITIONER) (OP)



OPERATOR KOLTUK KOMPLESİ (HAVA SÜSPANSİYONLU) (OP)
OPERATOR SEAT ASSEMBLY (WITH AIR SUSPENSION) (OP)



YÜKLEYİCİ KEPÇE MONTAJI (3)
LOADER ARM MOUNTING (3)

No	Parça No	Parça Adı	Adet	S.K.	Bas.S.N	Bit.S.N	Y.K.	Not
No	Part no	Description	Qty	SC	S/N from	S/N to	ICA	Note
1	N010232114	CIVATA	2					M8x20
2	80104130	PİM	2					
3	N025900122	SOMUN	2					M12
4	N010380986	CIVATA	2					M12x100
5	N010370494	CIVATA	2					M8x80
6	N025900062	SOMUN	2					M8
7	80104120	PİM	2					
8	N081210020	GRESÖRLÜK	4					
9	01990812	EMNİYET SACI	1					
10	F9950050	TUTAMAK	1					
11	F9900470	SABİTLEME PİMİ	1					
12	N050760018	SEGMAN	1					
13	80500486	PUL	1					
14	80102078	PİM	1					
15	N030020111	PUL	2					M8
16	81040069	TAHDİT TAKOZU	2					
17	81040079	TAHDİT TAKOZU	1					
18	N063006042	HALKALI PİM	1					

AÇILIR KEPÇE (1,2 m3)
MULTIPORPUSE BUCKET, LOADER (1,2 m3)

No	Parça No	Parça Adı	Description	Adet	S.K.	Bas.S.N	Bit.S.N	Y.K.	Not
No	Part no			Qty	SC	S/N from	S/N to	ICA	Note
0	01759005	AÇILIR KEPÇE, KOMPLE	SHOVEL, CLAM, ASSY	1					
2	06010646	AÇILIR KEPÇE K.K.	SHOVEL, CLAM W.A.	1					
3	80102016	PİM	PIN	2					
4	N015890535	CIVATA	BOLT	2					M8x75
5	N025910062	SOMUN	NUT	4					M8
6	80104096	PİM	PIN	2					
7	N081210020	GRESÖRLÜK	GREASE NIPPLE	4					
8	N073016003	KELEPÇE	CLAMP BODY	4					
9	N073016002	KELEPÇE ÜST PARÇASI	COVER, CLAMP	2					
10	N010232186	CIVATA	BOLT	2					M8x40
11	81400362	KELEPÇE ALTLIĞI	CLAMP SUPPORT	2					
12	45250813	BORU KOMPLESİ	PIPE ASSY	2					
13	663112N098	HORTUM KOMPLESİ	HOSE ASS'Y	2				C	
14	6631126098	HORTUM KOMPLESİ	HOSE ASS'Y	2				C	
15	01992200	BRAKET	BRACKET	1					
16	N030810015	PUL	WASHER	2					M10
17	66422MB092	HORTUM KOMPLESİ	HOSE ASS'Y	1					
18	66422MB092	HORTUM KOMPLESİ	HOSE ASS'Y	1					
19	06020706	SABİT KANAT-BIÇAK KOMPLESİ	BACK&BLADE ASS'Y	1					
20	81010605	TIRNAK	TOOTH	8					
21	N015610145	CIVATA	BOLT	16					
22	N028660481	SOMUN	NUT	16					
23	06020707	SABİT KANAT K.K.	BLADE, BACK W.A.	1					
24	06020705	HAREKETLİ KANAT K.K.	JAW, CLAMSHOVEL W.A.	1					
25	80104098	PİM	PIN	2					
26	N010232282	CIVATA	BOLT	2					M8x80
27	N025910062	SOMUN	NUT	2					M8
28	N010380493	CIVATA	BOLT	2					M8x80
29	N010232438	CIVATA	BOLT	2					M10x20
30	80630530	NİPEL	ADAPTER	2					
31	80400632	SOMUN	NUT, SPECIAL	2					
32	80630540	NİPEL	ADAPTER	1					
33	02021325	KISICI	RESTRICTOR	1					
34	N102001923	O-RİNG	O-RING	1					
35	80624070	NİPEL	ADAPTER	1					
36	N074080100	KELEPÇE	CLAMP	2					
37	02021737	ÖN BIÇAK	CUTTING EDGE	1					
38	N044331118	CIVATA	SCREW	10					M14x40
39	N030100026	PUL	WASHER	10					M14
40	N023580290	SOMUN	NUT	10					M14

TESVİYE KÜREĞİ (ÇABUK SÖK TAKLI 716x2800)
LEVELLING BLADE (WITH QUICK COUPLER 716x2800)

No	Parça No	Parça Adı	Description	Adet	S.K.	Bas.S.N	Bit.S.N	Y.K.	Not
No	Part no			Qty	SC	S/N from	S/N to	ICA	Note
0	06210530	TESVİYE KÜREĞİ KOMPLESİ	LEVELLING BLADEASS'Y	1					
2	N010232798	CIVATA	BOLT	4					M12x20
3	81109230	PİM	PIN	2					
4	81109220	PİM	PIN	2					
5	N081210020	GRESÖRLÜK	GREASE NIPPLE	6					
6	02021076	ÖN BIÇAK, SOL	CUTTING EDGE, LH	1					
7	02021075	ÖN BIÇAK, SAĞ	CUTTING EDGE, RH	1					
8	N023580314	SOMUN	NUT	18					M16
9	N044321274	CIVATA	BOLT	18					M16x50
10	N030810002	PUL	WASHER	18					
11	N030810001	PUL	WASHER	4					
12	6511120060	HORTUM KOMPLESİ	HOSE ASS'Y	2					
13	6642225055	HORTUM KOMPLESİ	HOSE ASS'Y	1					
14	6642223055	HORTUM KOMPLESİ	HOSE ASS'Y	1					
15	06210532	TESVİYE KÜREĞİ	BLADE, LEVELLING	1					
16	81109235	PİM	PIN	1					
17	06220502	BIÇAK K.K.	BLADE W.A.	1					
18	06220530	ARKALIK KOMPLESİ, TESVİYE KÜREĞİ	BACK SUPPORT ASS'Y, LEVELLING BLADE	1					
19	80403000	SOMUN	NUT	1					
20	N010232078	CIVATA	BOLT	1					M8x16

TOMRUK YÜKLEYİCİ, (HAREKETLİ, Ø500mm)
LOG GRAPPLE, (WITH VERTICAL MOVEMENT Ø500mm)

No	Parça No	Parça Adı	Adet	S.K.	Bas.S.N	Bit.S.N	Y.K.	Not
No	Part no	Description	Qty	SC	S/N from	S/N to	ICA	Note
0	06311606	TOMRUK YÜKLEYİCİ KOMPLESİ, Ø500mm	1	OP				
1	50107002	ELEKTRİK TESİSATI	1					
2	52031090	DÜĞME, SARSINTISIZ YOL YÜRÜYÜŞ	1	OP				
3	52020000	ANAHTAR	1					
4	81404060	TAPA	1					
5	06321621	TUTMA KOLU, TOMRUK	1					
6	N163790038	ADAPTÖR	2					
7	6511121060	HORTUM KOMPLESİ	1					
8	6511121050	HORTUM KOMPLESİ	2					
10	N163430849	NİPEL	4					
11	F1888011	SOLENOİD VALF KOMPLESİ	1					
12	N030000015	O-RİNGLİ PUL	4					
13	N030000015	O-RİNGLİ PUL	2					
14	N163430940	NİPEL	2					
15	66422MB275	HORTUM KOMPLESİ	2					
16	6511124045	HORTUM KOMPLESİ	1					
17	6511121095	HORTUM KOMPLESİ	1					
18	N073020021	KELEPÇE	1					
19	06321616	ARKALIK KOMPLESİ, TOMRUK YÜKLEYİCİ	1					
20	06390056	TAHDİT SACI	1					
21	06321605	ŞASI K.K., TOMRUK YÜKLEYİCİ	1					
22	N081210020	GRESÖRLÜK	8					
23	N030810002	PUL	2					
24	81300400	CIVATA, ÖZEL	4					M24x100
25	80201016	BURÇ	4					
26	81014700	MAKARA	4					
27	N024050362	SOMUN	4					M24
28	N026000290	SOMUN	4					M24
29	N030810006	PUL	4					
30	80201640	YÜKSÜK	4					
31	N050220203	SEGMAN	4					
32	N090201310	RULMAN	4					
33	81010708	BİLEZİK, RULMAN	4					
34	81014430	MİL, MAKARA	4					
35	09900350	FORKLİFT ÇATALI	2					
36	06390055	TAHDİT SACI	1					
37	N010223554	CIVATA	2					M16x30
38	80102077	PİM	2					
39	80101210	PİM	4					
40	80110015	PİM	2					
41	02010789	HALKA	2					
42	80707010	YAY	2					
43	N025910062	SOMUN	8					M8
44	N010380493	CIVATA	8					M8x80
45	80101225	PİM	2					

ÇABUK SÖK TAK (YÜKLEYİCİ KEPÇE)
QUICK COUPLER (LOADER)

No	Parça No	Parça Adı	Adet	S.K.	Bas.S.N	Bit.S.N	Y.K.	Not
No	Part no	Description	Qty	SC	S/N from	S/N to	ICA	Note
0	06811111	ÇABUK SÖK-TAK KOMPLESİ	1					
2	06890201	ARKALIK K.K., SAĞ-DIŞ	1					
3	N156452538	PİM	2					
4	02021012	BORU	2					
5	02021003	ARA PARÇA	2					
6	06890211	ARKALIK K.K., SAĞ-İÇ	1					
7	N030810002	PUL	8					M16
8	N010223578	CIVATA	8					M16x40
9	81014452	MİL	1					
10	02002227	BRAKET	1					
11	06890221	DESTEK K.K.	1					
12	N015892018	CIVATA	2					M8x20
13	N030020111	PUL	2					M8
14	06890216	ARKALIK K.K., SOL-İÇ	1					
15	06890206	ARKALIK K.K., SOL-DIŞ	1					
16	N130020295	PERÇİN	4					
17	02021301	ARA SAC	2					
18	N044321262	CIVATA	8					M16x40
19	N025900194	SOMUN	4					M16x40
20	N010223590	CIVATA	6					M16x40
21	80624324	NİPEL	2					
22	N169900070	ÇABUK BAĞLANTI KOMPLESİ	2					
23	80603312	NİPEL	2					
24	N030000015	O-RİNGLİ PUL	4					
25	02021304	BLOK, VALF	1					
26	N030000005	O-RİNGLİ PUL	4					
27	80624316	NİPEL	3					
28	N183570164	YÜKSÜK	1					
29	N173570164	YÜKSÜKLÜ SOMUN	1					
30	80602117	NİPEL	1					
31	N140010650	KÜRESEL VANA	1					
32	N163430940	NİPEL	2					
33	664222B072	HORTUM KOMPLESİ	2					
34	6020021037	HORTUM KOMPLESİ	2					
35	N163570143	T ADAPTÖR	1					
36	602002K031	HORTUM KOMPLESİ	1					
37	N015892018	CIVATA	1					M20x45
38	02021009	BORU	1					
39	N025910122	SOMUN	2					M12
40	N183570164	YÜKSÜK	1					
41	N173570164	YÜKSÜKLÜ SOMUN	1					
42	N010380986	CIVATA	2					M12x100
43	02021007	BİLEZİK, PİM SABİTLEME	2					
44	80104115	PİM	2					

**TEKER VE LASTİK GRUBU, ARKA
WHEEL & TIRE GROUP, REAR**

No	Parça No	Parça Adı	Adet	S.K.	Bas.S.N	Bit.S.N	Y.K.	Not
No	Part no	Description	Qty	SC	S/N from	S/N to	ICA	Note
1	F4264800	LASTİK, ARKA	2					
2	F4190967	JANT	2					
3	F9906200	LASTİK SUPABI	2					
4	80409600	BİJON SOMUNU	20					

**ÖN AKS, AYNA MAHRUTİ- ZF
FRONT AXLE, BEVER GEAR SET**

No	Parça No	Parça Adı	Description	Adet	S.K.	Bas.S.N	Bit.S.N	Y.K.	Not
No	Part no			Qty	SC	S/N from	S/N to	ICA	Note
110	S0644186	BİLEZİK	RING	NB					S=15,76
110	S0644187	BİLEZİK	RING	NB					S=15,73
110	S0644188	BİLEZİK	RING	NB					S=15,66
110	S0644189	BİLEZİK	RING	NB					S=15,63
110	S0644190	BİLEZİK	RING	NB					S=15,56
110	S0644191	BİLEZİK	RING	NB					S=15,53
110	S0644192	BİLEZİK	RING	NB					S=15,46
110	S0644193	BİLEZİK	RING	NB					S=15,43
110	S0644194	BİLEZİK	RING	NB					S=15,36
110	S0644195	BİLEZİK	RING	NB					S=15,33
110	S0644196	BİLEZİK	RING	NB					S=15,26
110	S0644197	BİLEZİK	RING	NB					S=15,38
110	S0644198	BİLEZİK	RING	NB					S=15,48
110	S0644199	BİLEZİK	RING	NB					S=15,58
110	S0644200	BİLEZİK	RING	NB					S=15,68
110	S0644201	BİLEZİK	RING	NB					S=15,69
110	S0644202	BİLEZİK	RING	NB					S=15,72
110	S0644203	BİLEZİK	RING	NB					S=15,78
110	S0644204	BİLEZİK	RING	NB					S=15,81
110	S0644205	BİLEZİK	RING	NB					S=15,84
110	S0644206	BİLEZİK	RING	NB					S=15,88
110	S0644207	BİLEZİK	RING	NB					S=15,89
110	S0644208	BİLEZİK	RING	NB					S=15,91
110	S0644209	BİLEZİK	RING	NB					S=15,94
110	S0644210	BİLEZİK	RING	NB					S=15,97
150	S0644211	RULMAN	TA.ROLLER BEARING	1					
190	S0644212	YAĞ KEÇESİ	MULTI SEALING RING	1					
270	S0643011	PUL	WASHER	1					S=6
290	S0643012	SOMUN	HEXAGON NUT	1					

**ÖN AKS, POYRA- ZF
FRONT AXLE, HUB**

No	Parça No	Parça Adı	Adet	S.K.	Bas.S.N	Bit.S.N	Y.K.	Not
No	Part no	Description	Qty	SC	S/N from	S/N to	ICA	Note
210	S0642816	PORYA	HUB	2				
290	S0642817	O-RİNG	O-RİNG	2				
400	S0644233	CIVATA	WHEEL STUD	16				

ÖN AKS, AKS BAŞI MONTAJI- ZF
FRONT AXLE, JOINT HOUSING MOUNTING

No	Parça No	Parça Adı	Adet	S.K.	Bas.S.N	Bit.S.N	Y.K.	Not
No	Part no	Description	Qty	SC	S/N from	S/N to	ICA	Note
450	S0691002	CIVATA	4					
470	S0644279	SOMUN	4					

**ARKA AKS, DİFERANSİYEL
REAR AXLE, DIFFERENTIAL**

No	Parça No	Parça Adı	Description	Adet	S.K.	Bas.S.N	Bit.S.N	Y.K.	Not
No	Part no			Qty	SC	S/N from	S/N to	ICA	Note
010	S0642911	DİŞLİ, AKS MILİ	AXLE BEVEL GEAR	1					
012	S0642912	BİLEZİK, DENGELEME	COMPENSATING RING	1					
020	S0642913	DİŞLİ, AKS MILİ	AXLE BEVEL GEAR	1					
030	S0642914	DİŞLİ, İSTAVROZ	DIFFERENTIAL BEVEL GEAR	4					
040	S0642915	BASKI PULU	THRUST WASHER	2					
050	S0642916	BASKI PULU	THRUST WASHER	4					
060	S0642917	İSTAVROZ KUTUSU	DIFFERENTIAL CASE	1					
090	S0642918	İSTAVROZ, DİFERANSİYEL	DIFFERENTIAL SPIDER	1					
100	S0642919	CIVATA	BOLT	16					
130	S0642920	CIVATA	BOLT	4					
150	S0642921	KİLİTLEME YATAĞI	LOCKING SLIDE	1					
160	S0642922	YAY	COMPRESSION SPRING	1					
170	S0642923	RULMAN	AXIAL NEEDLE BEARING	1					
180	S0642924	PİSTON	PISTON	1					
190	S0642925	O-RİNG	O-RING	1					
200	S0642926	O-RİNG	O-RING	1					

**ARKA AKS, AKS KOVAN PARÇALARI
REAR AXLE, AXLE CASING PARTS**

No	Parça No	Parça Adı	Adet	S.K.	Bas.S.N	Bit.S.N	Y.K.	Not
No	Part no	Description	Qty	SC	S/N from	S/N to	ICA	Note
120	S0642018	O-RİNG	4					
150	S0642950	CIVATA	24					
180	S0642942	TAPA	2					
190	S0642952	O-RİNG	8					

ŞANZIMAN, TRANSMİSYON GÖVDESİ (1)
TRANSMISSION, HOUSING (1)

No	Parça No	Parça Adı	Description	Adet	S.K.	Bas.S.N	Bit.S.N	Y.K.	Not
No	Part no			Qty	SC	S/N from	S/N to	ICA	Note
0	S0643558	ŞANZIMAN GÖVDESİ KOMPLESİ	TRANSMISSION HOUSING	1					
020	S0643549	GÖVDE	HOUSING II	1					
050	S0643235	PİM	CYLINDRICAL PIN	2					
100	S0643344	İSİM PLAKASI	TYPEPLATE	1					
100/0 10	S0643236	İSİM PLAKASI	TYPEPLATE	1					
100/0 10	S0643550	İSİM PLAKASI	TYPE PLATE	1					
190	S0642942	TAPA	SCREW PLUG	2					
200	S0643551	BORU K.K.	TUBE	1					
210	S0643501	O-RİNG	O-RING	1					
220	S0643348	CIVATA	BOLT	2					
230	S0643350	O-RİNG	O-RING	6					
234	S0643351	KİLİT SACI	FIXING PLATE	6					
236	S0643256	CIVATA	BOLT	6					
240	S0643353	BORU K.K.	TUBE	1					
250	S0643354	BORU K.K.	TUBE	1					
260	S0643355	BORU K.K.	TUBE	1					

ŞANZIMAN, KAVRAMA (VA)
TRANSMISSION, COUPLING (VA)

No	Parça No	Parça Adı	Description	Adet	S.K.	Bas.S.N	Bit.S.N	Y.K.	Not
No	Part no			Qty	SC	S/N from	S/N to	ICA	Note
510/2 70	S0643292	SEGMAN	SNAP RING	GK					S= 2,75
510/2 70	S0643293	SEGMAN	SNAP RING	GK					S= 3
510/2 70	S0643294	SEGMAN	SNAP RING	GK					S= 3,25
510/2 70	S0643295	SEGMAN	SNAP RING	GK					S= 3,,5
510/2 70	S0643296	SEGMAN	SNAP RING	GK					S= 3,75
510/2 70	S0643297	SEGMAN	SNAP RING	GK					S= 4
530	S0643564	ELEK	NET WIRE	1					
550	S0643413	RULMAN	ROLLER BEARING	1					
560	S0643299	KEÇE, ŞAFT	SHAFT SEAL	1					
570	S0643410	KAPAK, KEÇE	SEALING CAP	1					

**ŞANZIMAN, ÇIKIŞ
TRNASMISSION, OUTPUT**

No	Parça No	Parça Adı	Adet	S.K.	Bas.S.N	Bit.S.N	Y.K.	Not
No	Part no	Description	Qty	SC	S/N from	S/N to	ICA	Note
0	S0643568	ÇIKIŞ FLANŞI KOMPLESİ, ŞANZIMAN	1					
010	S0646480	KEÇE, ŞAFT	1					
020	S0643419	ÇIKIŞ FLANŞI	1					

**ŞANZIMAN, YAĞ POMPASI
TRANSMISSION, OIL PUMP**

No	Parça No	Parça Adı	Adet	S.K.	Bas.S.N	Bit.S.N	Y.K.	Not
No	Part no	Description	Qty	SC	S/N from	S/N to	ICA	Note
0	S0643572	YAĞ POMPASI	1					
010	S0643484	POMPA	1					
012	S0643246	TAPA	1					
020	S0643485	O-RİNG	2					
030	S0643228	PUL	1					
040	S0643135	İĞNELİ RULMAN	1					
050	S0643486	DİSK	1					
060	S0643487	DURDURUCU KOVAN	1					
070	S0643488	O-RİNG	1					
080	S0643489	CIVATA	4					

CLICK HERE TO **DOWNLOAD** THE COMPLETE MANUAL

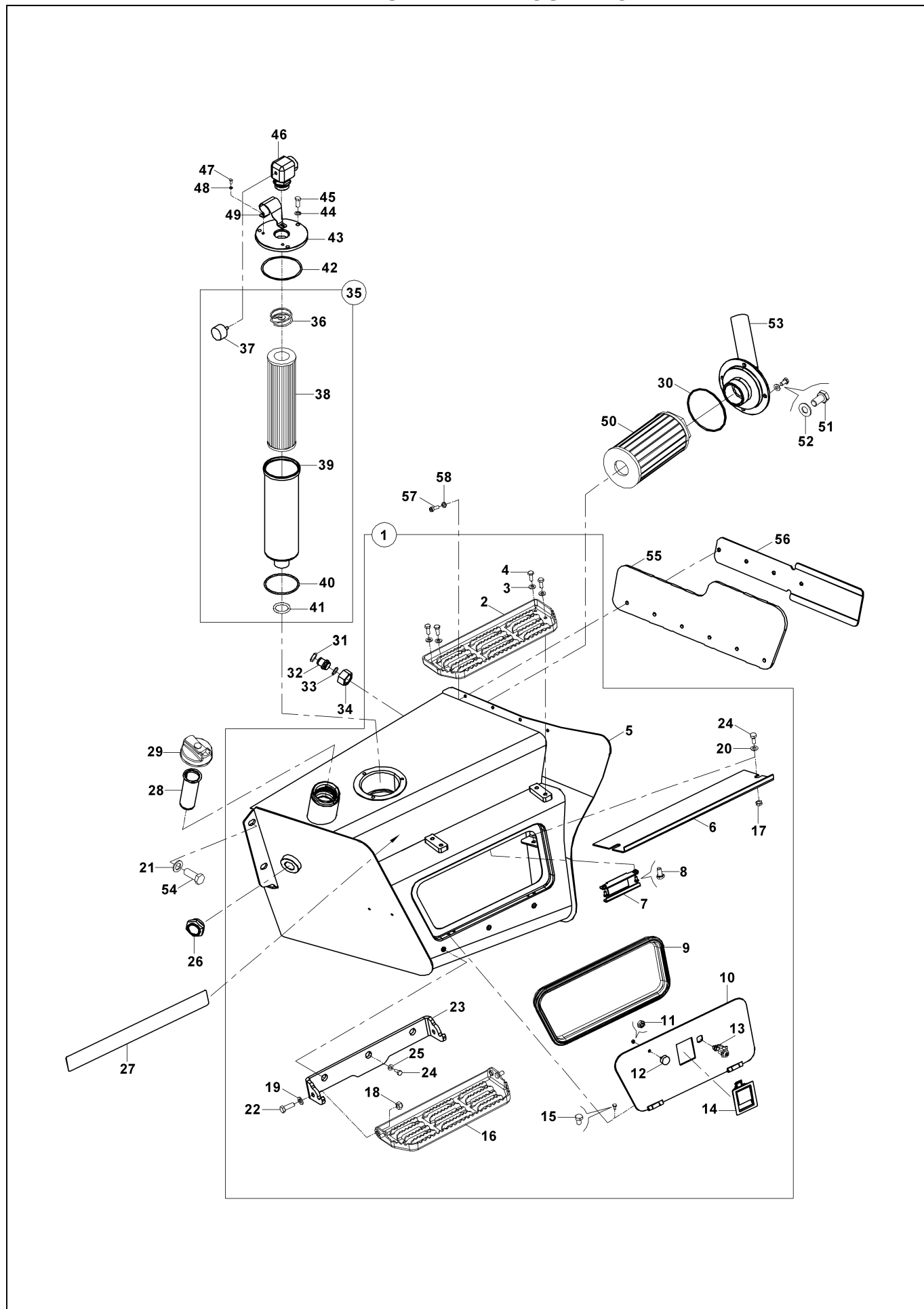
- Thank you very much for reading the preview of the manual.
- You can download the complete manual from: www.heydownloads.com by clicking the link below



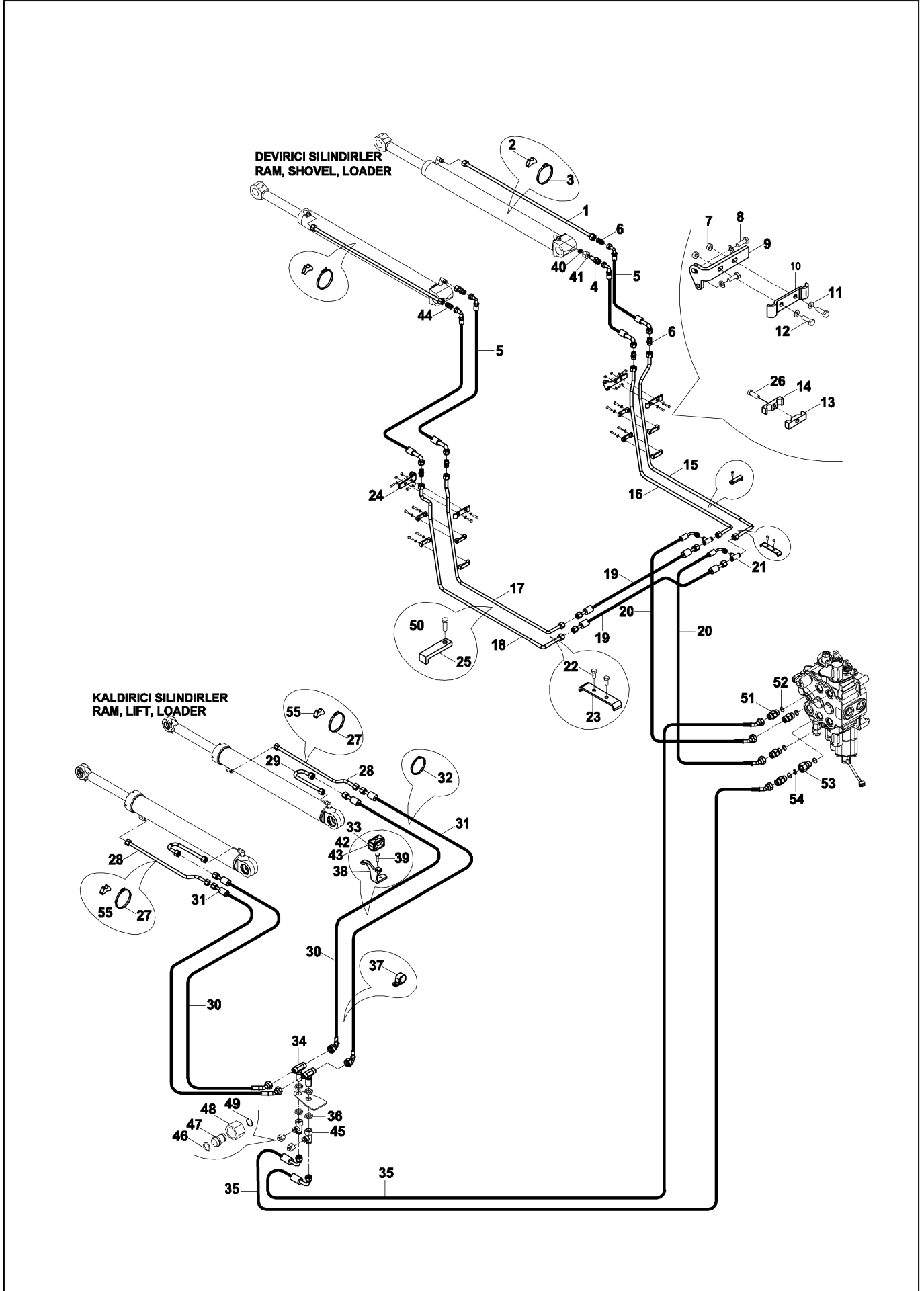
- Please note: If there is no response to CLICKING the link, please download this PDF first and then click on it.

CLICK HERE TO **DOWNLOAD** THE COMPLETE MANUAL

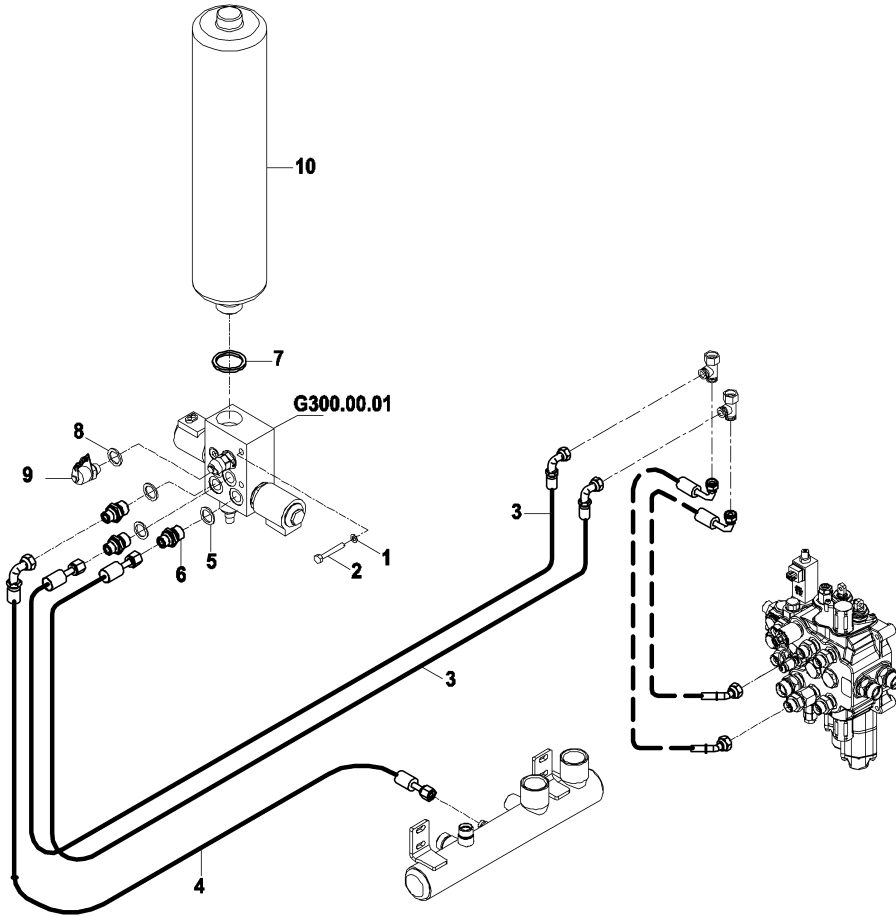
HİDROLİK TANK MONTAJI HYDRAULIC TANK MOUNTING



YÜKLEYİCİ HİDROLİK TESİSATI, SABİT KEPÇELİ (TİP A)
LOADER HYD. PIPING, SHOVEL (TYPE A)



YÜKLEYİCİ HİDROLİK TESİSATI, MSS (TİP A & TİP B)
LOADER HYDRAULIC PIPING, MSS (TYPE A & TYPE B)



**YÜKLEYİCİ KUMANDA VALFİ- SABİT KEPÇE
LOADER CONTROL VALVE, GP BUCKET**

No	Parça No	Parça Adı	Description	Adet	S.K.	Bas.S.N	Bit.S.N	Y.K.	Not
No	Part no			Qty	SC	S/N from	S/N to	ICA	Note
0	F1821111	YÜKLEYİCİ KUMANDA VALFİ	LOADER CONTROL VALVE	1					
1	S1832010	GÖVDE, YÜKLEYİCİ KUMANDA	LOADER VALVE HOUSING	1					
2	S1830620	SOLENOİD VALF	BODY-SOLENOID	1					
3	S1830653	BOBİN	COIL, SOLENOID	1					
4	S1830643	SOMUN	NUT	1					
5	S1830444	GÖVDE, GİRİŞ	HOUSING INLET	1					
6	S1831190	O-RİNG	O-RING	1					
7	S1830443	SAPLAMA	TIE ROD	1					
8	S1830442	SAPLAMA	TIE ROD	2					
9	S1830431	SOMUN	NUT	1					
10	S1830436	SOMUN	NUT	2					
11	S1830760	ÇEK VALF KİTİ	KIT-CHECK VALVE	1					
12	S1830761	ÇEK VALF KİTİ	KIT-CHECK VALVE	1					
13	S1830595	MANYETİK MANDAL	DETENT ASS'Y, MAGNETIC	1					
14	S1200030	SÜRGÜ KAPAĞI KOMPLESİ	SPOOL END ASSY. DETENT	1					
15	S1830611	SÜRGÜ	SPOOL-FLOAT, IN	1					
16	S1200024	SÜRGÜ	SPOOL	1					
17	S1830752	KÖRÜK KOMPLESİ	BOOT ASS'Y	1					
18	S1830644	KÖRÜK KOMPLESİ	BOOT ASS'Y	1					
19	S1831800	SÜRGÜ KOMPLESİ	SPOOL- UNLOADER	1					
20	S1830433	TAPA	PLUG ASSY.- SAE	2					
A	S1846105	EMNİYET VALFİ	RELIEF VALVE	1					
A	S1830720	TAMİR TAKIMI, EMNİYET VALFİ	SERVIS KIT	1					
B	S1829970	YÜKSÜZLEŞTİRME PİLOT VALF KOMPLESİ	UNLOADER PILOT ASS'Y. PILOT VALVE	1					
B	S1831274	TAMİR TAKIMI, YÜKSÜZLEŞTİRME PİLOT VALFİ	SERVICE KIT, UNLOADER PILOT VALVE	1					
C	S1830775	ANTİŞOK VALFİ	RELIEF VALVE ASS'Y	1					
C	S1200060	TAMİR TAKIMI	RV SEAL KIT	1					
D	S1830772	ANTİŞOK VALFİ	RELIEF VALVE ASS'Y	1					
D	S1200060	TAMİR TAKIMI	RV SEAL KIT	1					
E	S1830771	TAPA	PLUG	1					

ÇABUK SÖK- TAK SİLİNDİRİ, YÜKLEYİCİ (OP)
QUICK COUPLER CYLINDER, LOADER (OP)

No	Parça No	Parça Adı	Description	Adet	S.K.	Bas.S.N	Bit.S.N	Y.K.	Not
No	Part no			Qty	SC	S/N from	S/N to	ICA	Note
0	15620150	SİLİNDİR KOMPLESİ, ÇABUK SÖK-TAK	CYLINDER ASS'Y, QUICK COUPLER	1					
1	S4890300	KEÇE TAKIMI, BOĞAZ	SEAL KIT, HEAD	2	(K2)				
2	45151516	TESİSAT BORUSU	PIPE	1					
3	80624316	NİPEL	ADAPTER	1					
4	N163570157	T ADAPTÖR	TEE	1					
5	N030000005	O-RİNGLİ PUL	WASHER	1					
6	45151515	TESİSAT BORUSU	PIPE	1					
7	N173570164	YÜKSÜKLÜ SOMUN	NUT	2					
8	N183570164	YÜKSÜK	RING	2					
9	15620151	SİLİNDİR KOMPLESİ, ÇABUK SÖK-TAK	CYLINDER ASS'Y, QUICK COUPLER	1					
10	20920045	SİLİNDİR BORUSU K.K.	CYLINDER TUBE W.A.	1					
11	20042010	SİLİNDİR MILİ	CYLINDER ROD	2					
12	N050221220	SEGMAN	RETAINING RING	2					
13	N105303807	TOZ KEÇESİ	SEAL DUST	1	K2				
14	N104304007	BOĞAZ KEÇESİ	SEAL, HEAD	1	K2				
15	N102004535	O-RİNG	O-RING	1	K2				
16	20200700	BOĞAZ, SİLİNDİR	HEAD, CYLINDER	2					
17	N103345018	PİSTON KEÇESİ	SEAL, PISTON	1	K1				
18	N102002935	O-RİNG	O-RING, PISTON	1	K1				
19	N153430438	SETSKUR	SETSCREW	2					
20	20100500	PİSTON	PISTON	2					
21	S4880300	KEÇE TAKIMI, PİSTON	SEAL KIT, PISTON	2	(K1)				

TOMRUK YÜKLEYİCİ SİLİNDİRİ (OP)
LOG GRAPPLE CYLINDER (OP)

No	Parça No	Parça Adı	Description	Adet	S.K.	Bas.S.N	Bit.S.N	Y.K.	Not
No	Part no			Qty	SC	S/N from	S/N to	ICA	Note
0	15420201	SİLİNDİR KOMPLESİ, TOMRUK ATAŞMANI	CYLINDER ASS'Y, LOG GRAPPLE	1					
1	N107405506	TAMPON KEÇE	BUFFER SEAL	1	K2				
2	N050220200	SEGMAN	RETAINING RING	2					
3	20920561	SİLİNDİR BORUSU K.K.	CYLINDER TUBE W.A.	1					
4	N043120686	SETSKUR	PIN	1					
5	N099001060	BİLYE	BALL	1					
6	20120450	PİSTON	PISTON	1					
7	N101657056	YATAKLAMA BANDI, PİSTON	WEAR RING, PISTON	2	K1				
8	N103587000	PİSTON KEÇESİ	PISTON SEAL	1	K1				
9	N102004035	O-RİNG, PİSTON	O-RING, PISTON	1	K1				
10	S4880710	KEÇE TAKIMI, PİSTON	SEAL KIT, PISTON	1	(K1)				
11	20700410	BURÇ, MAFSAL	BUSHING, SPHERICAL	1					
12	N081210020	GRESÖRLÜK	GREASE NIPPLE	1					
13	20842030	SİLİNDİR MİLİ K.K.	CYLINDER ROD W.A.	1					
14	20314070	BOĞAZ KAPAĞI	HEAD COVER	1					
15	N104405013	TOZ KEÇESİ	SEAL, HEAD	1	K2				
16	N105404805	TOZ KEÇESİ	SEAL DUST	1	K2				
17	N100404597	YATAKLAMA BANDI	GUIDE RING, HEAD	2	K2				
18	20214070	BOĞAZ, SİLİNDİR	HEAD, CYLINDER	1					
19	N102006440	O-RİNG	O-RING	1	K2				
20	S4891210	KEÇE TAKIMI, BOĞAZ	SEAL KIT, HEAD	1	(K2)				
21	20700400	BURÇ, MAFSAL	BUSHING, SPHERICAL	1					
22	N102008030	O-RİNG, BOĞAZ	O-RING, CLINDER HEAD	1	K2				
23	N102006420	O-RİNG, BOĞAZ	O-RING, CLINDER HEAD	1	K2				

J - FREN SİSTEMİ
J - BRAKE SYSTEM

Sayfa No /
Page No

Sayfa Adı

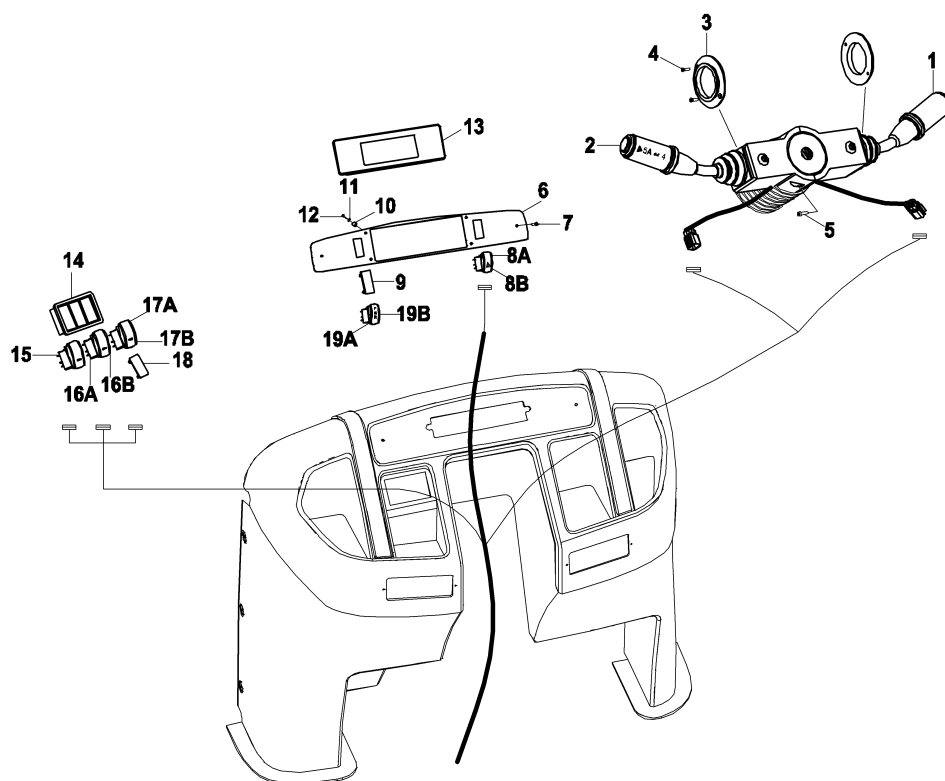
Page Name

Revizyon /
Revision

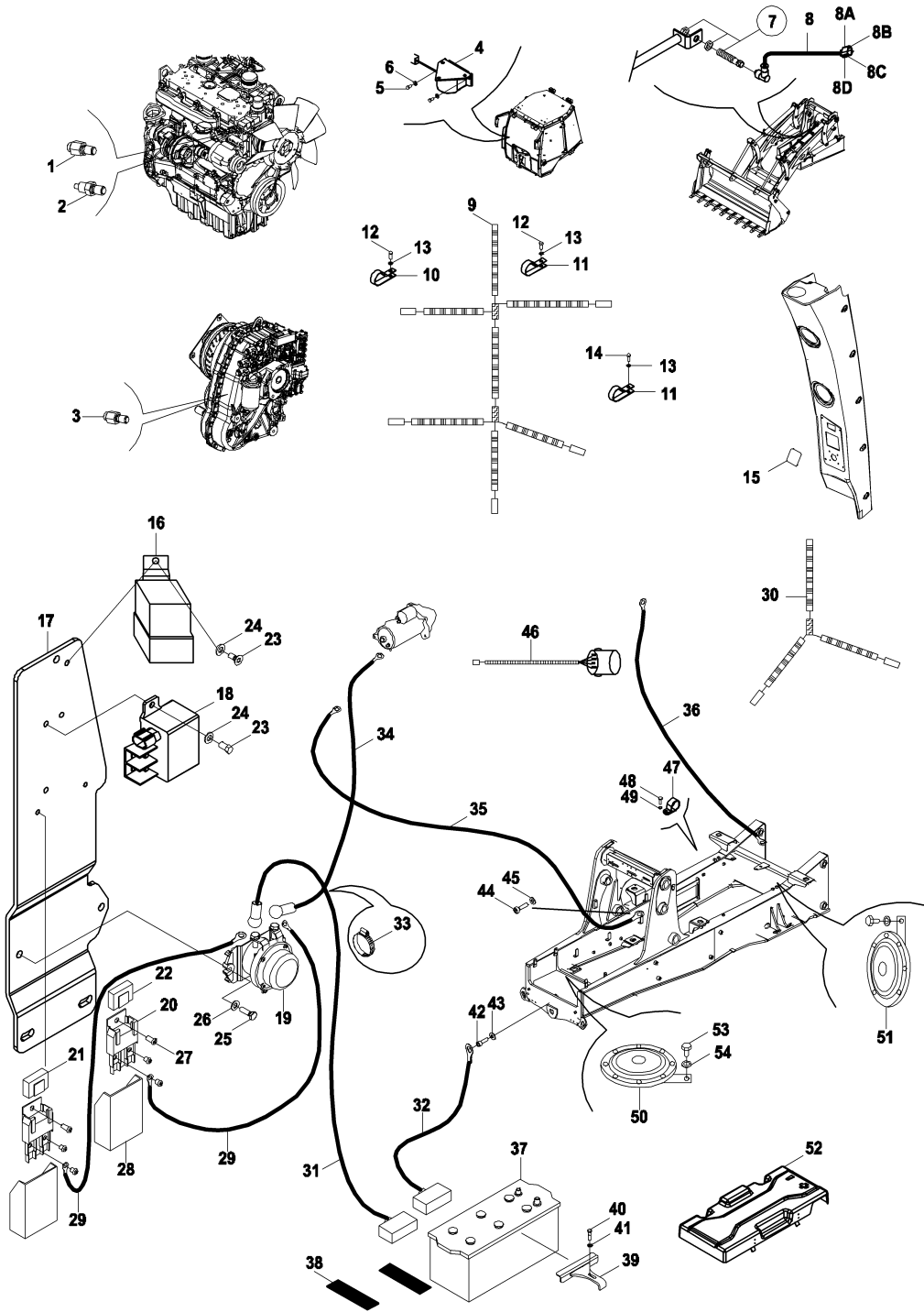
J010.02.01

TESISAT KOMP,FREN, ZF

HYDRAULIC PIPING, BRAKE, ZF

KABİN ELEKTRİĞİ (2)
CAB ELECTRIC (2)

ELEKTRİK(1) ELECTRIC(1)



Y - DİĞERLERİ (ETİKET, AVADANLIK)
Y - OTHERS (DECAL, TOOLS)

Sayfa No / Page No	Sayfa Adı	Page Name	Revizyon / Revision
Y010.08.01	ETİKET VE LEVHALAR	DECAL AND PLATES	
Y020.65.01	ETİKET VE LEVHALAR (TÜRKÇE) (2)	DECAL AND PLATES (TR) (2)	
Y040.00.01	AVADANLIK TAKIMI	TOOL KIT	

**MOTOR
ENGINE**

No	Parça No	Parça Adı	Adet	S.K.	Bas.S.N	Bit.S.N	Y.K.	Not
No	Part no	Description	Qty	SC	S/N from	S/N to	ICA	Note
1	F0123083	MOTOR, 1104D-44TA, TIER3	ENGINE, 1104D-44TA, TIER3	1				(1)

**VOLAN
FLYWHEEL**

No	Parça No	Parça Adı	Adet	S.K.	Bas.S.N	Bit.S.N	Y.K.	Not
No	Part no	Description	Qty	SC	S/N from	S/N to	ICA	Note
1	F0141105	VOLAN KOMPLESİ	1					
4	F0132132	CIVATA	10					
5	F0133136	PUL	10					

BİYEL KOLU CONNECTING RODS

No	Parça No	Parça Adı	Adet	S.K.	Bas.S.N	Bit.S.N	Y.K.	Not
No	Part no	Description	Qty	SC	S/N from	S/N to	ICA	Note
1	F0141192	BİYEL KOLU TAKIMI	4				Y	F - KIRMIZIRED
1	F0141187	BİYEL KOLU TAKIMI	4				Y	G - PORTAKAL ORANGE
1	F0141191	BİYEL KOLU TAKIMI	4				Y	H - BEYAZWHITE
1	F0141192	BİYEL KOLU TAKIMI	4				Y	J - YEŞİLGREEN
1	F0141193	BİYEL KOLU TAKIMI	4				Y	K - MORPURPLE
1	F0141195	BİYEL KOLU TAKIMI	4				Y	L - MAVİBLUE
3	F0131087	BURÇ	1					
4	F0131797	CIVATA	2					

ZAMANLAMA DİŐLİSİ KAPAĐI (2)
TIMING CASE (2)

No	Parça No	Parça Adı	Adet	S.K.	Bas.S.N	Bit.S.N	Y.K.	Not
No	Part no	Description	Qty	SC	S/N from	S/N to	ICA	Note
1	F0141117	AVARE DİŐLİ KOMPLESİ	1					
4	F0133106	GÖBEK, AVARE DİŐLİ	1					
5	F0132432	BAĐLANTI PULU	1					
6	F0123172	CIVATA	3					
7	F0131181	DİŐLİ, KAM MİLİ	1					
8	F0133220	PUL	1					
9	F0121110	PİM	1					
10	F0131160	BASKI PULU	1					
11	F0123120	CIVATA	1					

**MOTOR KALDIRMA KULAKLARI
ENGINE LIFTING EYES**

No	Parça No	Parça Adı	Adet	S.K.	Bas.S.N	Bit.S.N	Y.K.	Not
No	Part no	Description	Qty	SC	S/N from	S/N to	ICA	Note
1	F0136120	SAC, MOTOR KALDIRMA	1					
2	F0123123	CIVATA	2					
3	F0136220	SAC, MOTOR KALDIRMA	1					
4	F0123123	CIVATA	2					

**YAĞ EMIŞ BORUSU
OIL STRAINER**

No	Parça No	Parça Adı	Adet	S.K.	Bas.S.N	Bit.S.N	Y.K.	Not
No	Part no	Description	Qty	SC	S/N from	S/N to	ICA	Note
1	F0135725	BORU	1					
2	F0136858	CONTA	1					
3	F0117985	CIVATA	2					

YAĞ POMPASI
LUBRICATING OIL PUMP & DELIVERY HOUSING

No	Parça No	Parça Adı	Adet	S.K.	Bas.S.N	Bit.S.N	Y.K.	Not
No	Part no	Description	Qty	SC	S/N from	S/N to	ICA	Note
1	F0110482	YAĞ POMPASI	1					
2	F0123125	CIVATA	5					

**SU DEVİRDAİM POMPASI
WATER PUMP**

No	Parça No	Parça Adı	Adet	S.K.	Bas.S.N	Bit.S.N	Y.K.	Not
No	Part no	Description	Qty	SC	S/N from	S/N to	ICA	Note
1	F0181594	SU POMPASI KOMPLESİ	1					
4	F0124861	CONTA	1					
5	F0136835	CONTA	1					
6	F0123112	CIVATA	2					
7	F0123111	CIVATA	2					
8	F0123113	CIVATA	5					

**ENJEKTÖRLER
ATOMISERS**

No	Parça No	Parça Adı	Adet	S.K.	Bas.S.N	Bit.S.N	Y.K.	Not
No	Part no	Description	Qty	SC	S/N from	S/N to	ICA	Note
1	F0126424	ENJEKTÖR KOMPLESİ	4					
4	F0126426	KEÇE	1					
5	F0133910	PUL	1					
6	F0137550	KELEPÇE	4					
7	F0123132	CIVATA	4					

**SOĞUK ÇALIŞTIRMA MÜŞÜRÜ
PICK-UP SENSOR**

No	Parça No	Parça Adı	Adet	S.K.	Bas.S.N	Bit.S.N	Y.K.	Not
No	Part no	Description	Qty	SC	S/N from	S/N to	ICA	Note
1	F0128410	SENSÖR, SICAKLIK	1					
		WATER TEMPERATURE SENSOR						
2	F0131612	ELEKTRİK TESİSATI	1					
		HARNESS						

**EGSOZ DİRSEĞİ VE BAĞLANTILARI
PIPEWORK & CONNECTIONS**

No	Parça No	Parça Adı	Adet	S.K.	Bas.S.N	Bit.S.N	Y.K.	Not
No	Part no	Description	Qty	SC	S/N from	S/N to	ICA	Note
1	F0137610	BORU DİRSEK, EGZOZ	1					
2	F0138238	BRAKET	1					
3	F0133478	BAĞLANTI PARÇASI	1					
4	F0123104	CIVATA	3					
5	F0123103	CIVATA	3					
6	F0123150	SAPLAMA	1					
7	F0118029	SOMUN	3					
8	F0136828	CIVATA	3					

INDEX

Parça No	Sayfa No	No
Part no	Page No	No
01992963	B110.00.01	5
01992990	A090.01.01	36
01992996	A050.01.01	30
01993000	B080.00.01	8
01993002	B080.00.01	26
01993003	B080.00.01	28
01993004	K020.15.01	39
01993005	B080.00.01	66
01993006	B080.00.01	15
01993007	B080.00.01	12
01993033	D010.00.01	38
01993034	D010.00.01	39
01993035	D010.00.01	4
01993036	D010.00.01	8
01993038	A030.02.01	5
01993038	A030.03.01	5
01993060	B110.00.01	2
01993077	K050.00.01	5
02000270	D020.00.01	28
02000270	D020.02.01	33
02001519	E010.00.01	12
02001607	D010.00.01	10
02002208	A090.01.02	16
02002227	D070.00.01	10
02002241	C140.00.01	8
02002241	C140.01.01	8
02002345	B080.00.01	1
02002510	F020.00.01	37
02002510	F020.02.01	37
02002510	F020.04.01	37
02002510	F020.05.01	37
02002594	C100.01.01	21
02002595	C100.00.01	9
02002746	C060.04.01	1
02002788	E070.01.01	9
02002851	C050.00.01	16
02002907	B080.00.01	51
02002996	A050.01.01	12
02003006	A050.01.01	9
02003141	K010.00.02	6
02009082	K050.00.01	6
02009083	K050.00.01	7
02009087	C070.00.01	12
02009087	C130.00.01	38
02010023	A010.01.01	45
02010256	F010.00.01	6
02010789	D040.04.01	33
02010789	D050.01.01	41
02010789	D050.02.01	41
02010997	D040.01.01	10
02010997	D040.03.01	10
02011528	D010.00.02	3
02011554	A050.01.01	24
02011564	A020.05.01	30
02011758	F070.00.01	25
02011758	F070.02.01	25
02011798	A090.01.02	3
02012129	F020.00.01	21
02012129	F020.02.01	21
02012129	F020.04.01	21
02012129	F020.05.01	21
02012352	C040.00.01	31

Parça No	Sayfa No	No
Part no	Page No	No
02012353	C040.00.01	34
02012376	A090.01.02	22
02012376	C100.01.01	7
02012389	C100.01.01	26
02012578	B080.00.01	29
02012579	B080.00.01	58
02012580	B080.00.01	19
02012581	B080.00.01	18
02012582	B080.00.01	24
02012601	B080.00.01	61
2012632	K010.00.07	7
2012633	K010.00.07	5
02012649	B090.00.01	8
02012649	B090.00.01	19
02012649	B090.04.01	8
02012649	B090.04.01	19
02012745	E070.01.01	17
02012771	A090.01.01	42
02012835	A050.01.01	16
02012836	A050.01.01	17
02012847	E010.00.01	17
02012848	E010.00.01	16
02012863	F010.00.01	49
02012931	A070.01.01	5
02012931	F010.00.01	2
02012932	A070.01.01	8
02012933	F010.00.01	23
02015291	K010.00.03	21
02019066	E070.01.01	5
02020169	F070.00.01	54
02020169	F070.02.01	33
02020665	D040.04.01	4
02020809	F020.00.01	36
02020809	F020.02.01	36
02020809	F020.04.01	36
02020809	F020.05.01	36
02021003	D070.00.01	5
02021007	D070.00.01	43
02021009	D070.00.01	38
02021012	D070.00.01	4
02021075	D040.00.01	7
02021075	D040.01.01	7
02021075	D040.02.01	7
02021075	D040.03.01	7
02021076	D040.00.01	6
02021076	D040.01.01	6
02021076	D040.02.01	6
02021076	D040.03.01	6
02021088	A050.01.01	7
02021111	D010.00.02	8
02021151	F050.32.01	48
02021199	D010.00.01	33
02021301	D070.00.01	17
02021304	D070.00.01	25
02021325	D020.00.01	33
02021325	D020.01.01	33
02021325	D020.02.01	17
02021325	D020.03.01	33
02021325	D020.04.01	33
02021372	C040.00.01	23
02021411	F020.00.01	35
02021411	F020.02.01	35

Parça No	Sayfa No	No
Part no	Page No	No
02021411	F020.04.01	35
02021411	F020.05.01	35
02021442	F020.00.01	26
02021442	F020.02.01	26
02021442	F020.04.01	26
02021442	F020.05.01	26
02021512	C050.00.01	18
02021515	K010.00.01	2
02021517	K010.00.01	22
02021554	F020.00.01	7
02021554	F020.02.01	7
02021554	F020.04.01	7
02021554	F020.05.01	7
02021622	J010.02.01	52
02021623	J010.02.01	51
02021737	D020.00.01	37
02021737	D020.01.01	37
02021737	D020.02.01	36
02021737	D020.04.01	37
02021799	H010.01.01	27
02025205	D020.03.01	37
02025208	B110.00.01	8
02030403	D010.00.02	2
02030425	F070.00.01	24
02030425	F070.02.01	24
02030426	F070.00.01	9
02030426	F070.02.01	9
02030443	F070.00.01	10
02030443	F070.02.01	10
02030444	F070.00.01	23
02030444	F070.02.01	23
02030514	K010.00.01	23
02030523	F070.00.01	38
02030523	F070.02.01	58
02030549	K020.15.01	17
02040076	A050.01.01	2
02040129	C080.00.01	2
02040141	C090.00.01	14
02040145	C090.00.01	11
02040147	C090.00.01	3
02040165	C100.01.01	29
02040166	C100.01.01	10
02040167	C100.00.01	8
02040168	C100.00.01	7
02040174	C090.00.01	8
02040190	K020.15.01	38
02040219	C030.00.01	11
02040221	C020.00.01	11
02040230	C080.00.01	5
02040232	C070.00.01	2
02040243	B100.00.01	9
02040248	B100.00.01	12
02040267	C050.00.01	19
02040283	C070.00.01	8
02040284	C070.00.01	9
02040289	A080.01.02	2
02040293	C050.00.01	7
02040315	C050.00.01	2
02040330	A010.01.01	18
02040560	B080.00.01	27
02040610	B100.00.01	2
02040611	B100.00.01	1

INDEX

Parça No	Sayfa No	No
Part no	Page No	No
N010232846	F020.04.01	15
N010232846	F020.05.01	15
N010233530	A010.01.01	46
N010233530	A070.01.01	13
N010233530	F010.00.01	54
N010233566	F050.32.01	37
N010233614	B090.00.01	4
N010233614	B090.00.01	15
N010233614	B090.04.01	4
N010233614	B090.04.01	15
N010370026	K040.00.01	3
N010370266	D040.04.01	18
N010370470	D010.00.01	45
N010370494	D010.00.03	5
N010370494	D050.01.01	44
N010370998	D010.00.01	31
N010371010	D010.00.01	15
N010371022	D010.00.01	30
N010371862	D040.04.01	39
N010380398	D020.00.01	10
N010380398	H010.01.01	12
N010380410	D050.02.01	49
N010380410	F050.32.01	26
N010380410	F070.00.01	42
N010380410	F070.02.01	55
N010380410	J010.02.01	8
N010380446	A090.01.01	30
N010380446	B110.00.01	16
N010380470	F020.00.01	47
N010380482	F070.10.01	2
N010380493	D020.01.01	28
N010380493	D020.02.01	35
N010380493	D020.03.01	28
N010380493	D020.04.01	28
N010380493	D050.00.01	6
N010380493	D050.02.01	44
N010380493	D060.01.01	7
N010380494	D020.00.01	26
N010380552	A010.01.01	23
N010380854	A010.01.01	12
N010380986	D010.00.03	4
N010380986	D070.00.01	42
N010381908	A010.01.01	11
N010381908	C010.00.01	7
N0103870398	D020.02.01	10
N010482042	E010.00.01	20
N010482102	E010.00.01	21
N010671442	A010.01.01	24
N011800686	D040.04.01	5
N013621657	E010.00.01	1
N014061238	A070.01.01	18
N015610145	D020.00.01	21
N015610145	D020.01.01	21
N015610145	D020.02.01	27
N015610145	D020.03.01	21
N015610145	D020.04.01	21
N015610145	D030.00.01	4
N015610145	D030.01.01	4
N015870314	C040.00.01	29
N015870350	D010.00.02	14
N015870378	K010.00.09	3
N015870506	C020.00.01	30

Parça No	Sayfa No	No
Part no	Page No	No
N015870506	C030.00.01	30
N015870842	D050.00.01	14
N015890014	F020.00.01	1
N015890014	F020.02.01	1
N015890014	F020.04.01	1
N015890014	F020.05.01	1
N015890026	K010.00.01	6
N015890026	K010.00.01	18
N015890026	K010.00.01	21
N015890170	F020.00.01	27
N015890170	F020.02.01	27
N015890170	F020.04.01	27
N015890170	F020.05.01	27
N015890170	K010.00.01	8
N015890170	K010.00.02	5
N015890290	F010.00.01	8
N015890290	F010.00.01	15
N015890302	K020.15.01	5
N015890314	B110.00.01	7
N015890314	C040.00.01	6
N015890314	K050.00.01	8
N015890326	F070.02.01	37
N015890362	F070.02.01	34
N015890446	K010.00.01	16
N015890446	K020.15.01	12
N015890458	A020.05.01	37
N015890458	A090.01.01	7
N015890458	E070.01.01	6
N015890458	J010.02.01	28
N015890470	F070.00.01	50
N015890470	F070.02.01	27
N015890470	K020.15.01	14
N015890470	K020.15.01	48
N015890535	D020.00.01	4
N015890535	D020.01.01	4
N015890535	D020.02.01	4
N015890535	D020.03.01	4
N015890535	D020.04.01	4
N015890842	A090.01.01	25
N015890842	H010.01.01	13
N015890842	K010.00.07	11
N015890866	F050.32.01	54
N015891190	F050.32.01	32
N015892018	D070.00.01	12
N015892018	D070.00.01	37
N015904692	B080.00.01	31
N016010470	C040.00.01	36
N020000200	K010.00.03	24
N023570146	K010.00.06	5
N023570158	A020.05.01	5
N023570182	D010.00.02	12
N023570182	F020.02.01	17
N023570182	F020.04.01	17
N023570182	K010.00.03	12
N023570206	C020.00.01	40
N023570206	C030.00.01	40
N023570242	D040.04.01	44
N023570302	F020.02.01	22
N023570302	F020.04.01	22
N023570302	F020.05.01	22
N023570314	D040.00.01	8
N023570314	D040.01.01	8

Parça No	Sayfa No	No
Part no	Page No	No
N023570314	D040.01.01	12
N023570314	D040.03.01	12
N02357302	F020.00.01	22
N023580146	C130.00.01	33
N023580158	B080.00.01	47
N023580158	F020.00.01	31
N023580158	F020.02.01	31
N023580158	F020.04.01	31
N023580158	F020.05.01	31
N023580158	J010.02.01	42
N023580182	B100.00.01	4
N023580182	D050.00.01	7
N023580182	D050.01.01	43
N023580182	F020.00.01	4
N023580182	F020.00.01	17
N023580182	F020.02.01	4
N023580182	F020.04.01	4
N023580182	F020.05.01	4
N023580182	F020.05.01	17
N023580182	K010.00.07	9
N023580182	K040.00.01	22
N023580206	J010.02.01	26
N023580290	D020.00.01	40
N023580290	D020.01.01	40
N023580290	D020.02.01	39
N023580290	D020.03.01	40
N023580290	D020.04.01	40
N023580314	D040.02.01	8
N023580314	D040.03.01	8
N023580314	D060.00.01	7
N024050362	D050.01.01	27
N024050362	D050.02.01	27
N024770037	B110.00.01	6
N025900010	K040.00.01	5
N025900050	K010.00.09	5
N025900062	A020.05.01	21
N025900062	D010.00.01	46
N025900062	D010.00.03	6
N025900062	D020.00.01	27
N025900062	D020.03.01	27
N025900062	D060.02.01	12
N025900122	D010.00.01	32
N025900122	D010.00.03	3
N025900194	C130.00.01	5
N025900194	D070.00.01	19
N025900194	J010.02.01	46
N025900242	D040.04.01	22
N025910050	A010.01.01	35
N025910050	A020.05.01	32
N025910050	B080.00.01	52
N025910050	E070.01.01	12
N025910050	F010.00.01	11
N025910050	F020.00.01	12
N025910050	F020.02.01	12
N025910050	F020.04.01	12
N025910050	F020.05.01	12
N025910062	A010.01.01	16
N025910062	A030.02.01	21
N025910062	A030.03.01	21
N025910062	A040.01.01	11
N025910062	A050.01.01	29
N025910062	A090.01.01	37

CLICK HERE TO **DOWNLOAD** THE COMPLETE MANUAL

- Thank you very much for reading the preview of the manual.
- You can download the complete manual from: www.heydownloads.com by clicking the link below



- Please note: If there is no response to CLICKING the link, please download this PDF first and then click on it.

CLICK HERE TO **DOWNLOAD** THE COMPLETE MANUAL