

# HIDROMEK®

KAZICI YÜKLEYİCİ  
BACKHOE LOADER

**HMK 102B ALPHA**



## YEDEK PARÇA KATALOĞU SPARE PARTS CATALOG

SERİ NO / SERIAL NO : B120001- REXROTH  
BASKI TARİHİ / EDITION DATE : 06.07.2015  
KATALOG NO / CATALOG NO : Y1012710

CLICK HERE TO **DOWNLOAD** THE COMPLETE MANUAL

- Thank you very much for reading the preview of the manual.
- You can download the complete manual from: [www.heydownloads.com](http://www.heydownloads.com) by clicking the link below



- Please note: If there is no response to CLICKING the link, please download this PDF first and then click on it.

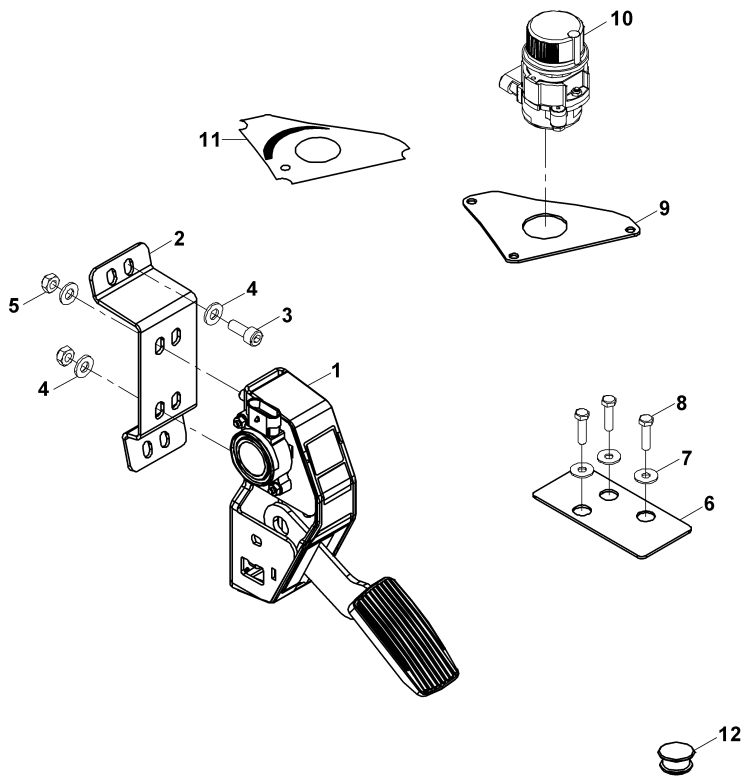
CLICK HERE TO **DOWNLOAD** THE COMPLETE MANUAL

## İÇİNDEKİLER / CONTENTS

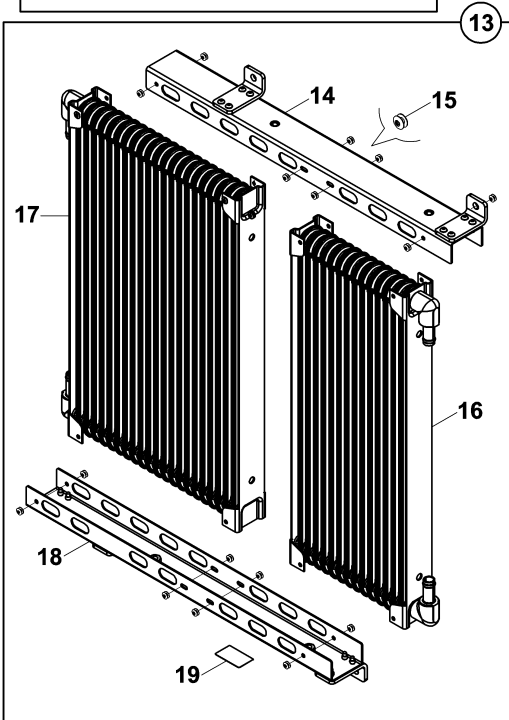
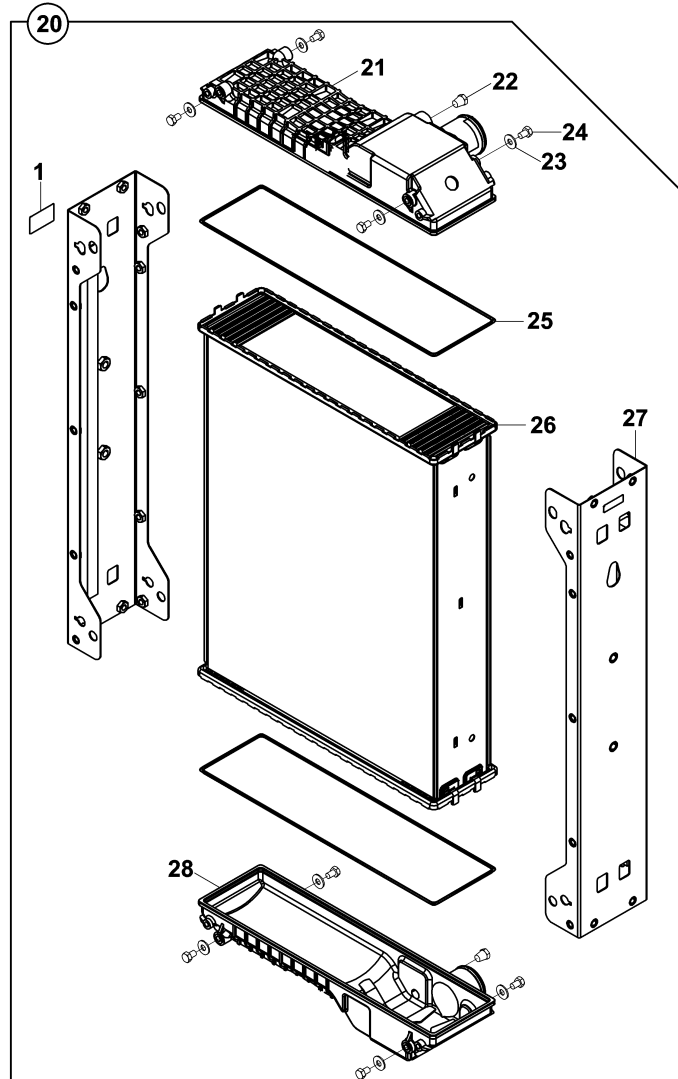
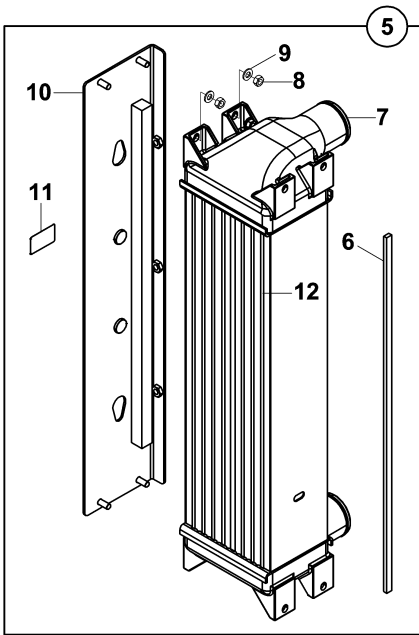
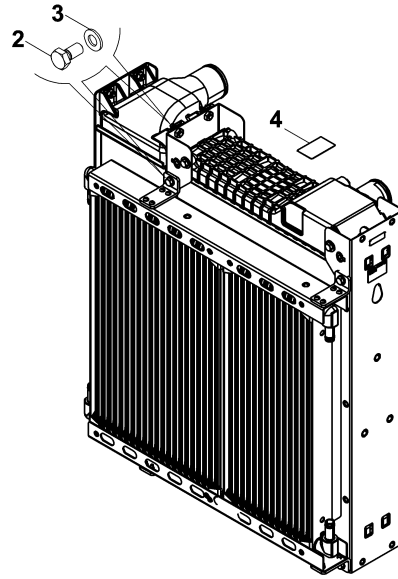
F080.01.01	HORTUM TUTUCU SETİ (TELESKOPİK ARM) (OP)	HOSE HOLDER SET (TELESCOPIC ARM) (OP)
F090.01.01	HİDROLİK TESİSAT, AYAK SİLİNDİR	HYD. PIPING, STABILIZER CYLINDER
F090.04.01	HİDROLİK TESİSAT, AYAK SİLİNDİRİ (TİP B)	HYDRAULIC PIPING, STABILIZER CYLINDER (TYPE B)
F100.01.01	HİDROLİK TESİSATI, SIKMA PİSTONU	HYDRAULIC PIPING, HYDROCLAMP
F110.02.01	HİDROLİK TESİSAT, DÖNÜŞ SİLİNDİRİ (TİP B)	HYDRAULIC PIPING, SWING CYLINDER (TYPE B)
F120.05.01	KAZICI HİDROLİK TESİSATI, BOM SİLİNDİRİ	BACKHOE HYD. PIPING, BOOM CYLINDER
F120.06.01	KAZICI HİDROLİK TESİSATI, BOM SİLİNDİRİ (TİP B)	BACKHOE HYDRAULIC PIPING, BOOM CYLINDER (TYPE B)
F120.01.01	KAZICI HİDROLİK TESİSATI, BOM SİLİNDİRİ	BACKHOE HYD. PIPING, BOOM CYLINDER
F130.00.01	KAZICI HİDROLİK TESİSATI, ARM SİLİNDİRİ	BACKHOE HYDRAULIC PIPING, ARM CYLINDER
F130.01.01	KAZICI HİDROLİK TESİSATI, ARM SİLİNDİRİ, EMNİYET VALFLİ	BACKHOE HYD. PIPING, ARM CYLINDER, WITH SAFETY LOCK VALVE
F130.03.01	KAZICI HİDROLİK TESİSATI, ARM SİLİNDİRİ	BACKHOE HYDRAULIC PIPING, ARM CYLINDER
F140.02.01	KAZICI HİDROLİK TESİSATI, KEPÇE SİLİNDİRİ (TELESKOPİK BOM & TİP B)	BACKHOE HYDRAULIC PIPING, BUCKET CYLINDER (TELESCOPIC BOOM & TYPE B)
F140.04.01	KAZICI HİDROLİK TESİSATI, KEPÇE SİLİNDİRİ (TELESKOPİK BOM & TİP B)	BACKHOE HYDRAULIC PIPING, BUCKET CYLINDER (TELESCOPIC BOOM & TYPE B)
F140.06.01	KAZICI HİDROLİK TESİSATI, KEPÇE SİLİNDİRİ (MAFSALLI BOM & TİP B)	BACKHOE HYDRAULIC PIPING, BUCKET CYLINDER (ARTICULATED BOOM & TYPE B)
F150.03.01	KIRICI HİDROLİK TESİSATI (STD. ARM & TİP B)	BREAKER HYDRAULIC PIPING (STD. ARM & TİP B)
F150.05.01	TEK ETKİLİ HİDROLİK TESİSATI (KIRICI & STD. ARM & LEVYE & JY & TİP B)	SINGLE ACTING HYD. PIPING (BREAKER & STD.ARM & LEVERS & JOYSTICK6 TYPE B)
F150.08.01	TEK ETKİLİ HİDROLİK TESİSATI (KIRICI&TELESKOPİK ARM&LEVYE+JOYİSTİK&TİP B)	SINGLE ACTING HYD. PIPING(BREAKER&TELESCOPIC&LEVERS& JOYSTICK6TYPE B)
F160.04.01	ÇİFT ETKİLİ HDR. TESİSATI, BURGU/DÖNER KEPÇE&KIRICI(STD.ARM&LEVYE&TİP B)	DOUBLE ACTING HYD. PIPING, AUGER/TILTING BUCKE&BREAKER(STD.ARM&LEVERS&TYPE B)
F160.05.01	İLAVE HAT HİDROLİK TESİSATI, BURGU/DÖNER KEPÇE (TELESKOPİK & TİP B)	ADDITIONAL LINE HYDRAULIC PIPING,AUGER/TILTING BUCKET(TELESCOPIC & TYPE B)
F190.02.01	HİDROLİK TESİSAT, DİFERANSİYEL KİLİDİ	HYDRAULIC PIPING, DIFFERENTIAL LOCK
F200.00.01	HİDROLİK, BOM KİLİDİ (MAFSALLI BOM) (OP)	HYDRAULIC, BOOM LOCKING (KNUCKLE BOOM) (OP)
F200.02.01	HİDROLİK, BOM KİLİDİ	HYDRAULIC, BOOM LOCKING
F200.03.01	HİDROLİK, BOM KİLİDİ (KAZ AYAK) (OP)	HYDRAULIC, BOOM LOCKING (WING TYPE) (OP)

<b>G</b>	<b>HİDROLİK KOMPONENTLER</b>	<b>HYDRAULIC COMPONENTS</b>
G010.01.01	DİŞLİ POMPA	GEAR PUMP
G010.01.01R1	DİŞLİ POMPA	GEAR PUMP
G020.00.01	PİSTONLU POMPA	PISTON PUMP
G030.01.01	YÜKLEYİCİ KUMANDA VALFİ (LS- TİP B)	LOADER CONTROL VALVE, MECHANIC (LS- TYPE B)
G030.01.02	YÜKLEYİCİ KUMANDA VALFİ- GİRİŞ BLOĞU (TİP B)	LOADER CONTROL VALVE-INLET BLOCK (TYPE B)
G030.01.03	YÜKLEYİCİ KUMANDA VALFİ- KALDIRICI SİLİNDİR, KONTROL BLOĞU (TİP B)	LOADER CONTROL VALVE- LIFT CYLINDER CONTROL BLOCK (TYPE B)
G030.01.04	YÜKLEYİCİ KUMANDA VALFİ- ARM SİLİNDİR KONTROL, BLOĞU (TİP B)	LOADER CONTROL VALVE- ARM CYLINDER CONTROL BLOCK (TYPE B)
G030.01.05	YÜKLEYİCİ KUMANDA VALFİ- AÇILIR KEPÇE SİLİNDİRİ, KONTROL BLOĞU(TİP B)	LOADER CONTROL VALVE- CLAMSHOVEL RAM CONTROL BLOCK (TYPE B)
G030.01.06	YÜKLEYİCİ KUMANDA VALFİ- ÇIKIŞ BLOĞU (TİP B)	LOADER CONTROL VALVE- OUTLET BLOCK (TYPE B)
G030.02.01	YÜKLEYİCİ KUMANDA VALFİ (TİP B-PB)	LOADER CONTROL VALVE, MECHANIC (TYPE B-PB)
G030.02.02	YÜKLEYİCİ KUMANDA VALFİ- ARM SİLİNDİR KONTROL, BLOĞU (TİP B)	LOADER CONTROL VALVE- ARM CYLINDER CONTROL BLOCK (TYPE B)
G030.02.03	YÜKLEYİCİ KUMANDA VALFİ- ÇIKIŞ BLOĞU (TİP B)	LOADER CONTROL VALVE- OUTLET BLOCK (TYPE B)
G030.02.04	YÜKLEYİCİ KUMANDA VALFİ- GİRİŞ BLOĞU (TİP B-PB)	LOADER CONTROL VALVE-INLET BLOCK (TYPE B-PB)

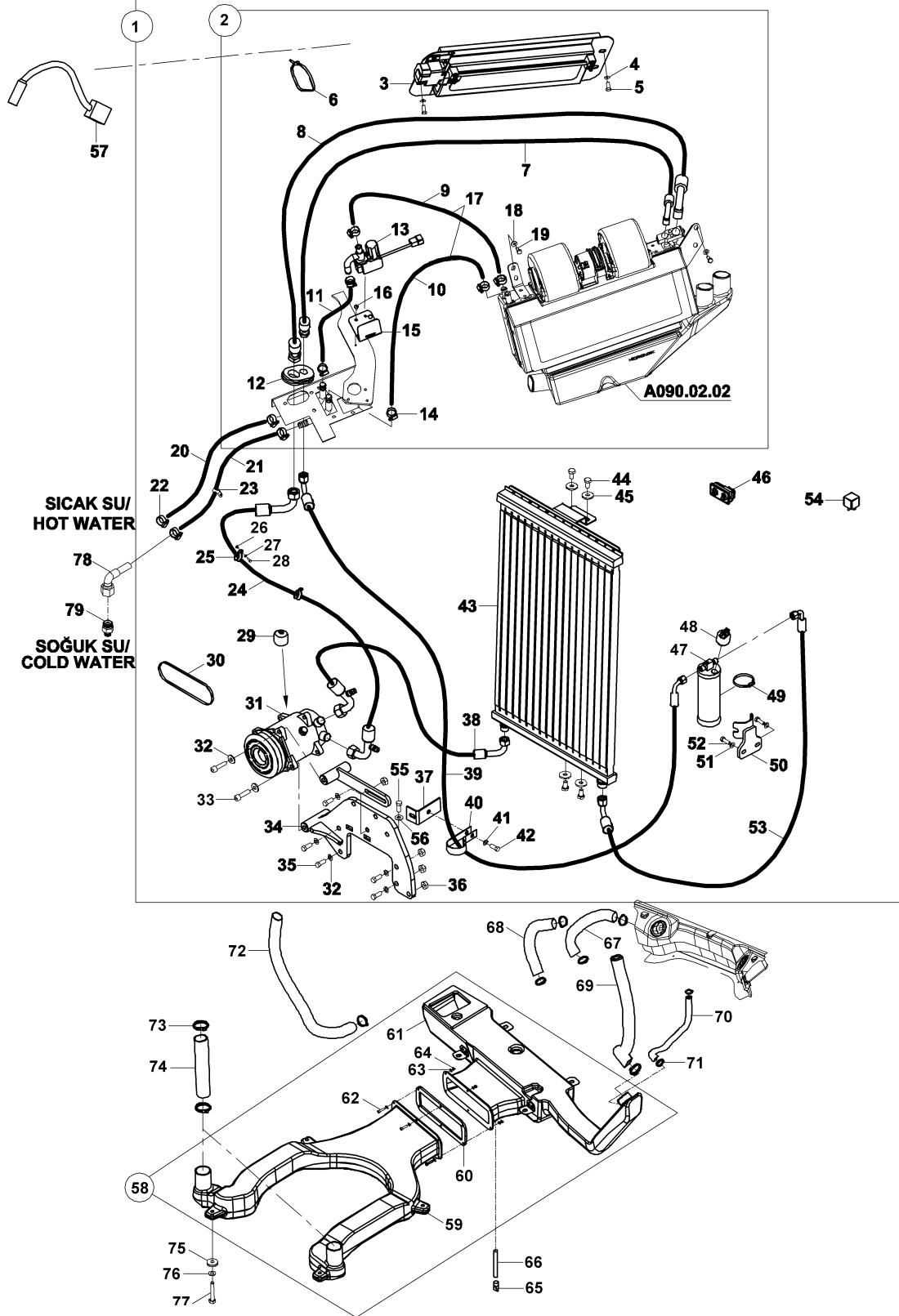
# MOTOR KONTROL SİSTEMİ ENGINE CONTROL SYSTEM



**RADYATÖR KOMPLESİ  
RADIATOR ASS'Y**



# ISITMA, HAVALANDIRMA VE SOĞUTMA SİSTEMİ HEATING VENTING AIR CONDITIONING SYSTEM



**AYAK PABUCU KOMPLESİ, KAÜÇUK  
FOOT ASS'Y, RUBBER**

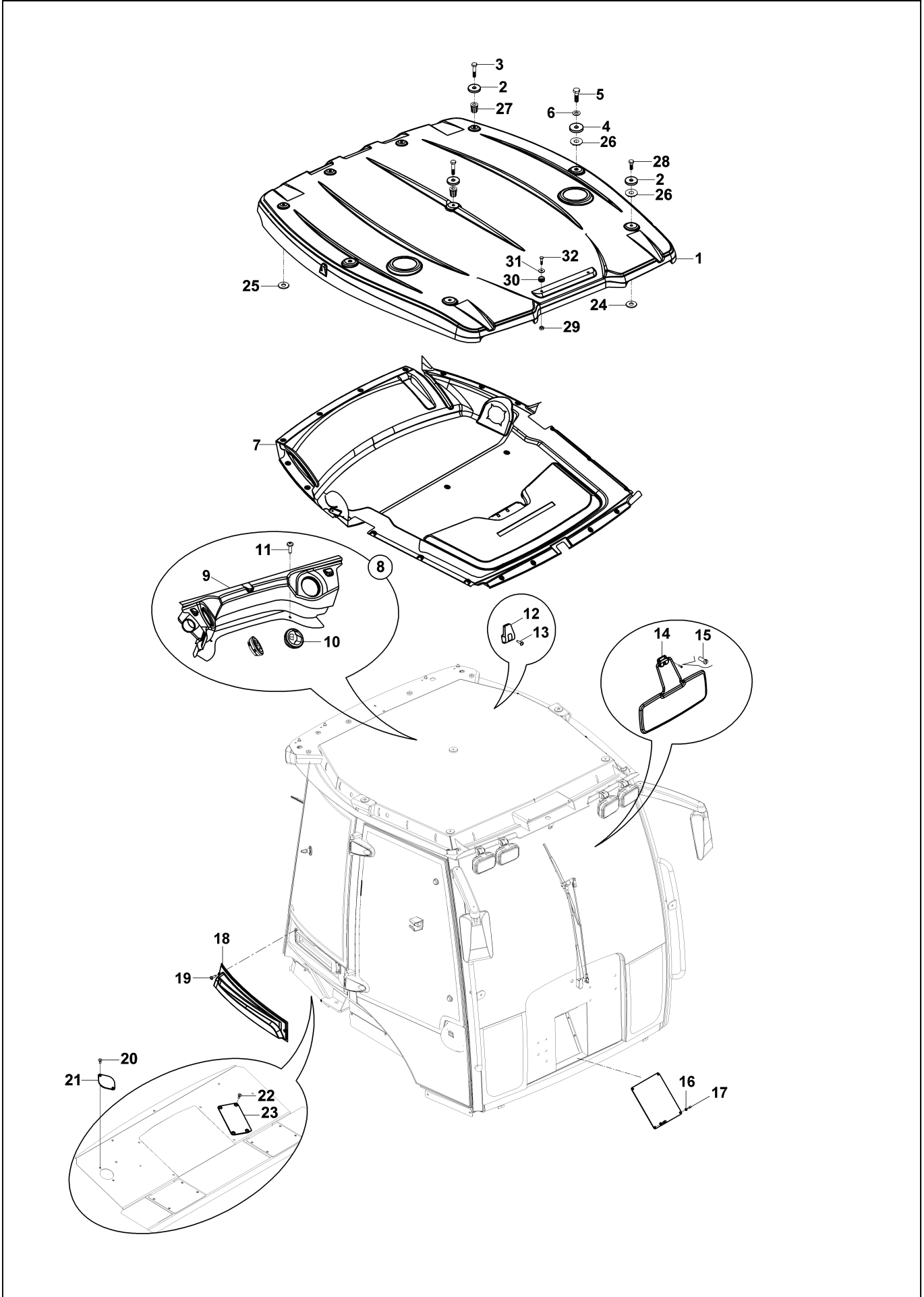
No	Parça No	Parça Adı	Adet	S.K.	Bas.S.N	Bit.S.N	Y.K.	Not
No	Part no	Description	Qty	SC	S/N from	S/N to	ICA	Note
0	01767000	AYAK PABUCU KOMPLESİ, KAÜÇUK	1					
2	81099912	AYAK PABUCU, KAÜÇUK, SAĞ	1					
3	81099917	AYAK PABUCU, KAÜÇUK, SOL	1					
4	01992830	BRAKET	2					
5	N044320470	VİDA	8					M8x12
6	01992831	BRAKET	2					
7	N063006042	HALKALI PİM	4					
8	81117706	PİM	2					

## KAPORTA KOMPLESİ BONNET ASS'Y

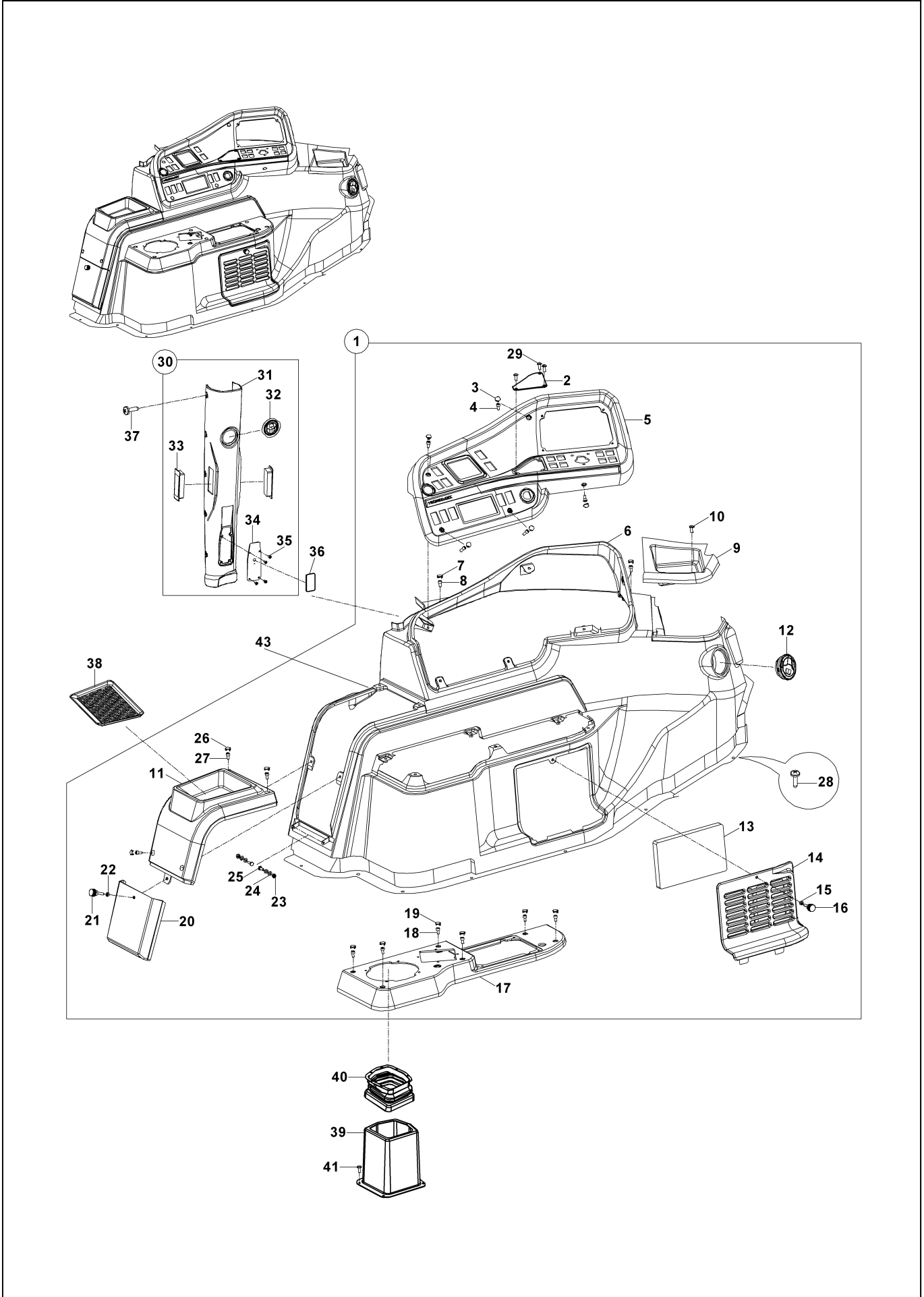
No	Parça No	Parça Adı	Adet	S.K.	Bas.S.N	Bit.S.N	Y.K.	Not
No	Part no	Description	Qty	SC	S/N from	S/N to	ICA	Note
48	N043120664	VİDA	1					M6x40
49	F9960102	PİM	1					
50	F9960101	ÇATAL	1					
51	02002907	LEVYE, KİLİT	1					
52	N025910050	SOMUN	1					M6
53	N025910062	SOMUN	8					M8
54	F9960260	KİLİT	1					
55	N030100013	PUL	2					M6
56	N010231514	CIVATA	1					M6x20
57	80500033	PUL	1					M6x20
58	02012579	BRAKET	1					
59	N010232174	CIVATA	2					M8x35
60	N030020004	PUL	4					M6
61	02012601	SAC	1					
62	N010231574	CIVATA	4					M6x30
63	N030810014	PUL	2					M8
64	F9960270	DÜĞME, KİLİT	1					
65	80500097	PUL	1					
66	01826700	YAN KAPUT KOMPLESİ, SAĞ	1					
67	F9960265	KİLİT	2					
68	02043093	BRAKET, SAĞ	1					
69	H341248500	TUTAMAK	2					M8
70	01993096	BRAKET	2					
71	01826702	YAN KAPUT KOMPLESİ, SOL	1					
72	02043094	BRAKET, SOL	1					
73	81040006	GROMET	2					
74	N030810014	PUL	8					



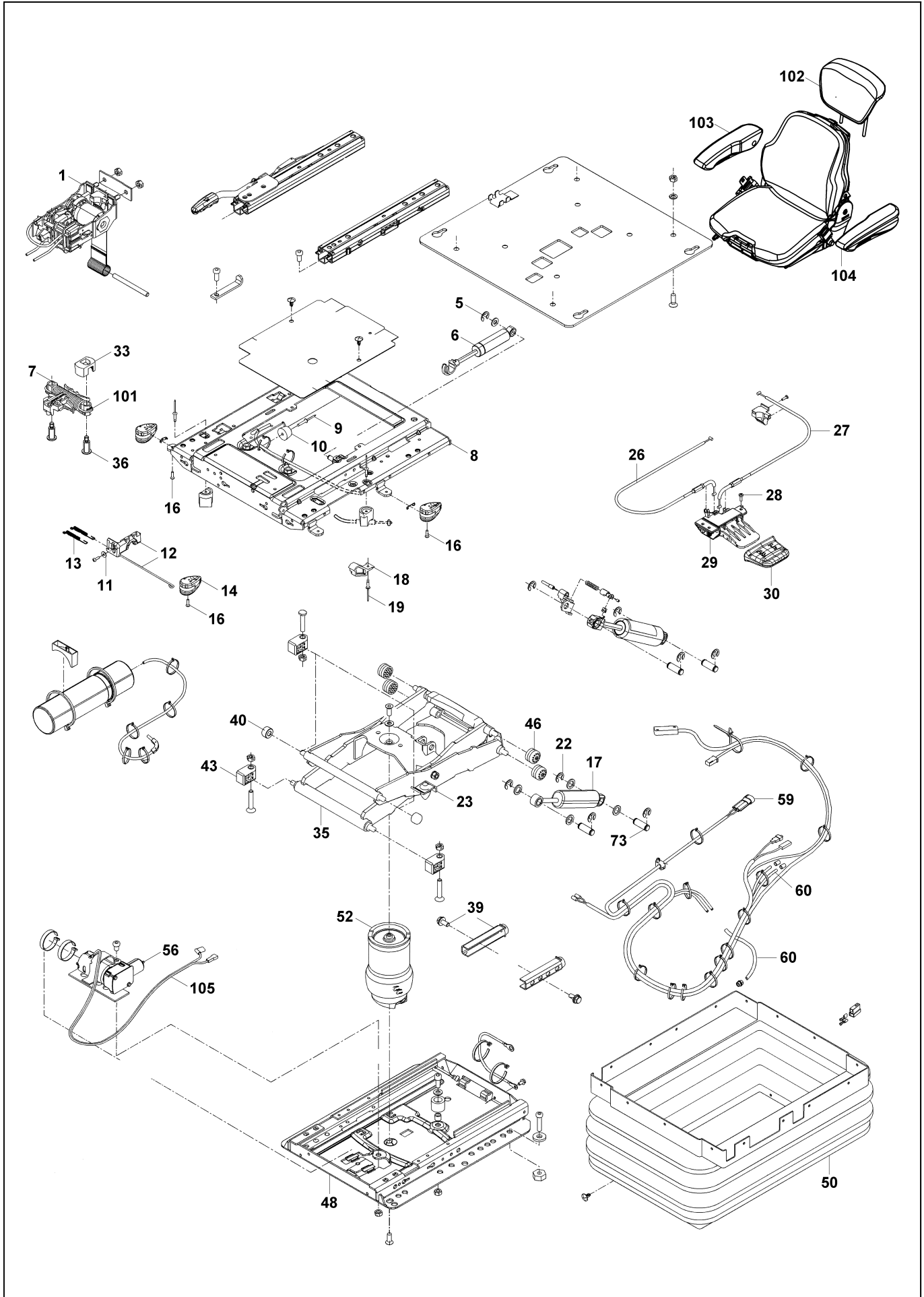
# KABİN DONANIMI CAB ACCESSORIES



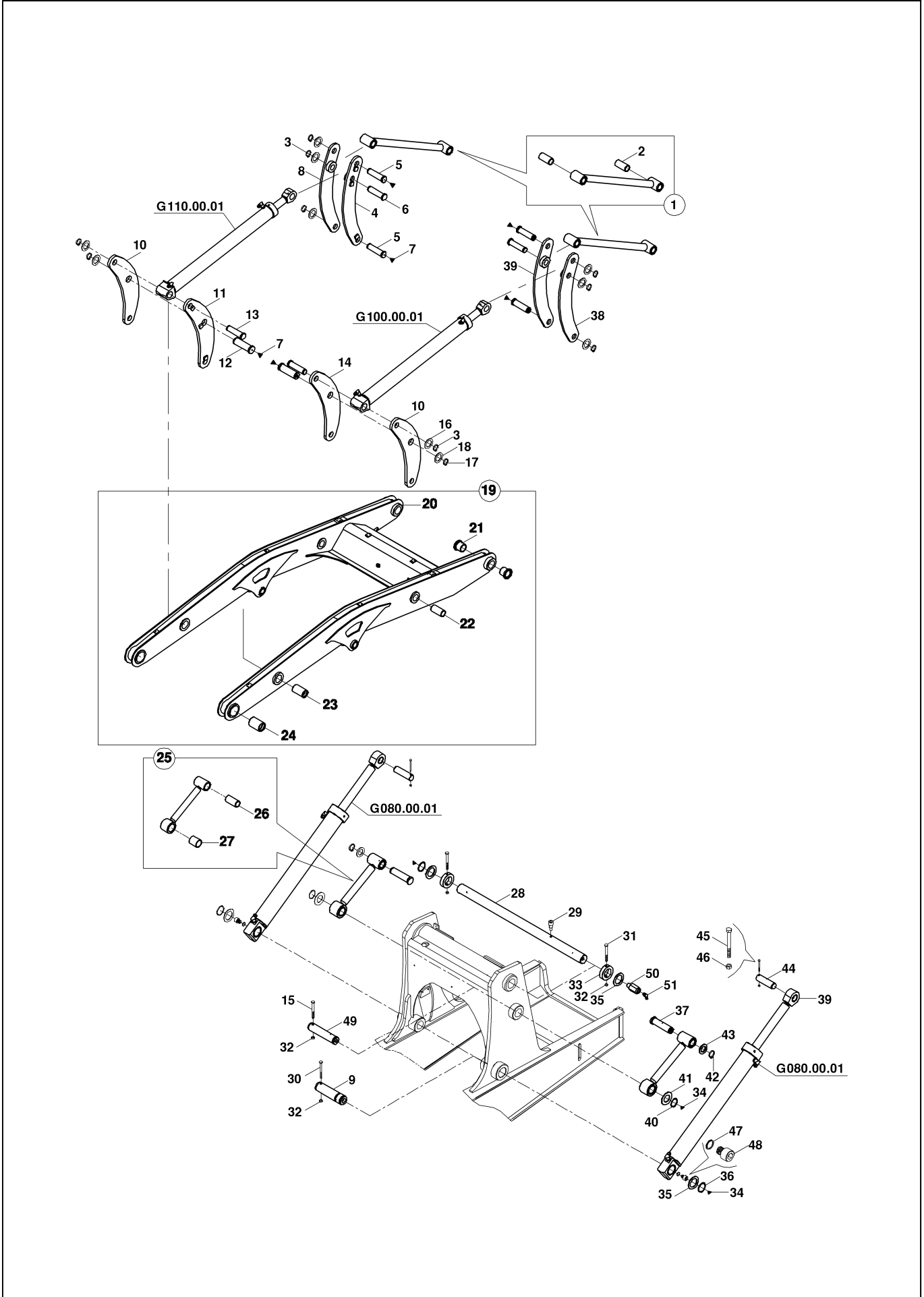
# KABİN İÇİ KOMPLE INSIDE CABIN ASS'Y.



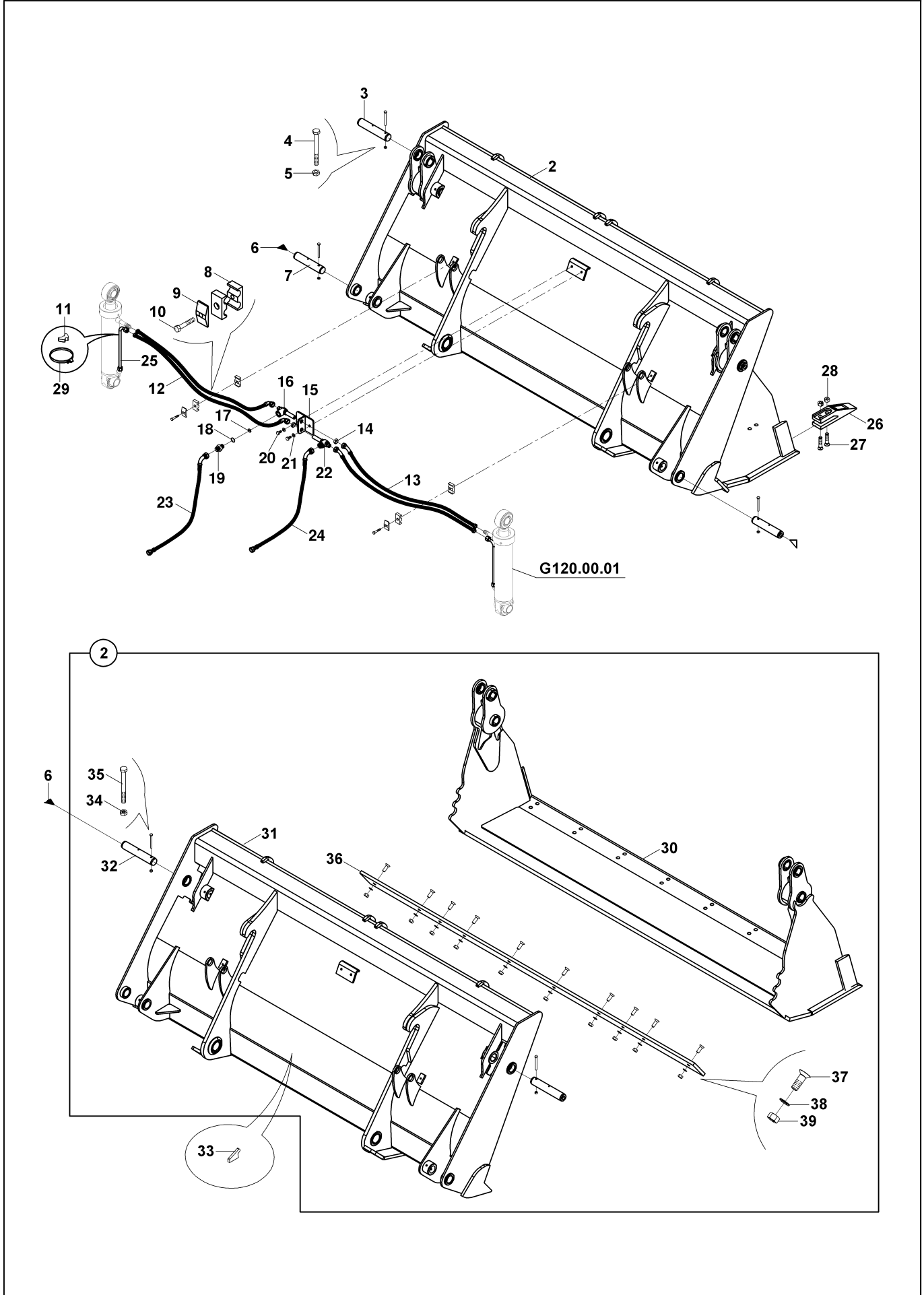
### KOLTUK KOMPLESİ SAET ASSEMBLY



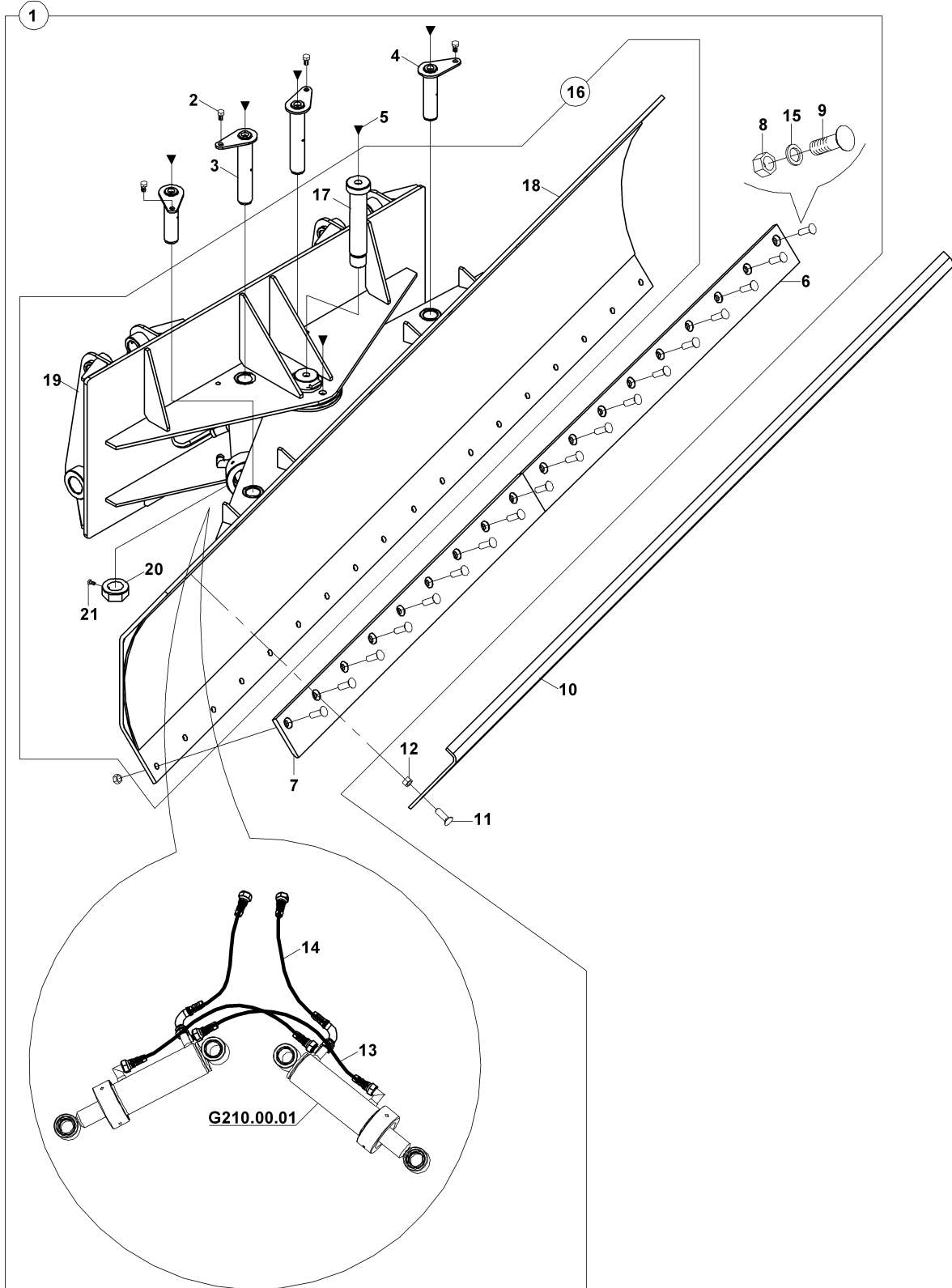
# YÜKLEYİCİ KOMPLESİ LOADER ASS'Y.



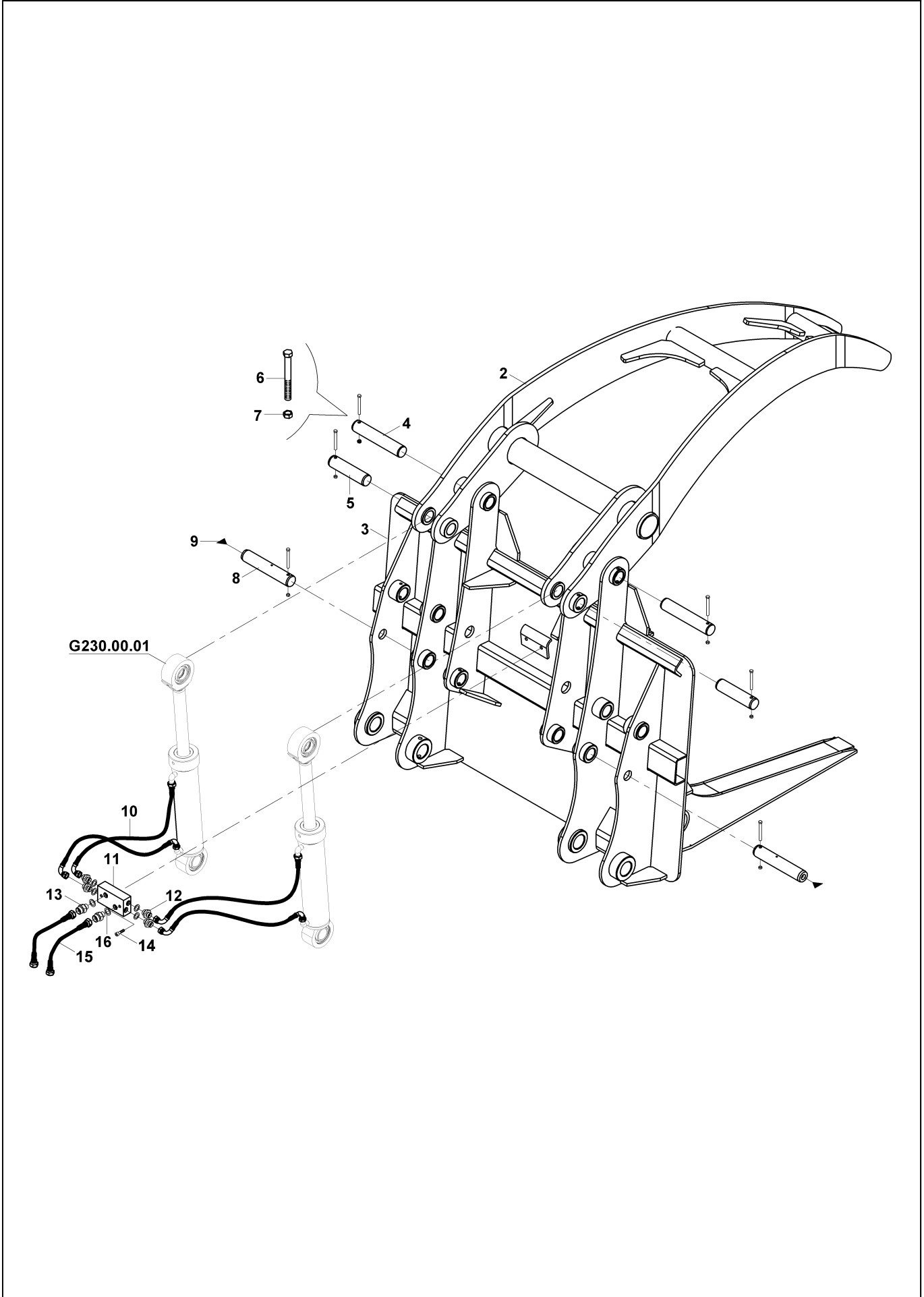
### AÇILIR KEPÇE KOMPLESİ MULTI PURPOSE BUCKET, ASS'Y.



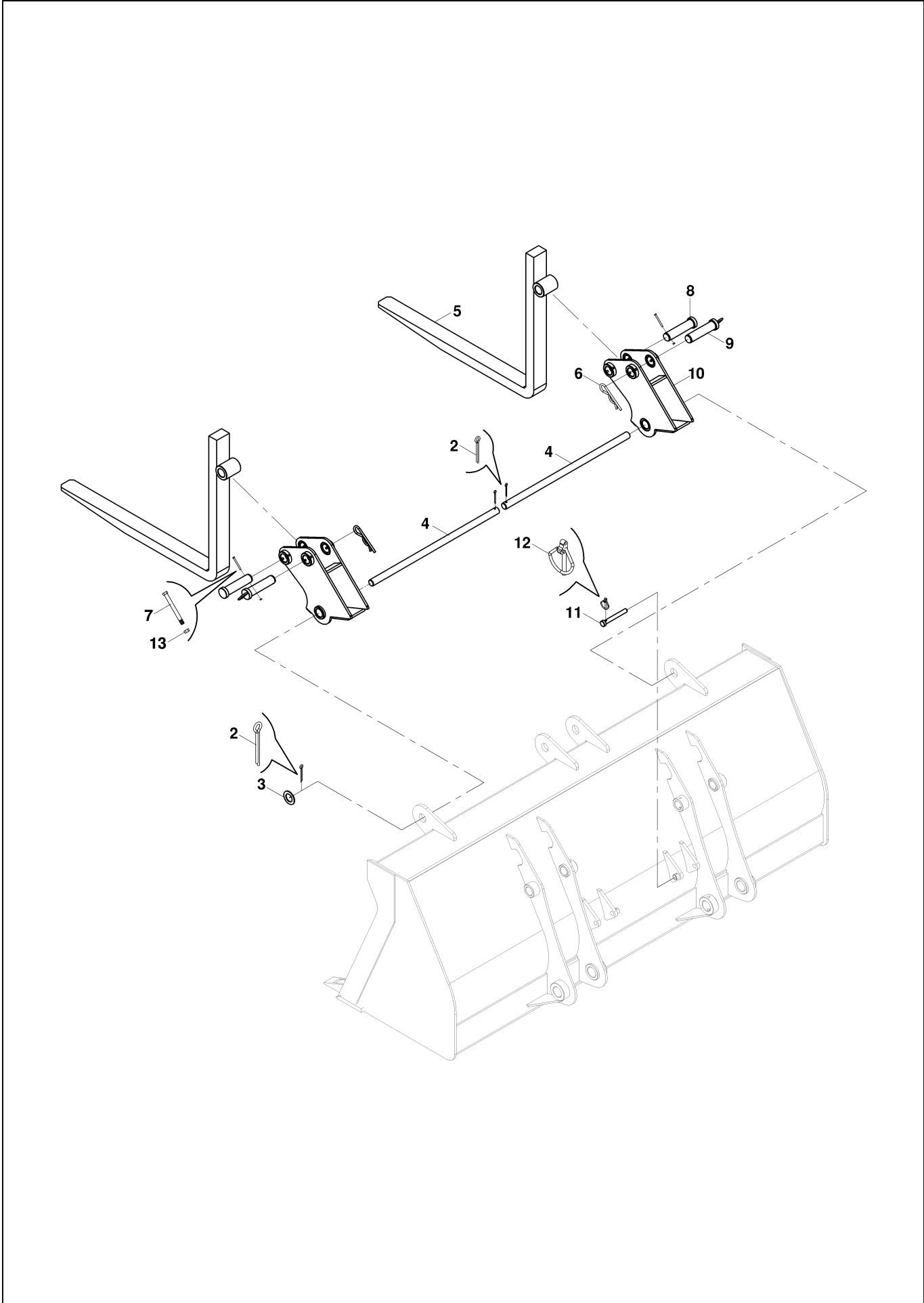
# TESVIYE KÜREĞİ (716x2800) LEVELLING, BLADE (716x2800)



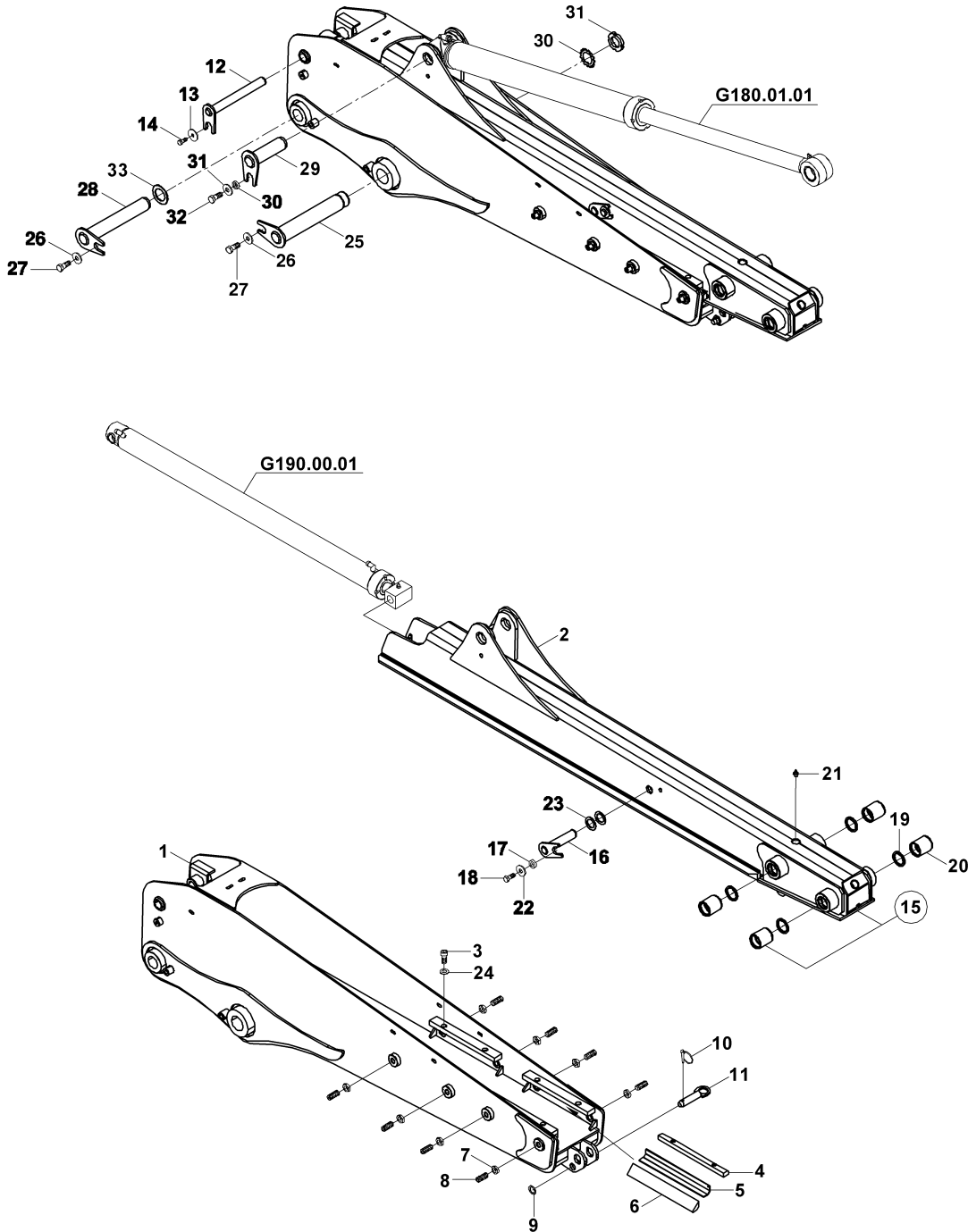
### TOMRUK YÜKLEYİCİ MONTAJI LOG GRAPPLE MOUNTING



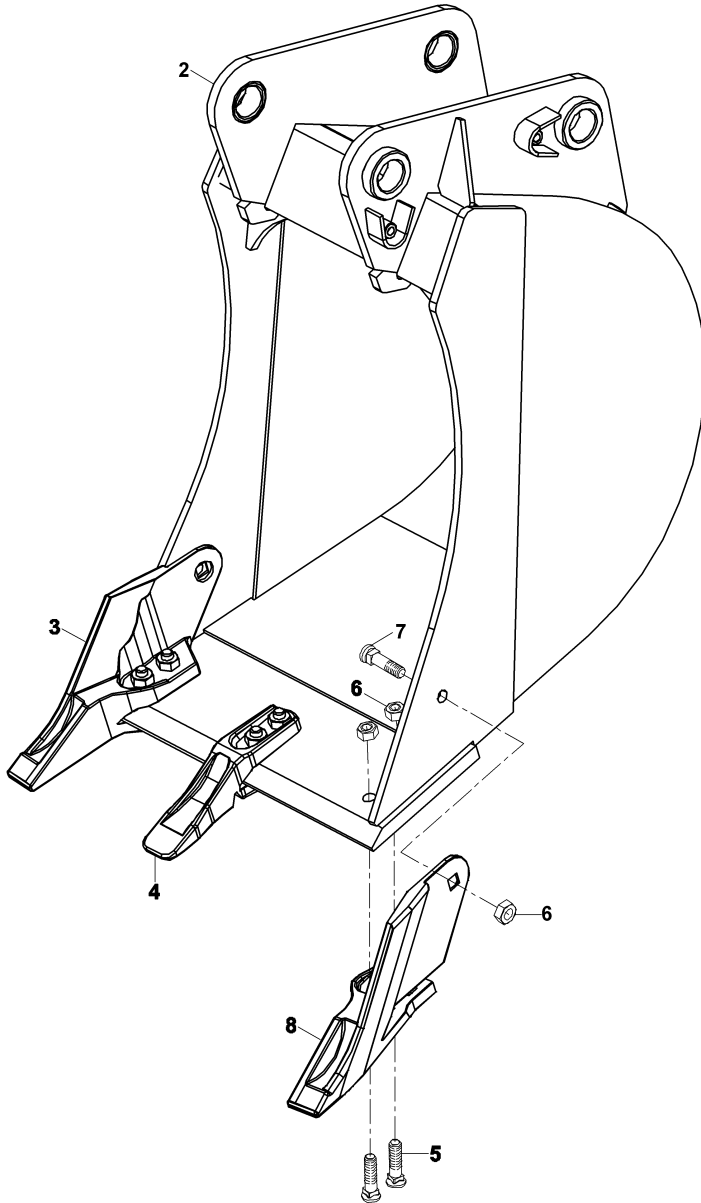
**FORKLİFT APARATI KOMPLESİ (SABİT KEPÇE 1.2m3)  
LOADER BUCKET, FORKLIFT MOUNTED(GB BUCKET 1.2m3)**



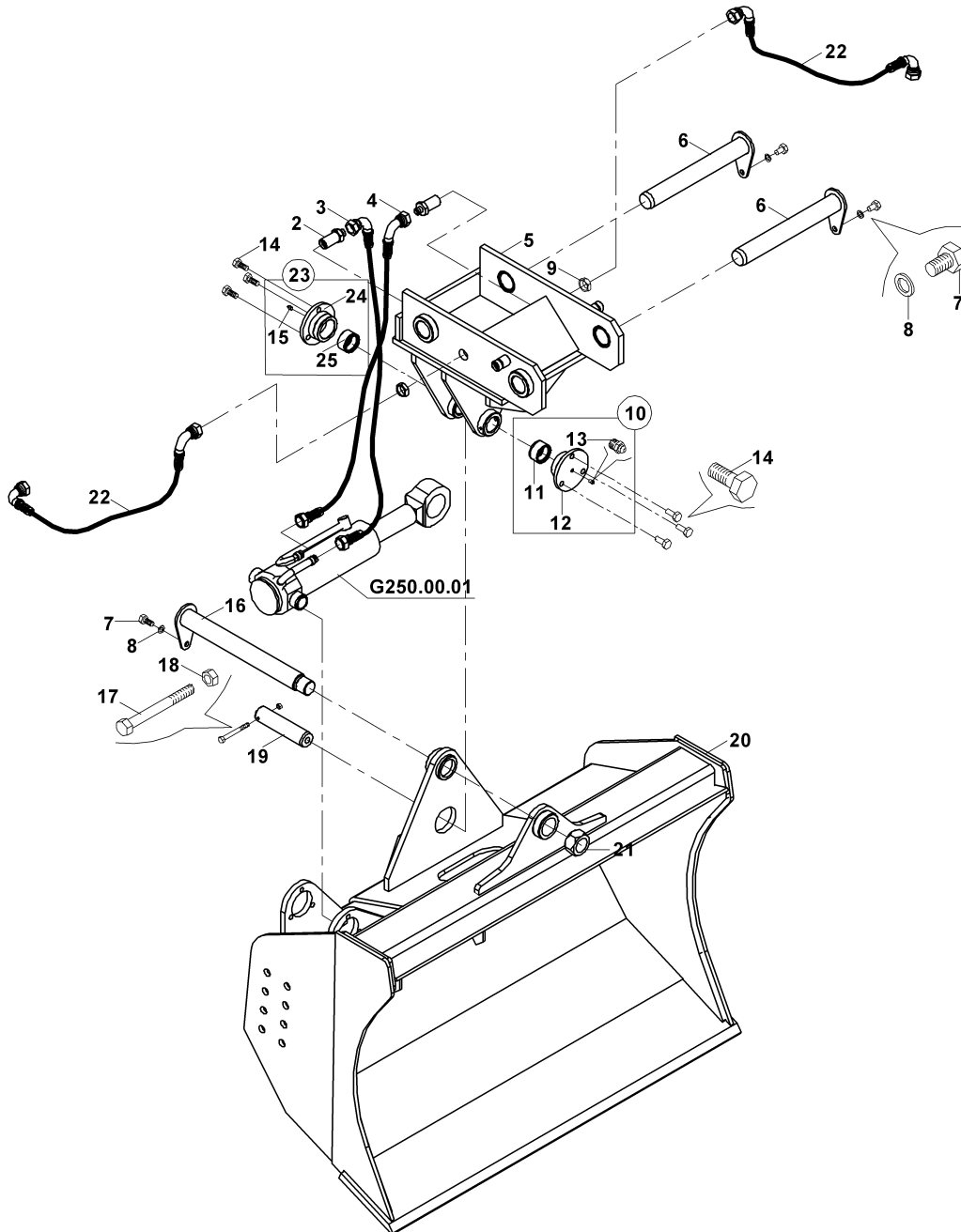
### TELESKOPIK ARM MONTAJI (OP) TELESCOPIC ARM MOUNTING (OP)



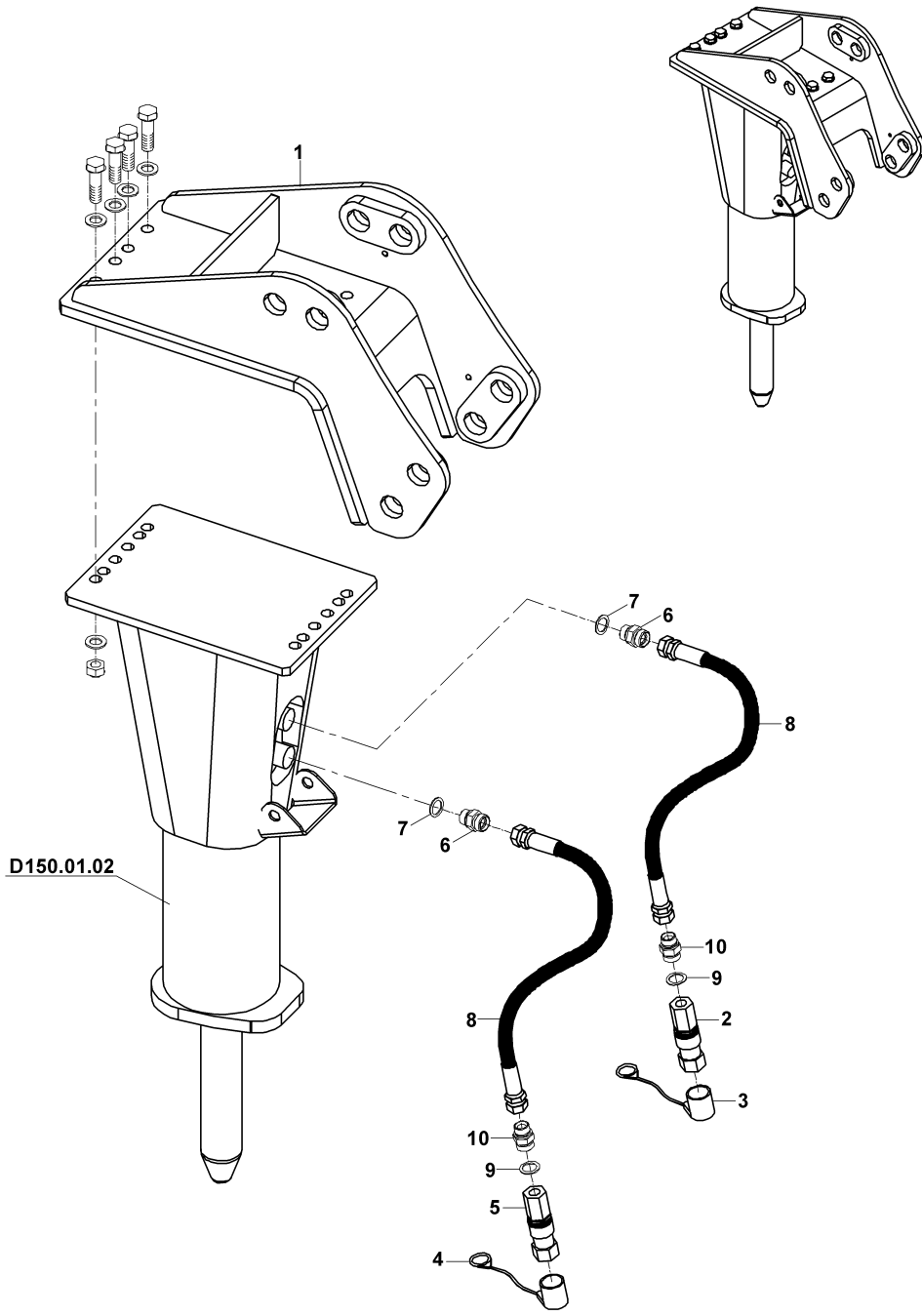
**KEPÇE KOMPLESİ, KAZICI, 500mm**  
**BUCKET ASS'Y, BACKHOE, 500mm**



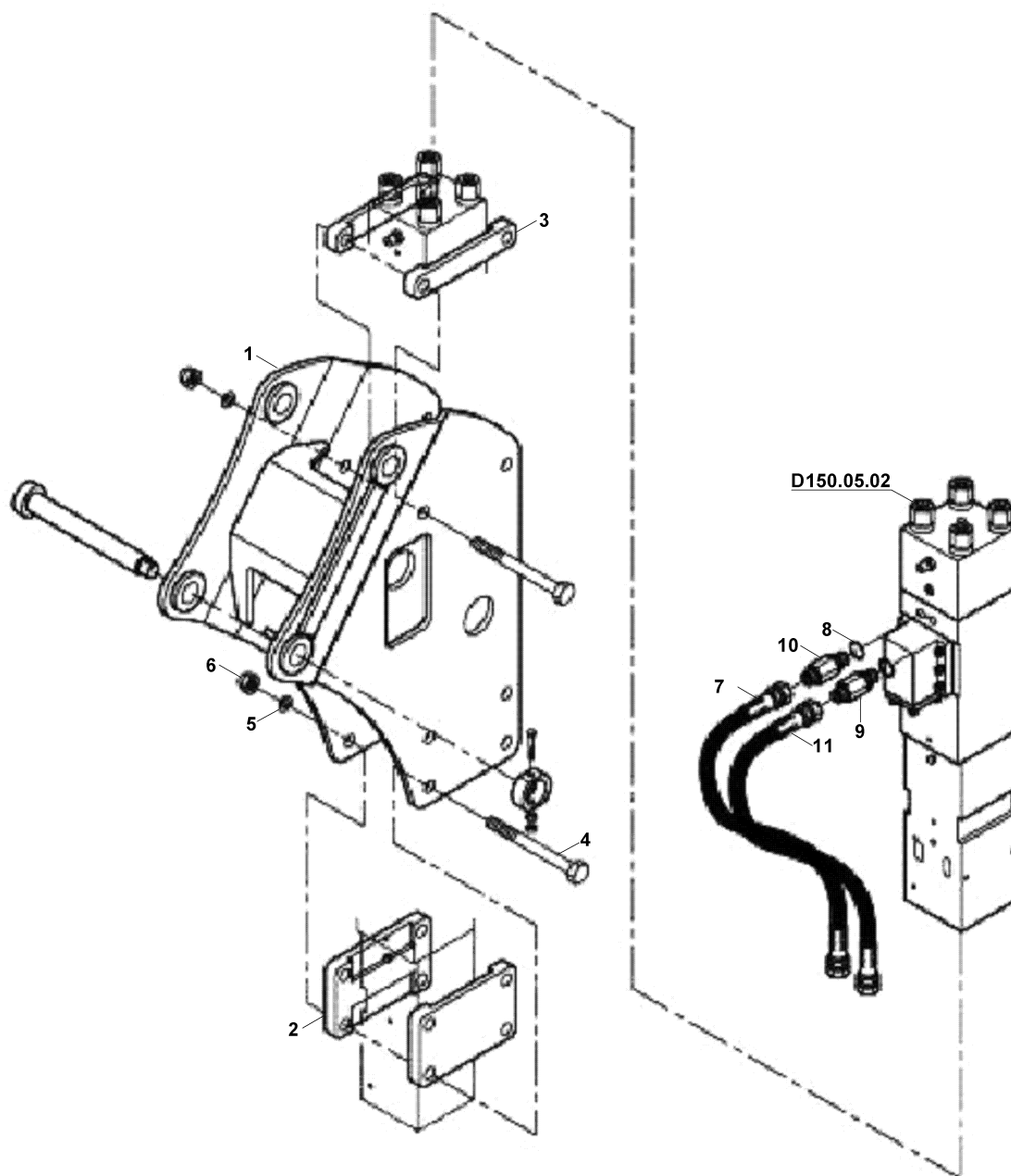
## DÖNERLİ KANAL KEPÇESİ MONTAJI TILTING BUCKET MOUNTING



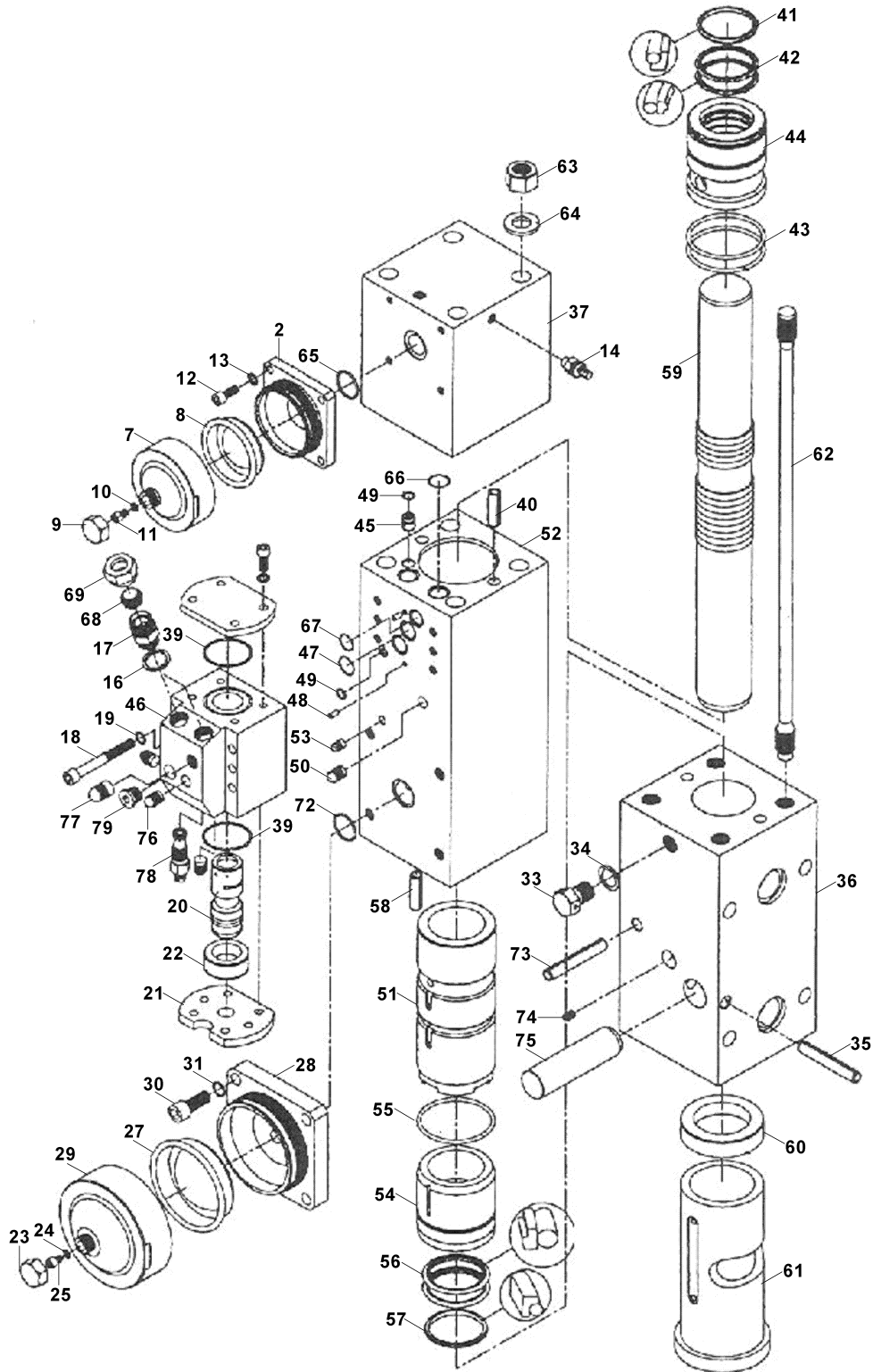
**KIRICI MONTAJI (MONTABERT SC28) (OP)**  
**BREAKER MOUNTING (MONTABERT SC28) (OP)**



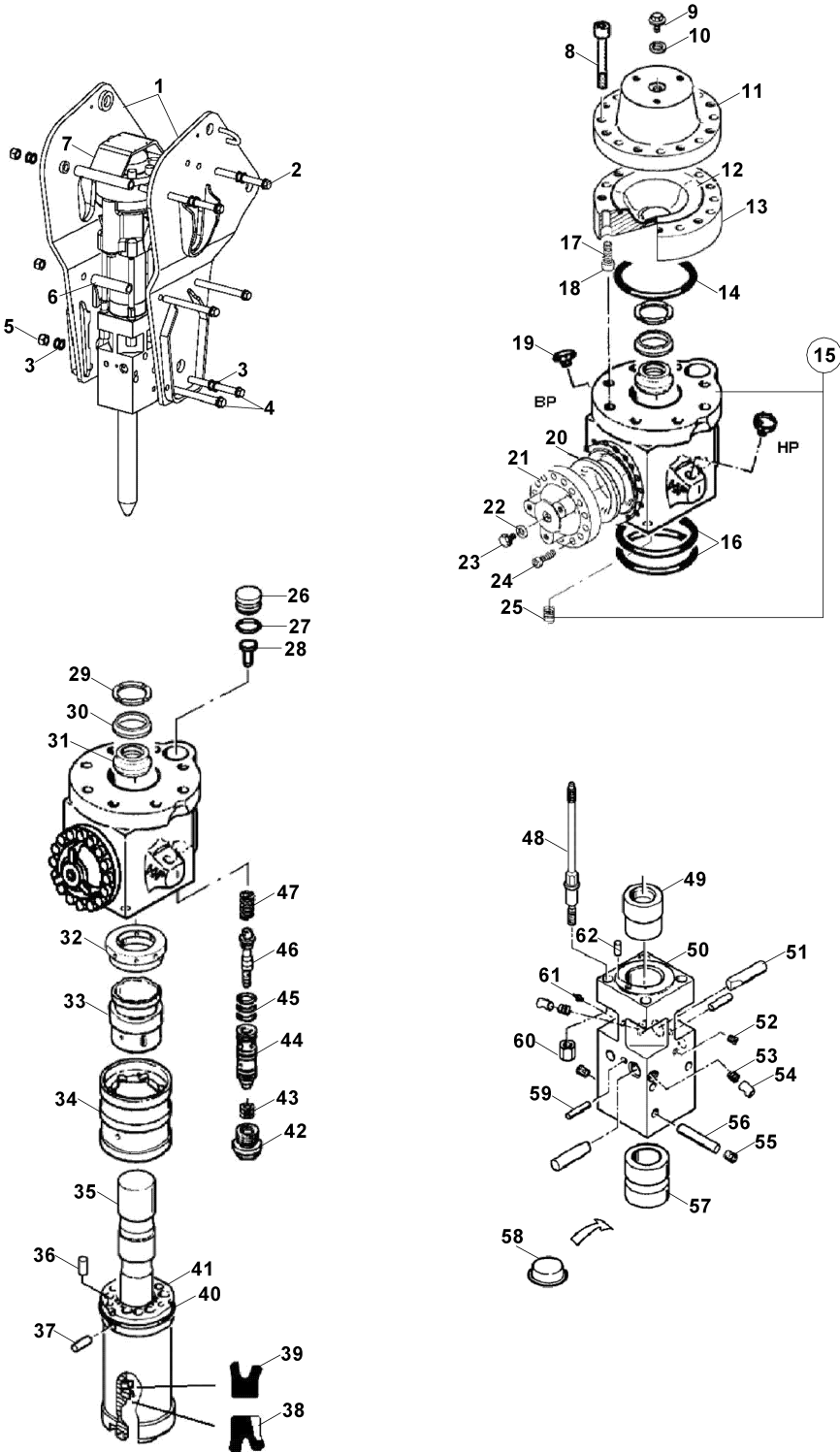
**KIRICI MONTAJI (ALICON B70) (OP)**  
**BREAKER MOUNTING (ALICON B70) (OP)**



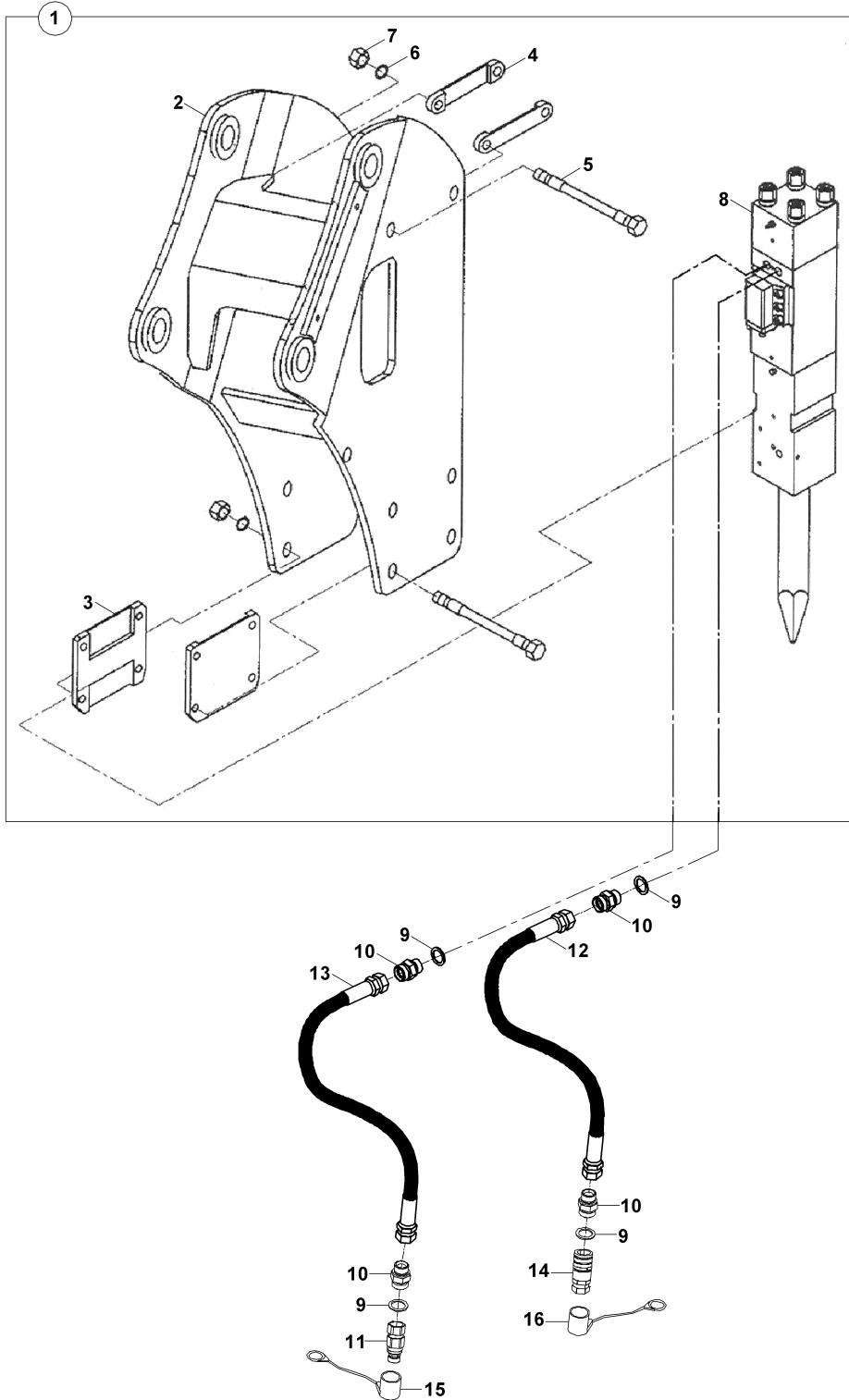
**KIRICI KOMPLESİ (LIFTON, LH 360) (OP)**  
**BREAKER ASSEMBLY (LIFTON, LH 360) (OP)**



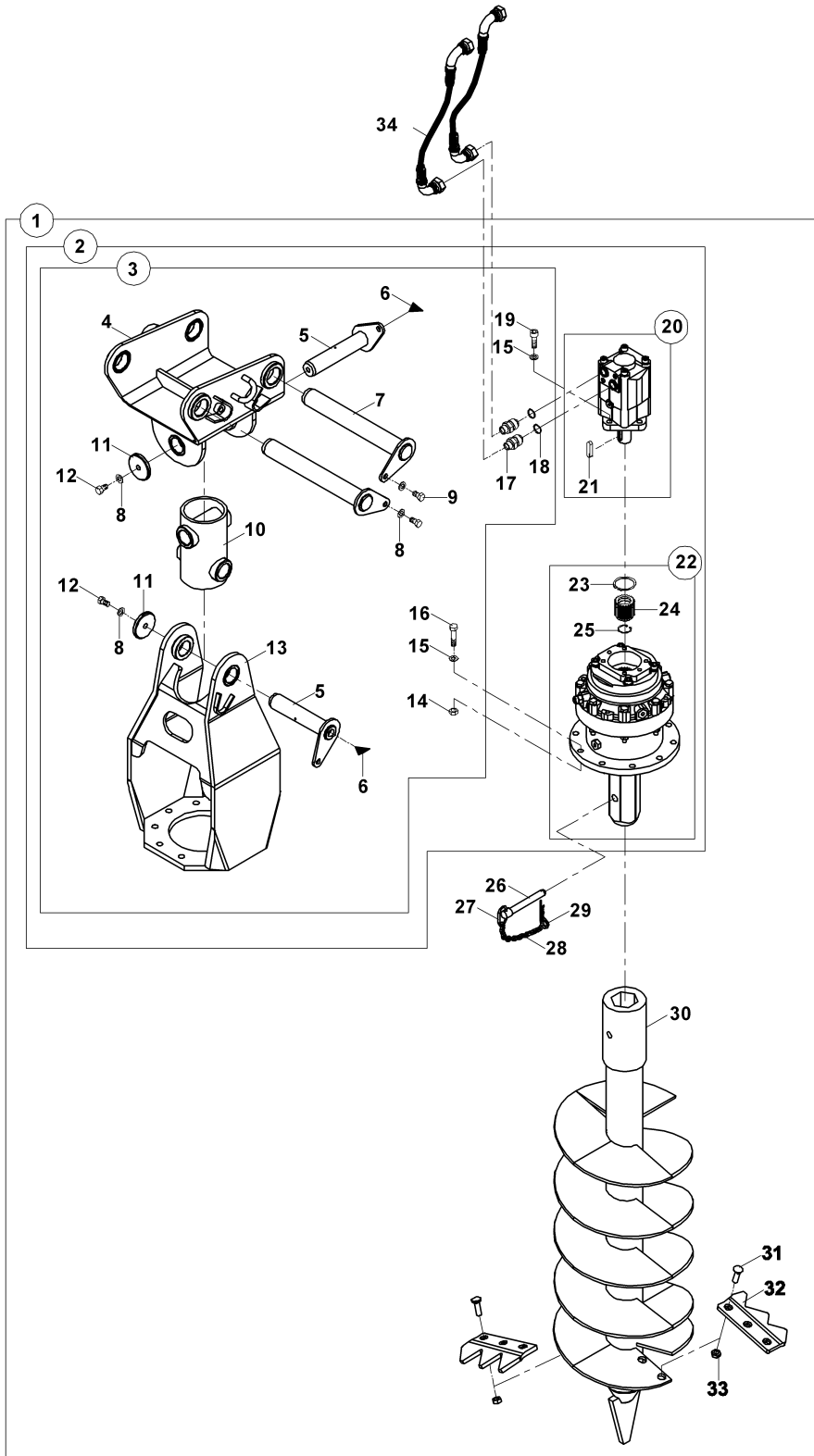
### KIRICI KOMPLESİ (MONTABERT-140) (OP) BREAKER ASSEMBLY (MONTABERT-140) (OP)



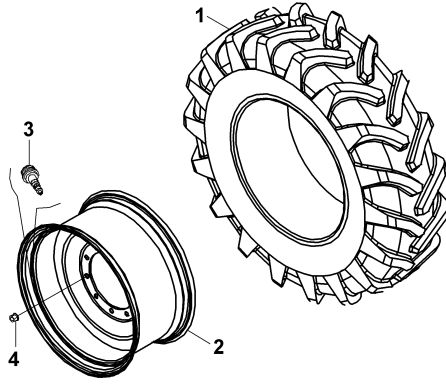
**KIRICI MONTAJI (DEMO S700V) (OP)**  
**BREAKER ASSEMBLY (DEMO S700V) (OP)**



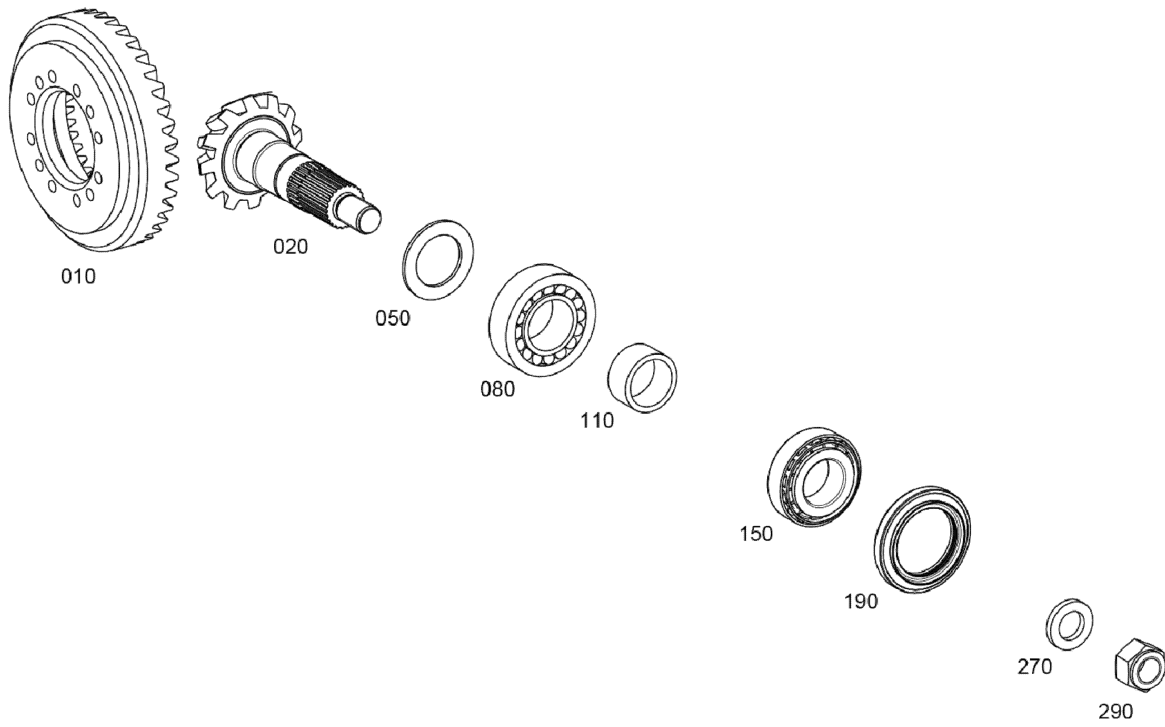
**BURGU (Ø500x1000) (OP)**  
**AUGER (Ø500x1000) (OP)**



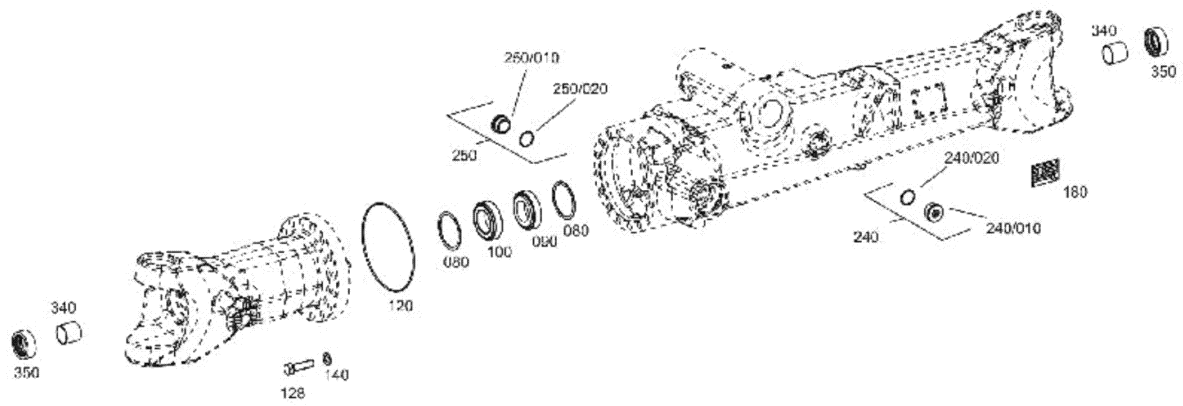
TEKER VE LASTİK GRUBU, ÖN  
WHELL & TIRE GROUP, FRONT



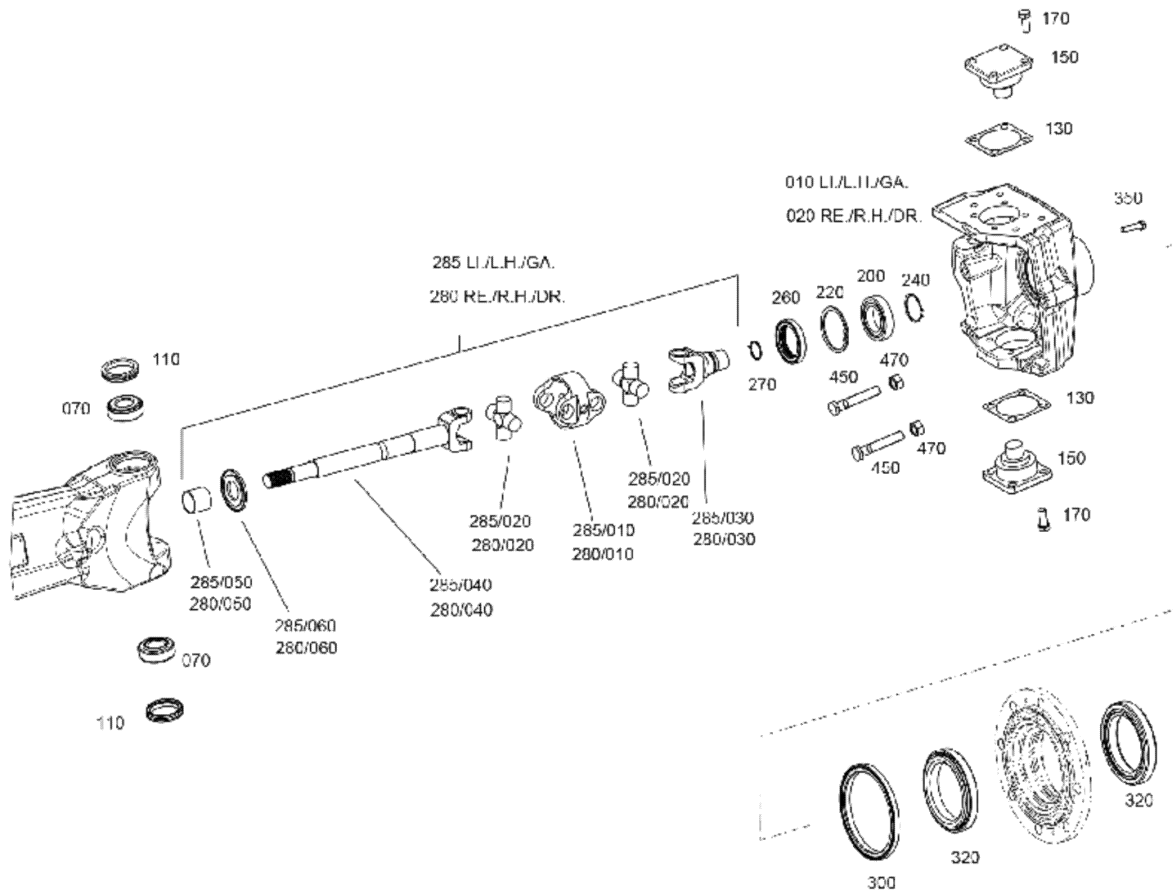
# ÖN AKS, AYNA MAHRUTİ FRONT AXLE, BEVER GEAR SET



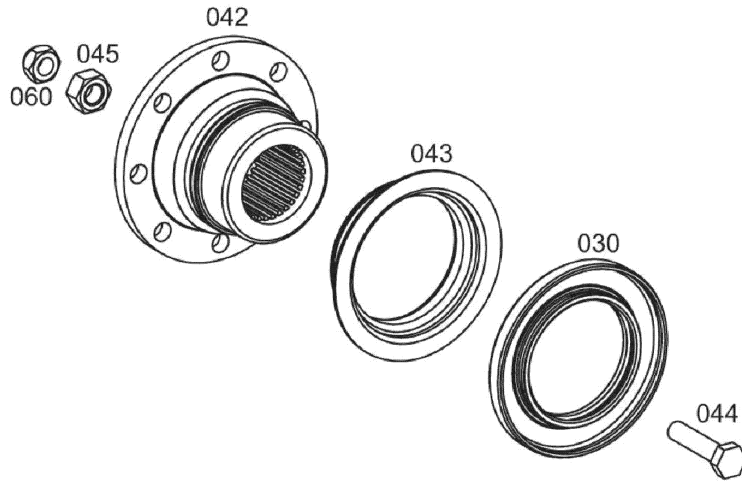
**ÖN AKS, KOVAN PARÇALARI**  
**FRONT AXLE, AXLE CASING PARTS**



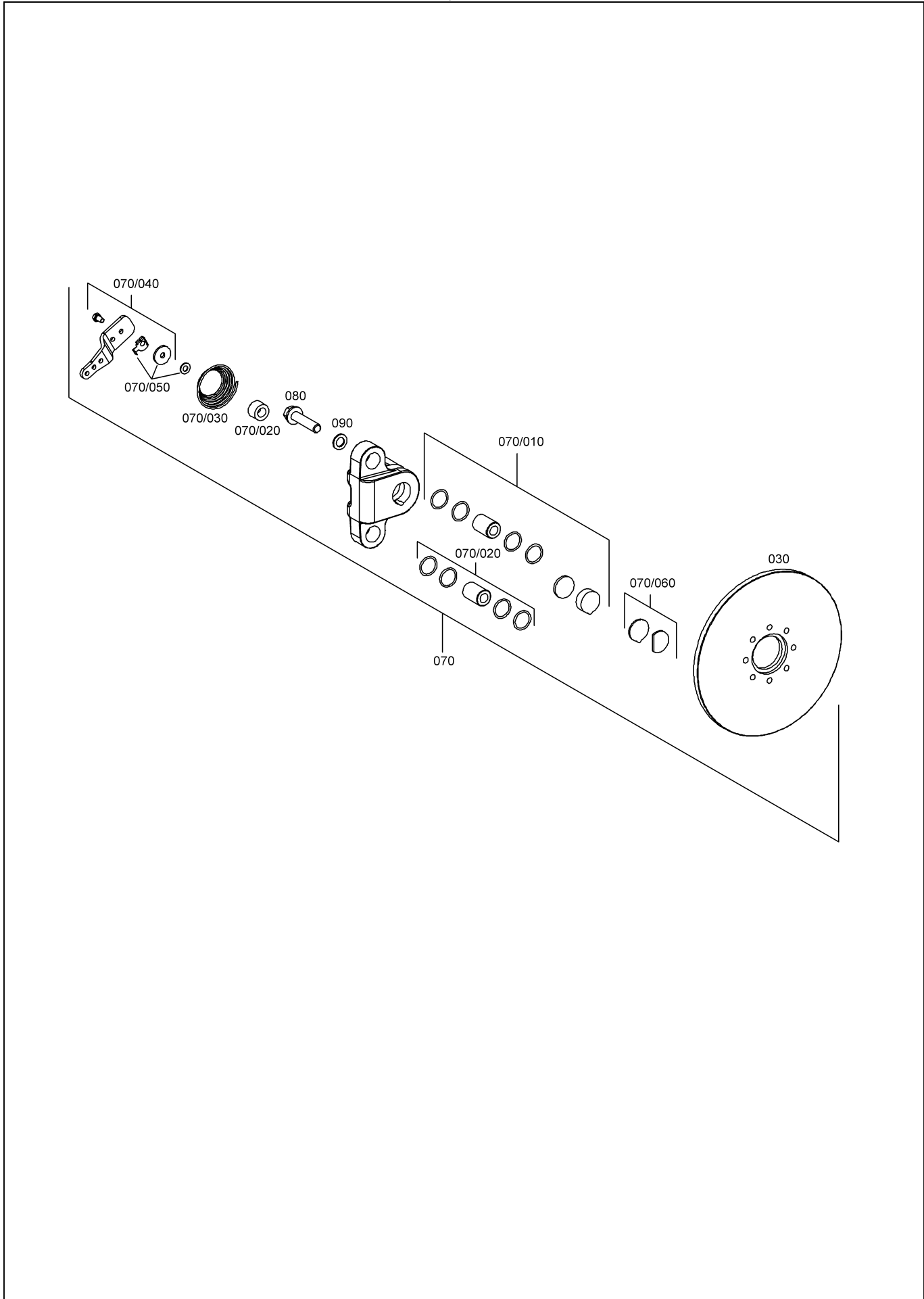
## ÖN AKS, AKS BAŞI MONTAJI FRONT AXLE, JOINT HOUSING MOUNTING



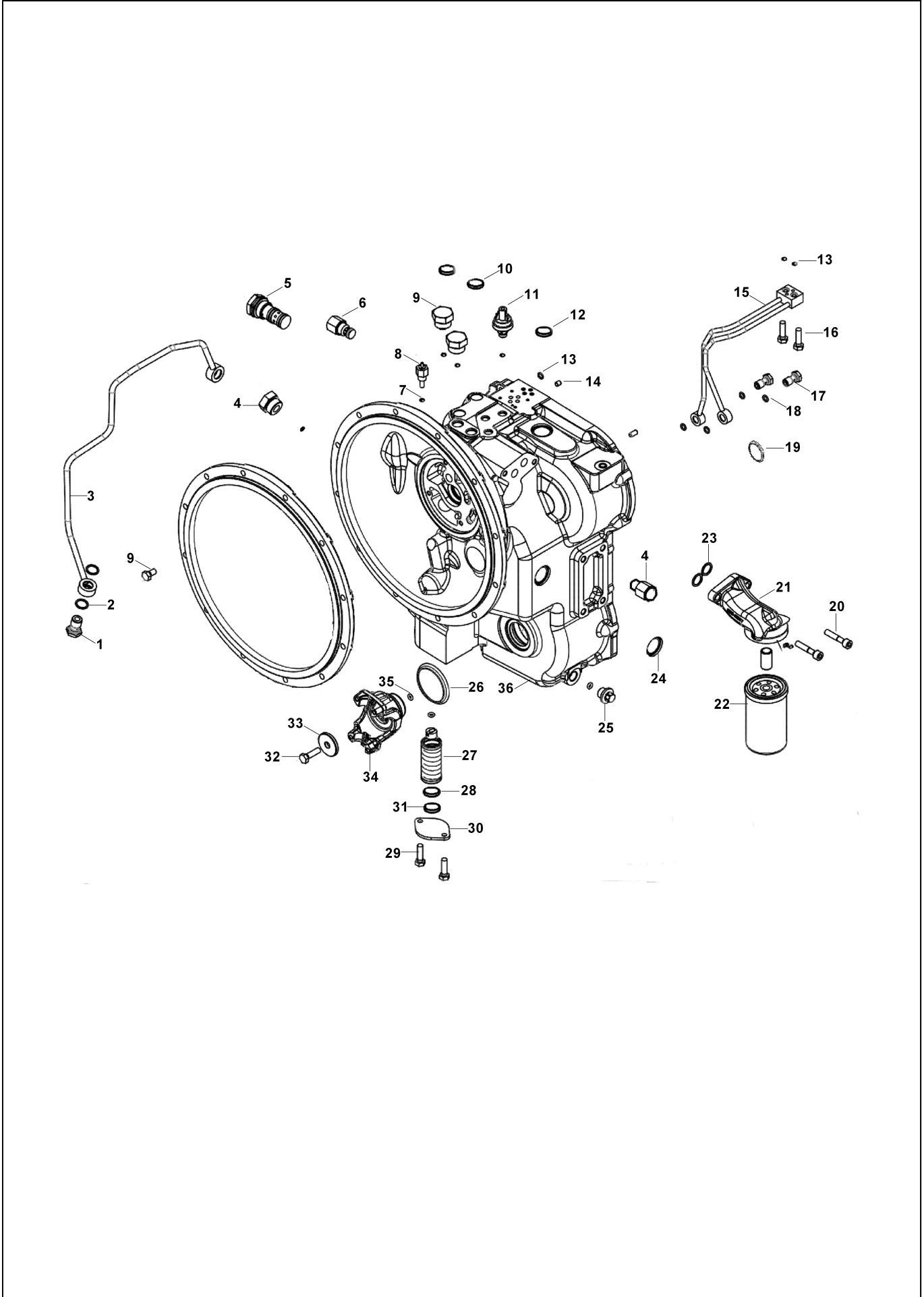
ARKA AKS, ŞAFT BAĞLANTISI  
REAR AXLE, INPUT FLANGE



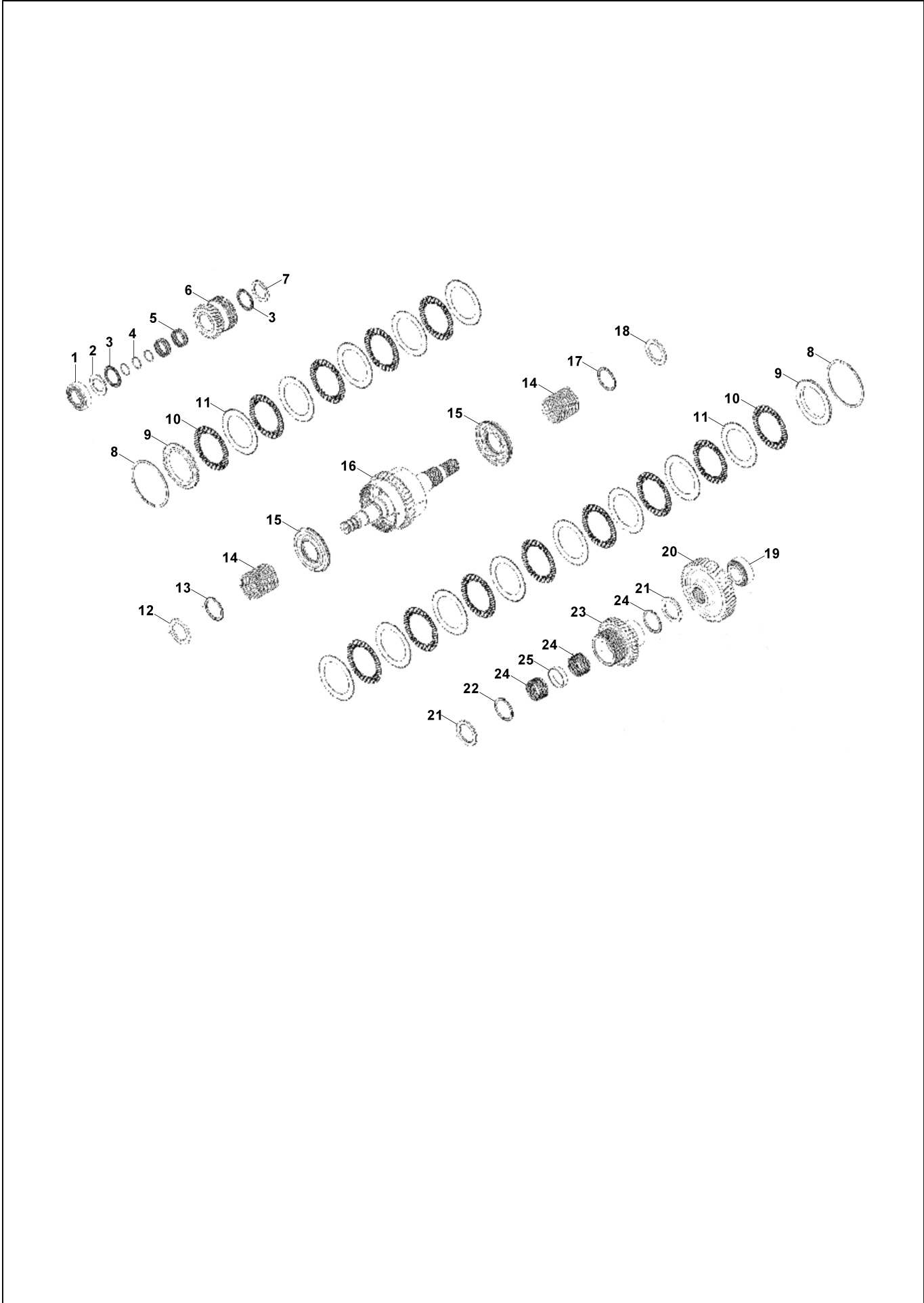
### ARKA AKS, PARK FRENİ REAR AXLE, PARK BRAKE



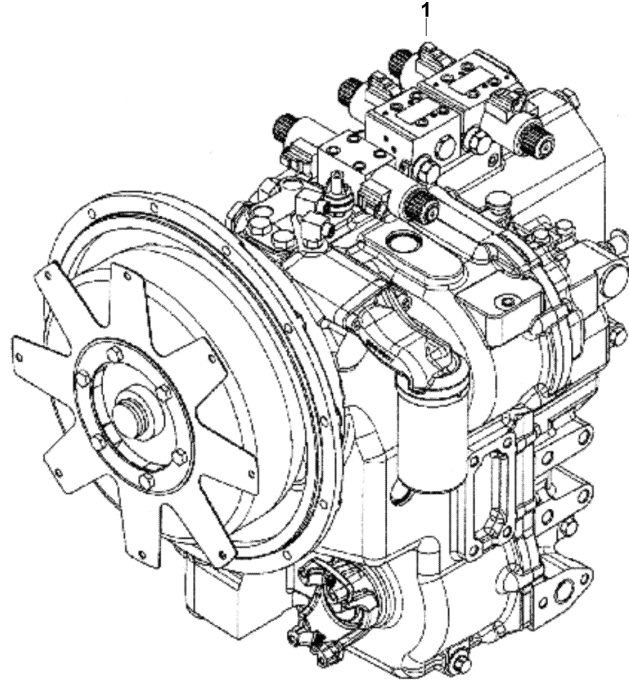
**ŞANZIMAN, TRANSMİSYON GÖVDESİ, ÖN (STANDART)**  
**TRANSMISSION, FRONT CASING AND ANCILLIARIES (STANDARD)**



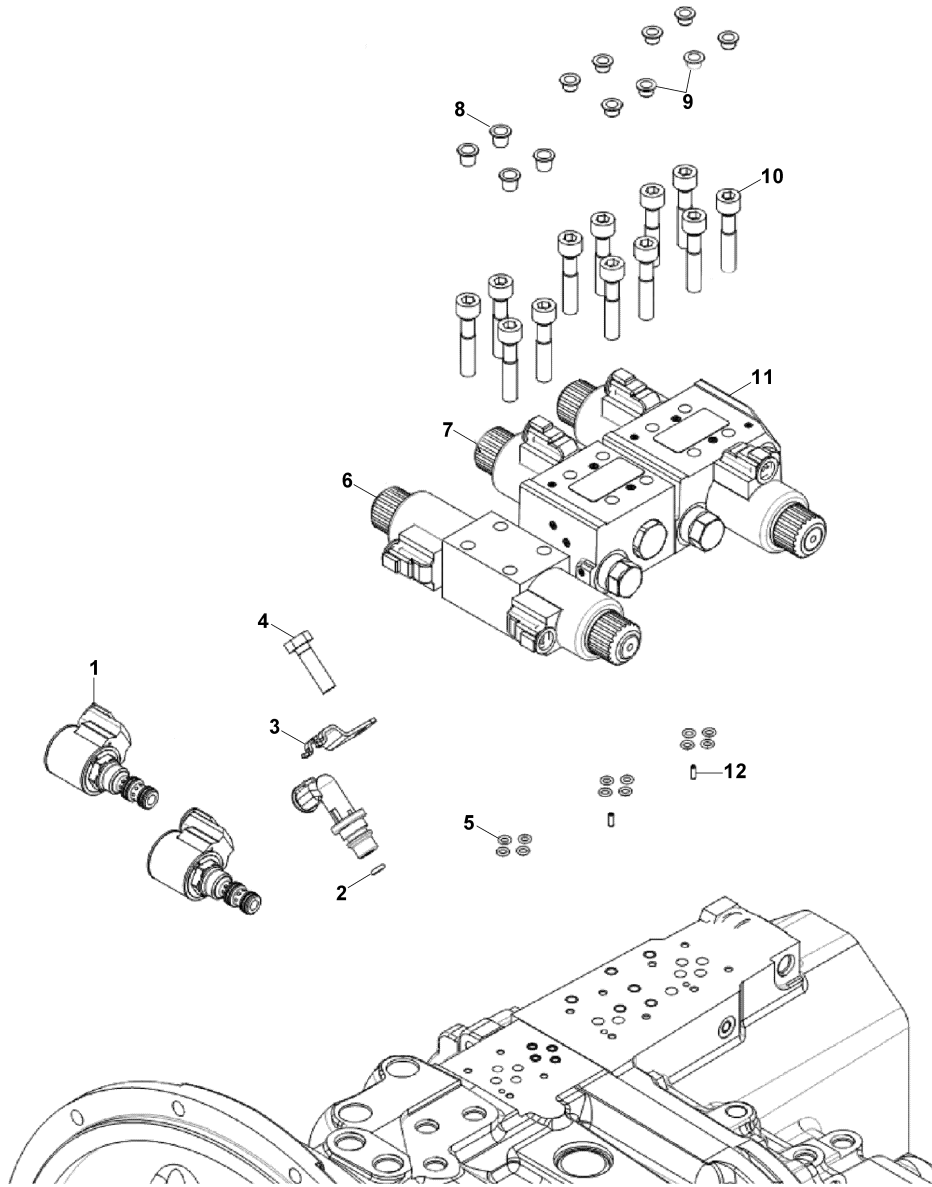
**ŞANZIMAN, KAVRAMA GRUBU, ANA (STANDART)**  
**TRANSMISSION, SHAFT GROUP - MAIN (STANDARD)**



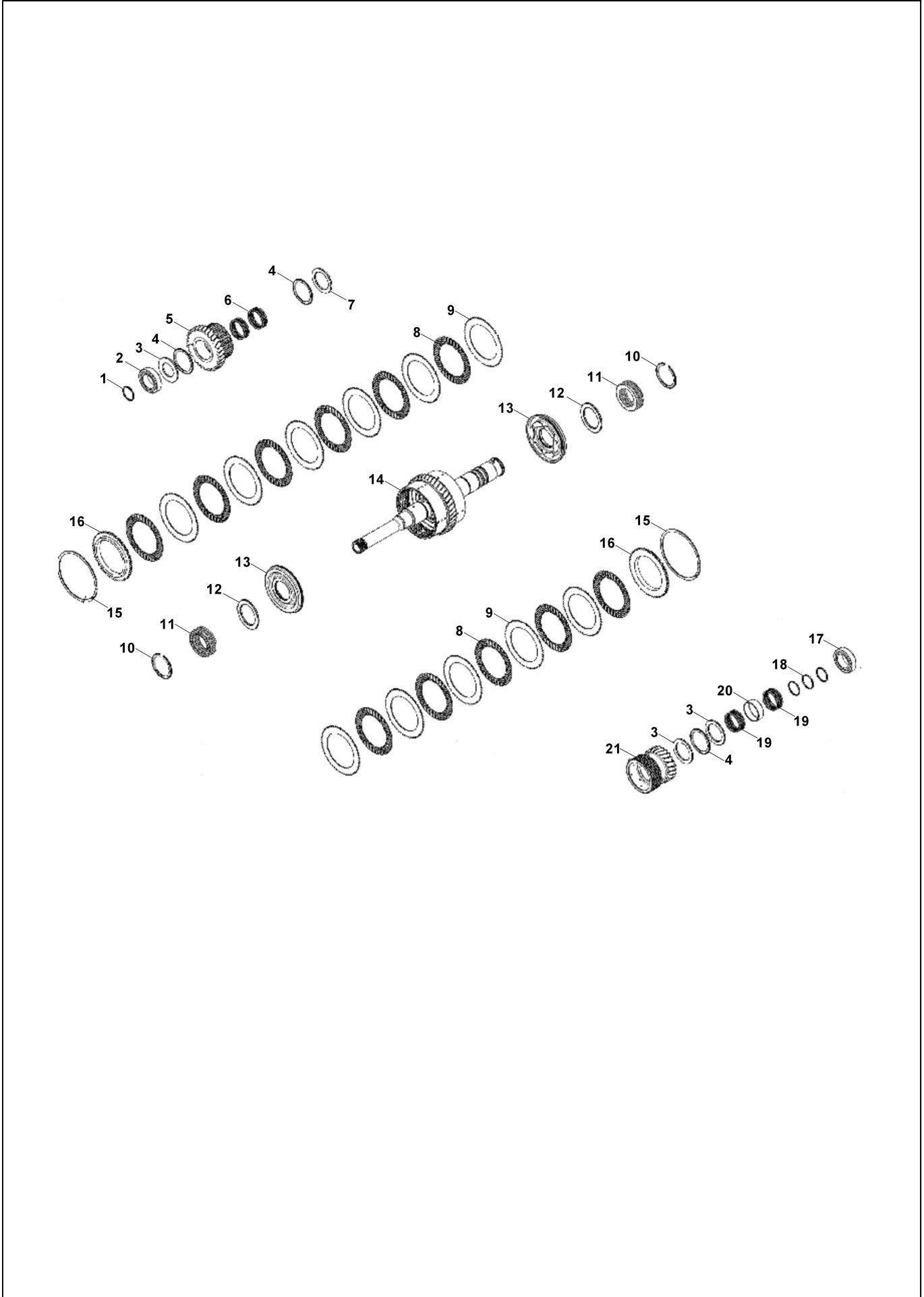
**ŞANZIMAN (LUCK-UP)  
TRANSMISSION (LUCK-UP)**



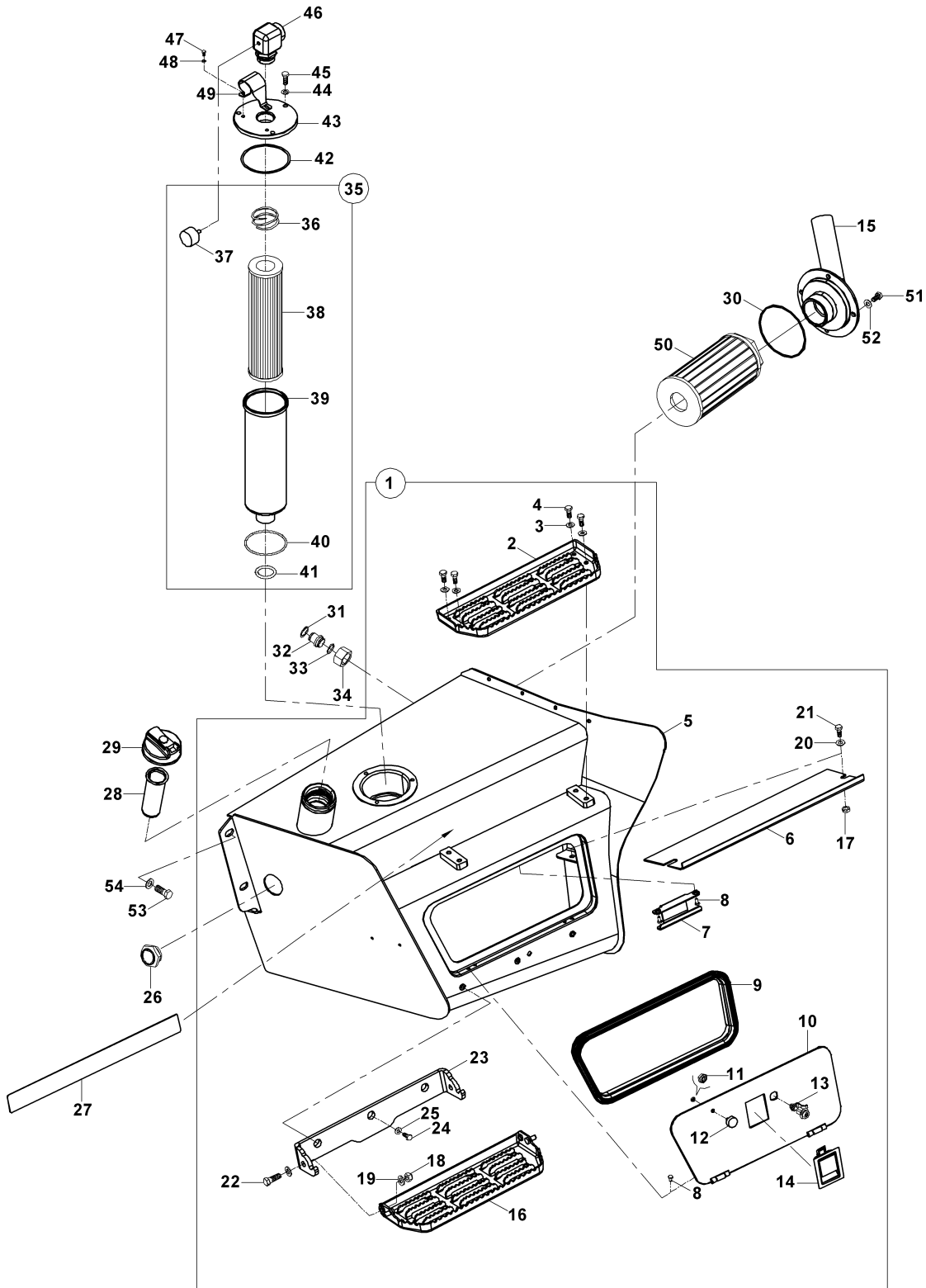
### ŞANZIMAN, VALF GRUBU TRANSMISSION, VALVE GROUP



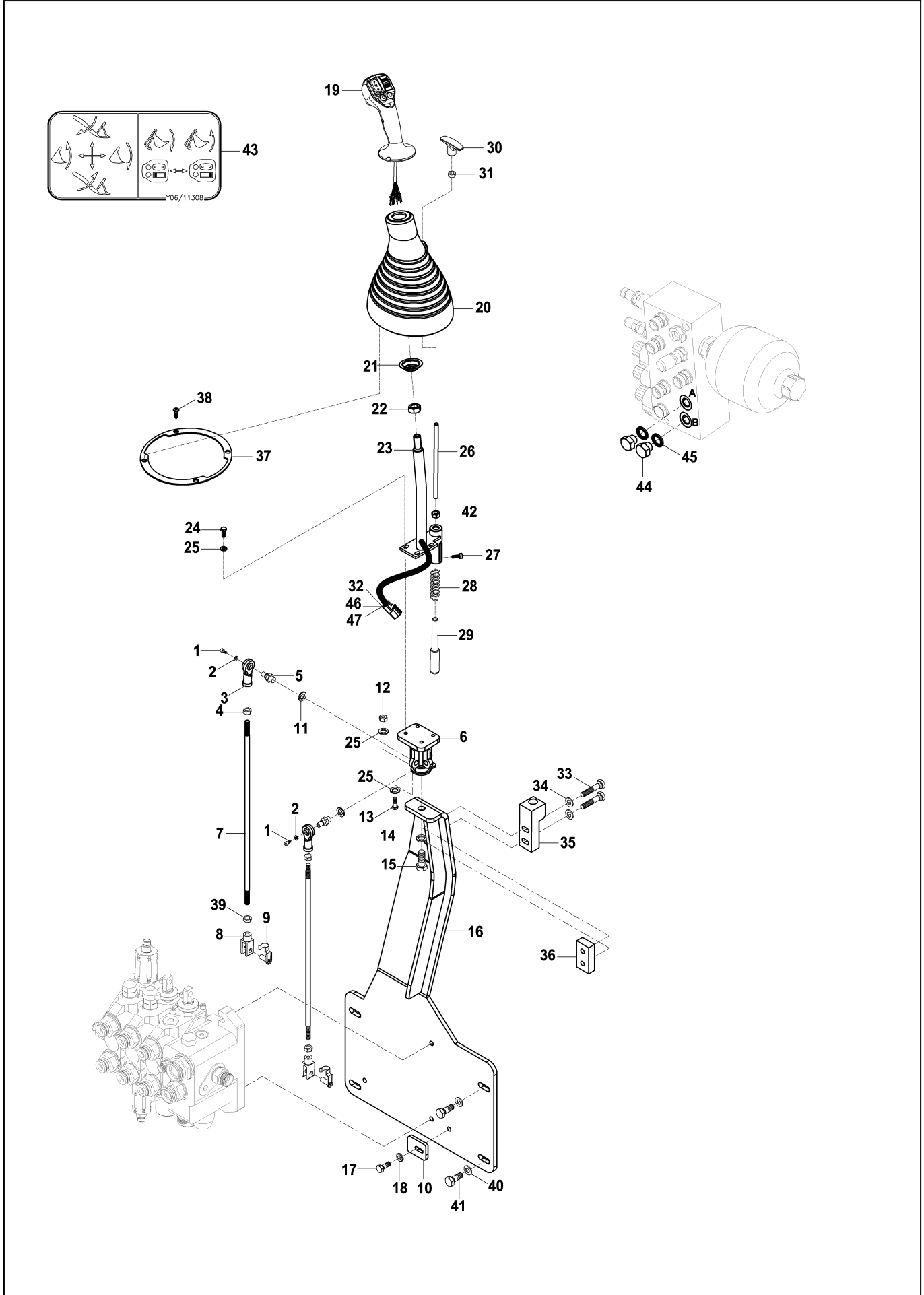
**ŞANZIMAN, KAVRAMA GRUBU, GİRİŞ (LUCK-UP)**  
**TRANSMISSION, SHAFT GROUP INPUT (LUCK-UP)**



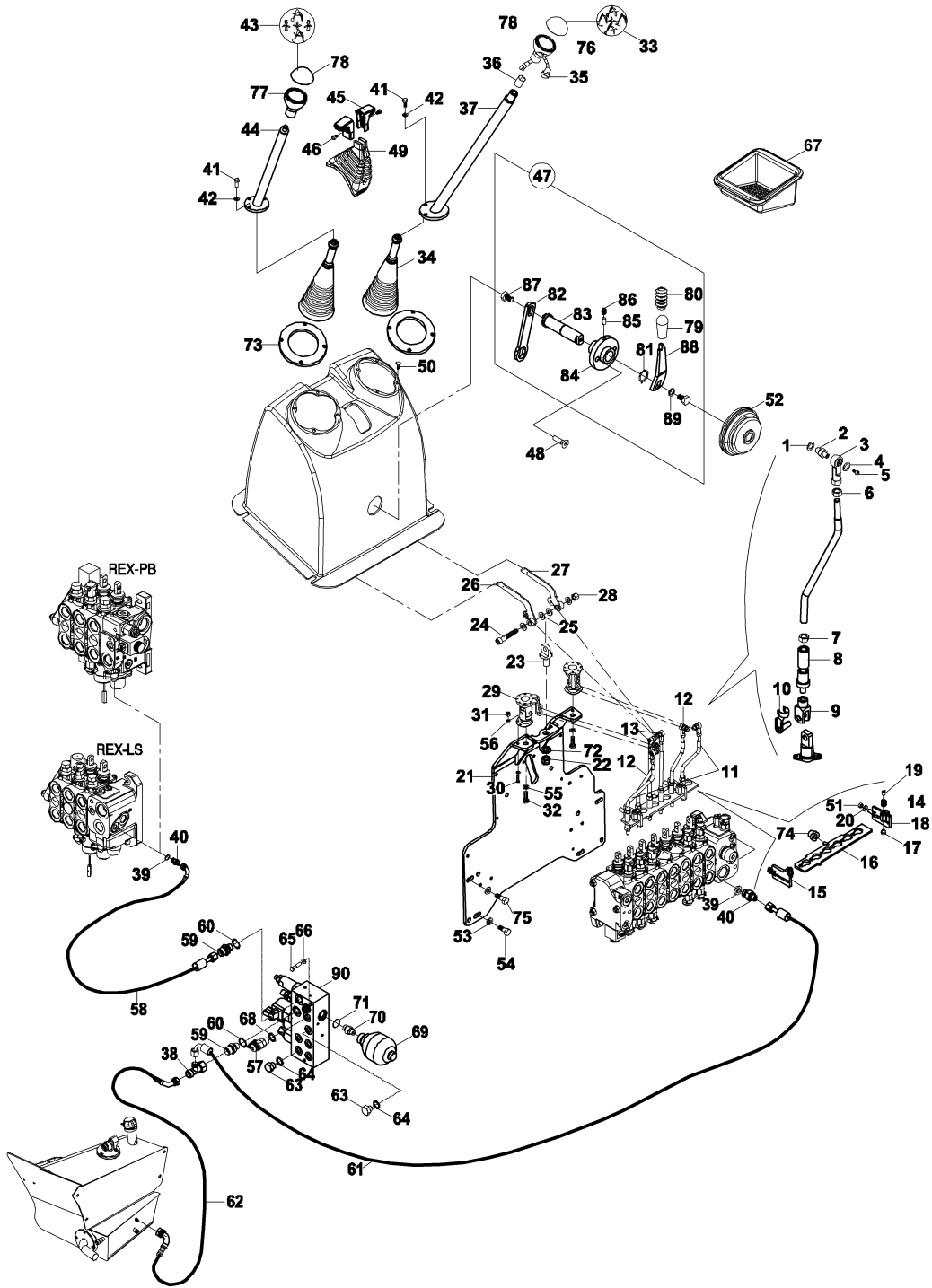
### HİDROLİK TANK MONTAJI HYDRAULIC TANK MOUNTING



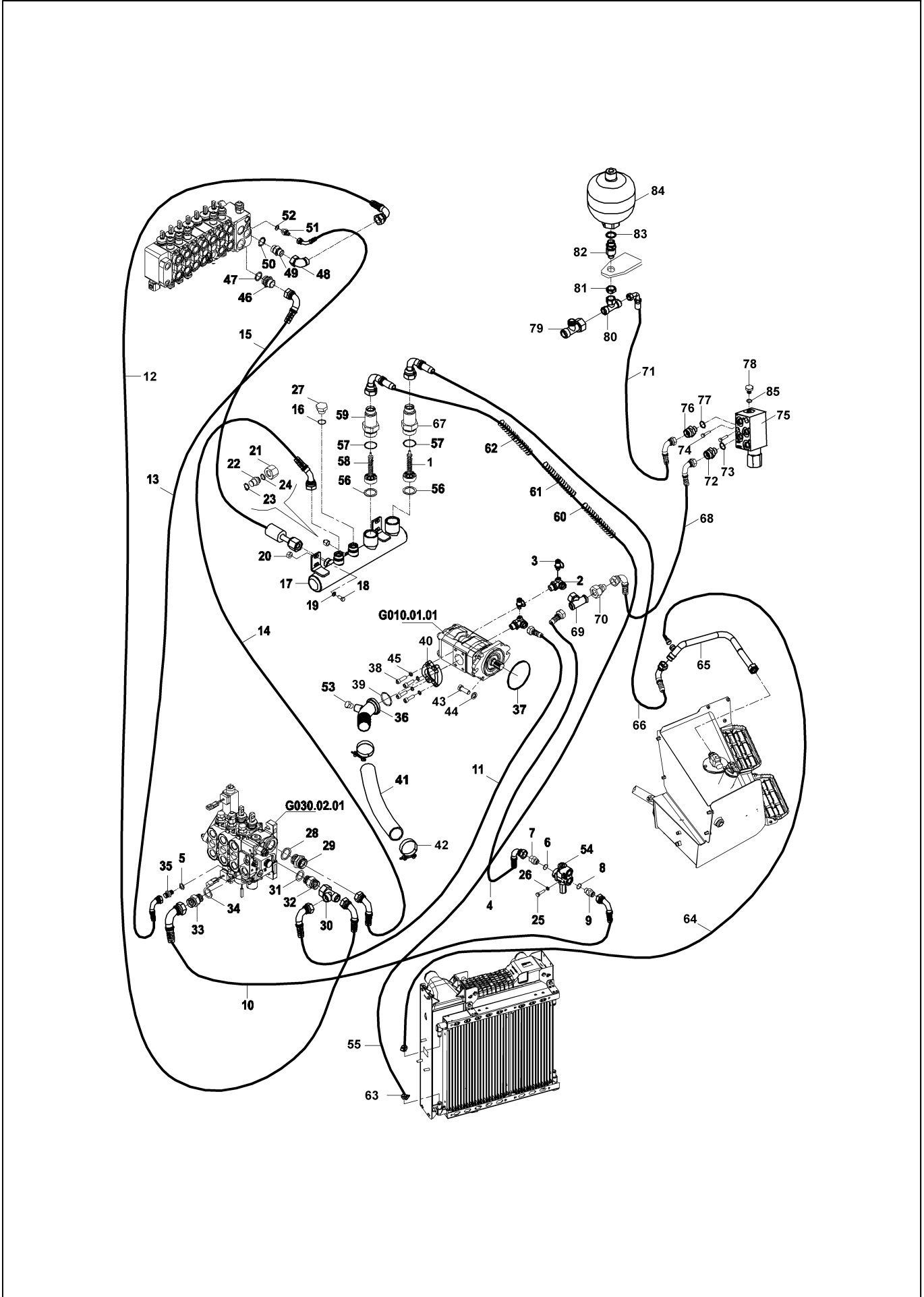
**YÜKLEYİCİ KUMANDA MEKANİZMASI (AÇILIR KEPÇE & LEVYE & TİP B)**  
**LOADER CONTROL MECHANISM(MULTIPURPOSE BUCKET & LEVERS & TYPE B)**



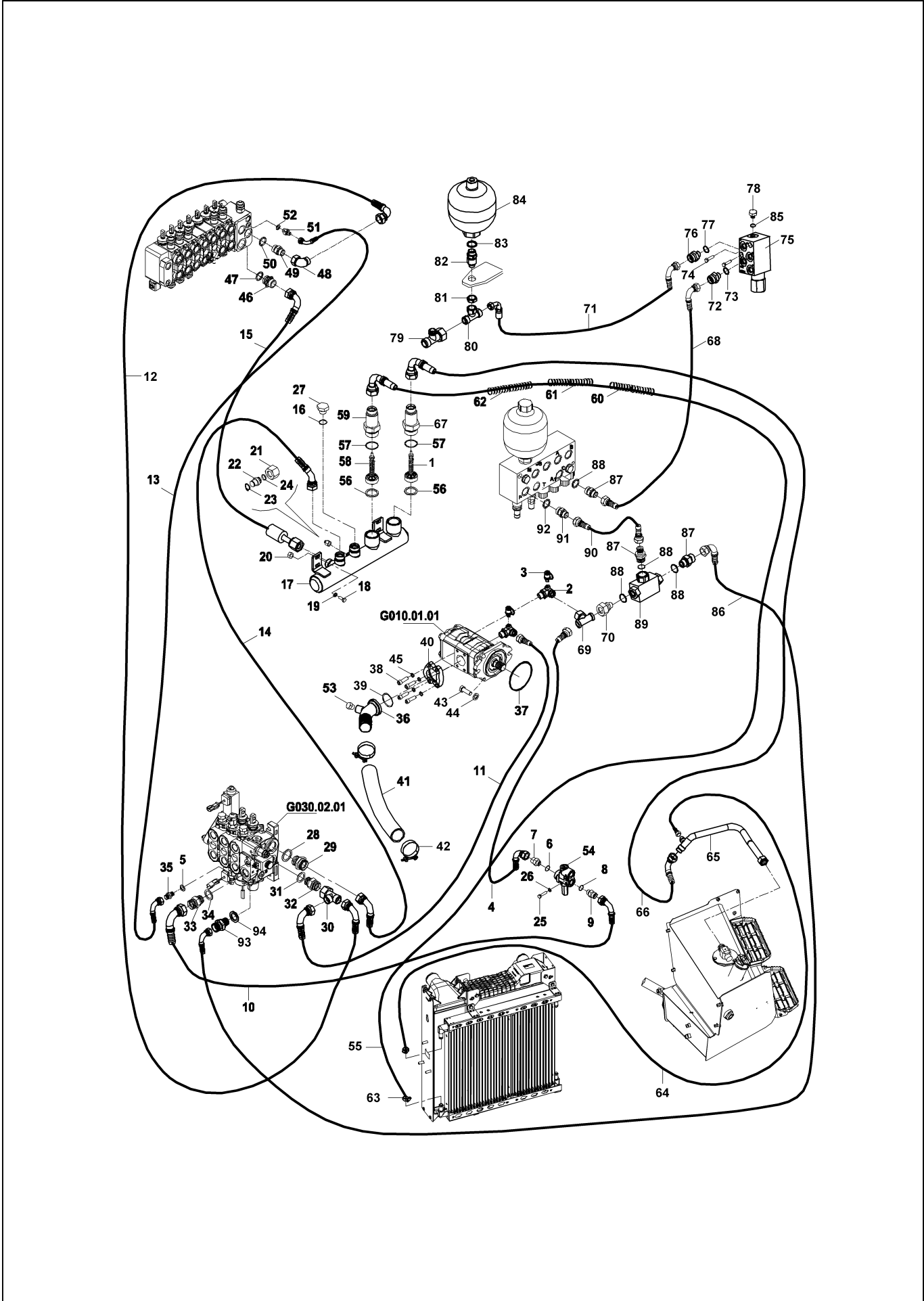
# ARKA KUMANDA MEKANİZMASI (TİP B) (OP) BACKHOE CONTROL MECHANISM (TYPE B) (OP)



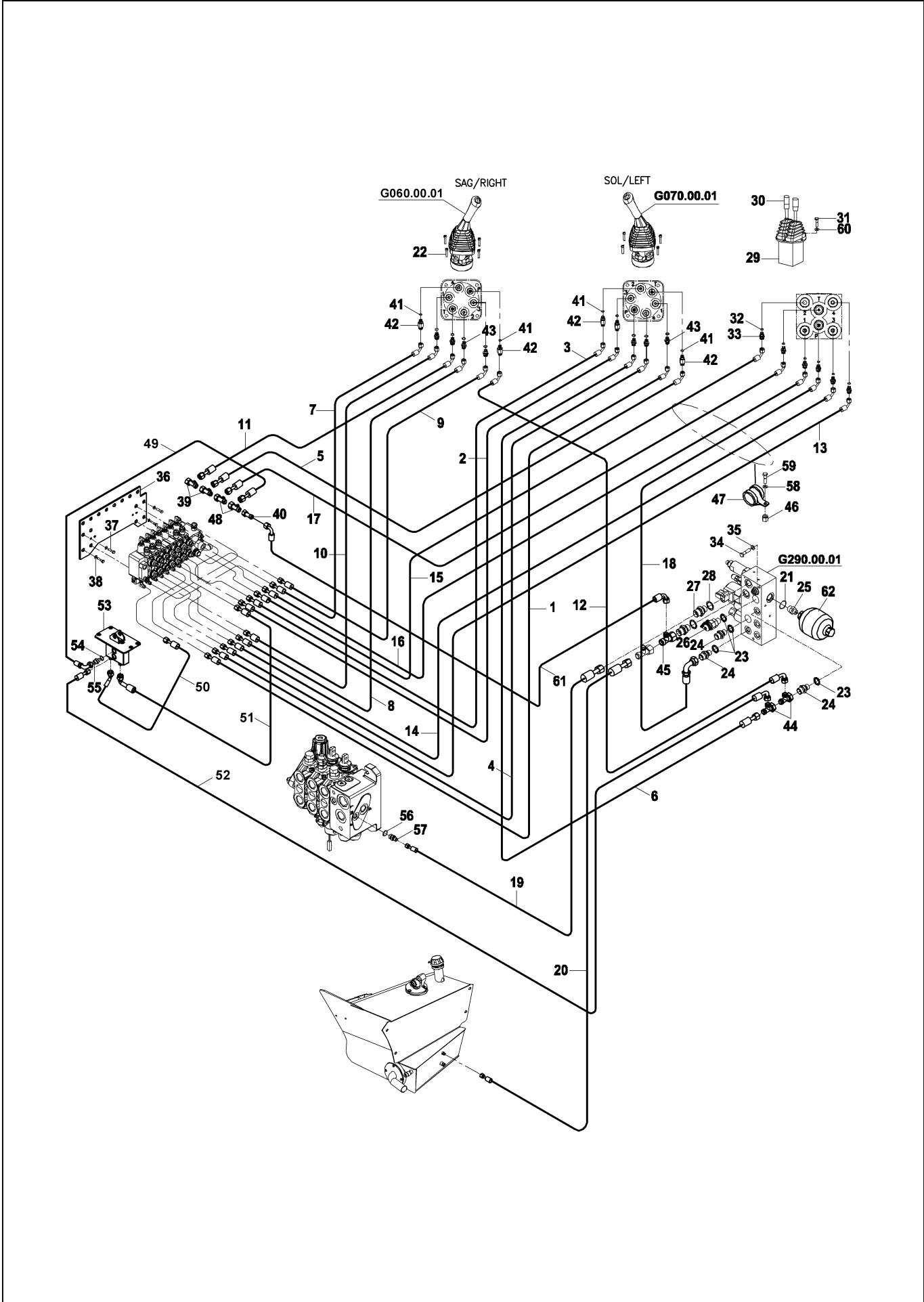
### HİDROLİK TESİSAT, ANA DAĞITIM (DİŞLİ POMPA & TURNER & TİP B) HYDRAULIC PIPING, MAIN (GEAR PUMP & TURNER & TYPE B)



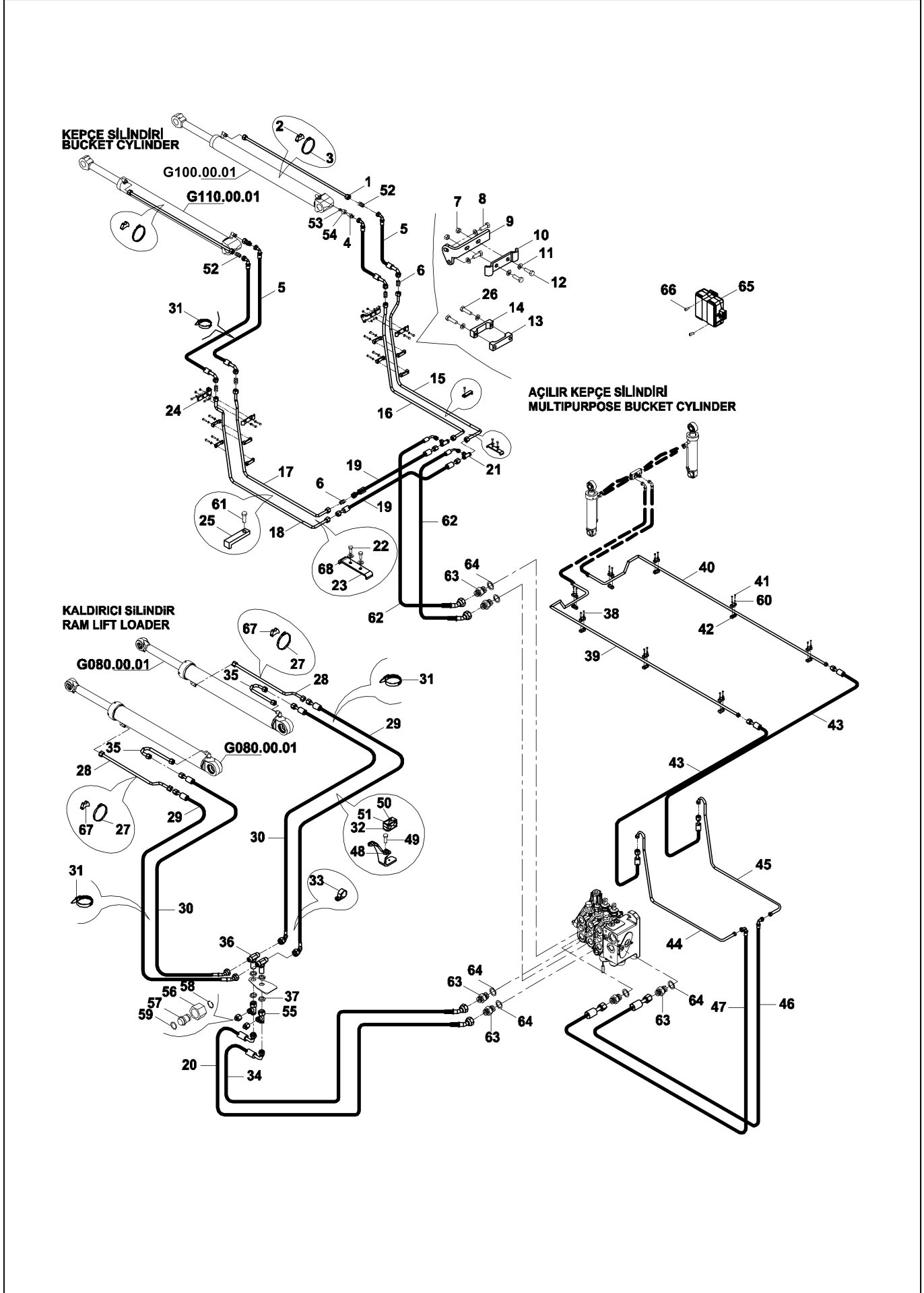
### HİDROLİK TESİSAT, ANA DAĞITIM (DİŞLİ POMPA & TURNER & TİP B) HYDRAULIC PIPING, MAIN (GEAR PUMP & TURNER & TYPE B)



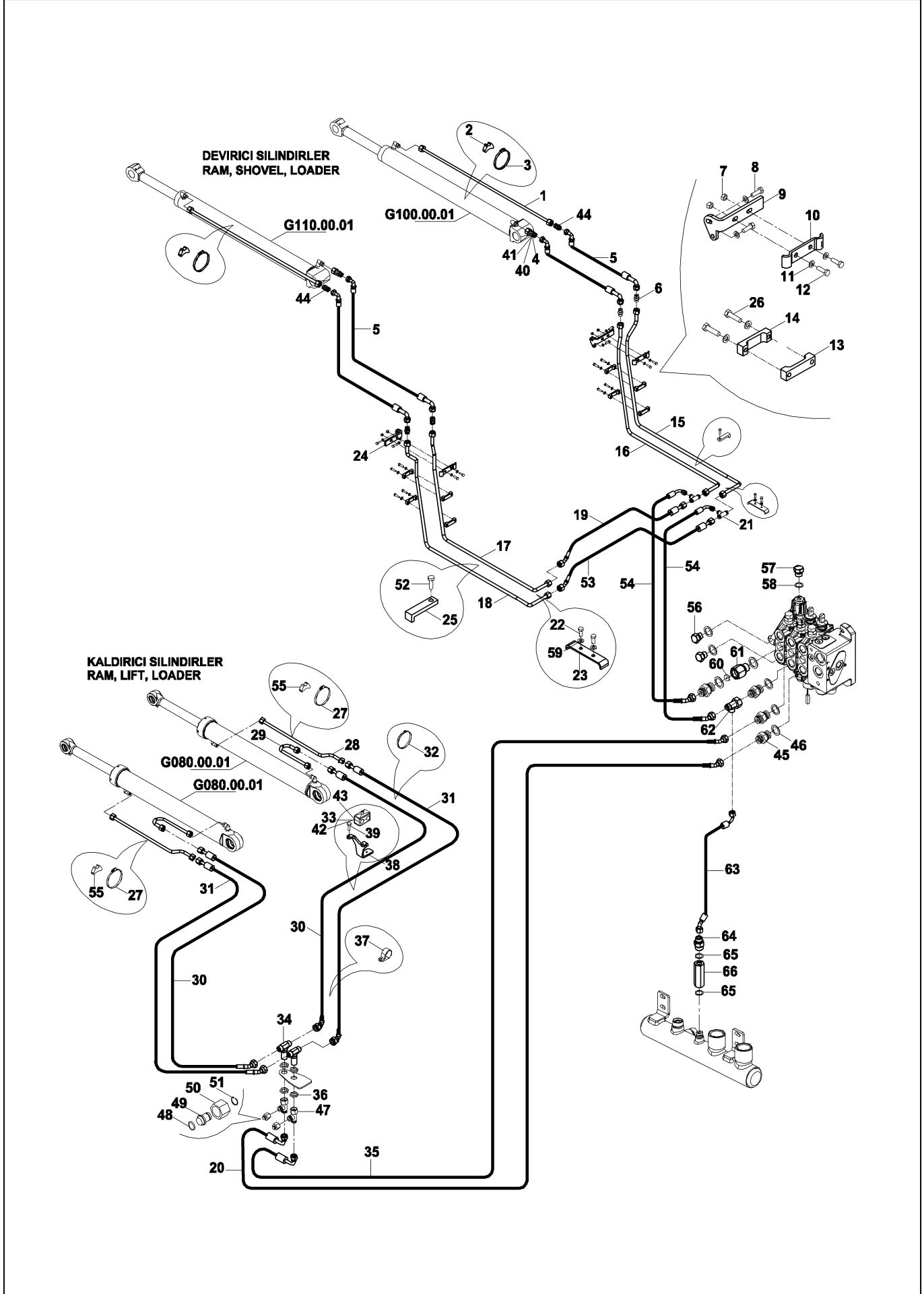
### HİDROLİK TESİSAT, PİLOT (TİP B) HYDRAULIC PIPING, PILOT (TYPE B)



**YÜKLEYİCİ HİDROLİK TESİSATI, AÇILIR KEPÇE (TİP B & DİŞLİ POMPA) (OP)  
 LOADER HYD. PIPING, MULTIPURPOSE BUCKET (TYPE B & GEAR PUMP) (OP)**



**YÜKLEYİCİ HİDROLİK TESİSATI, SABİT KEPÇE (TİP B & PİSTONLU POMPA) (OP)**  
**LOADER HYD. PIPING, SHOVEL (TYPE B & PISTON PUMP) (OP)**



CLICK HERE TO **DOWNLOAD** THE COMPLETE MANUAL

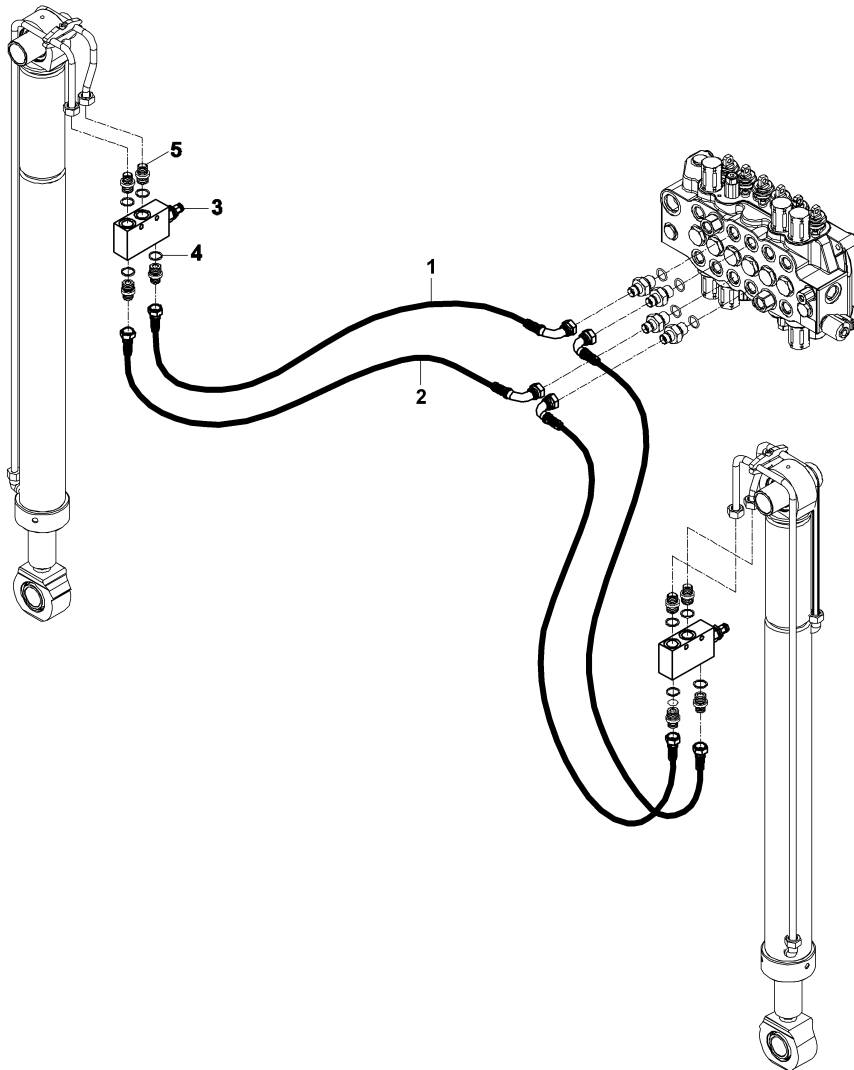
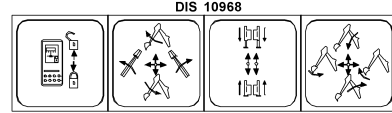
- Thank you very much for reading the preview of the manual.
- You can download the complete manual from: [www.heydownloads.com](http://www.heydownloads.com) by clicking the link below



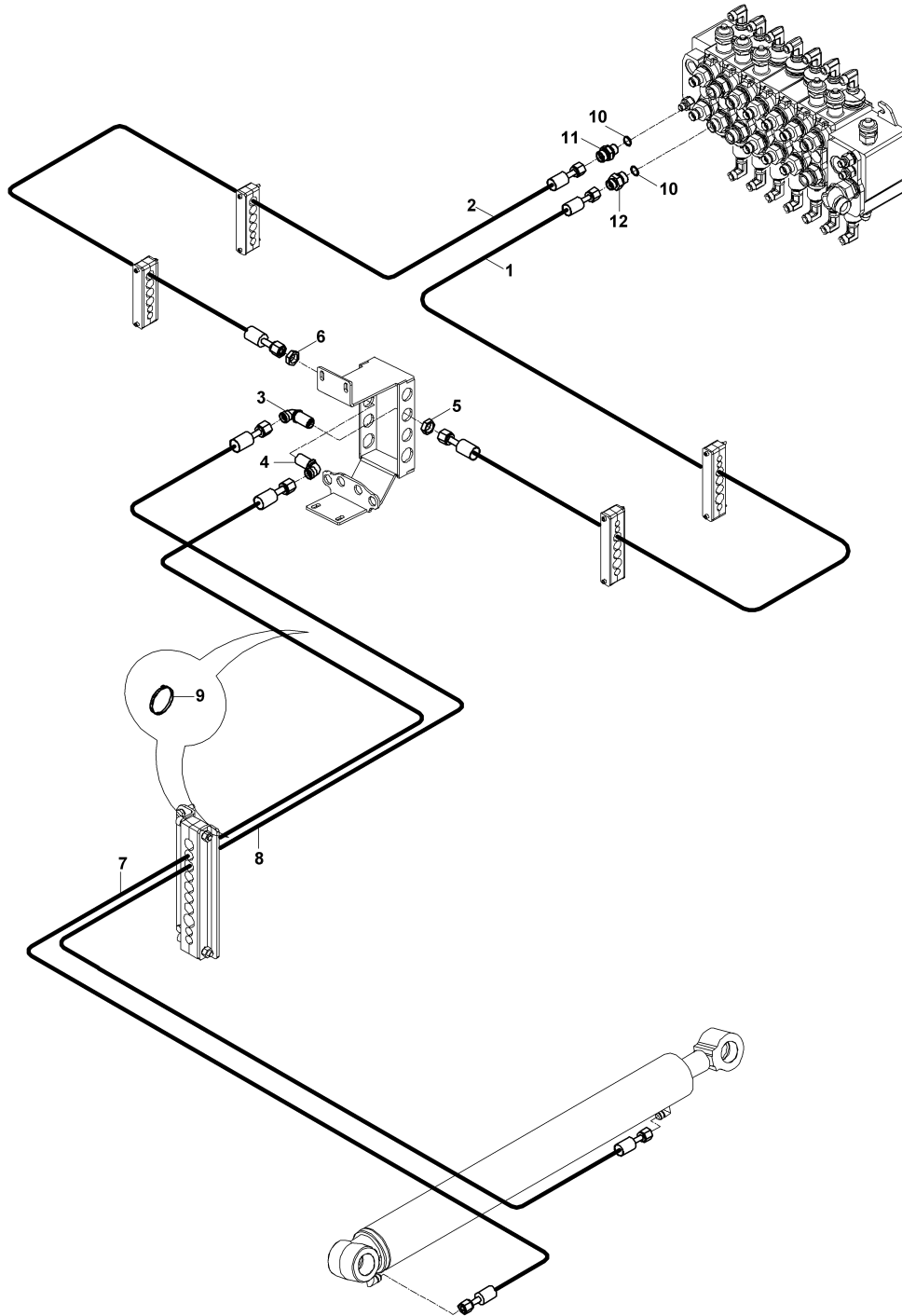
- Please note: If there is no response to CLICKING the link, please download this PDF first and then click on it.

CLICK HERE TO **DOWNLOAD** THE COMPLETE MANUAL

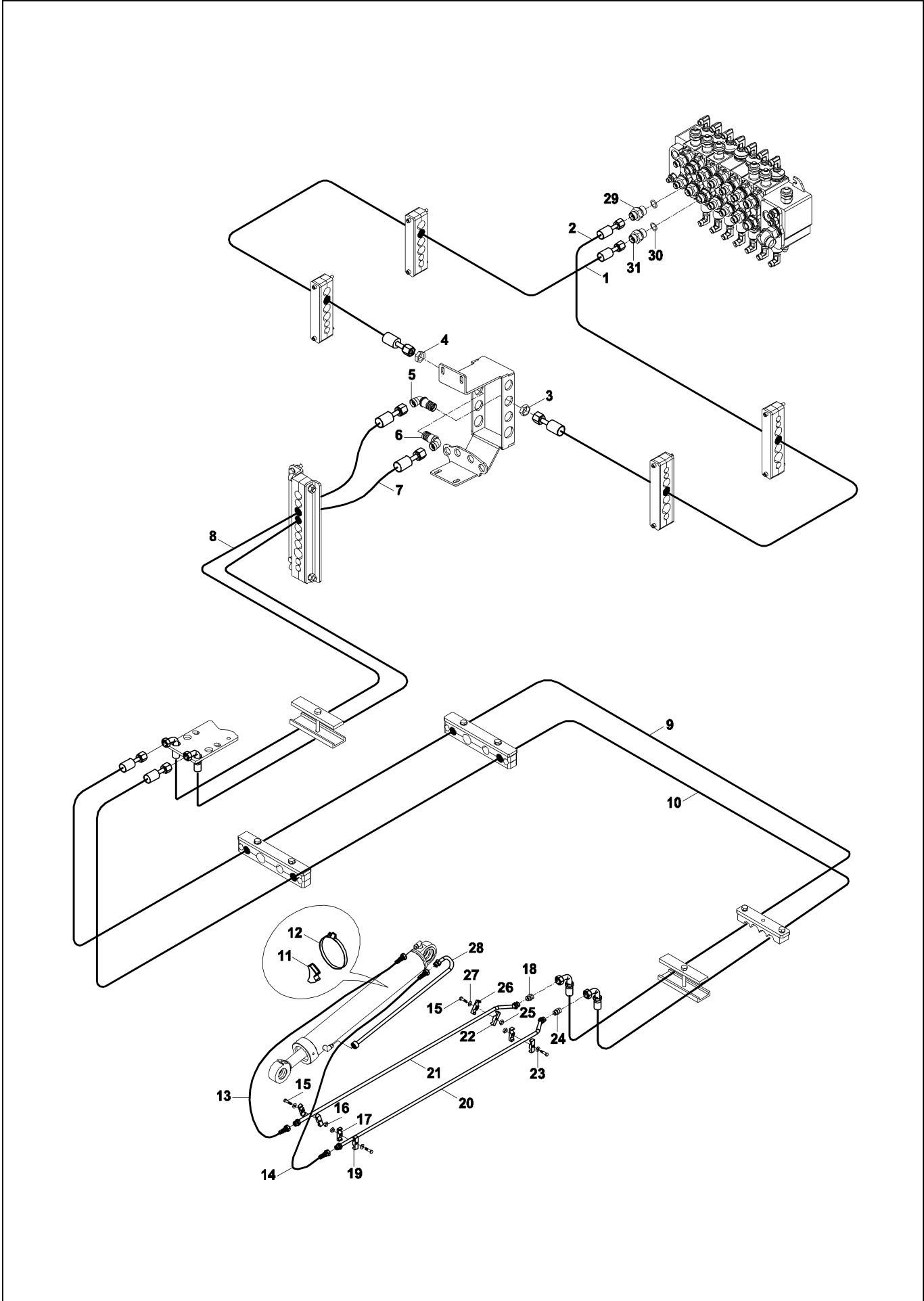
# HİDROLİK TESİSAT, AYAK SİLİNDİR HYD. PIPING, STABILIZER CYLINDER



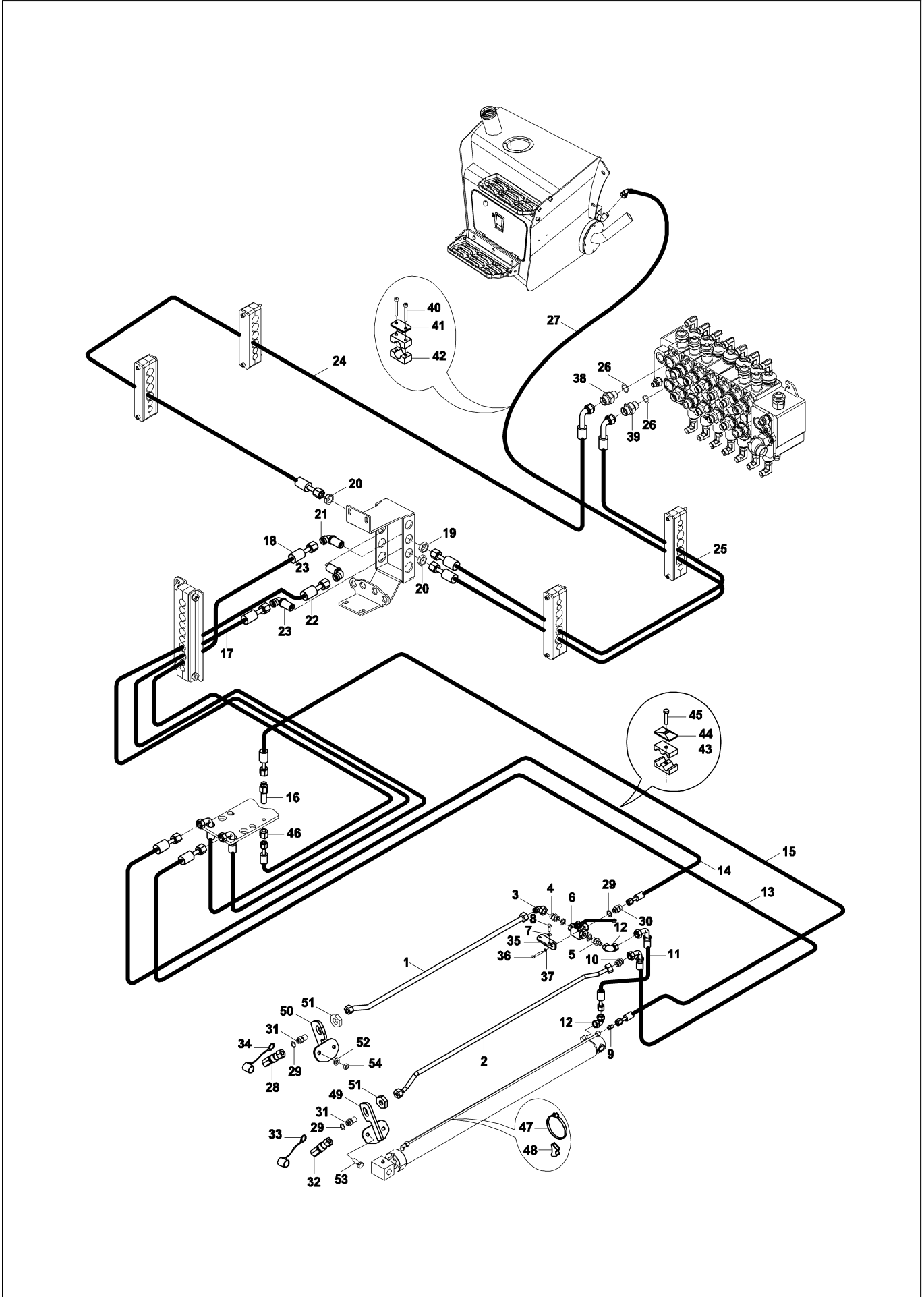
**KAZICI HİDROLİK TESİSATI, BOM SİLİNDİRİ (TİP B)**  
**BACKHOE HYDRAULIC PIPING, BOOM CYLINDER (TYPE B)**



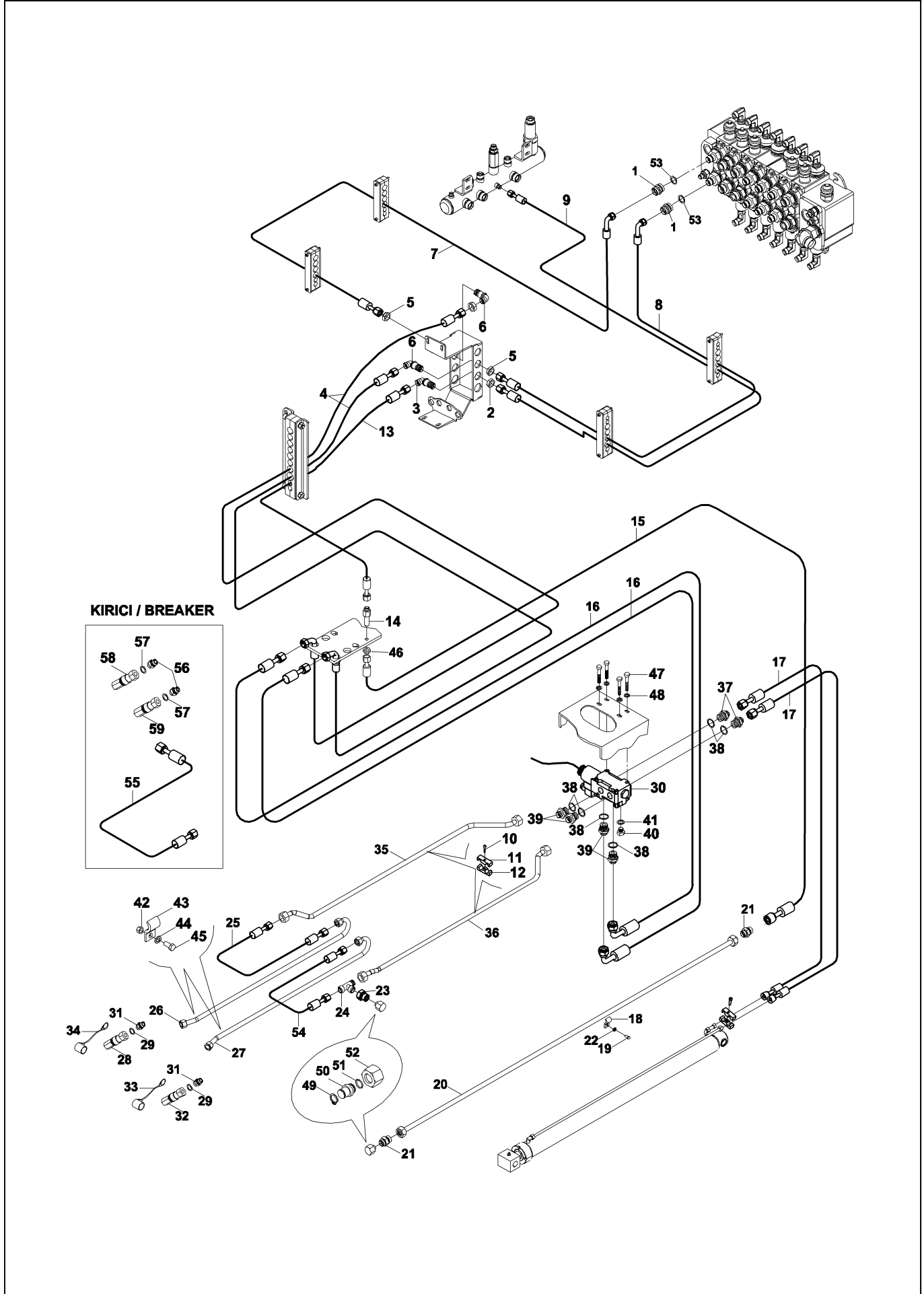
**KAZICI HİDROLİK TESİSATI, KEPÇE SİLİNDİRİ (TELESKOPIK BOM & TİP B)**  
**BACKHOE HYDRAULIC PIPING, BUCKET CYLINDER (TELESCOPIC BOOM & TYPE B)**



TEK ETKİLİ HİDROLİK TESİSATI (KIRICI&TELESKOPIK ARM&LEVYE+JOYİSTİK&TİP B)  
SINGLE ACTING HYD. PIPING(BREAKER&TELESCOPIC&LEVERS& JOYSTICK6TYPE



**İLAVE HAT HİDROLİK TESİSATI, BURGU/DÖNER KEPÇE (TELESKOPIK & TİP B)  
 ADDITIONAL LINE HYDRAULIC PIPING, AUGER/TILTING BUCKET (TELESCOPIC & TYPE B)**



# G - HİDROLİK KOMPONENTLER

## G - HYDRAULIC COMPONENTS

Sayfa No / Page No	Sayfa Adı	Page Name	Revizyon / Revision
G010.01.01	DİŞLİ POMPA	GEAR PUMP	
G010.01.01R1	DİŞLİ POMPA	GEAR PUMP	
G020.00.01	PİSTONLU POMPA	PISTON PUMP	
G030.01.01	YÜKLEYİCİ KUMANDA VALFİ (LS- TİP B)	LOADER CONTROL VALVE, MECHANIC (LS-TYPE B)	
G030.01.02	YÜKLEYİCİ KUMANDA VALFİ- GİRİŞ BLOĞU (TİP B)	LOADER CONTROL VALVE-INLET BLOCK (TYPE B)	
G030.01.03	YÜKLEYİCİ KUMANDA VALFİ- KALDIRICI SİLİNDİR, KONTROL BLOĞU (TİP B)	LOADER CONTROL VALVE- LIFT CYLINDER CONTROL BLOCK (TYPE B)	
G030.01.04	YÜKLEYİCİ KUMANDA VALFİ- ARM SİLİNDİR KONTROL, BLOĞU (TİP B)	LOADER CONTROL VALVE- ARM CYLINDER CONTROL BLOCK (TYPE B)	
G030.01.05	YÜKLEYİCİ KUMANDA VALFİ- AÇILIR KEPÇE SİLİNDİRİ, KONTROL BLOĞU(TİP B)	LOADER CONTROL VALVE- CLAMSHOVEL RAM CONTROL BLOCK (TYPE B)	
G030.01.06	YÜKLEYİCİ KUMANDA VALFİ- ÇIKIŞ BLOĞU (TİP B)	LOADER CONTROL VALVE- OUTLET BLOCK (TYPE B)	
G030.02.01	YÜKLEYİCİ KUMANDA VALFİ (TİP B-PB)	LOADER CONTROL VALVE, MECHANIC (TYPE B-PB)	
G030.02.02	YÜKLEYİCİ KUMANDA VALFİ- ARM SİLİNDİR KONTROL, BLOĞU (TİP B)	LOADER CONTROL VALVE- ARM CYLINDER CONTROL BLOCK (TYPE B)	
G030.02.03	YÜKLEYİCİ KUMANDA VALFİ- ÇIKIŞ BLOĞU (TİP B)	LOADER CONTROL VALVE- OUTLET BLOCK (TYPE B)	
G030.02.04	YÜKLEYİCİ KUMANDA VALFİ- GİRİŞ BLOĞU (TİP B-PB)	LOADER CONTROL VALVE-INLET BLOCK (TYPE B-PB)	
G030.02.05	YÜKLEYİCİ KUMANDA VALFİ- KALDIRICI SİLİNDİR, KONTROL BLOĞU (TİP B)	LOADER CONTROL VALVE- LIFT CYLINDER CONTROL BLOCK (TYPE B)	
G030.02.06	YÜKLEYİCİ KUMANDA VALFİ-AÇILIR KEPÇE SİLİNDİRİ,KONTROL BLOĞU (TİP B)	LOADER CONTROL VALVE- CLAMSHOVEL RAM CONTROL BLOCK (TYPR B)	
G040.02.01	KAZICI KUMANDA VALFİ, JOYSTICK (PİSTONLU POMPA&FS&TİP B)	BACKHOE CONTROL VALVE, JOYSTICK (PISTON PUMP&FS&TYPE B)	
G040.02.02	KAZICI KUMANDA VALFİ- GİRİŞ BLOĞU (TİP B)	BACKHOE CONTROL VALVE-INLET BLOCK (TYPE B)	
G040.02.03	KAZICI KUMANDA VALFİ- ÇIKIŞ BLOĞU (TİP B)	BACKHOE CONTROL VALVE -OUTLET BLOCK (TYPE B)	
G040.02.04	KAZICI KUMANDA VALFİ ARM KONTROL BLOĞU,JY (TİP B)	BACKHOE CONTROL VALVE ARM CONTROL BLOCKS,JOYSTICK (TYPE B)	
G040.02.05	KAZICI KUMANDA VALFİ- DÖNÜŞ SİLİNDİRİ KONTROL BLOĞU, JY (TİP B)	BACKHOE CONTROL VALVE-SLEW SWING RAM CONTROL BLOCK, JOYSTICK (TYPE B)	
G040.02.06	KAZICI KUMANDA VALFİ- AYAK SİLİNDİRİ KONTROL BLOĞU, JY (TİP B)	BACKHOE CONTROL VALVE-STABILIZER RAM CONTROL BLOCK, JY (TYPE B)	
G040.02.07	KAZICI KUMANDA VALFİ- KIVIRICI SİLİNDİR KONTROL BLOĞU, JOYSTICK (TİP B)	BACKHOE CONTROL VALVE BUCKET RAM CONTROL BLOCK, JOYSTICK (TYPE B)	
G040.02.08	KAZICI KUMANDA VALFİ-BOM KONTROL BLOĞU,JY (TİP B)	BACKHOE CONTROL VALVE-BOOM CONTROL BLOCKS,JOYSTICK (TYPE B)	
G040.02.09	KAZICI KUMANDA VALFİ-TELESKOPIK KONTROL BLOĞU,JY (TİP B)	BACKHOE CONTROL VALVE-TELESCOPIC CONTROL BLOCKS,JOYSTICK (TYPE B)	
G040.03.01	KAZICI KUMANDA VALFİ, LEVYELİ (DİŞLİ POMPA & TİP B)	BACKHOE CONTROL VALVE, LEVERS (GEAR PUMP & TYPE B)	
G040.03.02	TELESKOPIK SİLİNDİR KONTROL BLOĞU, LEVYELİ (DİŞLİ POMPA & TİP B)	TELESCOPIC RAM CONTROL BLOCK, LEVERS (GEAR PUMP & TYPE B)	
G040.03.03	AYAK SİLİNDİRİ KONTROL BLOĞU, LEVYELİ (DİŞLİ POMPA & TİP B)	STABILIZER RAM CONTROL BLOCK, LEVERS (GEAR PUMP & TYPE B)	
G040.03.04	KAZICI KUMANDA VALFİ ÇIKIŞ BLOĞU, LEVYELİ (DİŞLİ POMPA & TİP B)	BACKHOE CONTROL VALVE OUTLET BLOCK, LEVERS (GEAR PUMP & TYPE B)	

**YÜKLEYİCİ KUMANDA VALFİ (LS- TİP B)**  
**LOADER CONTROL VALVE, MECHANIC (LS- TYPE B)**

No	Parça No	Parça Adı	Description	Adet	S.K.	Bas.S.N	Bit.S.N	Y.K.	Not
No	Part no			Qty	SC	S/N from	S/N to	ICA	Note
0	F1824001	ÖN KUMANDA VALF BLOĞU	CONTROL VALVE BLOCK, LOADER	1					
1	S1824141	GİRİŞ DİLİMİ	LOADER CONTROL VALVE-INLET BLOCK	1					G030.01.02
2	S1824164	BOM SİLİNDİR DİLİMİ	LIFT RAM CONTROL BLOCK	1					G030.01.03
3	S1824142	DEVİRİCİ SİLİNDİR DİLİMİ	SHOVEL RAM CONTROL BLOCK	1					G030.01.04
4	S1824135	AÇILIR KEPÇE DİLİMİ	CLAMSHOVEL RAM CONTROL BLOCK	1					G030.01.05
5	S1824115	ÇIKIŞ DİLİMİ	LOADER CONTROL VALVE-OUTLET BLOCK	1					G030.01.06

**YÜKLEYİCİ KUMANDA VALFİ- ÇIKIŞ BLOĞU (TİP B)**  
**LOADER CONTROL VALVE- OUTLET BLOCK (TYPE B)**

No	Parça No	Parça Adı	Description	Adet	S.K.	Bas.S.N	Bit.S.N	Y.K.	Not
No	Part no			Qty	SC	S/N from	S/N to	ICA	Note
0	S1824115	ÇIKIŞ DİLİMİ	LOADER CONTROL VALVE-OUTLET BLOCK	1					
1	S1824113	KİT, DIŞ BAĞLANTI	TIE ROD	3					
2	S1824114	KEÇE TAKIMI	SEAL KIT	1					

**YÜKLEYİCİ KUMANDA VALFİ- KALDIRICI SİLİNDİR, KONTROL BLOĞU (TİP B)**  
**LOADER CONTROL VALVE- LIFT CYLINDER CONTROL BLOCK (TYPE B)**

No	Parça No	Parça Adı	Adet	S.K.	Bas.S.N	Bit.S.N	Y.K.	Not
No	Part no	Description	Qty	SC	S/N from	S/N to	ICA	Note
0	S1824164	BOM SİLİNDİR DİLİMİ	1					
1	S1824114	KEÇE TAKIMI	1					
2	S1824104	ÇEK VALF	1					
3	S1824166	KEÇE TAKIMI	2					
4	S1824127	ÇEK VALF TAKIMI	1					
5	S1824128	KİT, BASINÇ KOMPENSATÖRÜ	1					
6	S1824102	TAPA	1					
7	S1824110	KİT, KUMANDA	1					
8	S1824122	KİT, MEKANİK KUMANDA	1					
9	S1824109	KÖRÜK KOMPLESİ	1					
10	S1824108	KEÇE TAKIMI	1					
11	S1824129	TAMİR TAKIMI	1					

**KAZICI KUMANDA VALFİ ARM KONTROL BLOĞU, JY (TİP B)**  
**BACKHOE CONTROL VALVE ARM CONTROL BLOCKS, JOYSTICK (TYPE B)**

No	Parça No	Parça Adı	Adet	S.K.	Bas.S.N	Bit.S.N	Y.K.	Not
No	Part no	Description	Qty	SC	S/N from	S/N to	ICA	Note
0	S1824145	DEVİRİCİ SILINDIR DİLİMİ	1					
1	S1824111	KİT, BASINÇ KOMPANSATÖRÜ	1					
2	S1824127	ÇEK VALF TAKIMI	1					
3	S1824189	KUMANDA DİLİMİ SÜRGÜ KİTİ	1					
4	S1824125	EMNİYET VALFİ	2					
5	S1824166	KEÇE TAKIMI	2					
6	S1824114	KEÇE TAKIMI	1					
7	S1824132	KEÇE TAKIMI	1					
8	S1824080	KAPAK	2					

**KAZICI KUMANDA VALFİ-TELESKOPIK KONTROL BLOĞU,JY (TİP B)**  
**BACKHOE CONTROL VALVE-TELESCOPIC CONTROL BLOCKS,JOYSTICK (TYPE B)**

No	Parça No	Parça Adı		Adet	S.K.	Bas.S.N	Bit.S.N	Y.K.	Not
No	Part no		Description	Qty	SC	S/N from	S/N to	ICA	Note
0	S1824162	TELESKOPIK SİLİNDİR DİLİMİ	TELESCOPIC RAM CONTROL BLOCK	1					
1	S1824111	KİT, BASINÇ KOMPANSATÖRÜ	PRESSURE COMPENSATOR KIT	1					
2	S1824127	ÇEK VALF TAKIMI	CHECK VALVE KIT	1					
3	S1824189	KUMANDA DİLİMİ SÜRGÜ KİTİ	HYDRAULIC OPERATION KIT	1					
4	S1824125	EMNİYET VALFİ	RELIEF VALVE	2					
5	S1824166	KEÇE TAKIMI	SEAL KIT	2					
6	S1824114	KEÇE TAKIMI	SEAL KIT	1					
7	S1824132	KEÇE TAKIMI	SEAL KIT	1					
8	S1824080	KAPAK	HALF COVER	2					

**KAZICI KUMANDA VALFİ GİRİŞ BLOĞU, LEVYELİ (DİŞLİ POMPA & TİP B)**  
**BACKHOE CONTROL VALVE INLET BLOCK, LEVERS (GEAR PUMP & TYPE B)**

No	Parça No	Parça Adı	Adet	S.K.	Bas.S.N	Bit.S.N	Y.K.	Not
No	Part no	Description	Qty	SC	S/N from	S/N to	ICA	Note
0	S1824168	GİRİŞ BLOĞU, KAZICI KUMANDA VALFİ	1					
1	S1824174	AYAR KİTİ	1					
2	S1824080	KAPAK	1					
3	S1824178	EMNİYET VALFİ	1					
4	S1824179	REGÜLATÖR KOMPLESİ, POMPA	1					
5	S1824177	FİLTRE	1					
6	S1824085	KEÇE TAKIMI	1					
7	S1824175	KEÇE TAKIMI	1					
8	S1824176	KEÇE TAKIMI	1					

**KAZICI KUMANDA VALFİ, JY (DİŞLİ POMPA & FS & TİP B)  
BACKHOE CONTROL VALVE, JOYSTICK (GEAR PUMP & FS & TYPE B)**

No	Parça No	Parça Adı	Description	Adet	S.K.	Bas.S.N	Bit.S.N	Y.K.	Not
No	Part no			Qty	SC	S/N from	S/N to	ICA	Note
0	F1824195	KAZICI KUMANDA VALFİ	BACKHOE CONTROL VALVE	1					
1	S1824144	GİRİŞ BLOĞU	INLET BLOCK, BACKHOE VALVE	1					G040.06.02
2	S1824145	DEVİRİCİ SİLİNDİR DİLİMİ	DIPPER RAM CONTROL BLOCK	1					G040.06.04
3	S1824146	DÖNÜŞ SİLİNDİRİ DİLİMİ	SLEW SWING RAM CONTROL BLOCK	1					G040.06.05
4	S1824147	AYAK SİLİNDİR DİLİMİ	STABILISER RAM CONTROL BLOCK	2					G040.06.06
5	S1824148	KEPÇE SİLİNDİRİ DİLİMİ	BUCKET RAM CONTROL BLOCK	1					G040.06.07
6	S1824149	BOM SİLİNDİR DİLİMİ	LIFT RAM CONTROL BLOCK	1					G040.06.08
7	S1824162	TELESKOPIK SİLİNDİR DİLİMİ	TELESCOPIC RAM CONTROL BLOCK	1					G040.06.09
8	S1824124	ÇIKIŞ BLOĞU, KAZICI KUMANDA VALFİ	OUTLET BLOCK, BACKHOE VALVE	1					G040.06.03

**KAZICI KUMANDA VALFİ- AYAK SİLİNDİRİ KONTROL BLOĞU, JY (TİP B)**  
**BACKHOE CONTROL VALVE-STABILIZER RAM CONTROL BLOCK, JOYSTICK (TYPE**

No	Parça No	Parça Adı	Adet	S.K.	Bas.S.N	Bit.S.N	Y.K.	Not
No	Part no	Description	Qty	SC	S/N from	S/N to	ICA	Note
0	S1824147	AYAK SİLİNDİR DİLİMİ	1					
1	S1824111	KİT, BASINÇ KOMPANSATÖRÜ	1					
2	S1824112	ÇEK VALF TAKIMI	1					
3	S1824189	KUMANDA DİLİMİ SÜRGÜ KİTİ	1					
4	S1824114	KEÇE TAKIMI	1					
5	S1824132	KEÇE TAKIMI	1					

**TELESKOPIK SİLİNDİR KONTROL BLOĞU, LEVYELİ (PİSTONLU POMPA & TİP B)  
TELESCOPIC RAM CONTROL BLOCK, LEVERS (PISTON PUMP & TYPE B)**

No	Parça No	Parça Adı	Adet	S.K.	Bas.S.N	Bit.S.N	Y.K.	Not
No	Part no	Description	Qty	SC	S/N from	S/N to	ICA	Note
0	S1824171	TELESKOPIK SİLİNDİR KONTROL BLOĞU	1					
17	S1824111	KİT, BASINÇ KOMPANSATÖRÜ	1					
18	S1824112	ÇEK VALF TAKIMI	1					
30	S1824122	KİT, MEKANİK KUMANDA	1					
36	S1824109	KÖRÜK KOMPLESİ	1					
40	S1824165	KİT, KAPAK	1					
114	S1824125	EMNİYET VALFİ	2					
124	S1824080	KAPAK	2					
129	S1824166	KEÇE TAKIMI	2					
130	S1824114	KEÇE TAKIMI	1					
140	S1824132	KEÇE TAKIMI	1					
155	S1824133	KEÇE TAKIMI	1					

**KALDIRICI SİLİNDİR KONTROL BLOĞU, LEVYELİ (PİSTONLU POMPA & TİP B)**  
**LIFT RAM CONTROL BLOCK, LEVERS (PISTON PUMP & TYPE B)**

No	Parça No	Parça Adı	Description	Adet	S.K.	Bas.S.N	Bit.S.N	Y.K.	Not
No	Part no			Qty	SC	S/N from	S/N to	ICA	Note
0	S1824170	KALDIRICI SİLİNDİR KONTROL BLOĞU	LIFT RAM CONTROL BLOCK	1					
17	S1824111	KİT, BASINÇ KOMPANSATÖRÜ	PRESSURE COMPENSATOR KIT	1					
18	S1824112	ÇEK VALF TAKIMI	CHECK VALVE KIT	1					
30	S1824122	KİT, MEKANİK KUMANDA	MECHANIC OPERATION KIT	1					
36	S1824109	KÖRÜK KOMPLESİ	BOOT ASS'Y	1					
40	S1824165	KİT, KAPAK	SPOOL RETURN OPERATION	1					
114	S1824125	EMNİYET VALFİ	RELIEF VALVE	2					
124	S1824080	KAPAK	HALF COVER	2					
129	S1824166	KEÇE TAKIMI	SEAL KIT	2					
130	S1824114	KEÇE TAKIMI	SEAL KIT	1					
146	S1824188	KEÇE TAKIMI	SEAL KIT	1					
155	S1824133	KEÇE TAKIMI	SEAL KIT	1					

**JOYSTICK KUMANDA, SAĞ (OP)**  
**REMOTE CONTROL VALVE, RH (OP)**

No	Parça No	Parça Adı	Description	Adet	S.K.	Bas.S.N	Bit.S.N	Y.K.	Not
No	Part no			Qty	SC	S/N from	S/N to	ICA	Note
0	H343200302	JOYSTİK KOMPLESİ, SAĞ	JOYSTICK ASS'Y, RH	1					
1	S1822757	CONTA	SEAL, TERMINAL	1	SOP				
2	S1822750	TOPUZ	KNOB	1	SOP				
5	S1822725	SOMUN	NUT	1	SOP				
6	S1822726	SOMUN	NUT	1	SOP				
7	S1822737	KÖRÜK	BELLOWS	1	SOP				
8	S1822739	DİSK	PLATE, CIRCULAR	1	SOP				
9	S1822727	MAFSAL	JOINT	1	SOP				
10	S1822740	KAPAK TUTUCUSU	PLATE	1	SOP				
11	S1822728	KEÇE	SEAL	4	SOP				
12	S1822724	KAPAK	PLUG	4	SOP				
13	S1822710	O-RİNG	O-RING	4	SOP				
14	S1822723	İTİCİ PİM	ROD	2	SOP				
15	S1822722	İTİCİ PİM	ROD	2	SOP				
16	S1822734	YAY TUTUCU	SEAT	2	SOP				
17	S1822733	YAY TUTUCU	SEAT	2	SOP				
18	S1822732	YAY	SPRING	3	SOP				
19	S1822731	YAY	SPRING	3	SOP				
20	S1822730	YAY	SPRING	2	SOP				
21	S1822729	YAY	SPRING	2	SOP				
22	S1822721	PUL	WASHER, 2	4	SOP				
23	S1822735	SÜRGÜ	SPOOL	4	SOP				
24	S1822745	GÖVDE	CASING	1	SOP				
25	S1822743	O-RİNG	O-RING	1	SOP				
26	S1822741	BURÇ	BUSHING	1	SOP				
27	S1822712	PİM	PIN	1	SOP				
28	S1822744	KAPAK	PLATE	1	SOP				
29	S1822720	PUL	WASHER	2	SOP				
30	S1822742	CIVATA	BOLT	2	SOP				
31	S1822738	BURÇ	BUSHING	1	SOP				
32	S1822790	KEÇE TAKIMI	SEAL KIT	1	SOP				
33	S1822758	TERMINAL	TERMINAL	2	SOP				
34	S1822755	GÖVDE	HOUSING	1	SOP				
35	S1822756	KONNEKTÖR KİLİDİ	LOCK, CONNECTOR	1	SOP				

**AÇILIR KEPÇE SİLİNDİRİ**  
**MULTIPURPOSE BUCKET CYLINDER**

No	Parça No	Parça Adı	Description	Adet	S.K.	Bas.S.N	Bit.S.N	Y.K.	Not
No	Part no			Qty	SC	S/N from	S/N to	ICA	Note
0	15420061	SİLİNDİR KOMPLESİ, AÇILIR KEPÇE	CYLINDER ASS'Y, MULTI PURPOSE BUCKET	1					
1	N107405506	TAMPON KEÇE	BUFFER SEAL	1	K2				
2	20920532	SİLİNDİR BORUSU K.K.	CYLINDER TUBE W.A.	1					
3	20700410	BURÇ, MAFSAL	BUSHING, SPHERICAL	1					
4	N050220200	SEGMAN	RETAINING RING	2					
5	N043120686	SETSKUR	PIN	1					
6	20120450	PİSTON	PISTON	1					
7	N099001060	BİLYE	BALL	1					
8	N101657056	YATAKLAMA BANDI, PİSTON	WEAR RING, PISTON	2	K1				
9	N103587000	PİSTON KEÇESİ	PISTON SEAL	1	K1				
10	N102004035	O-RİNG, PİSTON	O-RING, PISTON	1	K1				
11	S4880710	KEÇE TAKIMI, PİSTON	SEAL KIT, PISTON	1	(K1)				
12	20700400	BURÇ, MAFSAL	BUSHING, SPHERICAL	1					
13	N081210020	GRESÖRLÜK	GREASE NIPPLE	1					
14	20843110	SİLİNDİR MILİ K.K.	CYLINDER ROD W.A.	1					
15	20314070	BOĞAZ KAPAĞI	HEAD COVER	1					
16	N105404805	TOZ KEÇESİ	SEAL DUST	1	K2				
17	N104405013	TOZ KEÇESİ	SEAL, HEAD	1	K2				
18	N100404597	YATAKLAMA BANDI	GUIDE RING, HEAD	2	K2				
19	20214070	BOĞAZ, SİLİNDİR	HEAD, CYLINDER	1					
20	N102006440	O-RİNG	O-RING	1	K2				
21	S4891210	KEÇE TAKIMI, BOĞAZ	SEAL KIT, HEAD	1	(K2)				
22	N102008030	O-RİNG, BOĞAZ	O-RING, CLINDER HEAD	1	K2				
23	N102006420	O-RİNG, BOĞAZ	O-RING, CLINDER HEAD	1	K2				

**BOM SİLİNDİRİ, KAZICI  
BOOM CYLINDER, BACKHOE**

No	Parça No	Parça Adı	Adet	S.K.	Bas.S.N	Bit.S.N	Y.K.	Not
No	Part no	Description	Qty	SC	S/N from	S/N to	ICA	Note
0	15320438	SİLİNDİR KOMPLESİ, BOM	1					
1	80201362	SERT BURÇ	1					
2	80201360	SERT BURÇ	1					
3	20843401	SİLİNDİR MILİ K.K.	1					
4	20314116	BOĞAZ KAPAĞI	1					
5	N105657567	TOZ KEÇESİ	1	K1				
6	N104658063	BOĞAZ KEÇESİ	2	K1				
7	N100657097	YATAKLAMA BANDI	2	K1				
8	N102009936	O-RİNG	1	K2				
9	S4891160	KEÇE TAKIMI, BOĞAZ	1	(K1)				
10	20211540	BOĞAZ	1					
11	80702000	YAY	1					
12	80611020	YASTIKLAMA KOVANI	1					
13	80107060	YASTIKLAMA MİLİ	1					
14	N081210020	GRESÖRLÜK	2					
15	20920373	SİLİNDİR BORUSU K.K.	1					
16	N101911597	YATAKLAMA BANDI	2	K1				
17	N103991156	PİSTON KEÇESİ	1	K1				
18	N102006403	O-RİNG	1	K2				
19	S4881255	KEÇE TAKIMI, PİSTON	1	(K2)				
20	N043120710	SETSKUR	1					
21	N099001060	BİLYE	1					
22	20114115	PİSTON	1					
23	N101999965	YATAKLAMA BANDI	2	K2				
24	N102010520	O-RİNG	1	K2				
25	N102013030	O-RİNG	1	K1				

**TELESKOPIK SİLİNDİR, KAZICI (OP)**  
**TELESCOPIC CYLINDER, BACKHOE (OP)**

No	Parça No	Parça Adı	Description	Adet	S.K.	Bas.S.N	Bit.S.N	Y.K.	Not
No	Part no			Qty	SC	S/N from	S/N to	ICA	Note
0	15420160	SİLİNDİR KOMPLESİ, TELESKOPIK ARM	CYLINDER ASS'Y, TELESCOPIC ARM	1					
1	N107405506	TAMPON KEÇE	BUFFER SEAL	1	K2				
2	20920558	SİLİNDİR BORUSU K.K.	CYLINDER TUBE W.A.	1					
3	80201040	BURÇ	BUSHING	1					
4	N081210020	GRESÖRLÜK	GREASE NIPPLE	2					
5	N102004035	O-RİNG, PİSTON	O-RING, PISTON	1	K1				
6	N101657056	YATAKLAMA BANDI, PİSTON	WEAR RING, PISTON	2	K1				
7	N043120686	SETSKUR	PIN	1					
8	N099001060	BİLYE	BALL	1					
9	20120450	PİSTON	PISTON	1					
10	N103587000	PİSTON KEÇESİ	PISTON SEAL	1	K1				
11	S4880710	KEÇE TAKIMI, PİSTON	SEAL KIT, PISTON	1	(K1)				
12	20842051	SİLİNDİR MİLİ K.K.	CYLINDER ROD W.A.	1					
13	20314070	BOĞAZ KAPAĞI	HEAD COVER	1					
14	N105404805	TOZ KEÇESİ	SEAL DUST	1	K2				
15	N104405013	TOZ KEÇESİ	SEAL, HEAD	1	K2				
16	N100404597	YATAKLAMA BANDI	GUIDE RING, HEAD	2	K2				
17	20214070	BOĞAZ, SİLİNDİR	HEAD, CYLINDER	1					
18	N102006440	O-RİNG	O-RING	1	K2				
19	S4891210	KEÇE TAKIMI, BOĞAZ	SEAL KIT, HEAD	1	(K2)				
20	N102008030	O-RİNG, BOĞAZ	O-RING, CLINDER HEAD	1	K2				
21	N102006420	O-RİNG, BOĞAZ	O-RING, CLINDER HEAD	1	K2				

**TESVİYE KÜREĞİ SİLİNDİRİ (ÇİFT EKSENLİ) MERKEZ (OP)**  
**LEVELLING BLADE CYLINDER (DOUBLE AXIS) CENTER**

No	Parça No	Parça Adı	Description	Adet	S.K.	Bas.S.N	Bit.S.N	Y.K.	Not
No	Part no			Qty	SC	S/N from	S/N to	ICA	Note
0	15620050	SİLİNDİR KOMPLESİ, TESVİYE KÜREĞİ	CYLINDER ASS'Y, LEVELLING BLADE	1					
1	S4890300	KEÇE TAKIMI, BOĞAZ	SEAL KIT, HEAD	1	(K2)				
2	N050220114	SEGMAN	RETAINING RING	2					
3	20700200	BURÇ, MAFSAL	BUSHING, SPHERICAL	2					
4	N081210020	GRESÖRLÜK	GREASE NIPPLE	2					
5	20920050	SİLİNDİR BORUSU K.K.	CYLINDER TUBE W.A.	1					
6	N153430438	SETSKUR	SETSCREW	1					
7	20100500	PİSTON	PISTON	1					
8	N103345018	PİSTON KEÇESİ	SEAL, PISTON	1	K1				
9	N102003035	O-RİNG	O-RING, PISTON	1	K1				
10	S4880300	KEÇE TAKIMI, PİSTON	SEAL KIT, PISTON	1	(K1)				
11	20842020	SİLİNDİR MILİ K.K.	CYLINDER ROD W.A.	1					
12	20200700	BOĞAZ, SİLİNDİR	HEAD, CYLINDER	1					
13	N102004535	O-RİNG	O-RING	1	K2				
14	N104304009	BOĞAZ KEÇESİ	SEAL, HEAD	1	K2				
15	N105303807	TOZ KEÇESİ	SEAL DUST	1	K2				
16	N050900062	SEGMAN	RETAINING RING	1					

**BOM KİLİT SİLİNDİRİ (MAFSALLI BOM) (OP)**  
**BOOM LOCKING CYLINDER )KNUCKLE BOOM) (OP)**

No	Parça No	Parça Adı	Description	Adet	S.K.	Bas.S.N	Bit.S.N	Y.K.	Not
No	Part no			Qty	SC	S/N from	S/N to	ICA	Note
0	15820402	SİLİNDİR KOMPLESİ, BOM, KİLİT	CYLINDER ASS'Y, BOOM LOCKING	1					
1	80201572	BURÇ	BUSHING	1					
2	20920033	SİLİNDİR BORUSU K.K.	CYLINDER TUBE W.A.	1					
3	02021375	PUL	WASHER	1					
4	81040044	BURÇ	BUSHING	1					
5	N105202805	TOZ KEÇESİ	SEAL DUST	1	K1				
6	N102003203	O-RİNG	O-RING	1	K1				
7	20200615	BOĞAZ	HEAD, CYLINDER	1					
8	F9960052	ÇATAL	YOKE	1					
9	N023580266	SOMUN	NUT	1					M12
10	80706753	YAY	SPRING	1					
11	80202208	BURÇ	BUSHING	1					
12	20042007	SİLİNDİR MİLİ K.K.	CYLINDER ROD W.A.	1					

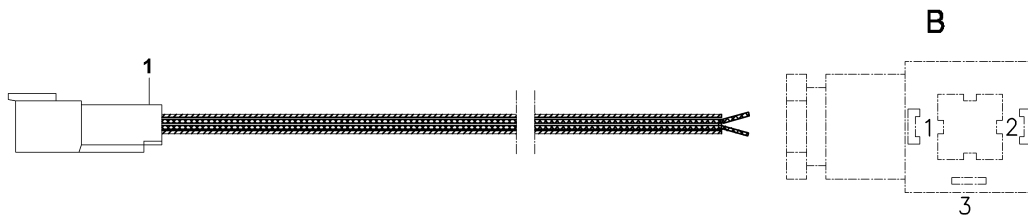
**VALF, KUMANDA DEĞİŞTİRİCİ  
VALVE, PATTERN SHIFTER**

No	Parça No	Parça Adı	Adet	S.K.	Bas.S.N	Bit.S.N	Y.K.	Not
No	Part no	Description	Qty	SC	S/N from	S/N to	ICA	Note
0	F1888050	VALF, KUMANDA DEĞİŞTİRİCİ	1					
1	S1881102	BLOK, VALF	1					
2	S1881103	SOLENOID VALF	2					
3	S1881104	BOBİN	2					
4	S1881124	SOMUN	2					

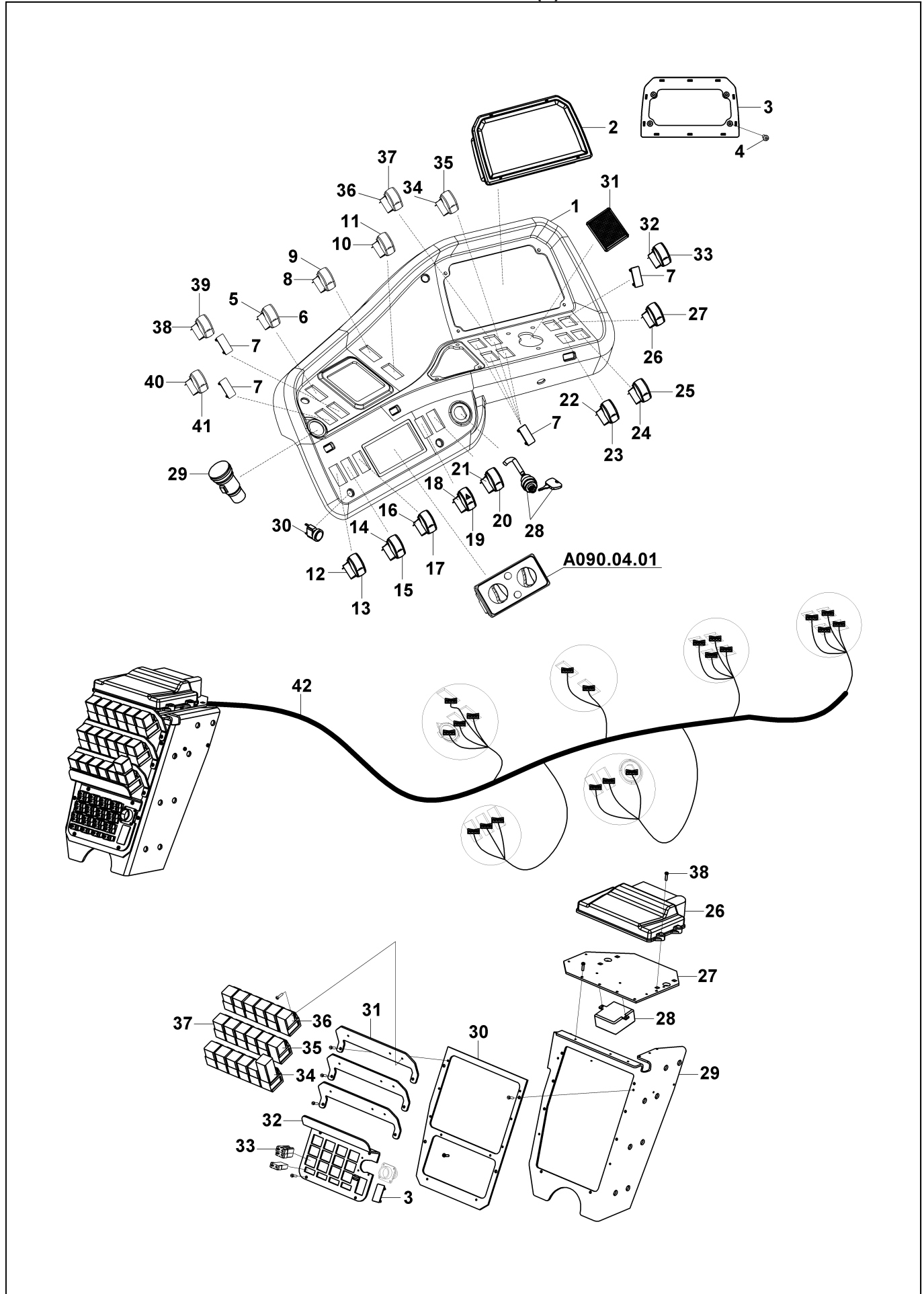
**HİDROLİK TESİSAT, FREN  
HYDRAULIC PIPING, BRAKE**

No	Parça No	Parça Adı	Description	Adet	S.K.	Bas.S.N	Bit.S.N	Y.K.	Not
No	Part no			Qty	SC	S/N from	S/N to	ICA	Note
48	N030000005	O-RİNGLİ PUL	WASHER	1					
49	80624018	NİPEL	ADAPTER	1					
51	N030810014	PUL	WASHER	2					
52	N030000004	O-RİNGLİ PUL	WASHER	1					
53	01890157	PEDAL KOMPLESİ, SAĞ	PEDAL ASS'Y, RH	1					
54	01992726	BRAKET K.K.	BRACKET W.A.	1					
55	80208022	BURÇ	BUSHING	2					
56	01890156	PEDAL KOMPLESİ, SOL	PEDAL ASS'Y, LH	1					
57	01992725	BRAKET K.K.	BRACKET W.A.	1					
58	80208022	BURÇ	BUSHING	2					
59	01992724	BRAKET K.K.	BRACKET W.A.	1					
60	01992940	PİM	PIN, PEDAL LOCK	1					
61	N030100029	PUL	WASHER	1					
62	N025900194	SOMUN	NUT	1					M16x1.5
63	81040057	TAHDİT TAKOZU	STOPPER, RUBBER	1					
64	N023570158	SOMUN	NUT	1					
65	83007030	PUL	WASHER	2					
66	80201586	BURÇ	BUSHING	1					
67	02040401	LASTİK, FREN PEDALI, SAĞ	RUBBER, BRAKE PEDAL, RH	1					
68	02040402	LASTİK, FREN PEDALI, SOL	RUBBER, BRAKE PEDAL, LH	1					
69	02021665	PİM, KİLİT	PIN, LOCKING	1					
70	80701521	YAY	SPRING	1					
71	02040404	PİM, KİLİT	PIN, LOCKING	1					
72	80702409	YAY	SPRING	2					
73	F3093505	AKÜMÜLATÖR	ACCUMULATOR	1					

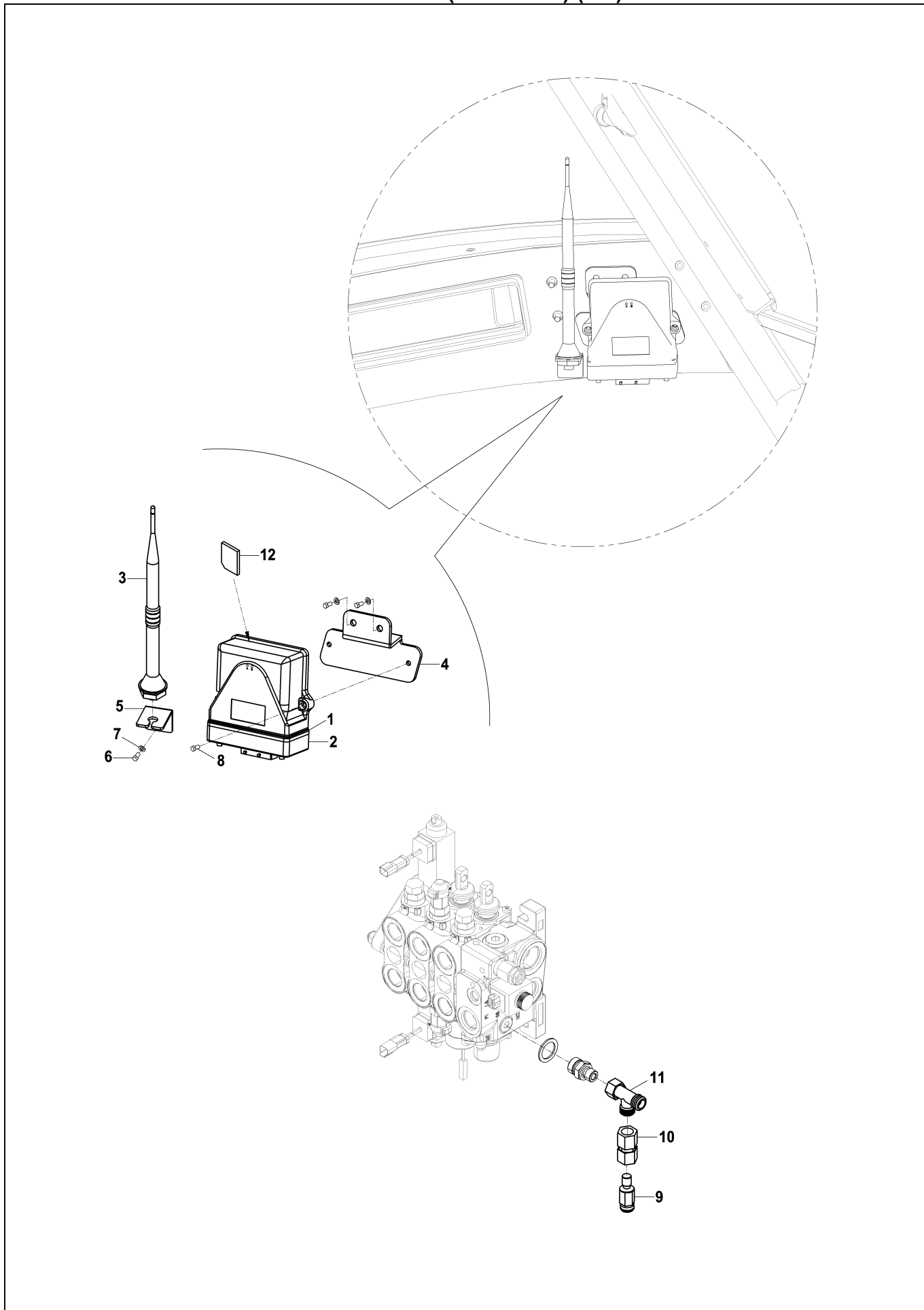
**KABİN ELEKTRİĞİ (8)**  
**CAB ELECTRIC (8)**



**KABİN ELEKTRİĞİ (1)**  
**CAB ELECTRIC (1)**



**SMARTLINK (REXROTH) (OP)**  
**SMARTLINK (REXROTH) (OP)**



**ETİKET VE LEVHALAR (2)**  
**DECAL AND PLATES (2)**

No	Parça No	Parça Adı	Description	Adet	S.K.	Bas.S.N	Bit.S.N	Y.K.	Not
No	Part no			Qty	SC	S/N from	S/N to	ICA	Note
1	40010086	ETİKET, YAĞLAMA ŞEMASI, 102B	DECAL, LUBRICATION TABLE	1					
2	Y0600250	ETİKET, BAKIM TABLOSU, 102B	DECAL, MAINTENANCE TABLE, 102B	1					
3	Y0621014	İSİM PLAKASI, MAKİNE, TR	NAME PLATE, TR	1					
4	Y0611419	ETİKET, MAKİNA BOYUTU	DECAL, DIMENSION	1					
5	Y0620200	ETİKET, HAVA FİLTRESİ UYARI, TR	DECAL, WARNING, AIR FILTER, TR	1					
6	Y0621040	ETİKET, ATAŞMAN, TR	DECAL, ATTACHMENT TYPE, TR	1					
7	Y0620500	ETİKET, ANTİFİRİZ	DECAL, ANTIFREEZE, TR	1					
8	Y0650034	ETİKET, SİGORTA-RÖLE TABLASI	DECAL, FUSE-RELAY BOARD	1					
9	Y0620223	ETİKET, YAKIT UYARI	DECAL,WARNING, FUEL	1					
10	N130010090	PERÇİN	BLIND RIVET	2					
11	N130020295	PERÇİN	BLIND RIVET	4					
12	Y0611490	ETİKET, DÖNÜŞ KİLİT PİMİ	DECAL, BOOM SWING LOCK PIN	1					
13	H347008800	ETİKET, ÇAĞRI MERKEZİ	DECAL, CALL CENTER	1					
14	Y0620510	ETİKET, ŞANZİMAN YAĞ SEVİYESİ, TR.	DECAL, TRANSMISSION OIL LEVEL, TR	1					
15	Y0611705	ETİKET, 7500 SAAT GARANTİ	DECAL, 7500 GUARANTY	1					
16	Y0696426	ETİKET, SICAK YÜZEY, BG.	DECAL, HOT SURFACE, BG.	2					

**ETİKET VE LEVHALAR (2)**  
**DECAL AND PLATES (2)**

No	Parça No	Parça Adı	Description	Adet	S.K.	Bas.S.N	Bit.S.N	Y.K.	Not
No	Part no			Qty	SC	S/N from	S/N to	ICA	Note
1	40050221	ETİKET, YAĞLAMA ŞEMASI, 102B, PT.	DECAL, LUBRICATION TABLE, PT.	1					
2	Y0650180	ETİKET, BAKIM TABLOSU, 102B, PT.	DECAL, MAINTENANCE TABLE, 102B, PT.	1					
3	Y0650006	İSİM PLAKASI, MAKİNE, PO.	NAME PLATE, POR.	1					
4	Y0611419	ETİKET, MAKİNA BOYUTU	DECAL, DIMENSION	1					
5	Y0650542	ETİKET, HAVA FİLTRESİ UYARI, POR.	DECAL, WARNING, AIR FILTER, POR.	1					
6	Y0650117	ETİKET, ATAŞMAN, POR.	DECAL, ATTACHMENT TYPE, POR.	1					
7	Y0650437	ETİKET, ANTİFİRİZ, POR.	DECAL, ANTIFREEZE, POR.	1					
8	Y0650583	ETİKET, SİGORTA-RÖLE TABLASI, PT.	DECAL, FUSE-RELAY BOARD, PT.	1					
9	Y0650253	ETİKET, YAKIT UYARI, PT.	DECAL, WARNING, FUEL, PT.	1					
10	Y0650435	ETİKET, ANTİFİRİZ, POR.	DECAL, ANTIFREEZE, PO.	1					
11	N130010090	PERÇİN	BLIND RIVET	2					
12	N130020295	PERÇİN	BLIND RIVET	4					
13	Y0650585	ETİKET, DÖNÜŞ KİLİT PİMİ	DECAL, BOOM SWING LOCK PIN	1					
14	Y0650176	ETİKET, ŞANZİMAN YAĞ SEVİYESİ, POR.	DECAL, TRANSMISSION OIL LEVEL, POR.	1					
15	Y0696426	ETİKET, SICAK YÜZEY, BG.	DECAL, HOT SURFACE, BG.	2					

**MOTOR (1204E-E44TA)  
ENGINE (1204E-E44TA)**

No	Parça No	Parça Adı	Adet	S.K.	Bas.S.N	Bit.S.N	Y.K.	Not
No	Part no	Description	Qty	SC	S/N from	S/N to	ICA	Note
1	F0123088	MOTOR	1					
		ENGINE						

## KÜLBÜTÖR MİLİ KOMPLESİ ROCKER SHAFT ASSEMBLY

No	Parça No	Parça Adı	Description	Adet	S.K.	Bas.S.N	Bit.S.N	Y.K.	Not
No	Part no			Qty	SC	S/N from	S/N to	ICA	Note
1	S0120047	KÜLBÜTÖR MİLİ KOMPLESİ	ROCKER SHAFT ASSEMBLY	1					
2	S0120048	KÜLBÜTÖR MİLİ KOMPLESİ	ROCKER SHAFT ASSEMBLY	1					
4	S0120049	TAPA	PLUG	2					
5	S0120050	YAY	ROCKER SHAFT SPRING	1					
6	S0120051	YAY	ROCKER SHAFT SPRING	3					
7	S0120052	SEGMAN	CIRCLIP	4					
8	F0123130	CIVATA	BOLT	1					
9	S0120053	CIVATA	BOLT	7					
10	S0120054	KÜLBÜTÖR KOLU KOMPLESİ	ROCKER ARM ASSEMBLY	4					
12	S0120055	KÖPRÜ	BRIDGE PIECE	1					
13	S0120056	KILAVUZ	GUIDE	1					
15	S0120057	KÜLBÜTÖR KOLU KOMPLESİ	ROCKER ARM ASSEMBLY	4					
17	S0120058	CIVATA	ROCKER ARM INSERT	1					
18	S0120056	KILAVUZ	GUIDE	1					
20	S0120055	KÖPRÜ	BRIDGE PIECE	4					
21	S0120061	BİLEZİK	VALVE COLLET	8					
22	S0120062	SEGMAN	RETAINER	8					
23	S0120063	YAY	VALVE SPRING	8					
24	S0120064	KEÇE, SUBAP	SEAL-VALVE STEM	8					
25	S0120065	SUPAP, EMME	INTAKE VALVE	8					
26	S0120055	KÖPRÜ	BRIDGE PIECE	4					
27	S0120061	BİLEZİK	VALVE COLLET	8					
28	S0120062	SEGMAN	RETAINER	8					
29	S0120069	YAY	VALVE SPRING	8					
30	S0120064	KEÇE, SUBAP	SEAL-VALVE STEM	8					
31	S0120071	SUPAP, EGZOZ	EXHAUST VALVE	8					
32	S0120072	SEGMAN	RETAINER	1					

**KISA MOTOR  
SHORT ENGINE**

No	Parça No	Parça Adı	Adet	S.K.	Bas.S.N	Bit.S.N	Y.K.	Not
No	Part no	Description	Qty	SC	S/N from	S/N to	ICA	Note
1	S0120076	KISA MOTOR KOMPLESİ	1					
		SHORT ENGINE-ASSEMBLY						

**BOŞALTMA TAPASI  
DRAIN TAP**

No	Parça No	Parça Adı	Adet	S.K.	Bas.S.N	Bit.S.N	Y.K.	Not
No	Part no	Description	Qty	SC	S/N from	S/N to	ICA	Note
1	F0132126	TAPA	2					
2	S0120407	O-RİNG	2					

**YAĞ KARTERİ  
SUMP**

No	Parça No	Parça Adı	Description	Adet	S.K.	Bas.S.N	Bit.S.N	Y.K.	Not
No	Part no			Qty	SC	S/N from	S/N to	ICA	Note
1	S0120210	YAĞ KARTERİ	SUMP	1					
2	S0120211	CONTA	GASKET-SUMP	1					
3	S0120212	KÖPRÜ	BRIDGE PIECE	1					
4	F0123134	CIVATA	BOLT	2					
5	S0120140	CIVATA	SCREW	2					
6	F0123121	CIVATA	SCREW	18					

**YAĞ FİLTRESİ  
OIL FILTER**

No	Parça No	Parça Adı	Adet	S.K.	Bas.S.N	Bit.S.N	Y.K.	Not
No	Part no	Description	Qty	SC	S/N from	S/N to	ICA	Note
1	F2826500	FİLTRE, MOTOR YAĞ	1					
2	S0120232	TAPA	1					

**FAN UZATMA ARA PARÇASI  
FAN EXTENSION**

No	Parça No	Parça Adı	Adet	S.K.	Bas.S.N	Bit.S.N	Y.K.	Not
No	Part no	Description	Qty	SC	S/N from	S/N to	ICA	Note
1	S0120256	ARA PARÇA	1					
2	S0120257	SAPLAMA	4					
3	F0123130	CIVATA	4					

**ENJEKTÖR KOMPLESİ  
INJECTOR ASSEMBLY**

No	Parça No	Parça Adı	Adet	S.K.	Bas.S.N	Bit.S.N	Y.K.	Not
No	Part no	Description	Qty	SC	S/N from	S/N to	ICA	Note
1	S0120126	ENJEKTÖR KOMPLESİ	4					
3	S0120127	O-RİNG	1					
4	S0120128	PUL	1					
5	S0120129	KELEPÇE	4					
6	S0120130	CIVATA	4					
7	S0120131	TOZLUK	4					

**ALTERNATÖR  
ALTERNATOR**

No	Parça No	Parça Adı	Adet	S.K.	Bas.S.N	Bit.S.N	Y.K.	Not
No	Part no	Description	Qty	SC	S/N from	S/N to	ICA	Note
1	S0120258	ALTERNATÖR	1					
2	S0120259	CIVATA	4					
3	S0120260	BRAKET	1					
5	S0120261	KAMA	2					
6	F0123133	CIVATA	4					

**SOĞUK ÇALIŞTIRMA SİSTEMİ  
COLD START SYSTEM**

No	Parça No	Parça Adı	Adet	S.K.	Bas.S.N	Bit.S.N	Y.K.	Not
No	Part no	Description	Qty	SC	S/N from	S/N to	ICA	Note
1	S0120393	ÇUBUK	1					
2	S0120394	KIZDIRMA BUJİSİ	4					
3	S0120395	KORUMA SACI	1					
4	S0120396	SOMUN	1					
5	S0120397	CIVATA	1					
6	S0120398	KAPAK	1					

**TURBOŞARJ  
TURBOCHARGER**

No	Parça No	Parça Adı	Adet	S.K.	Bas.S.N	Bit.S.N	Y.K.	Not
No	Part no	Description	Qty	SC	S/N from	S/N to	ICA	Note
1	S0120284	TURBOŞARJ	1					
2	S0120285	CONTA	1					
3	F0123150	SAPLAMA	4					
4	F0118029	SOMUN	4					

**Nox İNDİRGEME SİSTEMİ**  
**Nox REDUCTION SYSTEM**

No	Parça No	Parça Adı	Adet	S.K.	Bas.S.N	Bit.S.N	Y.K.	Not
No	Part no	Description	Qty	SC	S/N from	S/N to	ICA	Note
1	S0120331	SOĞUTUCU	1					
3	F0132710	TAPA	1					
4	F0124142	O-RİNG	1					
5	F0117996	CIVATA	3					
6	F0132710	TAPA	1					
7	F0124142	O-RİNG	1					
8	S0120313	HORTUM, SOĞUTUCU	1					
10	S0120332	CONTA	1					
11	S0120332	CONTA	1					
12	F0117985	CIVATA	2					
13	F0117985	CIVATA	2					
14	S0120334	HORTUM, HAVA	1					
16	S0120335	CONTA	1					
17	S0120335	CONTA	1					
18	S0120337	CIVATA	2					
19	S0120337	CIVATA	2					
20	S0120339	HORTUM, SOĞUTUCU	1					
22	S0120332	CONTA	1					
23	S0120332	CONTA	1					
24	F0117985	CIVATA	2					
25	F0117985	CIVATA	2					
26	S0120342	HORTUM, HAVA	1					
28	S0120343	CONTA	1					
29	S0120344	CONTA	1					
30	S0120345	CIVATA	2					
31	F0117985	CIVATA	2					
32	F0123121	CIVATA	1					

# INDEX

Parça No	Sayfa No	No
Part no	Page No	No
20843220	G110.00.01	12
20843250	G150.00.01	3
20843260	G130.00.01	13
20843260	G140.00.01	13
20843300	G180.00.01	13
20843300	G180.01.01	13
20843310	G170.00.01	13
20843310	G170.00.01	13
20843310	G265.02.01	13
20843401	G160.00.01	3
20920031	G260.00.01	1
20920033	G260.01.01	2
20920045	G200.00.01	10
20920050	G220.00.03	5
20920171	G170.00.01	4
20920175	G265.02.01	4
20920176	G170.00.01	4
20920358	G265.01.01	4
20920373	G160.00.01	15
20920532	G120.00.01	2
20920534	G120.00.01	2
20920558	G190.00.01	2
20920561	G230.00.01	3
20920577	G240.00.01	2
20920583	G130.00.01	4
20920588	G140.00.01	4
20920910	G250.00.01	1
20921017	G110.00.01	3
20921027	G100.00.01	3
20921060	G220.00.02	4
20921070	G220.00.01	4
20921150	G080.00.01	3
20921162	G210.00.01	19
20921212	G180.01.01	4
20921223	G180.00.01	4
20921400	G150.00.01	17
40010086	Y020.08.01	1
40050014	Y020.64.01	1
40050042	Y020.28.01	1
40050056	Y020.19.01	1
40050077	Y020.39.01	1
40050102	Y020.47.01	5
40050221	Y020.56.01	1
45151515	G200.00.01	6
45151516	G200.00.01	2
45151701	F100.01.01	19
45151714	F100.01.01	15
45151760	F100.01.01	12
45151761	F100.01.01	20
45200275	D040.04.01	14
45210287	F050.26.01	36
45210287	F050.26.01	36
45210287	F050.26.01	36
45210306	F050.30.01	36
45250101	F050.26.01	86
45250101	F140.04.01	34
45250101	F160.04.01	51
45250111	F140.04.01	28
45250163	F110.02.01	10
45250559	F050.26.01	65
45250559	F050.26.01	65
45250559	F050.26.01	65

Parça No	Sayfa No	No
Part no	Page No	No
45250559	F050.30.01	57
45250649	F070.07.01	40
45250649	F070.16.01	40
45250659	F070.07.01	39
45250659	F070.16.01	39
45250813	D020.00.01	12
45250813	D020.01.01	12
45250813	D020.02.01	25
45250813	D020.03.01	12
45250813	D020.04.01	12
45251251	F070.09.01	4
45251447	F090.04.01	7
45251463	F090.04.01	6
45251466	F090.04.01	8
45251565	F070.05.01	29
45251565	F070.07.01	35
45251565	F070.15.01	29
45251565	F070.16.01	35
45251570	F070.05.01	1
45251570	F070.07.01	1
45251570	F070.15.01	1
45251570	F070.16.01	1
45251610	F120.01.01	9
45251615	F130.01.01	6
45251653	F150.08.01	1
45251670	F140.02.01	21
45251670	F140.04.01	36
45251671	F140.02.01	20
45251671	F140.04.01	35
45251674	F070.07.01	44
45251674	F070.16.01	44
45251676	F150.08.01	2
45251679	F140.02.01	28
45251679	F140.04.01	33
45251684	F070.05.01	17
45251684	F070.07.01	17
45251684	F070.15.01	17
45251684	F070.16.01	17
45251688	F070.07.01	45
45251688	F070.16.01	45
45251689	F070.05.01	15
45251689	F070.07.01	15
45251689	F070.15.01	15
45251689	F070.16.01	15
45251691	F070.05.01	18
45251691	F070.07.01	18
45251691	F070.15.01	18
45251691	F070.16.01	18
45251692	F160.04.01	35
45251692	F160.05.01	36
45251693	F160.04.01	34
45251693	F160.05.01	35
45251694	F070.05.01	16
45251694	F070.07.01	16
45251694	F070.15.01	16
45251694	F070.16.01	16
45251697	F160.04.01	20
45251697	F160.05.01	20
45251698	F160.04.01	26
45251698	F160.05.01	27
45251699	F160.04.01	25
45251699	F160.05.01	26

Parça No	Sayfa No	No
Part no	Page No	No
45251775	F070.09.01	2
45251781	F070.05.01	28
45251781	F070.07.01	28
45251781	F070.15.01	28
45251781	F070.16.01	28
45251785	F070.08.01	1
45251786	F070.08.01	2
45290649	F190.02.01	11
50103015	K020.14.01	4
50106425	K020.14.01	5
50106450	K020.14.01	10
50106605	K020.14.01	8
50106627	K020.14.01	16
50106711	K020.14.01	9
50107000	K010.00.08	1
50107001	D040.04.01	45
50107002	D050.01.01	47
50107002	D050.02.01	1
50607000	D010.01.02	7
50607000	E070.00.01	17
50607000	K020.14.01	6E
50607001	D010.01.02	16
50607001	K020.14.01	6B
50633202	F020.07.01	32
50633202	F020.09.01	32
50633202	F020.10.01	32
50633202	F020.11.01	32
50633203	F020.07.01	43
50633203	F020.09.01	46
50633203	F020.10.01	47
50633203	F020.11.01	45
50633204	F020.07.01	48
50633204	F020.09.01	47
50633204	F020.10.01	48
50633204	F020.11.01	46
50903000	D010.01.02	17
50903000	E070.00.01	18
50903000	K020.14.01	6C
51011700	A080.03.01	16
51011700	A090.04.01	6
51011700	J010.04.01	31
51011700	J010.07.01	31
51011700	K010.06.02	27
51011700	K020.14.01	11
51012200	B070.01.01	23
51012200	F070.05.01	32
51012200	F070.07.01	31
51012200	F070.15.01	32
51012200	F070.16.01	31
51012200	F090.04.01	9
51012200	F120.06.01	7
51012200	H010.08.01	20
51520001	A090.04.01	48
52006500	K010.07.01	24
52008115	K010.07.01	28
52020000	D050.02.01	3
52020000	F065.01.01	15
52020000	F200.00.01	21
52020000	F200.02.01	4
52020000	F200.03.01	4
52020000	K010.07.01	10
52020000	K010.07.01	20

# INDEX

Parça No	Sayfa No	No
Part no	Page No	No
F0340106	E060.01.06	9
F0340106	E060.02.06	9
F0340109	E060.01.06	11
F0340109	E060.02.06	11
F0340110	E060.01.06	12
F0340110	E060.02.06	12
F0340111	E060.01.06	13
F0340111	E060.02.06	13
F0340112	E060.01.06	19
F0340112	E060.02.06	19
F0340113	E060.01.06	20
F0340113	E060.02.06	20
F0340114	E060.01.06	21
F0340114	E060.02.06	21
F0340115	E060.01.06	22
F0340115	E060.02.06	22
F0340116	E060.02.06	23
F0340117	E060.01.07	1
F0340117	E060.02.07	1
F0340118	E060.01.07	2
F0340118	E060.01.09	1
F0340118	E060.01.10	2
F0340118	E060.02.07	2
F0340118	E060.02.09	1
F0340118	E060.02.10	2
F0340119	E060.01.07	2
F0340119	E060.01.09	1
F0340119	E060.01.10	2
F0340119	E060.02.07	2
F0340119	E060.02.09	1
F0340119	E060.02.10	2
F0340120	E060.01.07	3
F0340120	E060.01.08	3
F0340120	E060.01.12	15
F0340120	E060.02.07	3
F0340120	E060.02.08	3
F0340120	E060.02.12	15
F0340121	E060.01.07	4
F0340121	E060.01.08	2
F0340121	E060.01.12	14
F0340121	E060.02.07	4
F0340121	E060.02.08	2
F0340121	E060.02.12	14
F0340122	E060.01.07	5
F0340122	E060.02.07	5
F0340123	E060.01.07	6
F0340123	E060.01.08	5
F0340123	E060.01.12	16
F0340123	E060.02.07	6
F0340123	E060.02.08	5
F0340123	E060.02.12	16
F0340124	E060.01.07	7
F0340124	E060.02.07	7
F0340125	E060.01.07	8
F0340125	E060.01.08	7
F0340125	E060.01.12	19
F0340125	E060.02.07	8
F0340125	E060.02.08	7
F0340125	E060.02.12	19
F0340126	E060.01.07	9
F0340126	E060.02.07	9
F0340127	E060.01.07	10

Parça No	Sayfa No	No
Part no	Page No	No
F0340127	E060.01.08	9
F0340127	E060.01.09	8
F0340127	E060.01.10	16
F0340127	E060.01.12	10
F0340127	E060.02.07	10
F0340127	E060.02.08	9
F0340127	E060.02.09	8
F0340127	E060.02.10	16
F0340127	E060.02.12	10
F0340128	E060.01.07	11
F0340128	E060.02.07	11
F0340129	E060.01.07	12
F0340129	E060.01.08	11
F0340129	E060.01.09	10
F0340129	E060.01.10	9
F0340129	E060.01.12	12
F0340129	E060.02.07	12
F0340129	E060.02.08	11
F0340129	E060.02.09	10
F0340129	E060.02.10	9
F0340129	E060.02.12	12
F0340130	E060.01.07	13
F0340130	E060.02.07	13
F0340131	E060.01.07	14
F0340131	E060.02.07	14
F0340132	E060.01.07	15
F0340132	E060.02.07	15
F0340133	E060.01.07	16
F0340133	E060.01.09	4
F0340133	E060.01.10	11
F0340133	E060.01.12	7
F0340133	E060.02.07	16
F0340133	E060.02.09	4
F0340133	E060.02.10	11
F0340133	E060.02.12	7
F0340134	E060.01.07	17
F0340134	E060.01.09	6
F0340134	E060.01.10	12
F0340134	E060.01.12	6
F0340134	E060.02.07	17
F0340134	E060.02.09	6
F0340134	E060.02.10	12
F0340134	E060.02.12	6
F0340135	E060.01.07	18
F0340135	E060.01.09	5
F0340135	E060.01.10	10
F0340135	E060.01.12	8
F0340135	E060.02.07	18
F0340135	E060.02.09	5
F0340135	E060.02.10	10
F0340135	E060.02.12	8
F0340136	E060.01.08	1
F0340136	E060.02.08	1
F0340137	E060.01.08	1
F0340137	E060.02.08	0
F0340137	E060.02.08	1
F0340139	E060.01.09	0
F0340139	E060.02.09	0
F0340140	E060.01.08	4
F0340140	E060.01.09	11
F0340140	E060.01.12	13
F0340140	E060.02.08	4

Parça No	Sayfa No	No
Part no	Page No	No
F0340140	E060.02.09	11
F0340140	E060.02.12	13
F0340141	E060.02.08	6
F0340143	E060.01.08	8
F0340143	E060.01.09	7
F0340143	E060.01.10	15
F0340143	E060.01.12	9
F0340143	E060.02.08	8
F0340143	E060.02.09	7
F0340143	E060.02.10	15
F0340143	E060.02.12	9
F0340144	E060.01.08	10
F0340144	E060.01.09	9
F0340144	E060.01.10	8
F0340144	E060.01.12	11
F0340144	E060.02.08	10
F0340144	E060.02.09	9
F0340144	E060.02.10	8
F0340144	E060.02.12	11
F0340145	E060.01.08	12
F0340145	E060.02.08	12
F0340146	E060.01.08	13
F0340146	E060.02.08	13
F0340147	E060.01.08	14
F0340147	E060.02.08	14
F0340148	E060.01.08	15
F0340148	E060.02.08	15
F0340149	E060.01.08	16
F0340149	E060.02.08	16
F0340150	E060.01.08	17
F0340150	E060.02.08	17
F0340151	E060.01.08	18
F0340151	E060.02.08	18
F0340152	E060.01.08	19
F0340152	E060.01.12	1
F0340152	E060.02.08	19
F0340152	E060.02.12	1
F0340153	E060.01.08	19
F0340153	E060.01.12	1
F0340153	E060.02.08	19
F0340153	E060.02.12	1
F0340154	E060.01.08	20
F0340154	E060.02.08	20
F0340155	E060.01.08	21
F0340155	E060.02.08	21
F0340156	E060.01.08	22
F0340156	E060.02.08	22
F0340157	E060.01.08	23
F0340157	E060.02.08	23
F0340158	E060.01.08	24
F0340158	E060.02.08	24
F0340159	E060.01.08	25
F0340159	E060.02.08	25
F0340160	E060.01.09	2
F0340160	E060.02.09	2
F0340161	E060.01.09	3
F0340161	E060.01.10	13
F0340161	E060.01.12	5
F0340161	E060.02.09	3
F0340161	E060.02.10	13
F0340161	E060.02.12	5
F0340169	E060.01.09	12

# INDEX

Parça No	Sayfa No	No
Part no	Page No	No
N041672455	C030.01.01	56
N043120660	F040.02.01	10
N043120663	F040.03.01	4
N043120664	B080.03.01	48
N043120686	F030.06.01	86
N043120686	G100.00.01	5
N043120686	G110.00.01	5
N043120686	G120.00.01	5
N043120686	G120.00.01	5
N043120686	G130.00.01	12
N043120686	G140.00.01	12
N043120686	G190.00.01	7
N043120686	G210.00.01	15
N043120686	G230.00.01	4
N043120686	G240.00.01	6
N043120698	G080.00.01	6
N043120710	G150.00.01	25
N043120710	G160.00.01	20
N043120710	G170.00.01	6
N043120710	G170.00.01	6
N043120710	G180.00.01	7
N043120710	G180.01.01	7
N043120710	G265.01.01	6
N043120710	G265.02.01	6
N043120794	F030.06.01	19
N043121020	D090.02.01	8
N043421274	C020.01.01	9
N043421274	C030.01.01	9
N043700568	K010.01.02	4
N043701346	C060.01.01	2
N044061070	F030.06.01	46
N044320362	C110.01.01	22
N044320362	C120.01.01	11
N044320362	K010.02.07	9
N044320386	C050.02.01	20
N044320386	C060.03.01	4
N044320470	B040.00.01	5
N044320520	F030.06.01	48
N044321262	D070.00.01	18
N044321274	D040.01.01	9
N044321274	D040.03.01	9
N044330230	F040.03.01	2
N044330230	F040.04.01	3
N044330506	C050.02.01	22
N044330506	F040.02.01	11
N044331118	D020.00.01	38
N044331118	D020.01.01	38
N044331118	D020.02.01	37
N044331118	D020.03.01	38
N044331118	D020.04.01	38
N044331274	D040.00.01	9
N044331274	D040.01.01	11
N044331274	D040.02.01	9
N044331274	D040.03.01	11
N049560840	K010.02.06	3
N049560846	C060.01.01	7
N049560847	B100.04.01	14
N049561282	K010.01.02	7
N049561286	C050.02.01	13
N049561286	C130.01.01	32
N049601862	B100.04.01	7
N049602042	A080.03.01	15

Parça No	Sayfa No	No
Part no	Page No	No
N049602042	A090.04.01	16
N049602042	C050.02.01	11
N049602042	C060.03.01	11
N049602042	C070.01.01	10
N049602042	C080.01.01	11
N049602042	C080.01.01	17
N049602042	C080.01.01	19
N049602042	C090.01.01	10
N049602042	C090.01.01	28
N049602042	C090.01.01	29
N049602042	C090.01.01	35
N049602042	C090.01.01	37
N049602042	C090.01.01	41
N049602042	C110.01.01	14
N049602042	C120.01.01	3
N049602042	C120.01.01	20
N049602042	C140.02.01	8
N049602042	C140.03.01	8
N050020011	C130.01.01	29
N050020015	C130.01.01	21
N050020019	B070.01.01	30
N050020019	F050.26.01	23
N050020019	F050.26.01	23
N050020019	F050.26.01	23
N050020019	F050.30.01	22
N050020019	F070.05.01	51
N050020019	F070.07.01	58
N050020019	F070.15.01	51
N050020019	F070.16.01	59
N050020019	F160.04.01	59
N050020019	F160.05.01	49
N050020019	F200.02.01	21
N050020019	F200.03.01	21
N050020035	C130.01.01	7
N050020035	F010.01.01	31
N050020035	F030.06.01	81
N050020076	D040.04.01	7
N050020090	D010.01.01	17
N050020090	D010.01.01	40
N050020090	D160.00.01	23
N050020090	D160.01.01	23
N050020090	D160.02.01	23
N050020104	D010.01.01	36
N050020104	D080.00.01	12
N050220071	D160.00.01	25
N050220071	D160.01.01	25
N050220071	D160.02.01	25
N050220083	C130.01.01	15
N050220112	C130.01.01	11
N050220114	G220.00.03	2
N050220200	G120.00.01	4
N050220200	G120.00.01	4
N050220200	G130.00.01	2
N050220200	G140.00.01	2
N050220200	G220.00.01	2
N050220200	G220.00.02	2
N050220200	G230.00.01	2
N050220200	G240.00.01	4
N050220200	G250.00.01	12
N050220203	D050.01.01	31
N050220203	D050.02.01	31
N050221220	G200.00.01	12

Parça No	Sayfa No	No
Part no	Page No	No
N050760003	C110.01.01	28
N050760003	C120.01.01	25
N050760018	D010.01.01	3
N050760018	D010.01.01	42
N050760018	D010.01.03	12
N050900062	G220.00.03	16
N051350050	G265.01.01	3
N061002015	B070.01.01	9
N061002525	D040.04.01	37
N061005100	G220.00.01	5
N061005100	G220.00.02	5
N061005100	G250.00.01	3
N061006040	D140.00.01	5
N061008070	D060.00.01	9
N061008070	D060.01.01	2
N061008070	D060.02.01	3
N063004064	D160.00.01	29
N063004064	D160.01.01	29
N063004064	D160.02.01	27
N063006042	B020.00.01	24
N063006042	B040.00.01	7
N063006042	D010.01.03	18
N063006042	D060.00.01	14
N063006042	D060.01.01	12
N063006042	D060.02.01	14
N063006042	D090.02.01	10
N063006042	D140.00.01	3
N063006097	D060.01.01	6
N063006097	D060.02.01	7
N072014503	F200.03.01	26
N072016003	D010.01.02	13
N072016003	F070.07.01	42
N072016003	F070.16.01	42
N072017203	F140.04.01	27
N072020503	F130.00.01	10
N072020503	F140.04.01	25
N072022000	D150.06.01	23
N072023503	F120.06.01	3
N072023503	F130.00.01	13
N072023503	F140.04.01	3
N072025001	F130.00.01	12
N072027512	F150.03.01	16
N072027512	F150.03.01	22
N072027512	F150.05.01	16
N072027512	F150.05.01	22
N072027512	F150.08.01	41
N072027513	F150.03.01	17
N072027513	F150.03.01	23
N072027513	F150.05.01	17
N072027513	F150.05.01	23
N072027513	F150.08.01	42
N072130040	F080.00.01	3
N072130040	F080.01.01	1
N072130095	J010.04.01	15
N072130095	J010.07.01	15
N072130096	J010.04.01	16
N072130096	J010.07.01	16
N072130133	F080.00.01	19
N072130133	F080.01.01	8
N072130137	F080.00.01	20
N072130139	F080.00.01	22
N072130139	F080.00.01	30

CLICK HERE TO **DOWNLOAD** THE COMPLETE MANUAL

- Thank you very much for reading the preview of the manual.
- You can download the complete manual from: [www.heydownloads.com](http://www.heydownloads.com) by clicking the link below



- Please note: If there is no response to CLICKING the link, please download this PDF first and then click on it.

CLICK HERE TO **DOWNLOAD** THE COMPLETE MANUAL