

# Shop Manual



**KOMATSU HYDRAULIC BREAKER**

Serial numbers

**JMHB670V-1**

50001~



This shop manual is for a hydraulic breaker.  
For the operation of excavators, please refer to  
the shop manual for the excavator being used.

**NOT RESPECTING THESE RECOMMENDATIONS  
RULES CAN CAUSE DAMAGES OR CORPOREAL  
ACCIDENTS FOR WHICH THE CONSTRUCTOR  
"KOMATSU" WILL NOT BE RESPONSIBLE.**

**KOMATSU**

BM101029534-06

CLICK HERE TO **DOWNLOAD** THE COMPLETE MANUAL

- Thank you very much for reading the preview of the manual.
- You can download the complete manual from: [www.heydownloads.com](http://www.heydownloads.com) by clicking the link below



- Please note: If there is no response to CLICKING the link, please download this PDF first and then click on it.

CLICK HERE TO **DOWNLOAD** THE COMPLETE MANUAL

## Handling of hydraulic equipment

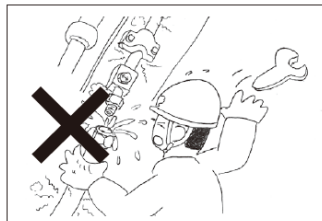
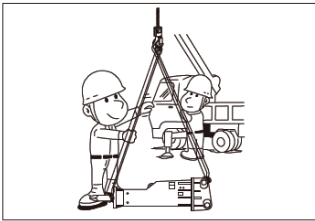
- With the increase in pressure and precision of the hydraulic components, the most common cause of a failure is dirt (foreign material) in the hydraulic circuit. Therefore, special care must be taken when adding hydraulic oil, or when disassembling or assembling the hydraulic components.

### Be careful of working environment

- Avoid adding hydraulic oil, replacing filters, or repairing the machine in rain or high winds, or at places where there is a lot of dust.

### Disassembly and maintenance work in the field

- When disassembly or maintenance work of the hydraulic is performed in the field, there is danger of dust entering the components. It is also difficult to check the performance of the components after repairs, so it is desirable to use the component exchange service. The disassembly and assembly of the hydraulic components must be performed in the specially arranged dust proof workshop and the performance test of the components must be performed with the special testing equipment.



### Sealing of opening (prevention of flowing out of oil)

- Plug the openings of the piping and the device which have been removed to prevent foreign material from entering and oil from flowing out.

#### NOTICE

Do not expose or stuff the openings, otherwise foreign material may enter or leaked oil may pollute the environment.

Do not discard the oil inconsiderately. Ask the customer for disposal or bring it back to dispose it appropriately.

#### REMARK

Cover openings tightly with caps, tapes, or plastic bags if it is hard to provide the plugs.

### Preventing intrusion of foreign materials during refilling operations

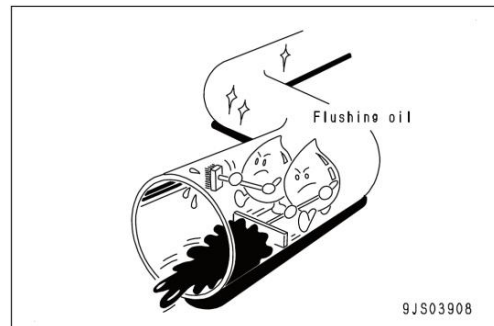
- Care must be taken when adding hydraulic oil so that foreign material does not enter. Keep the oil filler port and the area around it, oil supply pump and oil container clean. If an oil cleaning device is used, it is possible to remove the dirt that is collected during storage. It is a preferred means of cleaning.

### Replacing hydraulic oil while its temperature is high

- When the hydraulic oil is warm, it flows easily. In addition, sludge can also be drained from the circuit together with the oil. So, it is better to change the hydraulic oil while it is warm. When changing the hydraulic oil, the old oil must be drained as much as possible. (Drain the oil not only from the hydraulic tank, but also from the filter housing and the drain plug hole in the circuit.) If the old oil is left in the system, the contaminant and sludge in the oil mix with the new oil and shorten the life of the new hydraulic oil.

### Flushing operations

- After disassembling the equipment or when changing the hydraulic oil with new one, flush the system to remove the contaminant and sludge left in the hydraulic circuit as well as the oil which includes them. Normally, flushing is performed twice. Primary flushing is performed by use of the flushing oil and the secondary flushing is performed by use of the specified hydraulic oil.



### Cleaning operations

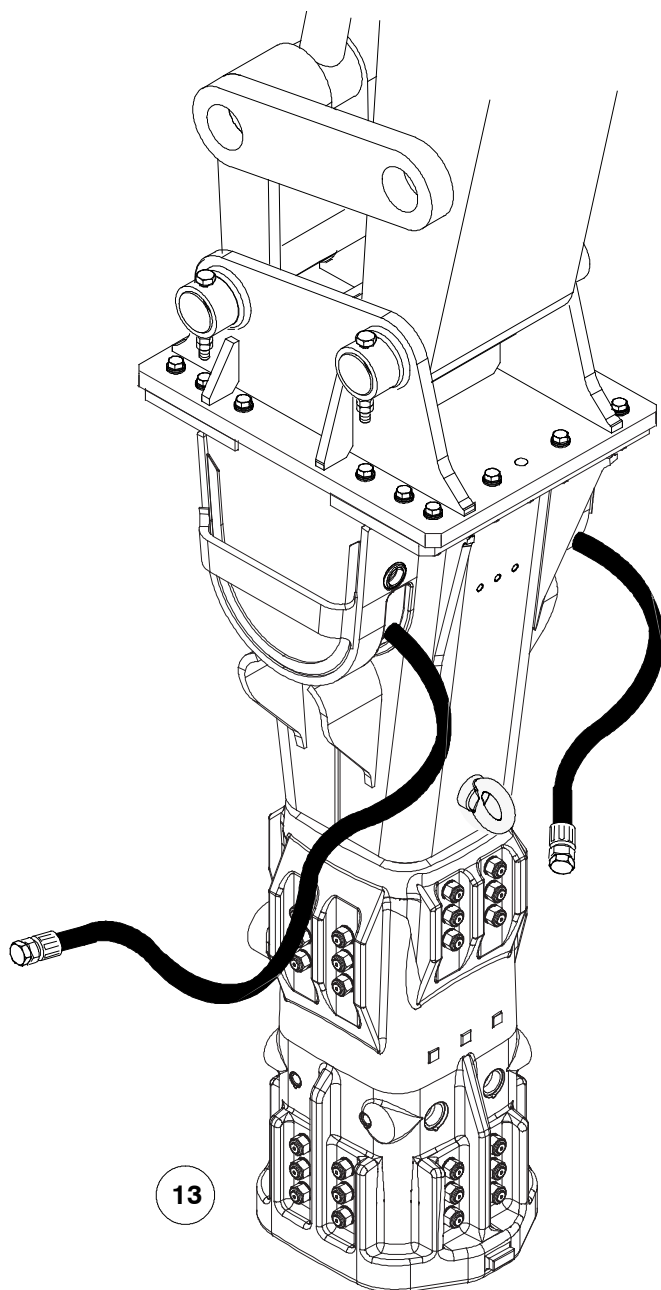
- After repairing the hydraulic equipment (pump, control valve, etc.) or when the machine is in operation, perform oil cleaning to remove the sludge or contaminant in the hydraulic oil circuit. The oil cleaning equipment can remove the ultra fine (approximately  $3\mu\text{m}$ ) particles that the filter built in the hydraulic equipment can not remove. So, it is an extremely effective device.

kg/cm<sup>2</sup> to lb/in<sup>2</sup>

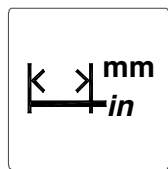
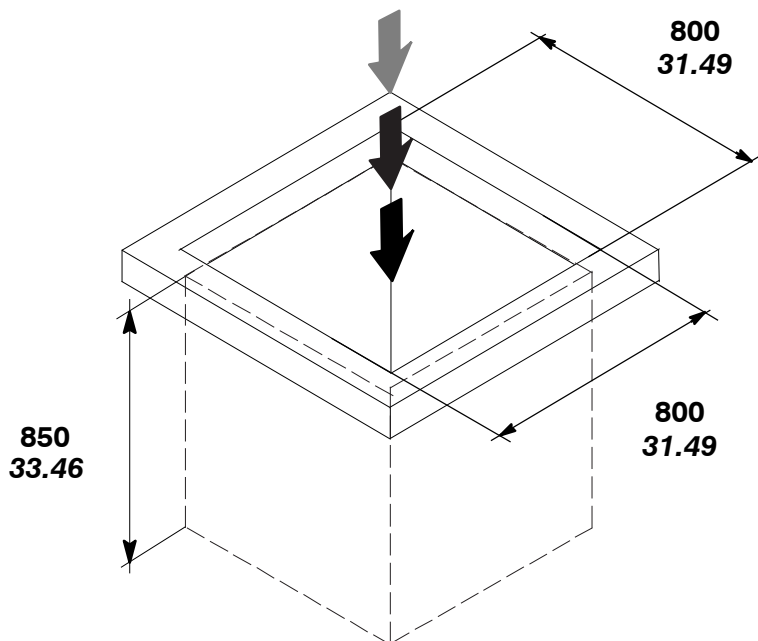
1 kg/cm<sup>2</sup> = 14.2233 lb/in<sup>2</sup>

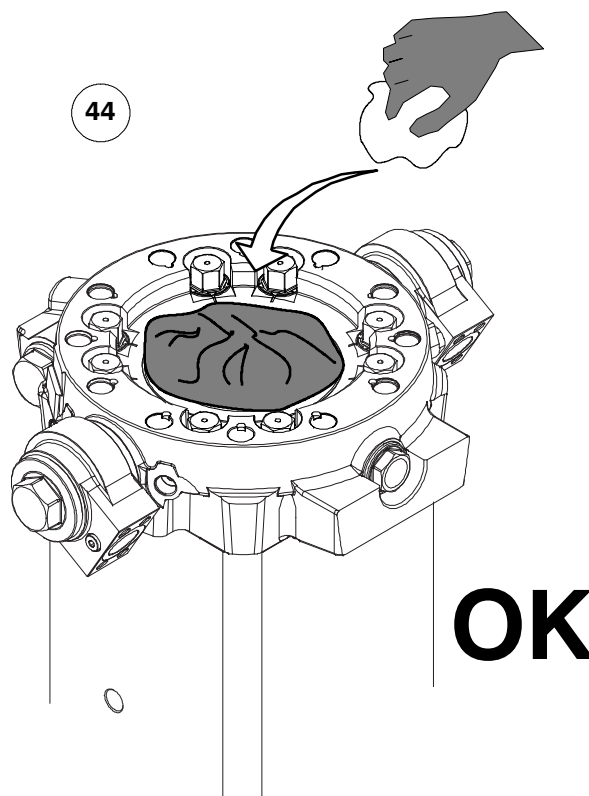
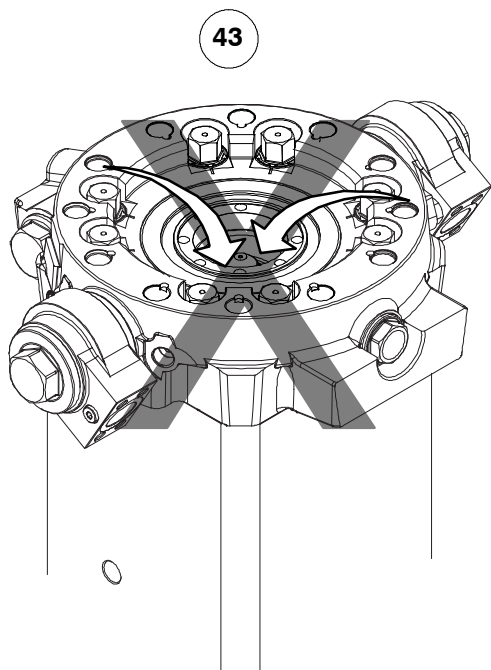
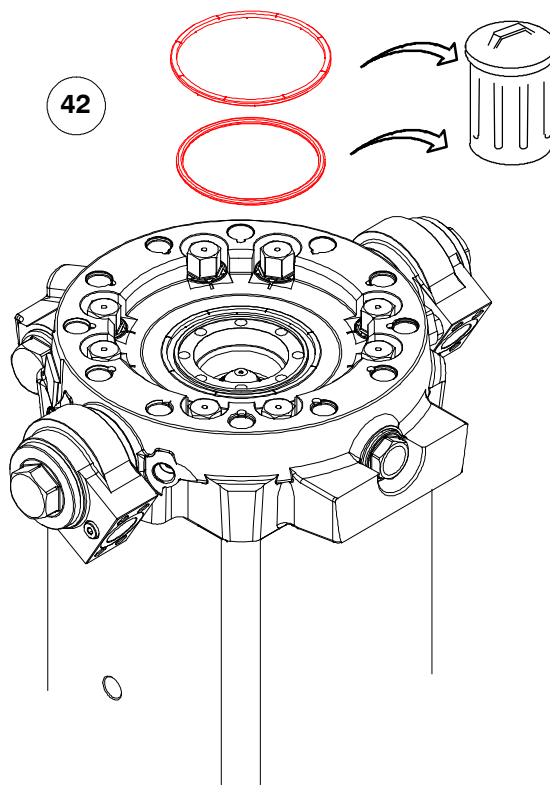
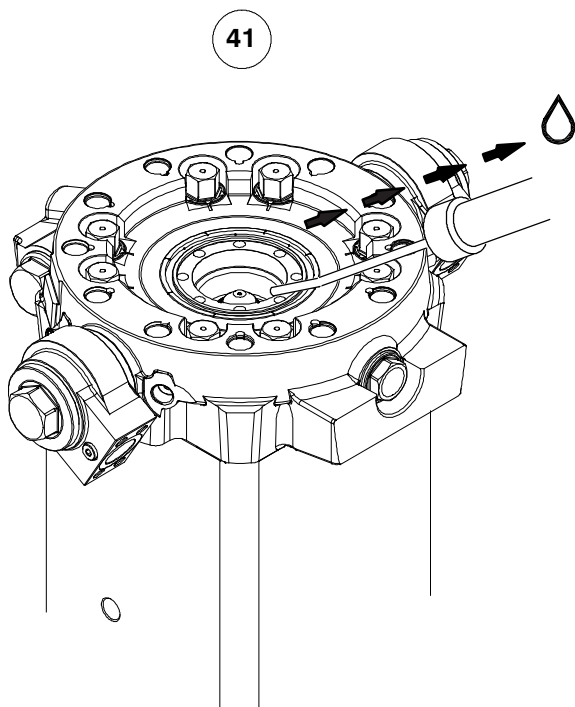
	0	1	2	3	4	5	6	7	8	9
0	0	14.2	28.4	42.7	56.9	71.1	85.3	99.6	113.8	128.0
10	142.2	156.5	170.7	184.9	199.1	213.4	227.6	241.8	256.0	270.2
20	284.5	298.7	312.9	327.1	341.4	355.6	369.8	384.0	398.3	412.5
30	426.7	440.9	455.1	469.4	483.6	497.8	512.0	526.3	540.5	554.7
40	568.9	583.2	597.4	611.6	625.8	640.1	654.3	668.5	682.7	696.9
50	711.2	725.4	739.6	753.8	768.1	782.3	796.5	810.7	825.0	839.2
60	853.4	867.6	881.8	896.1	910.3	924.5	938.7	953.0	967.2	981.4
70	995.6	1,010	1,024	1,038	1,053	1,067	1,081	1,095	1,109	1,124
80	1,138	1,152	1,166	1,181	1,195	1,209	1,223	1,237	1,252	1,266
90	1,280	1,294	1,309	1,323	1,337	1,351	1,365	1,380	1,394	1,408
100	1,422	1,437	1,451	1,465	1,479	1,493	1,508	1,522	1,536	1,550
110	1,565	1,579	1,593	1,607	1,621	1,636	1,650	1,664	1,678	1,693
120	1,707	1,721	1,735	1,749	1,764	1,778	1,792	1,806	1,821	1,835
130	1,849	1,863	1,877	1,892	1,906	1,920	1,934	1,949	1,963	1,977
140	1,991	2,005	2,020	2,034	2,048	2,062	2,077	2,091	2,105	2,119
150	2,134	2,148	2,162	2,176	2,190	2,205	2,219	2,233	2,247	2,262
160	2,276	2,290	2,304	2,318	2,333	2,347	2,361	2,375	2,389	2,404
170	2,418	2,432	2,446	2,460	2,475	2,489	2,503	2,518	2,532	2,546
180	2,560	2,574	2,589	2,603	2,617	2,631	2,646	2,660	2,674	2,688
190	2,702	2,717	2,731	2,745	2,759	2,773	2,788	2,802	2,816	2,830
200	2,845	2,859	2,873	2,887	2,901	2,916	2,930	2,944	2,958	2,973
210	2,987	3,001	3,015	3,030	3,044	3,058	3,072	3,086	3,101	3,115
220	3,129	3,143	3,158	3,172	3,186	3,200	3,214	3,229	3,243	3,257
230	3,271	3,286	3,300	3,314	3,328	3,343	3,357	3,371	3,385	3,399
240	3,414	3,428	3,442	3,456	3,470	3,485	3,499	3,513	3,527	3,542

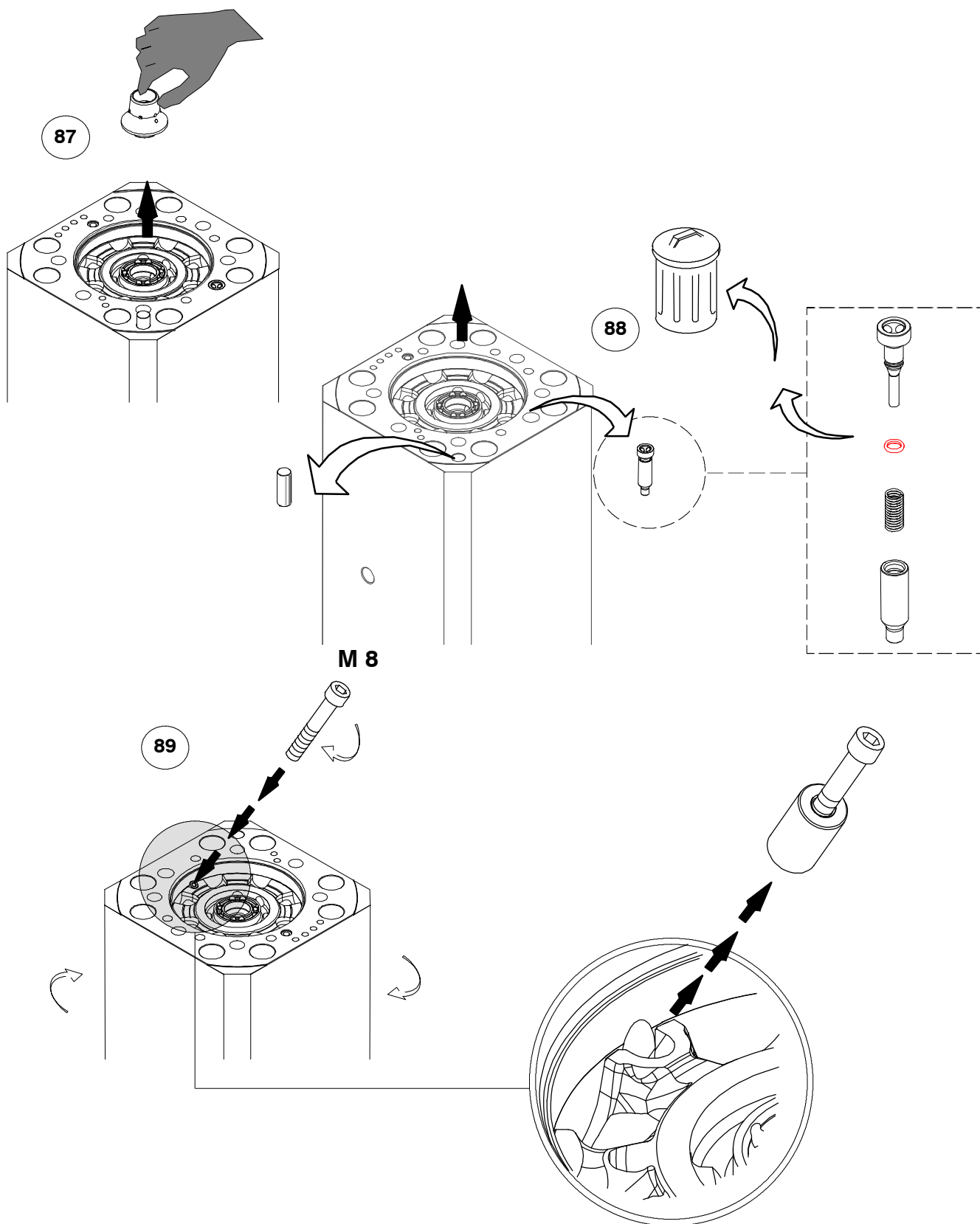


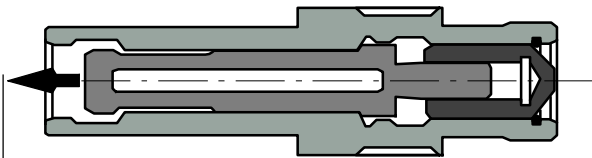
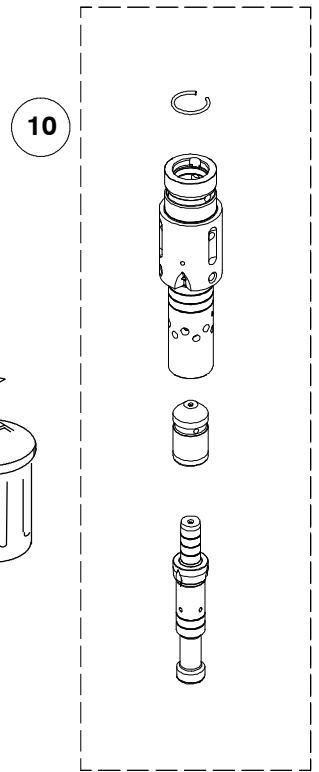
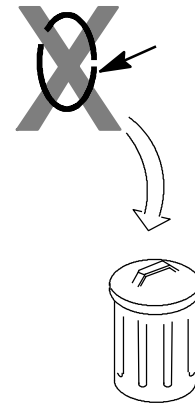
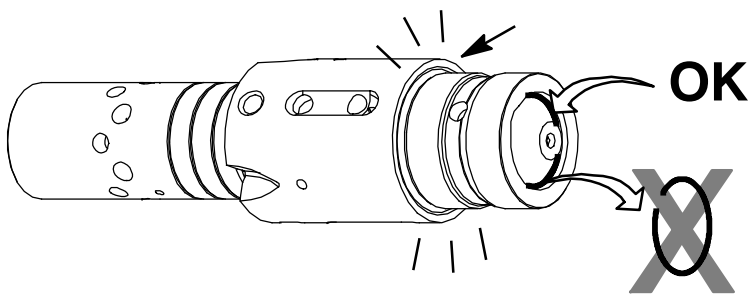
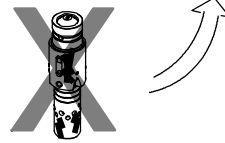
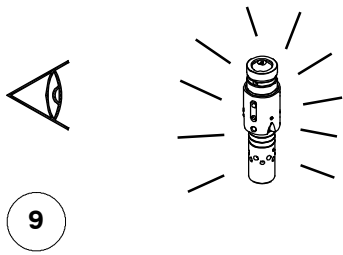
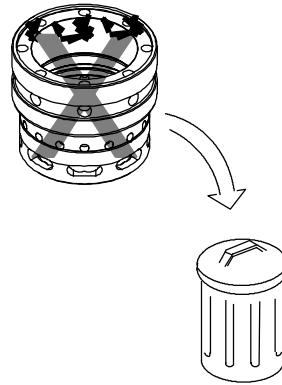
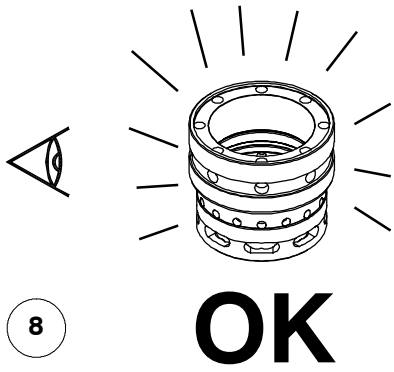


13

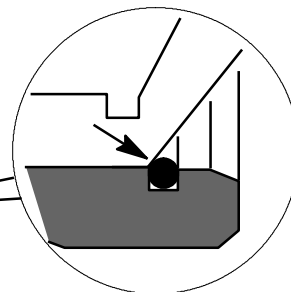
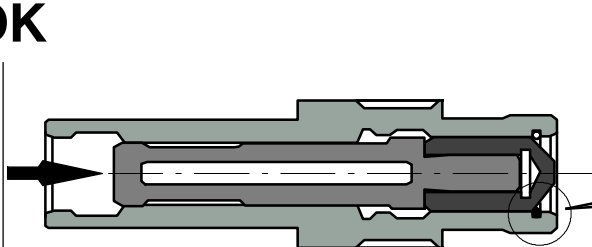




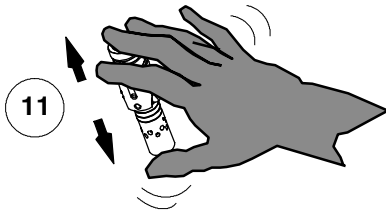
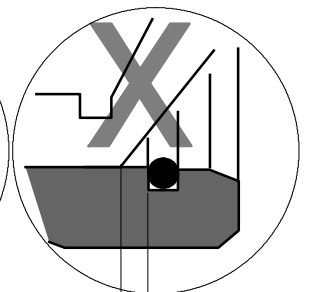




**OK**



**OK**



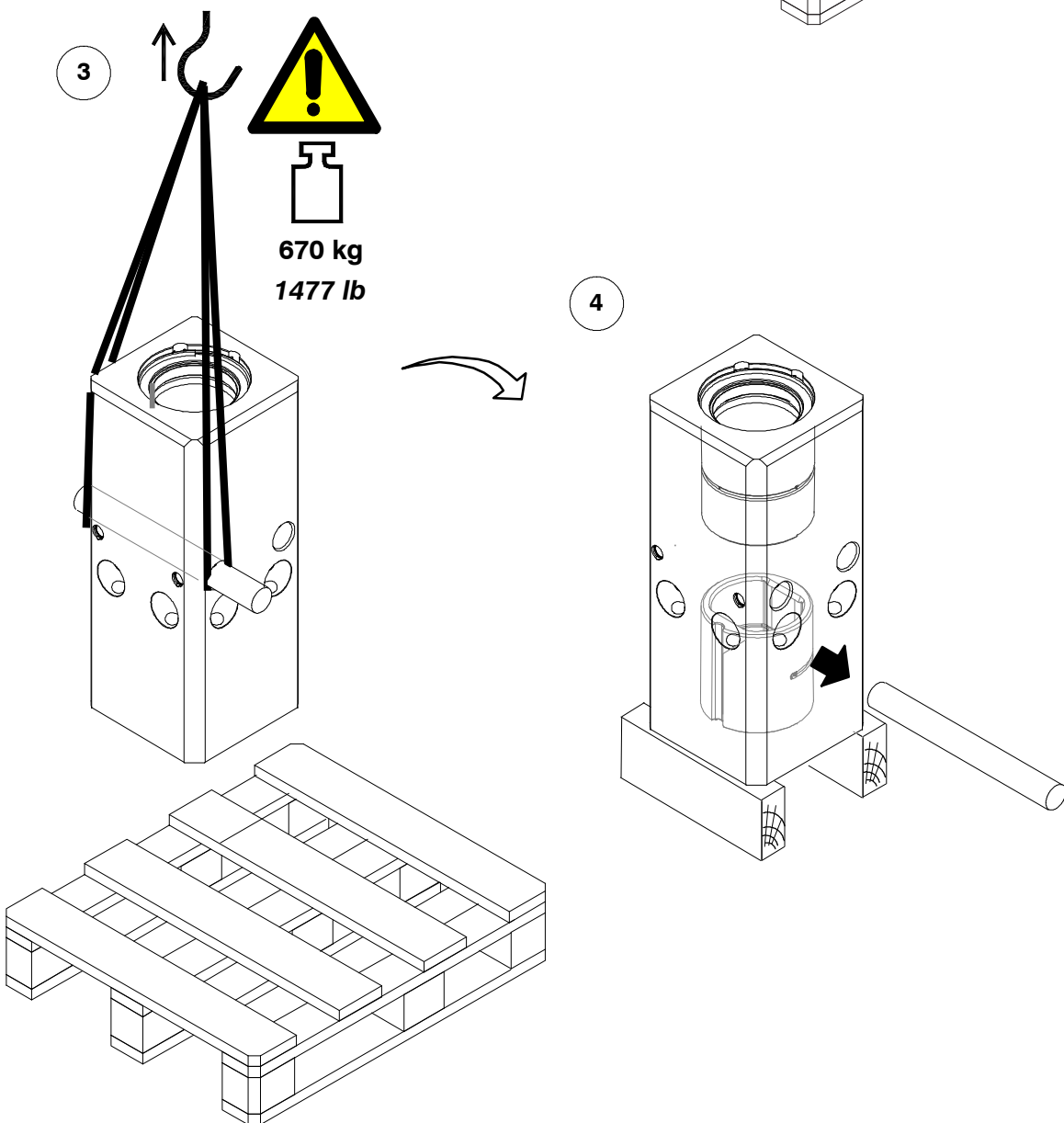
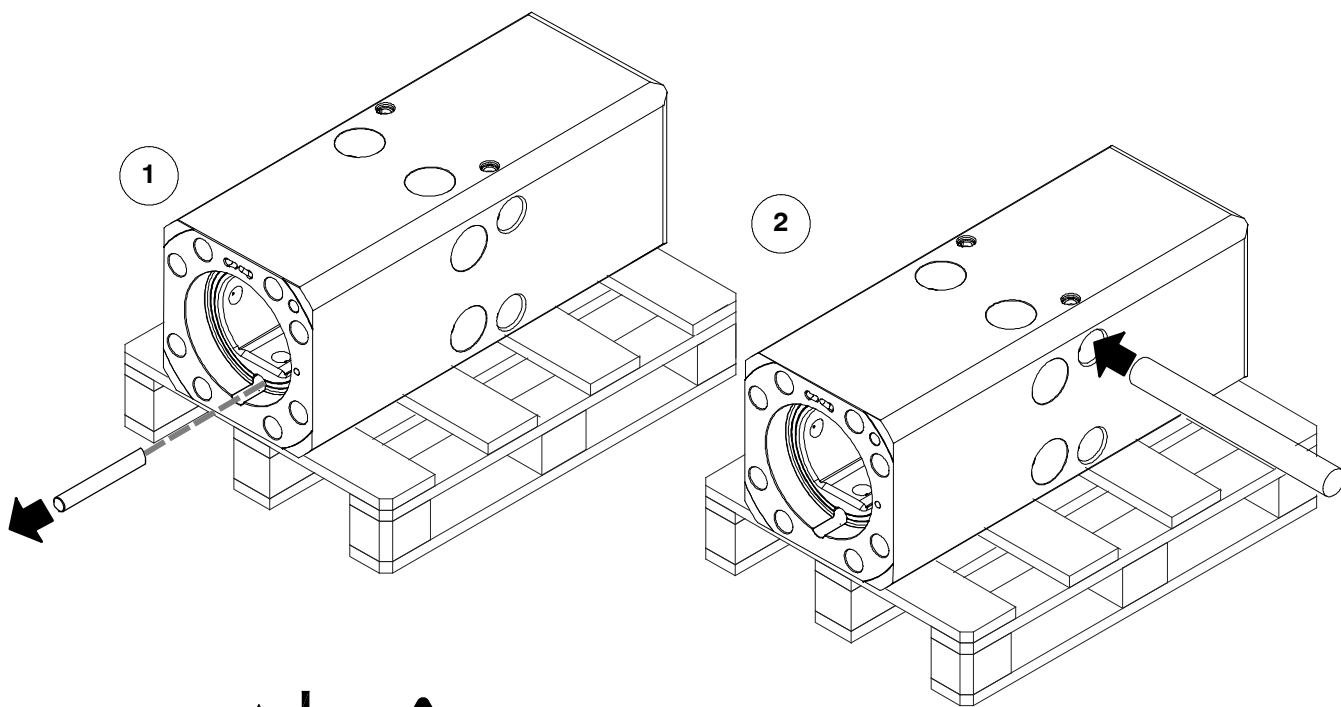
CLICK HERE TO **DOWNLOAD** THE COMPLETE MANUAL

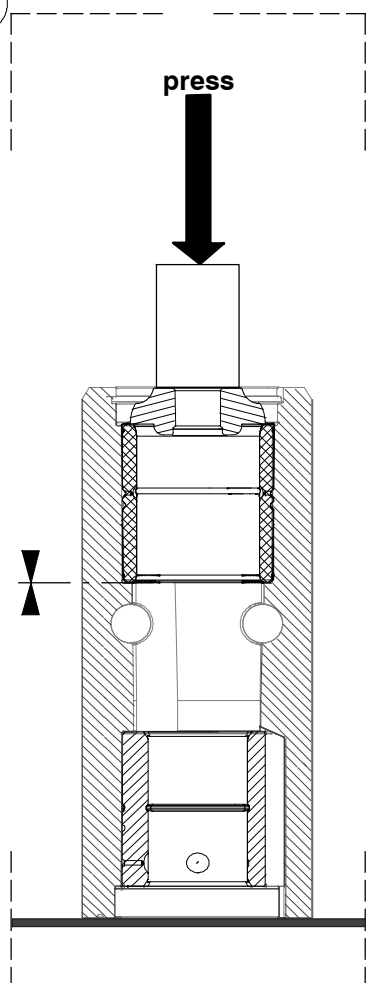
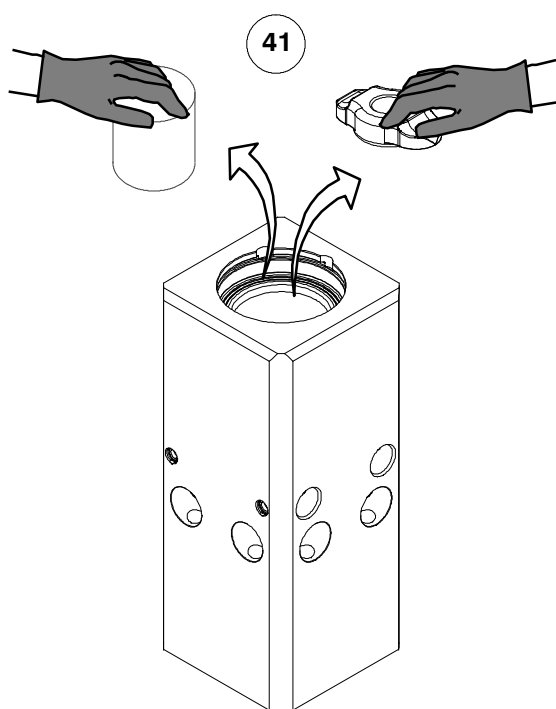
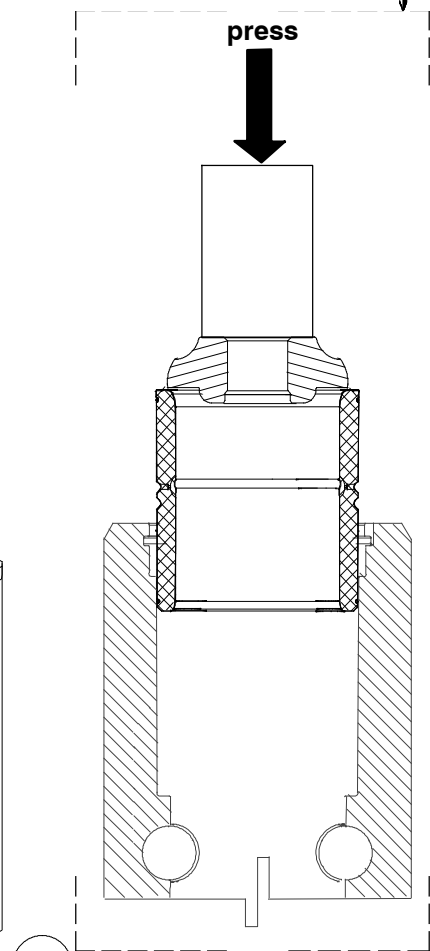
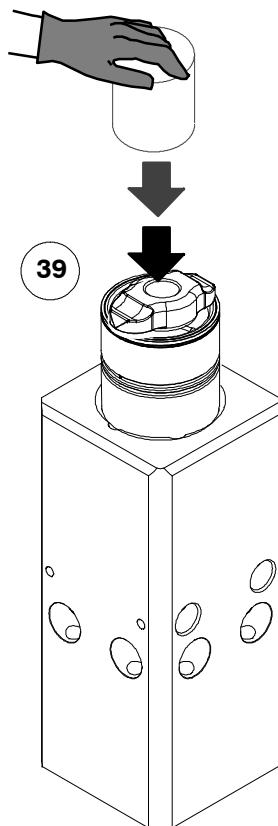
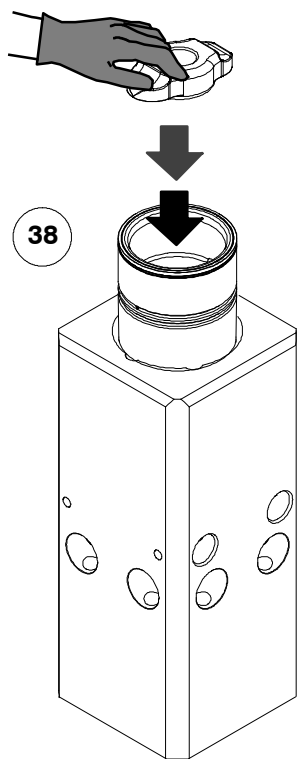
- Thank you very much for reading the preview of the manual.
- You can download the complete manual from: [www.heydownloads.com](http://www.heydownloads.com) by clicking the link below

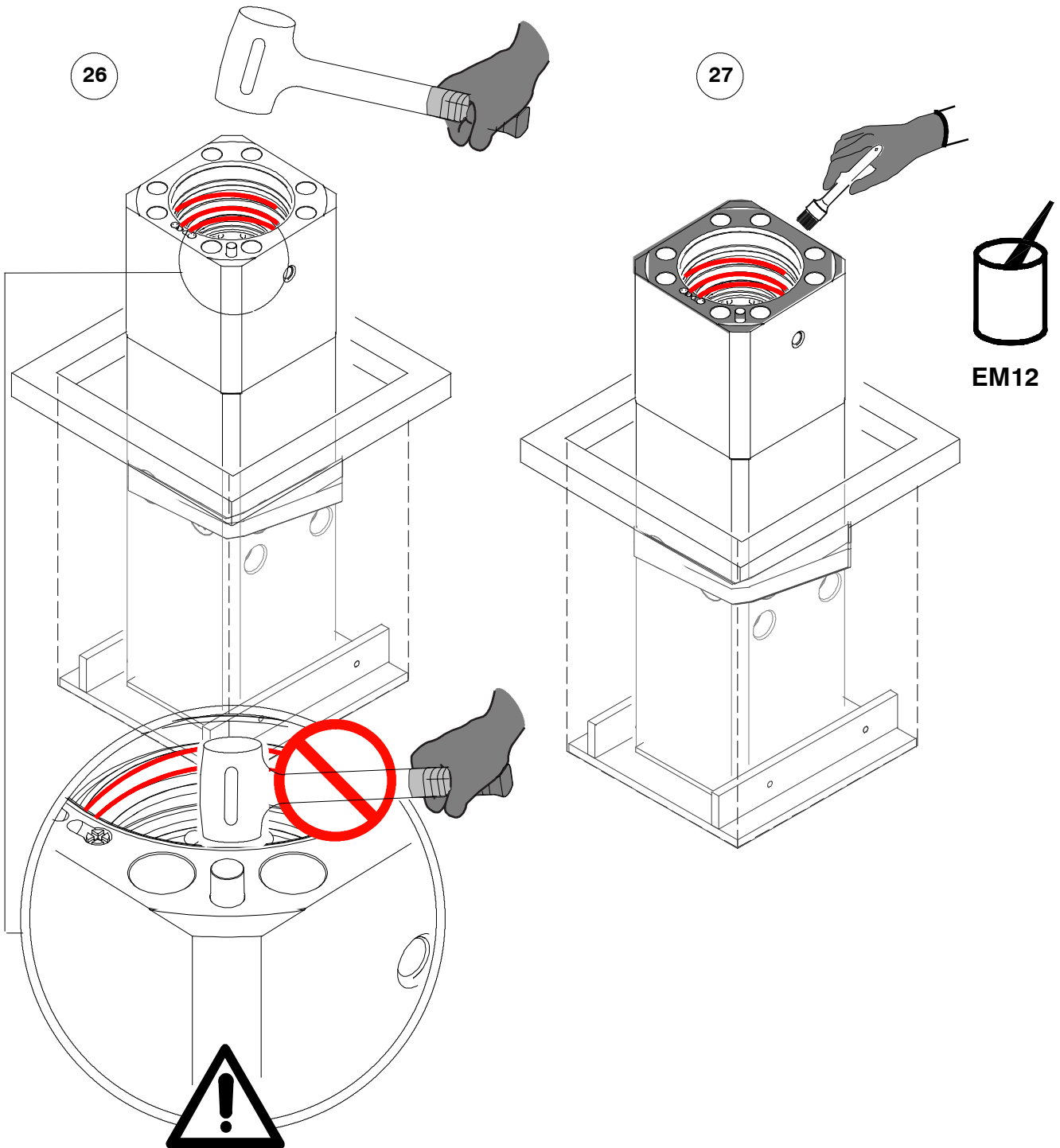
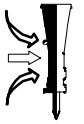


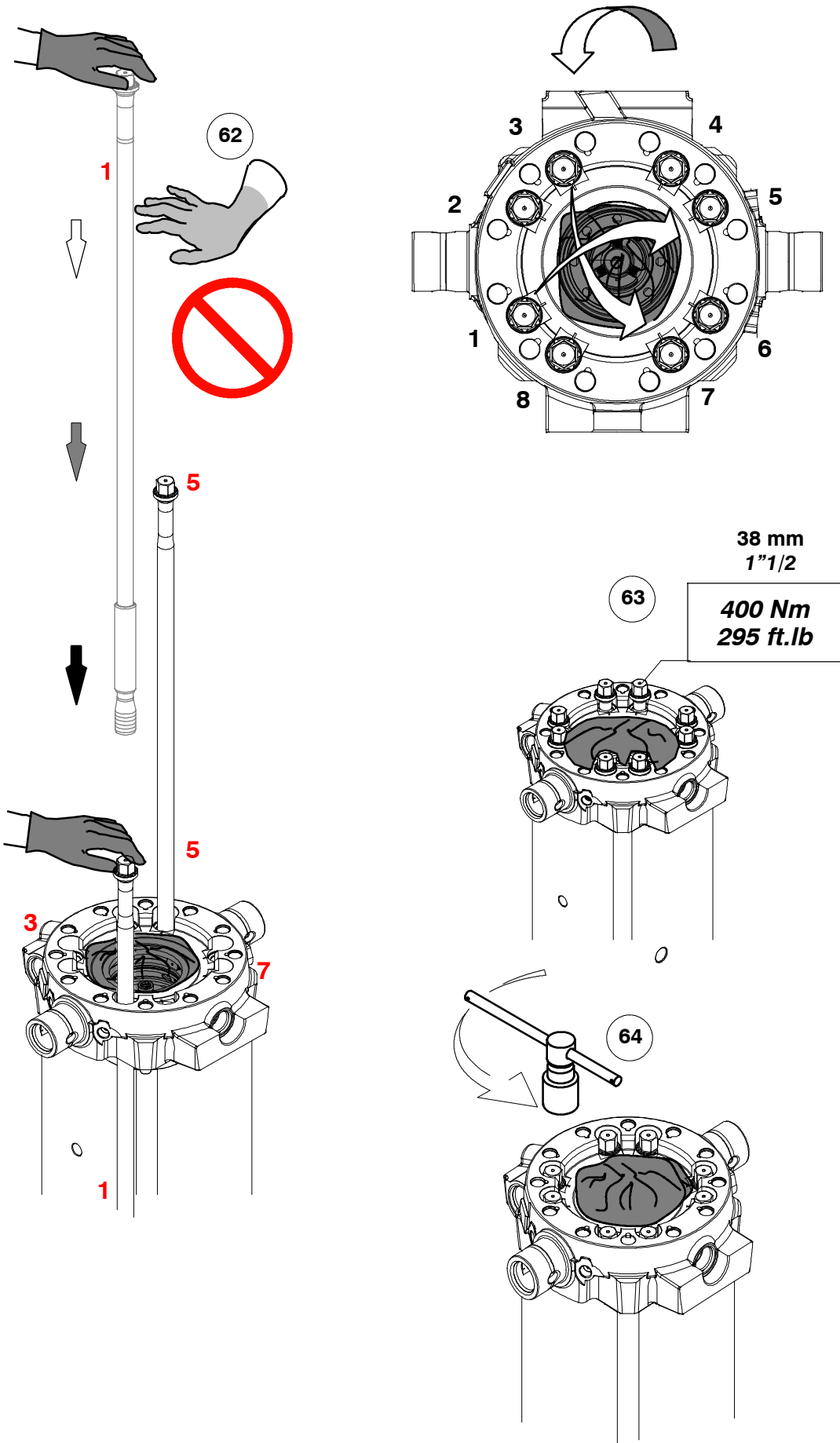
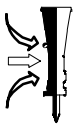
- Please note: If there is no response to CLICKING the link, please download this PDF first and then click on it.

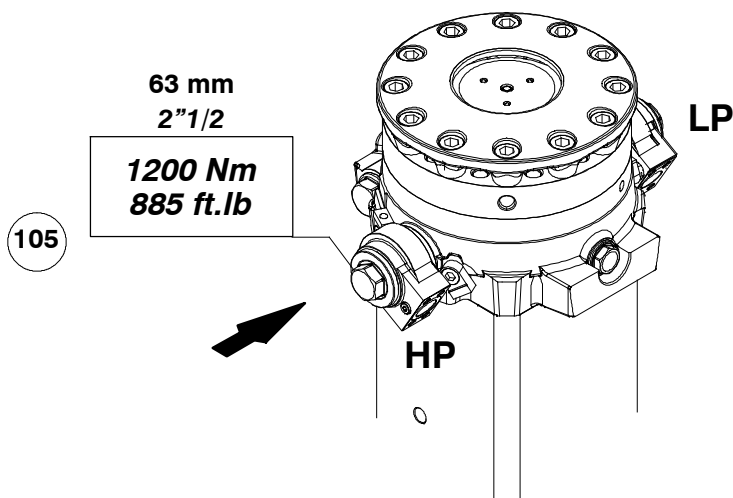
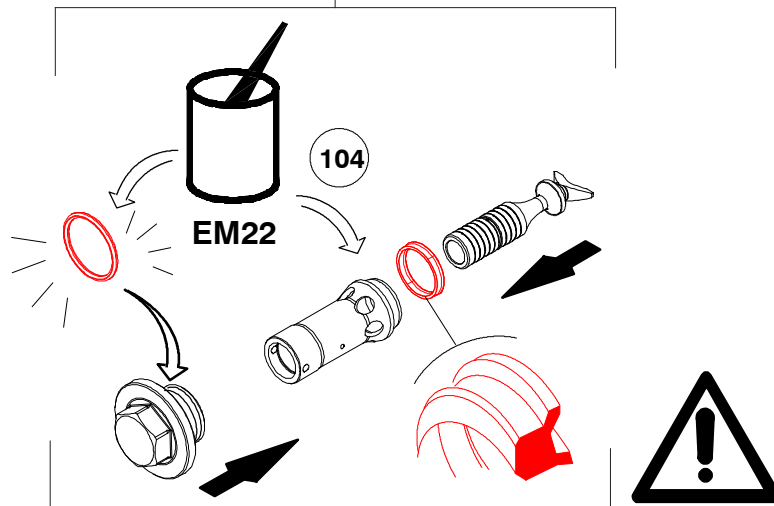
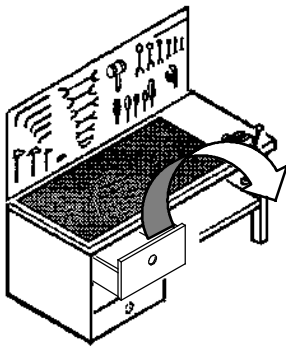
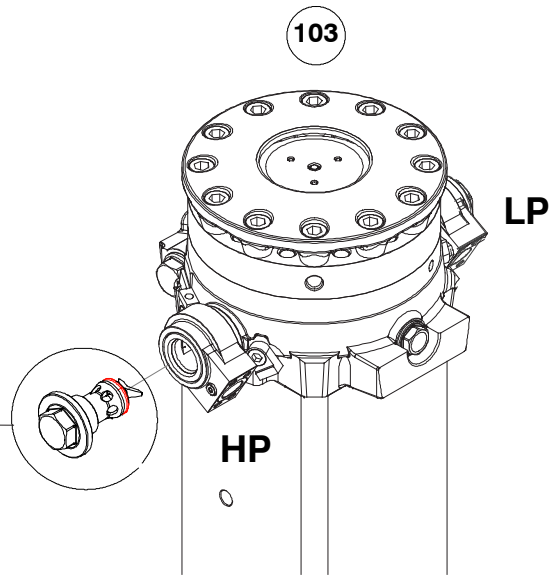
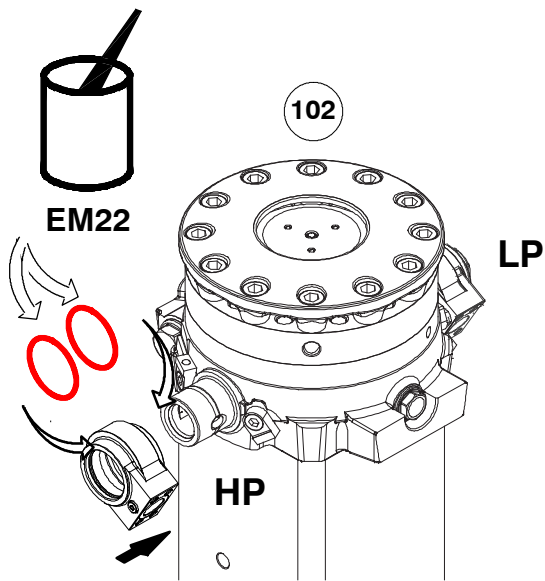
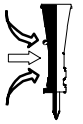
CLICK HERE TO **DOWNLOAD** THE COMPLETE MANUAL

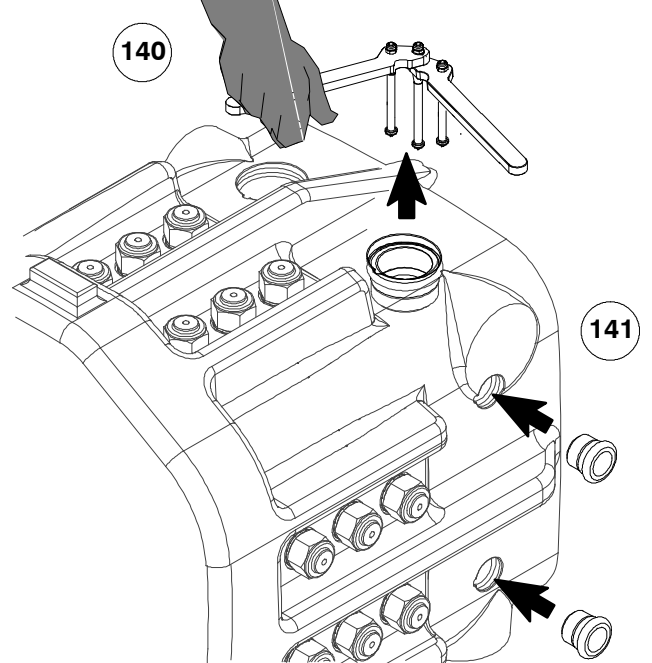
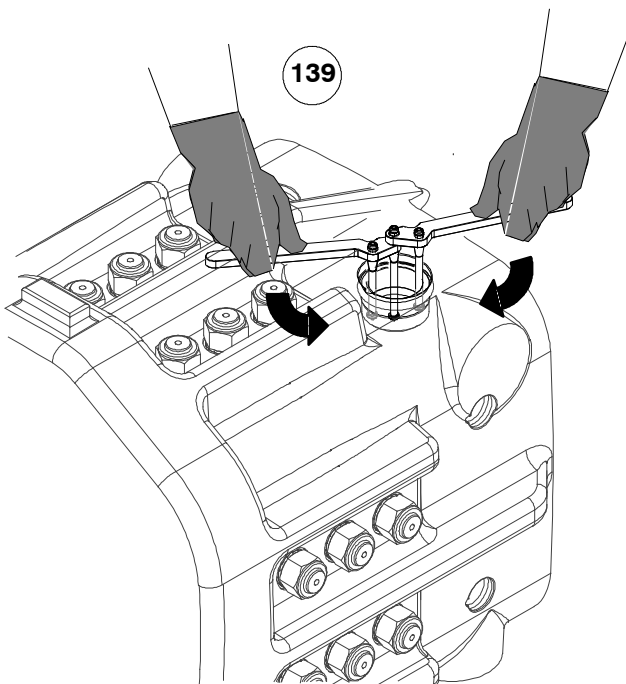
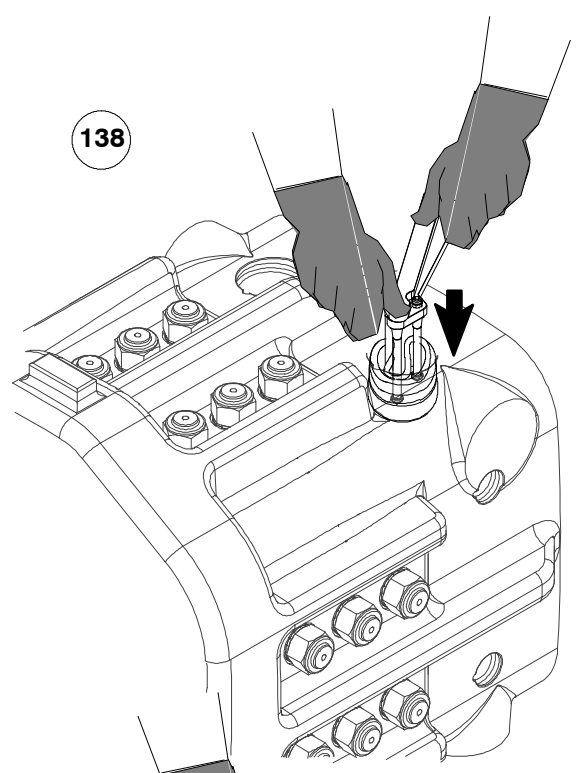
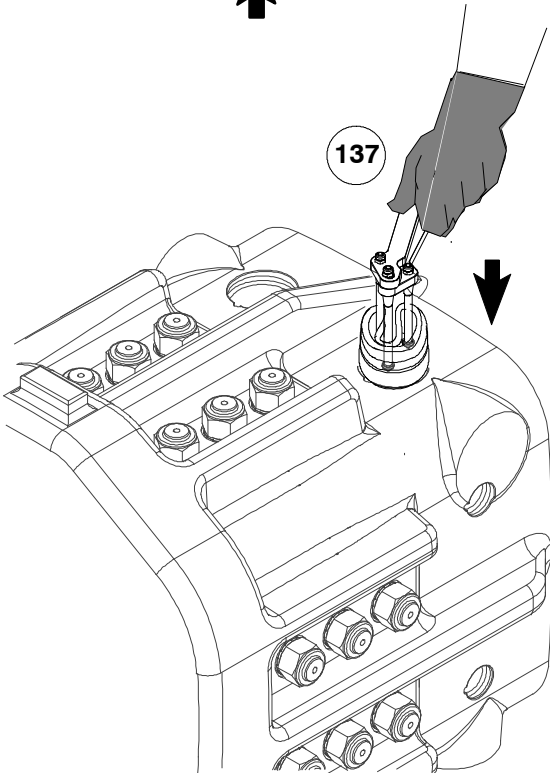
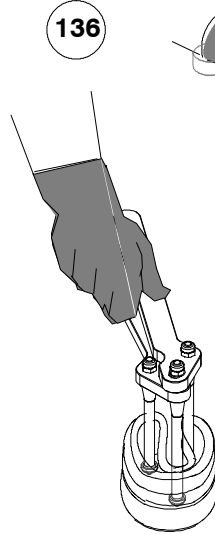
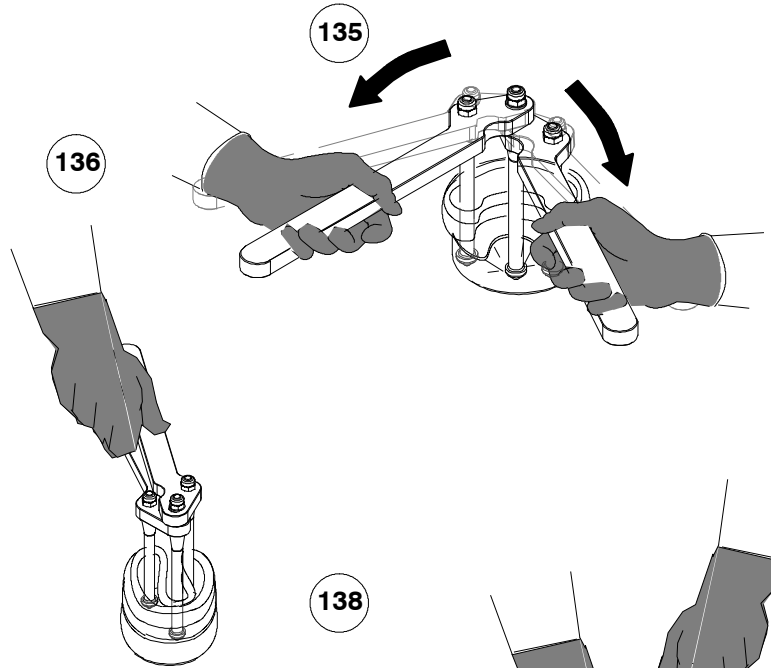
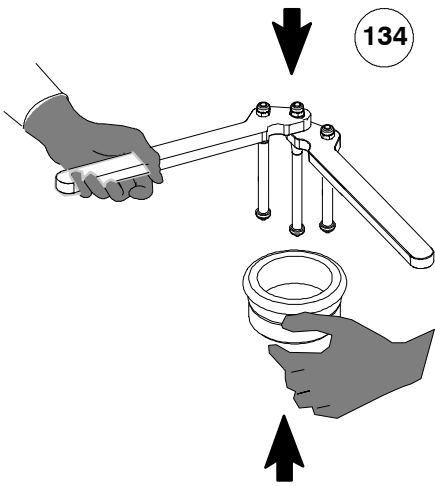
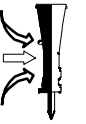


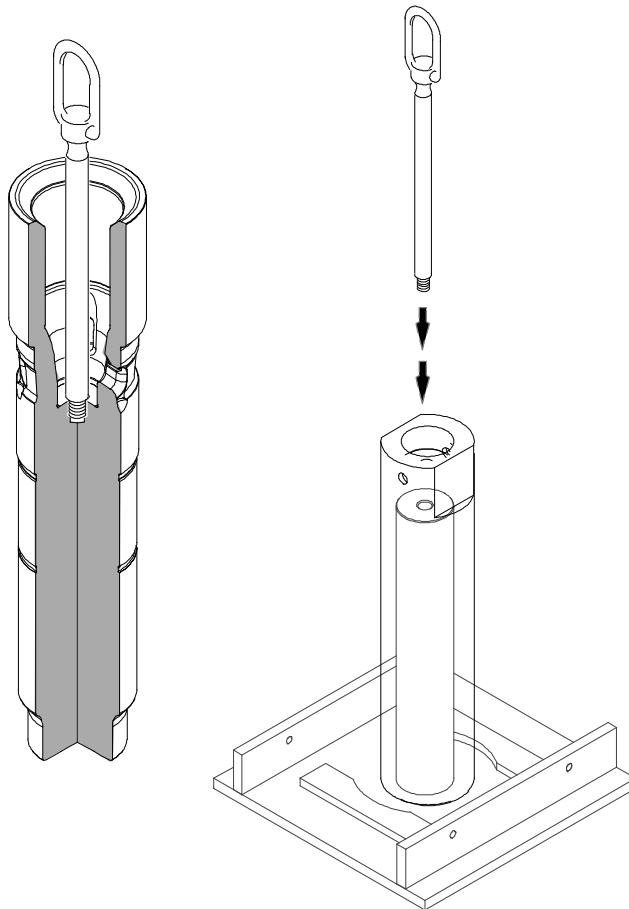
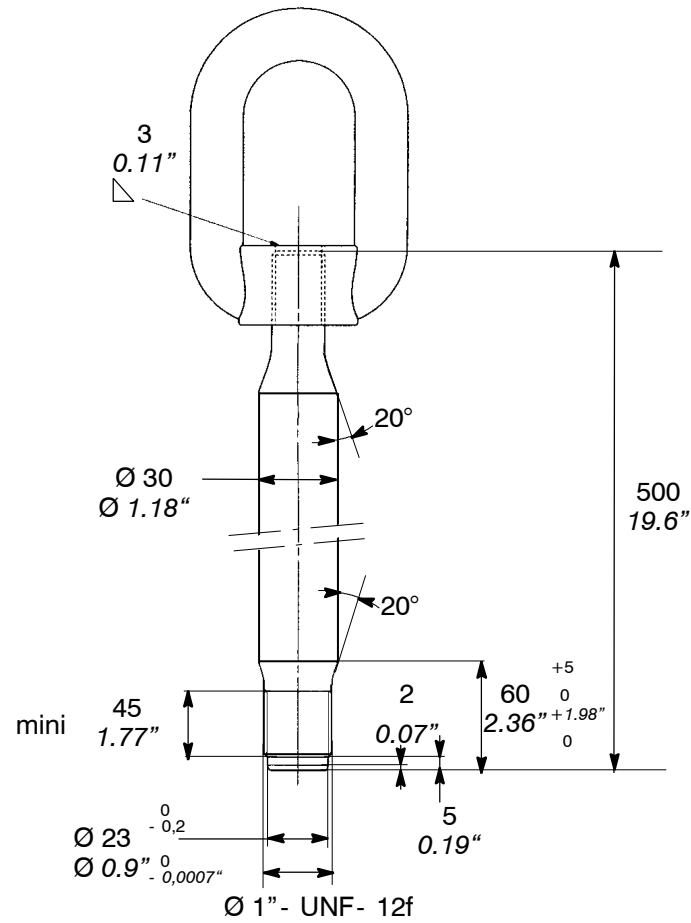
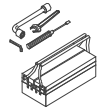












K |> mm  
in

CLICK HERE TO **DOWNLOAD** THE COMPLETE MANUAL

- Thank you very much for reading the preview of the manual.
- You can download the complete manual from: [www.heydownloads.com](http://www.heydownloads.com) by clicking the link below



- Please note: If there is no response to CLICKING the link, please download this PDF first and then click on it.

CLICK HERE TO **DOWNLOAD** THE COMPLETE MANUAL