

# Shop Manual



**KOMATSU HYDRAULIC BREAKER**

Serial numbers

**JMHB55H-2**

25701~



This hop manual is for hydraulic breaker.  
For excavators, please refer to their hop manual.

**KOMATSU**

CLICK HERE TO **DOWNLOAD** THE COMPLETE MANUAL

- Thank you very much for reading the preview of the manual.
- You can download the complete manual from: [www.heydownloads.com](http://www.heydownloads.com) by clicking the link below



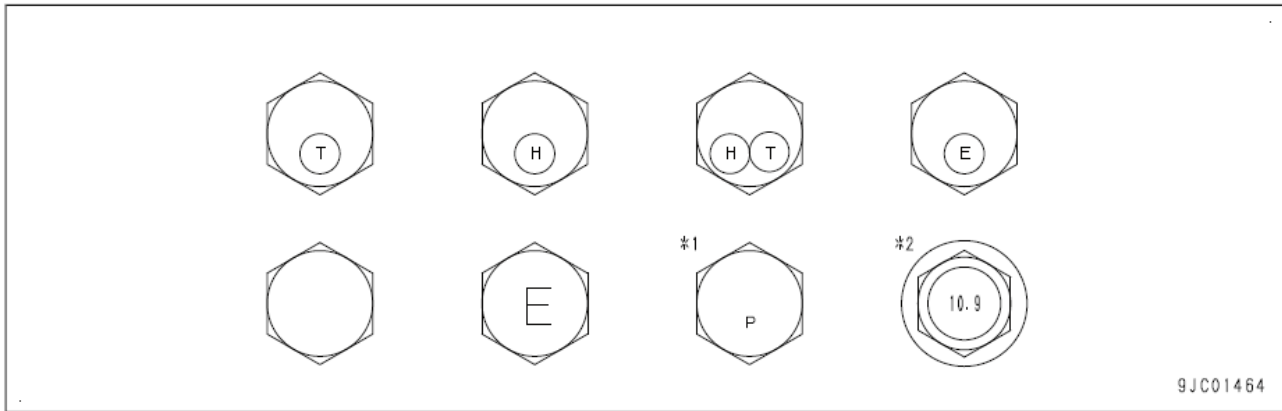
- Please note: If there is no response to CLICKING the link, please download this PDF first and then click on it.

CLICK HERE TO **DOWNLOAD** THE COMPLETE MANUAL

## Standard tightening torque table

Table of tightening torque for bolts and nuts.

Unless otherwise specified, tighten the metric bolts and nuts to the torque shown in the table below.



9JC01464

Thread diameter (mm)	Width across flats (mm)	Tightening torque (Nm {kgm})
6	10 (*2) 10	11.8 to 14.7 {1.2 to 1.5}
8	13 (*2) 12	27 to 34 {2.8 to 3.5}
10	17 (*1, *2) 14	59 to 74 {6.0 to 7.5}
12	19 (*1, *2) 17	98 to 123 {10.0 to 12.5}
14	22	157 to 196 {16 to 20}
16	24 (*1) 22	245 to 309 {25 to 31.5}
18	27	343 to 427 {35 to 43.5}
20	30	490 to 608 {50 to 62}
22	32	662 to 829 {67.5 to 84.5}
24	36	824 to 1,030 {84 to 105}
27	41	1,180 to 1,470 {120 to 150}
30	46	1,520 to 1,910 {155 to 195}
33	50	1,960 to 2,450 {200 to 250}
36	55	2,450 to 3,040 {250 to 310}
39	60	2,890 to 3,630 {295 to 370}

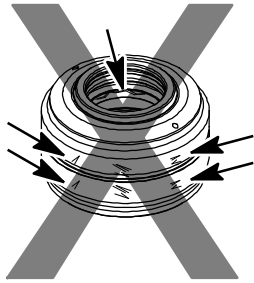
\*1: Split flange bolt.

\*2: Flanged bolt.

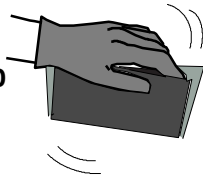
	ISO 7000	1640		ISO 7010	M010
	ISO 7000	1641		ISO 7010	M014
	ISO 7000	1659		ISO 7010	M015
	ISO 7000	1682		ISO 7000	P001
	ISO 7000	1683		ISO 7010	W001
	ISO 7000	2497		ISO 7010	W010
	ISO 7000	2498		ISO 7010	W017
	ISO 7000	2810			
	ISO 7000	2811		MONTABERT	
	ISO 7010	M002		MONTABERT	
	ISO 7010	M003		MONTABERT	
	ISO 7010	M004		MONTABERT	
	ISO 7010	M008		EU ISO	HEES
	ISO 7010	M009		-----	AB4



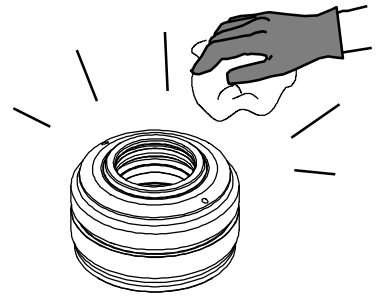
EU - P600  
US - 360



8



9

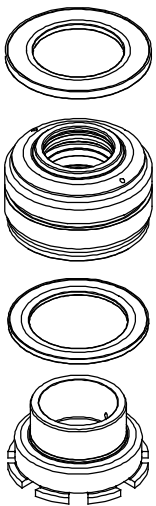
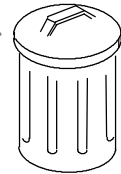


10

# OK

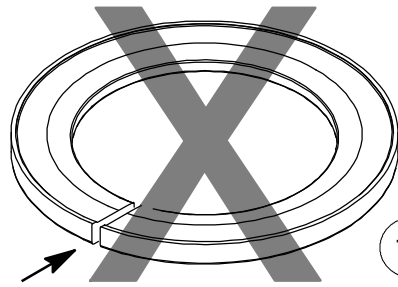


11

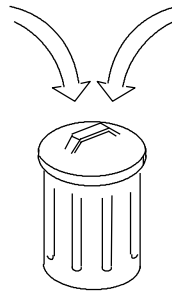


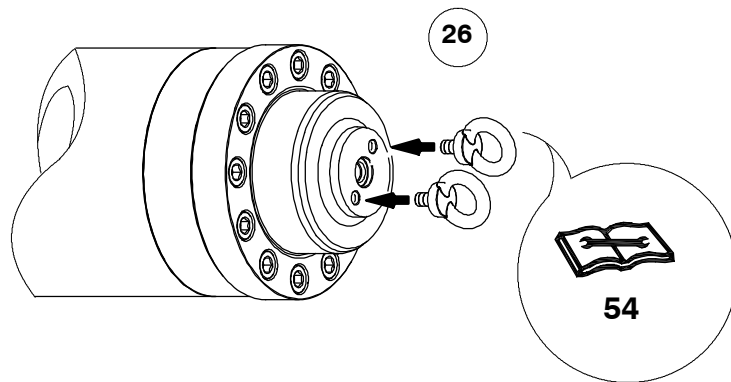
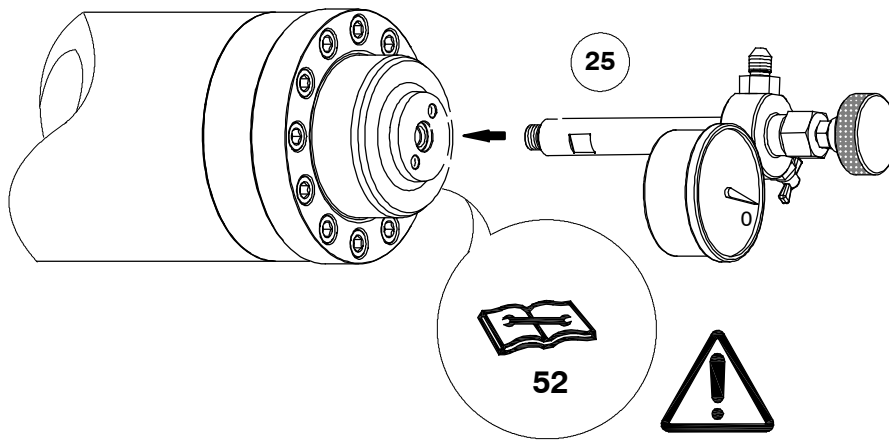
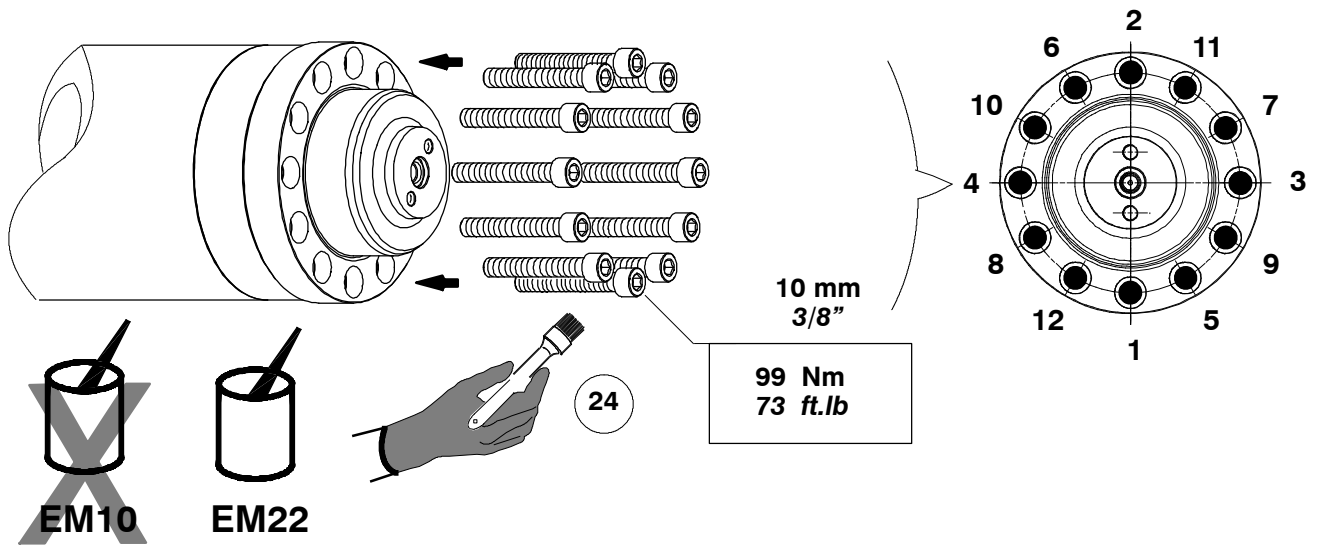
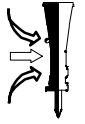
12

500 h



13





CLICK HERE TO **DOWNLOAD** THE COMPLETE MANUAL

- Thank you very much for reading the preview of the manual.
- You can download the complete manual from: [www.heydownloads.com](http://www.heydownloads.com) by clicking the link below



- Please note: If there is no response to CLICKING the link, please download this PDF first and then click on it.

CLICK HERE TO **DOWNLOAD** THE COMPLETE MANUAL