

KOMATSU

SHOP MANUAL

ELECTRIC LIFT TRUCK

FB16-1E

FB18-1E

FB20-1E

SHOP MANUAL FB16/18/20-1E

Komatsu Forklift Co., Ltd.

No. 3-4, 2-chome, Akasaka, Minato-ku, Tokyo, Japan

KOMATSU FORKLIFT

CLICK HERE TO **DOWNLOAD** THE COMPLETE MANUAL

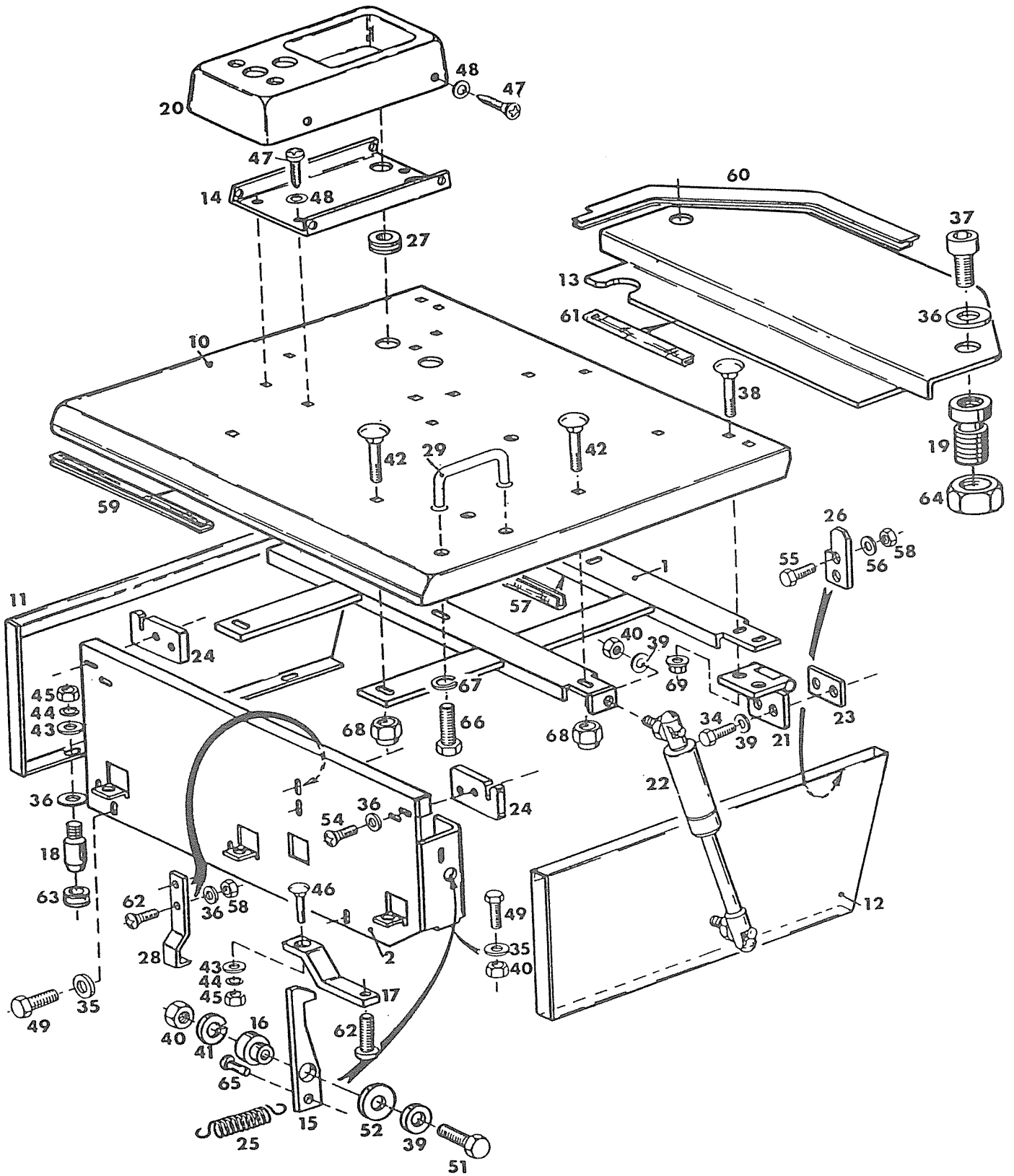
- Thank you very much for reading the preview of the manual.
- You can download the complete manual from: www.heydownloads.com by clicking the link below



- Please note: If there is no response to CLICKING the link, please download this PDF first and then click on it.

CLICK HERE TO **DOWNLOAD** THE COMPLETE MANUAL

2. Cover

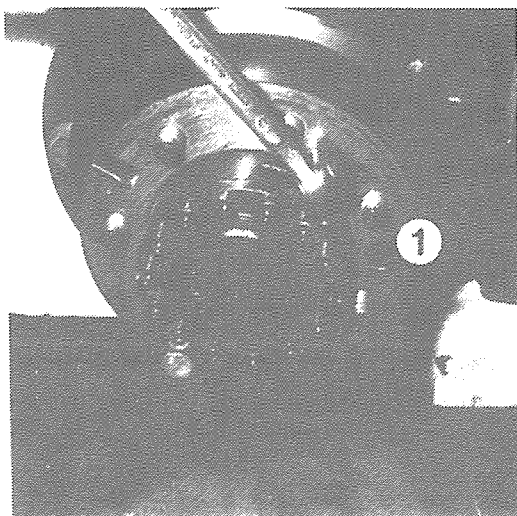


Section 03 Power unit

	Page
1. Removing and installing the top and bottom traction motor -----	21
2. Changing carbon brushes in the top traction motor -----	24
3. Changing carbon brushes in the bottom traction motor -----	25
4. Servicing regulations for DC motors -----	26

Brake system

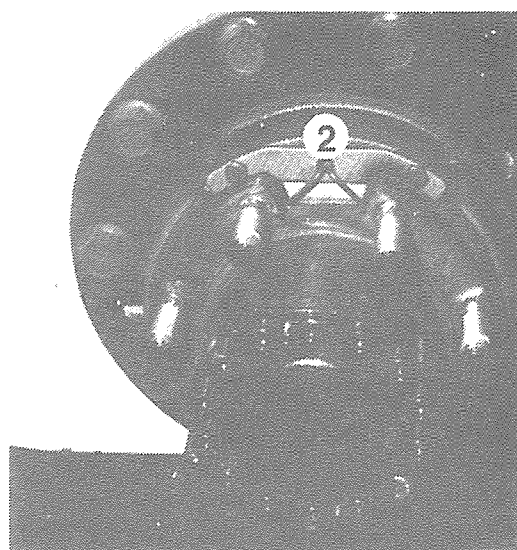
1. Removing and installing brake shoes



1. Slacken the wheel nuts.
2. Wedge the opposite wheel.
3. Jack up and secure the vehicle on the side where you want to change the brake shoes.
4. Release the wheel nuts and remove the wheel.
5. Pull off the brake drum and springs (1).

Important:

Take the greatest possible care when unhooking the springs.



6. Remove the retaining springs (2).
7. Take out the brake shoes and unhook the hand brake cable.

N.B.:

At their thinnest part the brake linings must still be at least 2 mm thick.

If the linings fail to comply with this value, they must be replaced.

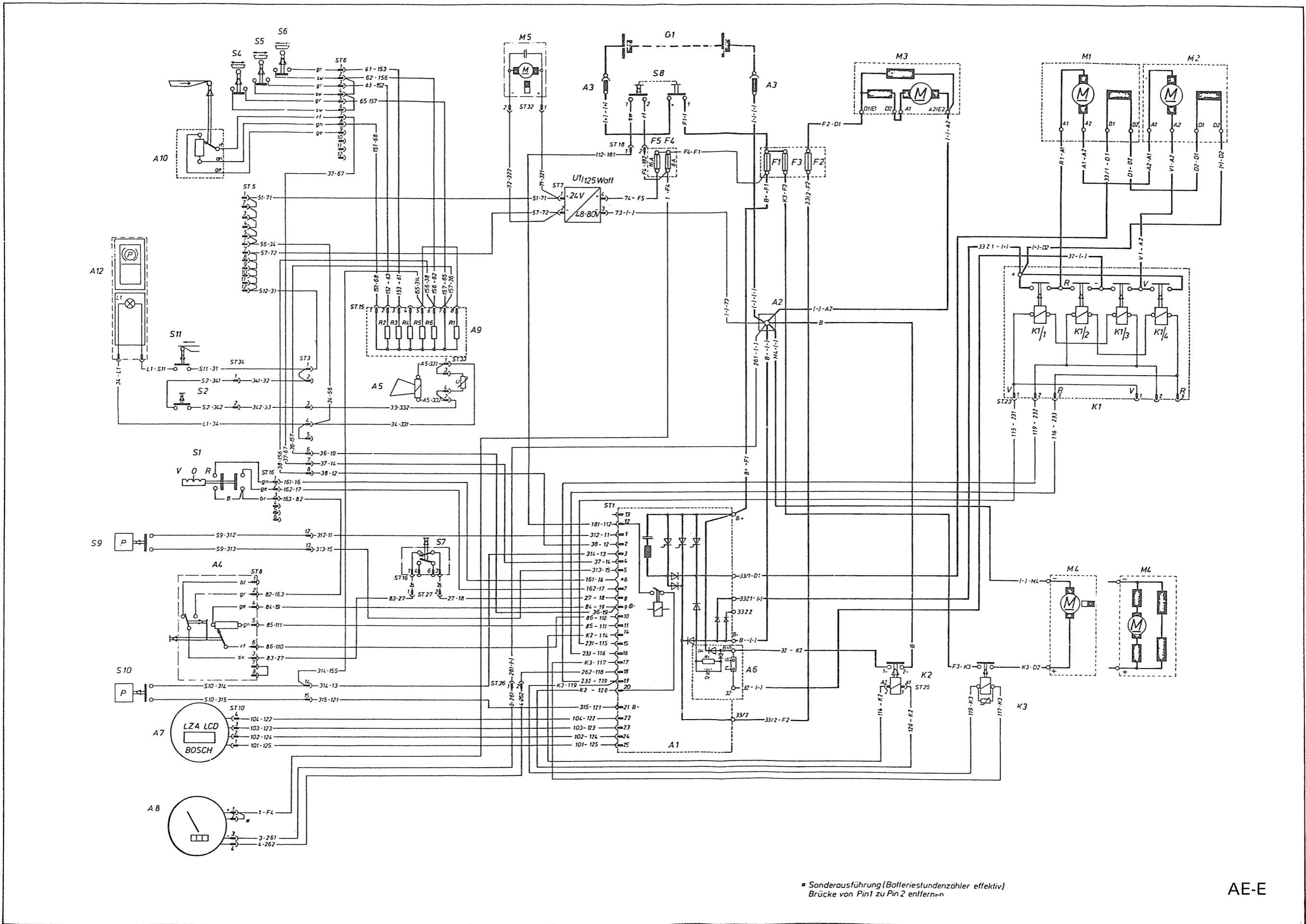
Install in reverse order, paying special attention to the following points:

Do not allow any oil or grease to get on the brake shoes.

When finished, adjust the service brake and the parking brake (see the section "Adjusting the parking brake and the service brake").

Brake linings must always be changed in sets.

2. Circuit diagram



▪ Sonderausführung (Batteriestundenzähler effektiv)
 Brücke von Pin1 zu Pin2 entfernen

AE-E

Mast

3. Changing the fork carriage guide rollers

Removal:

1. Remove the fork carriage (see the section "Removing and installing the fork carriage").
2. Remove the guide rollers to the side (Figure 1).

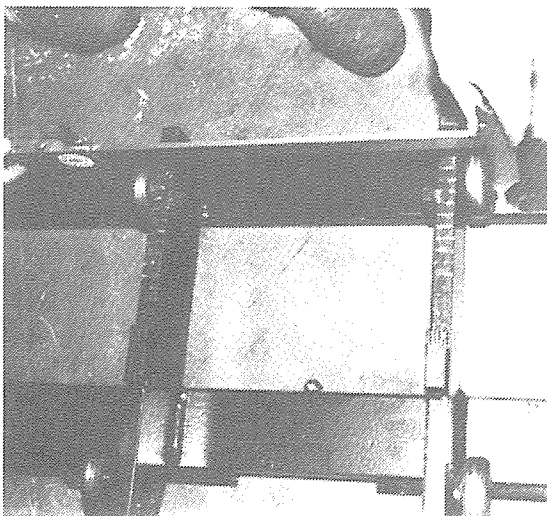
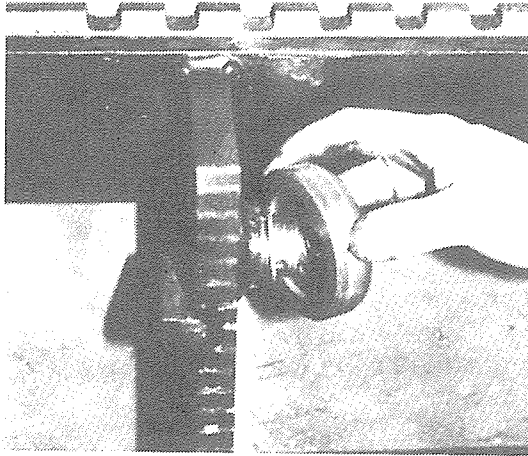
Installation:

1. Measure the inside of the lift frame at the top from the runways (Figure 2).
2. Use shims to adjust the fork carriage guide rollers to the lift frame measurement minus 0.2 - 0.4 mm (Figure 3).
0.5 mm thick shim - Item No. 008947.
0.1 mm thick shim - item No. 004041.

When completely installed, the guide rollers must be coated with grease.

N.B.:

The rollers lie at an angle to the fork carriage. Always measure the greater distance. Use spacer rings to distribute the play evenly between the two sides.



CLICK HERE TO **DOWNLOAD** THE COMPLETE MANUAL

- Thank you very much for reading the preview of the manual.
- You can download the complete manual from: www.heydownloads.com by clicking the link below



- Please note: If there is no response to CLICKING the link, please download this PDF first and then click on it.

CLICK HERE TO **DOWNLOAD** THE COMPLETE MANUAL