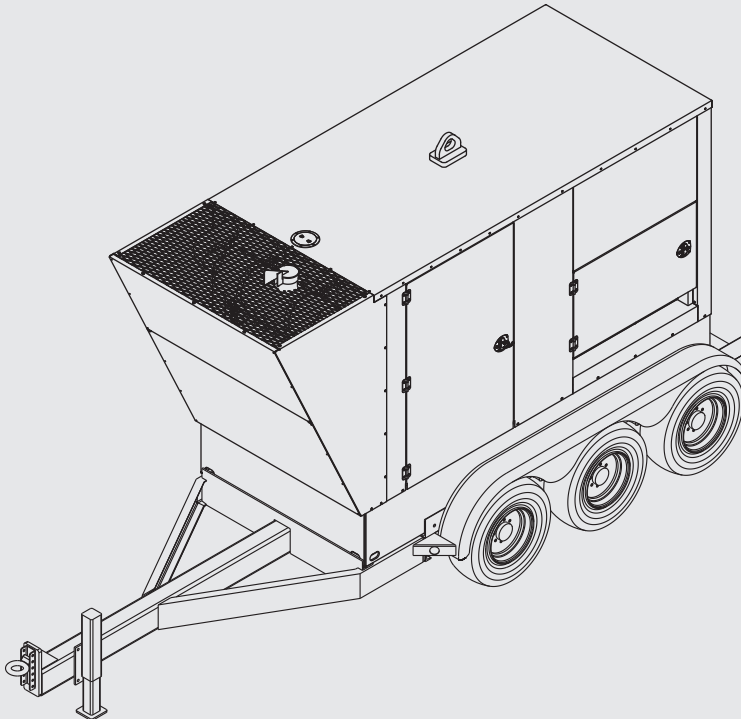




TEREX®

Service & Parts Manual

T360



First Edition
First Printing
Part No. 833019

CLICK HERE TO **DOWNLOAD** THE COMPLETE MANUAL

- Thank you very much for reading the preview of the manual.
- You can download the complete manual from: www.heydownloads.com by clicking the link below



- Please note: If there is no response to CLICKING the link, please download this PDF first and then click on it.

CLICK HERE TO **DOWNLOAD** THE COMPLETE MANUAL



How To Order Parts

Please be prepared with the following information when ordering replacement parts for your TEREX product:

- Machine model number
- Machine serial number
- Terex part number
- Part description and quantity
- Purchase order number
- "Ship to" address
- Desired method of shipment
- Name and telephone number of the authorized TEREX Distributor in your area

TEREX North America

Telephone (803) 324-3011

Toll Free (800) 433-3026 in U.S.A. and Canada

Fax (803) 366-1101

Use the Service Parts Fax Order Form on the next page and fax your order to our Parts Department.

If you don't know the name of your authorized distributor, or if your area is not currently serviced by an authorized distributor, please call TEREX Corporation.

Machine Information

Model

Serial Number

Date of Purchase

Authorized TEREX Distributor

Phone Number



Troubleshooting



Observe and Obey:

- ☑ Troubleshooting and repair procedures shall be completed by a person trained and qualified on the repair of this machine.
- ☑ Immediately tag and remove from service a damaged or malfunctioning machine.
- ☑ Repair any machine damage or malfunction before operating the machine.
- ☑ Unless otherwise specified, perform each repair procedure with the machine in the following configuration:
 - Machine parked on a firm, level surface.
 - Wheels chocked.
 - Toggle switch in "OFF" position.

Before Troubleshooting:

- ☑ Read, understand and obey the safety rules and operating instructions in the appropriate operator's manual on your machine.
- ☑ Be sure that all necessary tools and test equipment are available and ready for use.
- ☑ Be aware of the following hazards and follow generally accepted safe workshop practices.

⚠ DANGER Electrocutation hazard. Exposure to electrically charged circuits could result in death or serious injury. Remove all rings, watches and other jewelry.

⚠ DANGER Electrocutation hazard. Attempting to service the machine before the capacitors are fully discharged will result in death or serious injury.

⚠ DANGER High voltage. Exposure to electrical wires or electrical current will result in death or serious injury. Remove all rings, watches and other jewelry. Turn off all power when not needed for testing. Use extreme caution when working with high voltage electrical components.

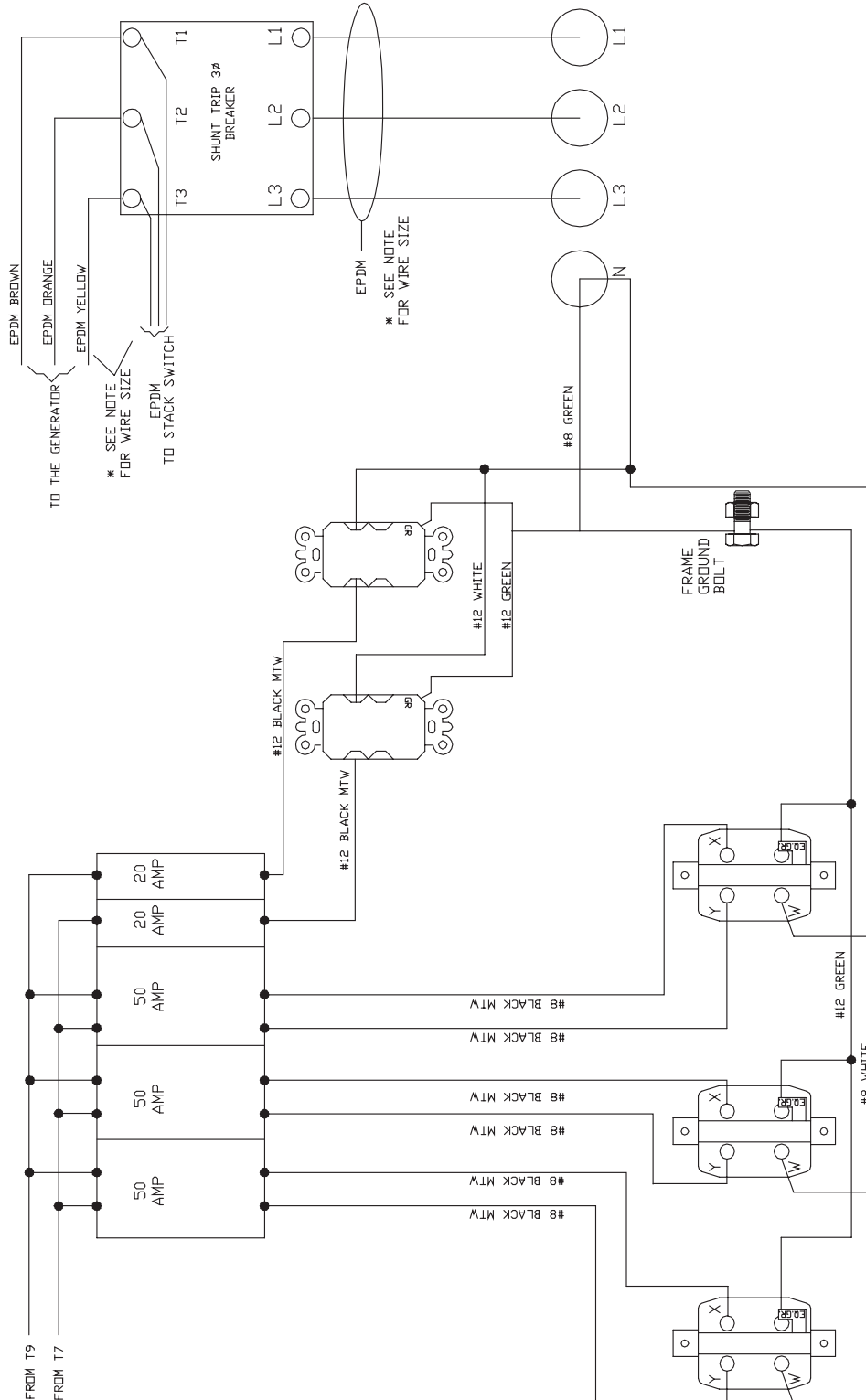
⚠ CAUTION Burn hazard. Contact with hot engine components may cause severe burns. Use caution when working around a hot engine.



Distribution Panel Wiring

for T360 Series Single Phase Control
Drawing #ES100027

REV A





REV A

FIGURE 7-A

ITEM #	PART #	DESCRIPTION	QTY.
1	125190	WELDMENT, LIFTING HOOP	1
2	981635	SCREW, 1/2-13 NC X 1HHC, GR5, ZP	12
3	991650	WASHER, LOCK 1/2"	40
4	C33600300	MOUNT, VIBRATION, YELLOW	6
5	990820	SCREW, 1/2-13 NC X 2 HHC, GR 8, Y-ZINC	4
6	981660	SCREW, 1/2-13 NC X 1-1/2 HHC, GRADE 5, ZP	30
7	990210	WASHER, FLAT 1/2"	30
8	895371	VALVE VACCUUM RELIEF 1/4"	1
9	792750	CLAMP 7/16 TO 25/32 W/LINER	3
10	890796	HOSE, FUEL, 5/8", BLACK	4
11	C91001300	FITTING, BARB, 3/8" NPT 1/4" HB	1
12	892915	PIPE, ELBOW, STREET 90*, 1/2 M X F BRASS	1
13	C90700800	ADAPTER, 1/2"X1/4" REDUCER	1
14	C90200300	BARB, 3/8" X 1/4" NPT, 90 DEGREE	1
15	C91100700	HOSE, FUEL, 3/8"	4
16	C90200600	BARB, 3/8" X 1/4" NPT	1
17	C90800200	VALVE, NEEDLE, 1/4" FPT X 1/4" FPT	1
18	125064	TANK, FUEL, 428 GAL	1
19	C90900601	PLUG, PIPE, 3", SQUARE HEAD	1
20	125062	BASE, WELDMENT, 500 GAL CONTAIN	1
21	993890	WASHER, LOCK 5/8"	8
22	C15309	SCREW, HEX CAP, 5/8-11" X 1.5", KEG Y ZINC, GR8	8
23	C91100300	NYLON TUBING - CUT TO PROPER LENGTH	2
24	C90200400	FITTING, PICKUP	1
25	C90200250	BARB, 1/4" MNPT 1/2" ID HOSE	1
26	C90101500	CLAMP, 11/16" X 1-1/4"	2
27	890787	HOSE, FUEL, 1/2" ID	12
28	796151	CAP, FUEL	1
29	C43200601	SENDER, FUEL LEVEL, VDO	1
30	990200	NUT, LOCK NYLON INSERT, 1/2-13NC, GR 2, ZPIN	2
31	125361	WELDMENT, GENERATOR MOUNT, FRONT	1
32	125362	WELDMENT, GENERATOR MOUNT, REAR	1
33	125360	WELDMENT, ENGINE MOUNT BEAM	2
34	125055	FRONT MOTOR MOUNT, CUMMINS QSM	1
35	125268	BATTERY SUPPORT FORMING	1
36	125436	HOSE END BARBED, 90 DEGREE	1



REV A

FIGURE 8-B

ITEM #	PART #	DESCRIPTION	QTY.
1	GUU401100	TRIMLOCK SEAL 7/16"	AR
2	CU54T021	WINDOW, CONTROL DOOR	1
3	C74100100	GASKET, WINDOW, CONTROL DOOR	5
4	125084	FORMING, CONTROL PANEL DOOR	1
5	C71100500	FOAM BLACK URETHANE 1"	AR
6	24514	LITERATURE BOX	1
7	C71014	FLAT WASHER 11/16" OD	4
8	990150	NUT, LOCK NYLON INSERT, 1/4-20NC, GR 2, ZP	4
9	C74419	SCREW, CARRIAGE, 1/4-20 X .75 STAINLESS STEEL	4
10	125540	WELDMENT, ACCESS DOOR, RIGHT	1
11	990670	RIVET, POP 3/16 X 1/2, S/S BLIND RIVET	4
12	C51200000	LATCH, BLACK, KEY LOCK, ADJ T-HANDLE	4
13	125185	FORMING, DISTRIBUTION PANEL DOOR	1
14	125541	WELDMENT, ACCESS DOOR, LEFT	1
15	125483	STOP, DOOR, RUBBER W/WASHER	2
16	C41135000	RIVET, POP, 1/4" X 1/2"	2
17	C21353	CARRIAGE BOLT, 3/8-16 X 3/4	40
18	981120	WASHER, FLAT, 3/8	40
19	990170	NUT, LOCK NYLON INSERT 3/8-16NC, GR 2, ZPN	40
20	794890	HINGE, STAINLESS STEEL, BLACK COATED	10



REV A

FIGURE 10-A

ITEM #	PART #	DESCRIPTION	QTY.
1	993422	SCREW, FLANGE 1/4-20 X .75	8
2	993850	WASHER ,FLAT 1/4"	4
3	C51601441	NUT, FLANGE, 1/4"-20	8
4	125198	FORMING, COVER, STACK SWITCH	1
5	125265	FORMING, STACK SWITCH STRUT	2
6	125263	FORMING, STACK SWITCH REAR MOUNT	1
7	125058	SWITCH, STACK, 3POSITION	1
8	C42200701	SWITCH, SNAP-ACTION	1
9	C42200702	PLUNGER (ACTUATOR)	1
10	125075	WELDMENT, DISTRIBUTION BOX	1
11	125180	WELDMENT, CAM LOCK PANEL	1
12	125442	PANEL, DISTRIBUTION, J SERIES	1
13	C42501500	CONNECTOR, CAM-LOCK, WHITE	3
14	C42501600	CONNECTOR, CAM-LOCK, RED	3
15	C42501700	CONNECTOR, CAM-LOCK, BLUE	3
16	C42501800	CONNECTOR, CAM-LOCK, BLACK	3
17	C42501900	CONNECTOR, CAM-LOCK, GREEN	3
18	125421	DISTRIBUTION BOARD COMPLETE ASSEMBLY	1
19	852255	DECAL: 3PHASE DISTRIBUTION PANEL	1
20	R980195	SCREW, 1/4-20NC X 3/4 BUTTON HEAD,1 8-8 S/S	9
21	990400	WASHER, LOCK, 1/4"	9
22	C71014	WASHER, FLAT, 1/4"	9
23	C94903	SCREW, 3/8-16 X 1 1/4, Z	4
24	990470	WASHER, LOCK, 3/8"	4
25	R980015	WASHER, FLAT, 3/8"	4
26	981165	NUT, COUPLING, 3/8-16NC X 1-3/4 HEX, ZP	4
27	CU51A400	DECAL: L1, L2, L3, N	1
28	851820	DECAL: SYMBOL FOR GROUND	1
29	981660	SCREW, 1/2-13NC X 1-1/2 HHC, GRADE 5, ZP	23
30	C75240	WASHER, LOCK, 1/2"	45
31	C74967	HEX NUT, 1/2-13, SBZ	15
32	R980820	SCREW, #10-32NF X 7/8" LG	60
33	R980275	NUT, LOCK NYLON INSERT, #10-32NF,18-8 S/S	60
34	981635	SCREW, 1/2-13NC X 1HHC, GR5, ZP	20
35	125492	GROUND STRAP	1
36	125423	BUSS BAR	5
37	125565	STANDOFF ISOLATOR	10
38	125422	DISTRIBUTION BOARD ONLY	1
39	995970	WASHER, LOCK STAR, 1/2 EXT.TOOTH, S/S	3

CLICK HERE TO **DOWNLOAD** THE COMPLETE MANUAL

- Thank you very much for reading the preview of the manual.
- You can download the complete manual from: www.heydownloads.com by clicking the link below



- Please note: If there is no response to CLICKING the link, please download this PDF first and then click on it.

CLICK HERE TO **DOWNLOAD** THE COMPLETE MANUAL