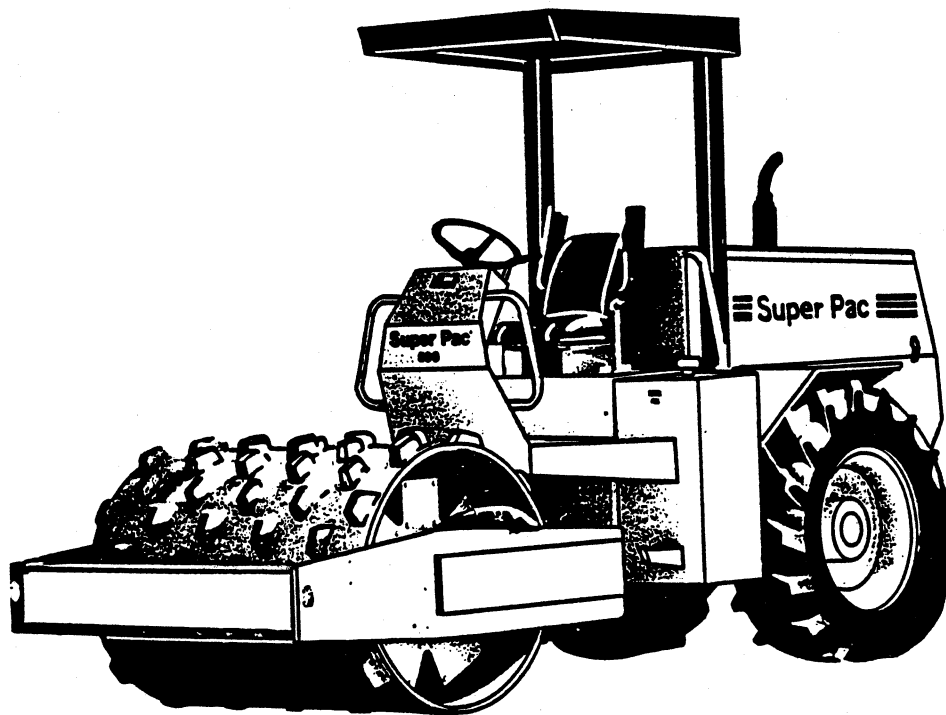




INSTRUCTION MANUAL SERVICE PARTS LIST



SuperPac[®] 600 / 600P

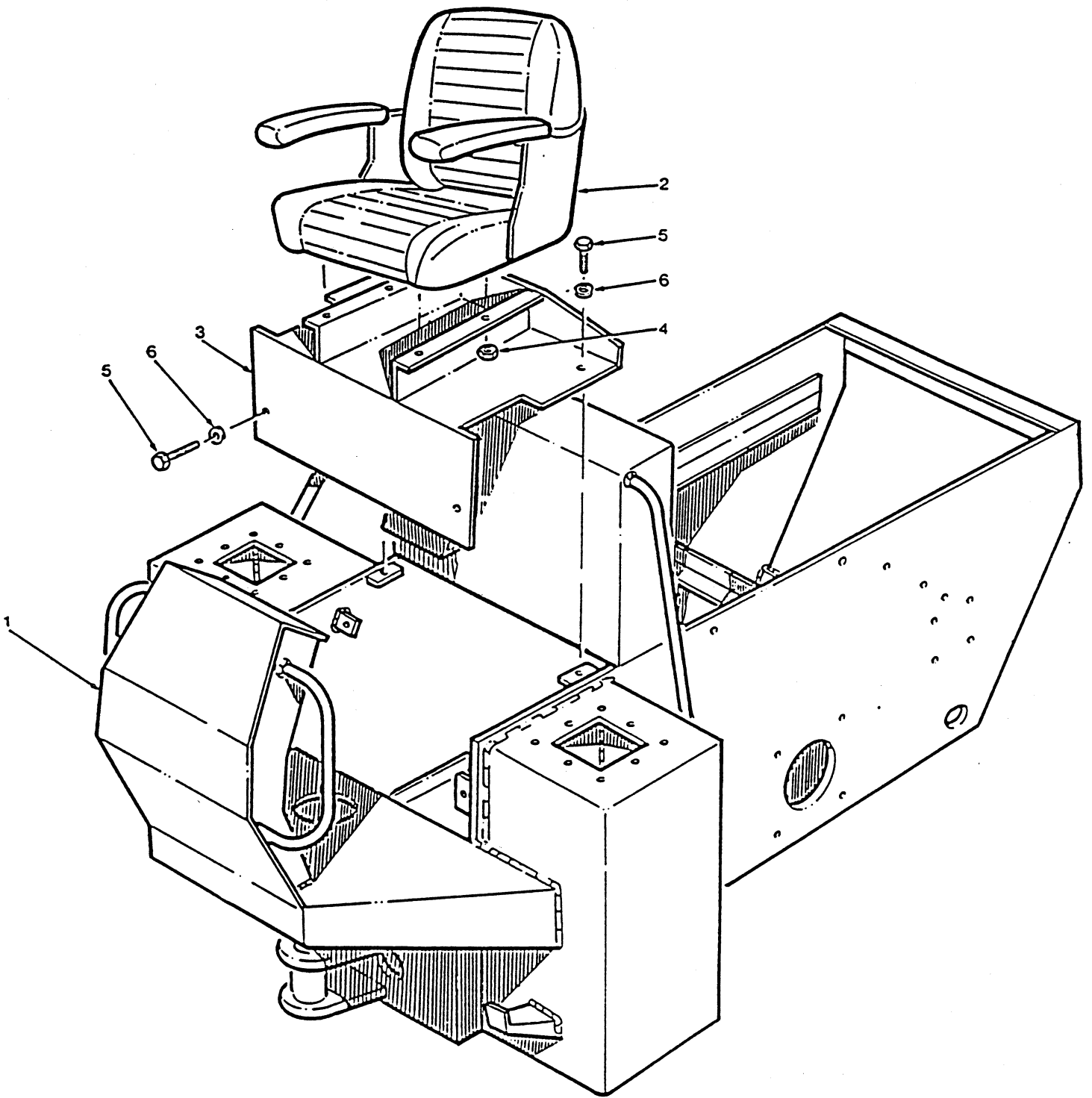
CLICK HERE TO **DOWNLOAD** THE COMPLETE MANUAL

- Thank you very much for reading the preview of the manual.
- You can download the complete manual from: www.heydownloads.com by clicking the link below

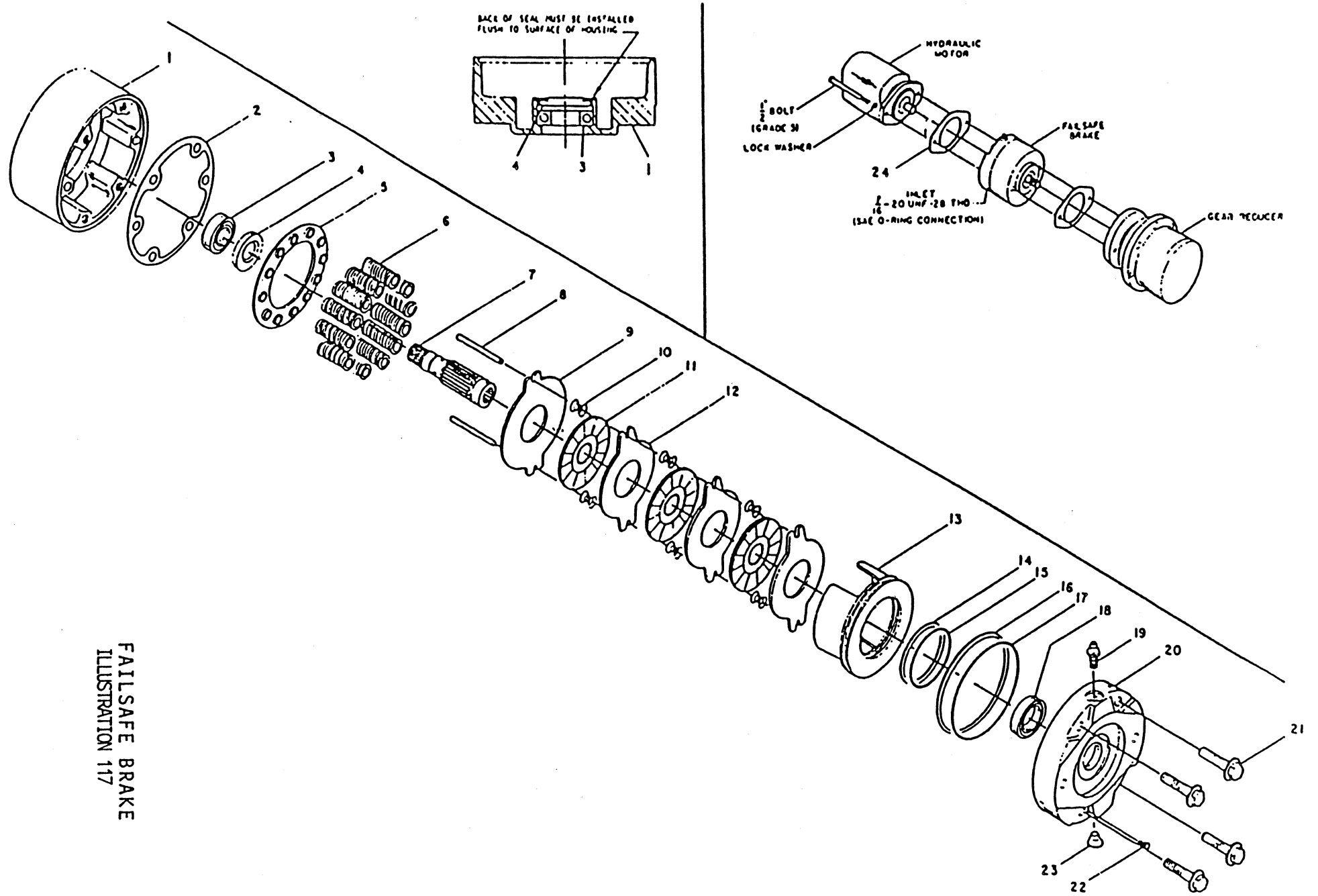


- Please note: If there is no response to CLICKING the link, please download this PDF first and then click on it.

CLICK HERE TO **DOWNLOAD** THE COMPLETE MANUAL



REAR FRAME AND SEAT INSTALLATION
ILLUSTRATION 100



FAILSAFE BRAKE
 ILLUSTRATION 117

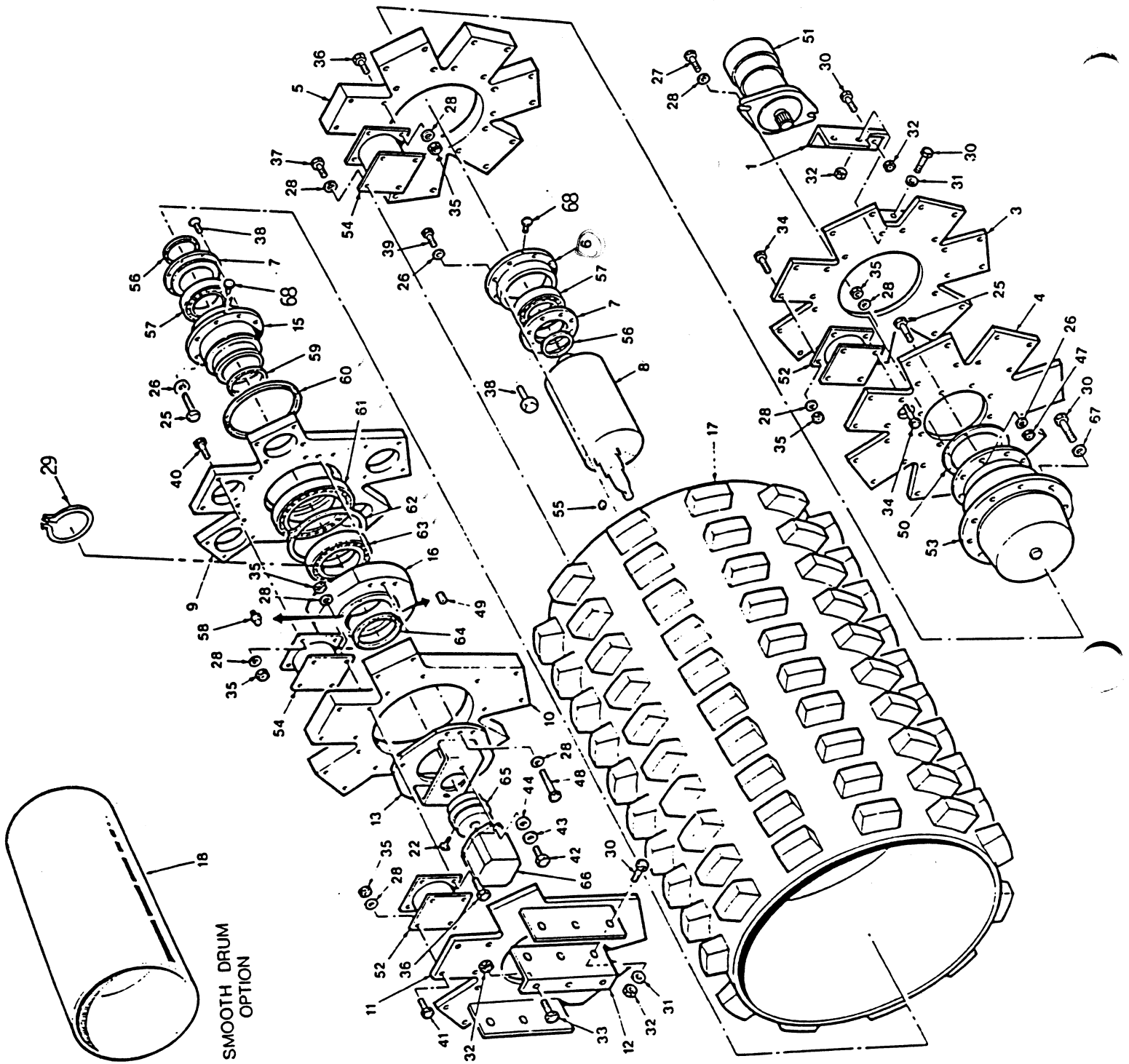
CLICK HERE TO **DOWNLOAD** THE COMPLETE MANUAL

- Thank you very much for reading the preview of the manual.
- You can download the complete manual from: www.heydownloads.com by clicking the link below

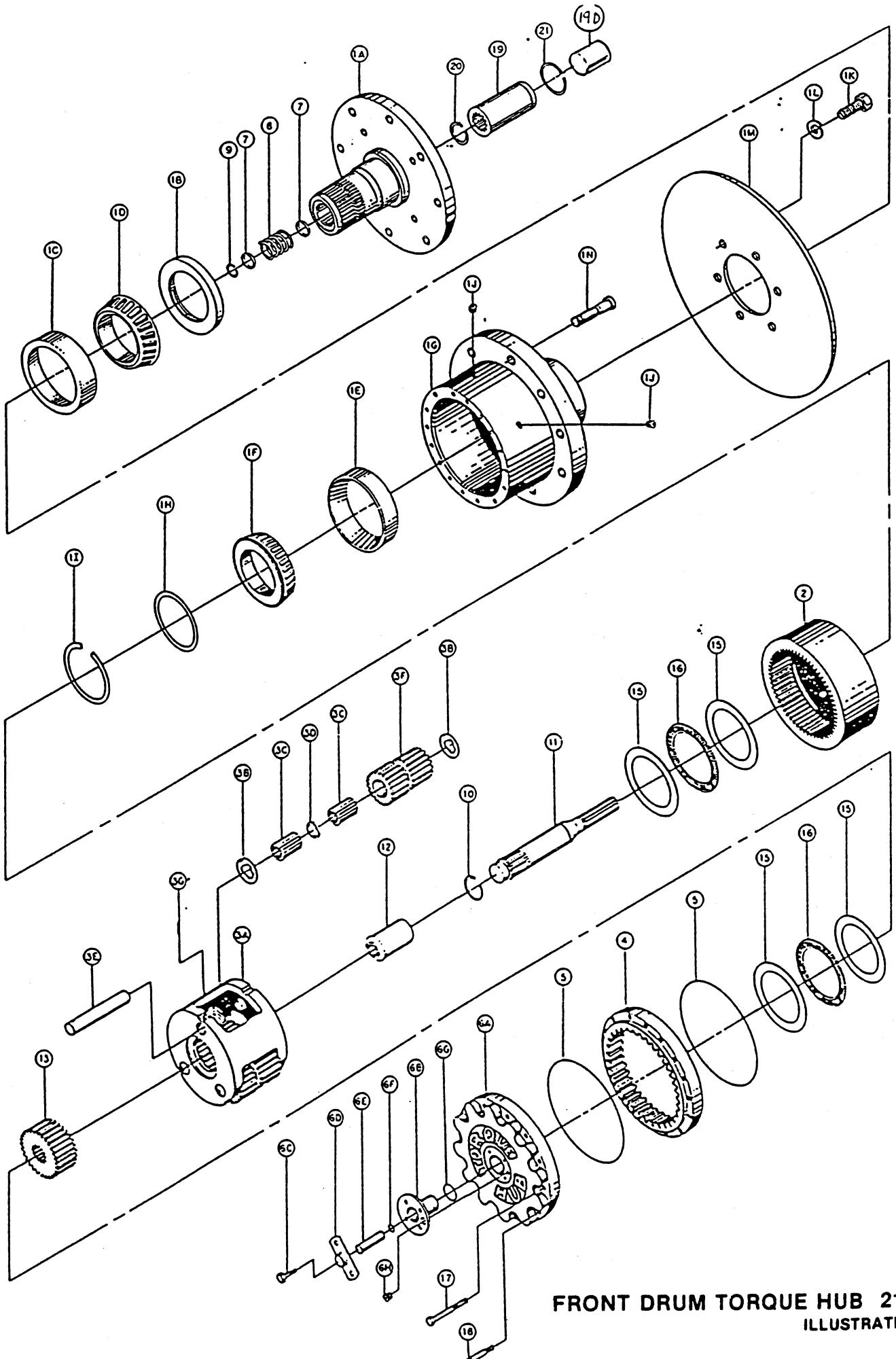


- Please note: If there is no response to CLICKING the link, please download this PDF first and then click on it.

CLICK HERE TO **DOWNLOAD** THE COMPLETE MANUAL

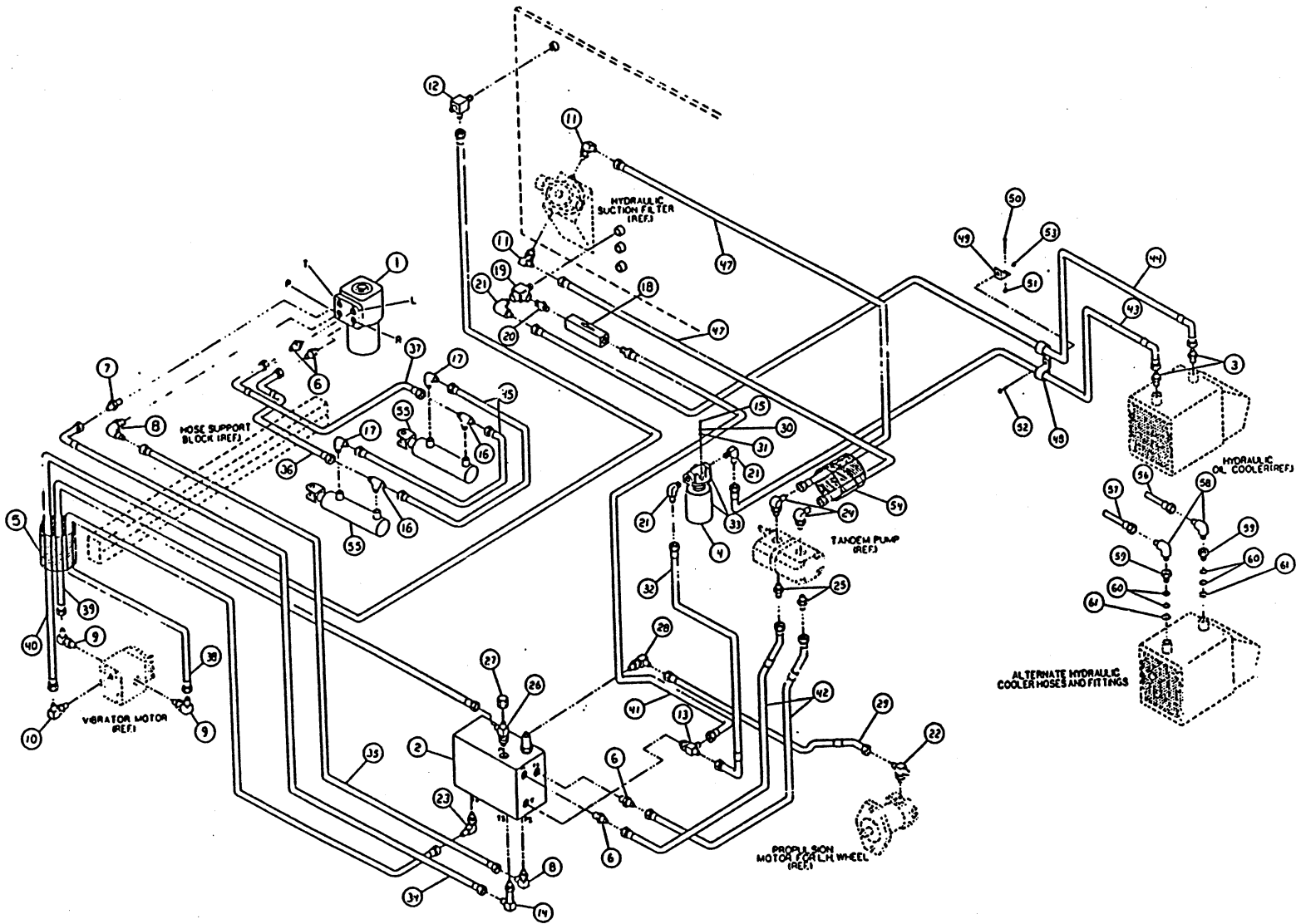


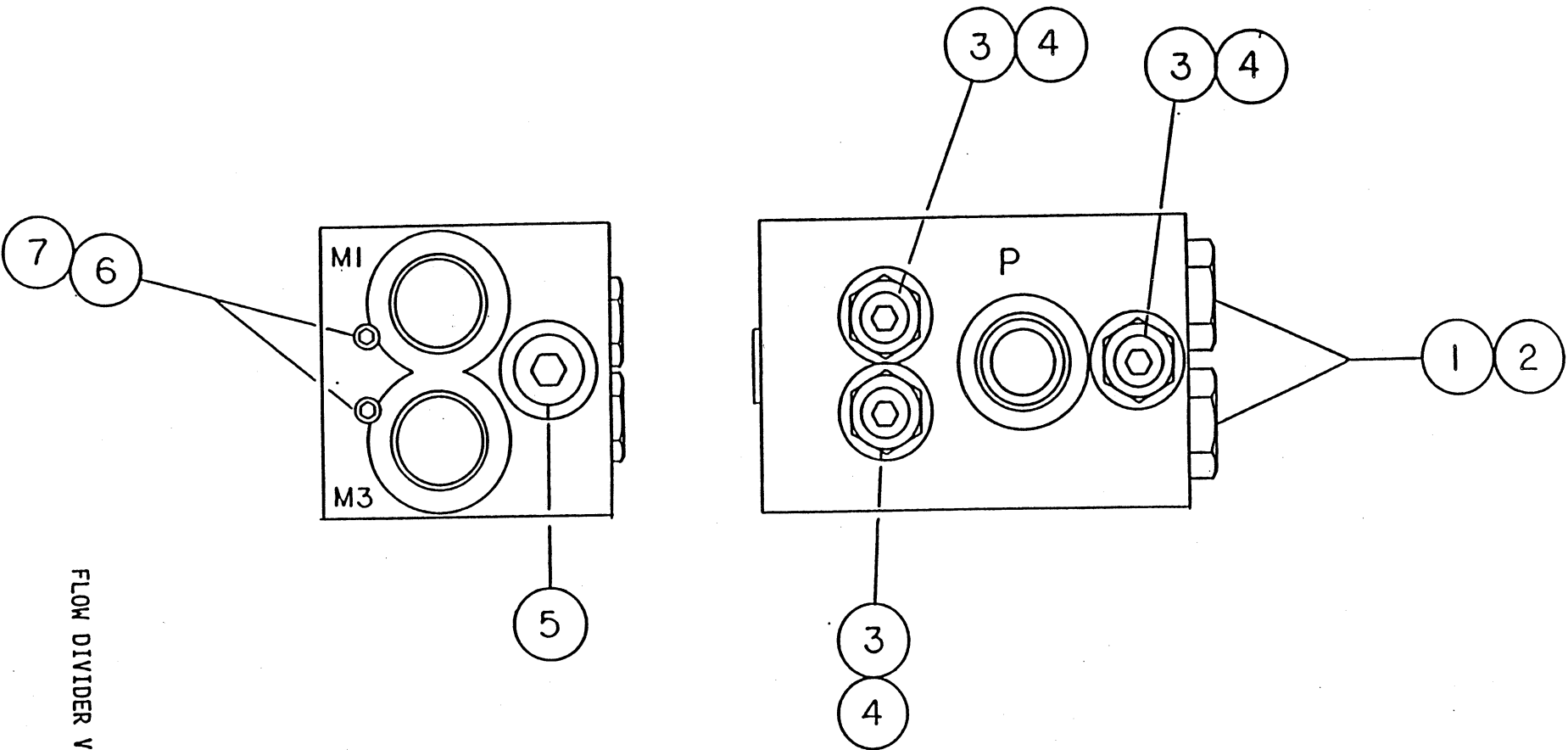
DRUM ASSEMBLY
 ILLUSTRATION 107



FRONT DRUM TORQUE HUB 2114
ILLUSTRATION 118

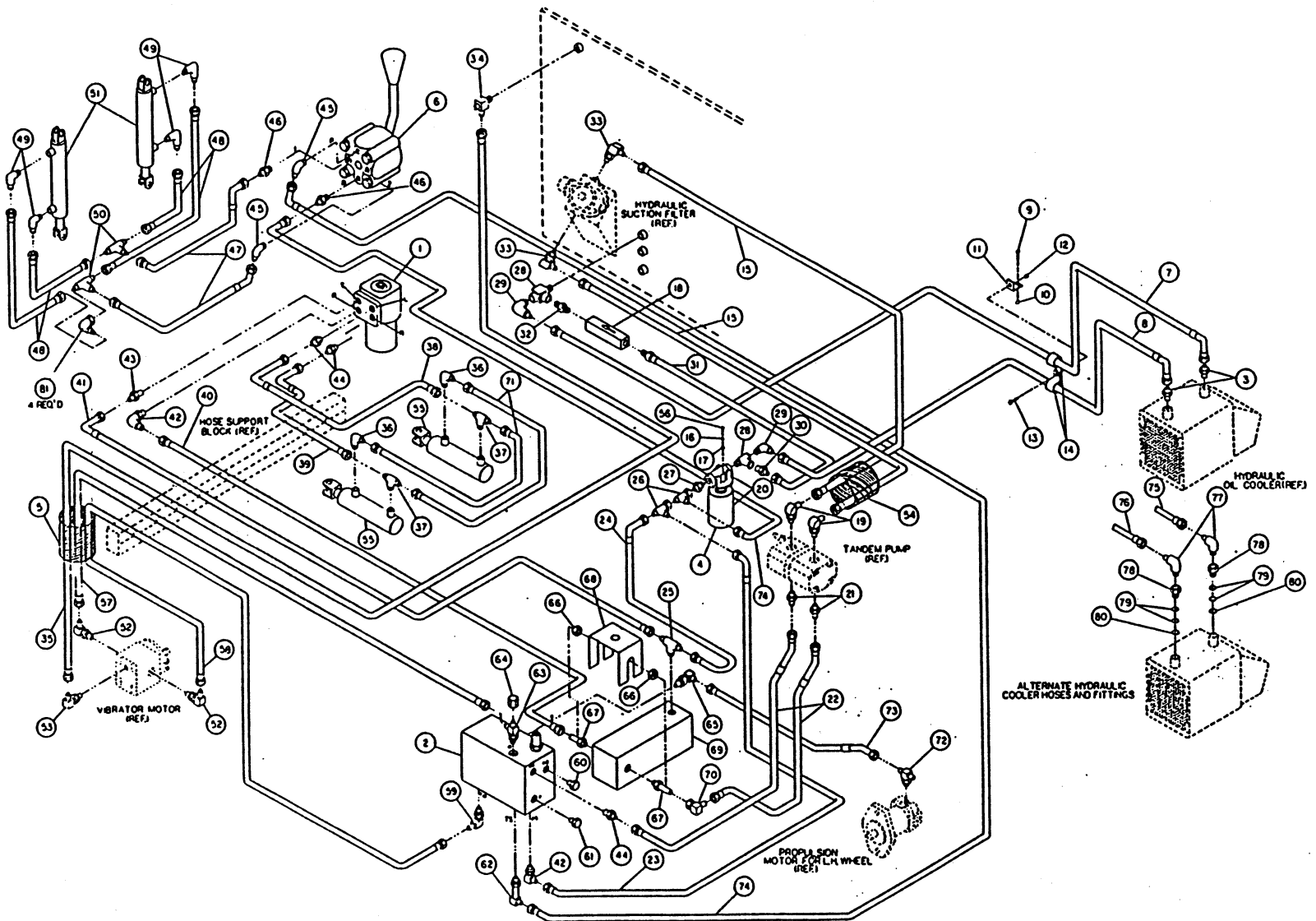
STEERING & VIBRATION
 HYDRAULICS (UNITS WITHOUT
 LEVELLING BLADE)

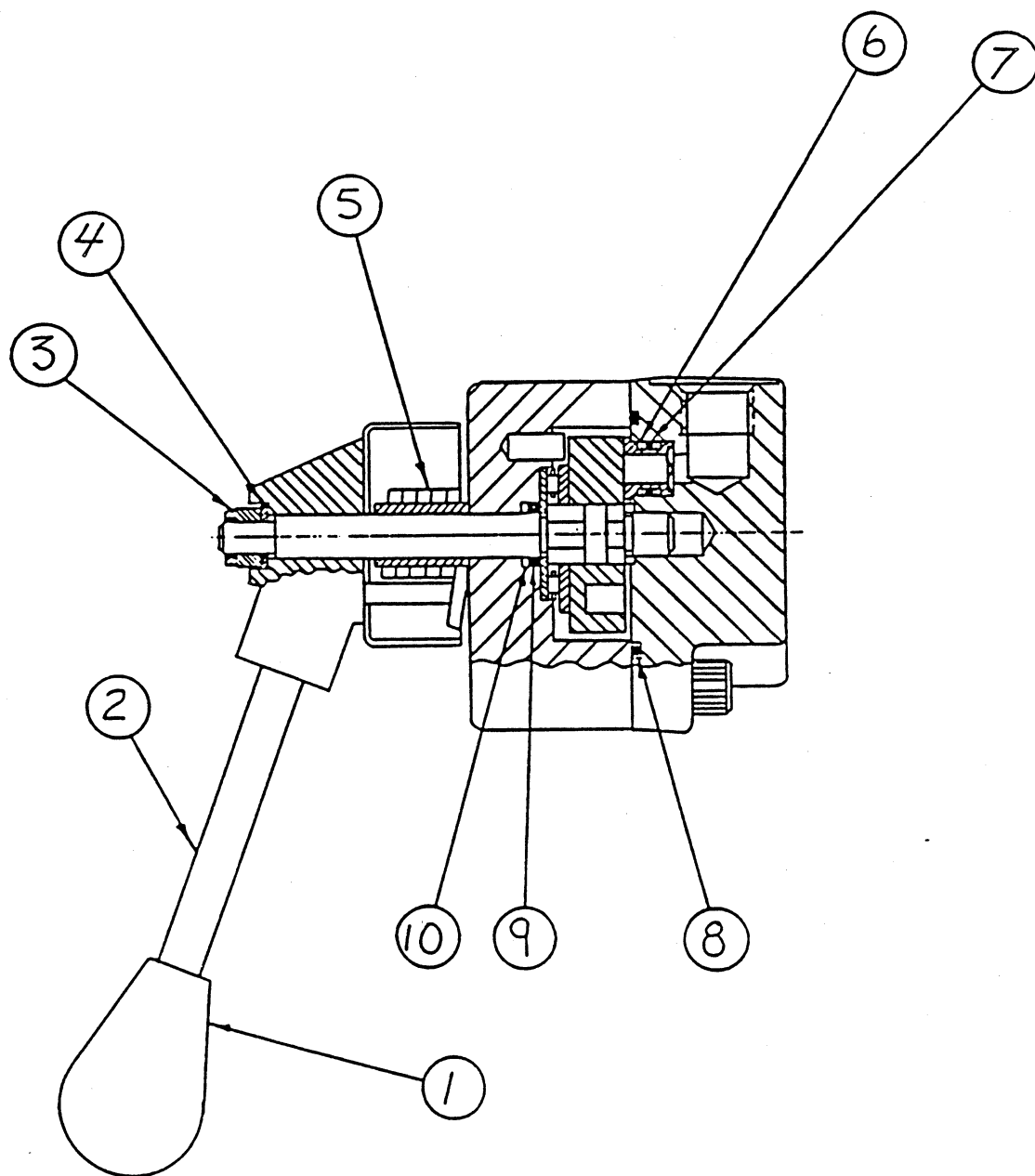




FLOW DIVIDER VALVE ASSEMBLY

STEERING, VIBRATION AND
 LEVELLING BLADE HYDRAULICS
 (UNITS WITH LEVELLING BLADE)





LEVELLING BLADE CONTROL VALVE

CLICK HERE TO **DOWNLOAD** THE COMPLETE MANUAL

- Thank you very much for reading the preview of the manual.
- You can download the complete manual from: www.heydownloads.com by clicking the link below



- Please note: If there is no response to CLICKING the link, please download this PDF first and then click on it.

CLICK HERE TO **DOWNLOAD** THE COMPLETE MANUAL