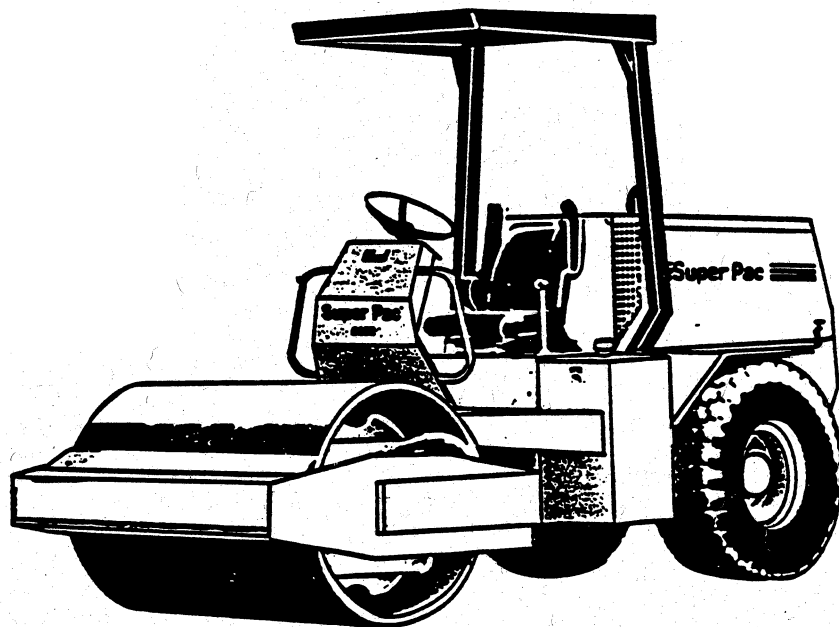


SUPERPAC ROLLERS

**INSTRUCTION MANUAL
SERVICE PARTS LIST**



SuperPac[®]

540C / 540PC

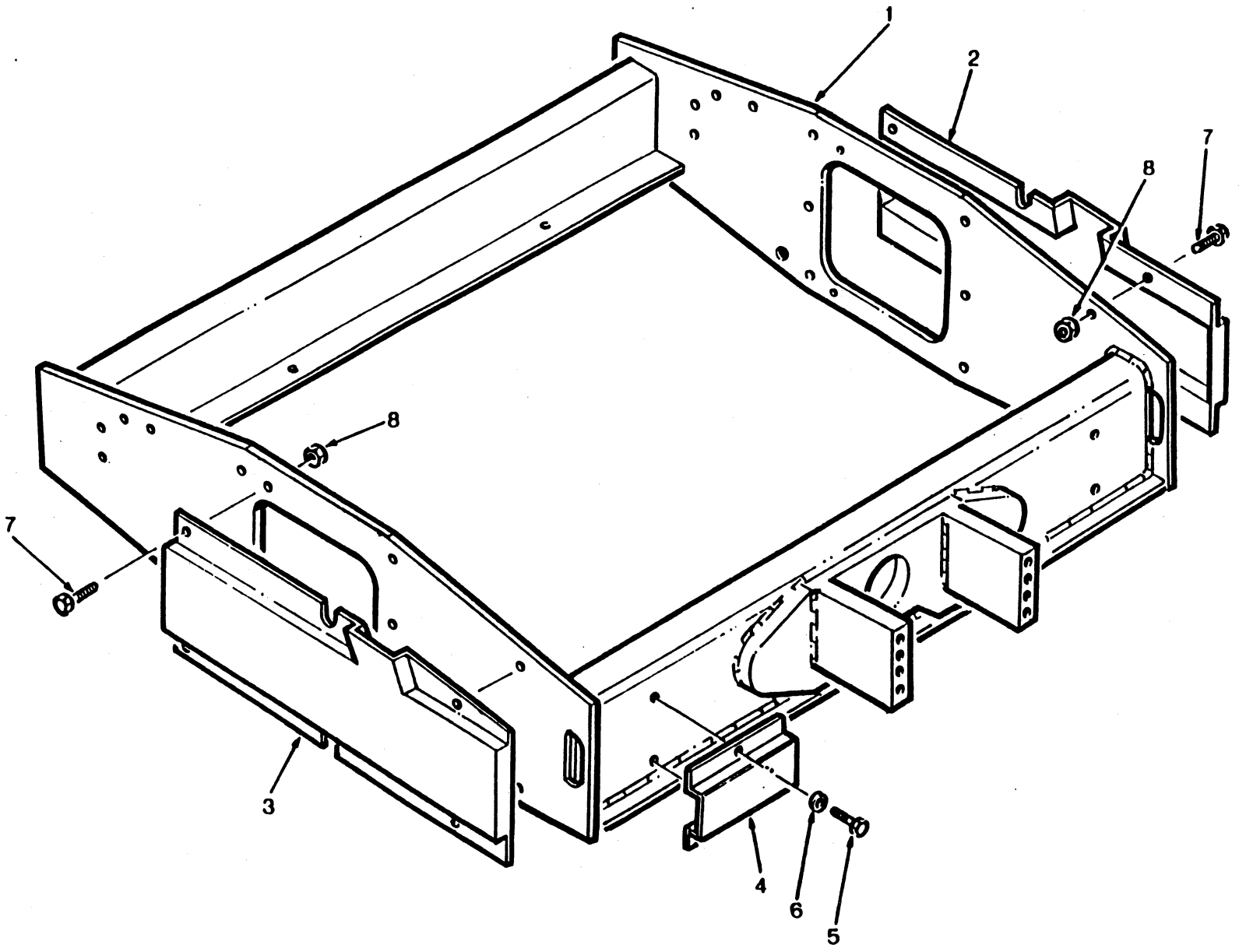
CLICK HERE TO **DOWNLOAD** THE COMPLETE MANUAL

- Thank you very much for reading the preview of the manual.
- You can download the complete manual from: www.heydownloads.com by clicking the link below

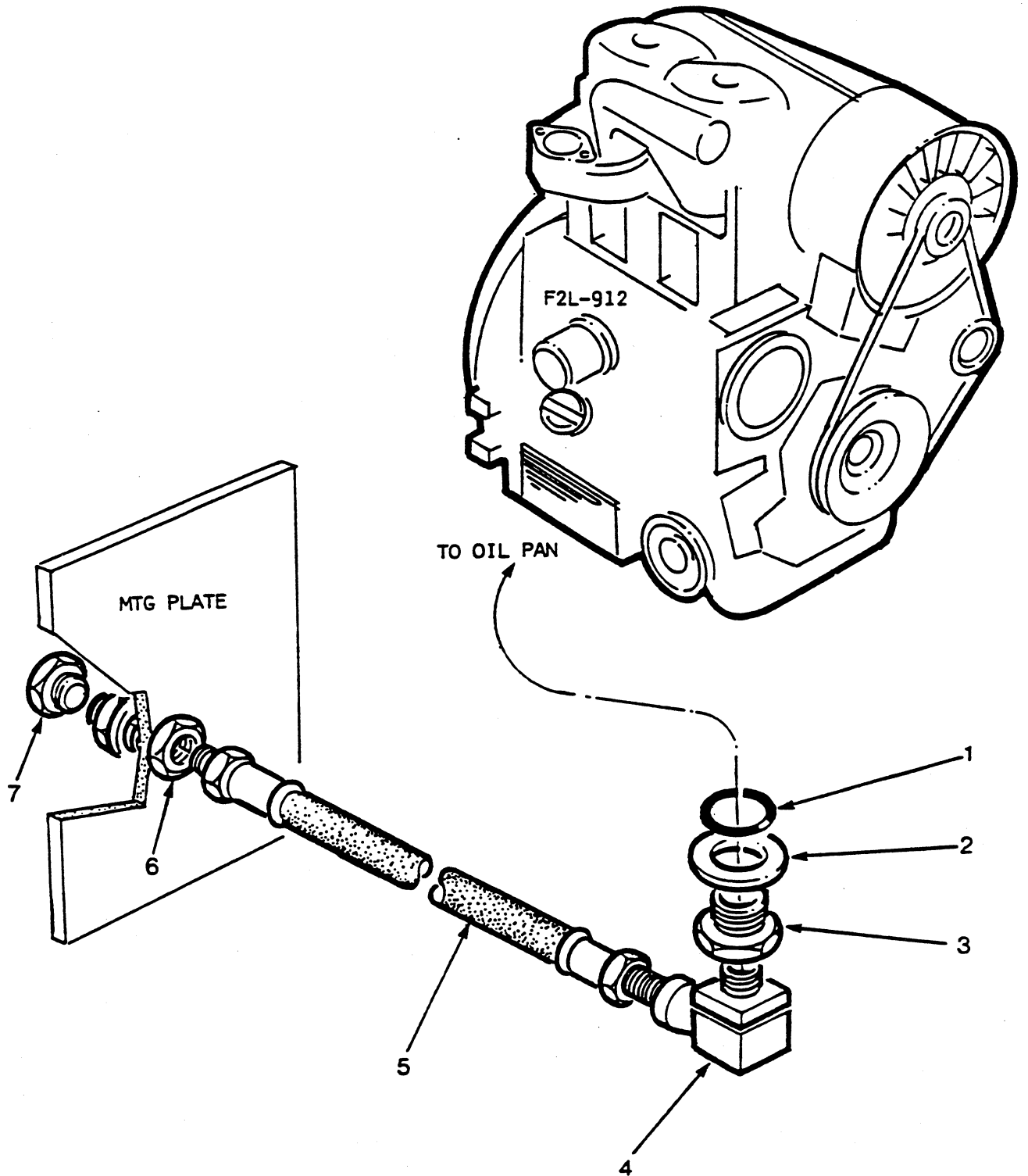


- Please note: If there is no response to CLICKING the link, please download this PDF first and then click on it.

CLICK HERE TO **DOWNLOAD** THE COMPLETE MANUAL

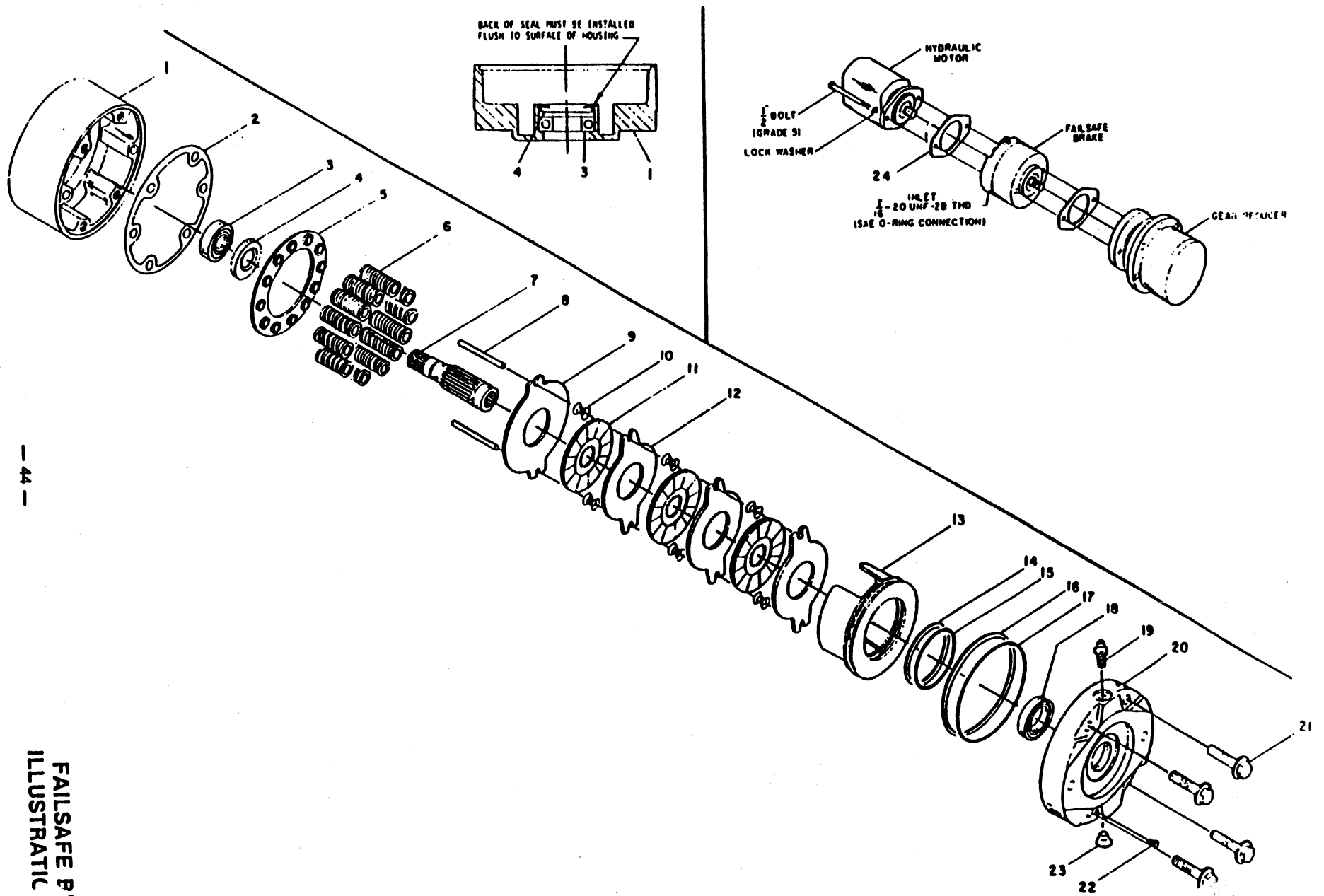


FRONT FRAME and
COVERS ILLUSTRATION



OIL DRAIN KIT
#3031-A

ILLUSTRATION



CLICK HERE TO **DOWNLOAD** THE COMPLETE MANUAL

- Thank you very much for reading the preview of the manual.
- You can download the complete manual from: www.heydownloads.com by clicking the link below



- Please note: If there is no response to CLICKING the link, please download this PDF first and then click on it.

CLICK HERE TO **DOWNLOAD** THE COMPLETE MANUAL

Drive Motor PN 804

Index #	Part #	QTY
A	201681	1
3102	201663	1
3103	201663	1
3104	201664	1
3105	201665	2
3106	202009	1
3111	201667	1
3113	201669	1
3114	201670	1
3115	201671	1
3116	201672	4
3201	201637	1
3301	201682	1
3401	201678	1
3601	201679	1

CLICK HERE TO **DOWNLOAD** THE COMPLETE MANUAL

- Thank you very much for reading the preview of the manual.
- You can download the complete manual from: www.heydownloads.com by clicking the link below



- Please note: If there is no response to CLICKING the link, please download this PDF first and then click on it.

CLICK HERE TO **DOWNLOAD** THE COMPLETE MANUAL