

Service Parts

Engine

Engine Models:

John Deere TO4039D

4039TL

CD4039DF

CD4039TF

4045DF

4045TF

Generator Models:

20-40ROZJ/REOZJ

20-40DSJ/DSEJ

50/60ROZJ serial nos. 257821 and above

50/60REOZJ/REOZJB

50/60DSJ/DSEJ/DSEJB

80REOZJB

80DSEJB

CLICK HERE TO **DOWNLOAD** THE COMPLETE MANUAL

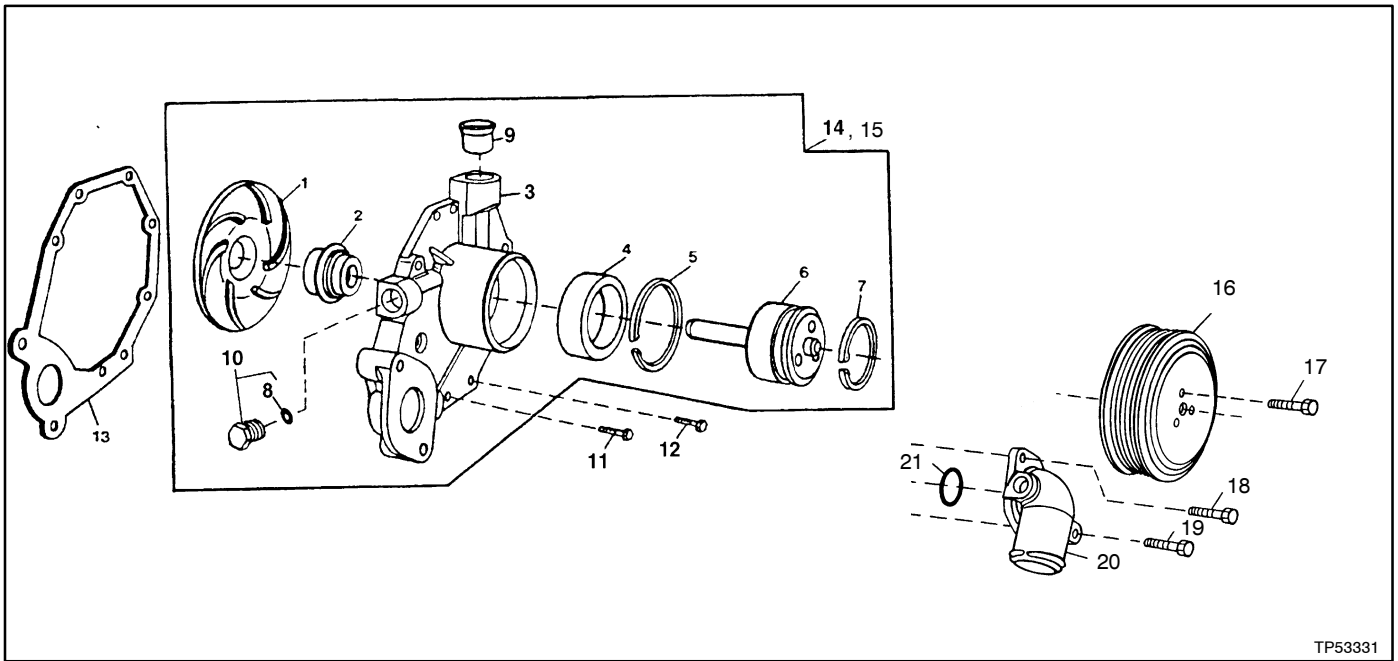
- Thank you very much for reading the preview of the manual.
- You can download the complete manual from: www.heydownloads.com by clicking the link below



- Please note: If there is no response to CLICKING the link, please download this PDF first and then click on it.

CLICK HERE TO **DOWNLOAD** THE COMPLETE MANUAL

Group 2a: Water Pump



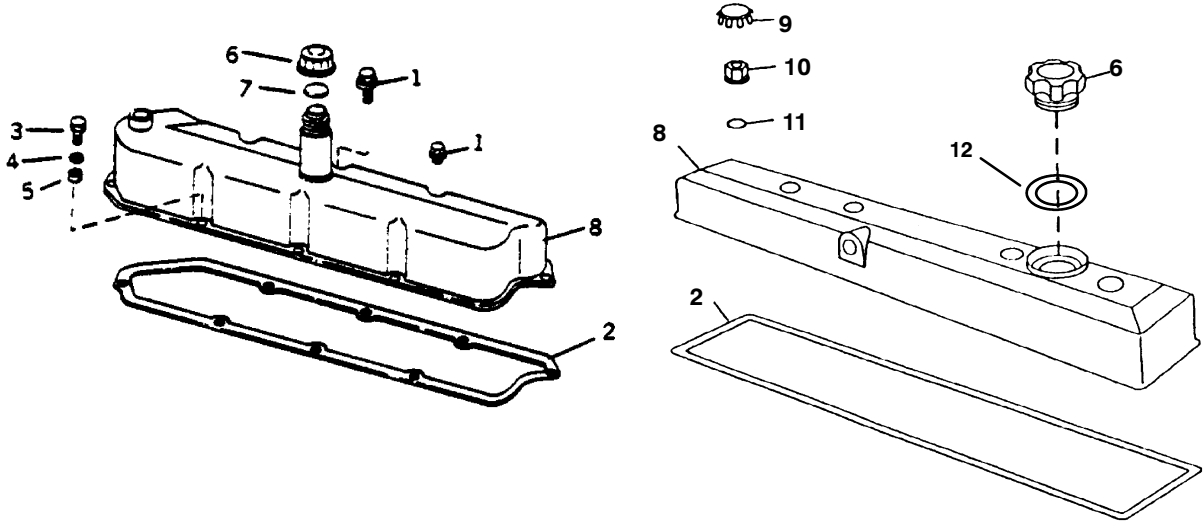
TP53331

Item	Part Number	Description	Quantity			
			Variation Number			
			4401	5702	2001	2002
1	X	Impeller	1			
2	X	Seal	1			
3	X	Housing	1			
4	X	Bearing, ball	1			
5	X	Ring	1			
6	X	Shaft	1			
7	360003	Ring, snap	1			
8	360176	O-ring	1			
9	360116	Seal	1			
10	360014	Plug	1			
11	#	Screw, M6 x 30	3			
12	#	Screw, M6 x 25	5			
13	360124	Gasket	1			
14	GM29383	Pump, water	1			
15	360061	Kit, water pump repair (includes items 1-7, 9)	1			
16	360085	Pulley, water pump			1	
16	360559	Pulley, water pump				1
17	#	Screw, M6 x 12			3	3
18	#	Screw, M8 x 25		1		
19	#	Screw, M8 x 65		1		
20	360109	Adapter, water pump		1		
21	224172	O-ring		1		

Common hardware, procure locally.

X Item not sold separately.

Group 4c: Rocker Arm Cover



Reproduced by permission of Deere & Company.
 © 1988 Deere & Company. All rights reserved.

T49114F

Item	Part Number	Description	Quantity		
			Variation Number 1	Variation Number 2	1101
1	#	Screw, w/washer	8	8	
2	223508	Gasket	1		
2	336434	Gasket		1	
2	360585	Gasket			1
3	#	Screw, 1/4-20 x 7/8 in.	1		
4	#	Washer, lock, 1/4 in.	1		
5	224278	Washer	1		
6	223630	Cap	1		
6	336435	Cap		1	
6	360018	Cap			1
7	223636	Gasket	1		
8	223444	Cover	1		
8	336433	Cover		1	
8	360507	Cover			1
9	360004	Plug		4	
10	360138	Nut		4	
11	360139	O-ring		4	
12	360508	Packing		1	

Common hardware, procure locally.

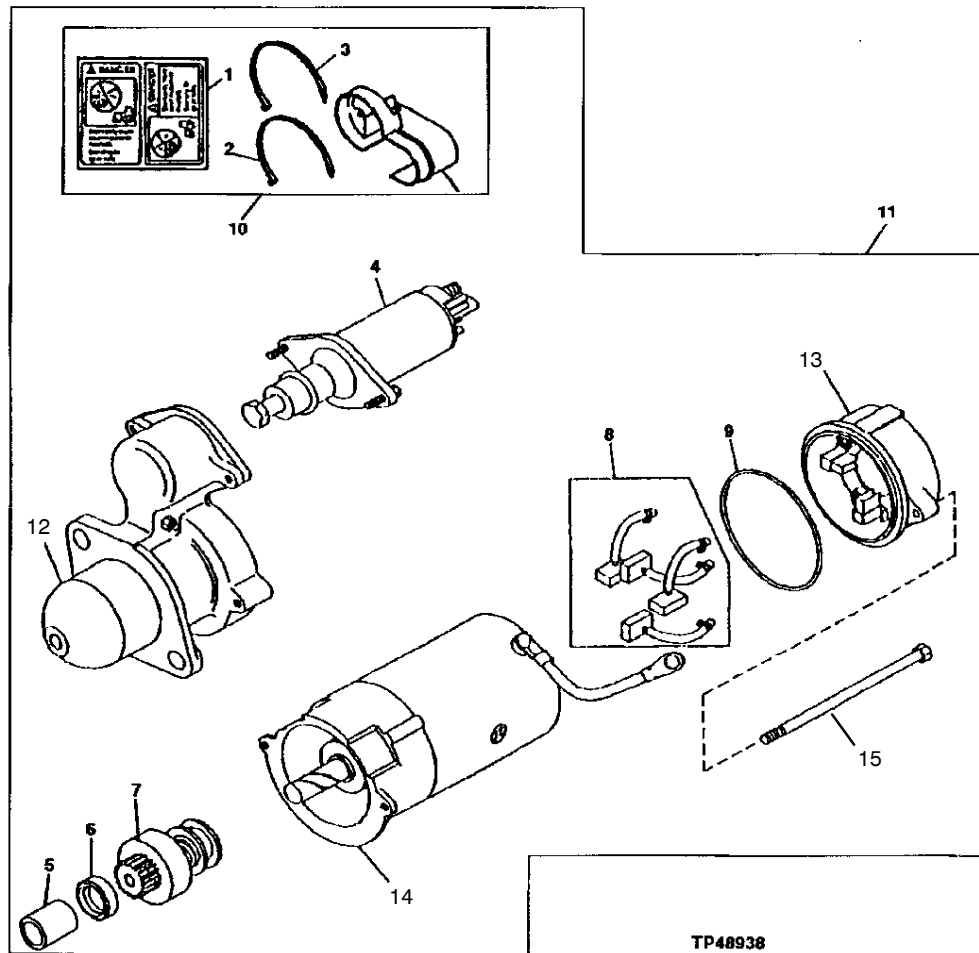
Group 7: Cylinder Block, continued

Item	Part Number	Description	Quantity	
			Variation Number	
			4601	4602
1	223472	Pin, dowel	2	2
2	#	Cap	2	2
3	X	Block, cylinder (order short block)	1	1
4	233802	Plug, pipe	1	1
5	224268	Plug, pipe	5	5
6	352246	Bushing, camshaft	1	1
7	360154	Plate	1	1
8	#	Screw, M8 x 25	2	2
9	360103	Valve, engine oil bypass	1	1
10	360080	Spring	1	1
11	360518	Bushing, oil pressure regulating	1	1
12	360519	Bushing, balancer shaft	6	6
13	352064	Pin, dowel	2	2
14	#	Plug, pipe	1	1
15	360087	Bushing	1	1
16	223512	O-ring	1	1
17	360084	Cap, bearing	4	4
18	224089	Washer	10	10
19	223639	Screw	10	10
20	360151	Cap, bearing	1	1
21	360146	Orifice	4	4
22	223462	Plug, drain	2	2
23	223988	O-ring	2	2
24	360173	Gasket (plastic gasket)	1	1
25	360093	Plug	1	1
26	#	Plug, pipe, 1/2 in.	1	1
27	223435	Plug, drain	1	1

Common hardware, procure locally.

X Item not sold separately.

Group 11b: Starter Motor Components, continued



TP48938

Reproduced by permission of Deere & Company.
© 1988 Deere & Company. All rights reserved.

TP48938

Item	Part Number	Description	Quantity	
			3004	3009
1	X	Label	1	1
2	X	Tie	1	1
3	X	Tie	1	1
4	360566	Switch, solenoid	1	
4	360573	Switch, solenoid		1
5	360567	Bushing	1	1
6	360568	Stop	1	1
7	360569	Bendix Drive	1	
7	360574	Bendix Drive		1
8	360570	Brush kit	1	
8	360575	Brush kit		1
9	360571	O-ring	1	1
10	360572	Kit, solenoid protection	1	1
11	360564	Starter	1	
11	360469	Starter (24 V)		1
12	X	Housing	1	1
13	X	Frame	1	1
14	X	Yoke	1	1
15	X	Screw	1	1

X Item not sold separately.

Group 15: Fuel Filter, continued

Item	Part Number	Description	Quantity
			Variation Number 1
1	#	Screw, 5/16-18 x 3/4 in.	1
2	223492	Strap	1
3	224298	Line, fuel; filter to injection pump	1
4	#	Screw, 3/8-16 x 7/8 in.	3
5	222762	Fitting, elbow	3
6	223456	O-ring	1
7	224010	Washer	2
8	223467	Plug, drain	1
9	223534	Fitting, elbow	1
10	224296	Line, fuel; transfer pump to filter	1
11	223534	Fitting, elbow	1
12	223505	Clamp	1
13	223414	Filter, fuel, square*	1
14	#	Washer, 13/32 x 23/32 x 0.120 in.	2
15	#	Plug, pipe, 1/8 NPT	1
16	223413	Housing	1
17	223646	Fitting, hose	1
18	#	Nut, 5/16-18	1
19	#	Washer, lock, 5/16 in.	1
20	#	Washer, 13/32 x 11/16 x .06 in.	1
21	223655	Clamp	1
22	#	Washer, lock, 3/8 in.	1
24	223457	Fitting	1
25	224297	Line, fuel	1

#Common hardware, procure locally.

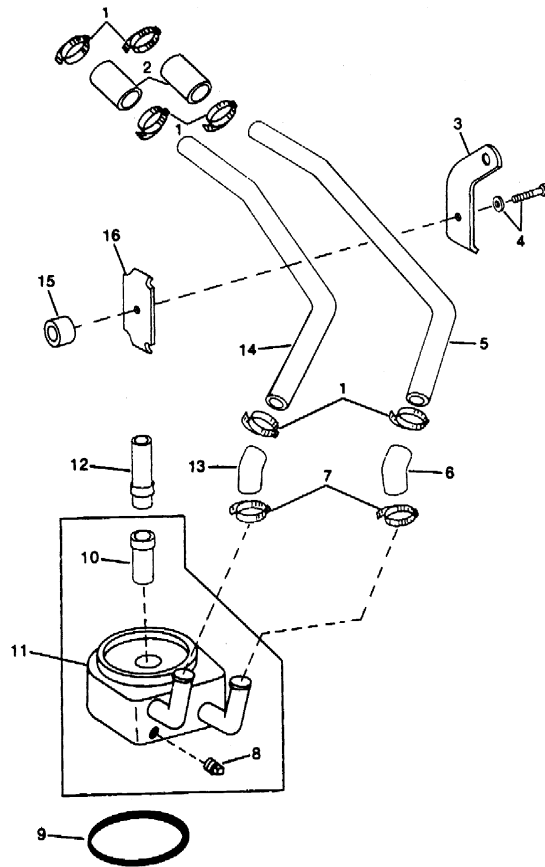
* See table "4039 Engine Serial Number-Contingent Fuel Filters" below for 4039 engine models

4039 Engine Serial Number-Contingent Fuel Filters

Use the engine serial number to verify the fuel filter type on 4039 engine models. Find your serial number on the engine nameplate and choose the fuel filter type from the chart below. The round filter (variation 2) is shown on the previous page.

Model	Serial Number	Fuel Filter Type
20-40ROZJ	334216 and before	Square
	After 334216	Round
50/60ROZJ	334607 and before	Square
	After 334607	Round

Group 21c: Oil Cooler



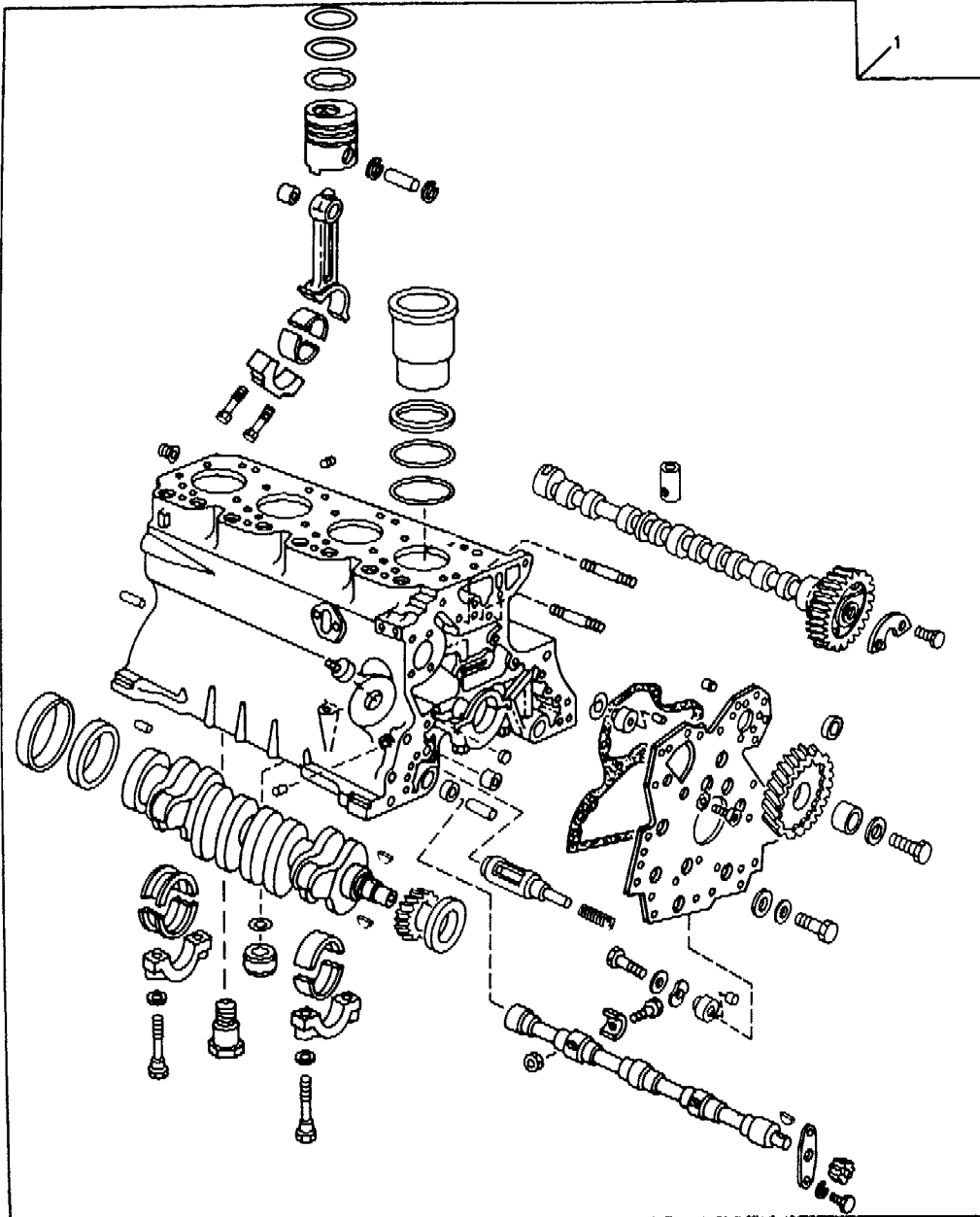
Reproduced by permission of Deere & Company.
 © 1988 Deere & Company. All rights reserved.

TP26821

Item	Part Number	Description	Quantity	
			Variation Number	
			1	2
1	#	Clamp	6	6
2	#	Hose, .625 ID x 1.0 OD x 20 in.	2	
2	336464	Hose		2
3	224022	Flange	1	
3	336466	Clamp		1
4	#	Screw	1	1
5	223510	Tube, lower	1	
5	336462	Tube, lower		1
6	224061	Hose, lower	1	
6	336463	Hose, lower		1
7	#	Clamp	2	2
8	223493	Plug, drain	1	
9	223506	Washer	1	1
10	360777	Valve, relief	1	
11	224085	Cooler, oil	1	
11	336460	Cooler, oil		1
12	223661	Nipple, threaded	1	
12	336465	Nipple, threaded		1
13	224061	Hose, upper	1	
13	336463	Hose, upper		1
14	223509	Tube, upper	1	
14	336461	Tube, upper		1
15	224334	Washer, spacer	1	
15	336467	Washer, spacer		1
16	224023	Clamp	1	
16	336466	Clamp		1

Common hardware, procure locally.

Group 42: Short Block



Reproduced by permission of Deere & Company.
 © 1988 Deere & Company. All rights reserved.

TP23754

Item	Part Number	Description	Quantity			
			Variation Number			
			1	2	3	4
1	223588	Block assembly, short	1			
1	360520	Block assembly, short		1		
1	360521	Block assembly, short			1	
1	GM17536	Block assembly, short				1

Note: Also order a front oil seal, rear oil seal, gasket kit, and balancer shafts.

CLICK HERE TO **DOWNLOAD** THE COMPLETE MANUAL

- Thank you very much for reading the preview of the manual.
- You can download the complete manual from: www.heydownloads.com by clicking the link below



- Please note: If there is no response to CLICKING the link, please download this PDF first and then click on it.

CLICK HERE TO **DOWNLOAD** THE COMPLETE MANUAL