

Form No.
907286

6625

Skid Loader

SN 7605 and Later
Equipped with Perkins 204-30 Engine



SERVICE PARTS MANUAL

GEHL[®]

CLICK HERE TO **DOWNLOAD** THE COMPLETE MANUAL

- Thank you very much for reading the preview of the manual.
- You can download the complete manual from: www.heydownloads.com by clicking the link below



- Please note: If there is no response to CLICKING the link, please download this PDF first and then click on it.

CLICK HERE TO **DOWNLOAD** THE COMPLETE MANUAL

SL6625 - LIFT ARM & GEHL QUICK-TACH™ SYSTEM

Ref. No.	Part No.	Description	Quantity
1	127533	LIFT/ARM ASSEMBLY (INCLUDES ITEMS 10 & 3)	1
	570005	FITTING/GREASE	2
2	078981	PIN/PIVOT	2
	650733	CS 5/16 X 2-1/2 (NILN)	2
3	079204	BUSHING/LIFT ARM	8
4	067888	GROMMET	1
5	089079 _a	PIN/KLIK	1
	064861 _b	PIN/KLIK	1
6	123826 _a	ARM/SAFETY ASSEMBLY	1
	079205 _b	ARM/SAFETY ASSEMBLY	1
7	092576	STOP/LIFT ARM	4
8	9H240 _b	SCREW/CAP	2
	570014	FITTING/GREASE	2
9	079279	PIN/ATTACHMENT	2
	650650	CS 1/2 X 3-1/2	2
10	092577	BUSHING/LIFT ARM	2
11	079142 _b	ROD/SPRING ASSEMBLY	2
	655016	PIN/COTTER 3/16 X 1	2
12	079148 _b	HANDLE/ASSEMBLY	1
	651017	HHCS 3/4 X 3-3/4 (NILN)	1
13	079131 _b	ATTACHMENT/ASSEMBLY	1
14	079022	PIN/TILT CYLINDER	2
	650733	CS 5/16 X 2-1/2 (NILN)	2
15	H8049	SPRING/STALK GUIDE	2
16	073776 _b	WASHER	2
17	079147 _b	PIN/ATTACHING	2
	650850	CS 1/2 X 2-3/4 (NILN,4P)	2
18	128367 _a	QUICK-TACH™ WELDMENT	1
19	128368 _a	HANDLE/ASSEMBLY	1
20	121707 _a	LINK/PIN LATCH	2
21	114883 _a	PIN/ATTACHMENT	2
22	128584 _a	CAP/GREASE	2
23	570002 _a	ZERK/GREASE	2
24	065054 _a	PIN/ROLL	2
25	087854	PAD/ARM BRACE	1
26	074860	STEM/RUBBER	1

a) SN7945 and later.

b) Before SN7945

Ref. No.	Part No.	Description	Quantity
1	079282	HOSE/ 5/8 X 66	2
2	128522 _a	TUBE/VALVE-TILT RIGHT	1
3	128300 _c	TUBE/VALVE-TILT UPPER	1
4	128301 _c	TUBE/VALVE-TILT LOWER	1
5	079112	TUBE/VALVE-SELF LEVEL	2
6	127511	TUBE/SELF-LEVEL	1
7	054819	CONNECTOR/STRAIGHT	6
8	067761	ELBOW/90 DEGREE	1
9	079108	ELBOW/ 90 DEGREE	1
10	128844	VALVE/SELF-LEVEL	1
	652040	CB 5/16 X 2-1/2 (NILN)	2
11	079280	HOSE/1/2 X 24	4
12	078981	PIN/PIVOT	2
	650547	CS 5/16 X 3-1/2 (NILN)	2
13	088937	CLAMP/TUBE	2
14	079283	TUBE/CYLINDER REAR	2
15	075235	ELBOW/90 DEGREE	1
16	128868	CYLINDER/LIFT	2
	570005	FITTING/GREASE 90 DEGREE	2
	570002	FITTING/GREASE SHORT	2
17	127620	PIN/LIFT CYLINDER FRONT	2
	650733	CS 5/16 X 2-1/2 (NILN)	2
18	079284	TUBE/CYLINDER FORWARD	1
19	079121	TUBE/SELF-LEVEL TILT	1
20	067460	FITTING/TEE	2
21	079120	TUBE/SELF-LEVEL TILT	2
22	079175	TUBE/SOLENOID LIFT RIGHT	1
23	079111	TUBE/VALVE SOLENOID	1
24	129314 _e	VALVE/SOLENOID	2
	122900 _f	VALVE/SOLENOID	2
25	127972	TUBE/TILT CYLINDER CURL	1
26	072580	CONNECTOR/STRAIGHT	5
27	079122	TUBE/SOLENOID LIFT	1
28	123444	CYLINDER/TILT	2
	570005	FITTING/GREASE 90 DEGREE	4
29	079022	PIN/TILT CYLINDER	2
	650733	CS 5/16 - 2-1/2 (NILN)	2
30	062397	ELBOW 45 DEGREE MALE	4
31	123725	PIN/TILT CYLINDER	2
	540020	RETAINING RING	2
	650733	CS 5/16 X 2-1/2 (NILN)	4
32	128632	HOSE/ 3/8 X 15	4
33	122649	CLAMP/TUBE	1
34	127971	TUBE/TILT CYLINDER DUMP	1
35	072587	CONNECTOR/STRAIGHT	1
36	056089	FITTING/TEE	2
37	079423 _b	TUBE/VALVE TILT RIGHT	1
38	079119 _d	TUBE/VALVE TILT	1

a) SN7956 and later.

b) Before SN7956.

c) SN7928 and later.

d) Before SN7928.

e) SN8401 and later.

f) Before SN8401.

SL6625 - AIR CLEANER & MUFFLER

Ref. No.	Part No.	Description	Quantity
1	127481	SUPPORT/AIR CLEANER	1
	650492	CS 3/8 X 2-1/2 (8P, NILN)	4
2	078912	BAND/MOUNTING	2
	650487	CS 5/16X1 (P, NILN)	4
3	129770	CLEANER/DUAL AIR (INCLUDES ITEMS 1 TO 9)	1
4	087860	ELEMENT/OUTER	1
5	087859	ELEMENT/INNER	1
6	129769	CUP/AIR CLEANER	1
7	420-32432	BAFFLE	1
8	078936	WING NUT	2
9	091869	CLAMP	1
10	087982 _c	VALVE/VACUATOR	1
11	078914	GAUGE/RESTRICTOR	1
12	127987	HOSE/INTAKE	1
13	087849	CLAMP/HOSE	1
14	131560	BAND/MUFFLER	1
	653010	3/8 NUT (P,L)	1
15	128363 _a	MUFFLER	1
16	078931	CLAMP/MUFFLER	1
17	127473	SPACER	4
18	123886	PIPE/MUFFLER	1
19	127445	SUPPORT/MUFFLER	1
	650491	CS 3/8X1-1/4 (2P, NILN)	1
20	127428	CLAMP/MUFFLER	1
21	127396	PIPE/TAIL	1
22	128230 _b	PLATE/HEAT SHIELD	1
	650486	CS 5/16X3/4 (2P, NILN)	2
	650490	CS 3/8X1 (2P, NILN)	2
23	128231 _b	BRACE/HEAT SHIELD	1
	650448	CS 1/4X3/4 (P, NILN)	1
24	123922 _b	MUFFLER	1
25	133084	GASKET/EXHAUST PIPE	1

a) SN7945 and Later.

b) Before SN7945.

c) Before SN8401

SL6625 - TRACTION CONTROLS (HAND/FOOT)

Ref. No.	Part No.	Description	Quantity
1	122484	HANDLE/CONTROL	2
	050270	PIN/ROLL	1
2	074093	BOOT/RUBBER	2
3	121578	BRACKET/TRUNNION RIGHT	2
	650486	CS 5/16 X 3/4 (NILN)	4
4	063719	SPACER	2
5	065057	BEARING/NEEDLE	2
6	056937	WASHER	AR
7	123668	TAB ASSEMBLY	1
	075288	PIN/ROLL	1
8	123672	SPACER	2
9	079216	END/ROD	3
	651062	5/16NF NUT (P,L)	3
10	123280	BRACKET/TRUNNION LEFT	2
	650486	CS 5/16 X 3/4 (NILN)	4
11	060505	BEARING/NEEDLE	4
12	060508	TRUNNION	1
	076002	ZERK/GREASE	1
13	079042	JOINT/BALL	5
	650898	CS 5/16 NF X 1 (NILN)	2
14	123667	TRUNNION ASSEMBLY	1
	076002	ZERK/GREASE	1
	075288	PIN/ROLL	1
15	123722	ROD/TAKE UP	2
	653036	5/16NF JAM NUT	4
16	088239	ARM/PIVOT	2
	075288	PIN/ROLL	2
17	128892 _a	BRACKET/BEARING	2
	650487	CS 5/16 X 1 (NILN)	4
	078990 _b	BRACKET/BEARING	2
	650487	CS 5/16 X 1 (NILN)	4
18	128316	BUSHING/PIVOT	4
19	127480	LINK/CONTROL	2
	650545	CS 5/16 X 1-1/4 (NILN)	4
20	079042	JOINT/BALL	4
	653036	5/16 NF JAM NUT	2
21	127360	BUSHING	AR
22	089092	TUBE/TORSION ASSEMBLY	1
23	089091	LINK/OUTPUT ASSEMBLY	1
	075288	PIN/ROLL	1
24	075287	HUB/PIVOT	1
	075288	PIN/ROLL	1
25	123637	SHAFT/PIVOT	1
26	113472	NUT/SPRING	4
27	122095	ABSORBER/SHOCK	2
	650552	3/8 NF JAM NUT	4
28	123601	SPACER	2

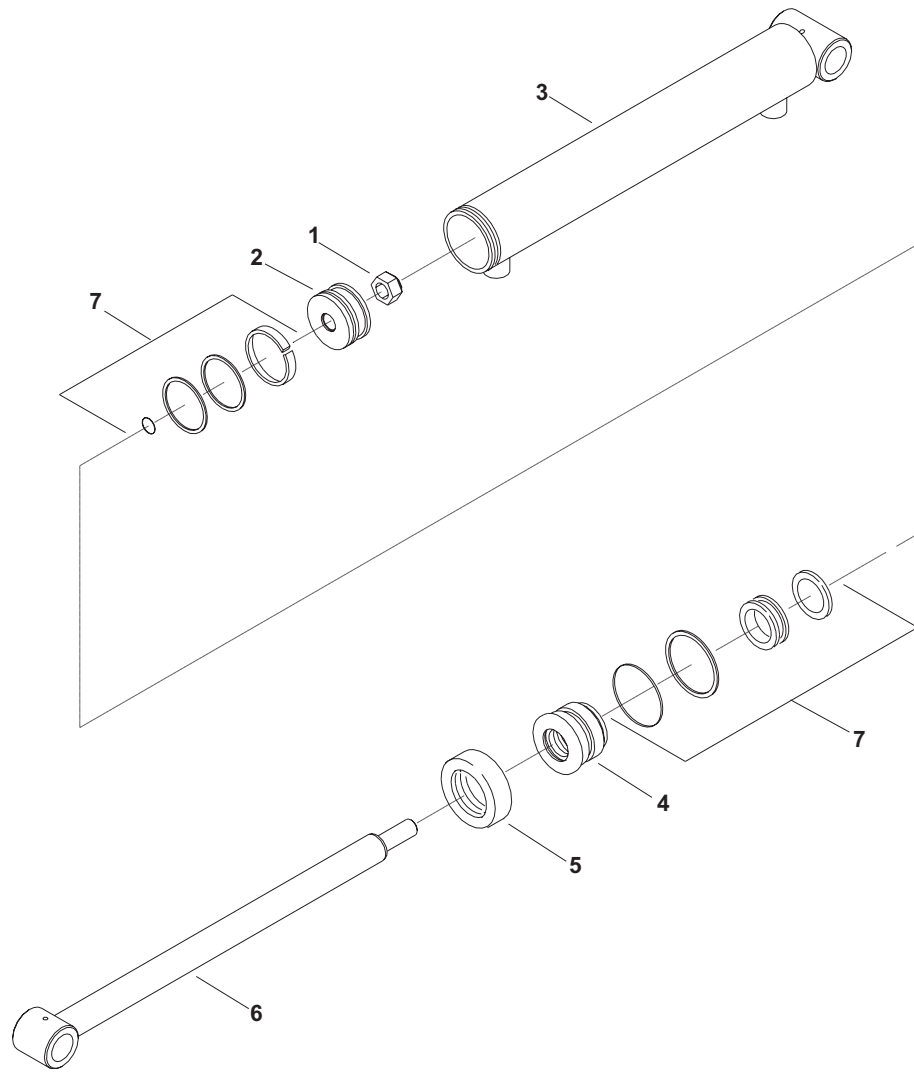
a) SN8004 and later.

b) Before SN8004.

SL6625 - RESTRAINT BAR

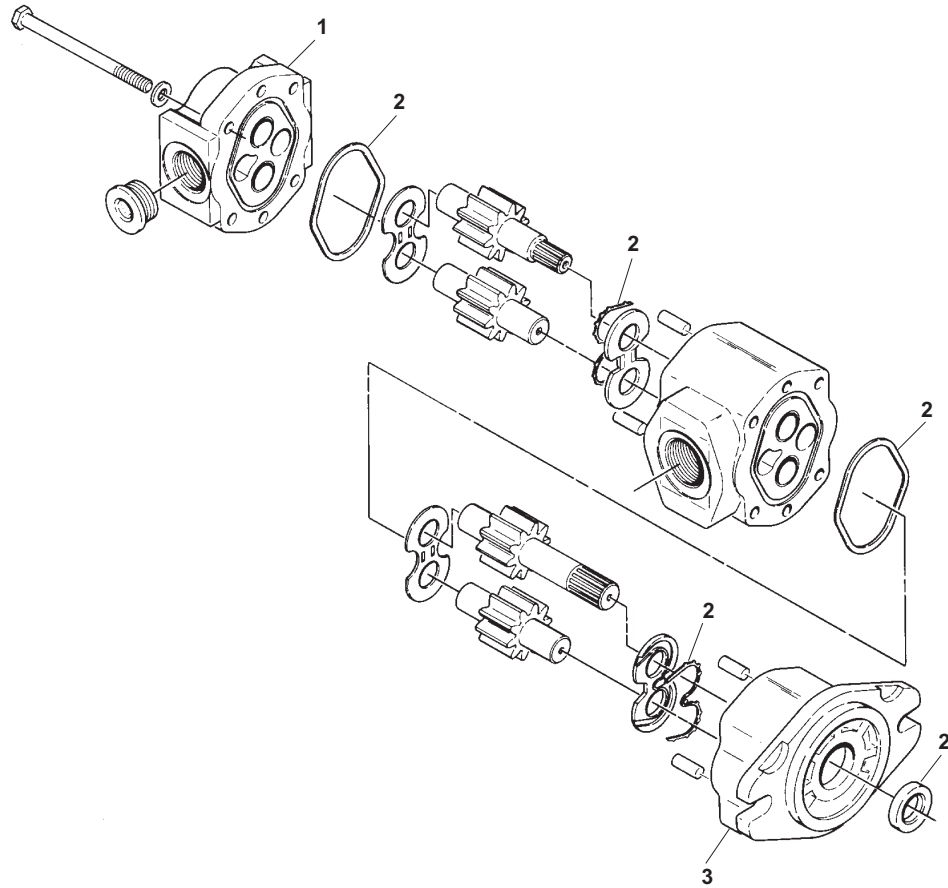
Ref. No.	Part No.	Description	Quantity
1	078736	BAR/RESTRAINT	1
2	078734	COVER/PIVOT	2
3	128979	BRACKET/PIVOT RIGHT	2
4	128984	BRACKET/PIVOT LEFT	2
5	078730	SHAFT/PIVOT	2
6	121610	BEARING/PIVOT UPPER	2
7	078942	SPRING/COMPRESSION	2
8	078723	ACTUATOR/SPRING ASSEMBLY	2
	650551	PIN/COTTER	2
9	128316	BUSHING/PIVOT	12
10	056937	WASHER	AR
11	067950	RING/EXTERNAL RETAINING	4
12	128943	SPACER/LIMIT SWITCH	1
13	128920	SWITCH/RESTRAINT BAR	1
14	079265	SPACER	4
	650495	CS 1/2 X 1-1/4 (P, L)	4
15	128872	WIRE ASSEMBLY/LIMIT SWITCH	1

TILT CYLINDER



Ref. No.	Part. No.	Description	Quantity
	123444	TILT CYLINDER	
1	080313	NUT/LOCK 1-14 UNC	1
2	080312	PISTON	1
3	080320	WELDMENT/TUBE	1
4	080308	GLAND	1
5	080309	HEADCAP/GLAND	1
6	123424	WELDMENT/ROD	1
7	080307	SEAL KIT	1

DUAL GEAR PUMP



Ref. No.	Part. No.	Description	Quantity 6625DX
	127547	DUAL GEAR PUMP	
1	087194	COVER/REAR PORTS	1
2	087188	SEAL KIT	1
3	083241	BODY/ASSEMBLY	1

68 INCH INDUSTRIAL BUCKET AND GRAPPLE

LATER MODELS

Ref. No.	Part. No.	Description	Quantity
	806323	INDUSTRIAL GRAPPLE	
1	128239	COVER/FRONT	2
	650490	CS 3/8 X 1 (NILN)	8
2	128238	COVER/TOP	2
3	079097	CLAMP/TUBE	2
4	079098	PLATE/TWIN	2
5	088046	FITTING/ADAPTER	2
6	122864	COUPLER/MALE	1
7	122865	COUPLER/FEMALE	1
8	128075	TUBE	2
9	123950	PIN/FORK	2
10	127408 _a	CYLINDER/HYDRAULIC	2
11	096494	PIN/FORK	4
12	073458	STRIP/NON-SKID	1
13	123949	COVER/TUBES	1
	650533	CS 3/8 X 1-1/2	2
14	129660	WASHER	1
15	062400	TEE/UNION	2
16	128351	HOSE/ASSEMBLY	2
	128503	COVER/NYLON HOSE (NOT SHOWN)	1
17	570002	FITTING/GREASE	8
18	072530	BUSHING/LOAD ARM	8
19	083037	FORK/INDUSTRIAL GRAPPLE	2
20	083068	CONVERTER/BUCKET	2
21	096445	BUCKET/INDUSTRIAL 68 INCH	1
22	096495	PIN/CYLINDER	2
23	128223	HOSE/36 INCH ASSEMBLY	2
	128423	COVER/NYLON HOSE (NOT SHOWN)	2
	055648	TIE/WIRE	6
24	128228	HOSE/31 INCH ASSEMBLY	2
25	096448	EDGE/CUTTING 68 INCH	1

a) For breakdown, see the pages titled "Hydraulic Components."

CLICK HERE TO **DOWNLOAD** THE COMPLETE MANUAL

- Thank you very much for reading the preview of the manual.
- You can download the complete manual from: www.heydownloads.com by clicking the link below



- Please note: If there is no response to CLICKING the link, please download this PDF first and then click on it.

CLICK HERE TO **DOWNLOAD** THE COMPLETE MANUAL